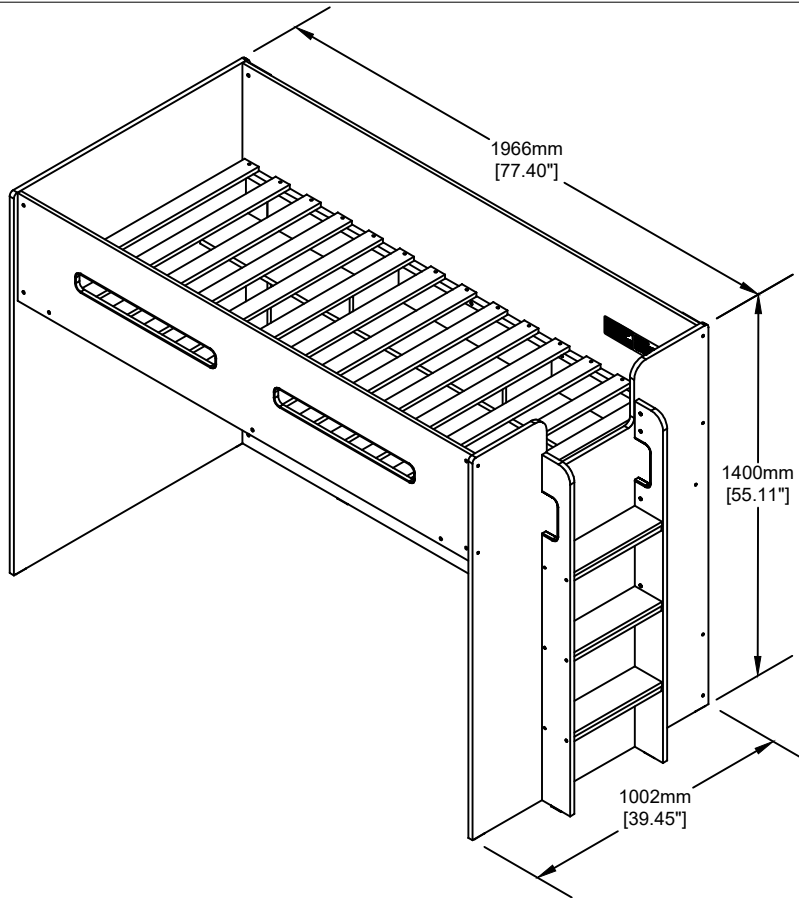


Model : IQ 7942

Product Size : 940mm x 1930mm (Base Int Size)

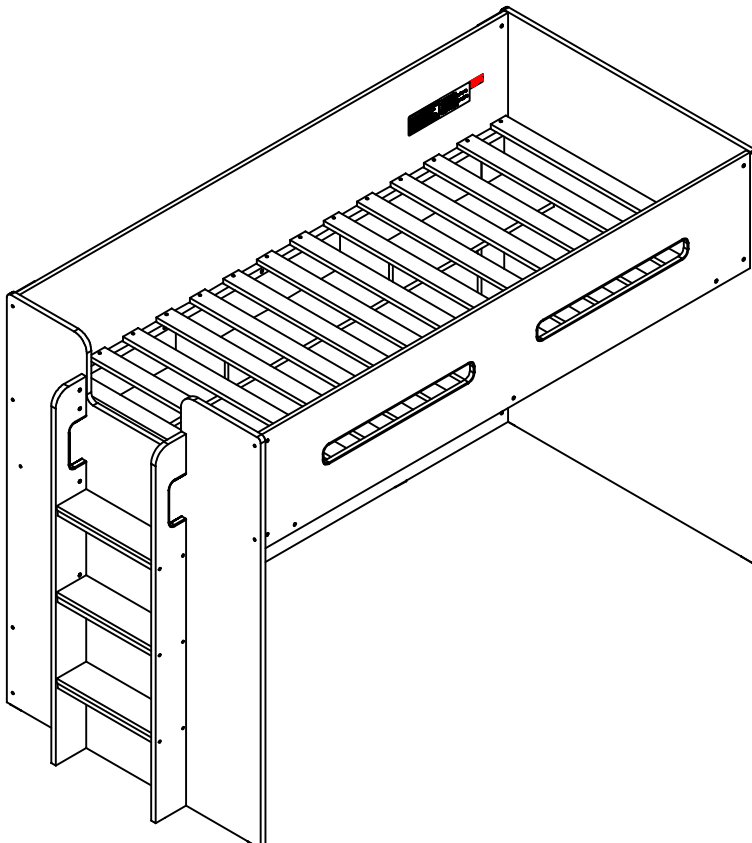
Thank you for purchasing this product. Before starting assembly we suggest you spend a short time reading through this leaflet, then follow the simple step by step guide. Two people are needed to assemble this product.

OPTION A



Page : 1 of 17

OPTION B



Page : 1 of 9
Page : 18 of 25

Page : 1 of 25

Model : IQ 7942

Product Size : 940mm x 1930mm (Base Int Size)

TOP TIPS BEFORE YOU START !

IMPORTANT- READ CAREFULLY- RETAIN FOR FUTURE REFERENCE

1. Please check that all parts & hardware are present before you start the assembly of your furniture.
2. For ease and speed of assembly, we recommend that before you commence each step of the assembly, Please identify all the parts required for that step.
3. We recommend that where possible, all items are assembled near to the area in which they will be placed in use, to Avoid moving the product unnecessarily once assembled.
4. For the protection of your furniture, particularly items of high gloss finish, we recommend that the product is placed on a Protected surface during assembly to prevent any damage.
6. During assembly please take care not to over-tighten any fittings, as this may damage the product.

CARE AND MAINTENANCE OF YOUR FURNITURE

- Please periodically check all fittings and re-tighten as necessary.
- To clean your item, please use a damp cloth and wipe clean.
- Never allow any kind of liquid to remain on your furniture. Absorption can cause wood to warp or finishes to de-laminate.
- Please do not place hot items (e.g hot drinks) directly on the wood surface.
- Please do not drag or pull your furniture.

IMPORTANT INFORMATION

1. Thickness of mattress should not exceed 185mm.
2. Children should be discouraged from playing on top of this bunk bed.
3. The bunk bed should be checked periodically by the owner to ensure that the guardrail, ladder, and other components are maintained in the correct position and state of repair and that all connectors are tight.
4. A bunk bed is not to be placed near a ceiling fan unless the distance between the closest points on the ceiling fan bunk Bed is at least 2 metres.
5. Use guardrails on both sides of upper bunk.
6. Prohibit horseplay on or under bed(s).
7. Prohibit more than one person on upper bunk.
8. Use Ladder for entering and leaving upper bunk.
9. If the bunk bed will be placed next to the wall, the guardrail that runs the full length of the bed should be placed against The wall to prevent entrapment between the bed and the wall.

STRANGULATION HAZARD:

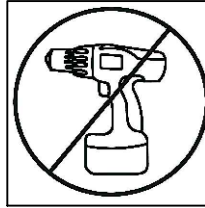
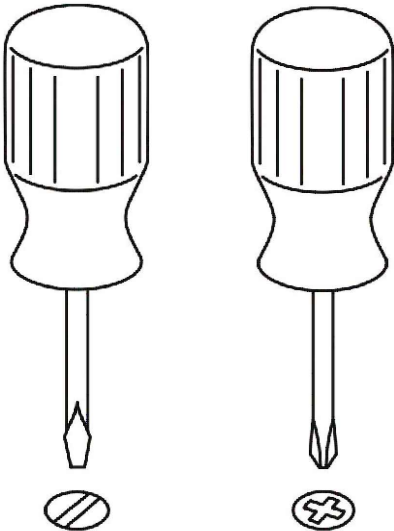
10. Never attach or hang items to any part of the bunk bed that are not designed for use with the bed for example, but not limited to hook, belt and jump ropes.

Guide To Assembly

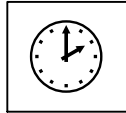
Model : IQ 7942

Tools Required For Assembly

Phillips Screw Driver



DO NOT USE POWER TOOLS TO ASSEMBLE THIS PRODUCT. USE OF POWER TOOLS WILL INVALIDATE ANY CLAIM AND MAY DAMAGE THIS PRODUCT MAKING IT UNSAFE.

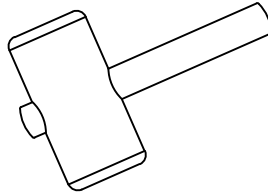


Approximately 2 hour 30 min

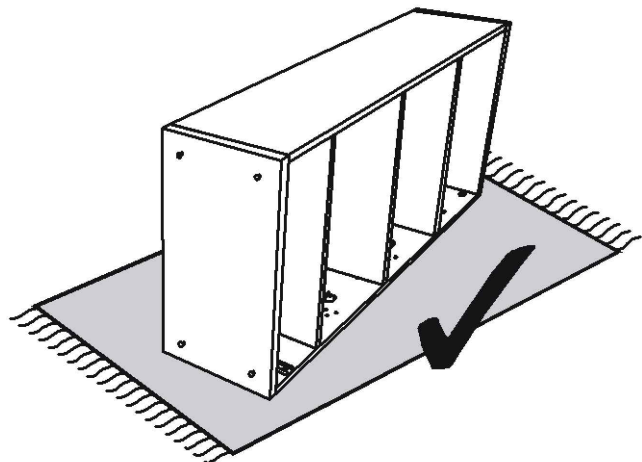
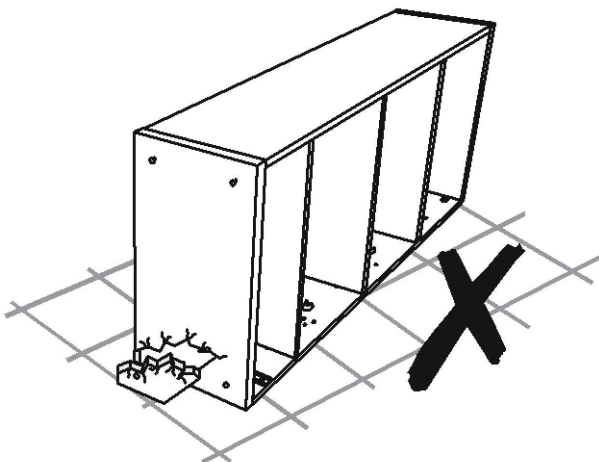
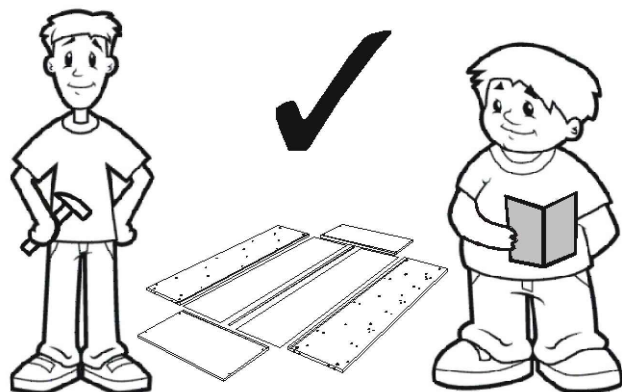
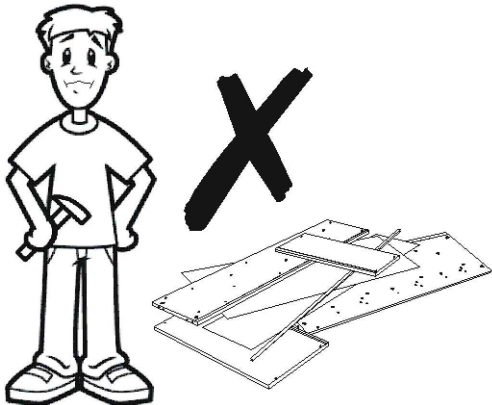
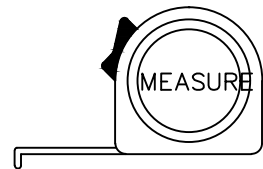


2 People Required

Rubber Hammer



Tape Measure



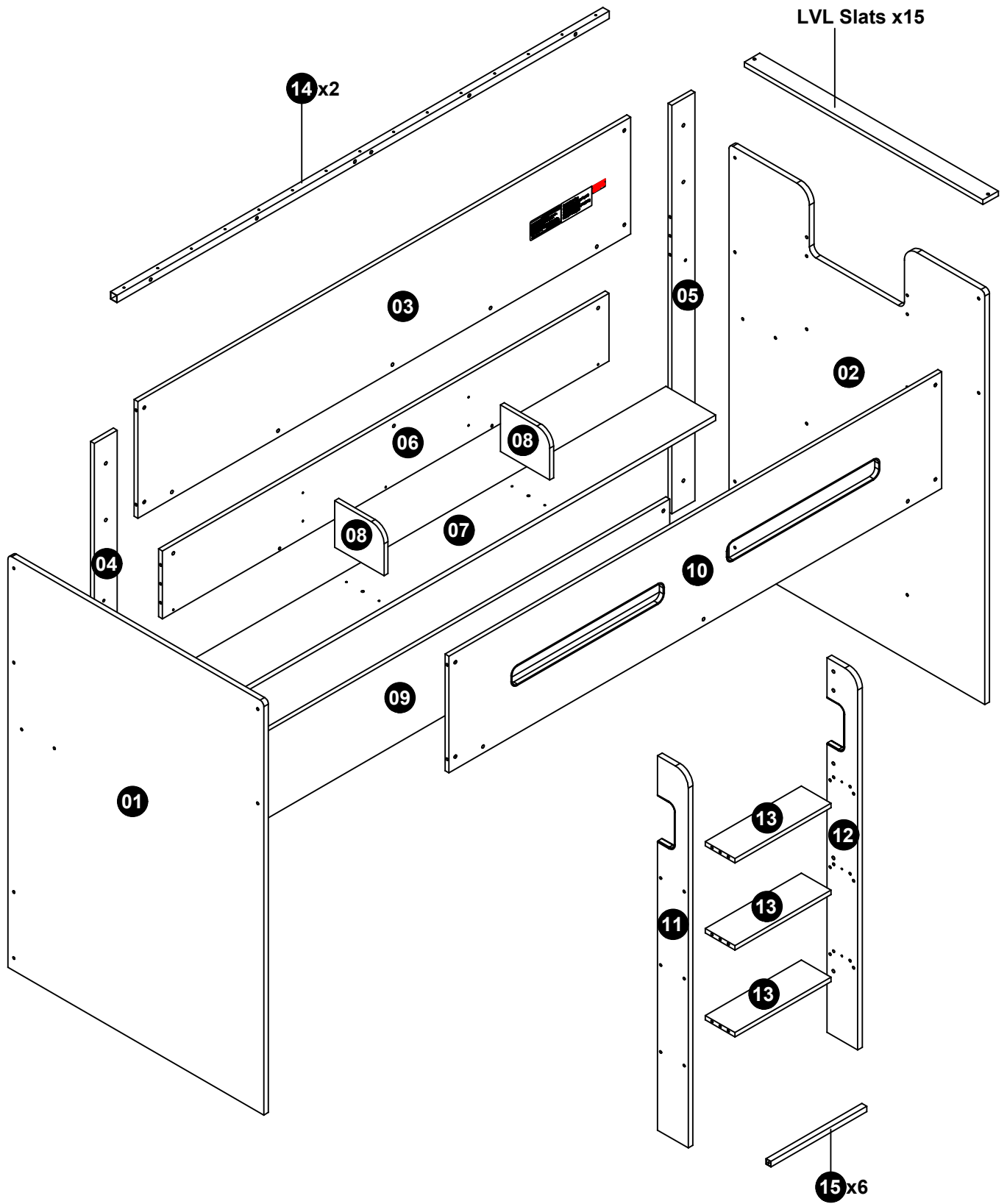
Part List

Model : IQ 7942

Carton 1 of 3			Carton 3 of 3		
No.	Part Name	Pcs	No.	Part Name	Pcs
04	Back Support Panel (Left)	1	01	Left End Panel (Headboard)	1
05	Back Support Panel (Right)	1	02	Right End Panel (Footboard)	1
08	Support Panel (Shelf)	2			
11	Left Panel (Ladder)	1			
12	Right Panel (Ladder)	1			
13	Step Panel (Ladder)	3			
	LVL Slats	15			
Assembly Instructions + Fitting List					
Carton 2 of 3					
03	Front Side Panel	1			
06	Back Support Panel (Center)	1			
07	Bottom Panel (Shelf)	1			
09	Back Side Panel (Bottom)	1			
10	Front Side Panel	1			
14	Metal Side Rail	2			
15	Ladder Support Rail	6			

Part List

Model : IQ 7942










Fitting List

Model : IQ 7942

Carton 1 of 3

Fitting List

No.	Part Name		Pcs
A	Cam Stud (small)		9
B	Cam		13
C	Contractfic Dowel		4
D	M8 x 25mm Wood Dowel		20
E	45mm Chipboard Screw		8
F	M6 x 50mm Allen Bolt		29
G	M6 x 35mm Allen Bolt		19
H	M6 x 30mm Allen Bolt		30
J	M6 x 25mm Allen Bolt		8
K	M6 x 13mm Baller		18
L	M6 Round Nut		12
M	M6 JCN NUT		6
N	M6 Allen Wrench		2
P	Felt Pads (45 x 14mm)		10
Q	Sticker 25mm		10
	Sticker 25mm		4

Caution

There are many small components used in the construction of this unit. These loose items should be kept away from young children whilst assembling your unit. As an extra precaution, screw cover caps should be permanently fixed in position. (Where applicable)

USEFUL HINTS & TIPS

Two people will be required to assemble this unit

Please keep this assembly instruction for future reference

Guide To Assembly

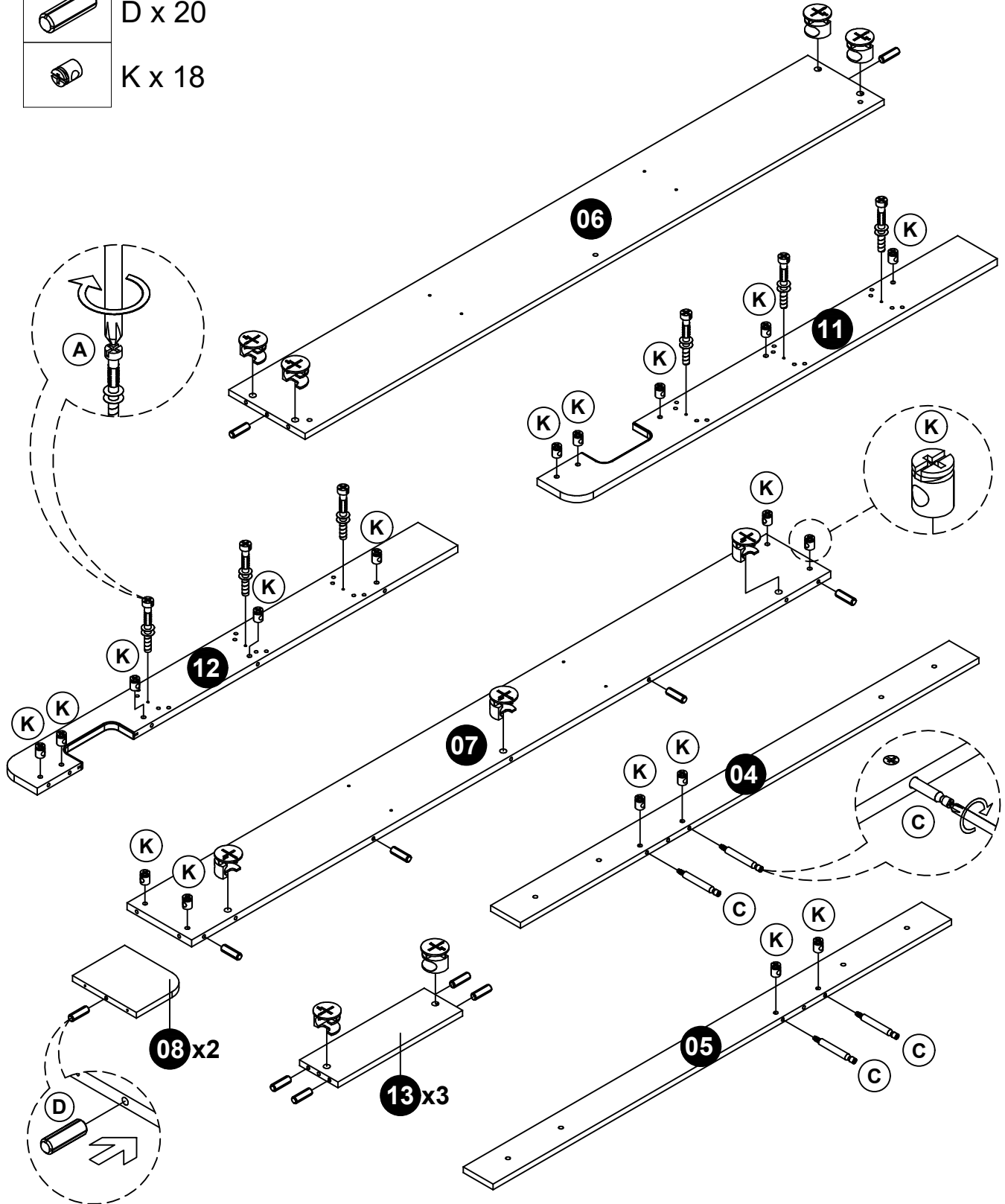
Model : IQ 7942

WHEN FITTING CAMS
 ENSURE STARTING POSITION IS CORRECT
 BEFORE YOU INSERT CONNECTING BOLT
 TURN CLOCKWISE UNTIL SECURE

✓ CORRECT

✗ WRONG

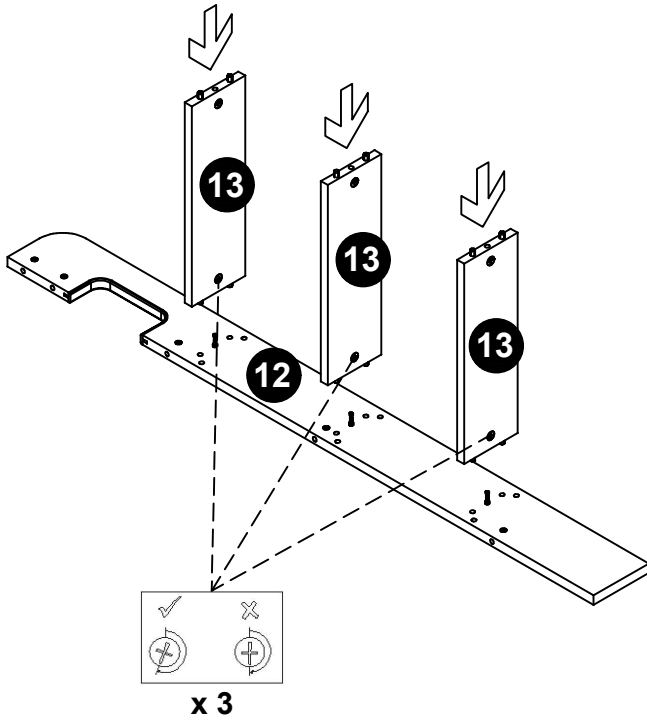
- 1
- A x 6
 - B x 13
 - C x 4
 - D x 20
 - K x 18



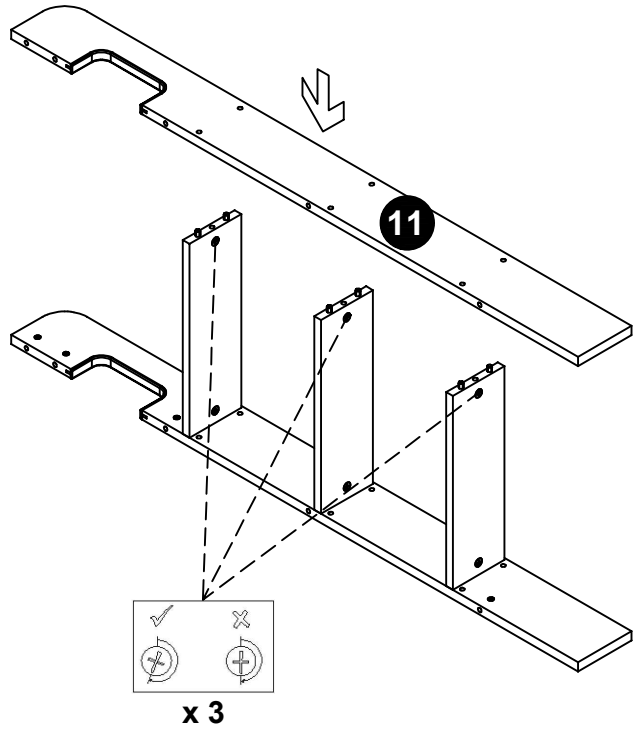
Guide To Assembly

Model : IQ 7942

2



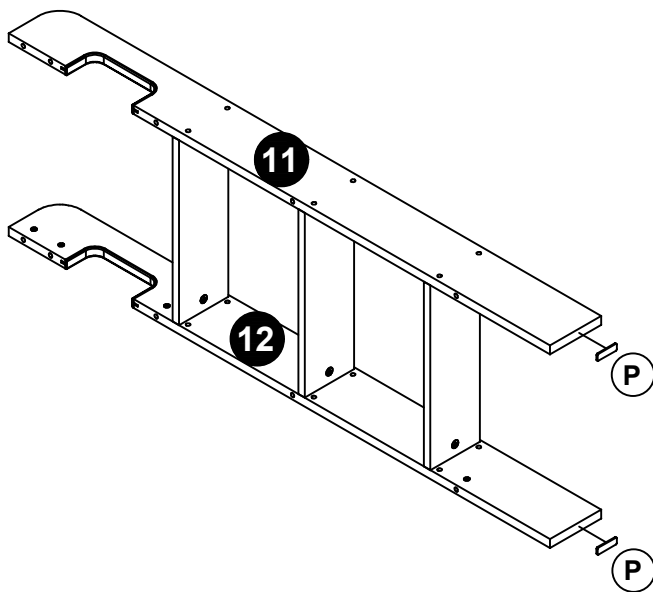
3



4



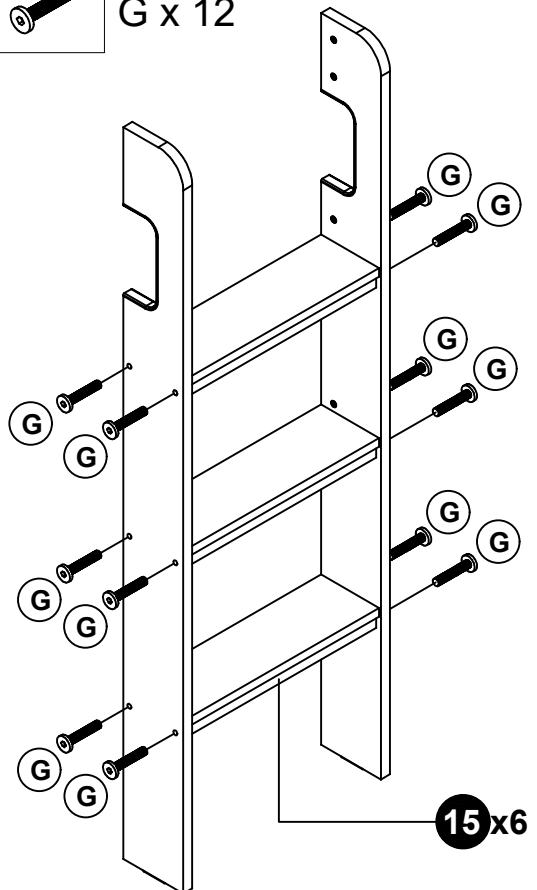
P x 2



5



G x 12



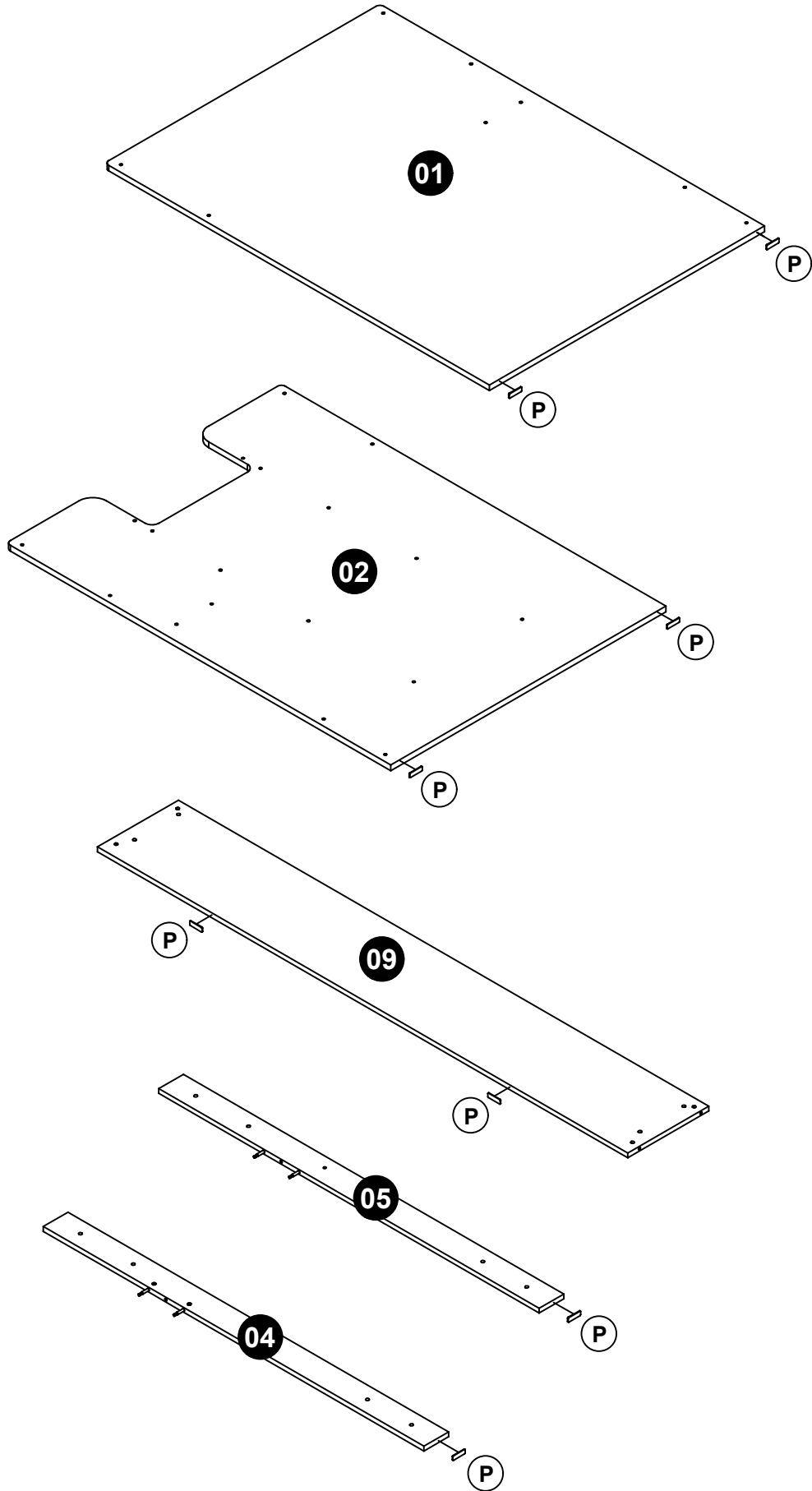
Guide To Assembly

Model : IQ 7942

6



P x 8



Guide To Assembly

Model : IQ 7942

OPTION A

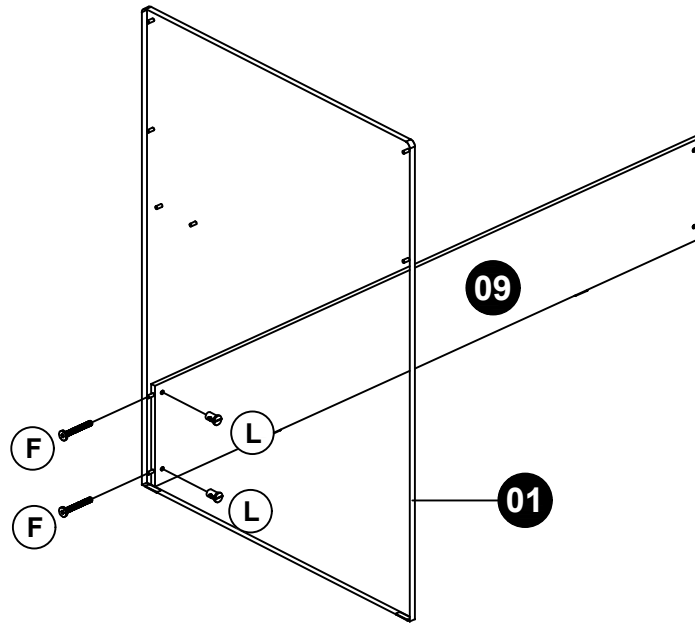
07



F x 2



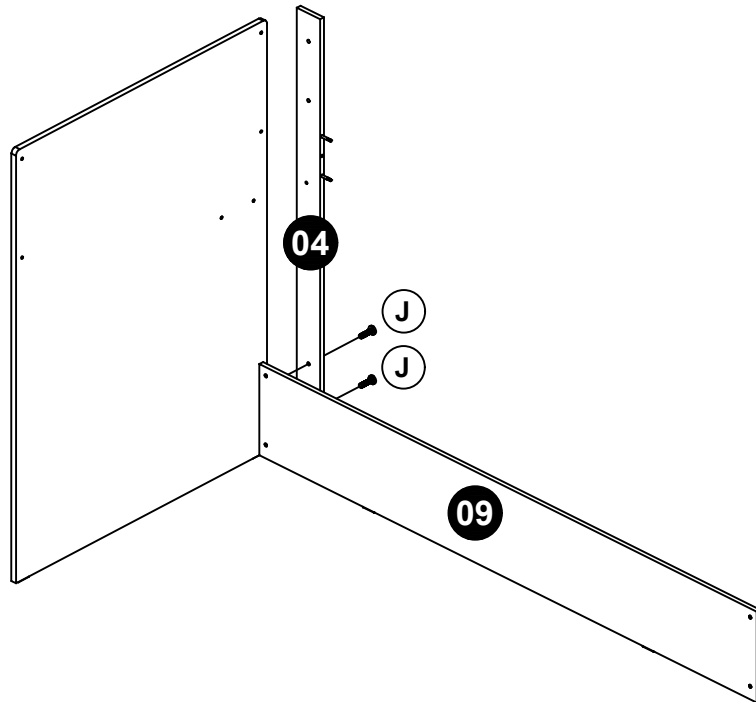
L x 2



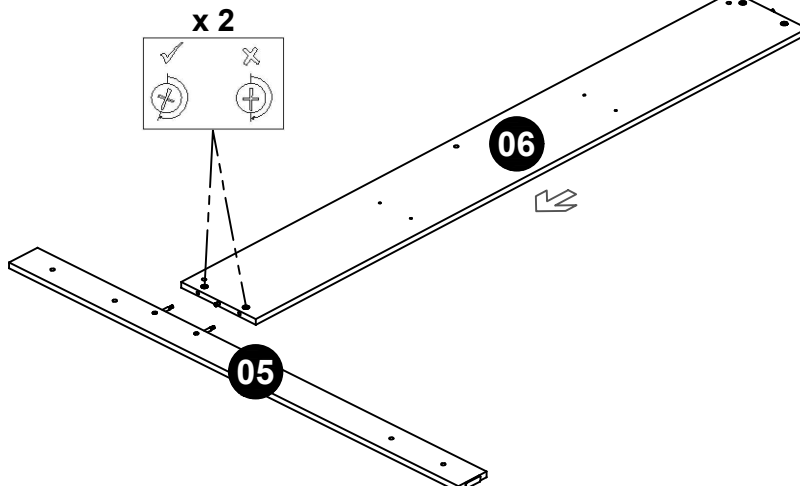
08



J x 2

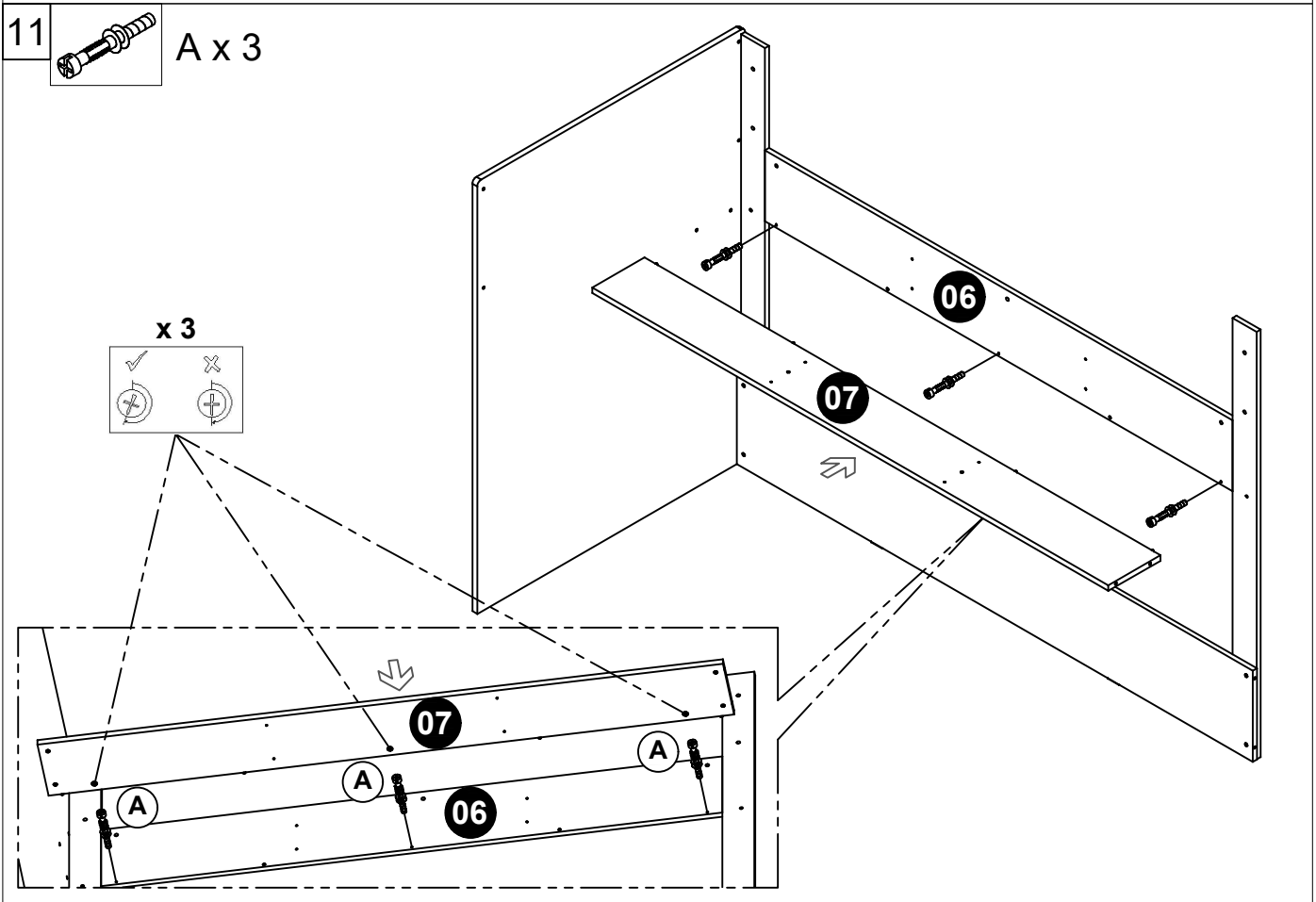
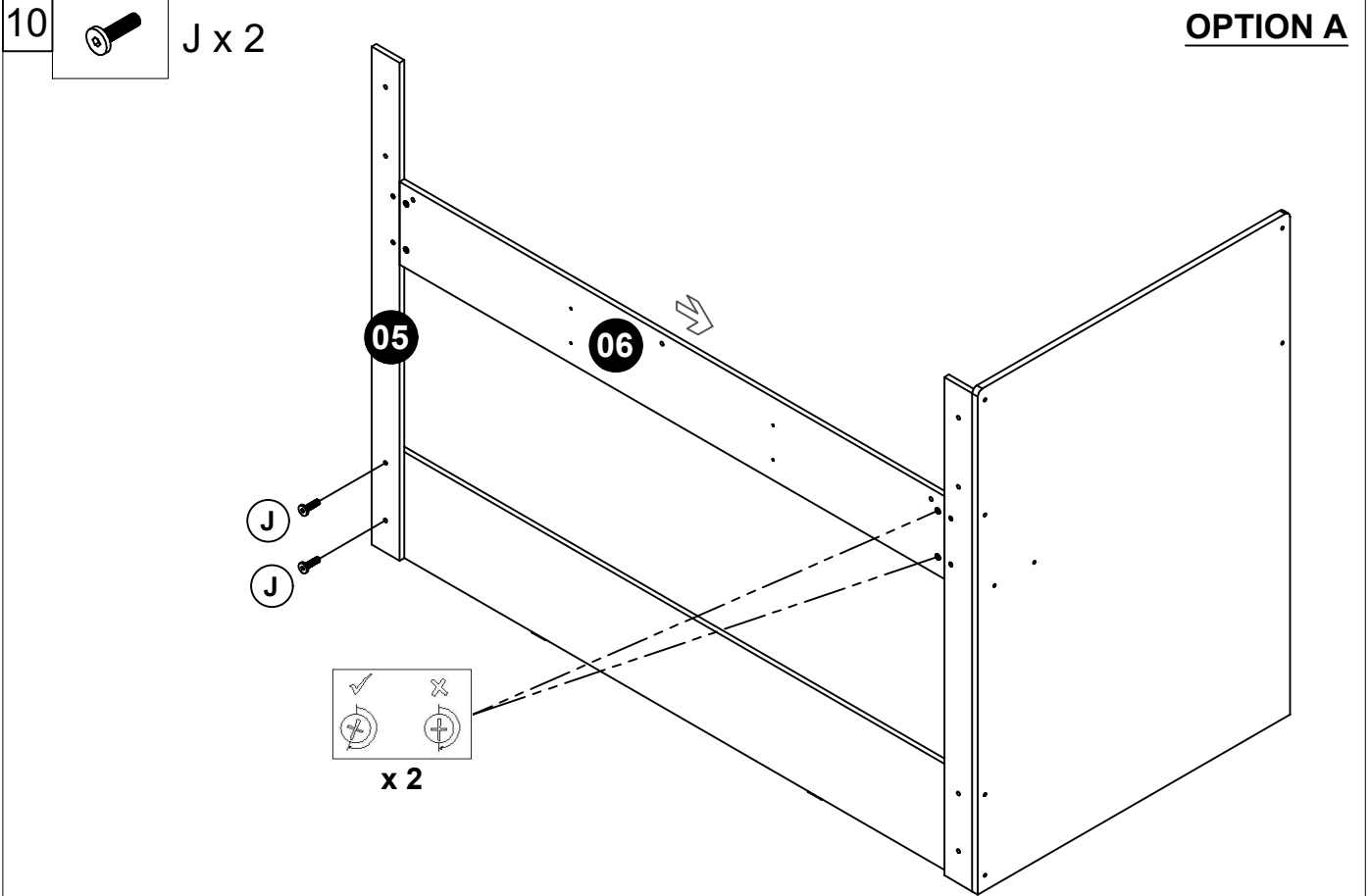


09



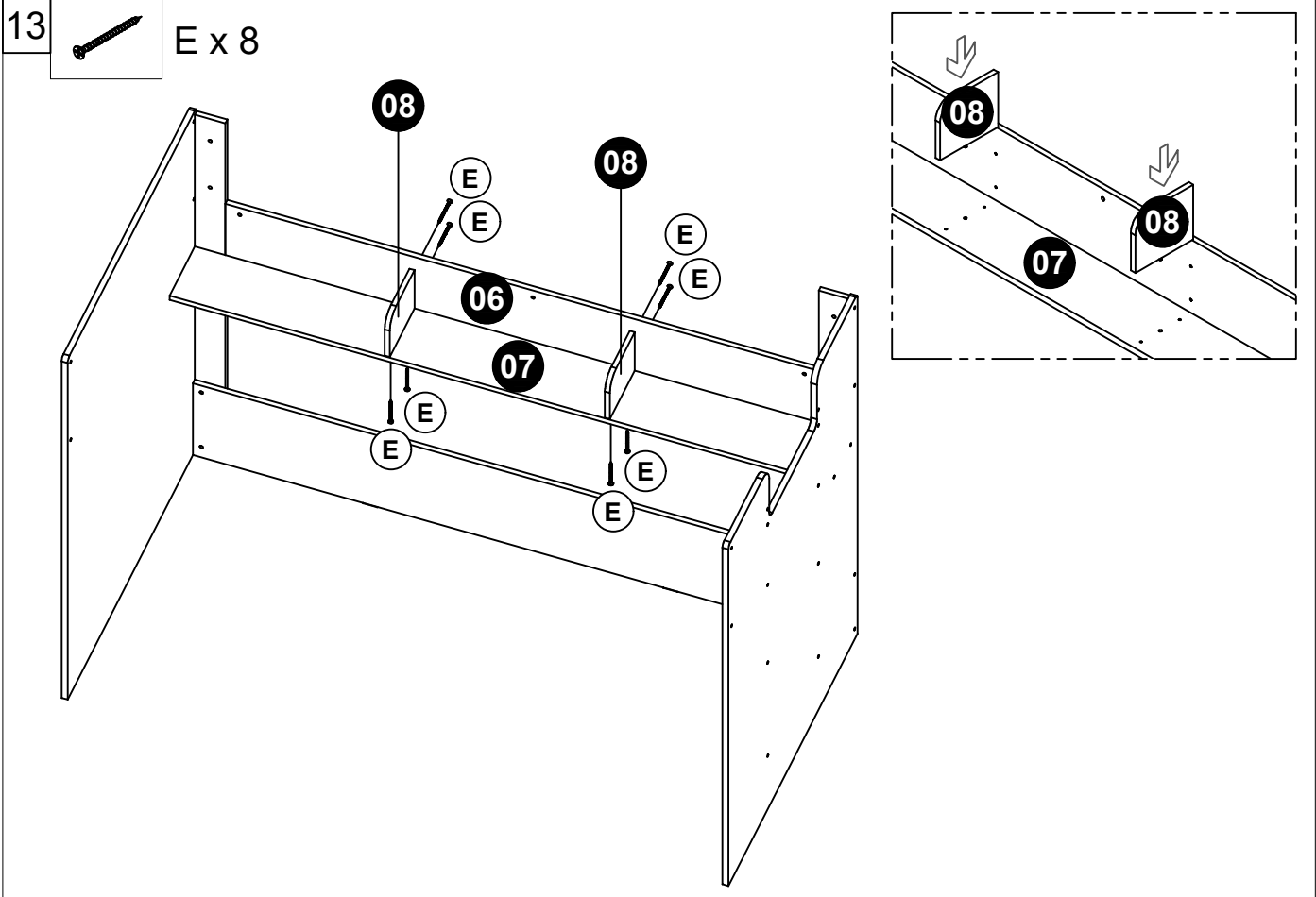
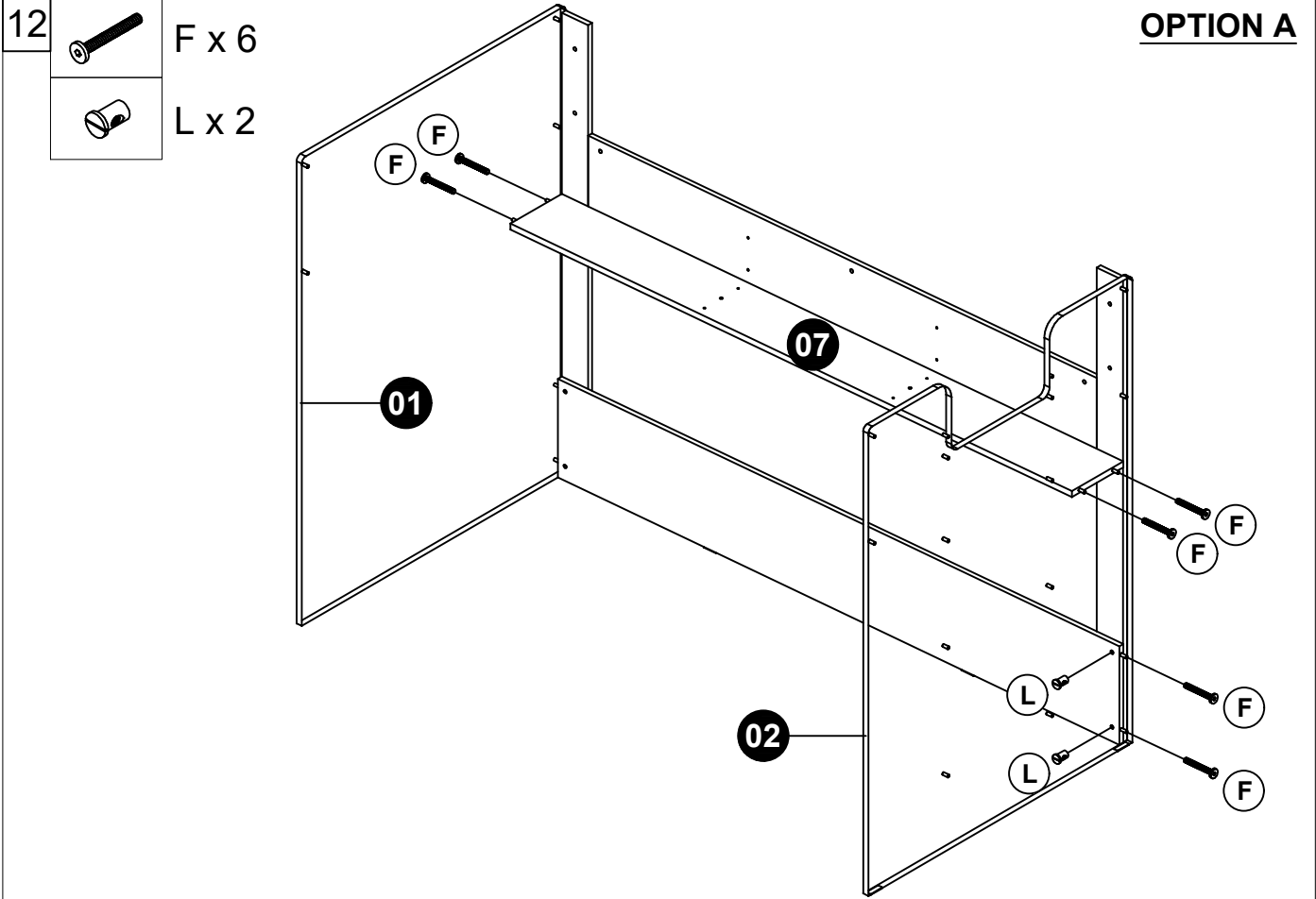
Guide To Assembly

Model : IQ 7942



Guide To Assembly

Model : IQ 7942

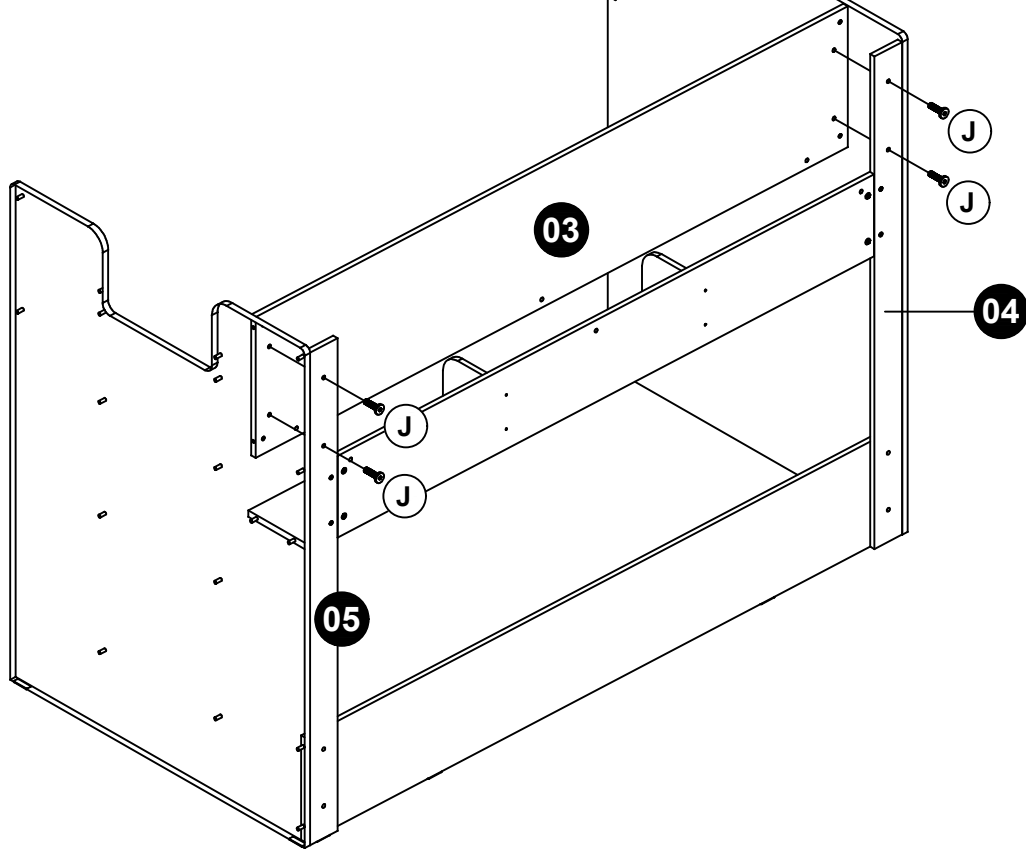




Guide To Assembly

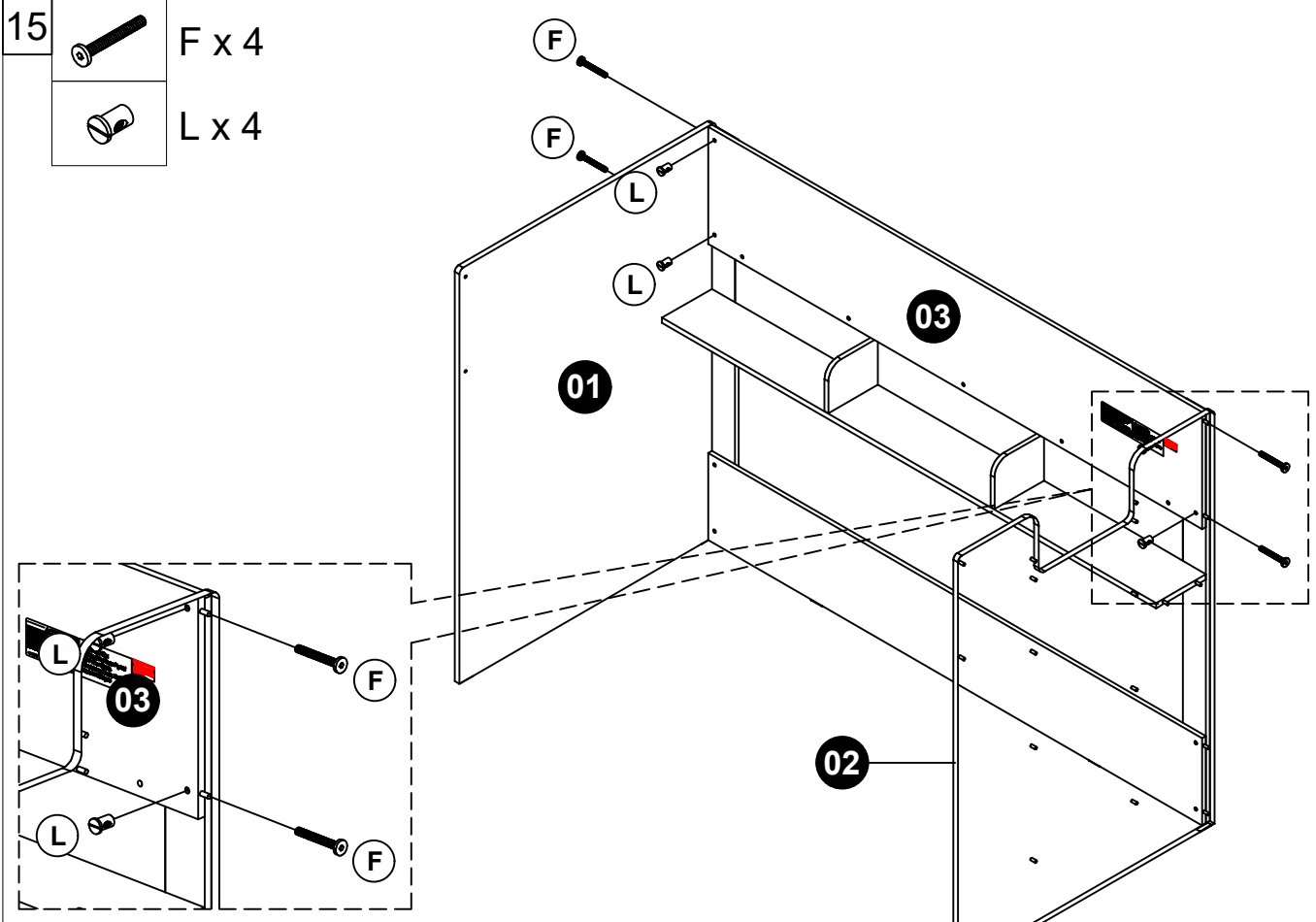
Model : IQ 7942

14  J x 4

OPTION A






15  F x 4
 L x 4

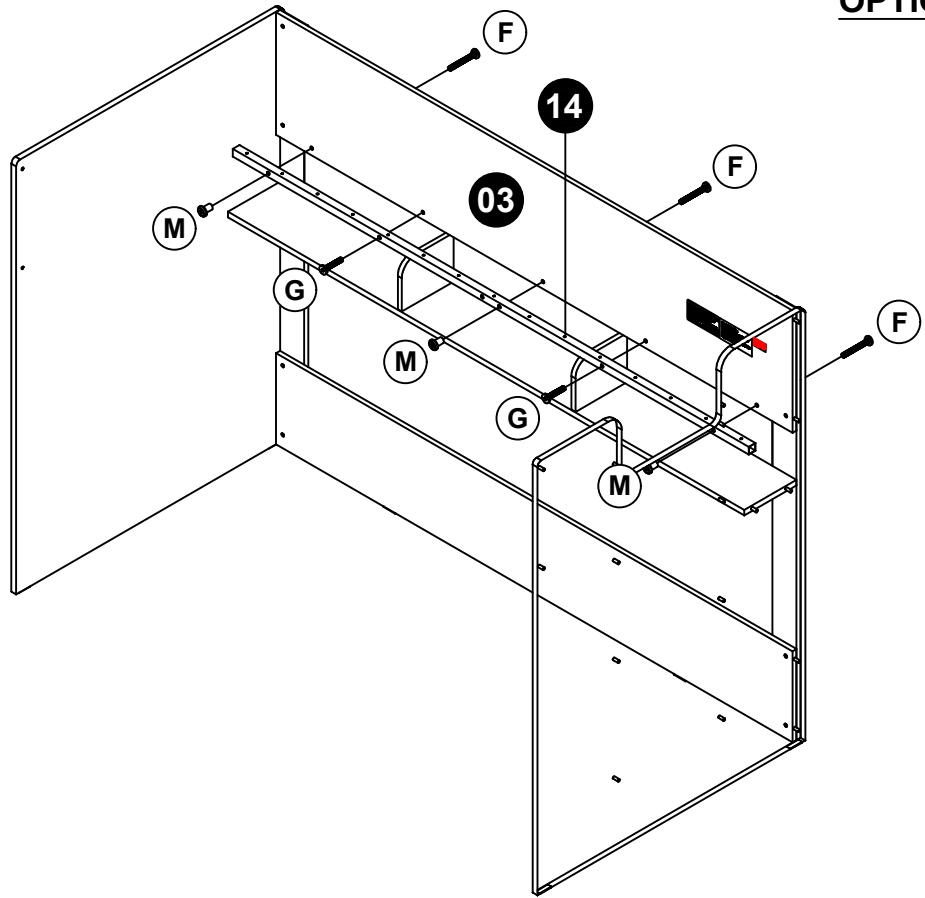




Guide To Assembly

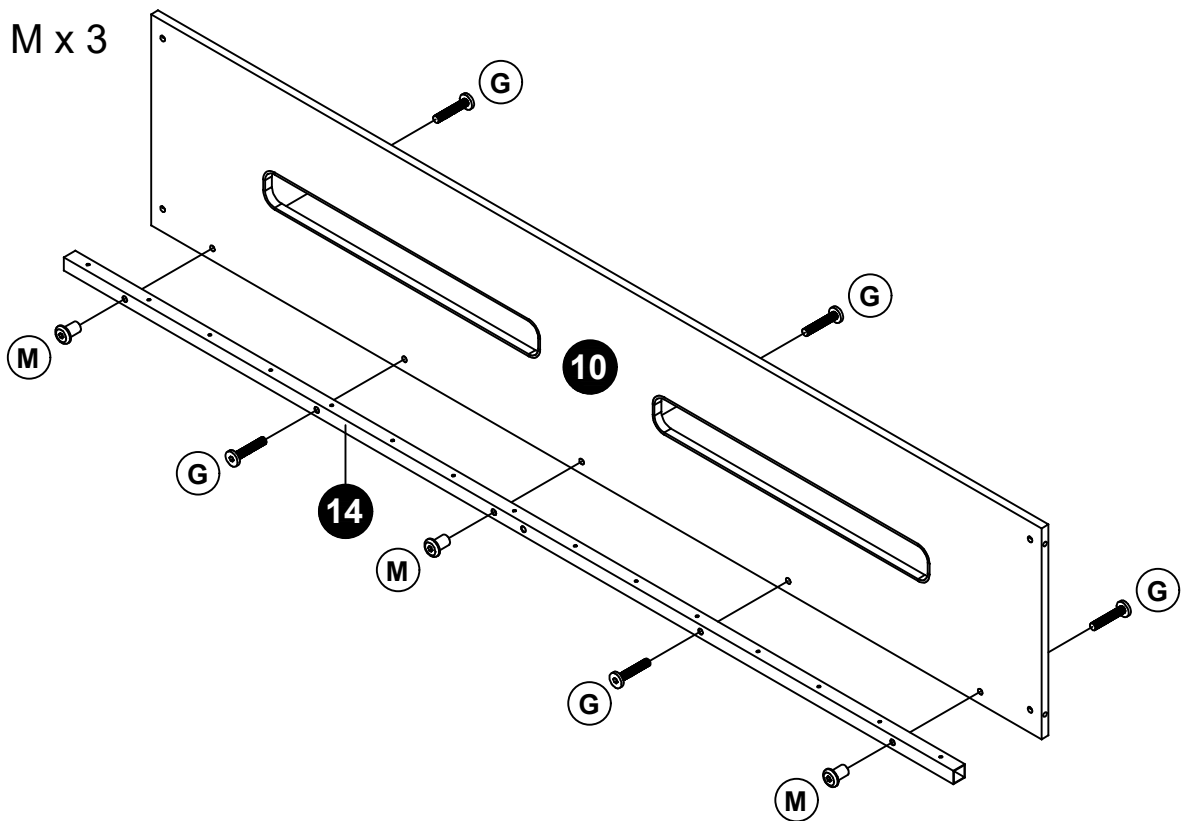
Model : IQ 7942

OPTION A

- 16
-  F x 3
 -  G x 2
 -  M x 3



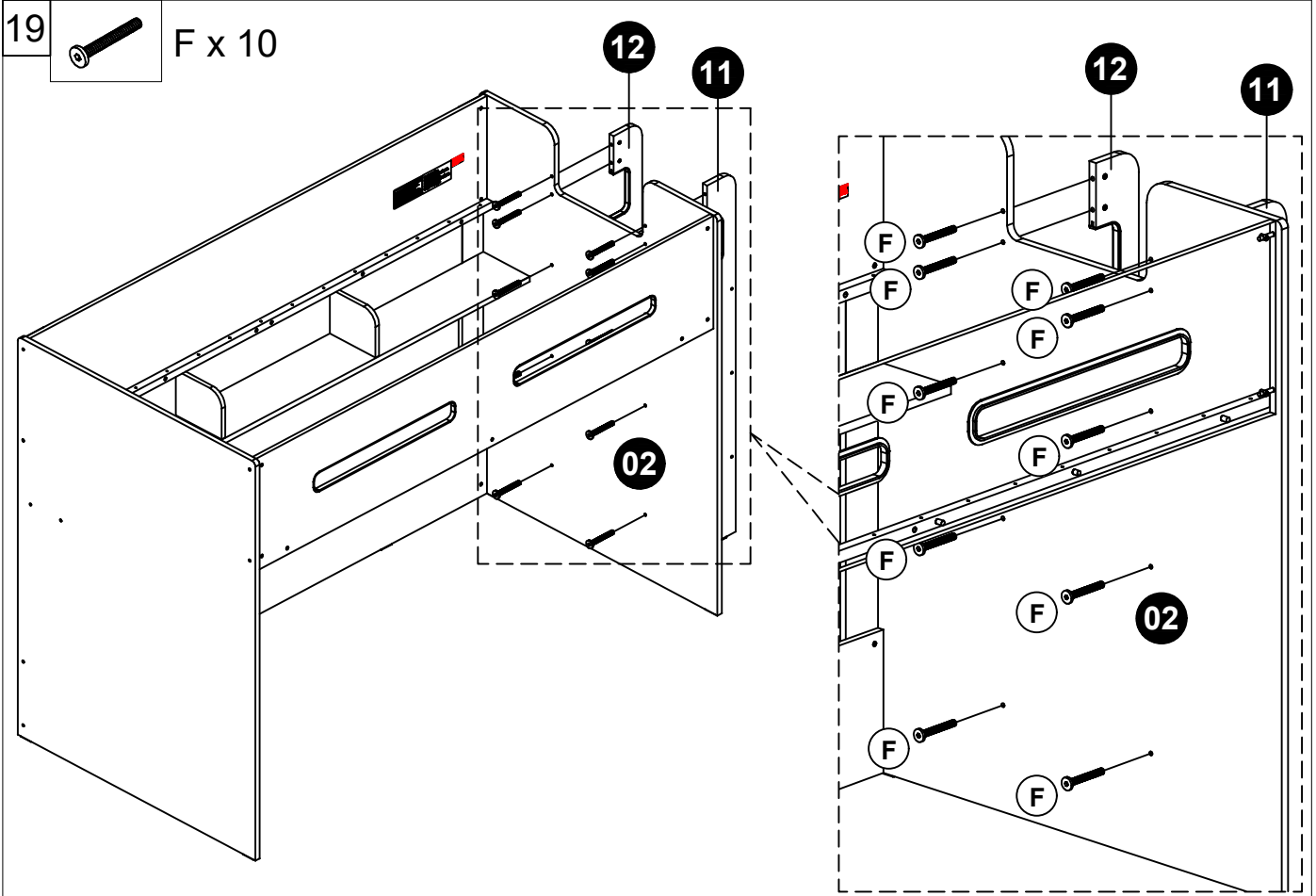
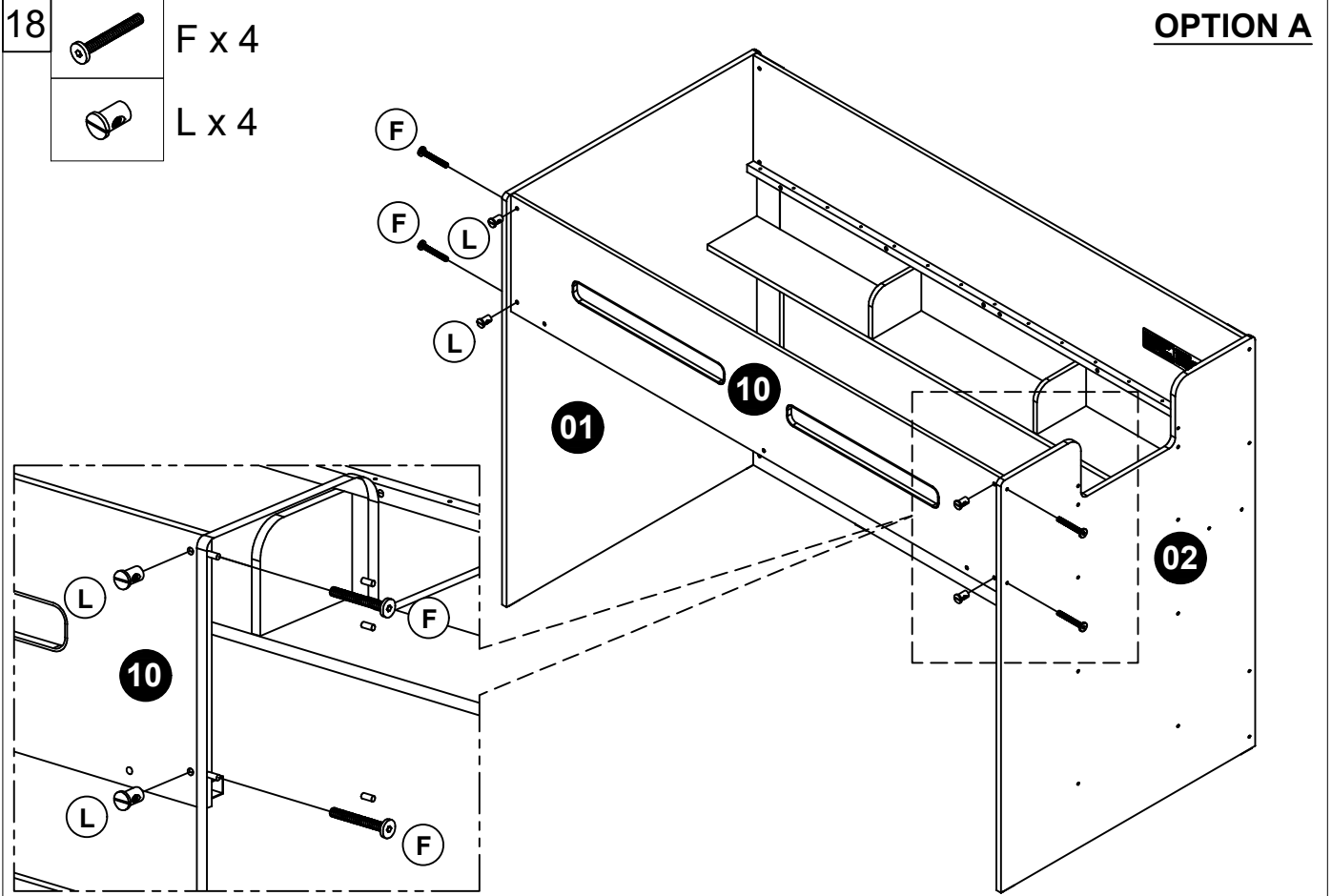
- 17
-  G x 5
 -  M x 3



Guide To Assembly

Model : IQ 7942

OPTION A



Guide To Assembly

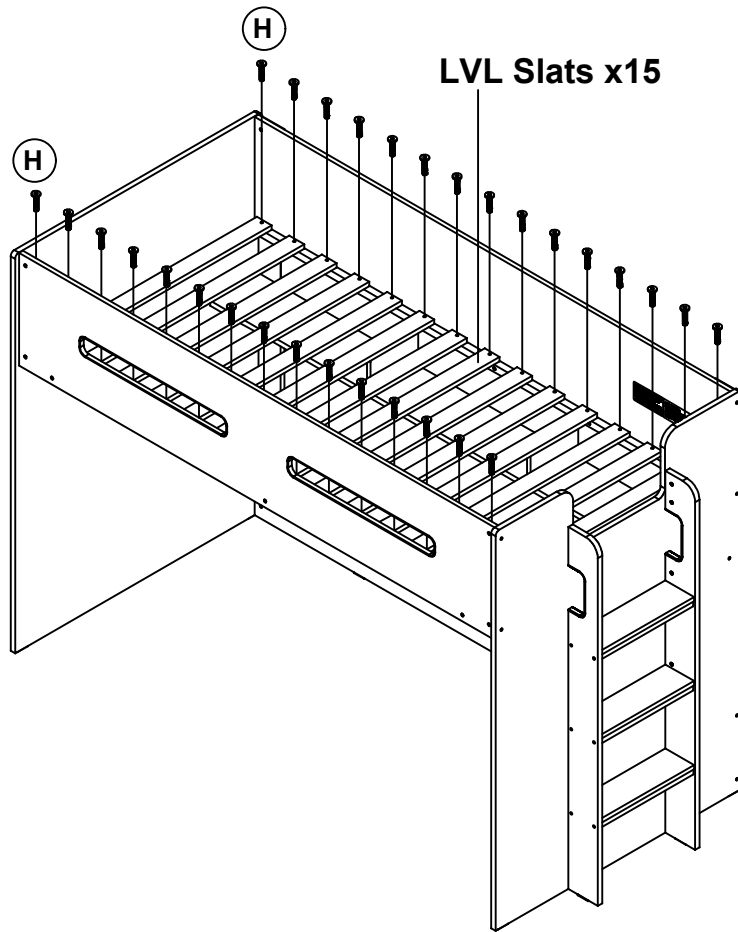
Model : IQ 7942

20



H x 30

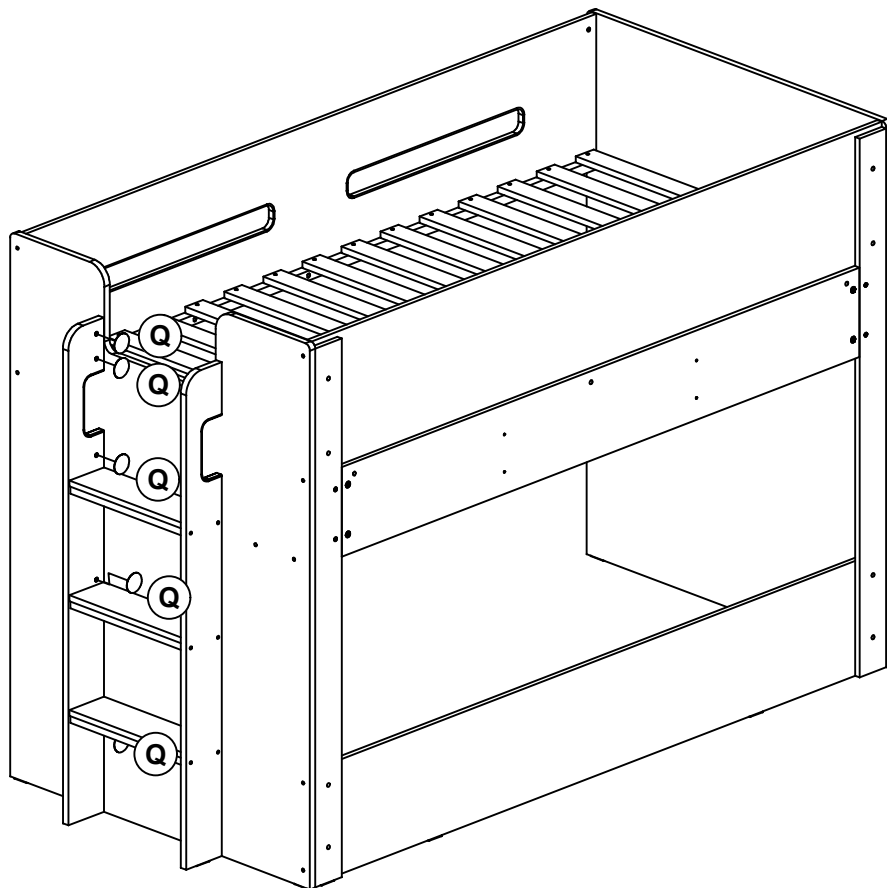
OPTION A



21



Q x 5



Guide To Assembly

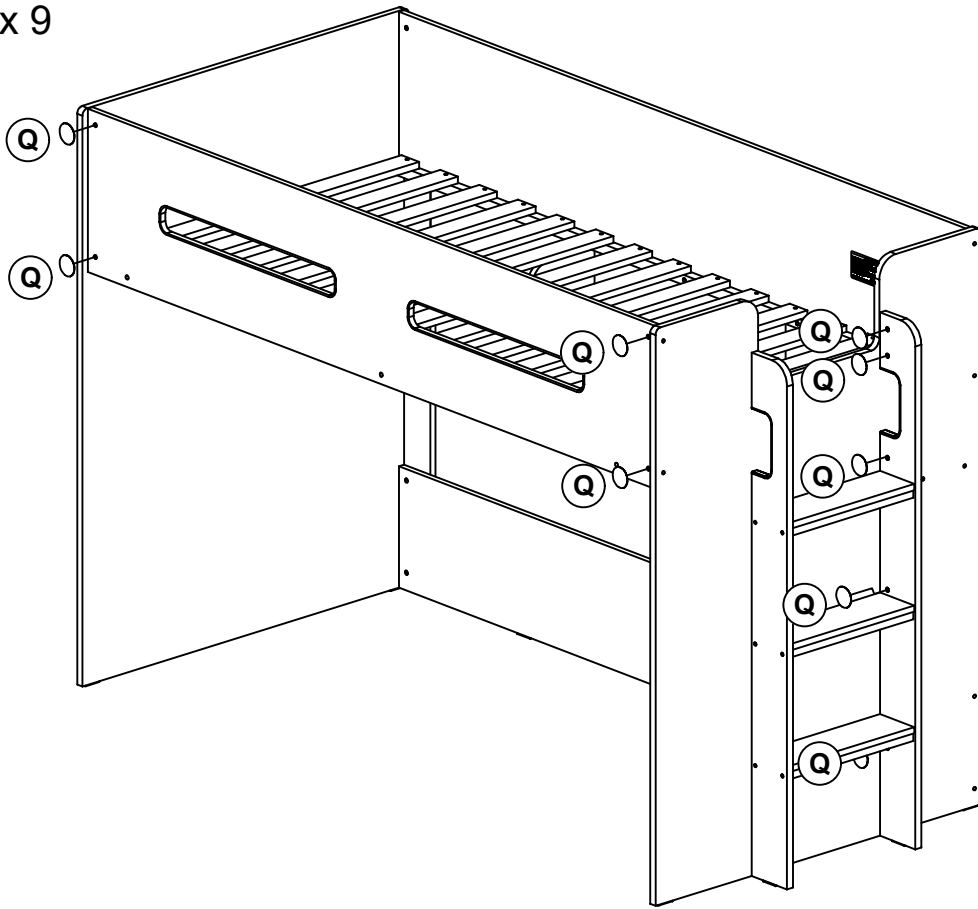
Model : IQ 7942

22

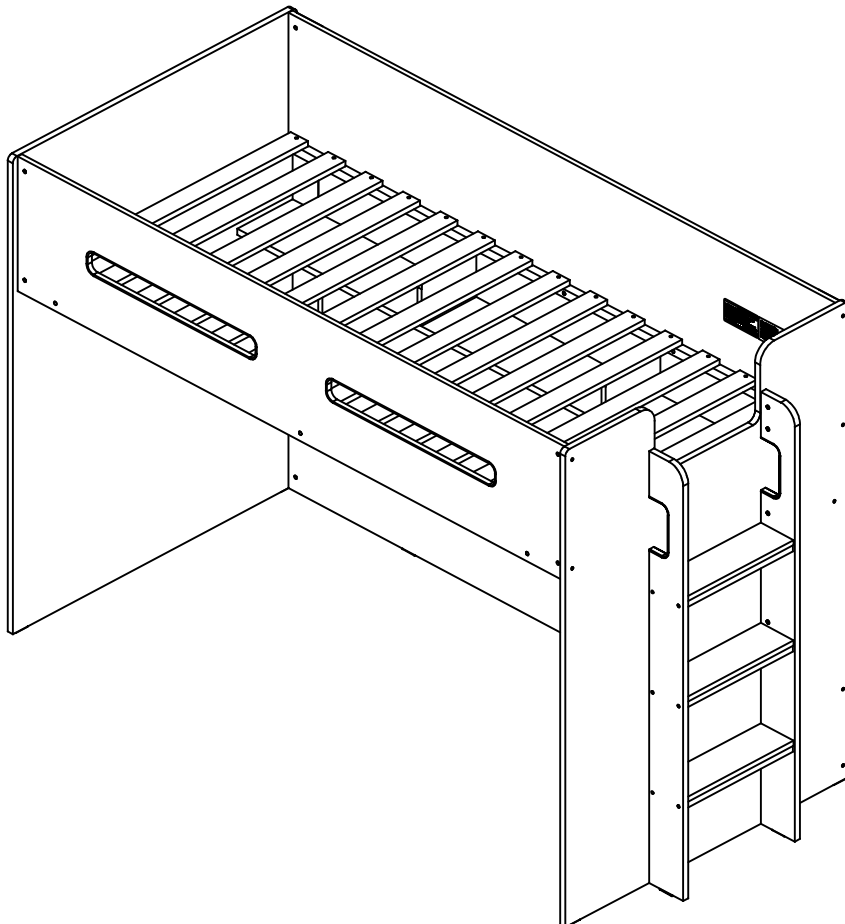


Q x 9

OPTION A



23



Guide To Assembly

Model : IQ 7942

OPTION B

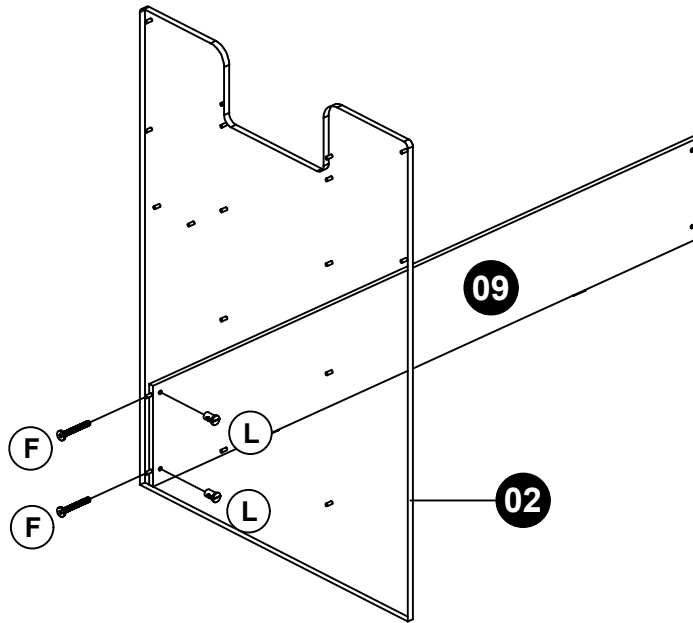
07



F x 2



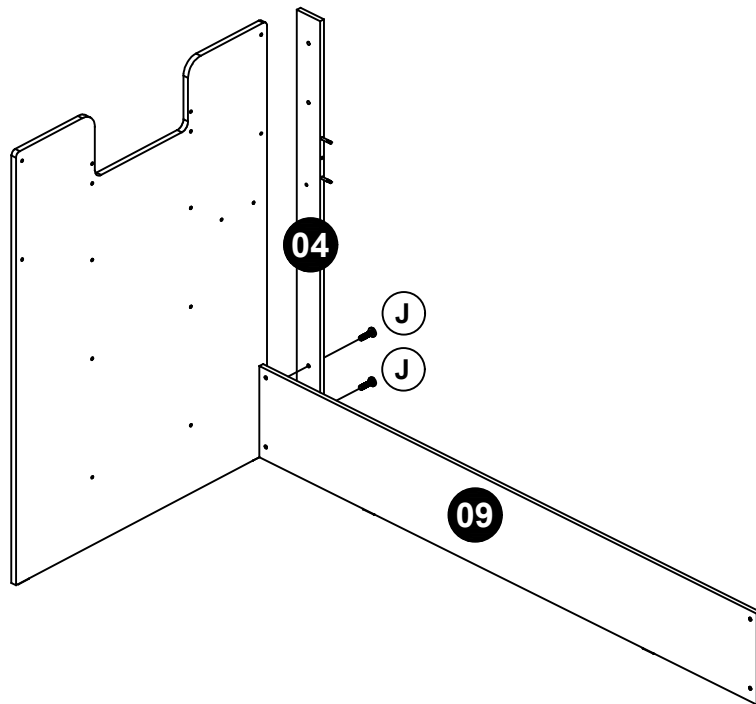
L x 2



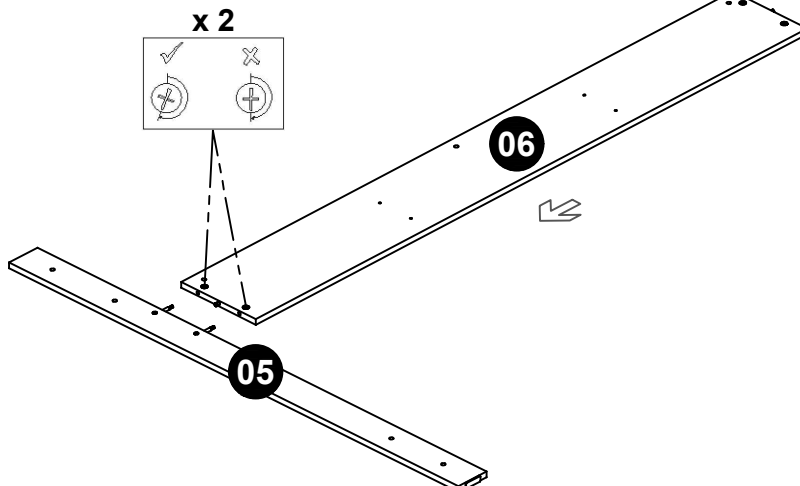
08



J x 2



09



Guide To Assembly

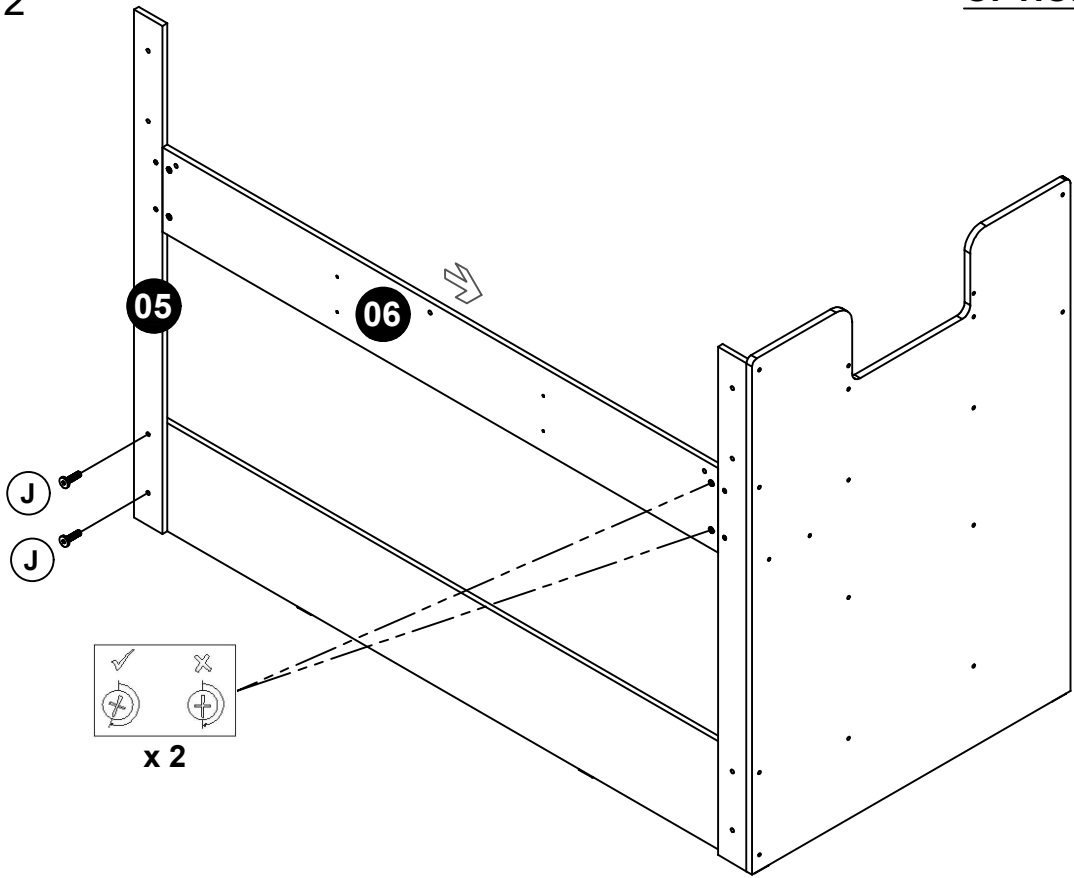
Model : IQ 7942

10

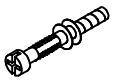


J x 2

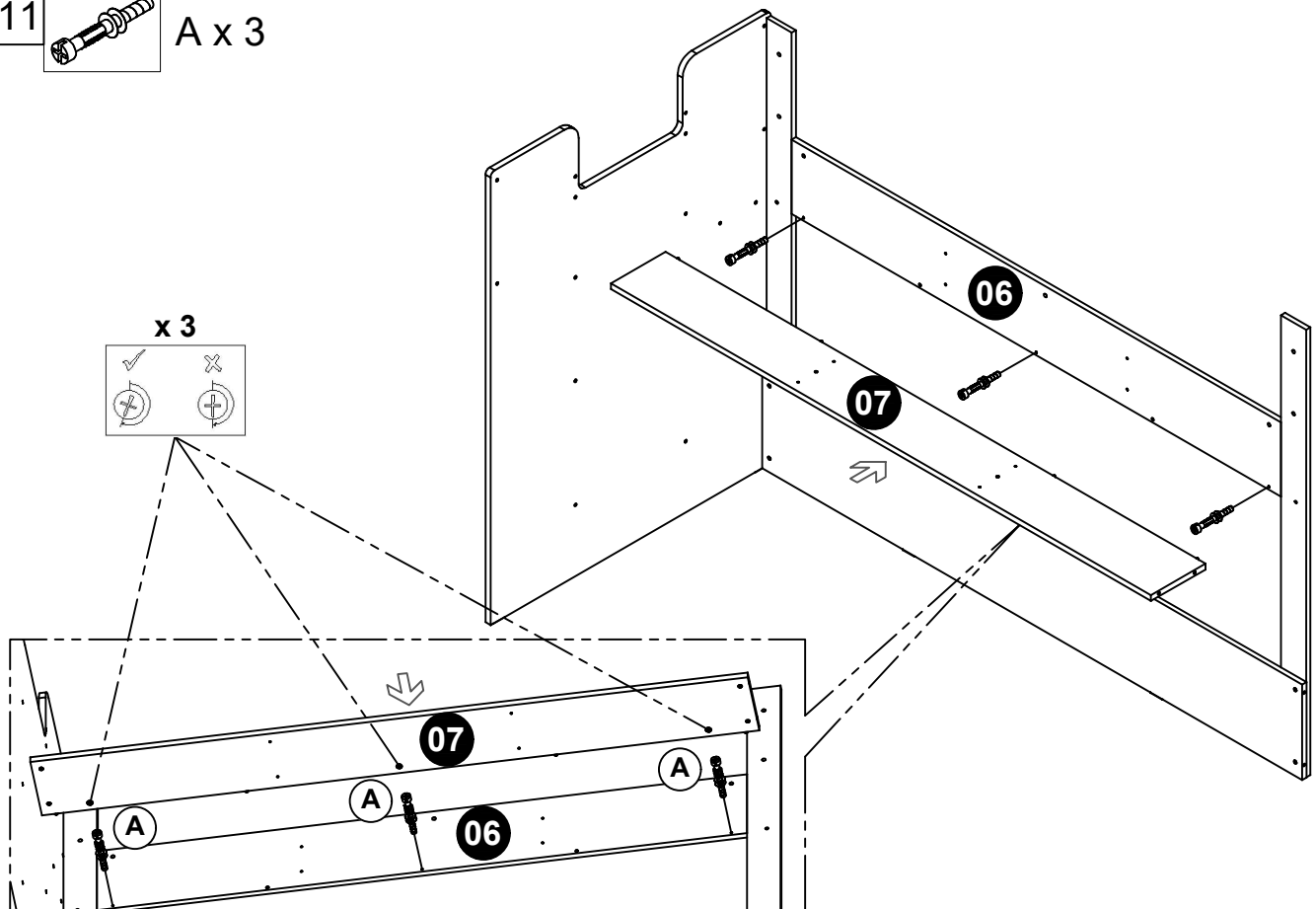
OPTION B



11





A x 3

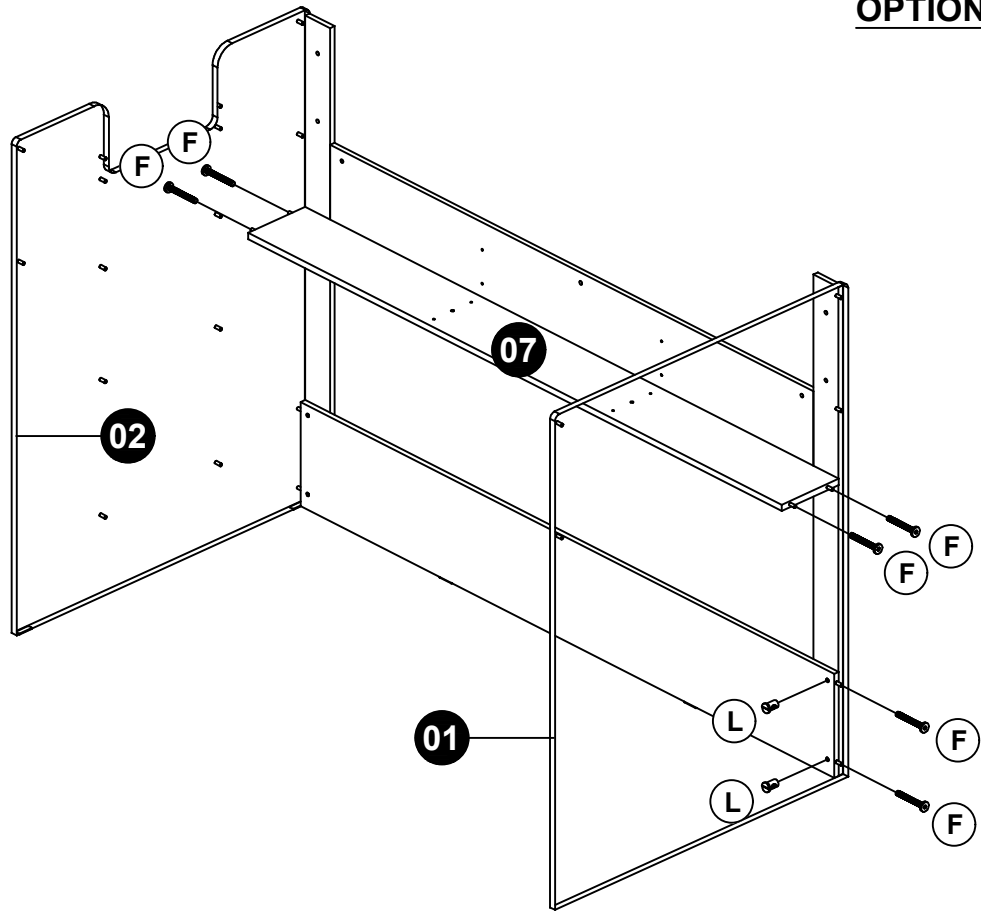



Guide To Assembly

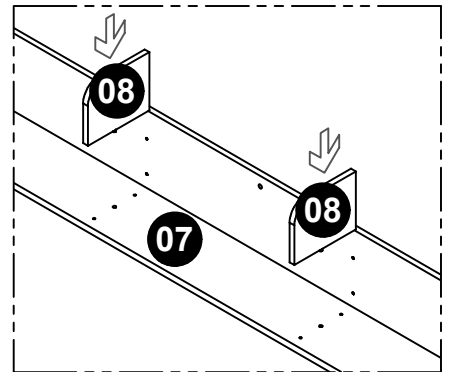
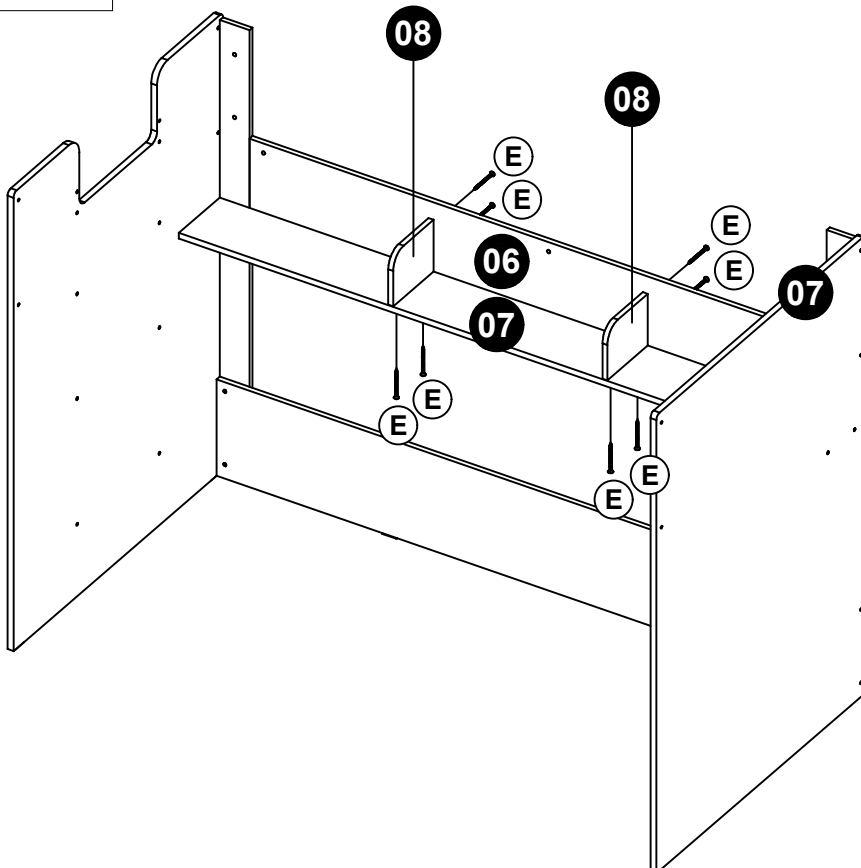
Model : IQ 7942

- 12  F x 6
 L x 2

OPTION B



- 13  E x 8

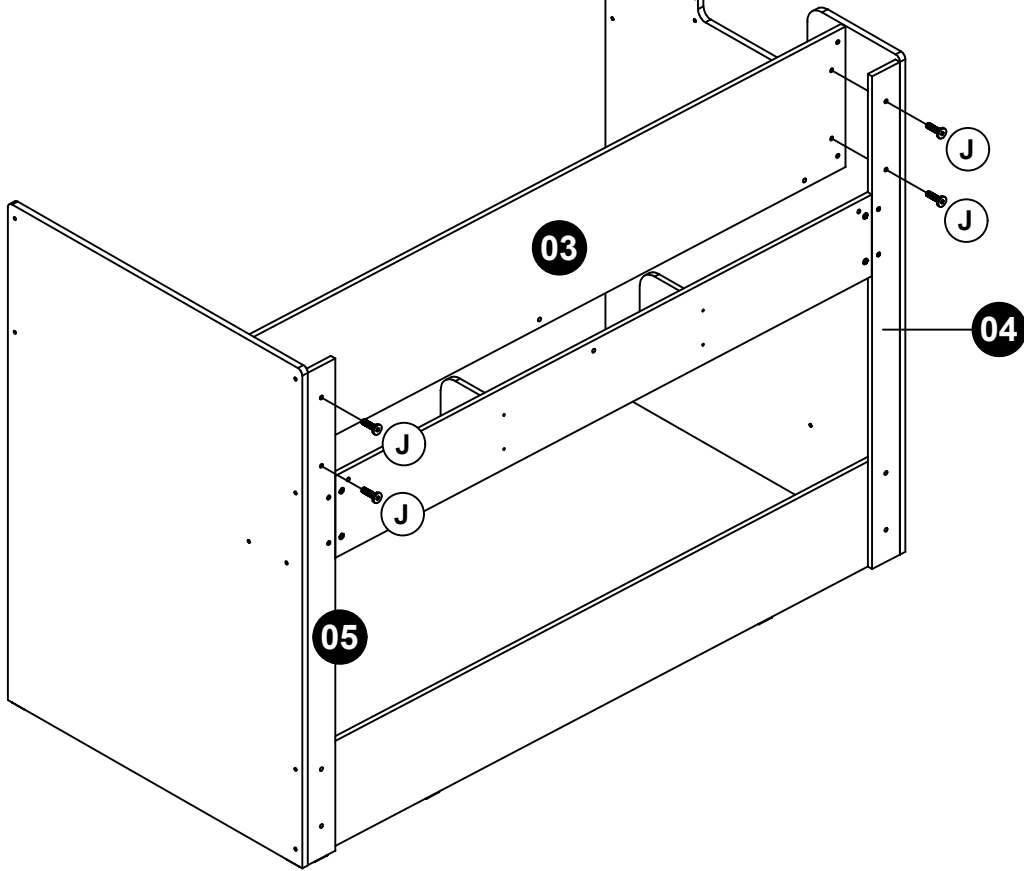




Guide To Assembly

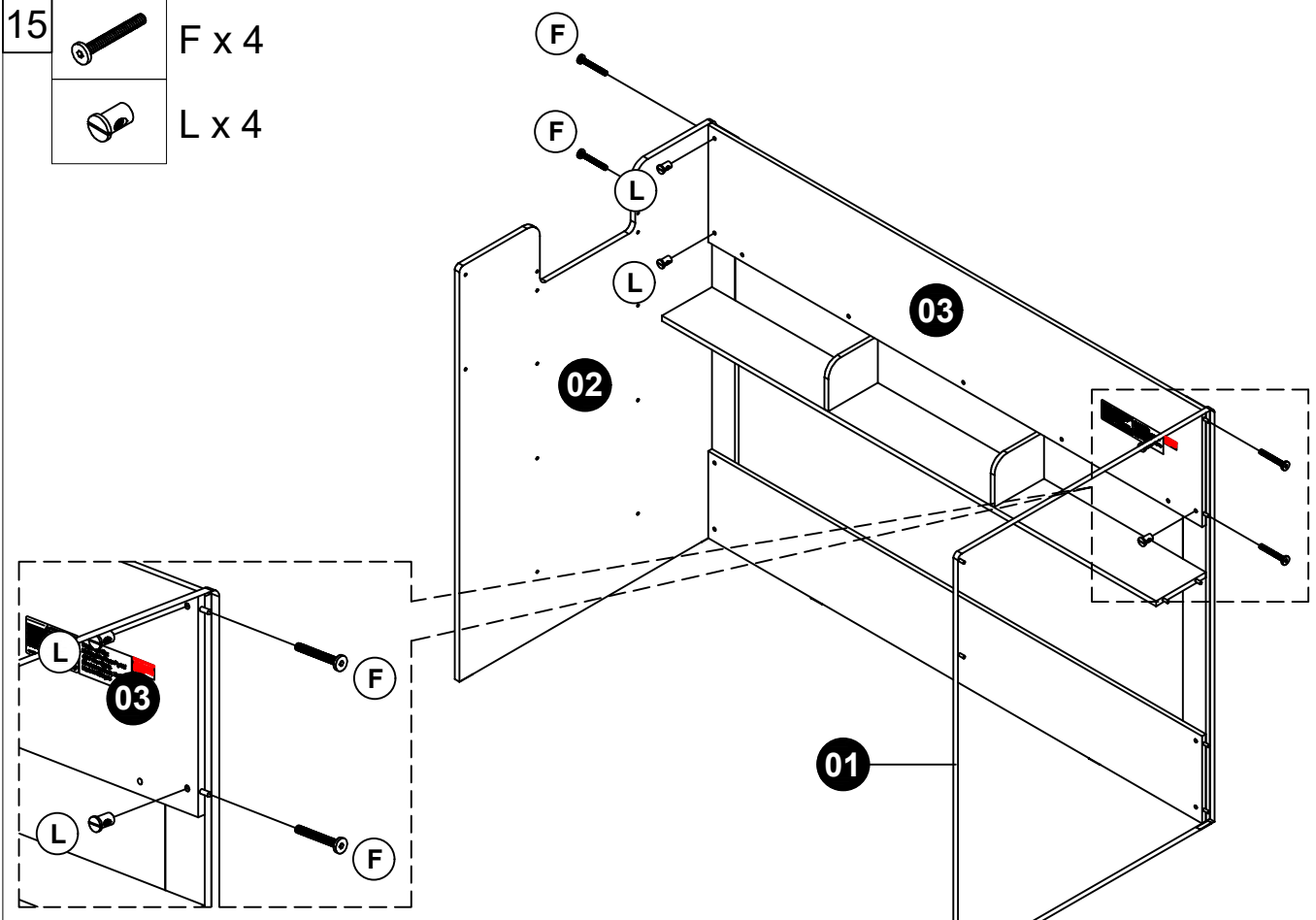
Model : IQ 7942

14  J x 4

OPTION B






15  F x 4
 L x 4

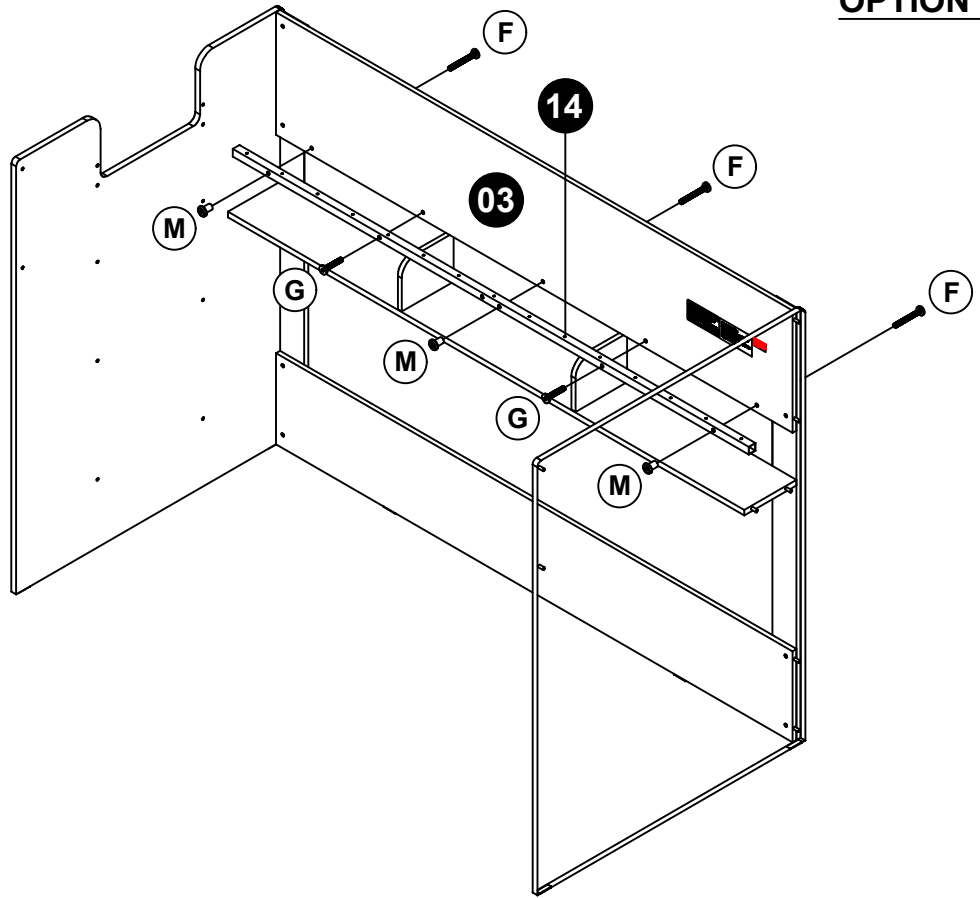




Guide To Assembly

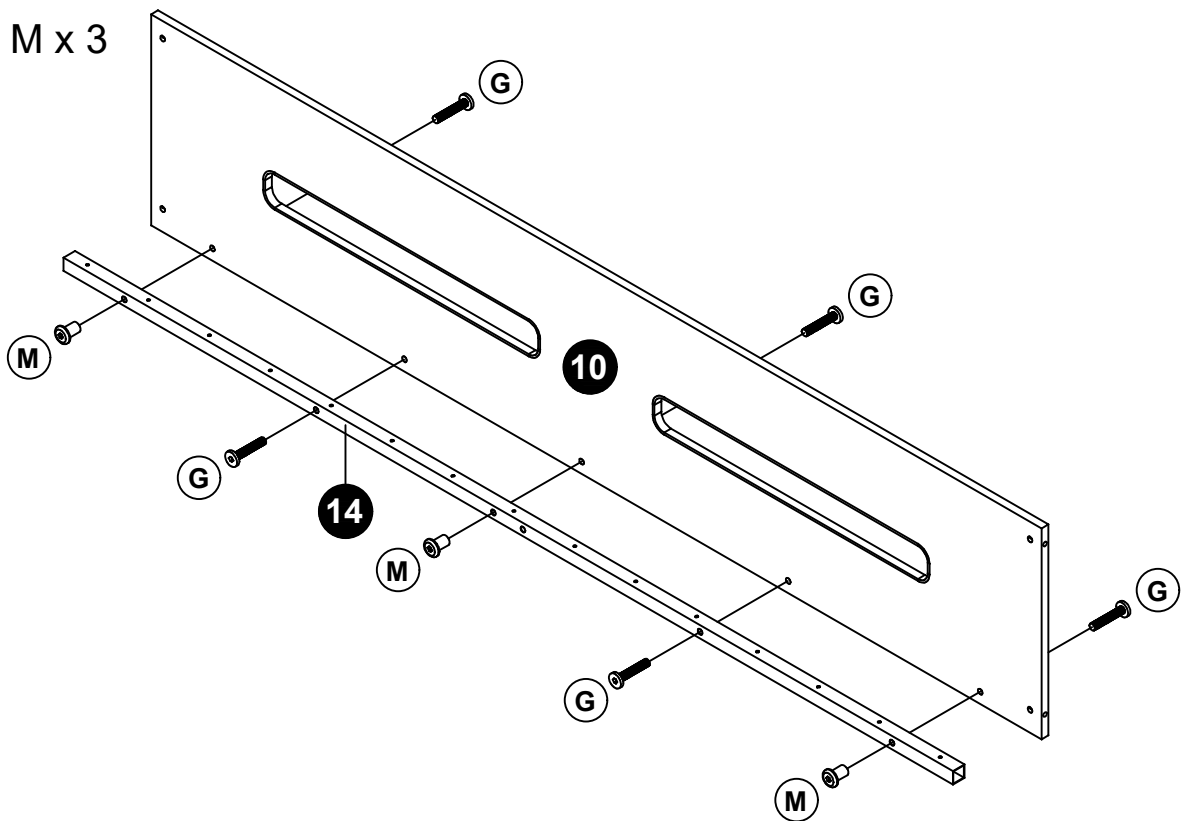
Model : IQ 7942

OPTION B

- 16
-  F x 3
 -  G x 2
 -  M x 3





- 17
-  G x 5
 -  M x 3

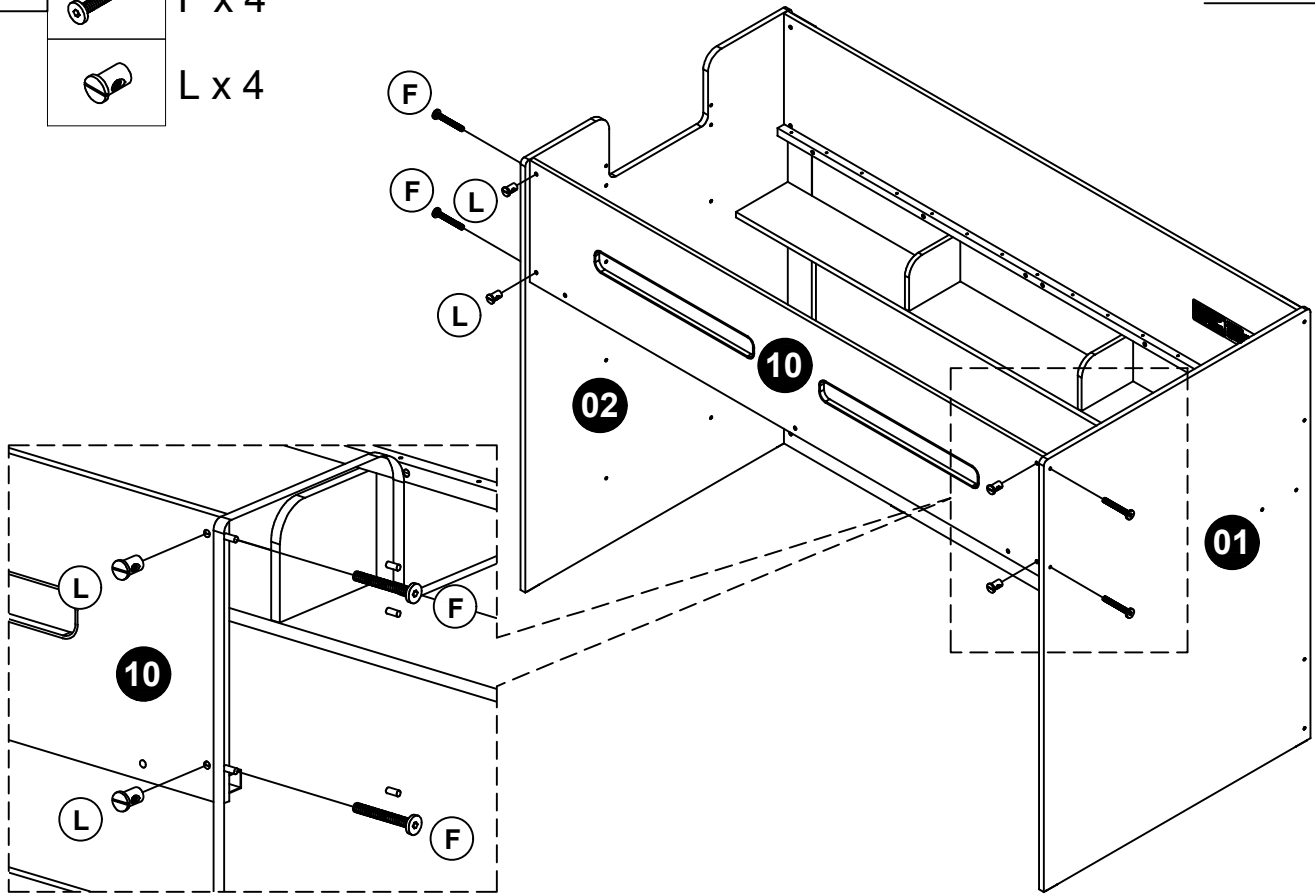


Guide To Assembly

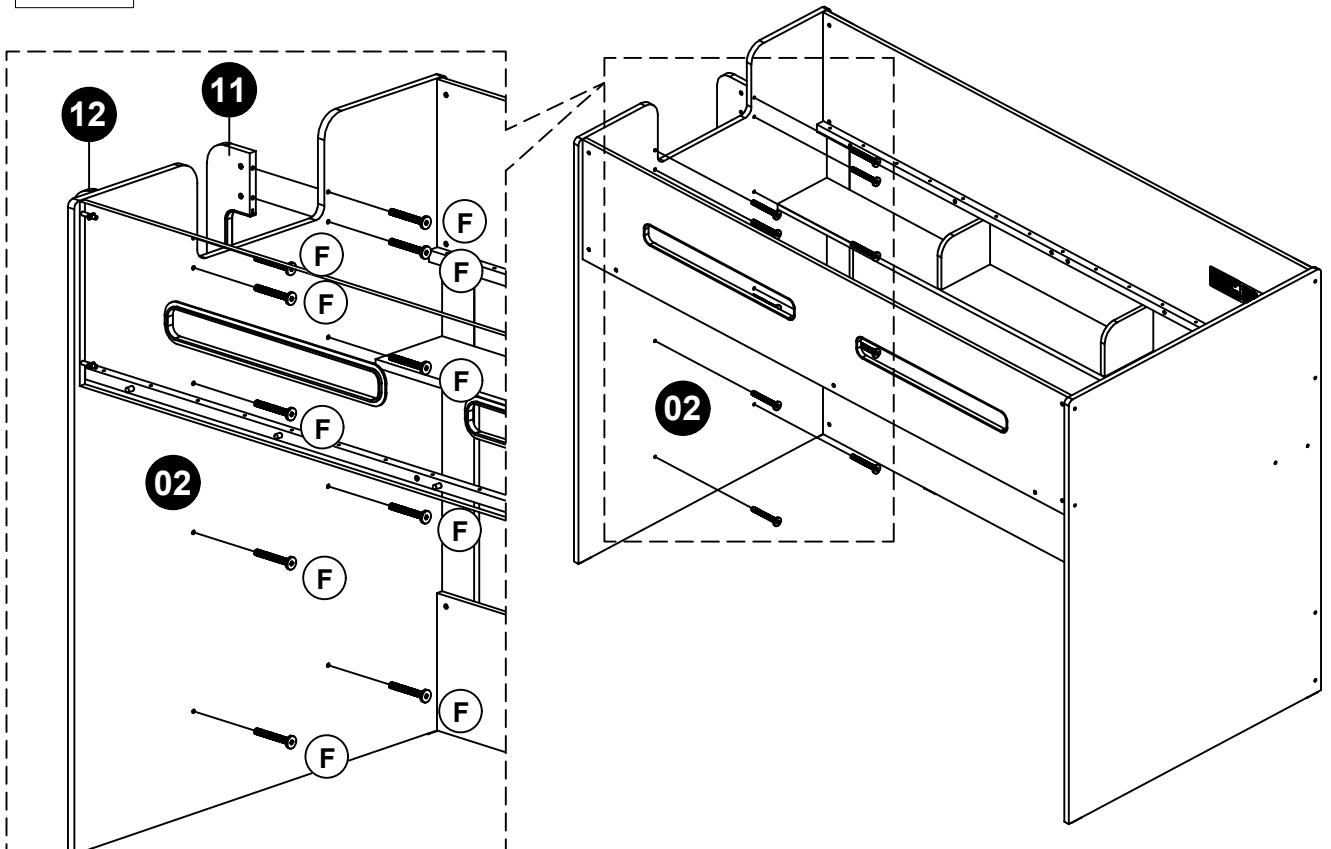
Model : IQ 7942

OPTION B

- 18  F x 4
 L x 4



- 19  F x 10



Guide To Assembly

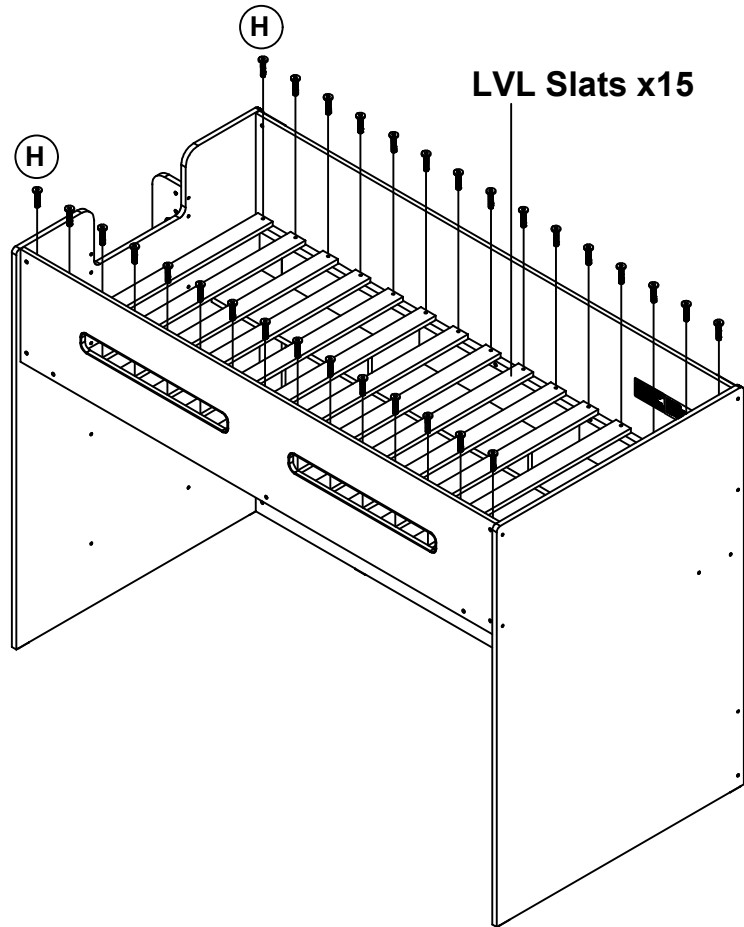
Model : IQ 7942

20



H x 30

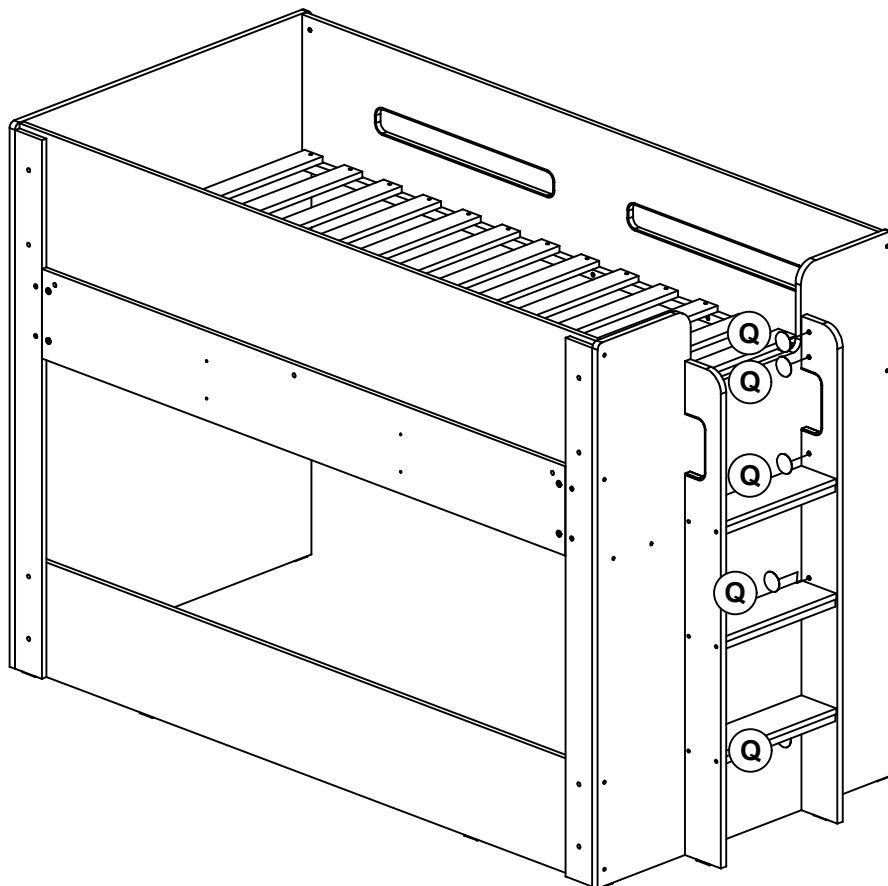
OPTION B



21



Q x 5



Guide To Assembly

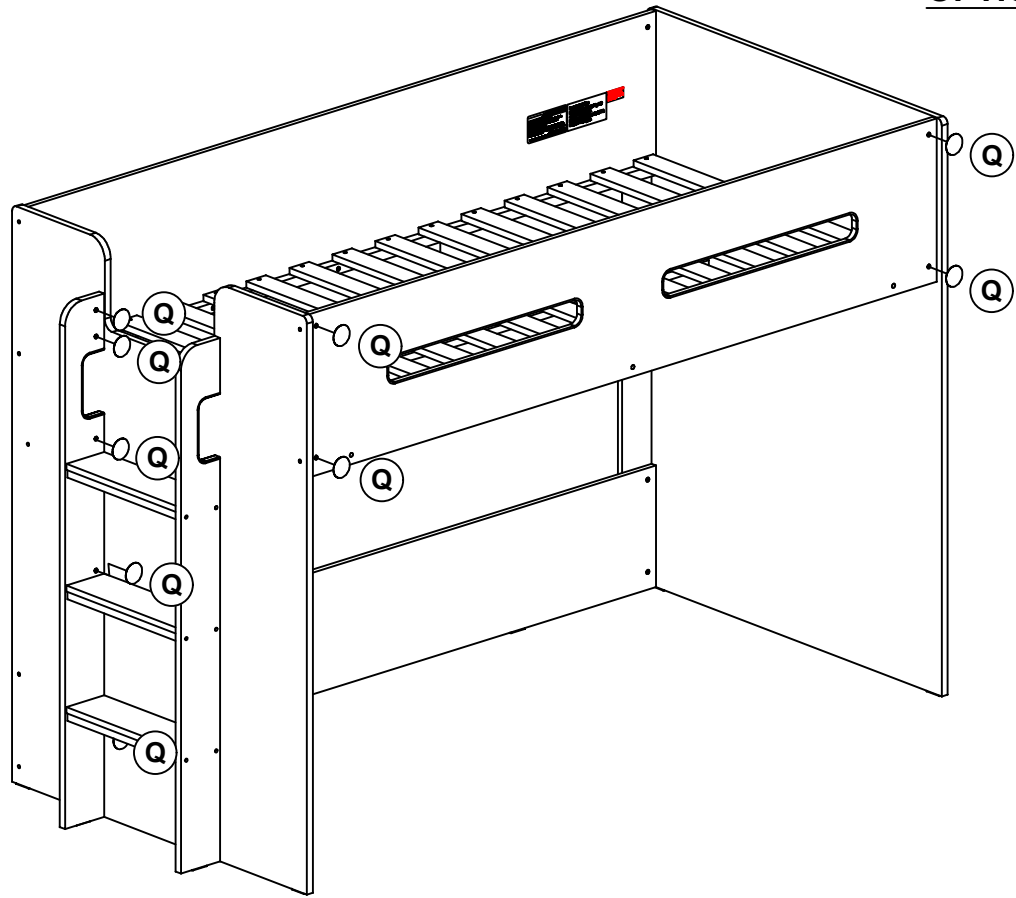
Model : IQ 7942

22



Q x 9

OPTION B



23

