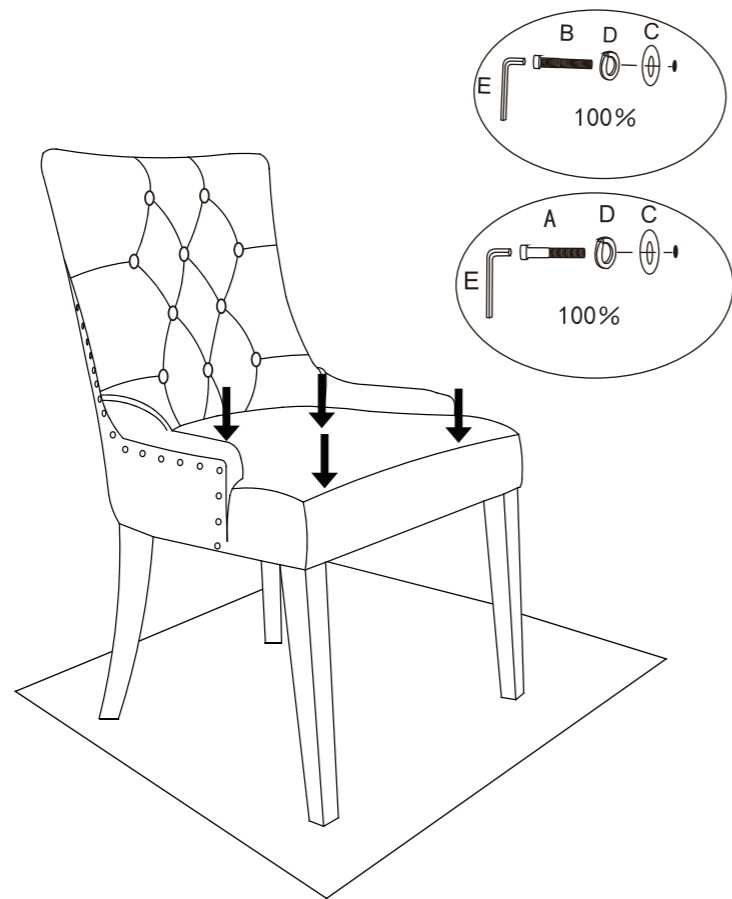
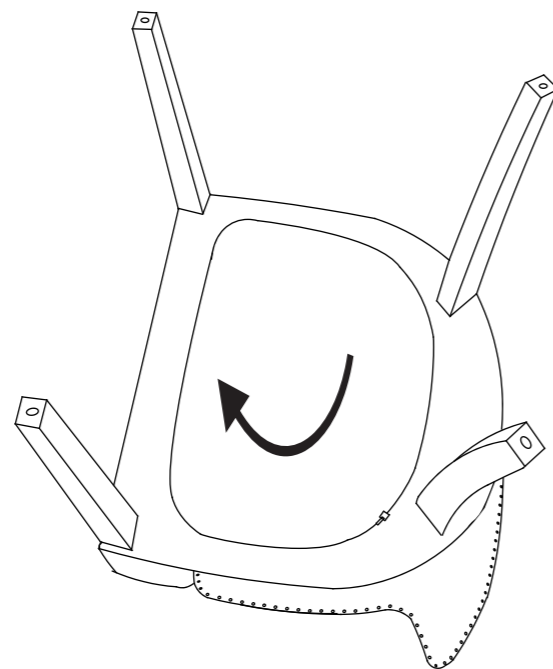


Step3



Step4



Please dispose of all packaging thoughtfully

4/4

TEMPLE &
WEBSTER

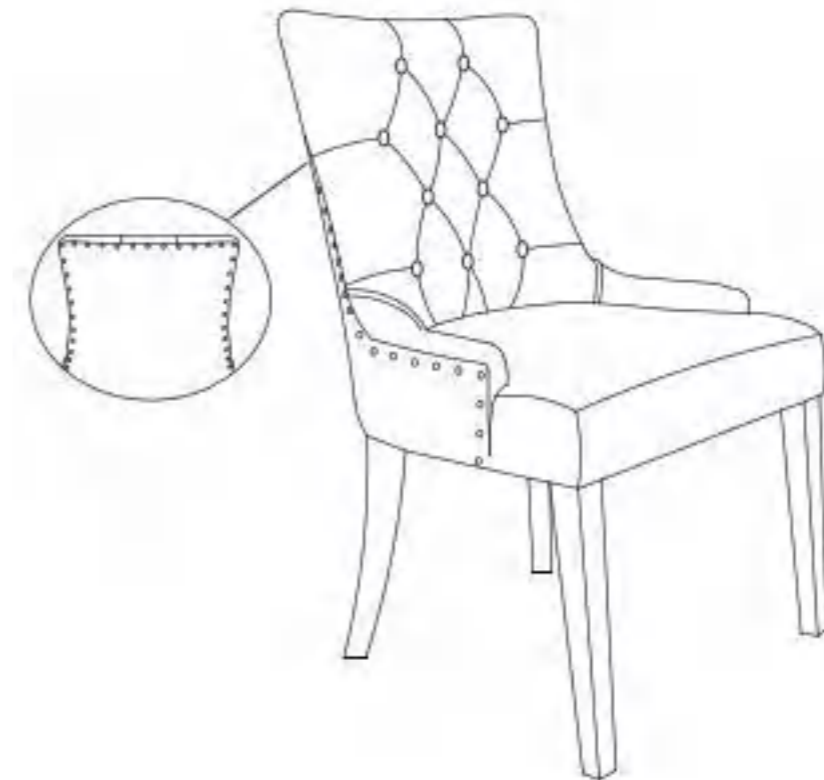
GPWDCNTV/GPWDCGRV/
GPWSGWAF/GPWSIWAF/
GPWDCBLV/GPWDCBKV

ASSEMBLY INSTRUCTIONS

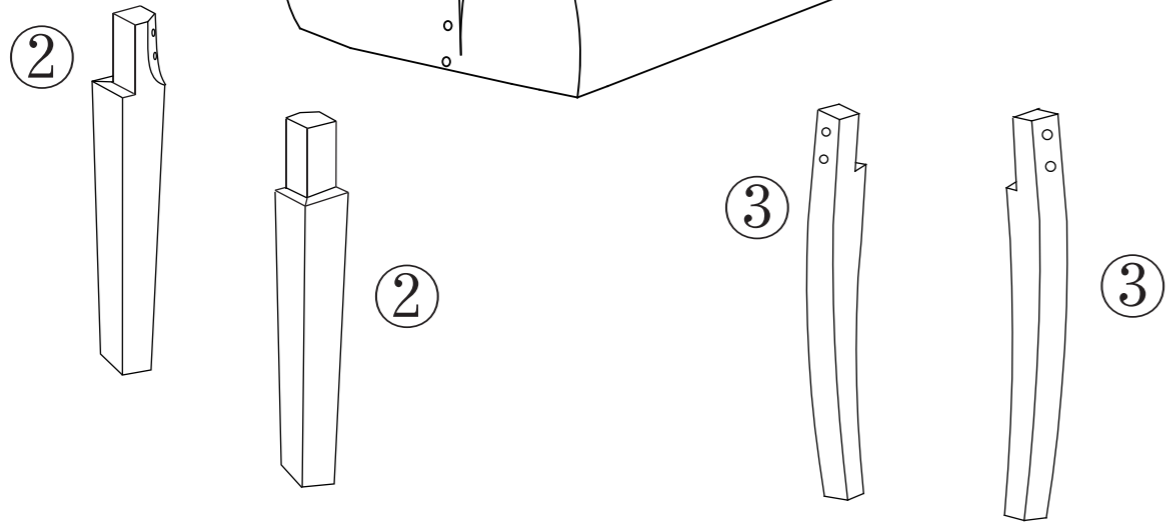
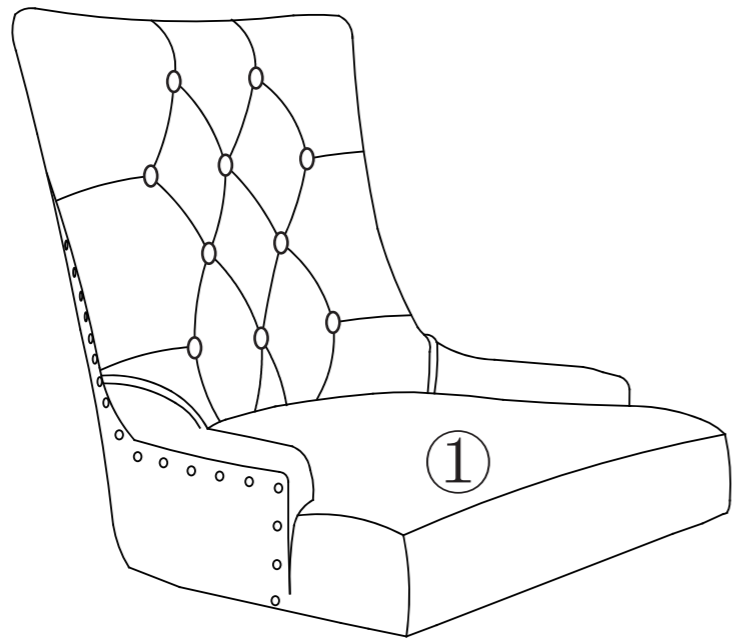
Read these instructions and follow steps carefully to ensure you assemble the product correctly and avoid damages. Check that all parts and hardware have been provided before assembling the product. Place all contents on a clean, soft-flat surface to avoid scratching the product.

CAUTION:


*Only tighten bolts to 80% at first. Once all parts have been assembled, fully tighten all hardware.
To prevent damage to threads, do not use a power tool and do not overtighten bolts. Use two people to lift and turn the product when assembling.
Do not attempt with one person and do not roll onto legs.
Keep all hardware and small parts away from children.*



1/4

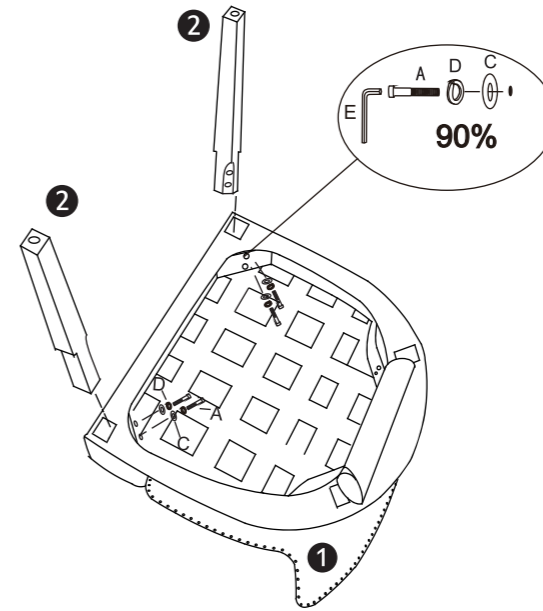


Parts included in carton 1 of 1:

| | | | |
|------------------------|--------------------------|---|---|
| A x4 M8x75mm | B x4 M8x60mm | C x8 ($\phi 8+\phi 22$)*1.5MM | D x8 ($\phi 8+\phi 13$)*2MM |
| E x1 M6 | F x4 25x25x3mm |  120kg | |

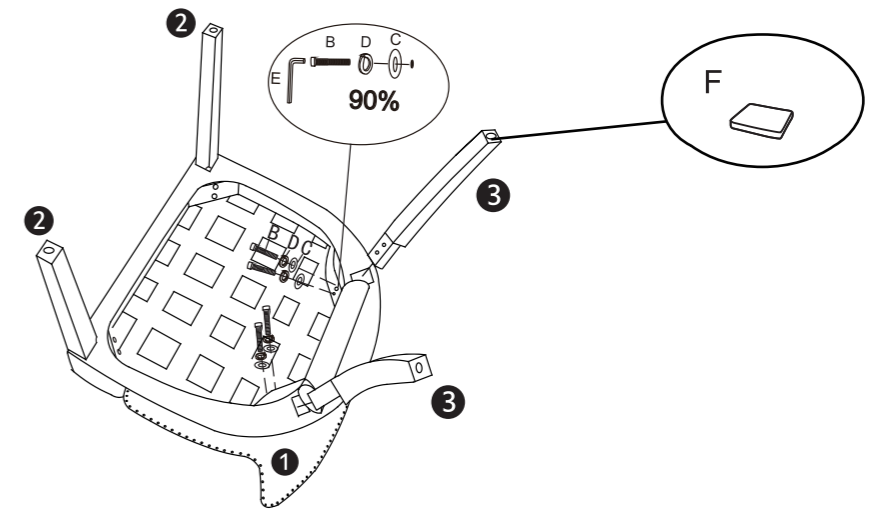
2/4

Step1



| | | | |
|------------------------|---|---|-------------------|
| A x4 M8x75mm | C x4 ($\phi 8+\phi 22$)*1.5MM | D x4 ($\phi 8+\phi 13$)*2MM | E x1 M6 |
|------------------------|---|---|-------------------|

Step2



| | | | |
|--------------------------|---|---|-------------------|
| B x4 M8x60mm | C x4 ($\phi 8+\phi 22$)*1.5MM | D x4 ($\phi 8+\phi 13$)*2MM | E x1 M6 |
| F x4 25x25x3mm | | | |

3/4