

Assembly Instructions

Read these instructions and follow steps carefully to ensure you assemble the product correctly and avoid damages. Check that all parts and hardware have been provided before assembling the product. Place all contents on a clean, soft-flat surface to avoid scratching the product.

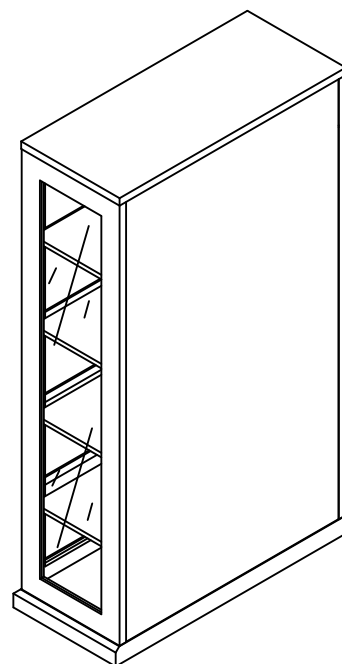
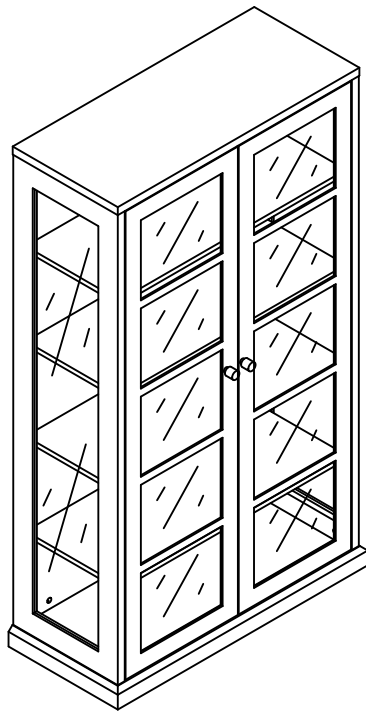
⚠ CAUTION:

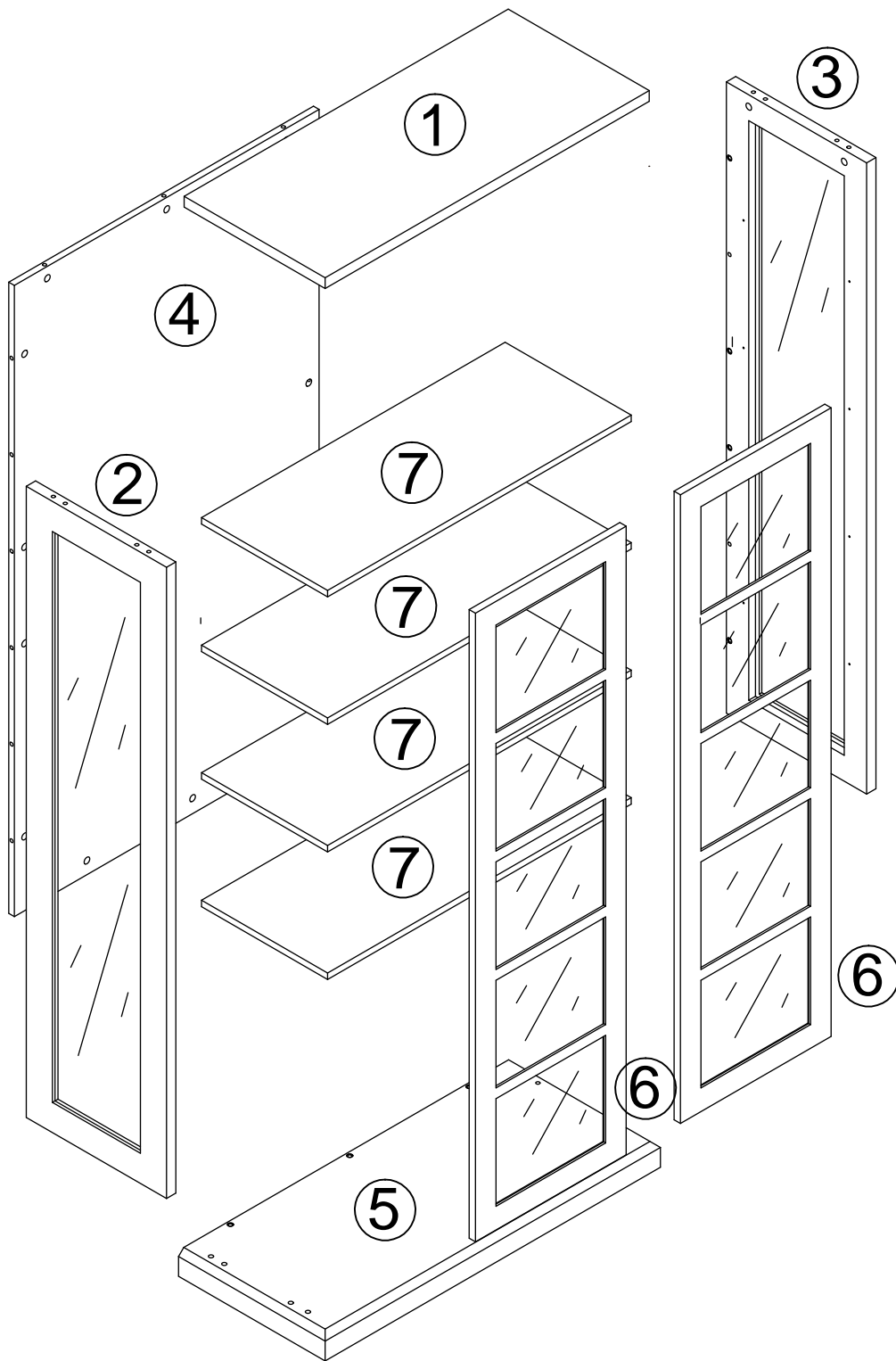
Only tighten bolts to 80% at first. Once all parts have been assembled, fully tighten all hardware. To prevent damage to threads, do not use a power tool and do not overtighten bolts.

Use two people to lift and turn the product when assembling.

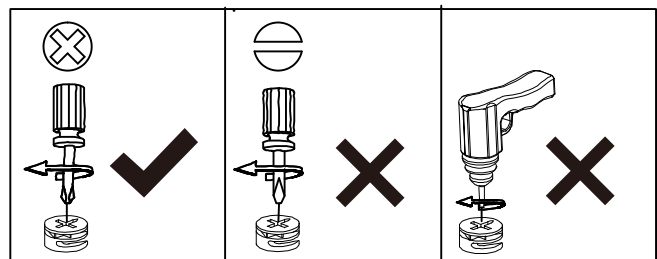
Do not attempt with one person and do not roll onto legs.




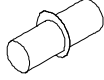

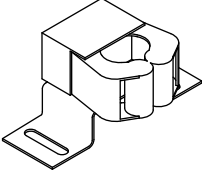
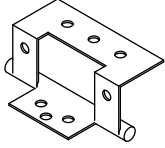
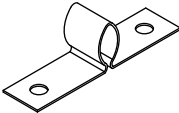

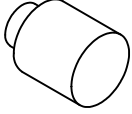
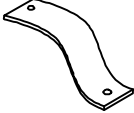

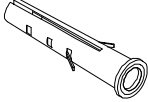


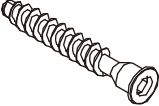
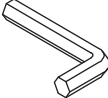
Keep all hardware and small parts away from children.






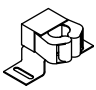


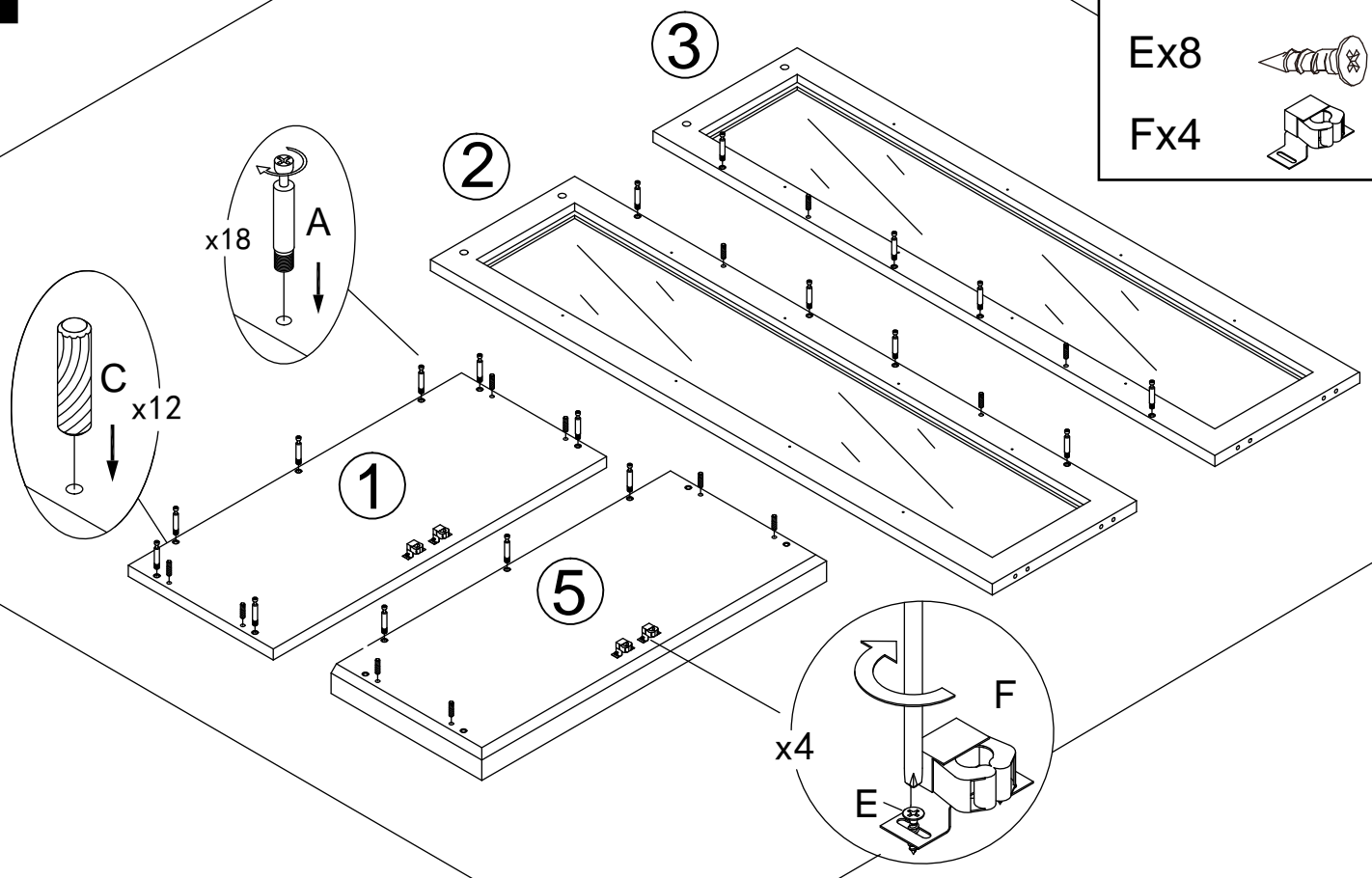
COLLI 1 OF 2 : 1, 5, 7, Fitting bag
COLLI 2 OF 2 : 2, 3, 4, 6



<p>Ax18</p>  <p>Ø6x34mm</p>	<p>Bx18</p>  <p>Ø15x9mm</p>	<p>Cx12</p>  <p>Ø8x30mm</p>	<p>Dx16</p>  <p>Ø5x20mm</p>	<p>Ex56</p>  <p>Ø3.5x14mm</p>
<p>Fx4</p> 	<p>Gx6</p> 	<p>Hx4</p> 	<p>Ix2</p>  <p>Ø4x22mm</p>	<p>Jx2</p> 
<p>Kx2</p> 	<p>Lx6</p> 	<p>Mx2</p> 	<p>Nx2</p> 	<p>Ox4</p> 
<p>Px4</p>  <p>M7*70mm</p>	<p>Qx1</p>  <p>M4</p>			

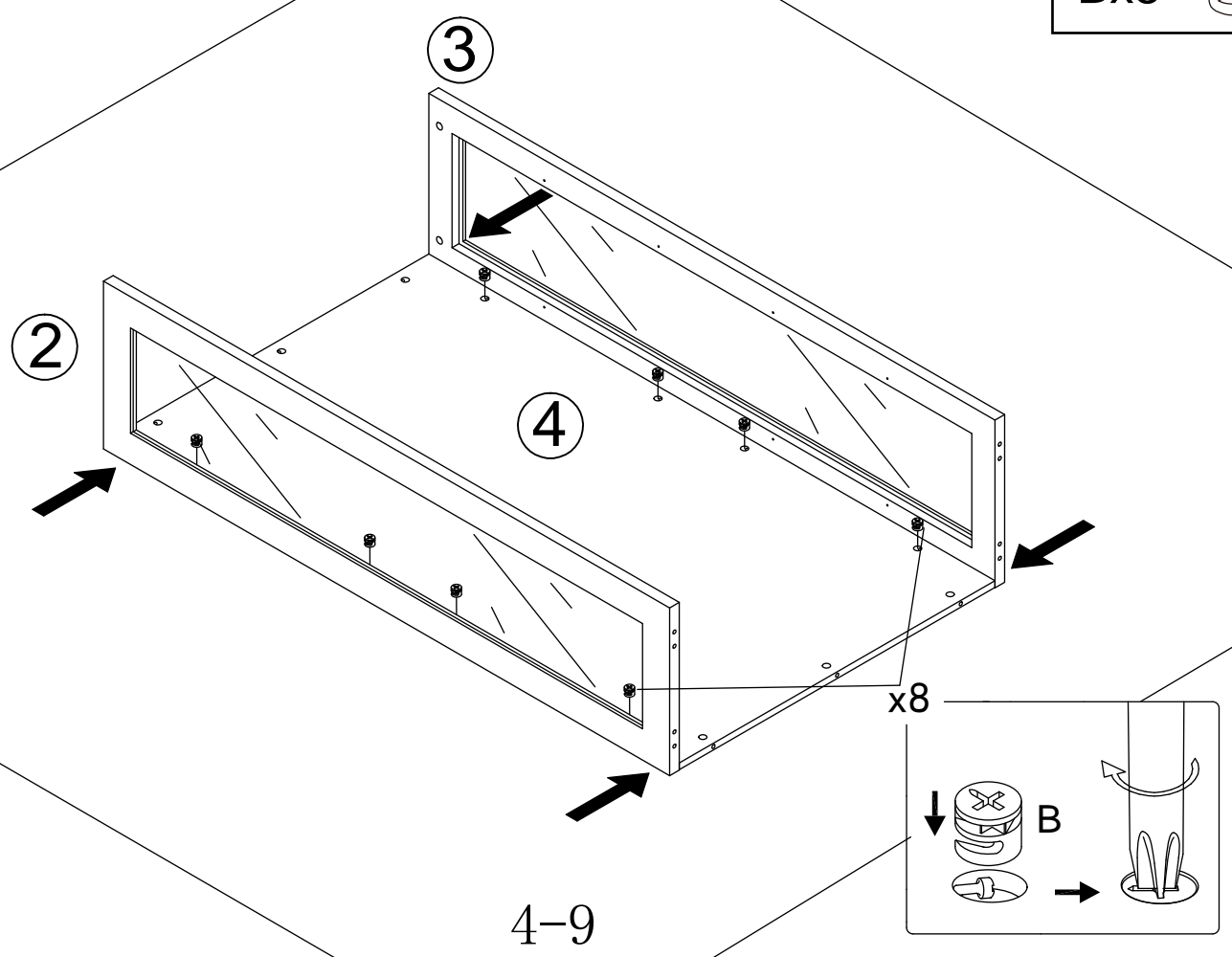
1

- Cx12 
- Ax18 
- Ex8 
- Fx4 

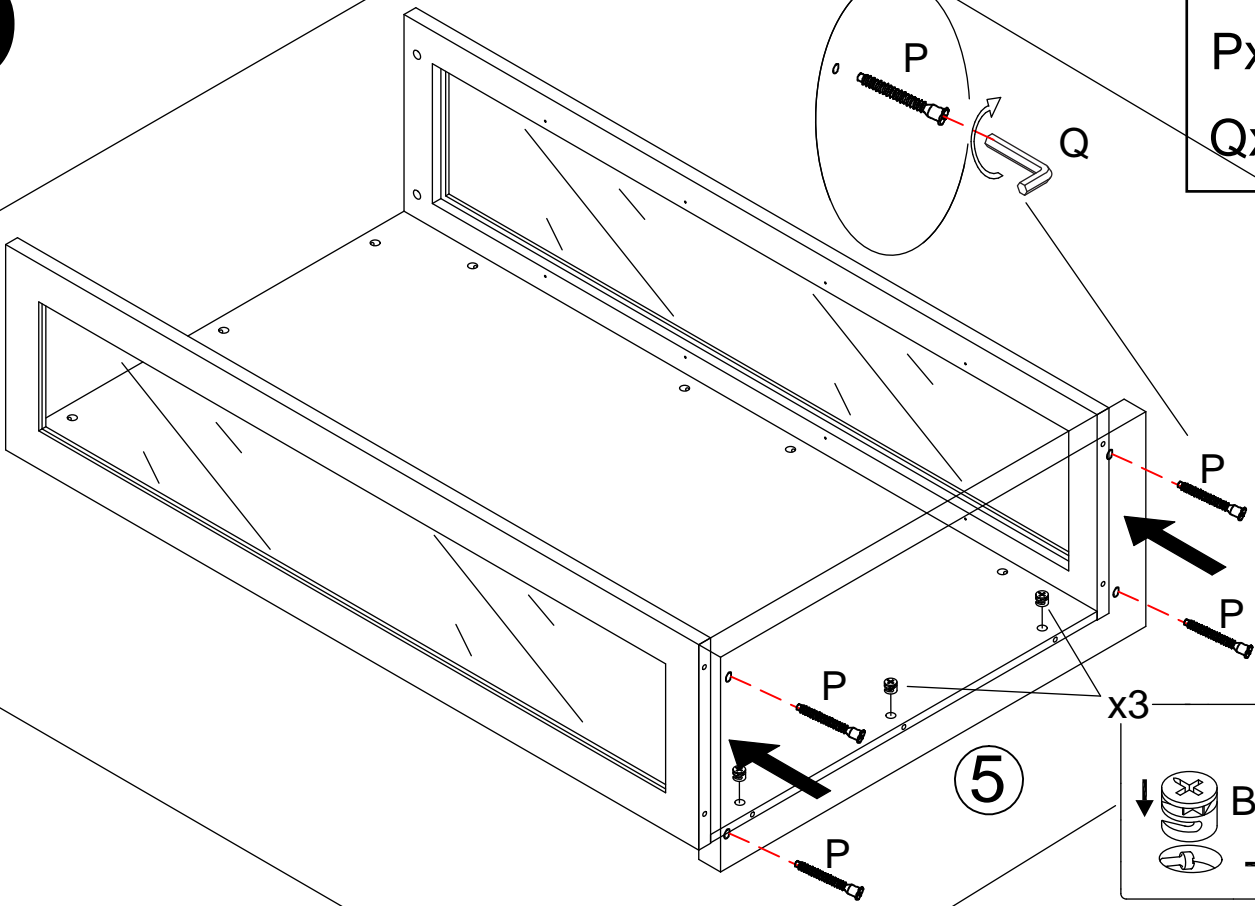




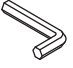
2

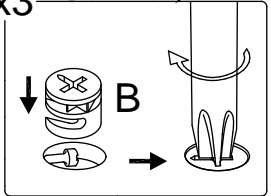
- Bx8 



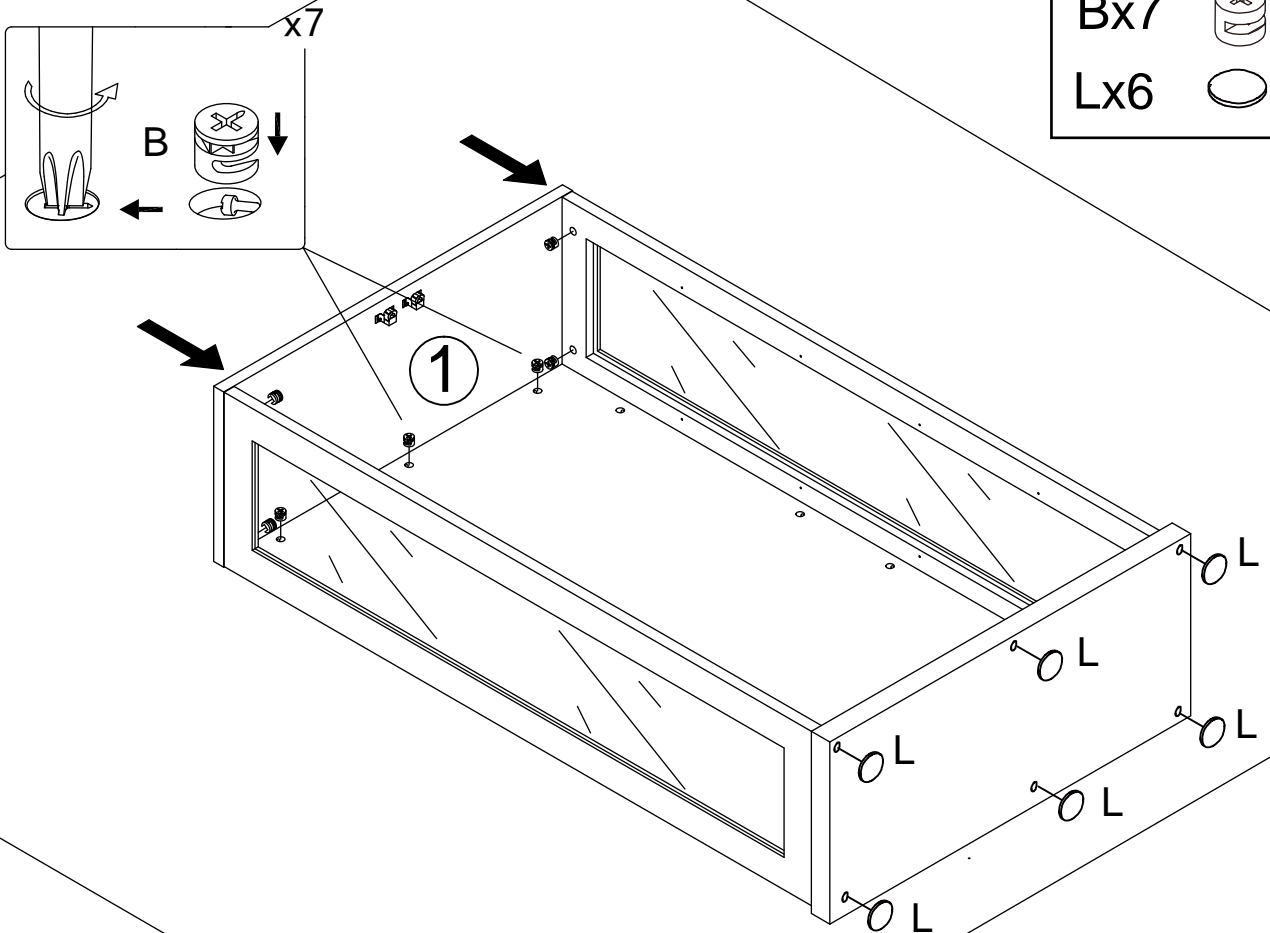
3





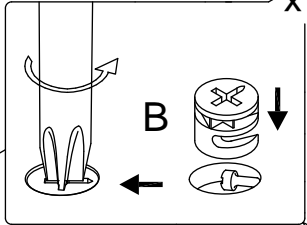
- Bx3 
- Px4 
- Qx1 



4

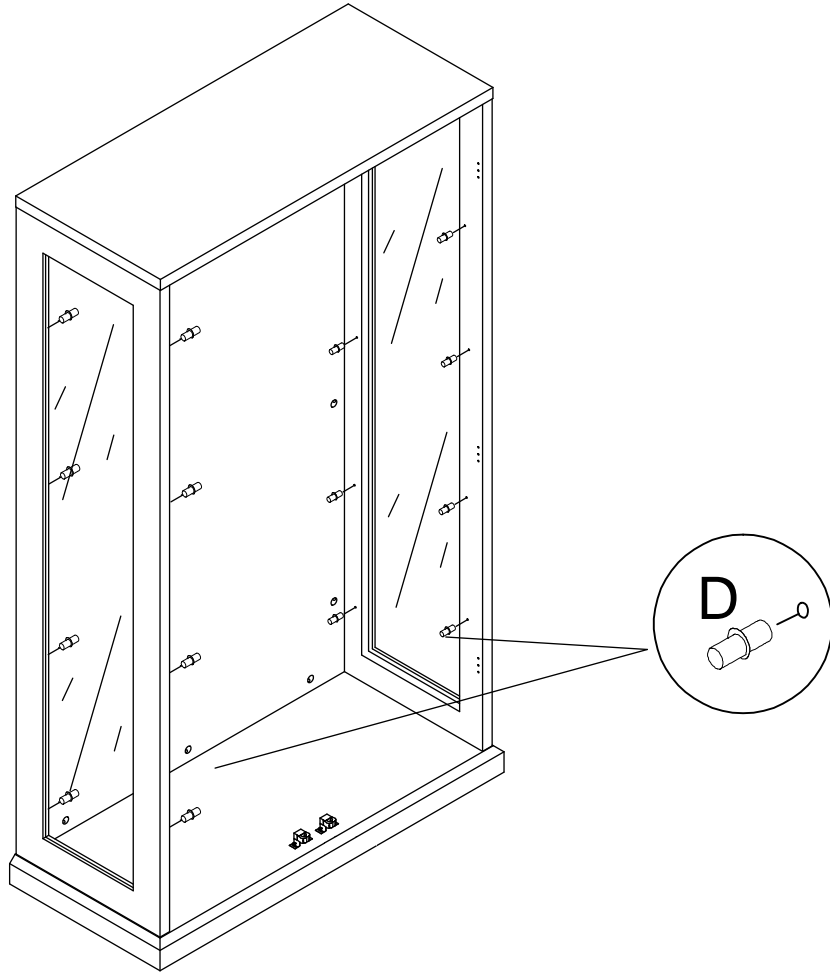


- Bx7 
- Lx6 

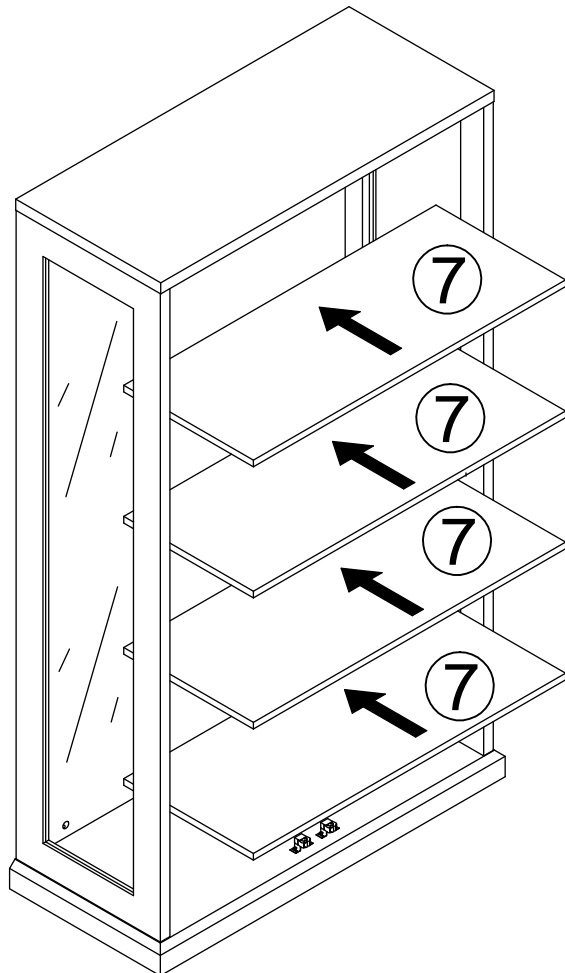


5

Dx16 

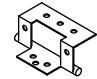
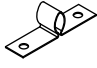



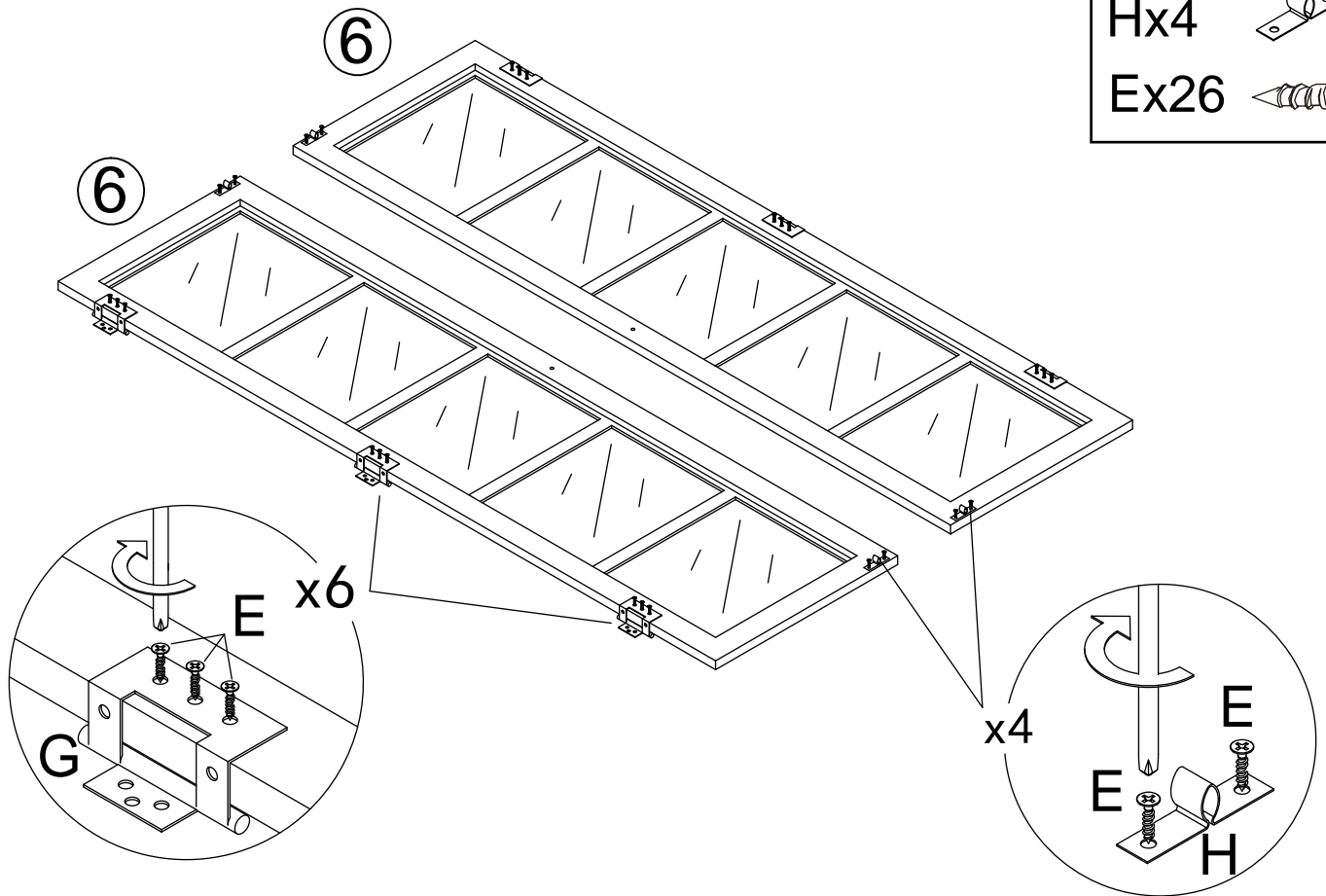
6




6-9

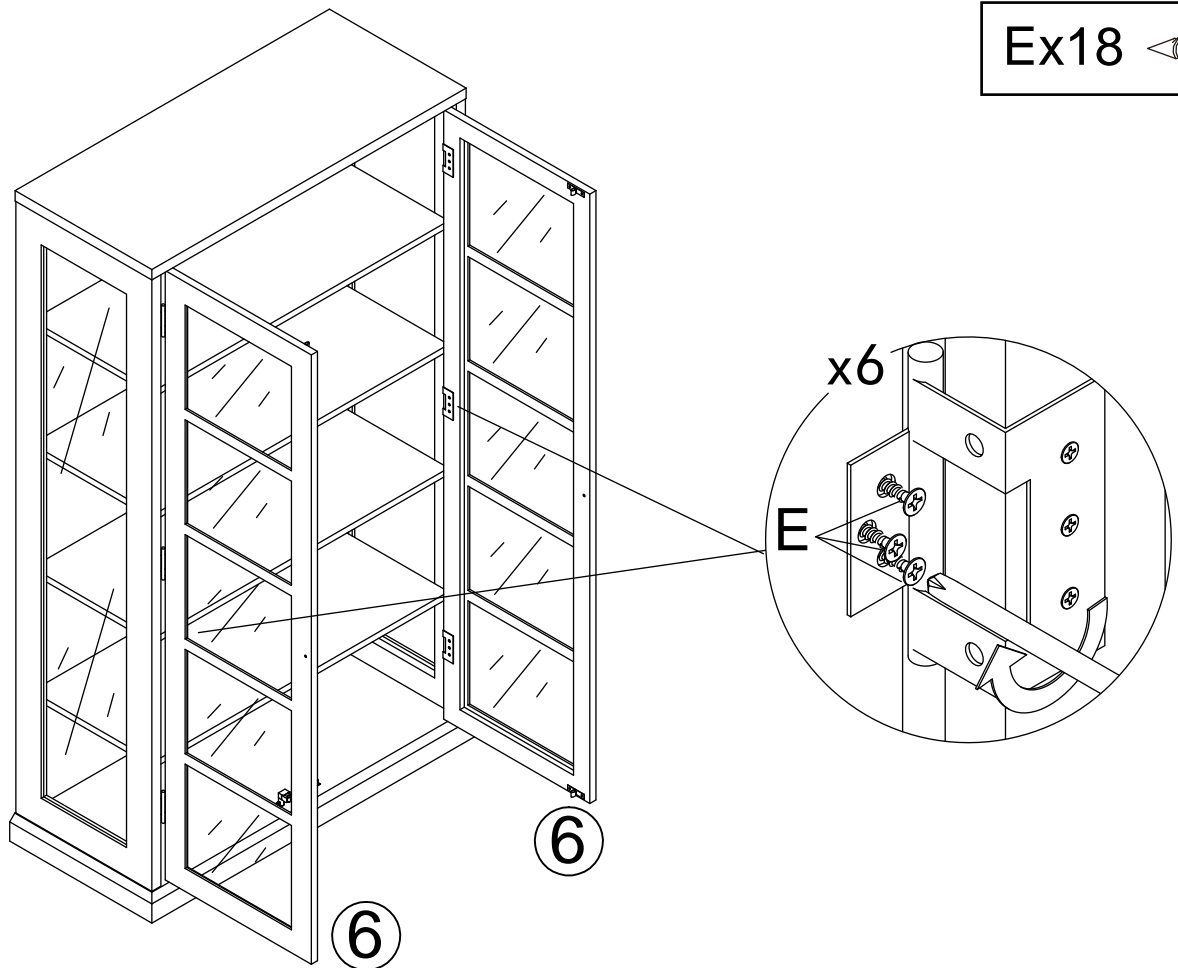
7

Gx6	
Hx4	
Ex26	

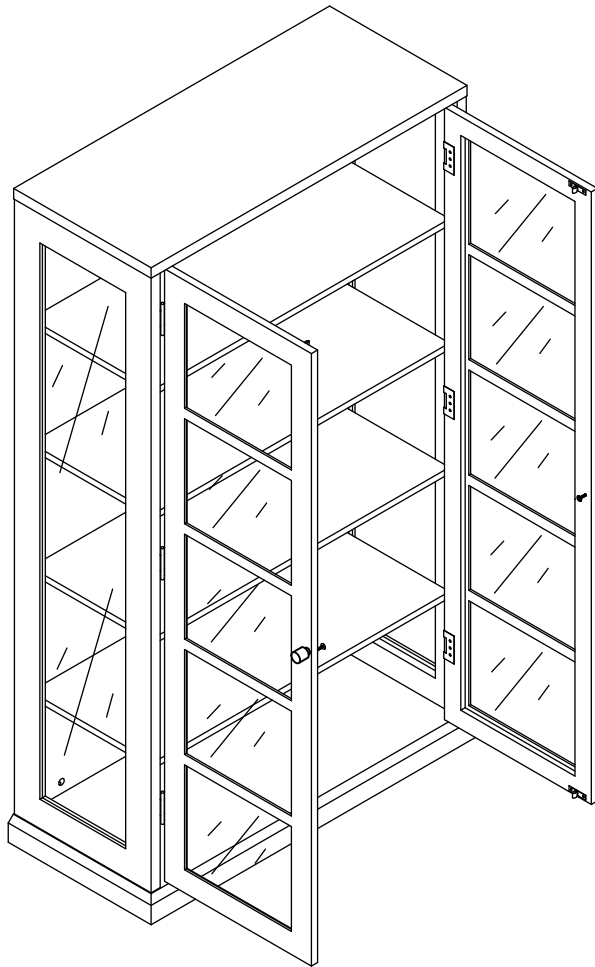




8

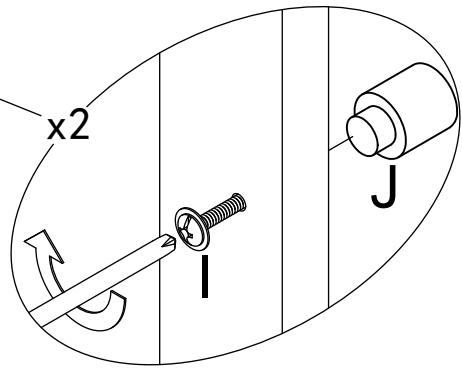
Ex18	
------	---



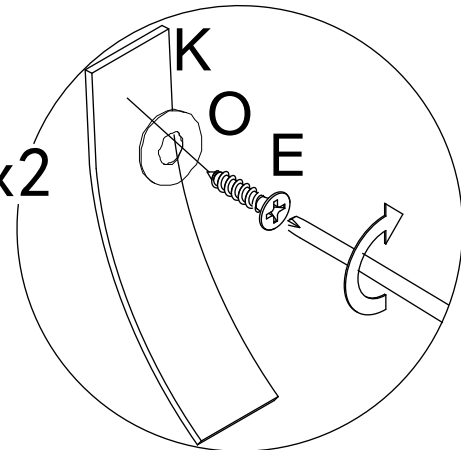
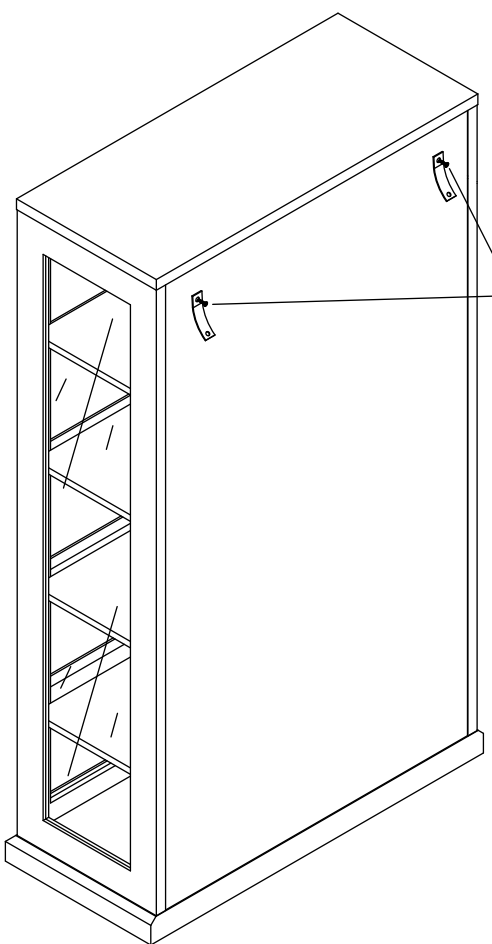
9






- Ix2 
- Jx2 

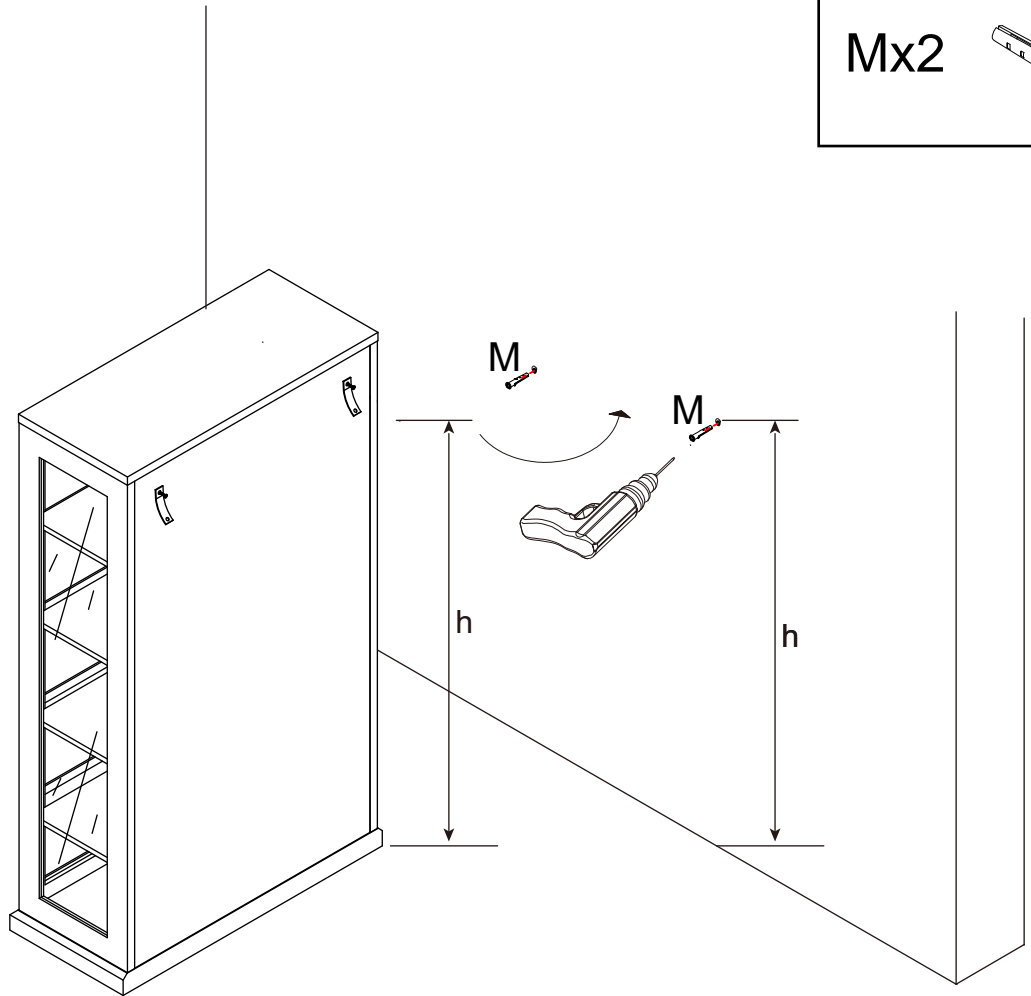
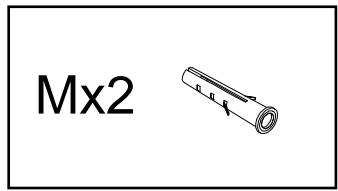
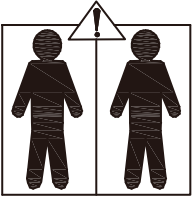


10



- Ox2 
- Ex2 
- Kx2 

11



12

