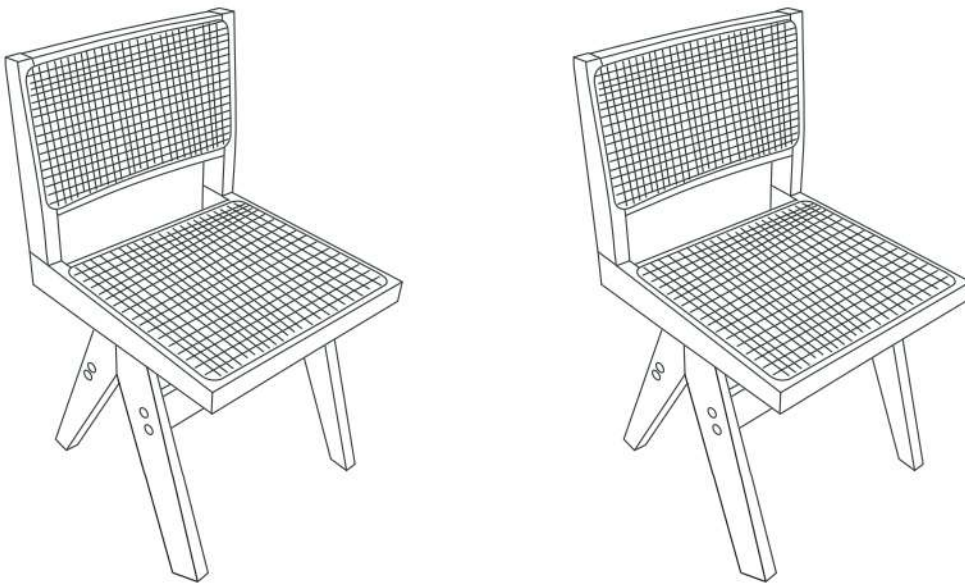


Assembly Instruction
Rattan Dining Chairs
IHD-RTC02



Customer Service Before Return:






If part is missing or damaged, or you need help with assembly, please do not hesitate to contact us.

Before Assembly






IMPORTANT NOTE:

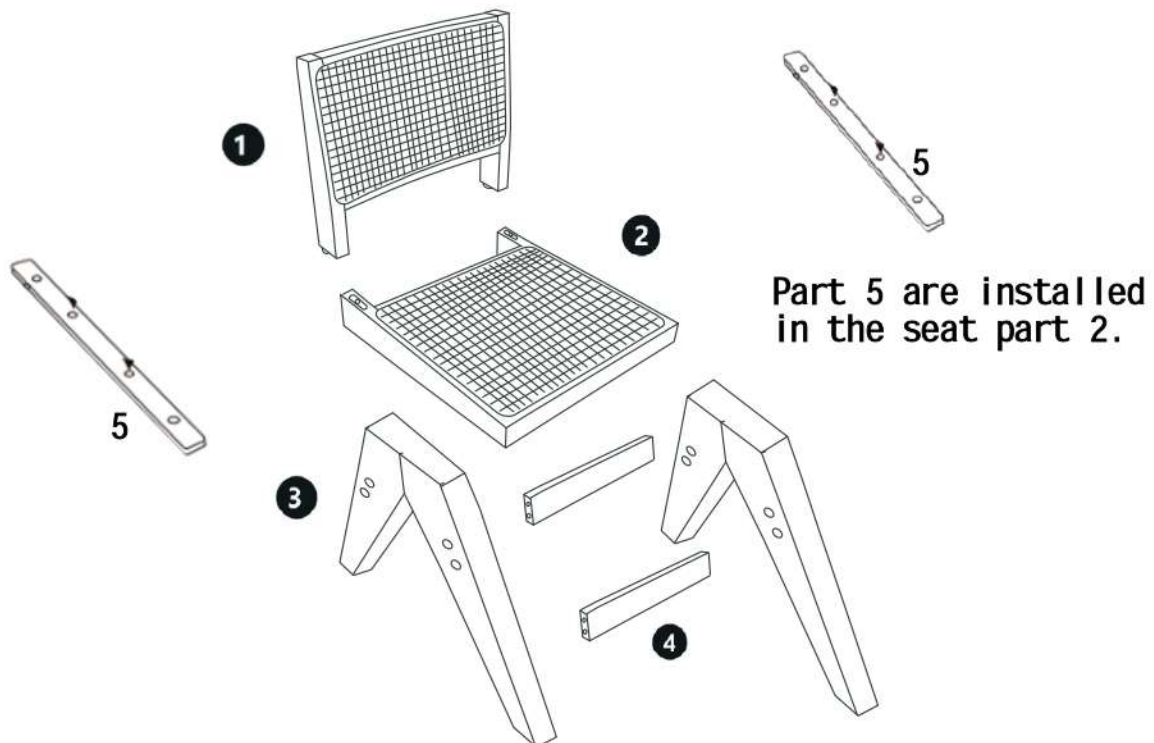
- Make sure all parts and hardware are included and free of obvious Defect before disposing of any packaging
- Place all wooden parts on a clean and smooth surface such as a rug or carpet to avoid the parts from being scratched.
- DO NOT tighten all screws and bolts until completely assembled.
- Assembly will require two people.

PART LIST

PART LIST						
1	2	3	4	5		
						
1 PC	1 PC	2PC	2 PCS	2 PCS <small>Pre -instal led</small>		

HARDWARE LIST

HARDWARE LIST						
A	B	C	D	E		
						
M6x40	M6x60	M6x25				
8PCS	2PCS	4PCS	1PC	8PCS		

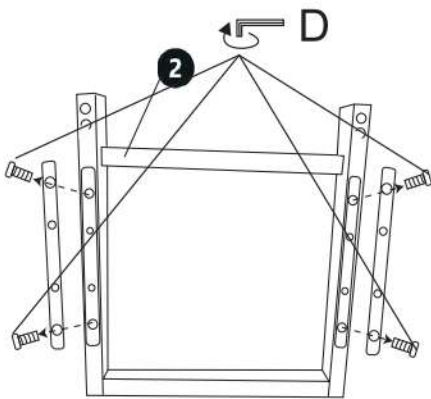


NOTED:

- 1. Do not fully tighten all bolts until all parts are in place. Failure to follow these instructions may cause the bolt to misalign during assembly.
- 2. To prevent injury and property damaged from unexpected tipping of furniture, we highly recommend installation of the anti-tip kit included with this product.

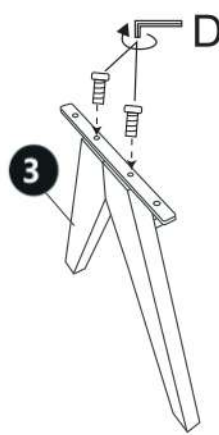
Assembly Instruction

Step 1



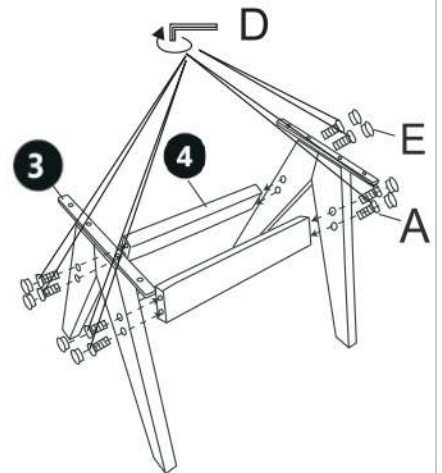
Loosen the screws under the seat cushion

Step 2



Put the iron sheet on the chair legs

Step 3



Step 4

