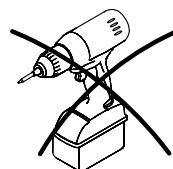
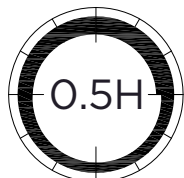
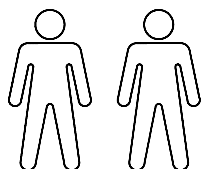
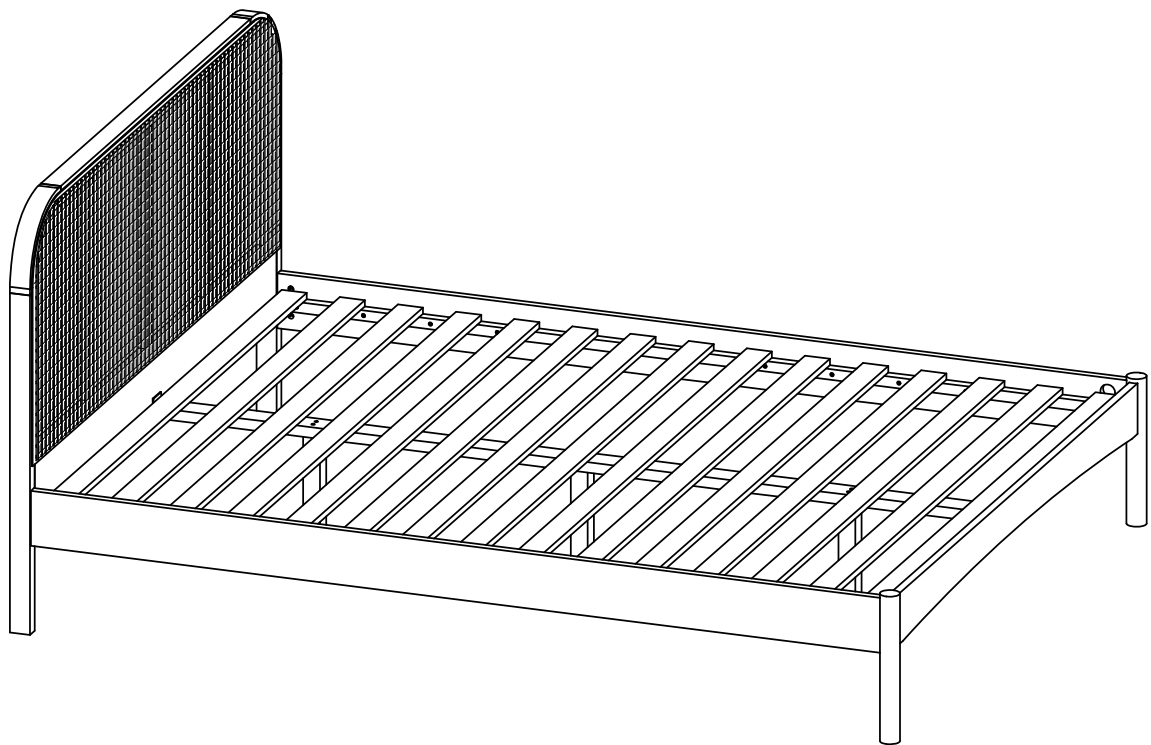


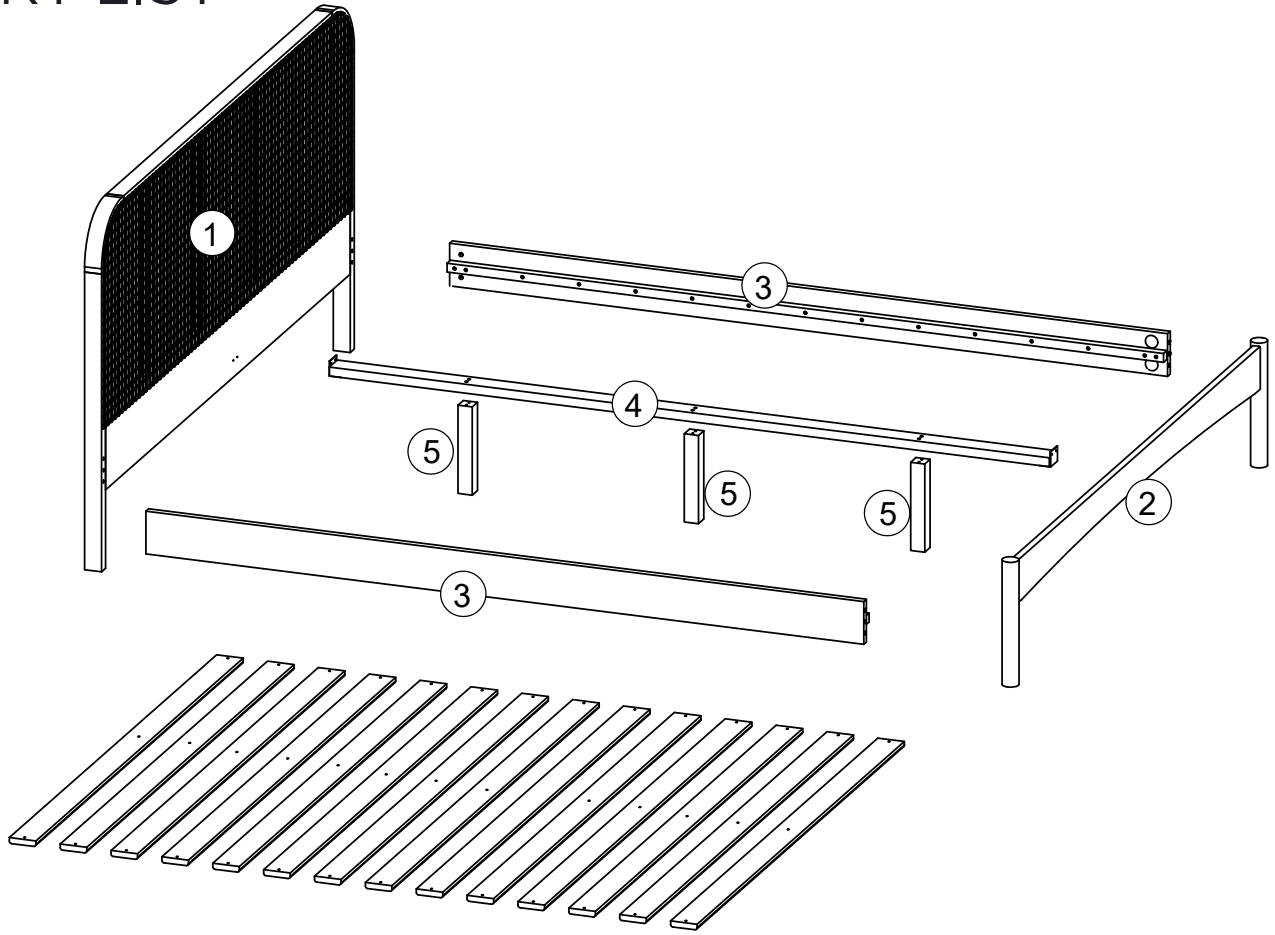
TEMPLE & WEBSTER

www.templeandwebster.com.au

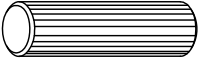

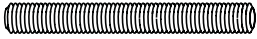
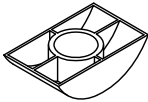

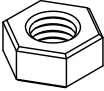
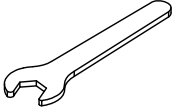
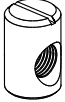
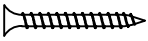
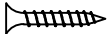
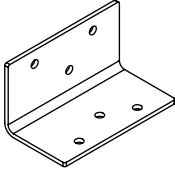
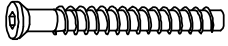



ASSEMBLY INSTRUCTION OCMAQBNT



PART LIST

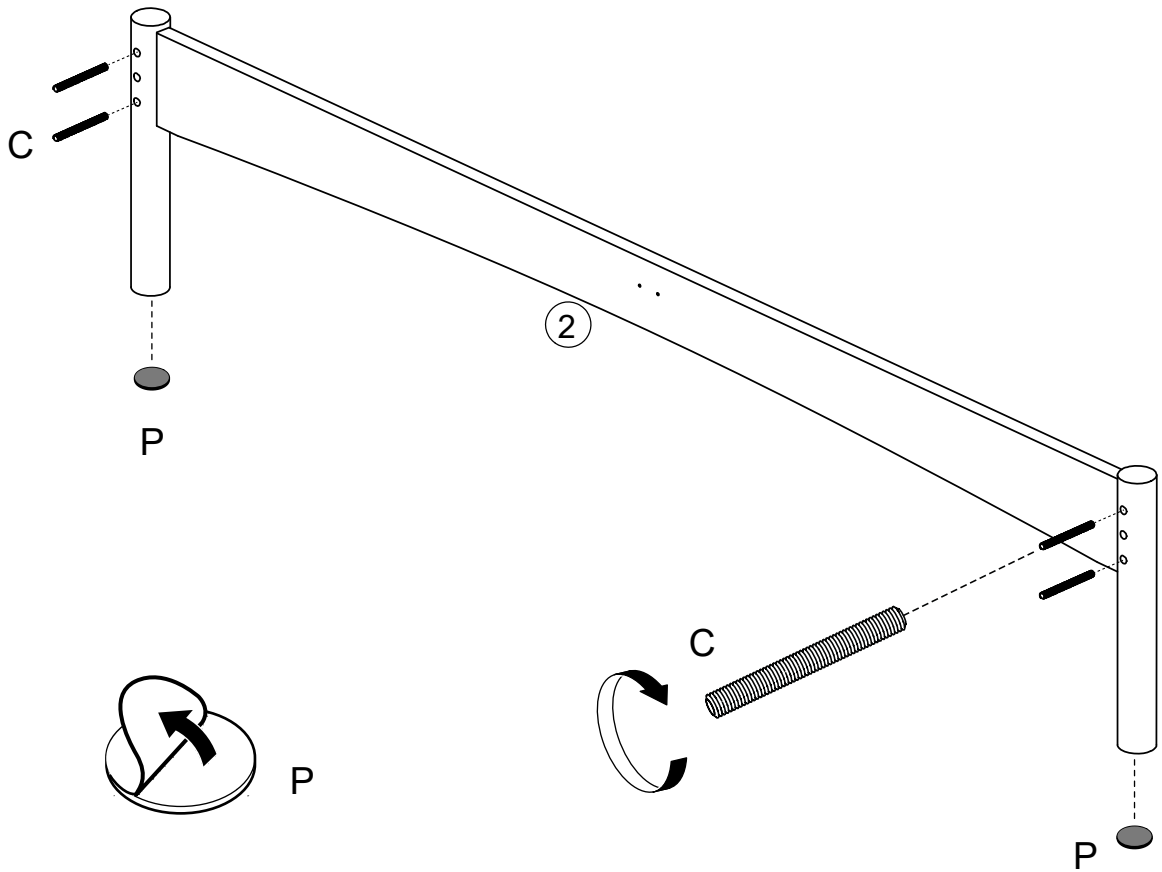


HARDWARE LIST

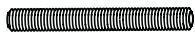
AX4 $\Phi 10 \times 30 \text{mm}$ 	BX4 $M8 \times 80 \text{mm}$ 	CX4 $M8 \times 70 \text{mm}$ 	DX4 
EX4 	FX4 	GX1 	HX4 $M8$ 
JX60 $\text{Ø}4 \times 30 \text{mm}$ 	KX12 $\text{Ø}4 \times 16 \text{mm}$ 	LX2 	MX6 $\text{Ø}7 \times 60 \text{mm}$ 
NX1 $M5$ 	OX1 $M4$ 	PX4 $\text{Ø}30$ 	

ASSEMBLY

1



M8x70



CX4

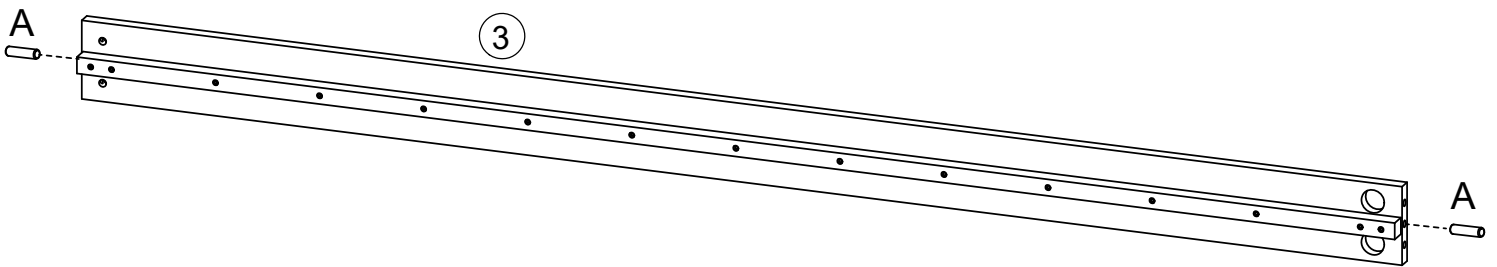
Ø30



PX2

2

X2

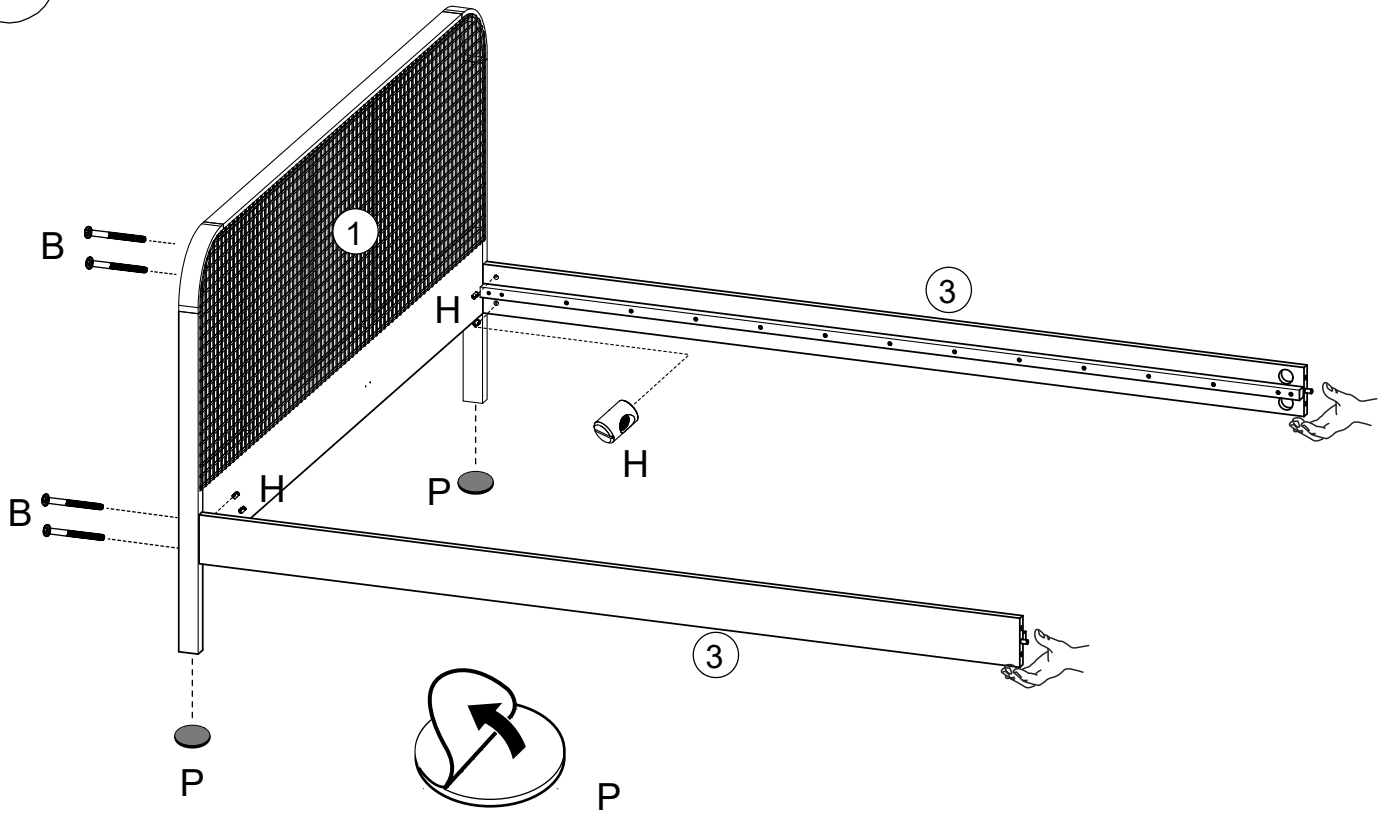


Φ10x30mm

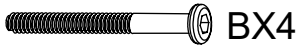


AX4

3



M8x80mm



M8



HX8

M5



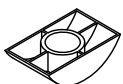
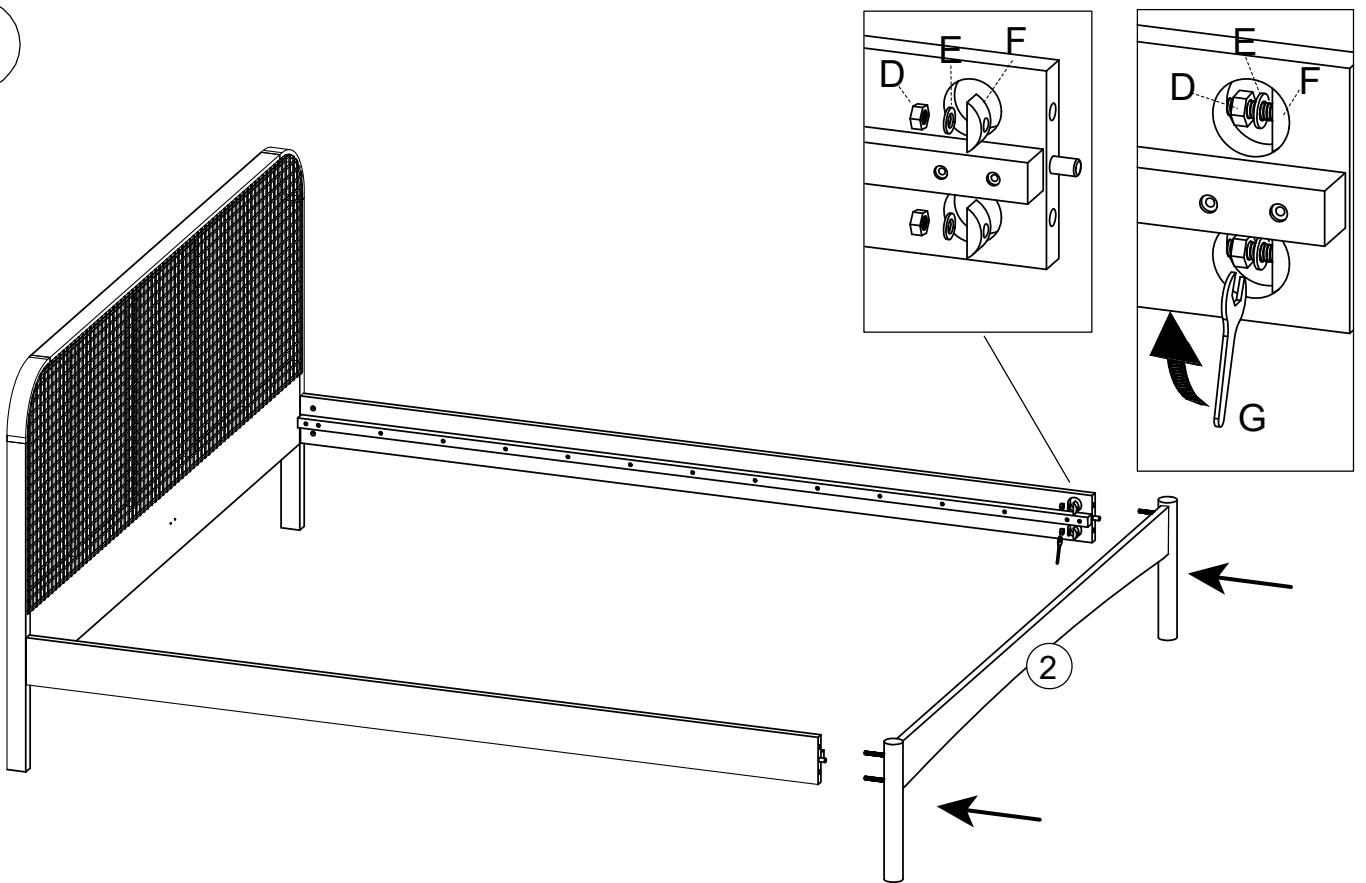
NX1

Ø30



PX2

4



DX4



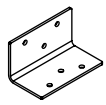
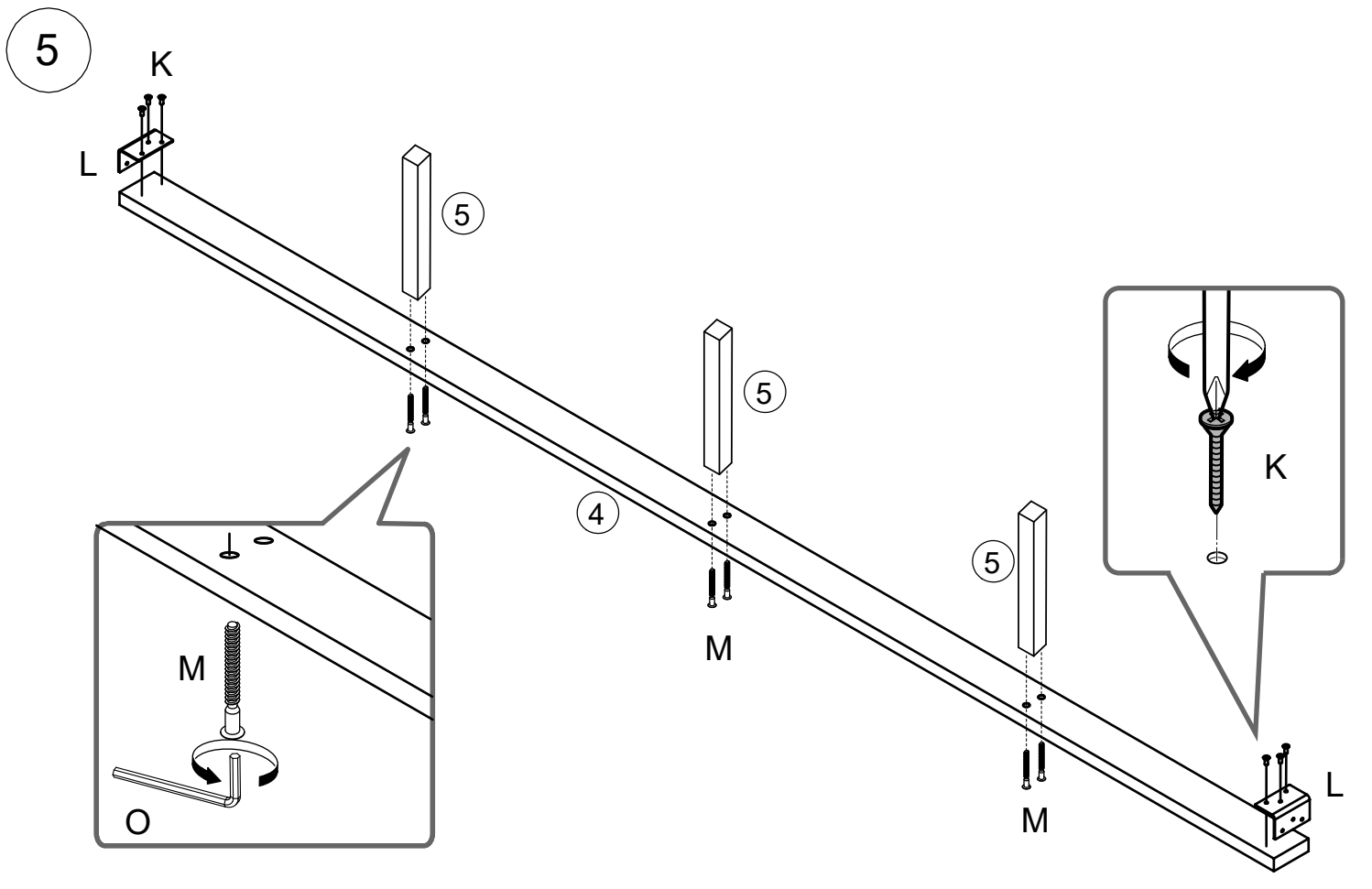
EX4



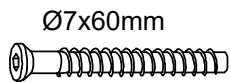
FX4



GX1



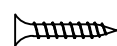
LX2



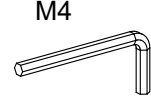
Ø7x60mm

MX6

Ø4x16mm



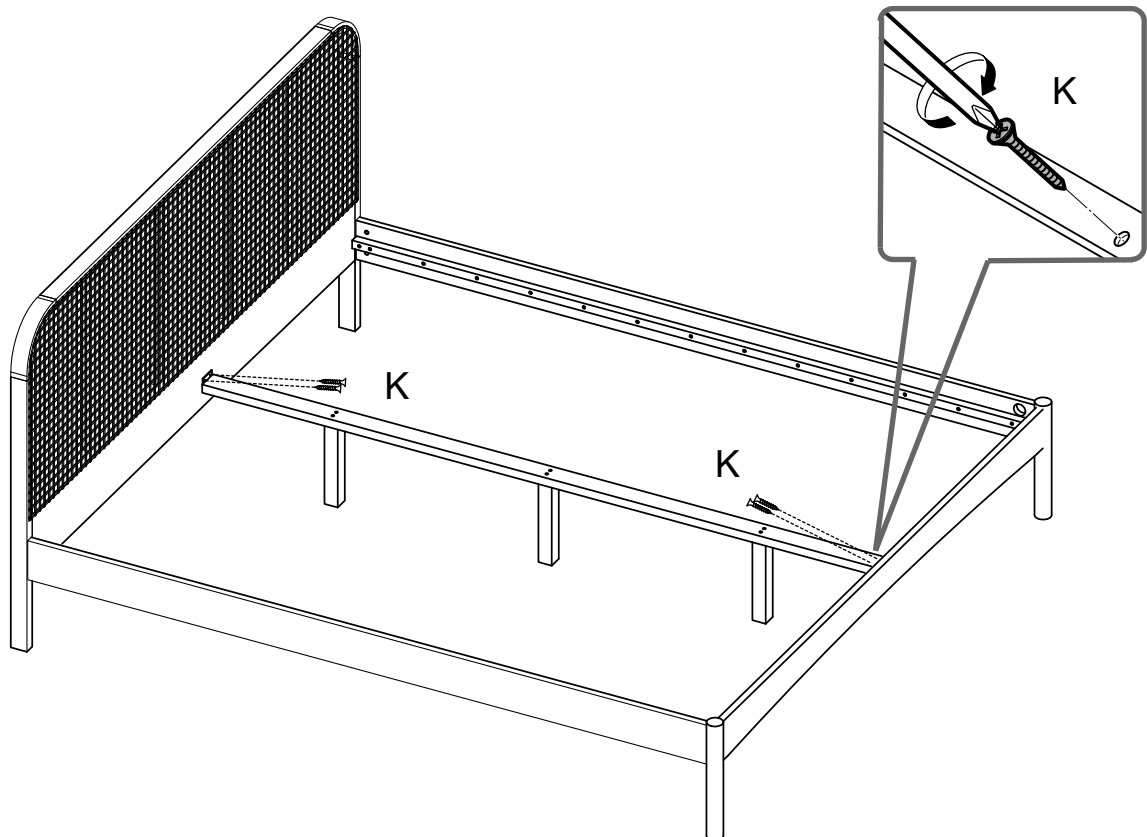
KX6



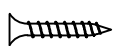
M4

OX1

6

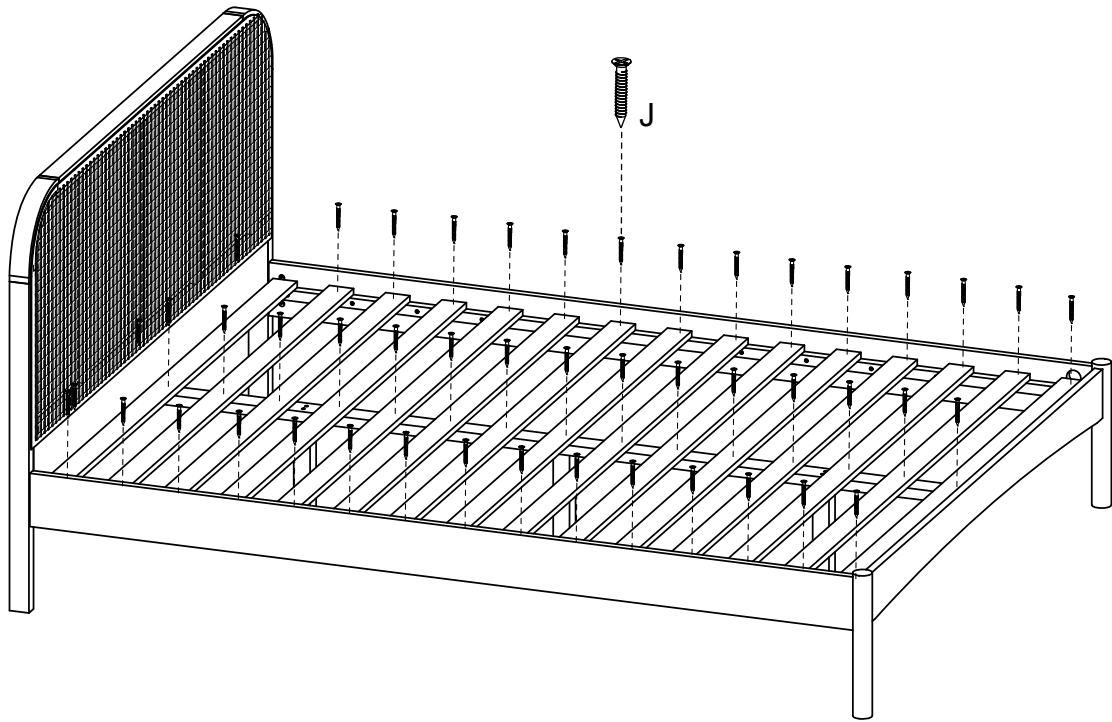


Ø4x16mm

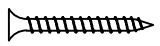


KX4

7



Ø4x30mm



JX45

8

