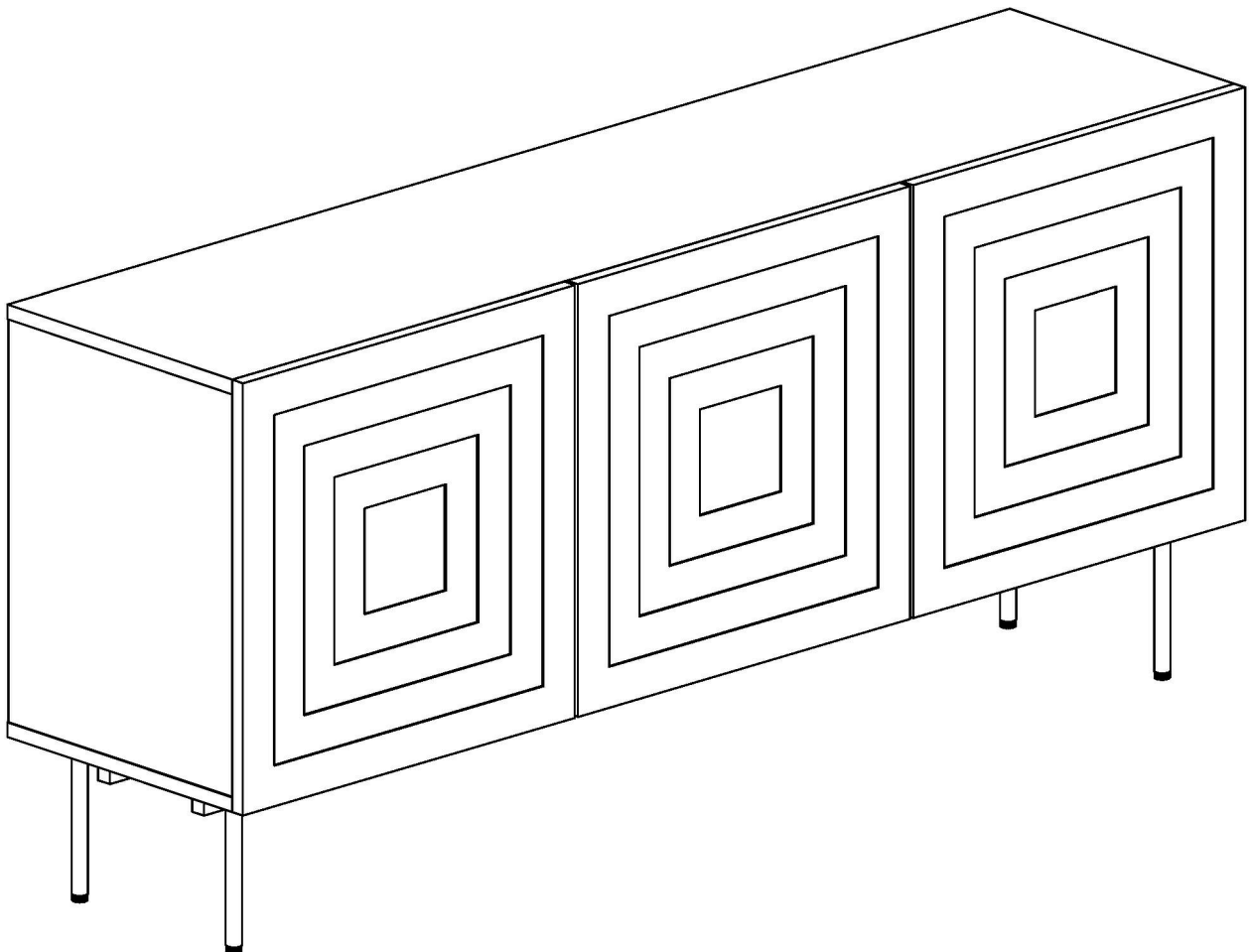


Assembly Instructions

Gio 3 Door Buffet



Two people required

www.templeandwebster.com.au

Keep these instructions for future reference

Assemble the furniture on a soft level surface to avoid damaging the furniture or your floor.

Parts of the assembly will be easier with 2 people.

We recommend furniture be assembled near where they will be placed, to avoid moving the product unnecessarily once assembled.

If there is a need to move the furniture, please remove all loose items and have extra hands to help lift the furniture to the desired location. Dragging the furniture will damage both the furniture and the floor.

Regularly check and re-tighten (if necessary) all bolts on furniture that you have assembled yourself.

Warning: In order to prevent overturning, this product must be used with the wall attachment device provided.

Care and Maintenance of your Furniture

Wipe clean with a damp cloth. Use only water or a gentle detergent.
Wipe dry with a clean cloth.

Do not stand on the Furniture



WARNING:

It is **STRONGLY RECOMMENDED** that you **ANCHOR** this product.

Toppling furniture can cause serious injuries and death.

This product has been fitted with a bracket. To prevent your furniture from tipping forward it is strongly recommended that you securely attach this product to a wall or other solid surface, using the brackets provided and appropriate fixings.

IMPORTANT:

Regularly check that anchors are securely maintained.

Use safety drawer locks to prevent children climbing.

Stability of tall items may be affected by thick pile carpet or uneven floors.

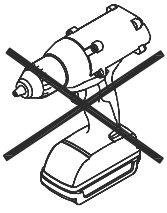
Do not place unanchored televisions on furniture.

CAUTION:

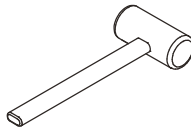
For your safety when attaching the anchor fixings, please note the following:

- Check for any electrical wires or plumbing inside the wall before drilling any holes (if you are unsure, please seek professional advice from a qualified tradesperson)
- Walls are constructed from different materials, for example, masonry (solid brick) or plasterboard lined cavity walls (hollow). It is important that you use the appropriate wall fixings for your wall type. If unsure, please seek professional advice on how to attach this safety bracket to your specific wall.
- Your local hardware store will have the necessary drills and fixings and can offer advice if needed. If in doubt, engage the services of a qualified tradesperson to install and anchor the product.

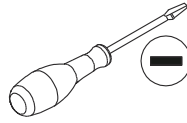
Tools Required



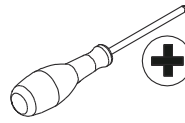
DO NOT USE



Mallet

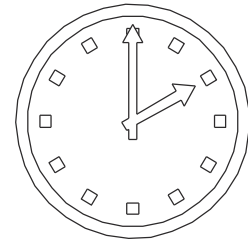


Flat head Screwdriver



Cross Screwdriver

Time Required



60 min

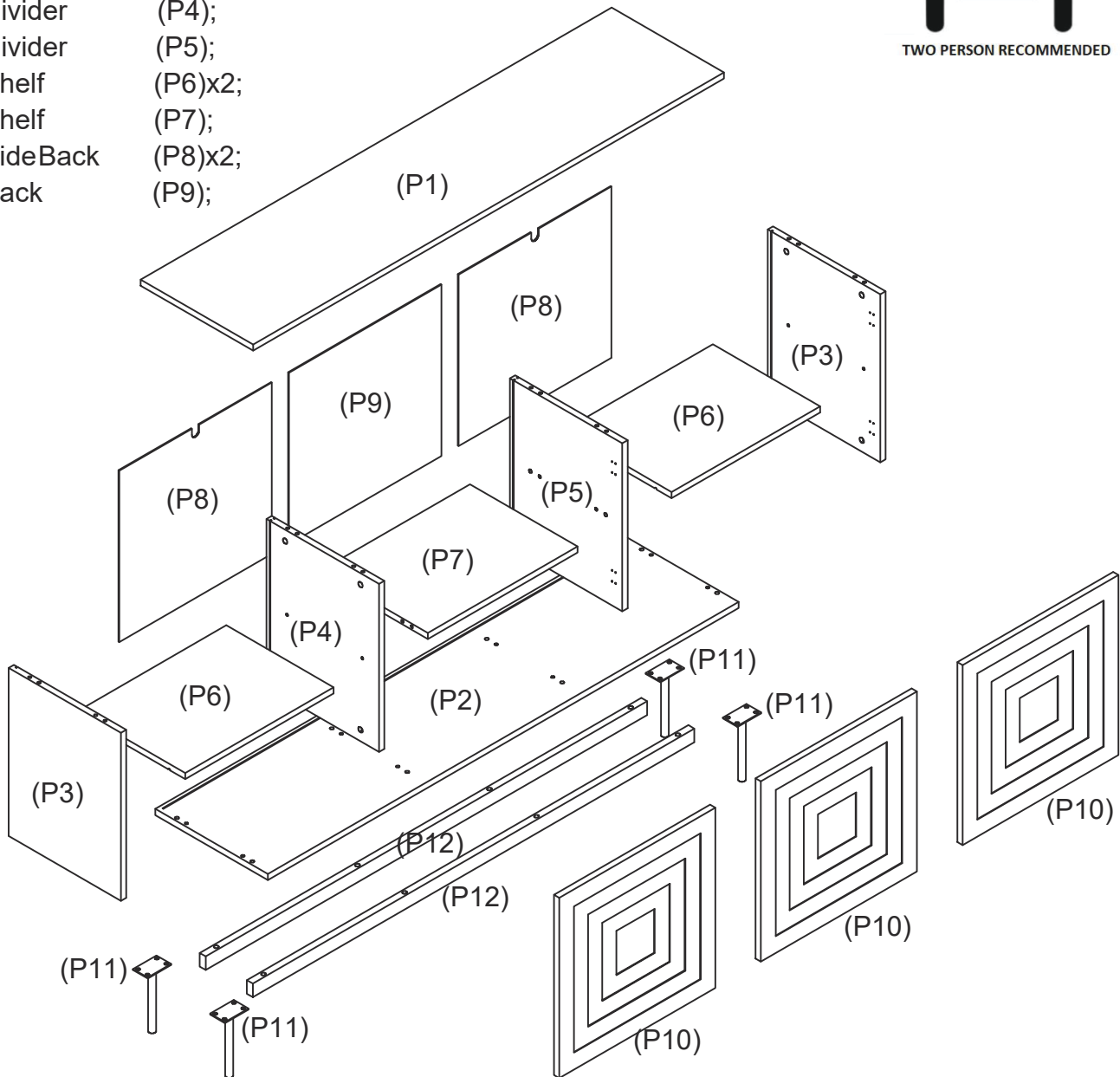
Parts List

Top	(P1);	Door	(P10)x3;
Bottom	(P2);	Leg	(P11)x4;
Side	(P3)x2;	Support Rail	(P12)x2.
Divider	(P4);		
Divider	(P5);		
Shelf	(P6)x2;		
Shelf	(P7);		
SideBack	(P8)x2;		
Back	(P9);		

People Required



TWO PERSON RECOMMENDED

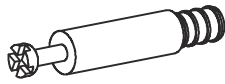


Hardware/Fittings



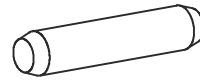
Locking Nut x 20

①



Connecting Bolt x 20

②



Wood Dowel x 20

③



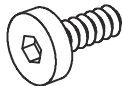
Screw x 42

④



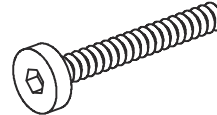
Shelf Support x 8

⑤



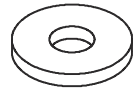
Bolt x 18

⑥



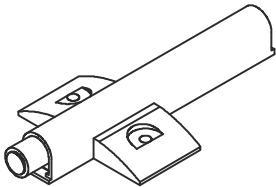
Bolt x 8

⑦



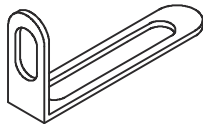
∅ 6x16mm
Washer x 26

⑧



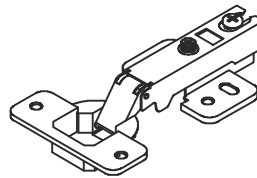
Push to Open x 3

⑨



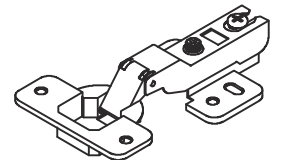
Bracket x 2

⑩



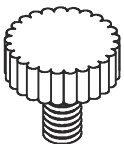
Hinge x 4

⑪



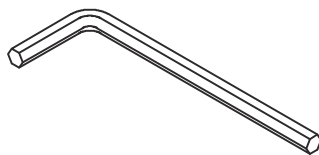
Hinge x 2

⑫



Foot x 4

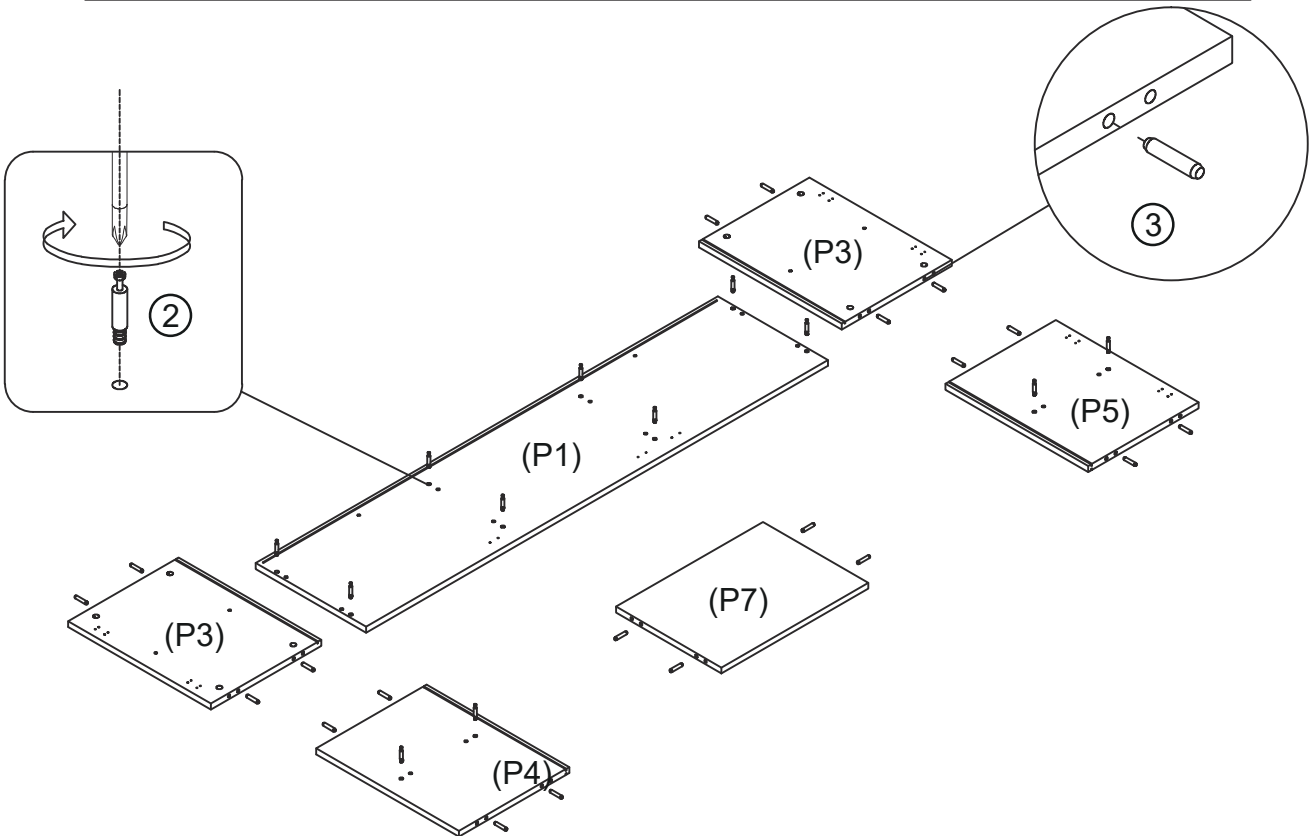
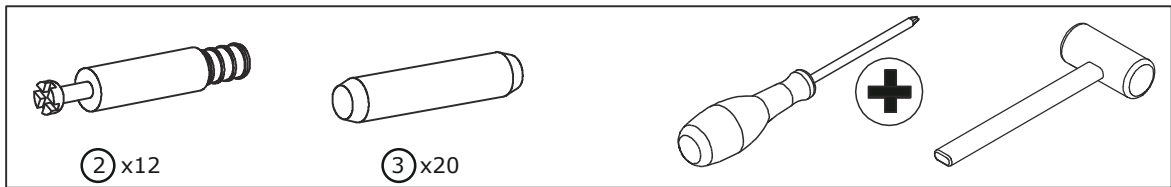
⑬



Allen Key x 1

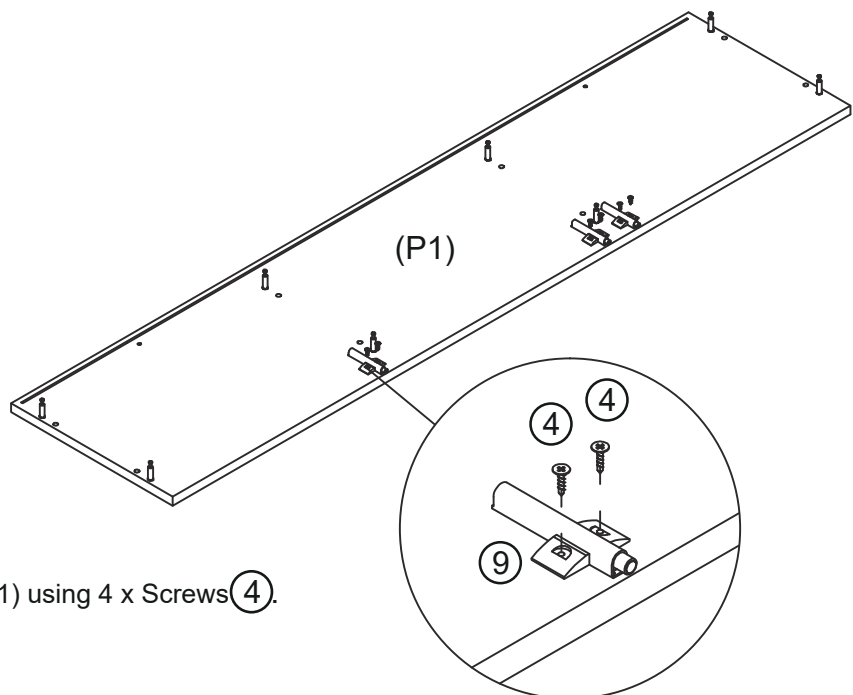
⑭

1



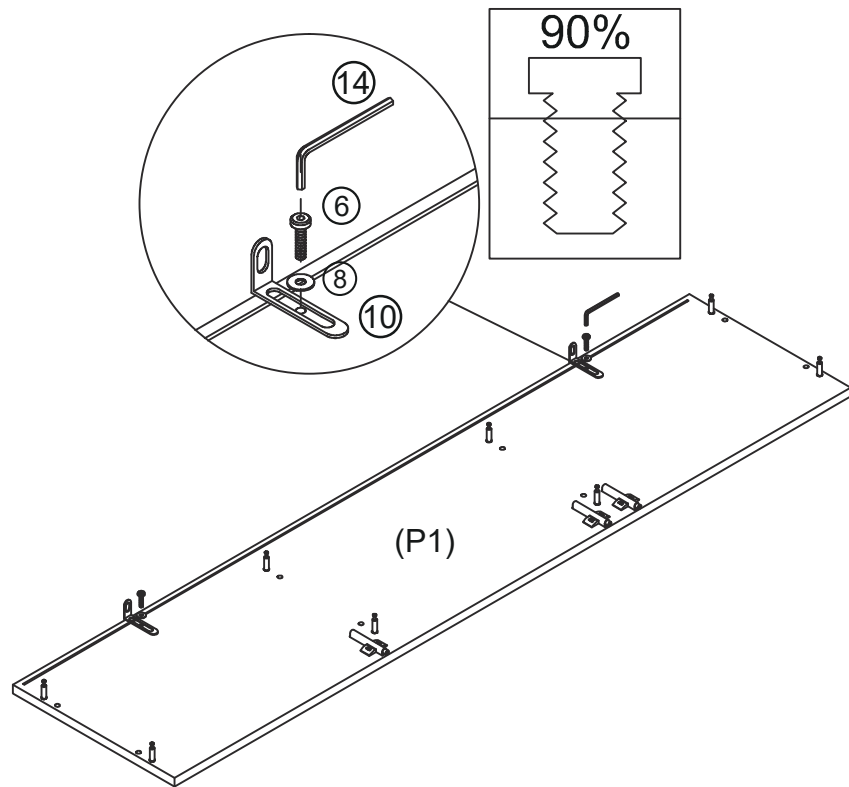
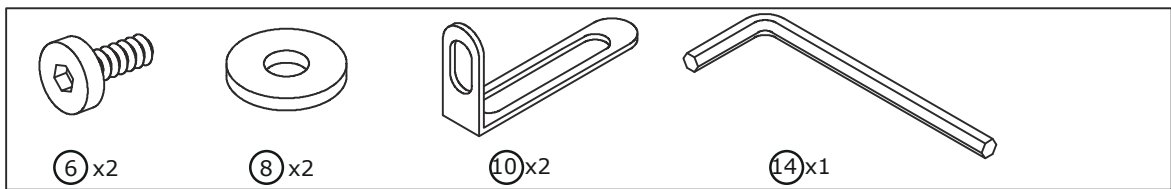
Insert 20x Wood Dowels ③ into Left and Right Side (P3), Divider (P4) and (P5), Shelf (P7). If necessary, gently tap the wood dowels with a mallet.
Screw 12x Connecting Bolts ② into Top (P1), Divider (P4) and (P5).

2



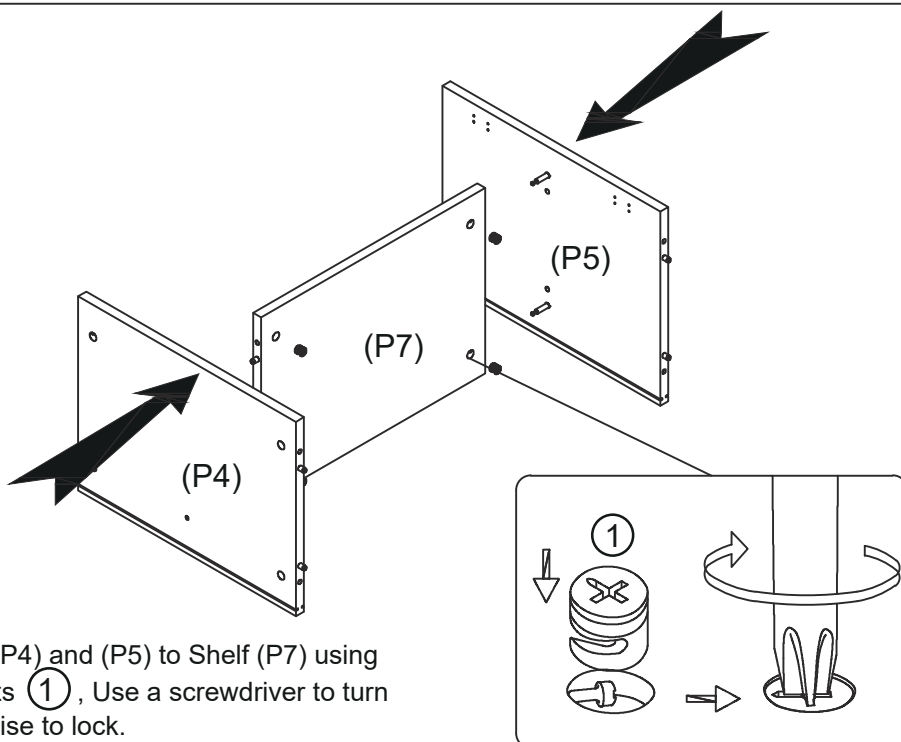
Fix 3 x Push to Opens ⑨ to Top (P1) using 4 x Screws ④.

3



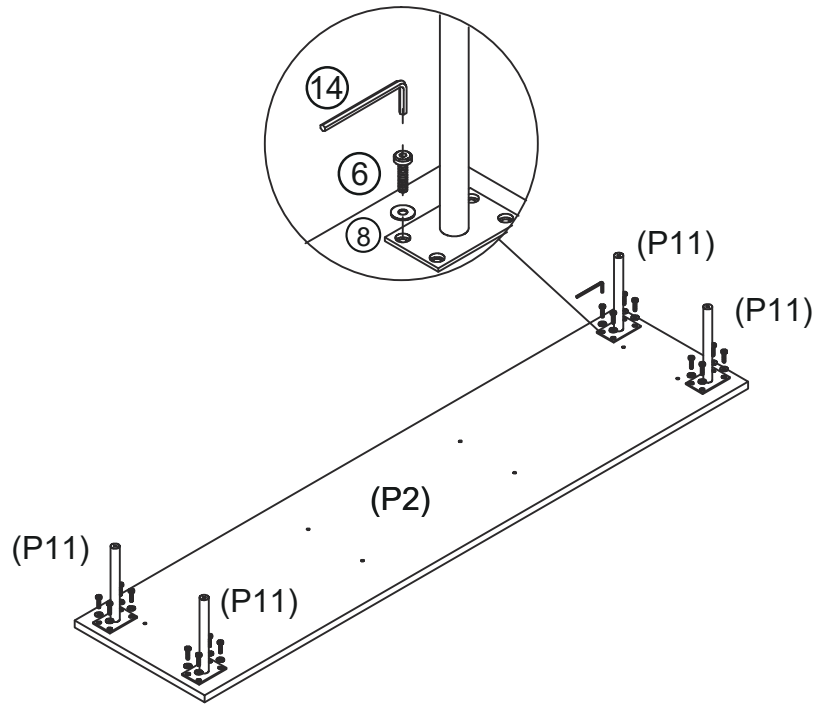
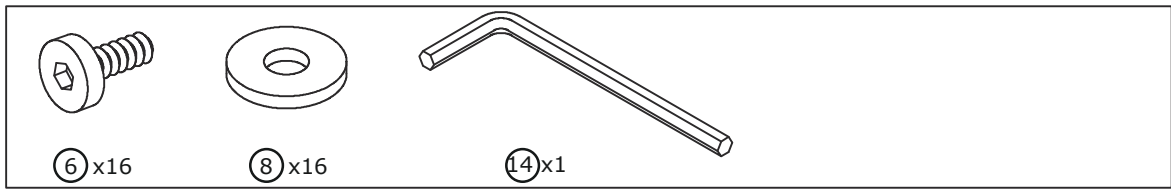
Loosely attach 2 x Brackets ⑩ to Top (P1) using 2 x Bolts ⑥, 2 x Washers ⑧ by Allen Key ⑭.

4



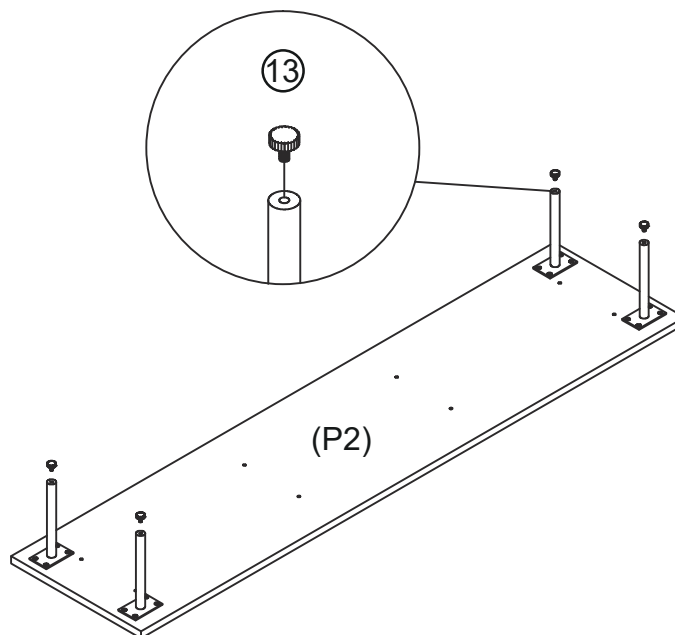
Attach Divider (P4) and (P5) to Shelf (P7) using 4 x Locking Nuts ①, Use a screwdriver to turn the nuts clockwise to lock.

5



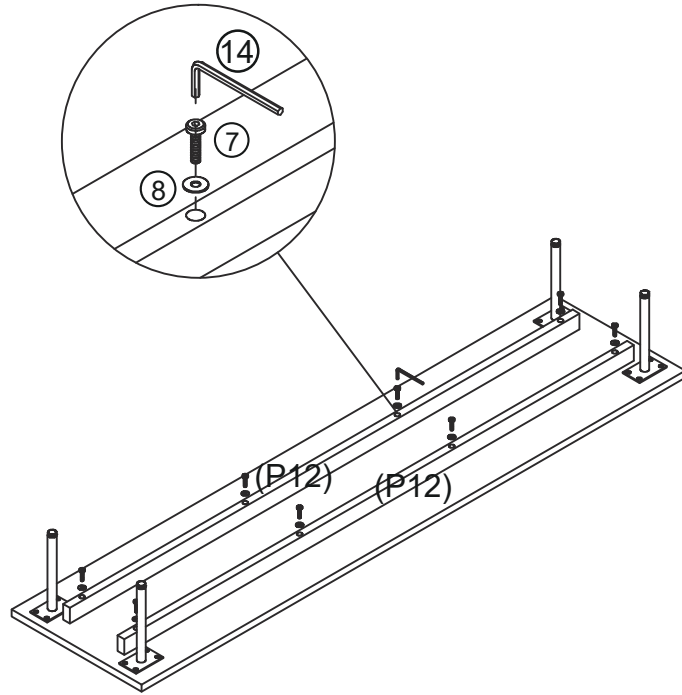
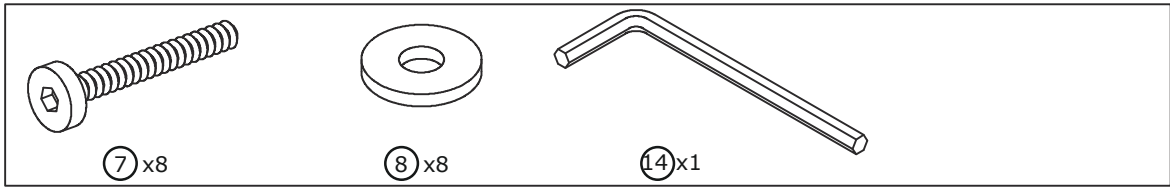
Attach 4 x Legs (P11) to the Bottom (P2) using 16 x Bolts (6), 16 x Washers (8).
Tighten the bolts with Allen Key (14).

6



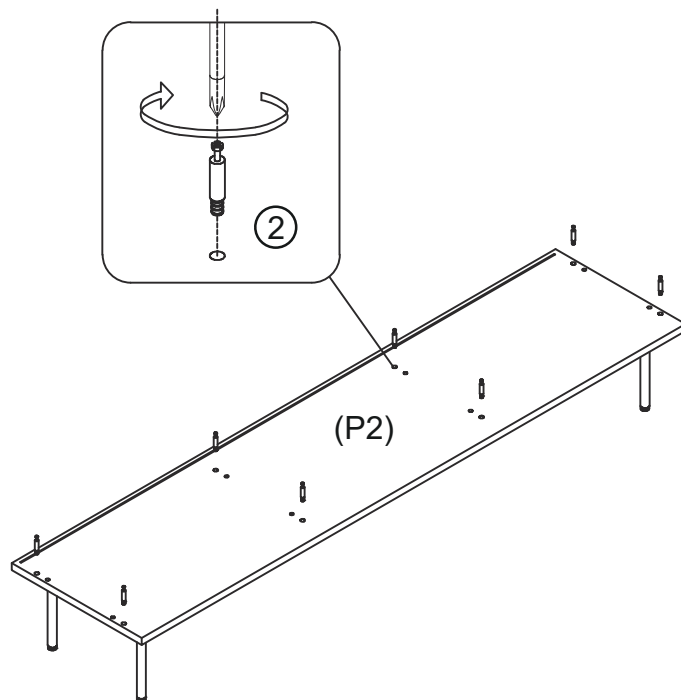
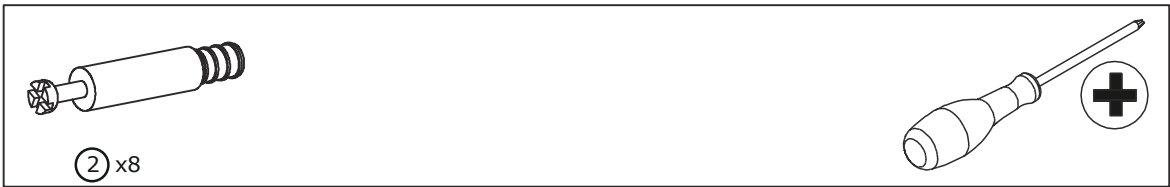
Screw 4 x Feet (13) to the Legs (P11).

7



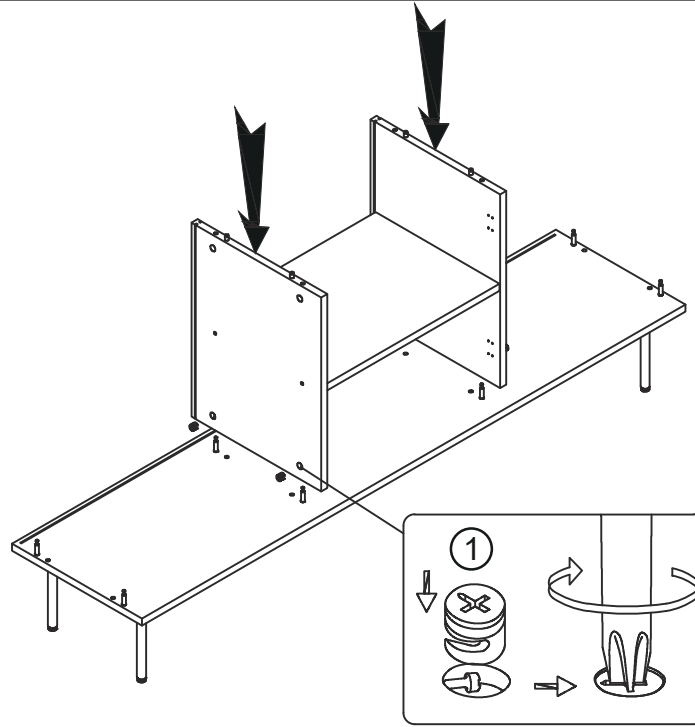
Attach 2 x Aprons (P12) to the Bottom (P2) using 8 x Bolts (7), 8 x Washers (8).
Tighten the bolts with Allen Key (14).

8



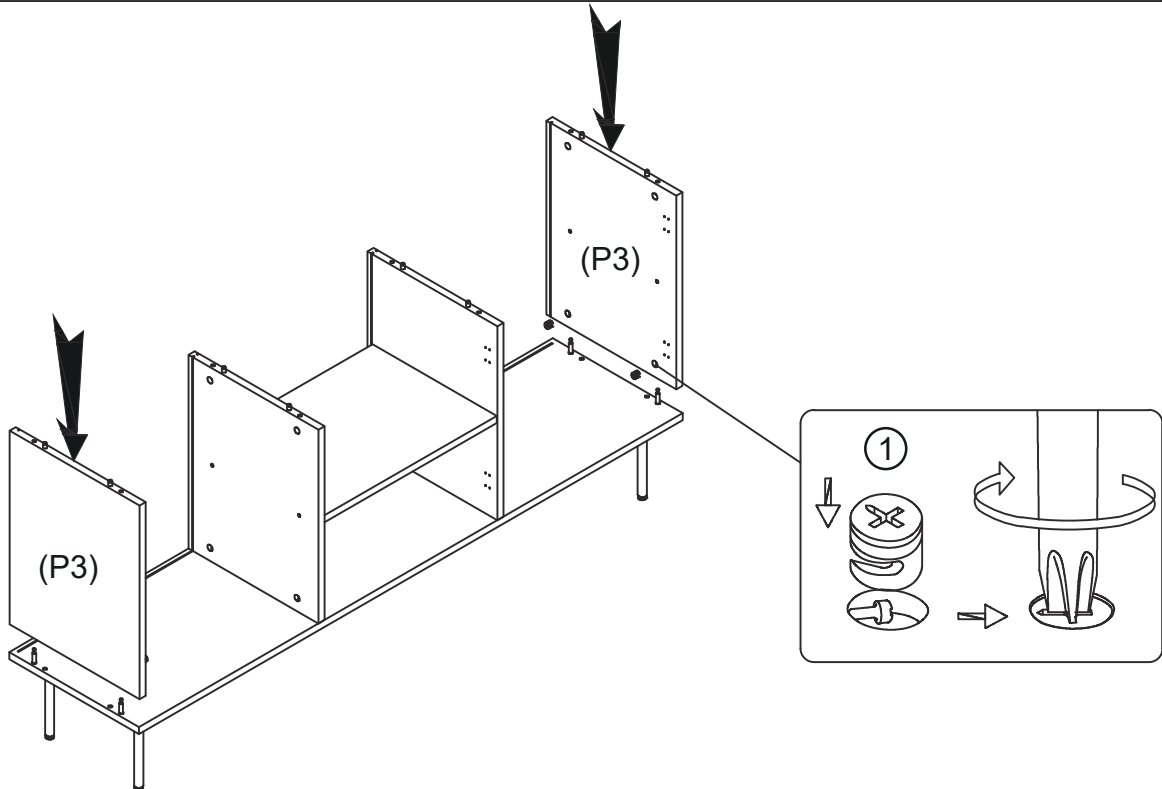
Screw 8 x Connecting Bolts (2) into Bottom (P2).

9



Attach Divider (P4) and (P5) to Shelf (P7) to the Bottom Base using 4 x Locking Nuts (1) , Use a screwdriver to turn the nuts clockwise to lock.

10

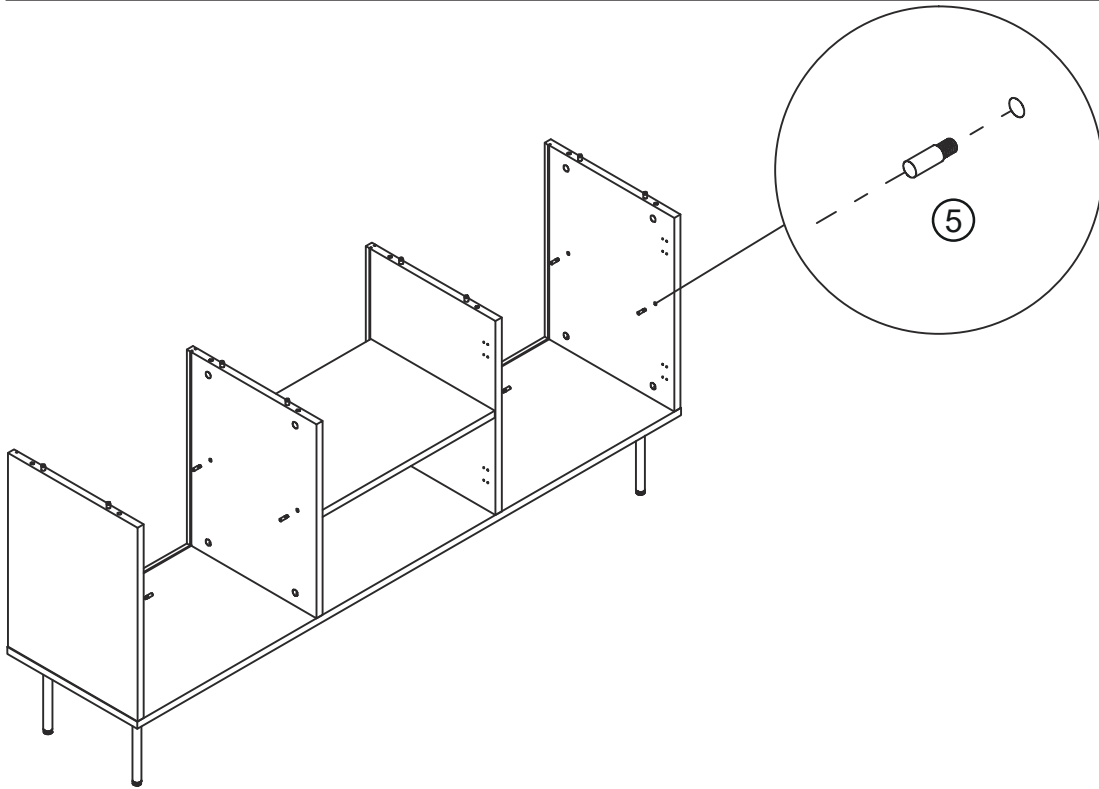


Attach 2 x Sides (P3) to the Bottom Base using 4 x Locking Nuts (1) , Use a screwdriver to turn the nuts clockwise to lock.

11

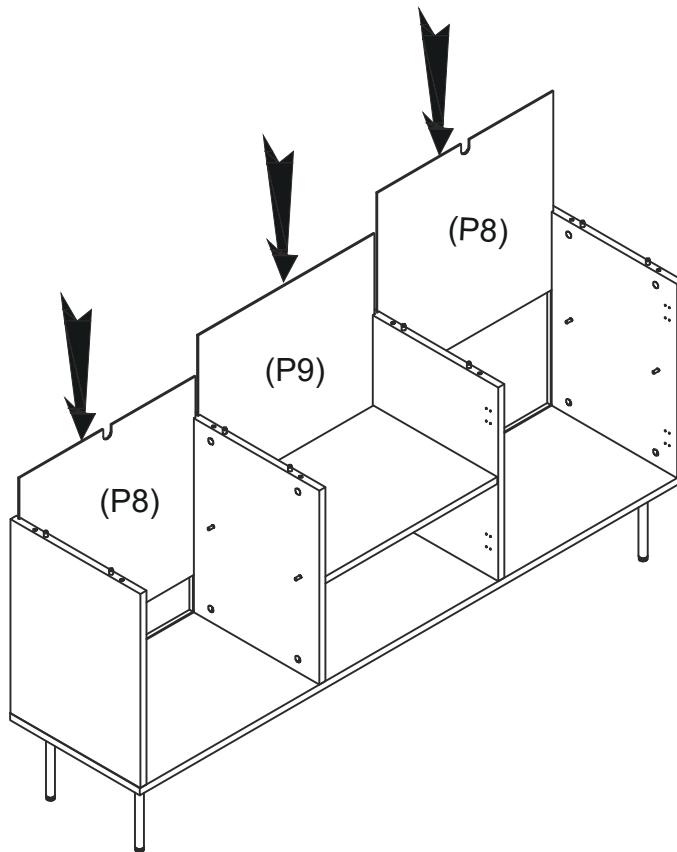


⑤ x8



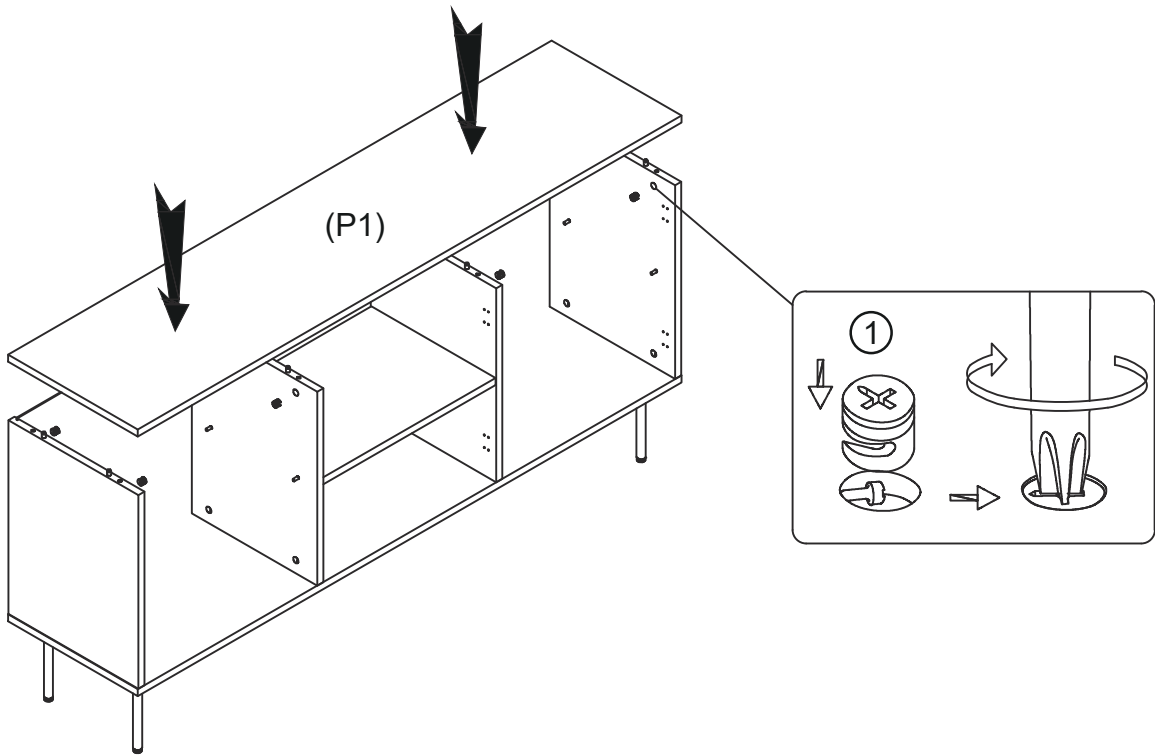
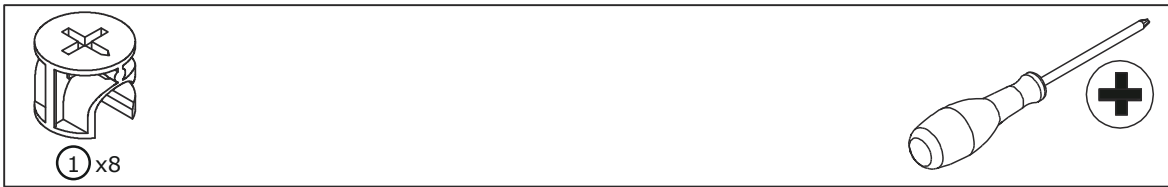
Insert 8 x Shelf supports ⑤ into desired locations on the Side and Divider panels.

12



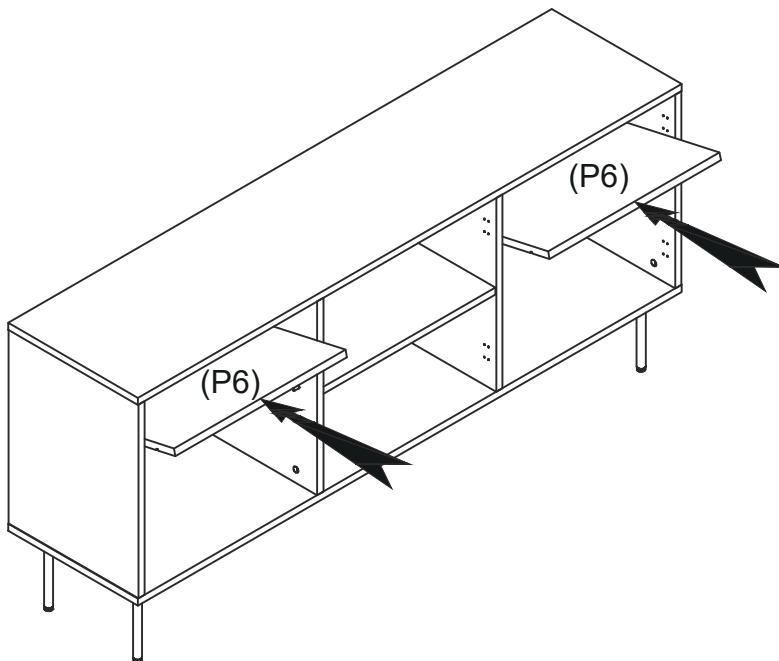
Slide 2 x Side Back (P8) and Middle Back (P1) into the Body.

13



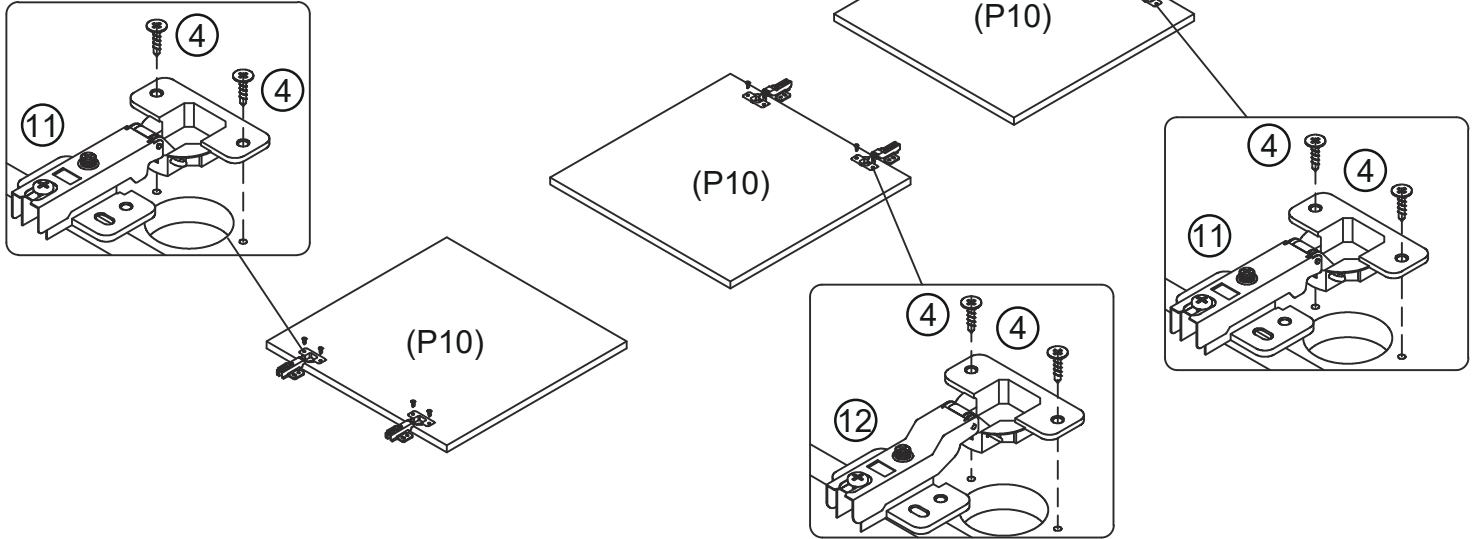
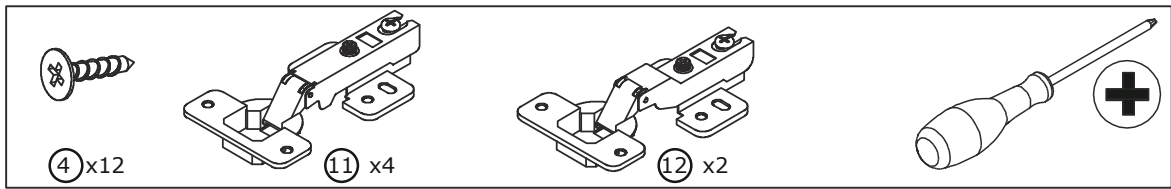
Attach Top (P1) to the Side (P3), Divider (P4) and (P5) using 8 x Locking Nuts (1),
Use a screwdriver to turn the nuts clockwise to lock.

14



Gently place 2 x Shelves (P6) as shown.

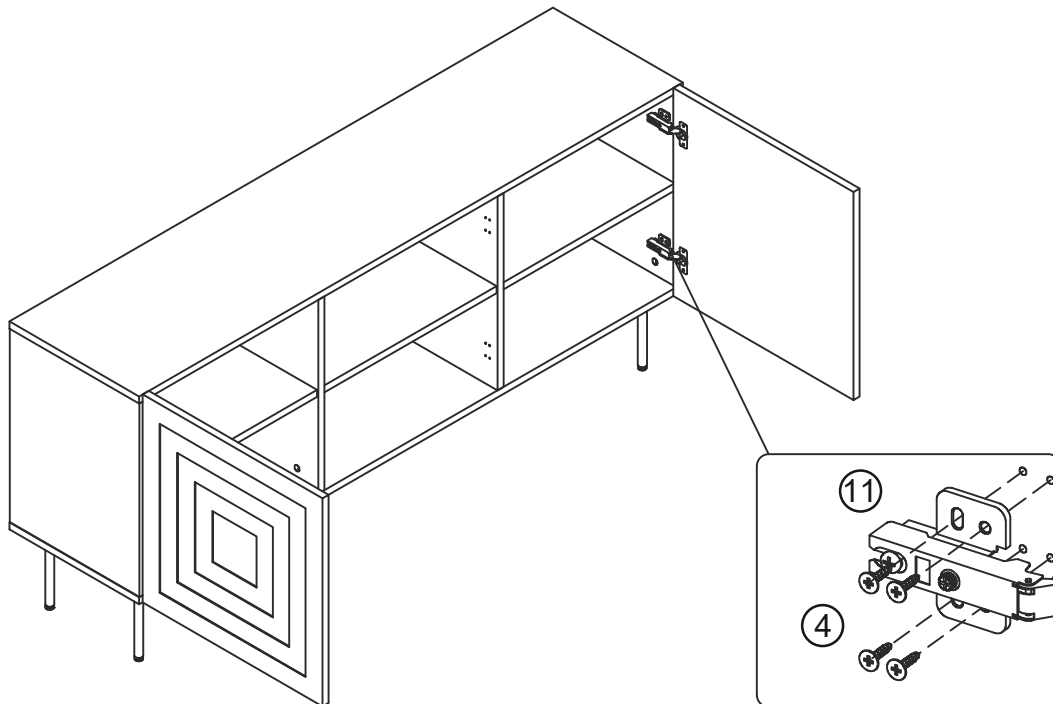
15



Fix 4 x Hinges (11) to 2 x Doors (P10) using 8 x Screws (4).

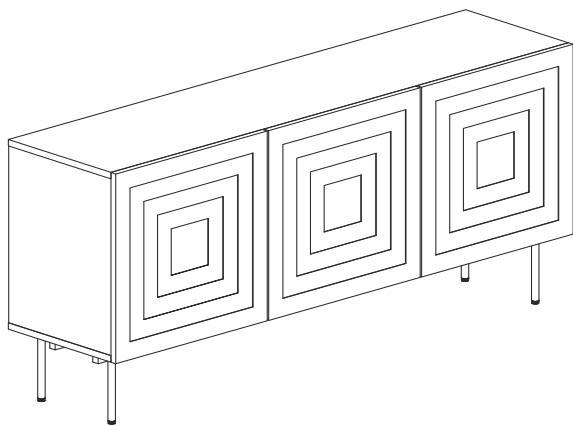
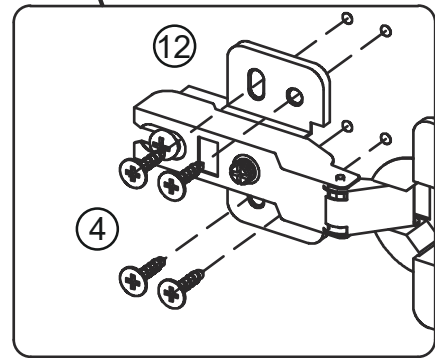
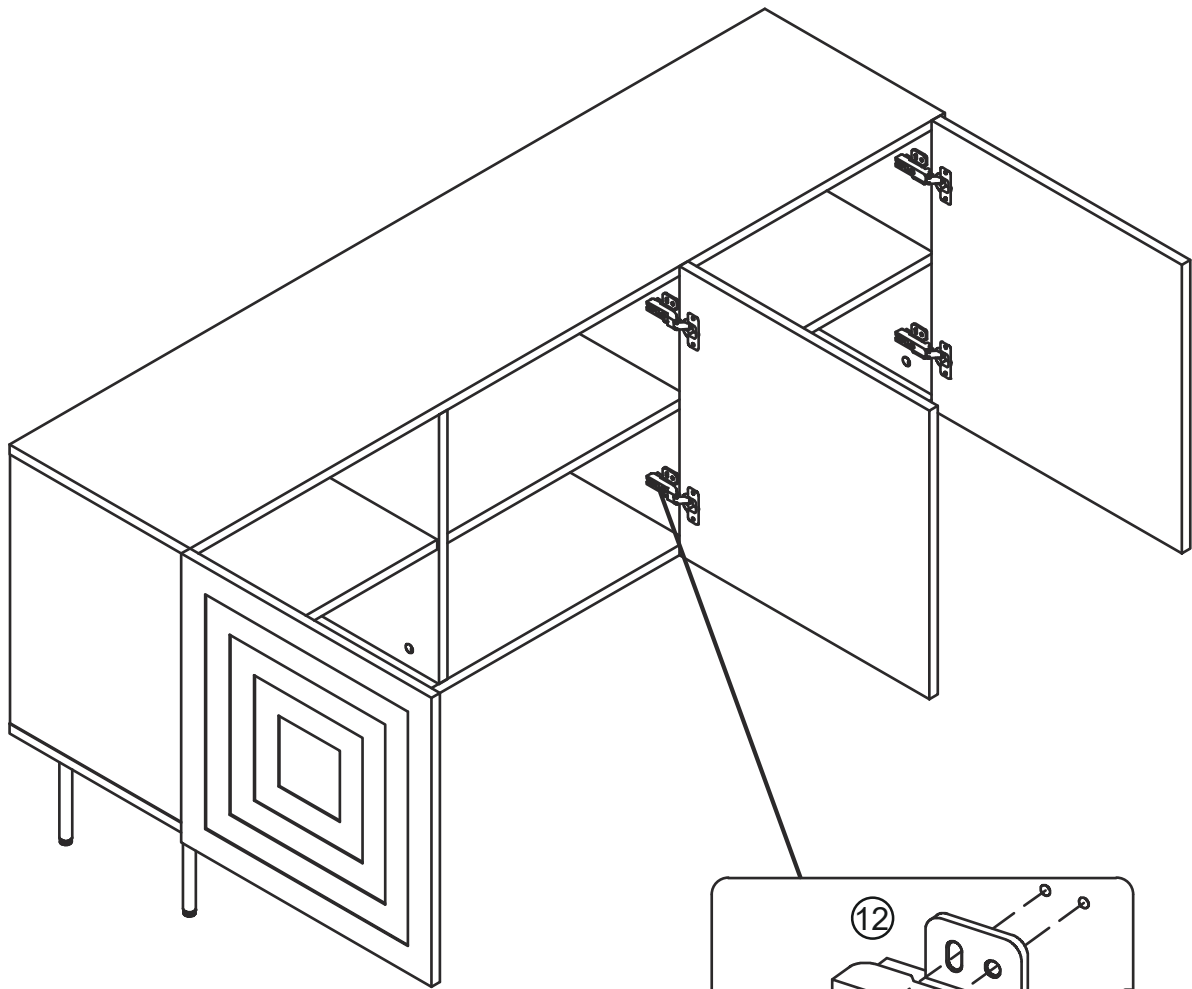
Fix 2 x Hinges (12) to Door (P10) using 4 x Screws (4).

16



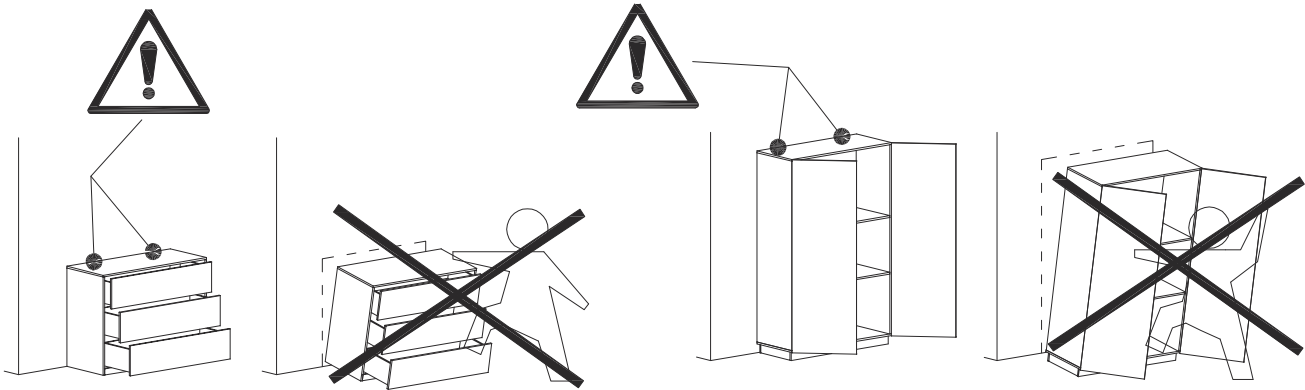
Attach the door on the sideboard as shown.

17

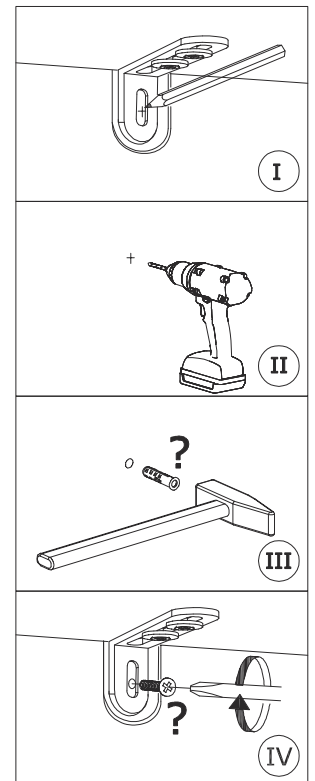
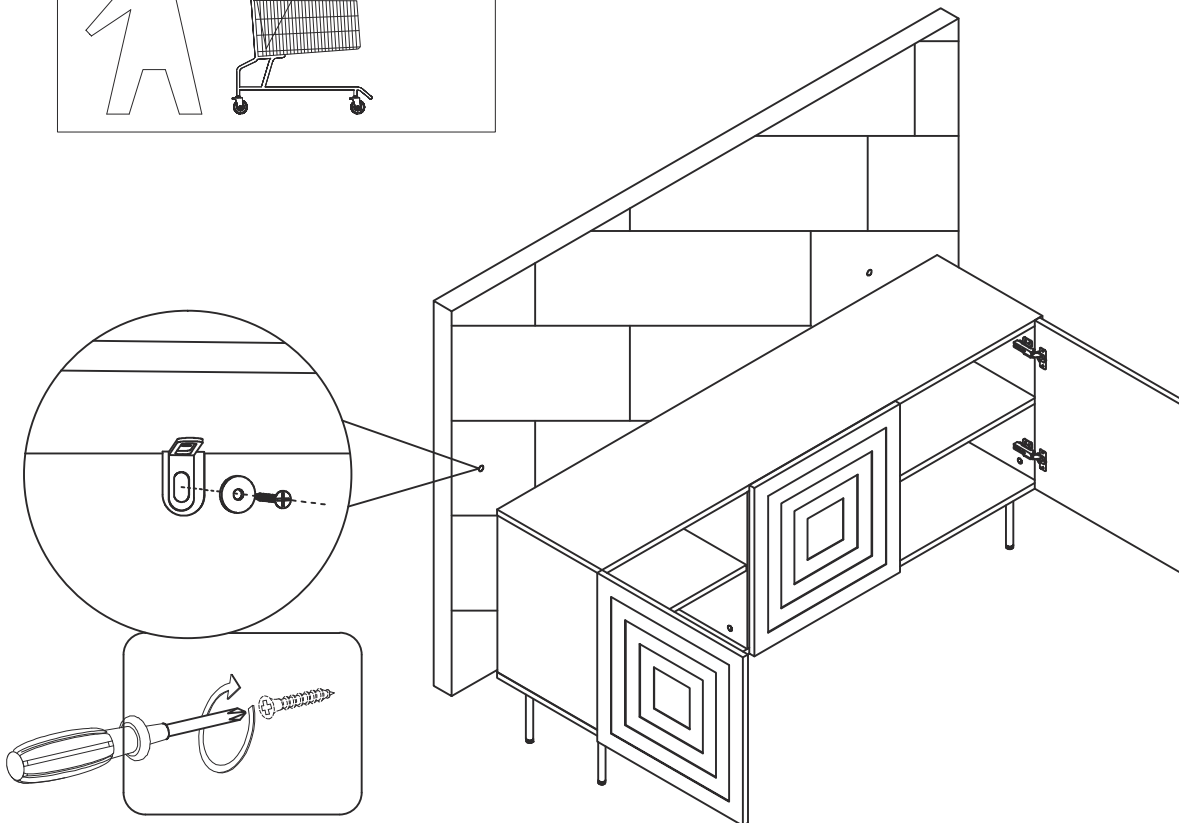
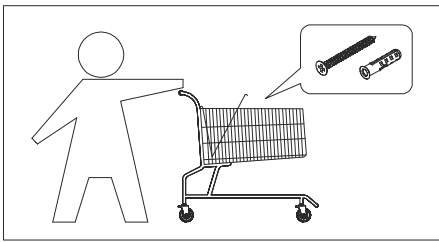


Attach the door on the sideboard as shown.

18

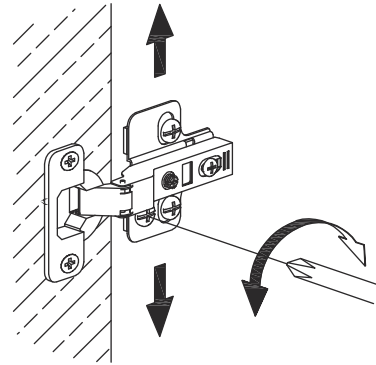
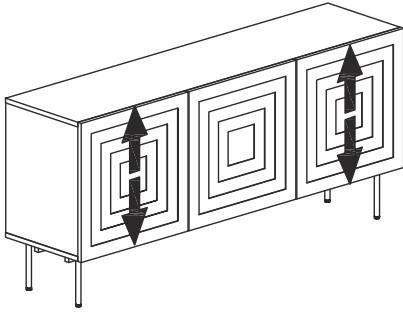


- I. With help, move the buffet into position. Mark drilling points on the wall.
- II. If necessary, remove the buffet and drill holes with sizes suitable for your wall fixings.
- III. Install wall fixings in the holes.
- IV. Fix the wall brackets to the wall with appropriate wall fixing screws.
- V. Fasten the wall brackets to the underside of the top panel.

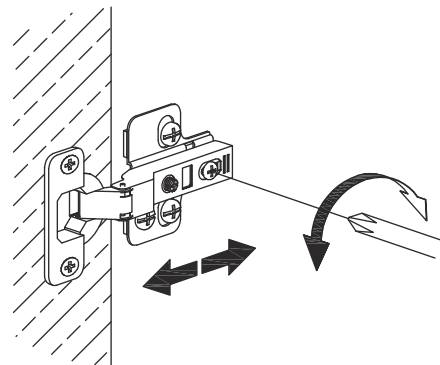
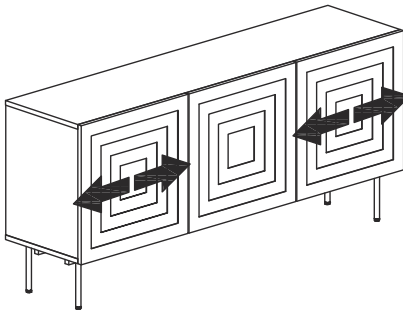


19

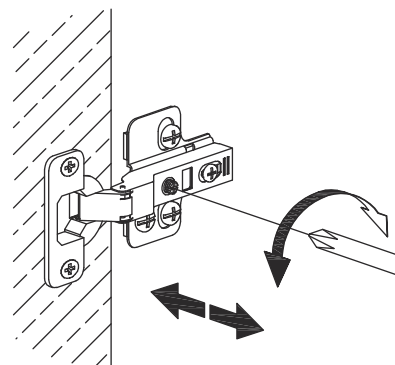
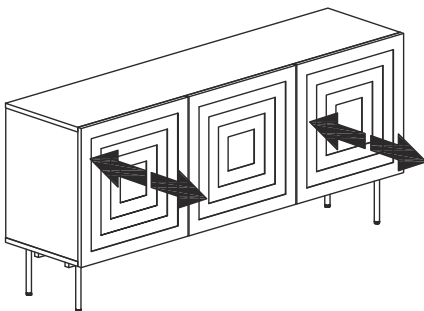
If adjustment is necessary, please follow the steps below:



To move doors up or down:
loosen or tighten the screws on the hinge plate,
as shown.

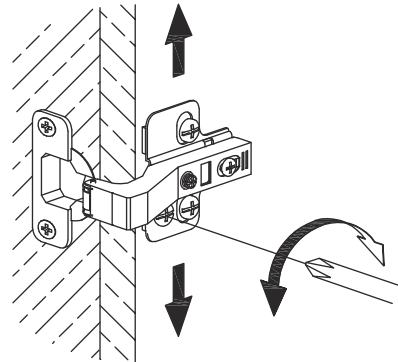
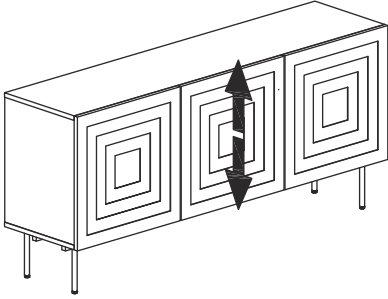


To move doors in or out:
Loosen or tighten the screws on the hinge plate,
as shown.

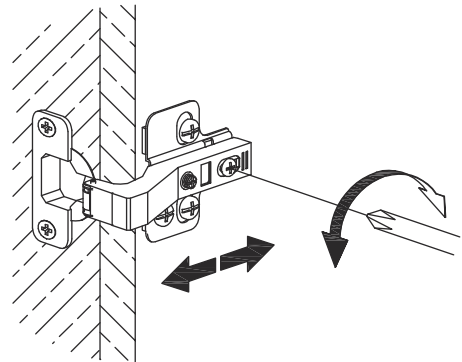
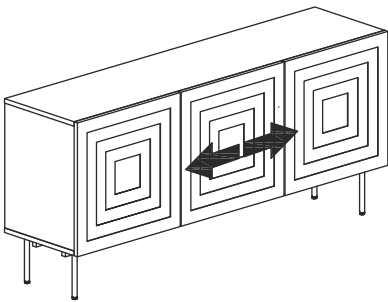


To move doors left or right: loosen or
Loosen or tighten the screws to suit, as shown.

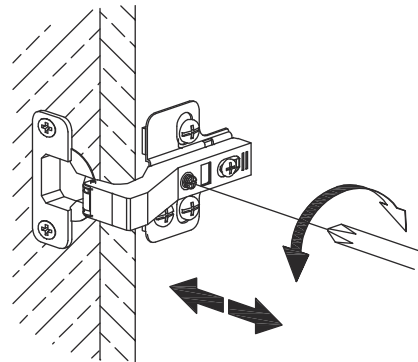
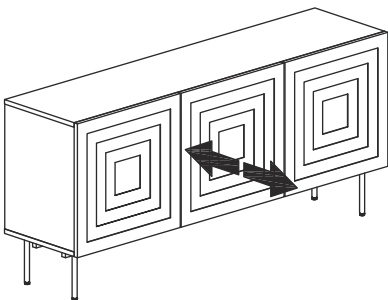
If adjustment is necessary, please follow the steps below:



To move doors up or down:
loosen or tighten the screws on the hinge plate,
as shown.

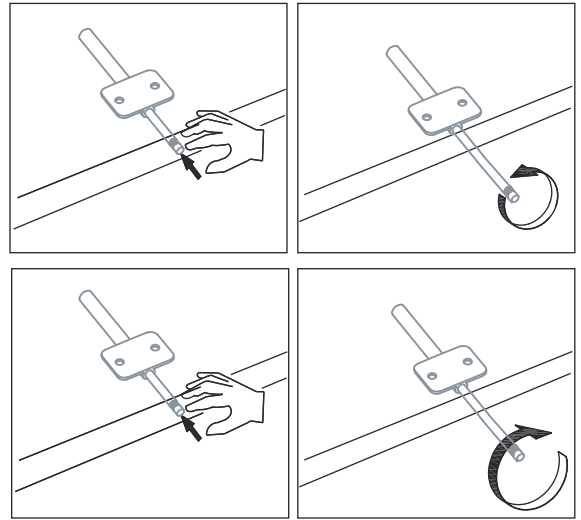
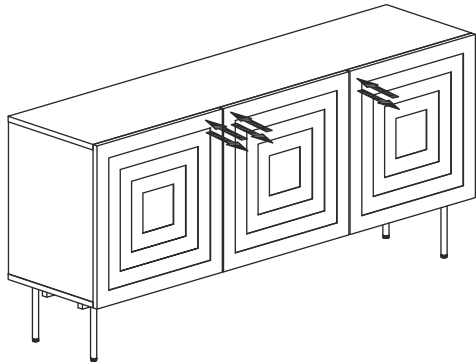


To move doors left or right:
Loosen or tighten the screws to suit, as shown.



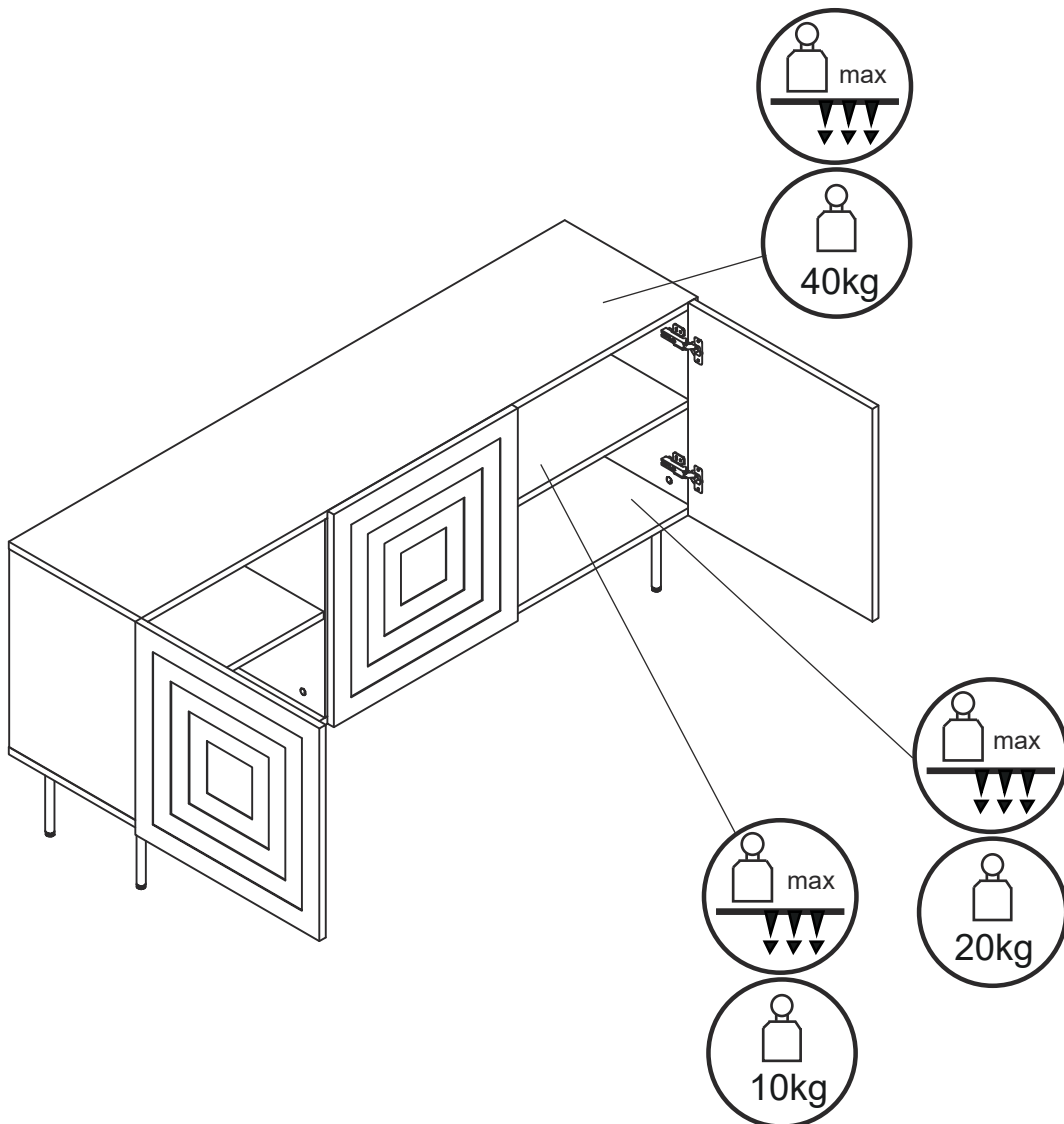
To move doors in or out:
Loosen or tighten the screws on the hinge plate,
as shown.

21

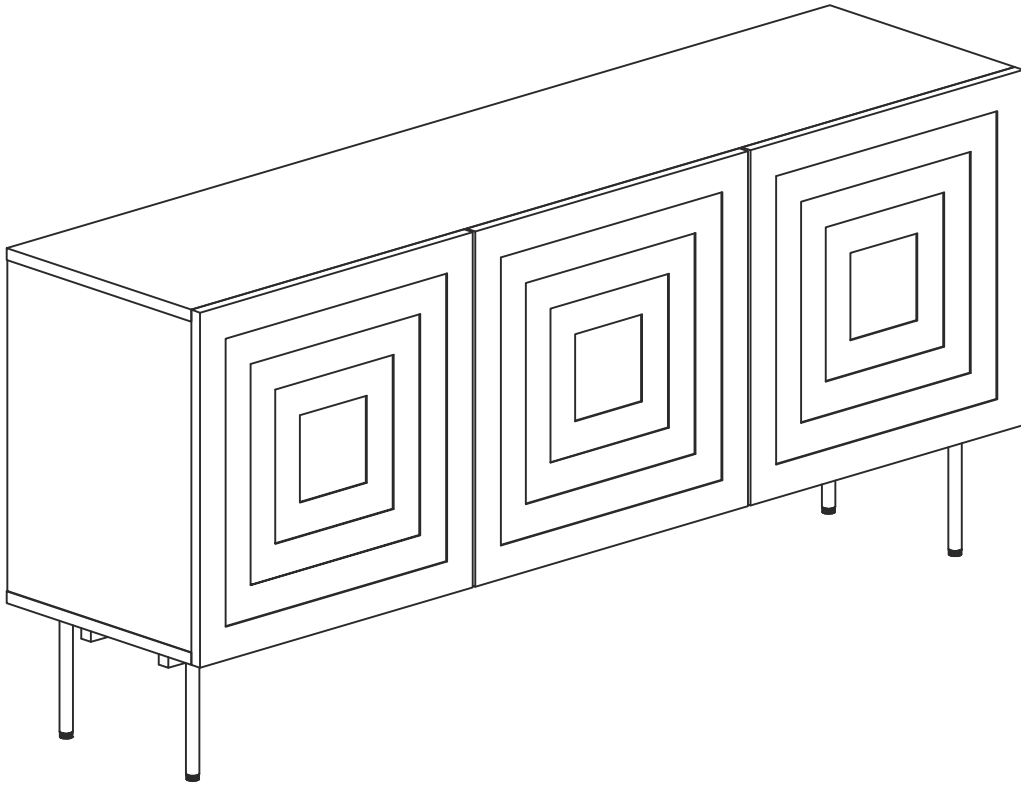


To adjust the push-to-open latches, please follow the steps below:
Push and release the piston once to allow the piston to extend.
Gently turn the piston clockwise or anti-clockwise to adjust the position of the piston.
Push the piston once to retract the piston.

22



23



Assembly is complete.

**Please dispose of all
packaging thoughtfully.**