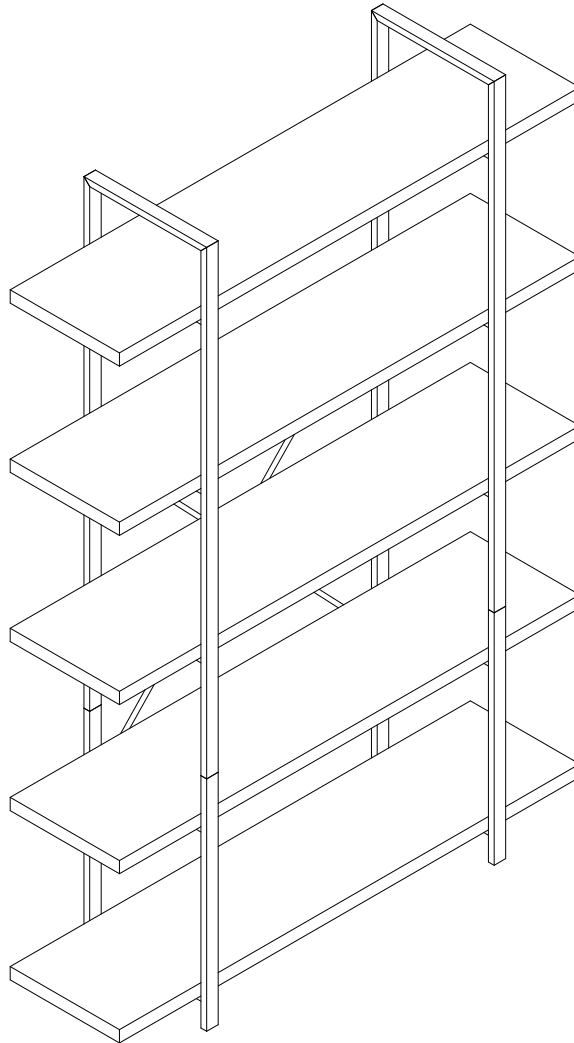


IHOMDEC
Assembly Instruction
5-TIER BOOKSHELF



Customer Service Before Return

If part is missing or damaged, or you need help with assembly, please do not hesitate to contact us.

SELLER CONTACT INFORMATION:
contacts@ihomdec.com

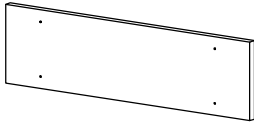
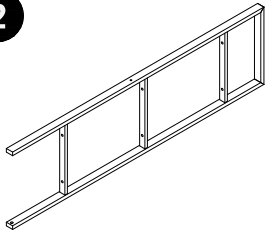
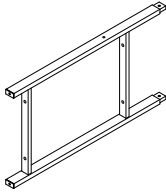
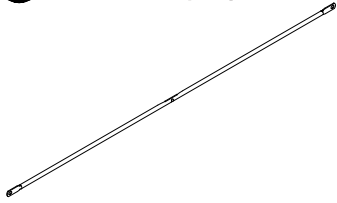


Before Assembly


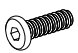




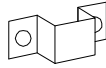


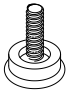
IMPORTANT NOTE:

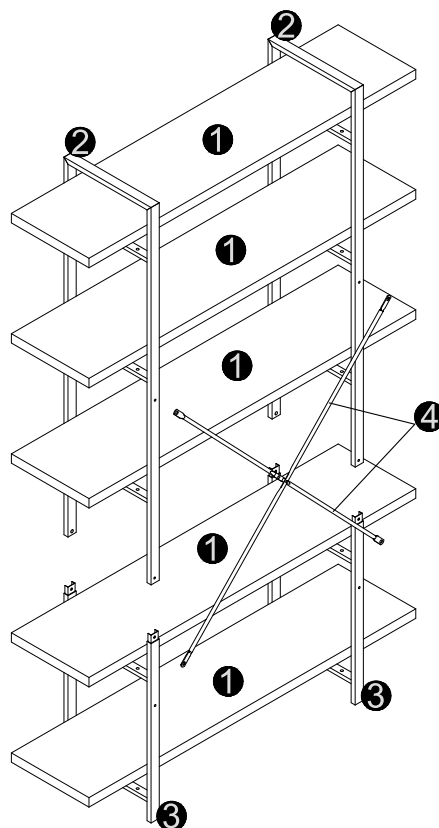
- Make sure all parts and hardware are included and free of obvious Defect before disposing of any packaging
- Place all wooden parts on a clean and smooth surface such as a rug or carpet to avoid the parts from being scratched.
- DO NOT tighten all screws and bolts until completely assembled.
- Assembly will require two people.

PART LIST

			
5 PCS	2 PCS	2 PCS	2 PCS

HARDWARE LIST

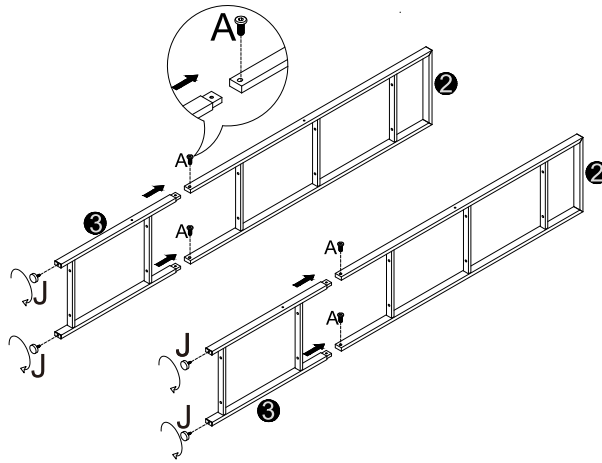
 M6x12mm	 M6x22mm	 M6x25mm	 	 	 	 	 	 	 M6X15
8pcs	1pc	20 pcs	1pc	4pcs	4pcs	2pcs	1pc	1pc	4pcs



NOTED:

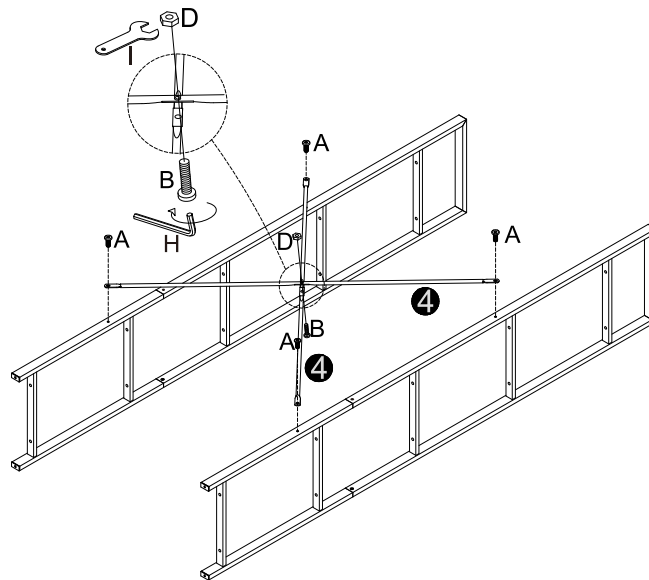
- 1. Do not fully tighten all bolts until all parts are in place. Failure to follow these instructions may cause the bolt to misalign during assembly.
- 2. To prevent injury and property damaged from unexpected tipping of furniture, we highly recommend installation of the anti-tip kit included with this product.

Step 1



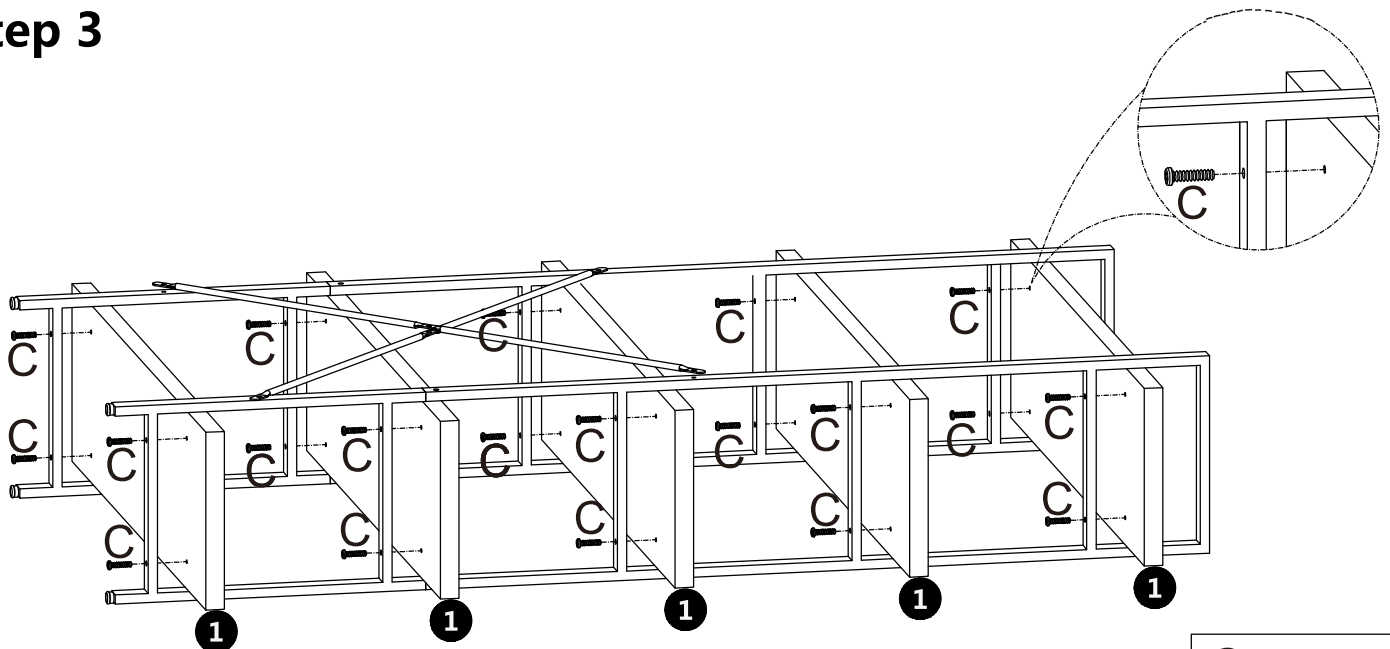
J X4PCS
AX4PCS

Step 2



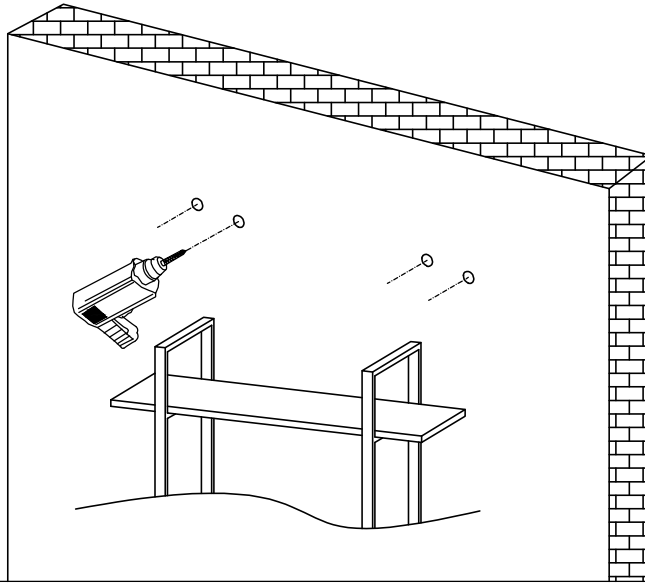
AX4PCS
DX1PC
BX1PC

Step 3

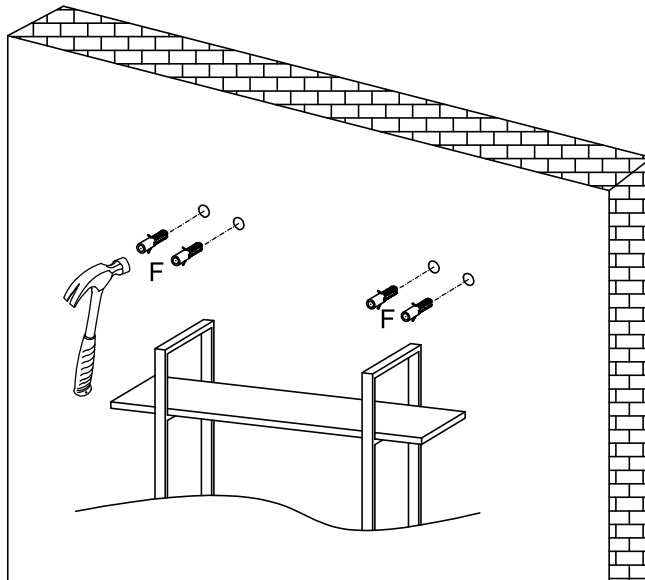


C x 20PCS

Step 4

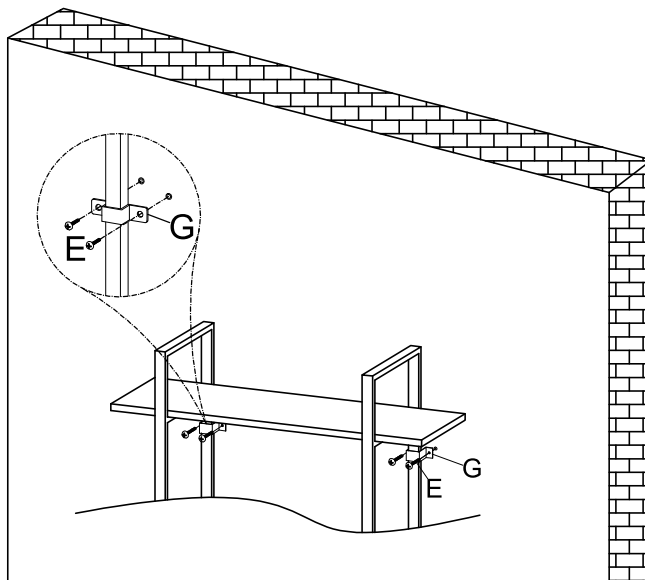


Step 5



F x 4PCS

Step 6



E x 4PCS

G x 2PCS