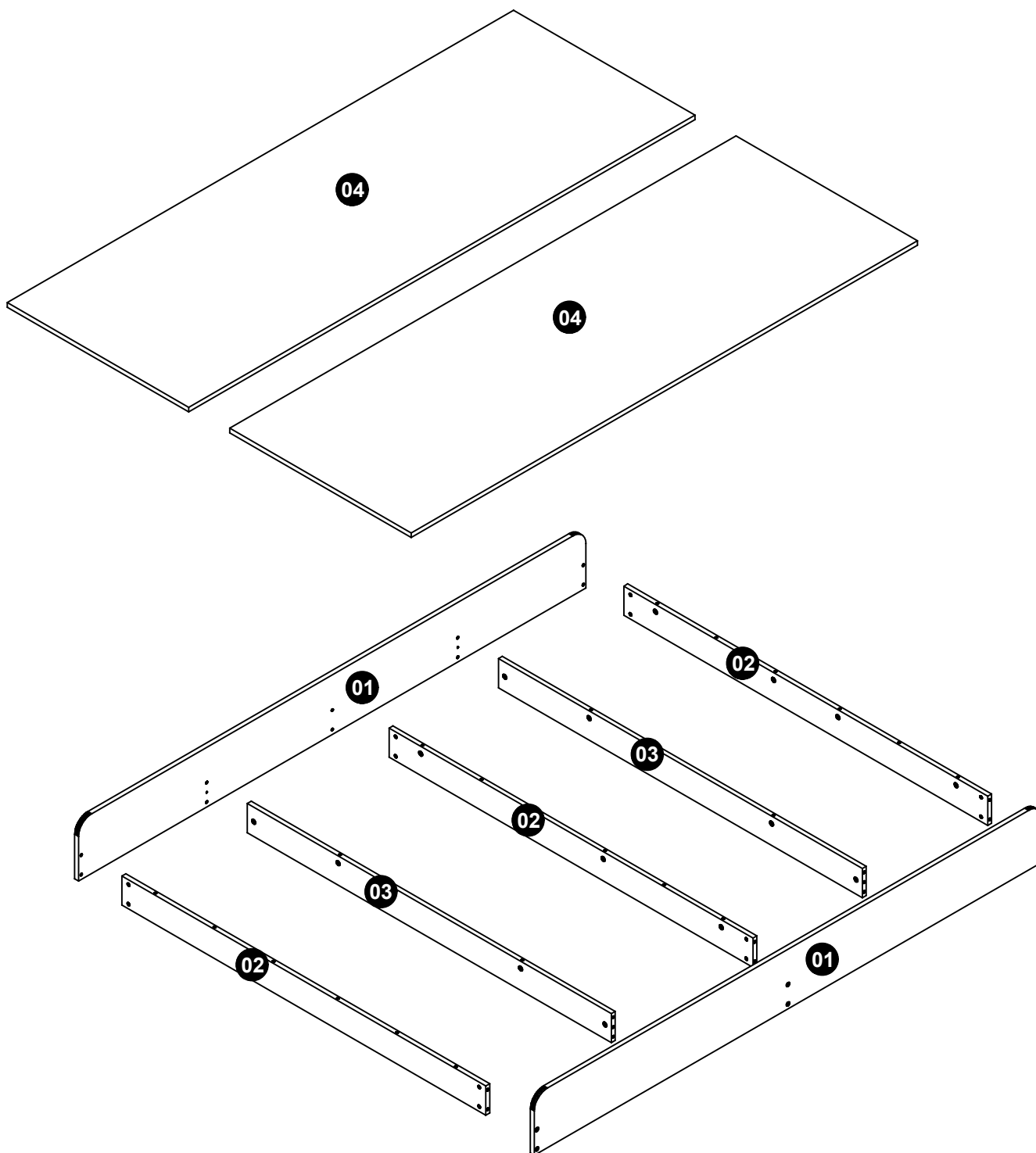


Part List

Model : Trundle

Carton 1 of 2			Carton 2 of 2		
No.	Part Name	Pcs	No.	Part Name	Pcs
04	Base Panel (Trundle)	2	01	Front & Back Side Panel (Trundle)	2
			02	Side & Center Support Panel (Trundle)	3
			03	Center Support Panel (Trundle)	2
Assembly Instructions + Fitting List					











Fitting List

Model : Trundle

Carton 2 of 2

Fitting List

No.	Part Name		Pcs
A	Cam Stud (small)		20
B	Cam		20
C	M8 x 25mm Wood Dowel		14
D	M6 x 50mm Allen Bolt		12
E	M6 Round Nut		12
F	M6 Allen Wrench		1
G	Felt Pads (45 x 14mm)		14
H	Sticker 25mm		20

Caution

There are many small components used in the construction of this unit. These loose items should be kept away from young children whilst assembling your unit. As an extra precaution, screw cover caps should be permanently fixed in position. (Where applicable)



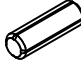

USEFUL HINTS & TIPS

Two people will be required to assemble this unit

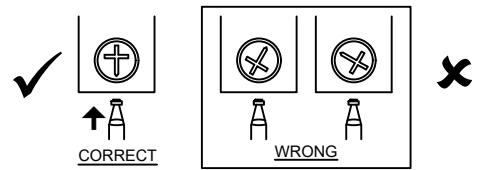
Please keep this assembly instruction for future reference


Guide To Assembly

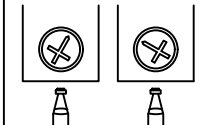
Model : Trundle

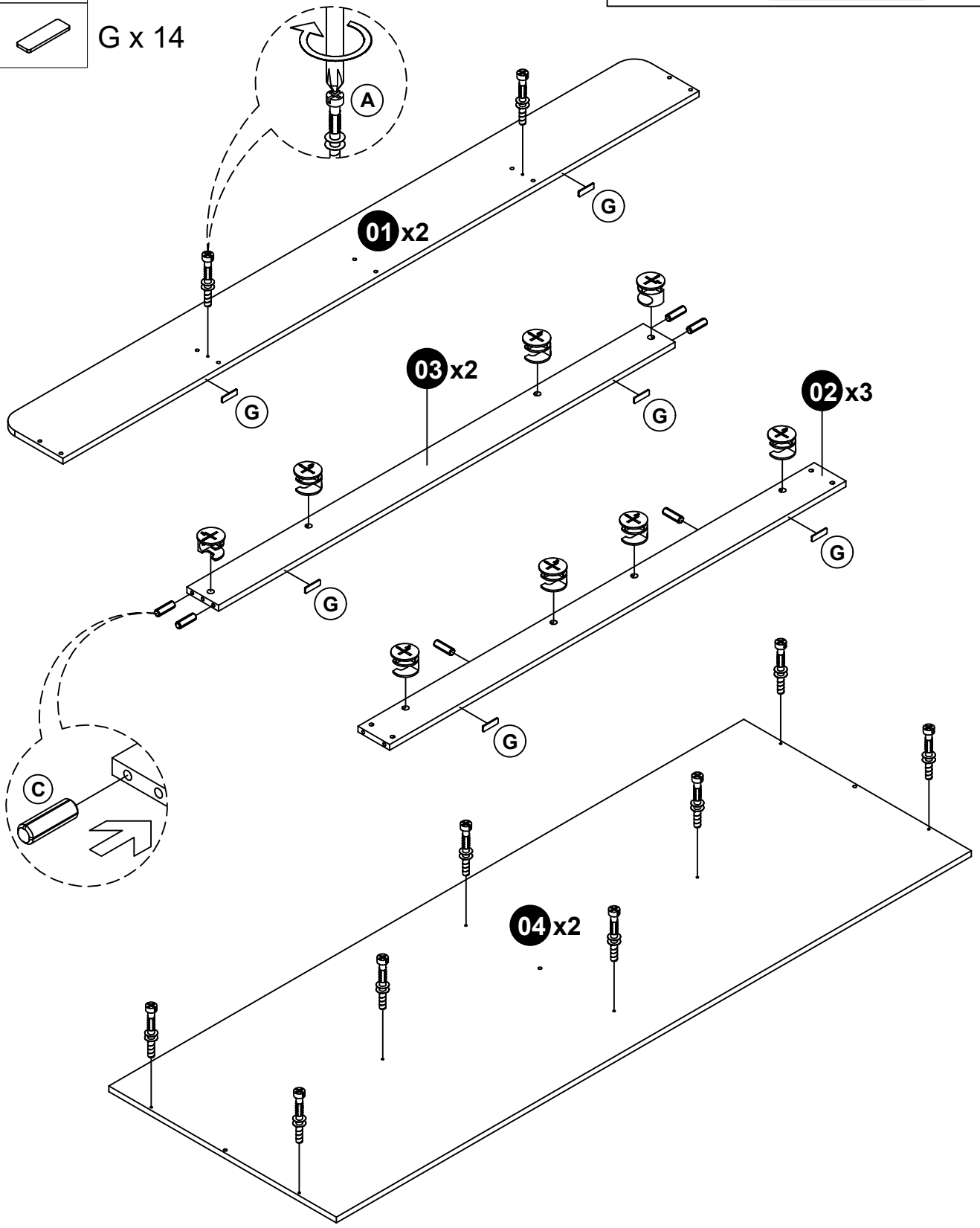
- 01  A x 20
-  B x 20
-  C x 14
-  G x 14

WHEN FITTING CAMS
 ENSURE STARTING POSITION IS CORRECT
 BEFORE YOU INSERT CONNECTING BOLT
 TURN CLOCKWISE UNTIL SECURE



✓  **CORRECT**

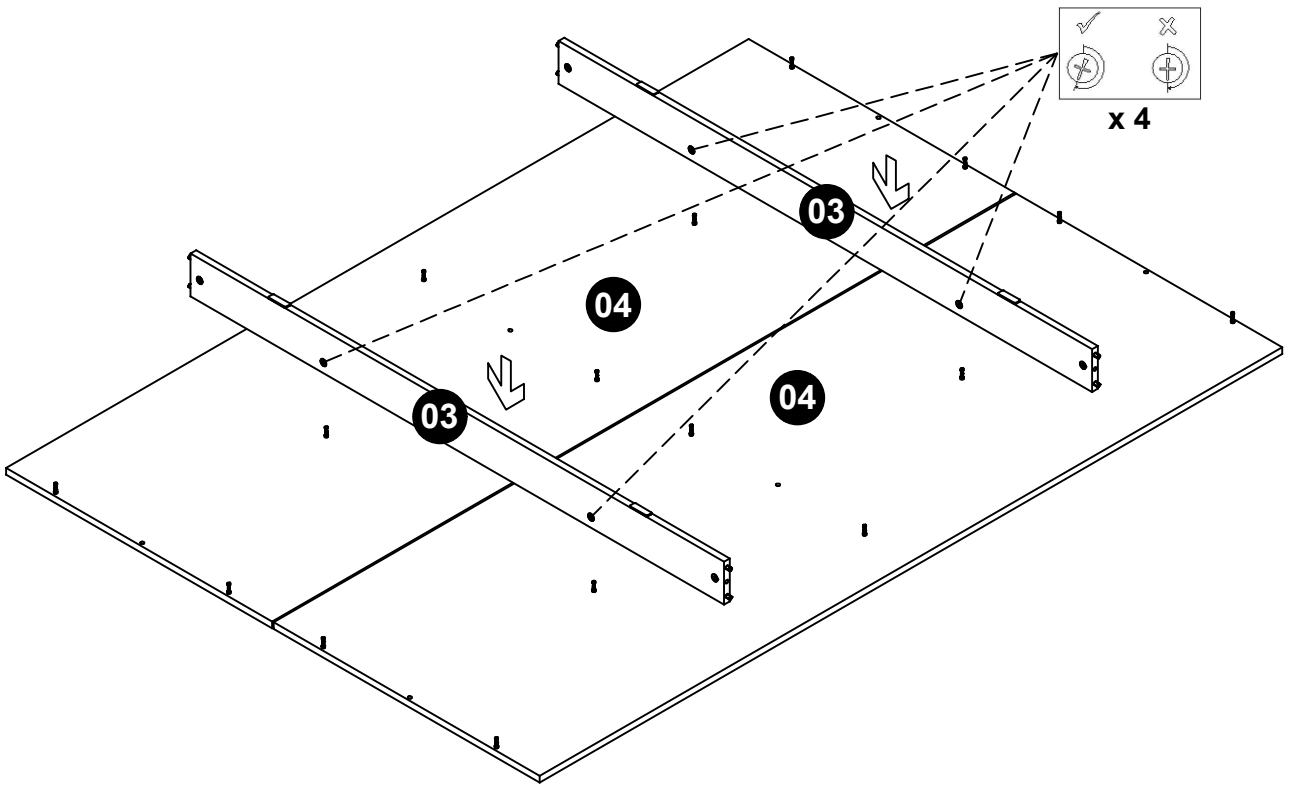
 **WRONG** X



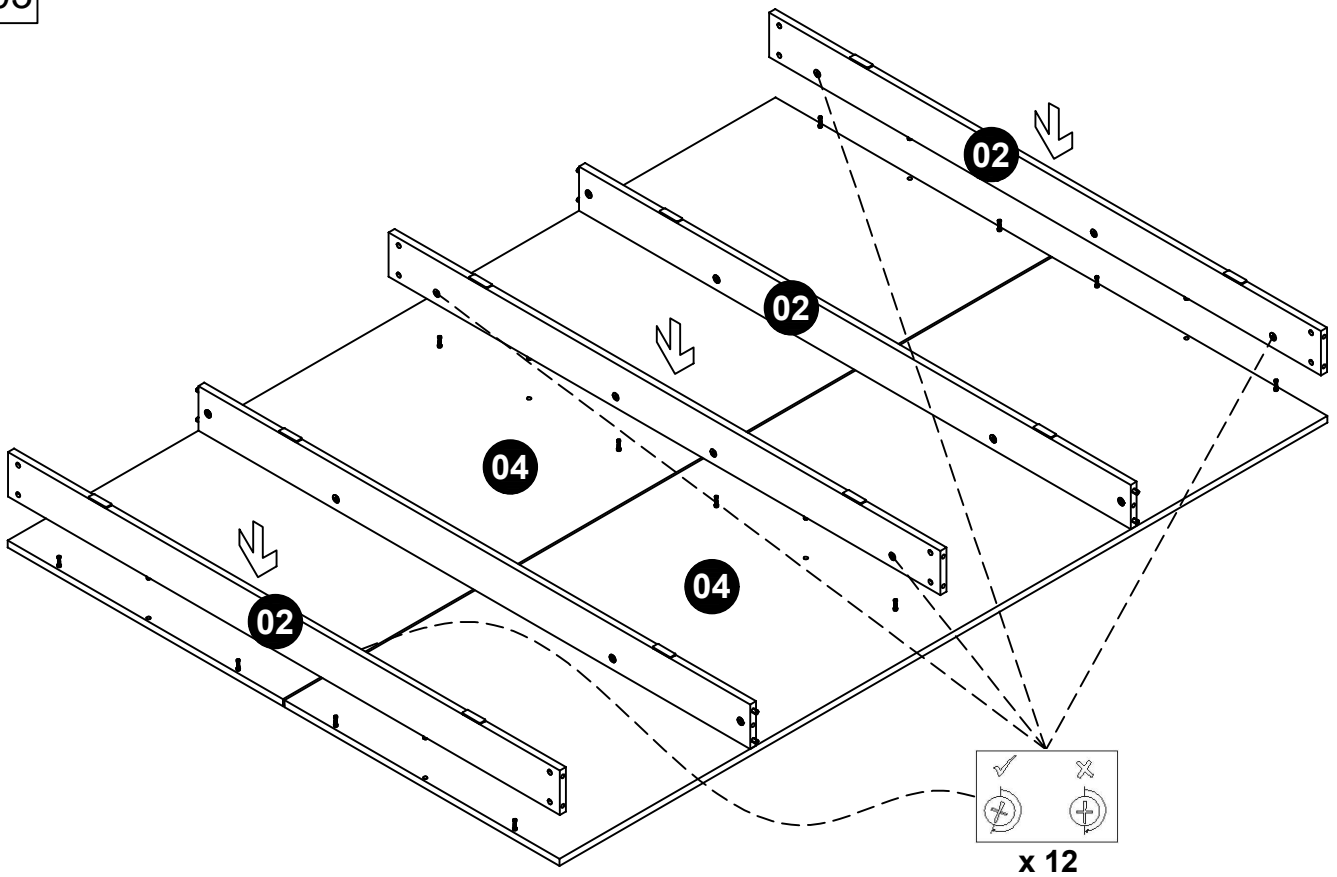
Guide To Assembly

Model : Trundle

02



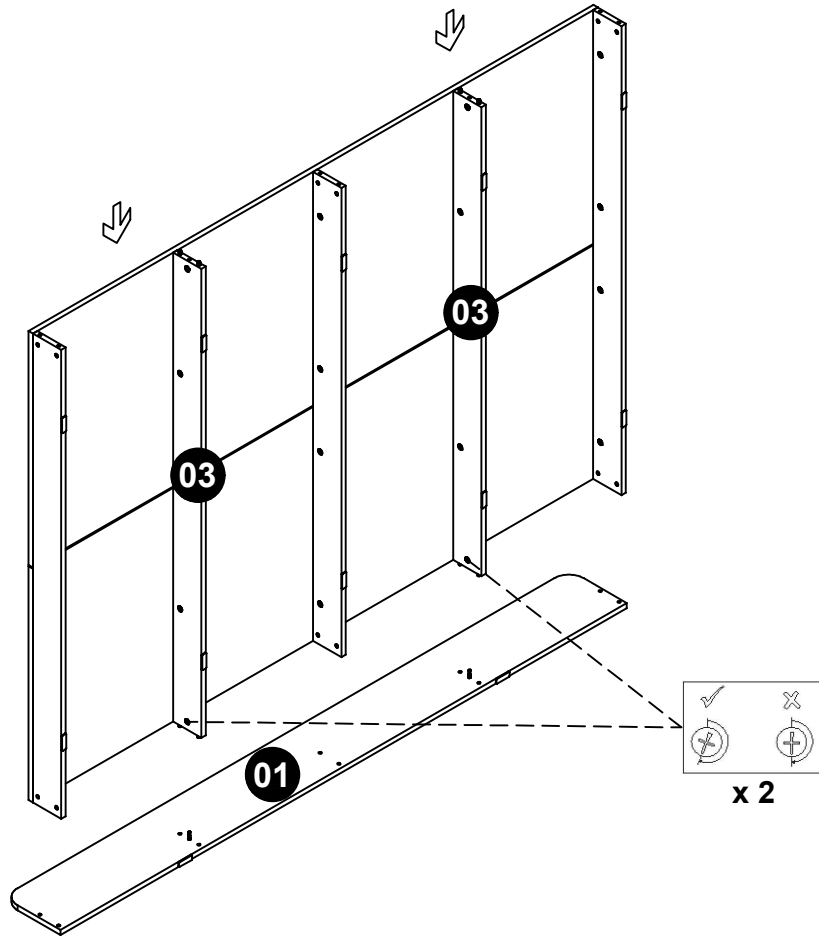
03



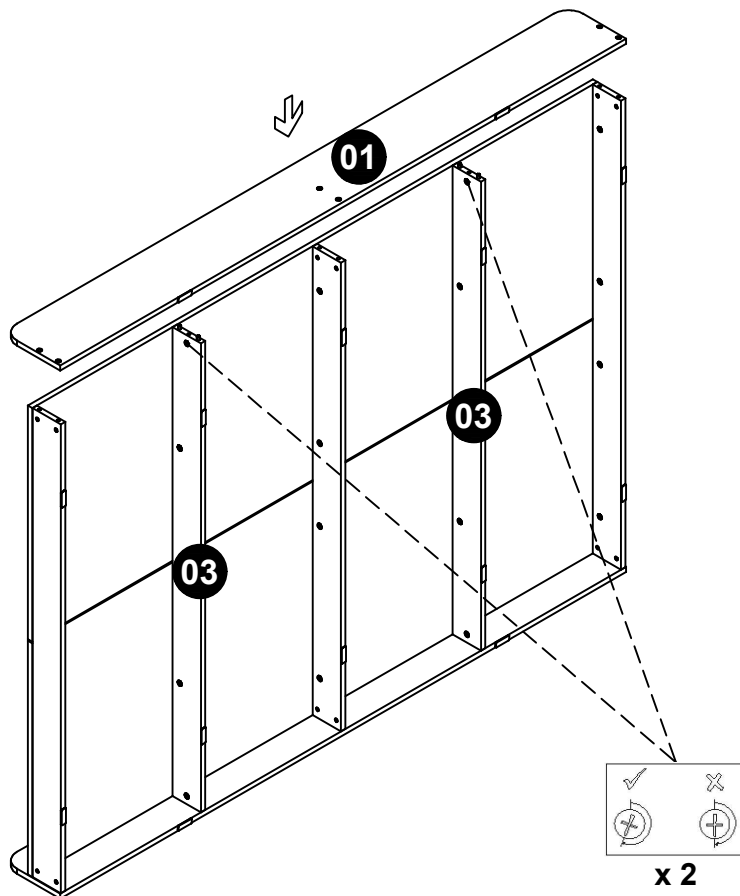
Guide To Assembly

Model : Trundle

04



05



Guide To Assembly

Model : Trundle

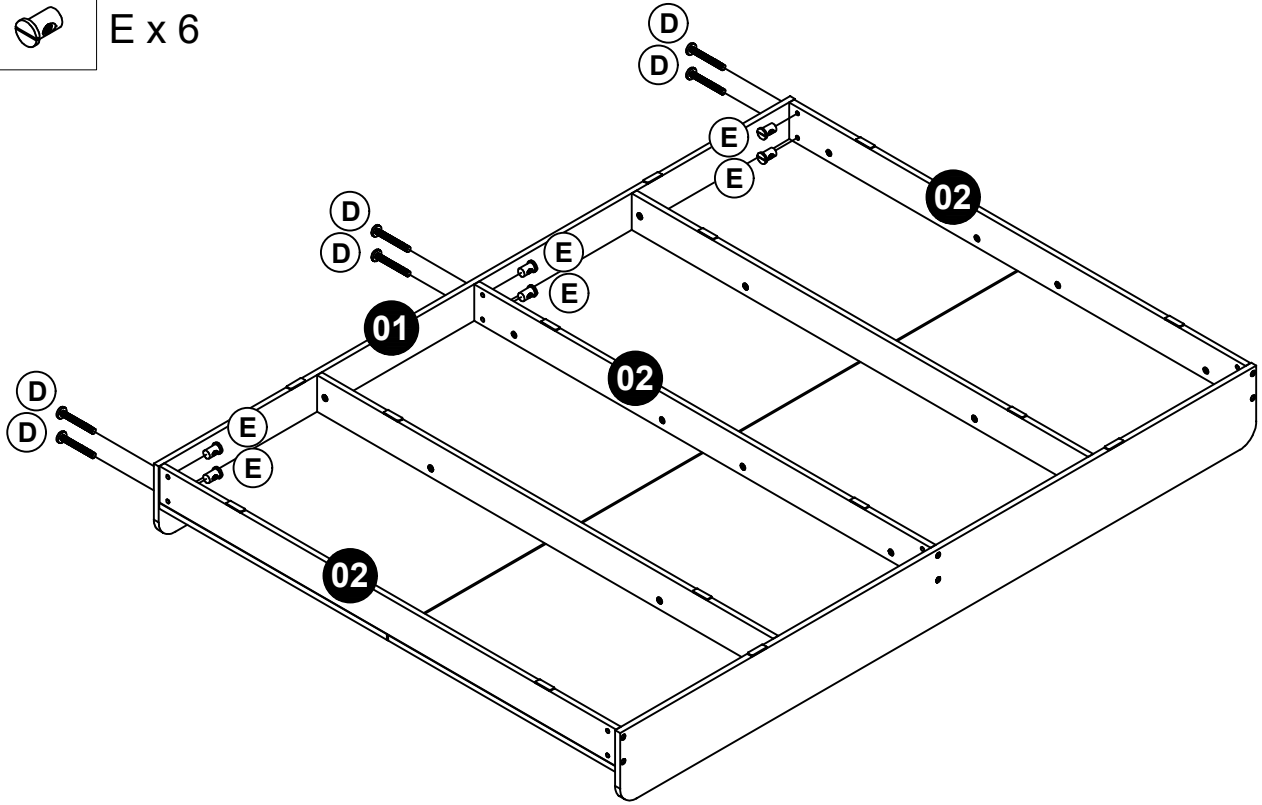
06



D x 6



E x 6



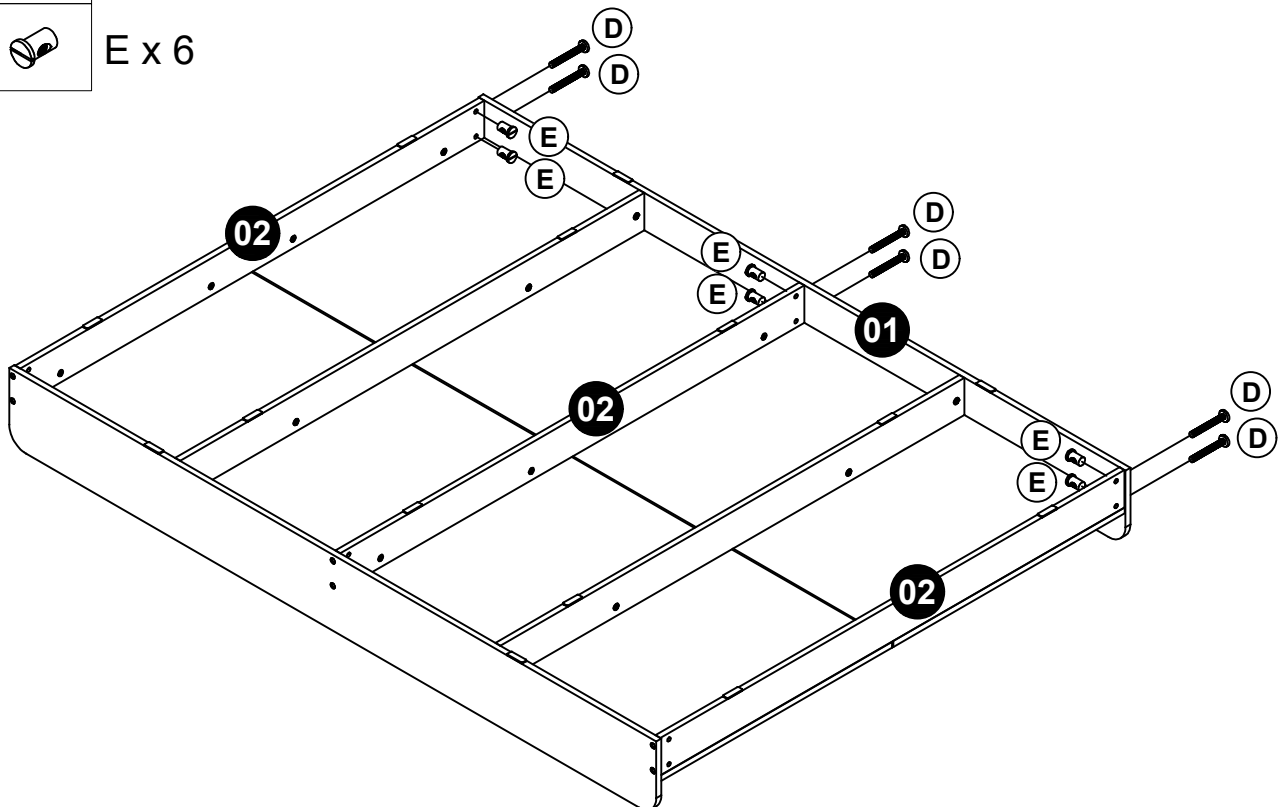
07



D x 6




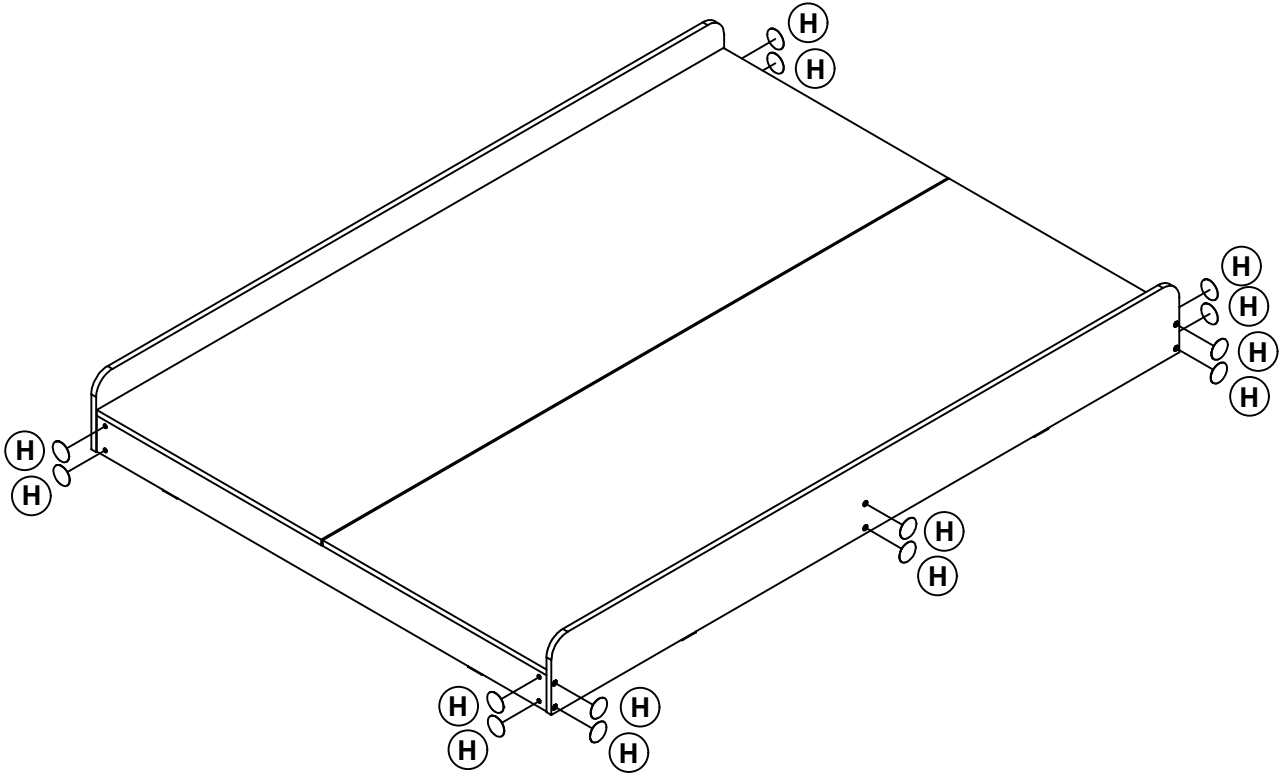
E x 6




Guide To Assembly

Model : Trundle

08  H x 14



09  H x 6

