

“Read these instructions and follow steps carefully to ensure you assemble the product correctly and avoid damages. Check that all parts and hardware have been provided before assembling the product. Place all contents on a clean, soft-flat surface to avoid scratching the product.”

CAUTION:

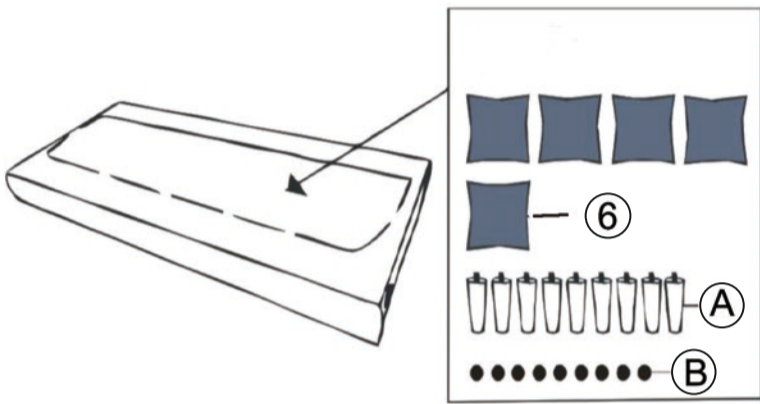
Only tighten bolts to 80% at first. Once all parts have been assembled, fully tighten all hardware. To prevent damage to threads, do not use a power tool and do not over tighten bolts. Use two people to lift and turn the product when assembling. Do not attempt with only one person and do not toll onto legs. Keep all hardware and small parts away from children.



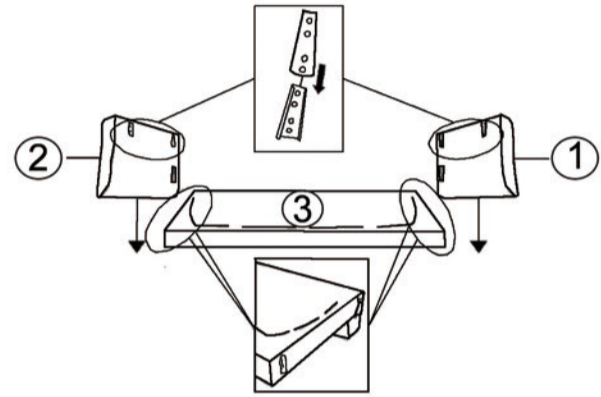
PART LIST			
ITEM	DESCRIPTION	QTY	PACKED IN
1&2	ARMREST	2 PCS	BOX 1
3	SEATER	1 PC	BOX 1
4	BACKREST	1 PC	BOX 1
5	CUSHION SEAT	2 PC	BOX 1
6	BACK PILLOW	5 PCS	BOX 1
7	SEAT COVER	1 PC	BOX 1
8	OTTOMAN	1 PC	BOX 1
9	OTTOMAN CUSHION	1 PC	BOX 2
10	OTTOMAN COVER	1 PC	BOX 1

HARDWARE LIST			
ITEM	DESCRIPTION	QTY	PACKED IN
A	LEG M8*120MM	9 PCS	BOX 1
B	LEG PAD 3MM	9 PCS	BOX 1

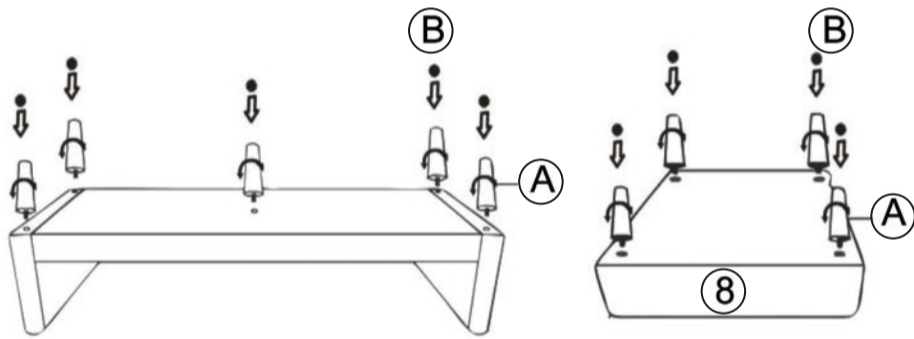
Step 1



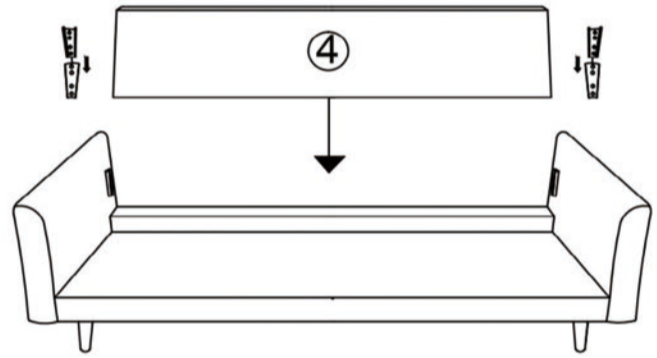
Step 2



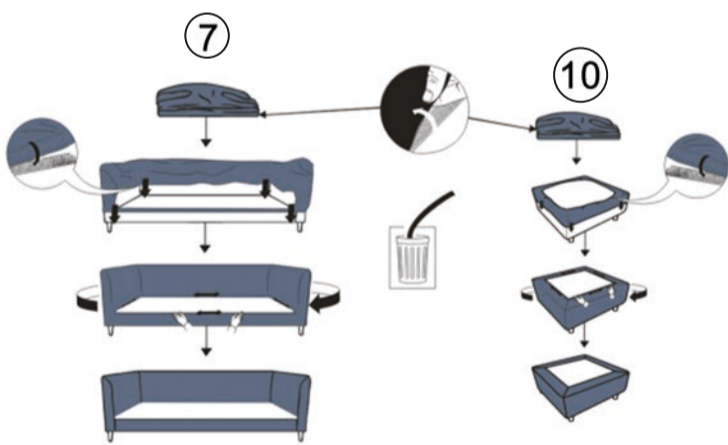
Step 3



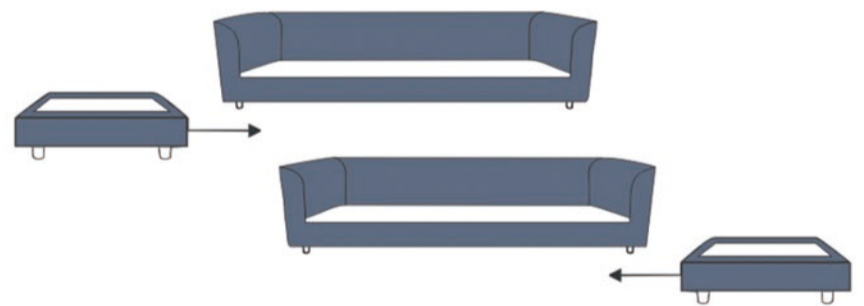
Step 4



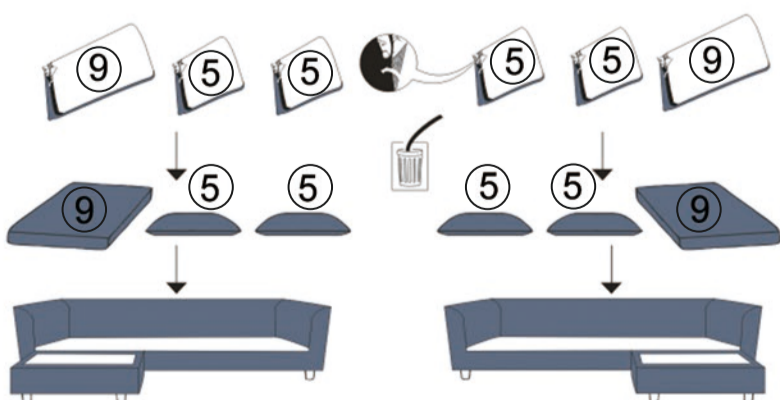
Step 5



Step 6



Step 7



Step 8

