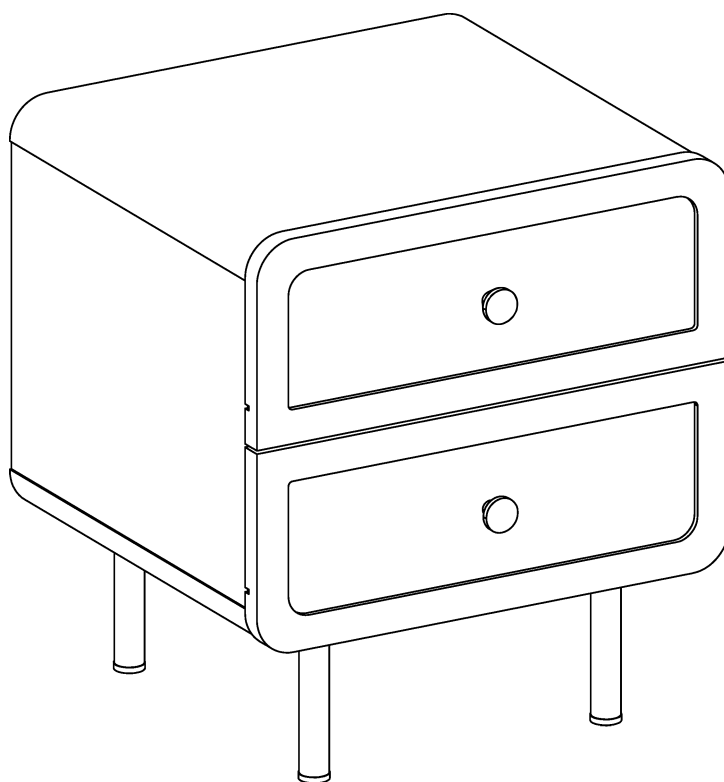


ASSEMBLY INSTRUCTIONS
MAXINE CURVED RATTAN
BEDSIDE TABLE



Two people required

www.templeandwebster.com.au

Keep these instructions for future reference

Assemble the furniture on a soft level surface to avoid damaging the furniture or your floor.

Parts of the assembly will be easier with 2 people.

We recommend furniture be assembled near where they will be placed, to avoid moving the product unnecessarily once assembled.

If there is a need to move the furniture, please remove all loose items and have extra hands to help lift the furniture to the desired location. Dragging the furniture will damage both the furniture and the floor.

Regularly check and re-tighten (if necessary) all bolts on furniture that you have assembled yourself.

Warning: In order to prevent overturning, this product must be used with the wall attachment device provided.

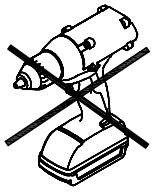
Do not stand on the Furniture

Care and Maintenance of your Furniture

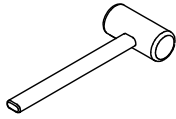
Wipe clean with a damp cloth. Use only water or a gentle detergent.

Wipe dry with a clean cloth.

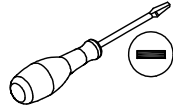
Tools Required



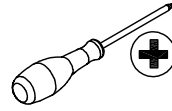
DO NOT USE



Mallet

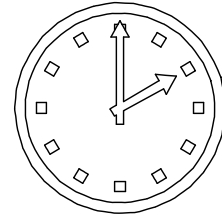


Flat head Screwdriver



Cross Screwdriver

Time Required

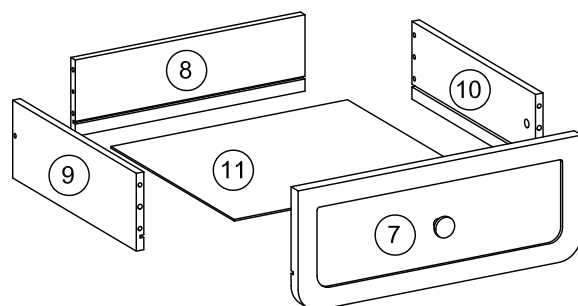
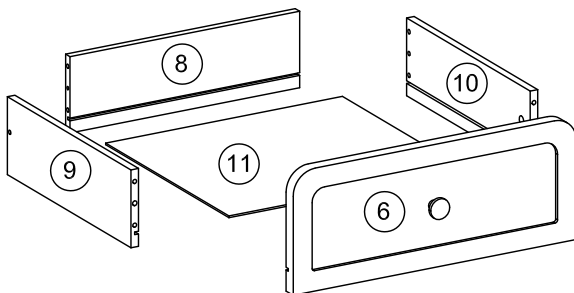
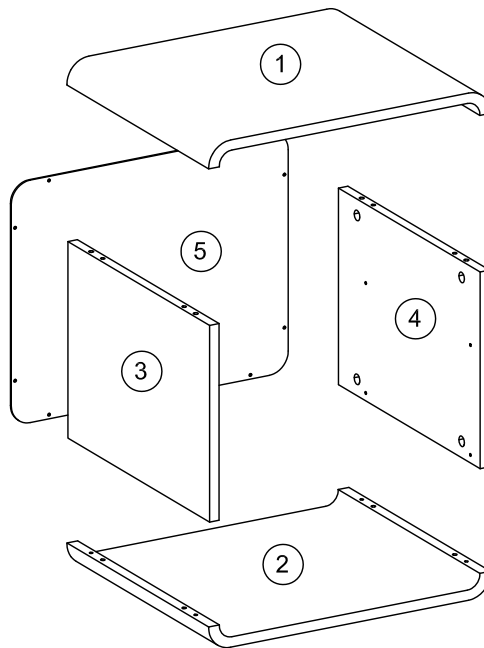


45 min

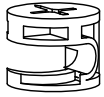
Part List

- | | | | |
|---|------------------------|----|---------------------------|
| 1 | Top Panel | 7 | Bottom Front Drawer Panel |
| 2 | Bottom Panel | 8 | Rear Drawer Panel |
| 3 | Left Panel | 9 | Left Drawer Panel |
| 4 | Right Panel | 10 | Right Drawer Panel |
| 5 | Rear Panel | 11 | Bottom Drawer Panel |
| 6 | Top Front Drawer Panel | | |

people Required

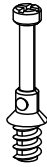


Hardware/Fittings



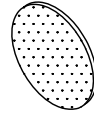
Ø15x12 mm Cam Lock x 8

A



Ø7.5x32 mm Cam Bolt x 12

B



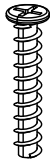
Ø20 mm Cam Sticker x 12

C



Ø6x30 mm Plastic Dowel x 24

D



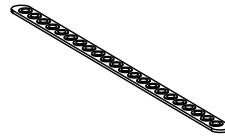
Ø10x33.5 mm Screw x 4

E



Ø6x8 mm Screw x 8

F



Anti-tip Bracket x 1

G



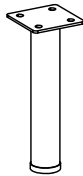
Ø3x12 mm Screw x 10

H



Ø4x10 mm Screw x 16

I



Metal Leg x 4

J



Handle x 2

K



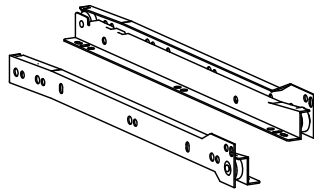
Ø4x20 mm Screw x 2

L



Ø6x13 mm Screw x 8

M



Drawer Runner x 2

N



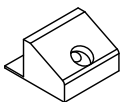
Ø12x10 mm Cam Lock x 4

O



Ø4x19 mm Screw x 8

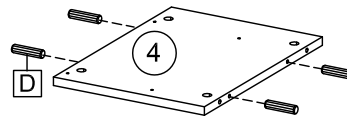
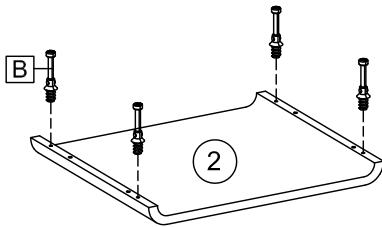
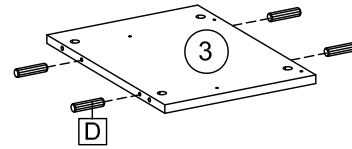
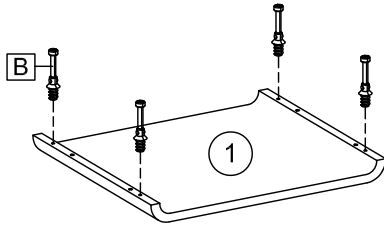
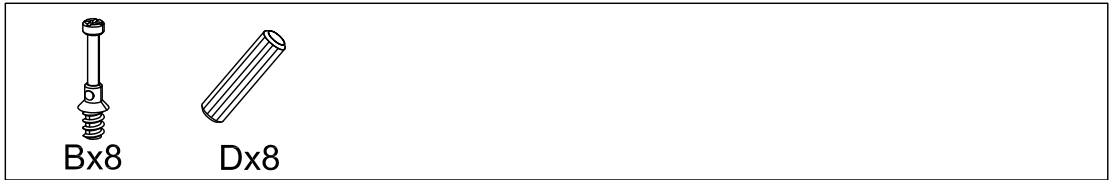
P



Backply Stopper x 8

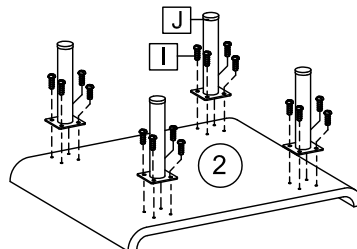
Q

1



Screw 8 x Cam Bolts (B) into Top Panel (1) and Bottom Panel (2).
Insert 8 x Plastic Dowels (D) into Left Panel (3) and Right Panel (4),
If necessary, gently tap the Plastic dowels with a mallet.

2

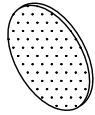


Attach 4 x Metal Leg (J) to Bottom Panel (2) using 16 x Screws (I).

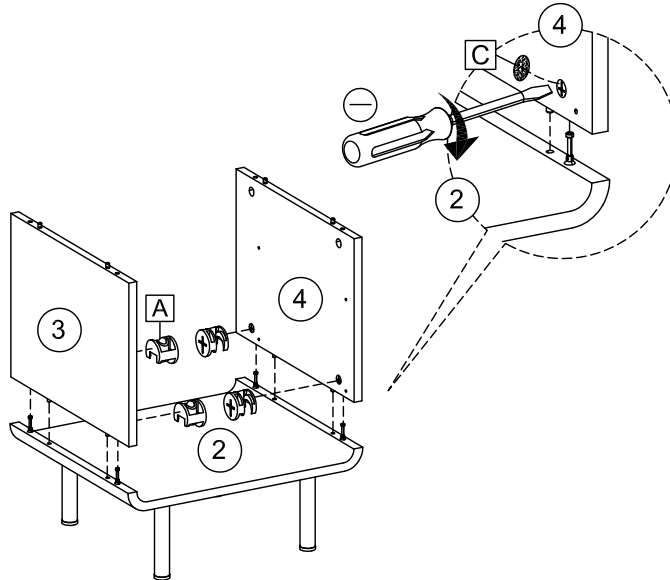
3



Ax4



Cx4

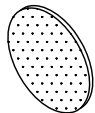


Attach Left Panel (3) and Right Panel (4) to Bottom Panel (2) using 4 x Cam lock (A) as shown,
Use a screwdriver to turn the Cam lock clockwise to lock.
Paste 4 x Cam Sticker (C) as shown.

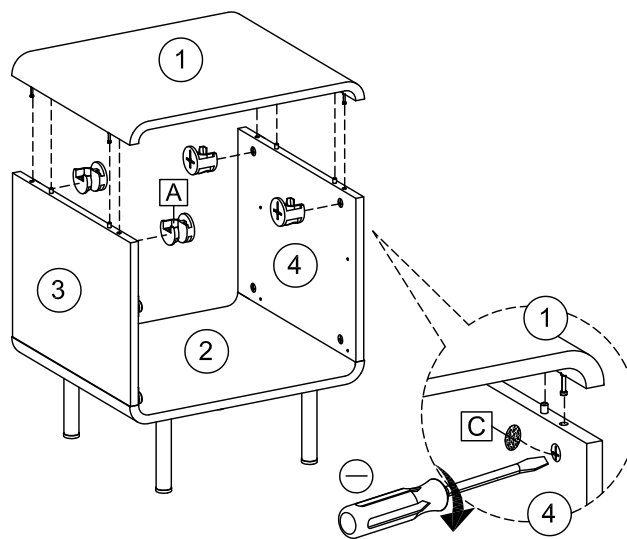
4



Ax4



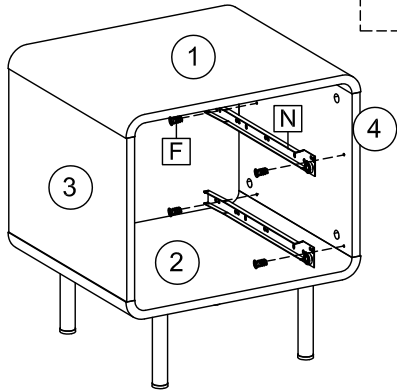
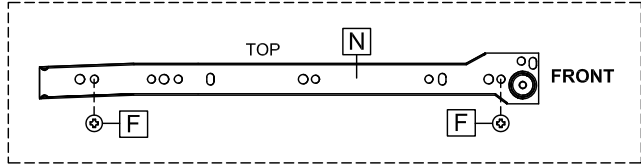
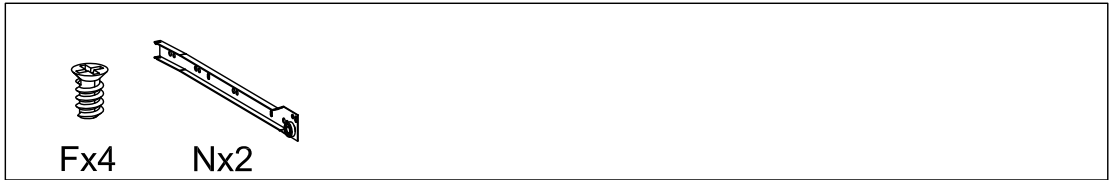
Cx4



Attach Top Panel (1) to Assembly using 4 x Cam lock (A) as shown,
Use a screwdriver to turn the Cam lock clockwise to lock.
Paste 4 x Cam Sticker (C) as shown.

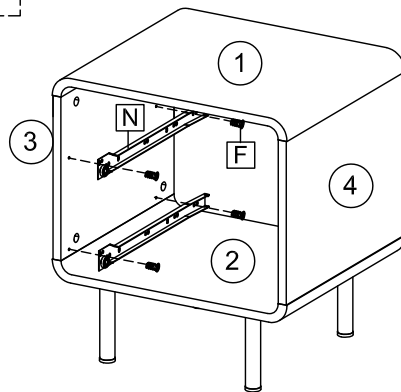
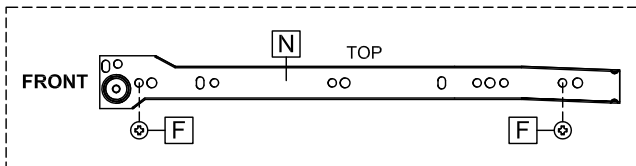
6

5



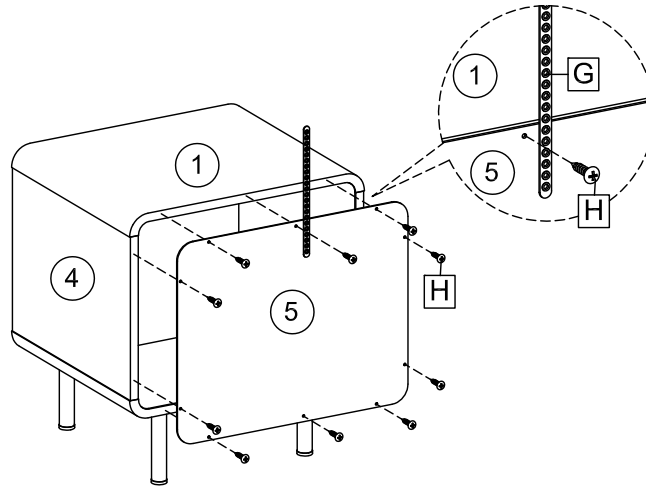
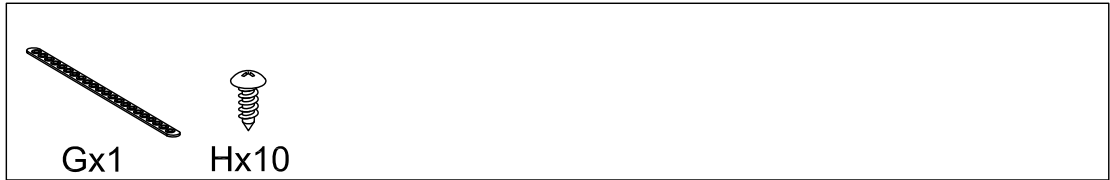
Position 2 x Drawer Runner (N) to the front edge of the Right Panel (4),
Fix the Drawer Runners to the Sides through holes shown using 4 x Screws (F).

6



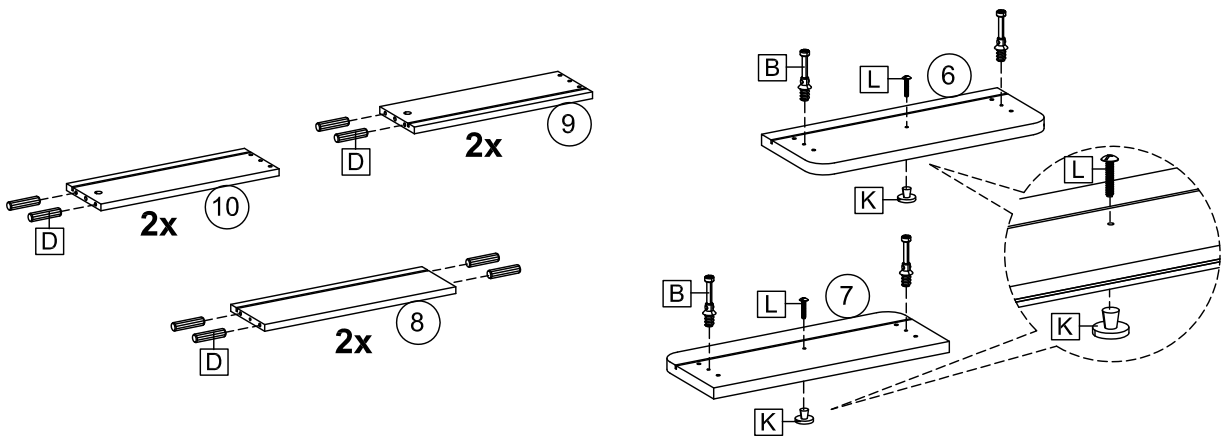
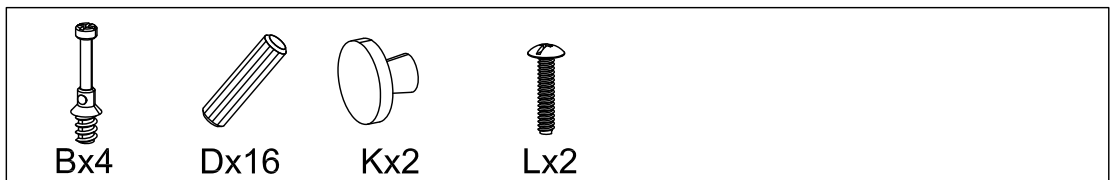
Position 2 x Drawer Runner (N) to the front edge of the Left Panel (3),
Fix the Drawer Runners to the Sides through holes shown using 4 x Screws (F).

7



Attach Rear Panel (5) to Assembly using 9 x Screws (H).
 Attach Anti-tip Bracket (G) to Rear Panel (5) using 1 x Screw (H).

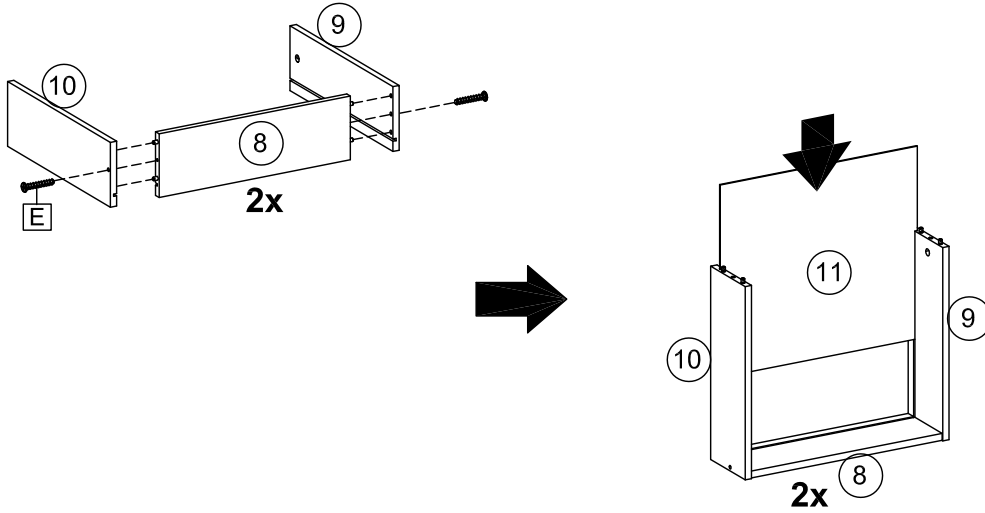
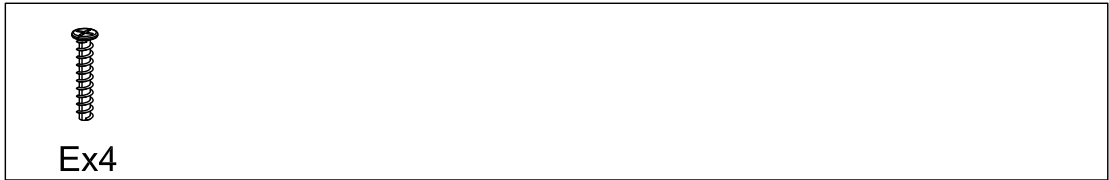
8



Screw 4 x Cam Bolts (B) into Top Front Drawer Panel (6) and Bottom Front Drawer Panel (7).
 Insert 16 x Plastic Dowel (D) into Rear Drawer Panel (8) Left Drawer Panel (9) and Right Drawer Panel (10).
 If necessary, gently tap the Plastic dowels with a mallet.
 Attach 2 x Handle (K) into Top Front Drawer Panel (6) and Bottom Front Drawer Panel (7) using 2 x Screws (L).

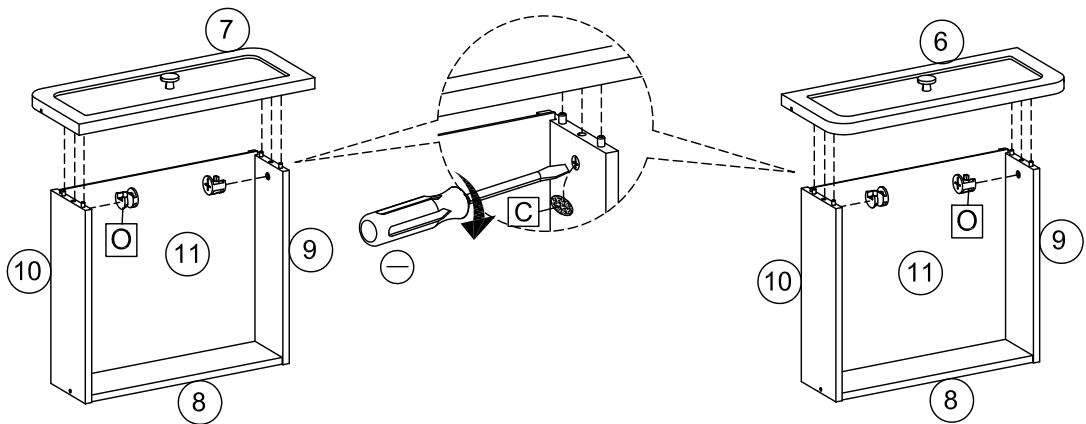
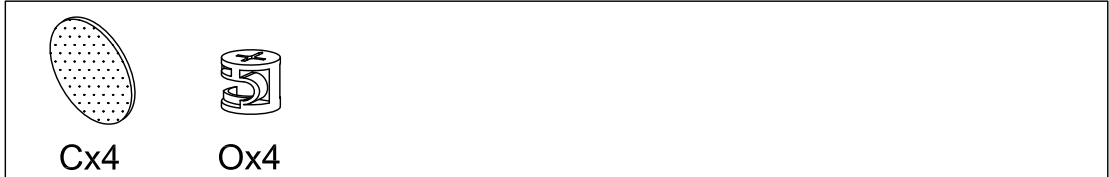
8

9



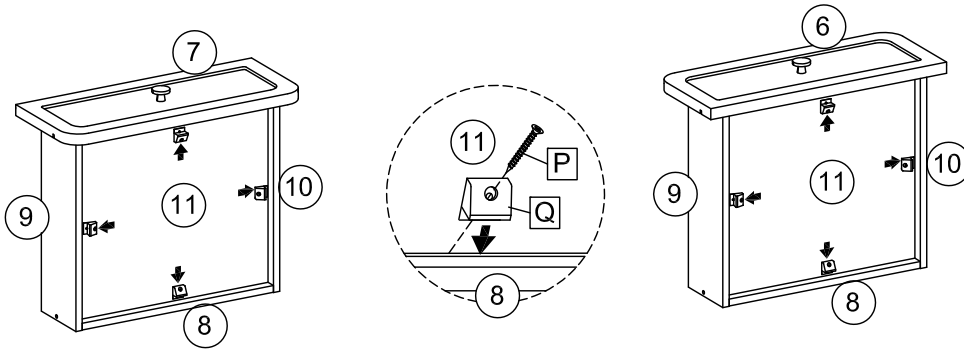
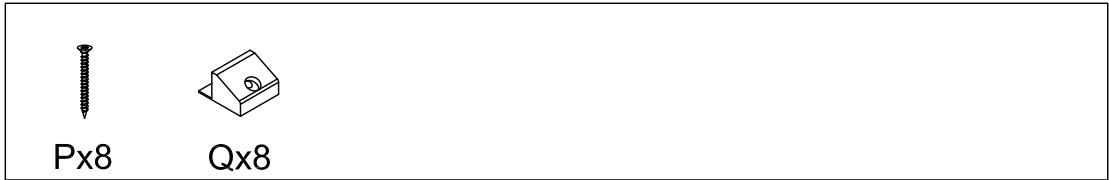
Attach Right Drawer Panel (10) and Left Drawer Panel (9) to Rear Drawer Panel (8) using 4 x screws (E).
Insert Bottom Drawer Panel (11) into Assembly Drawer.

10



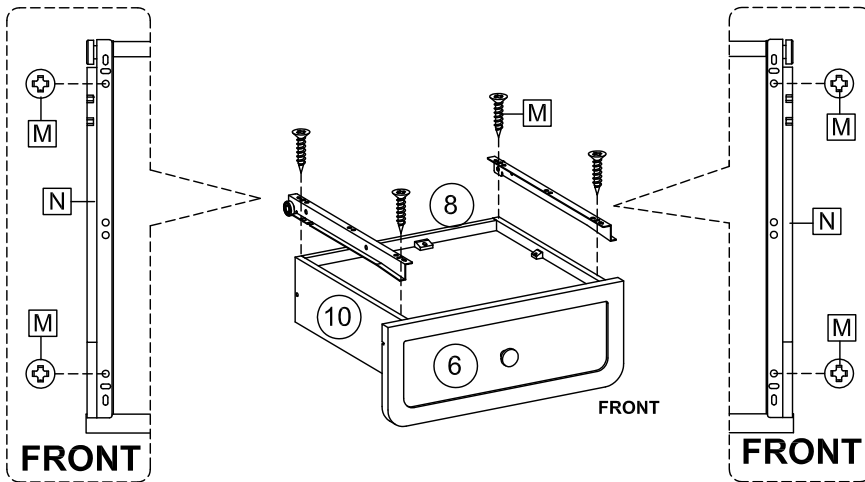
Attach Top Front Drawer Panel (6) and Bottom Front Drawer Panel (7) to Assembly Drawer using 4 x Cam lock (O),
Use a screwdriver to turn the Cam lock clockwise to lock.
Paste 4x Sticker Cover (C) as shown.

11



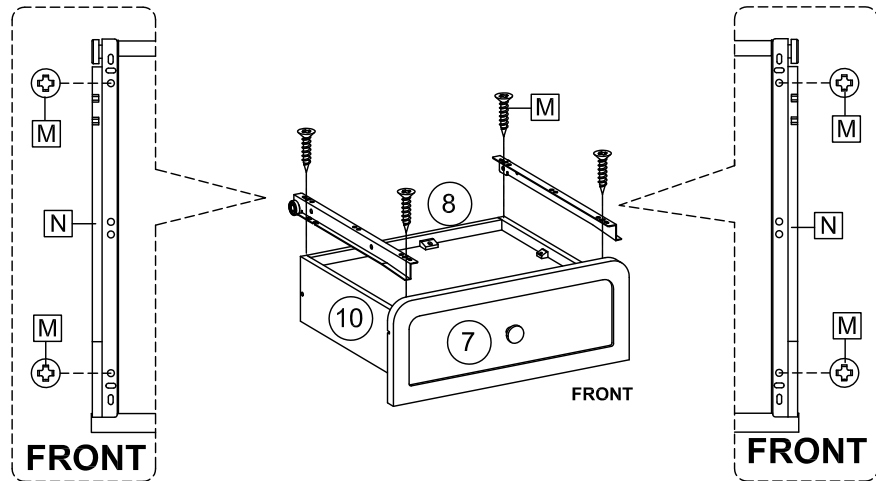
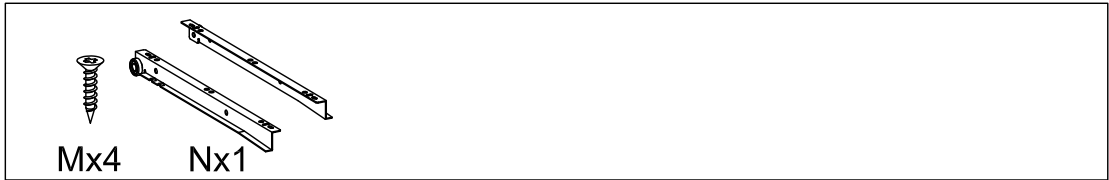
Attach 8 x Backply Stopper (Q) to Drawer using 8 x screws (P) as shown.

12



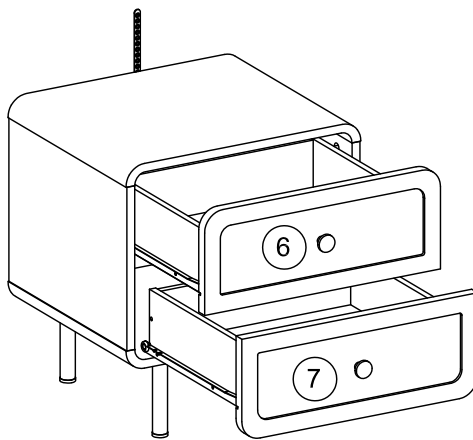
Attach 2 x Drawer Runner (N) to Drawer using 4 x Screws (M) as shown.

13



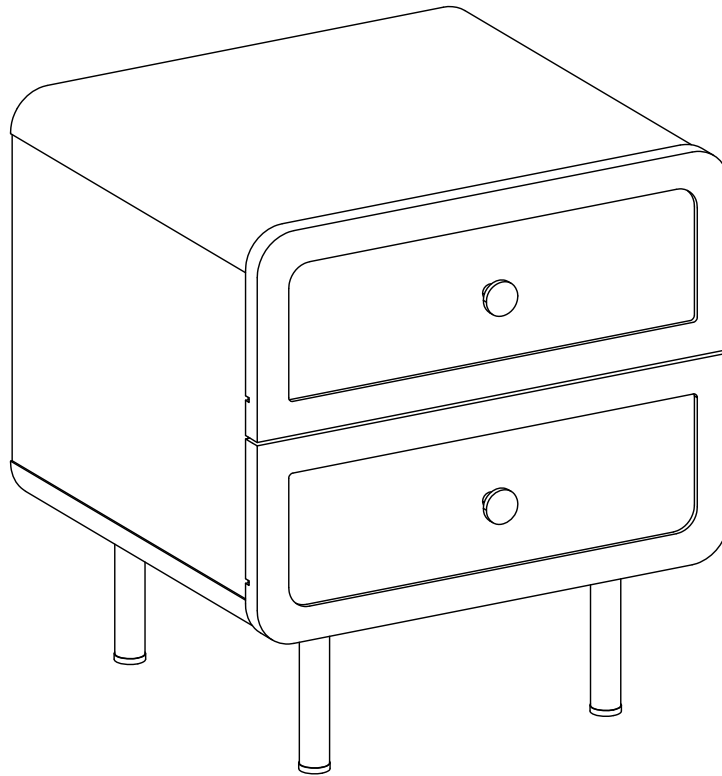
Attach 2 x Drawer Runner (N) to Drawer using 4 x Screws (M) as shown.

14



Insert Drawer into Assembly.

15



Assembly is complete.

**Please dispose of all
packaging thoughtfully**