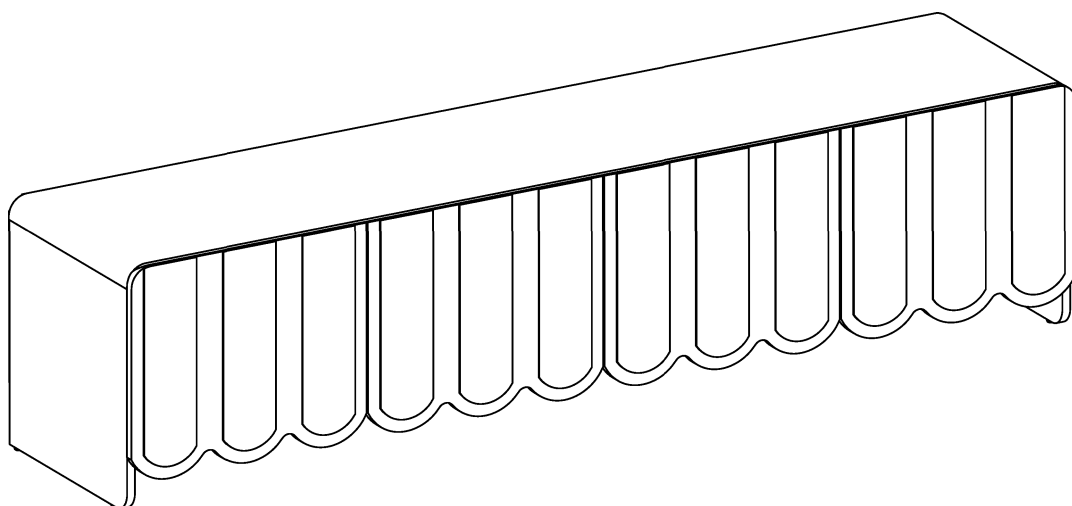


**TEMPLE &  
WEBSTER**

**SBFSTVNT**

**ASSEMBLY INSTRUCTIONS**  
**FIONA NATURAL SCALLOPED 180 CM**  
**TV UNIT**



**Two people required**

[www.templeandwebster.com.au](http://www.templeandwebster.com.au)

## **Keep these instructions for future reference**

Assemble the furniture on a soft level surface to avoid damaging the furniture or your floor.

Parts of the assembly will be easier with 2 people.

We recommend furniture be assembled near where they will be placed, to avoid moving the product unnecessarily once assembled.

If there is a need to move the furniture, please remove all loose items and have extra hands to help lift the furniture to the desired location. Dragging the furniture will damage both the furniture and the floor.

Regularly check and re-tighten (if necessary) all bolts on furniture that you have assembled yourself.

**Warning:** In order to prevent overturning, this product must be used with the wall attachment device provided.

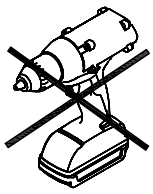
## **Do not stand on the Furniture**

## **Care and Maintenance of your Furniture**

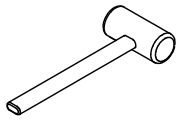
Wipe clean with a damp cloth. Use only water or a gentle detergent.

Wipe dry with a clean cloth.

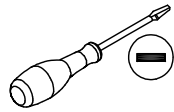
## Tools Required



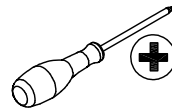
DO NOT USE



Mallet

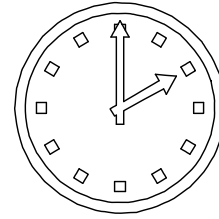


Flat head Screwdriver



Cross Screwdriver

## Time Required

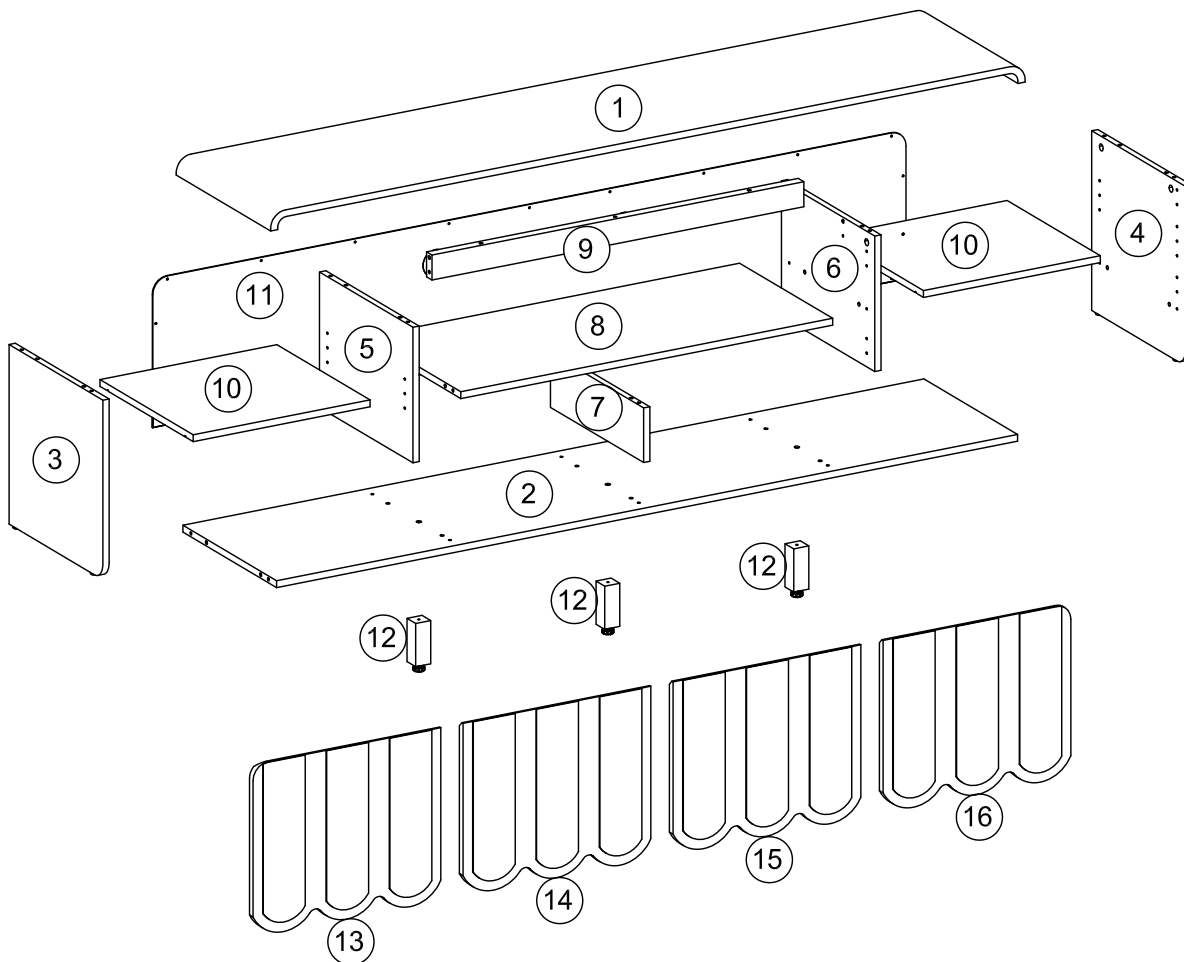


60 min

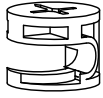
## Part List

- |                        |                      |
|------------------------|----------------------|
| 1 Top Panel            | 9 Top Panel Support  |
| 2 Bottom Panel         | 10 Adjustable Shelf  |
| 3 Left Panel           | 11 Back Panel        |
| 4 Right Panel          | 12 Leg               |
| 5 Divider Left Panel   | 13 Left Door         |
| 6 Divider Right Panel  | 14 Middle Left Door  |
| 7 Divider Middle Panel | 15 Middle Right Door |
| 8 Fix Shelf            | 16 Right Door        |

## people Required

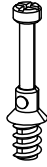


# Hardware/Fittings



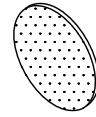
Ø15x12 mm Cam Lock x 21

A



Ø7.5x32 mm Cam Bolt x 21

B



Ø20 mm Cam Sticker x 21

C



Ø8x32 mm Plastic Dowel x 28

D



Ø3x12 mm Screw x 22

E



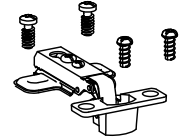
Ø10x33.5 mm Screw x 9

F



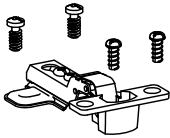
Shelf pin x 8

G



Door Hinge x 4

H



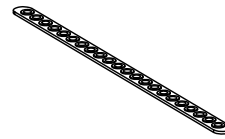
Door Hinge x 4

I



Buffer x 8

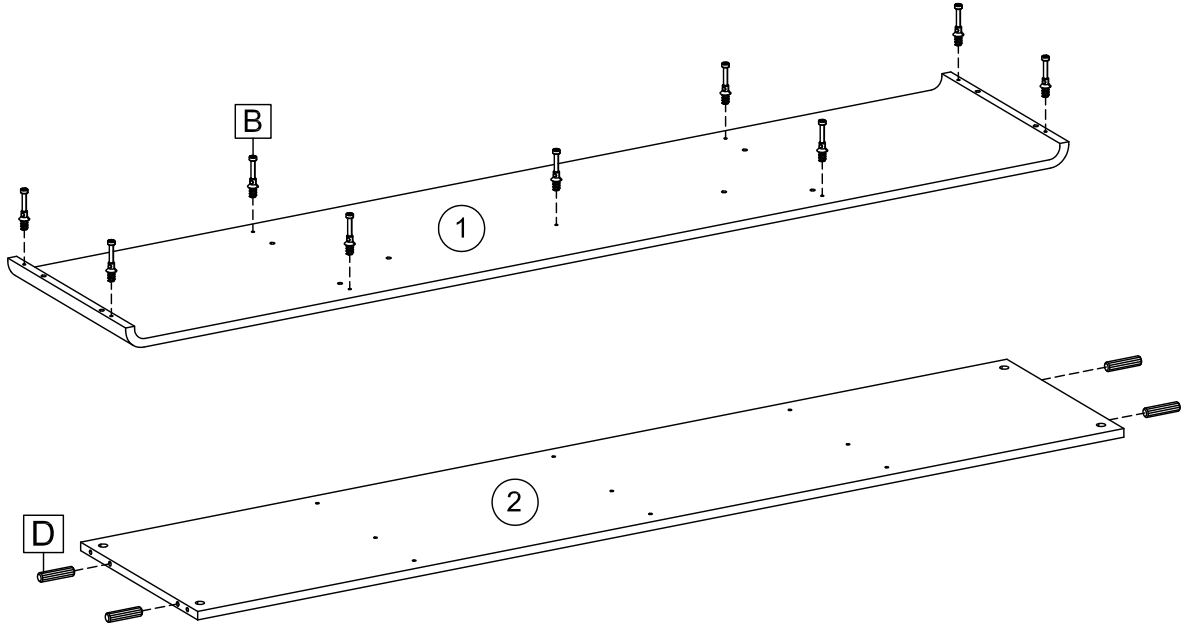
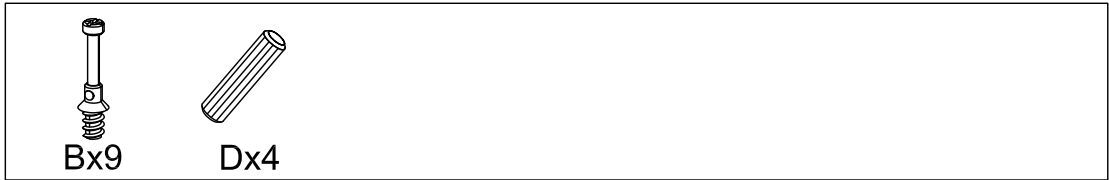
J



Anti-tip Bracket x 1

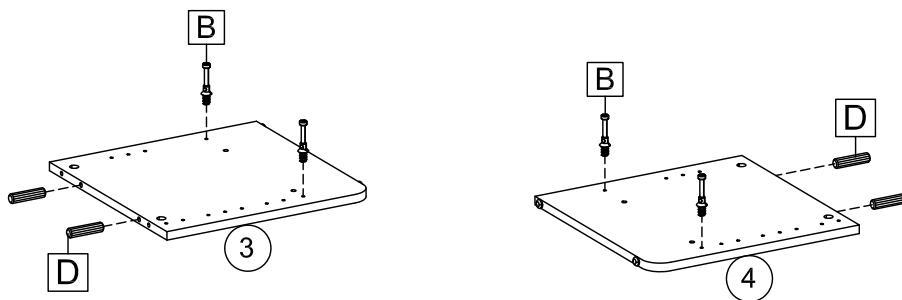
K

# 1



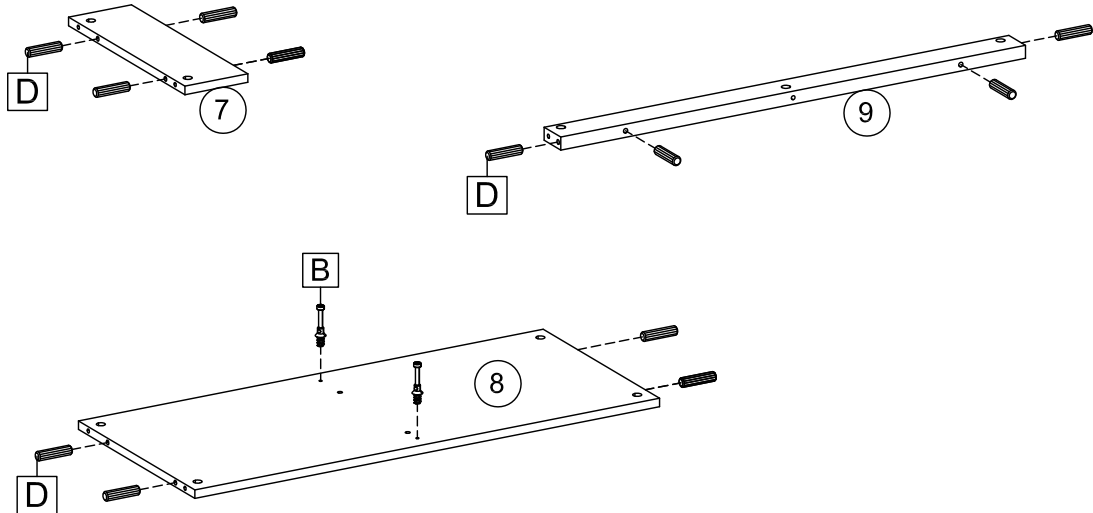
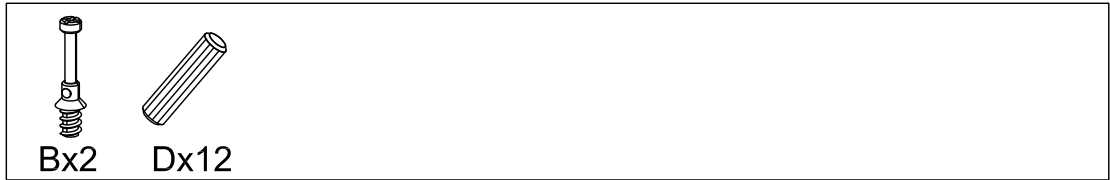
Screw 9 x Cam Bolts (B) into Top Panel (1).  
Insert 4 x Plastic Dowel (D) into Bottom Panel (2),  
If necessary, gently tap the Plastic dowels with a mallet.

# 2



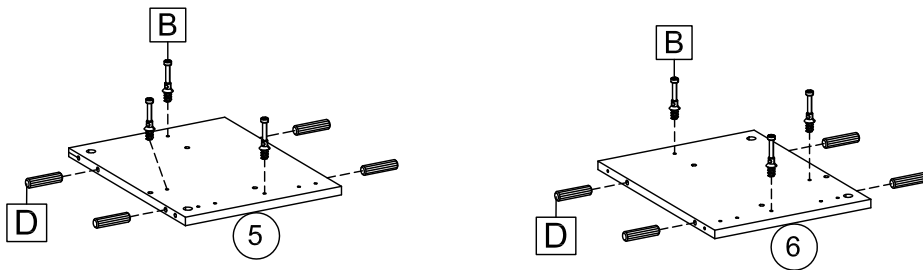
Screw 4 x Cam Bolts (B) into Left Panel (3) and Right Panel (4).  
Insert 4 x Plastic Dowel (D) into Left Panel (3) and Right Panel (4).  
If necessary, gently tap the Plastic dowels with a mallet.

# 3



Screw 2 x Cam Bolts (B) into Fix Shelf (8).  
Insert 12 x Plastic Dowel (D) into Divider Middle Panel (7) Fix Shelf (8) and Top Panel Support (9).  
If necessary, gently tap the Plastic dowels with a mallet.

# 4



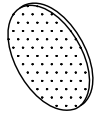
Screw 6 x Cam Bolts (B) into Divider Left Panel (5) and Divider Right Panel (6).  
Insert 8 x Plastic Dowel (D) into Divider Left Panel (5) and Divider Right Panel (6).  
If necessary, gently tap the Plastic dowels with a mallet.

# 6

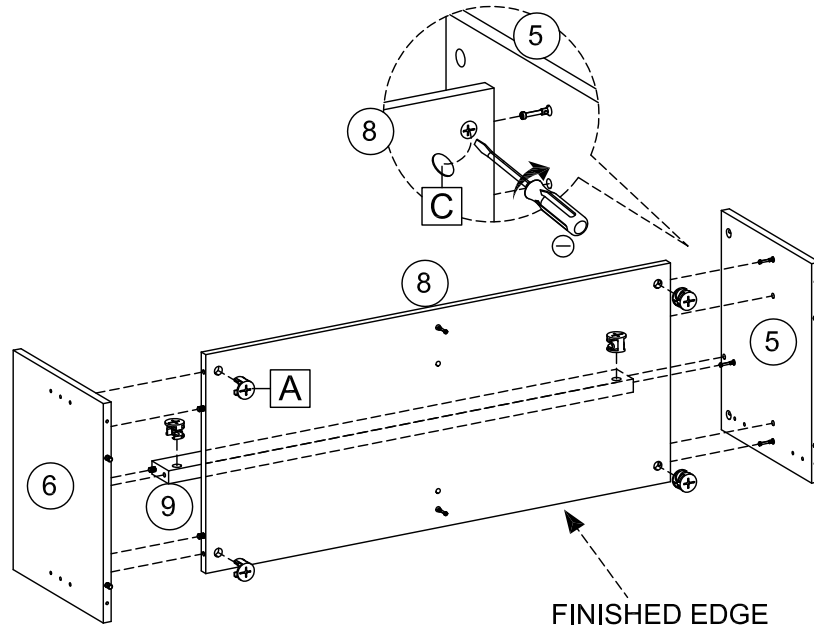
# 5



Ax6



Cx6

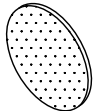


Attach Divider Left Panel (5) and Divider Right Panel (6) to Fix Shelf (8) and Top Panel Support (9) using 6 x Cam lock (A) as shown, Use a screwdriver to turn the Cam lock clockwise to lock. Paste 6 x Cam Sticker (C) as shown.

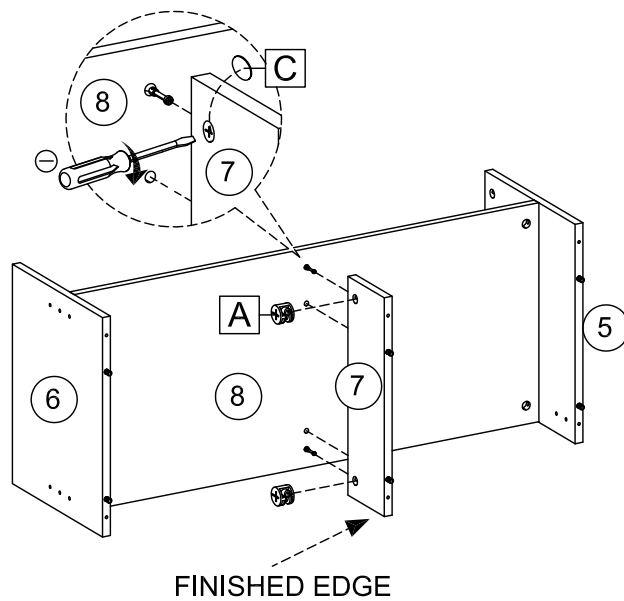
# 6



Ax2



Cx2

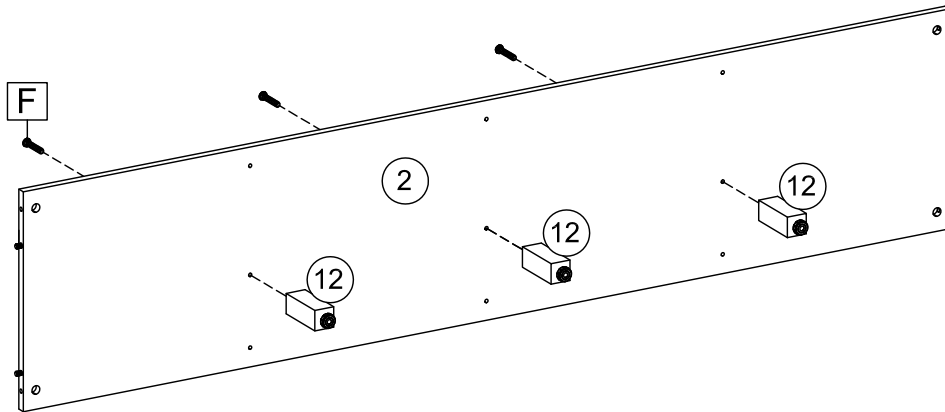


Attach Divider Middle Panel (7) to Assembly using 2 x Cam lock (A), Use a screwdriver to turn the Cam lock clockwise to lock. Paste 2 x Cam Sticker (C) as shown.

# 7



Fx3

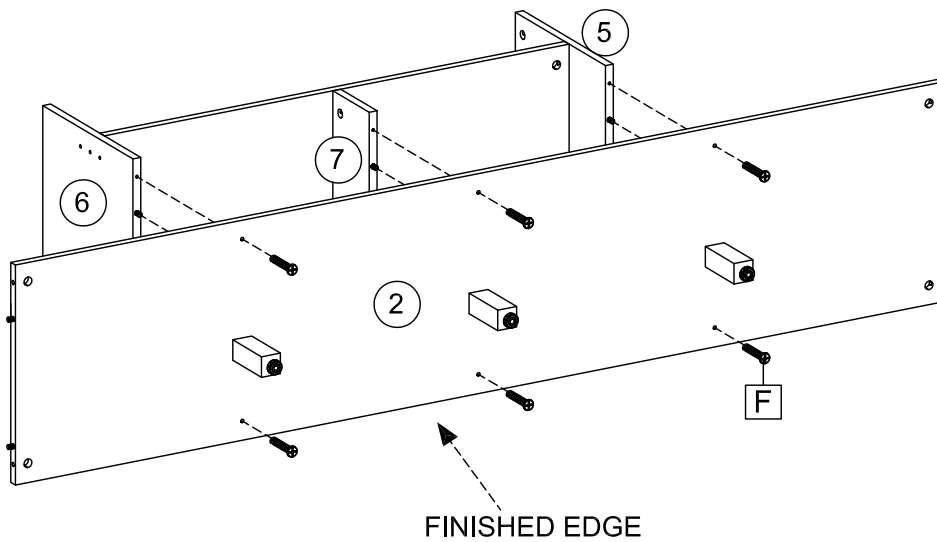


Attach Leg (12) to Bottom Panel (2) using 3 x Screws (F).

# 8



Fx6



Attach Bottom Panel (2) to Assembly using 6 x Screws (F).

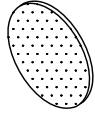
# 8



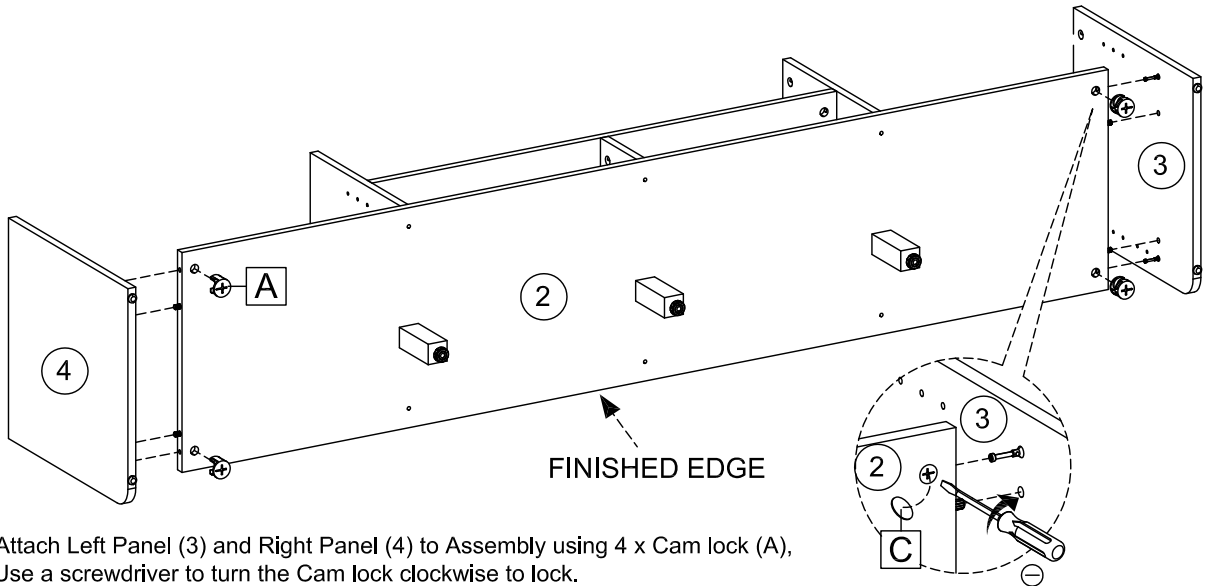
# 9



Ax4



Cx4

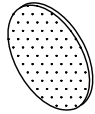


Attach Left Panel (3) and Right Panel (4) to Assembly using 4 x Cam lock (A),  
Use a screwdriver to turn the Cam lock clockwise to lock.  
Paste 4 x Cam Sticker (C) as shown.

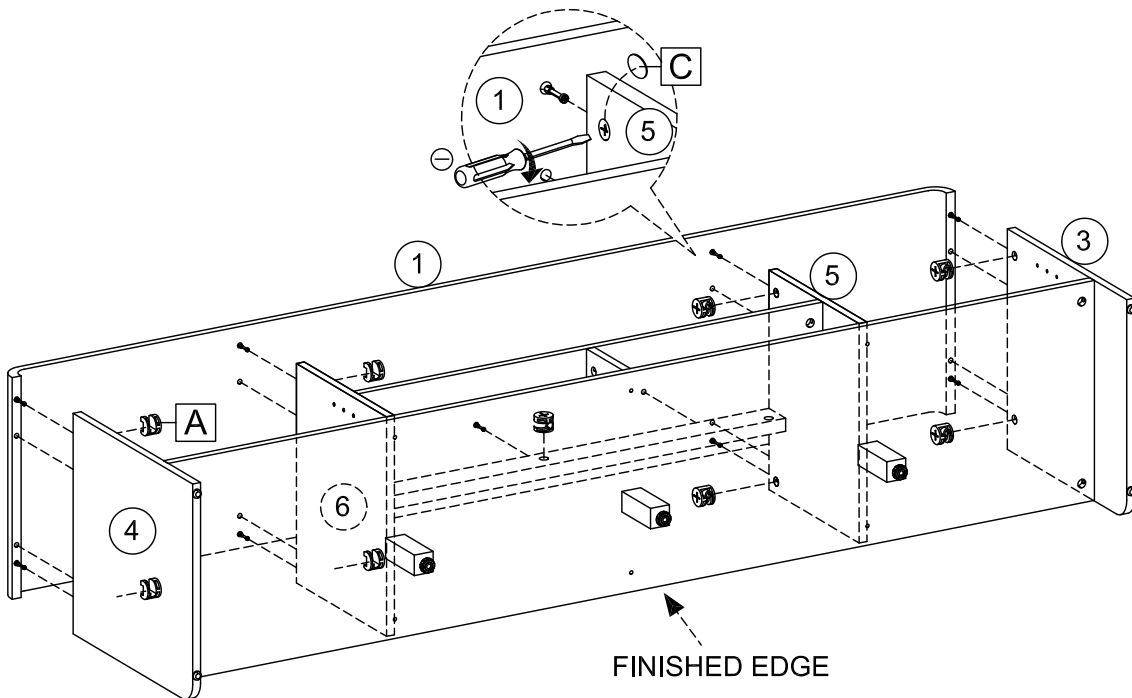
# 10



Ax9

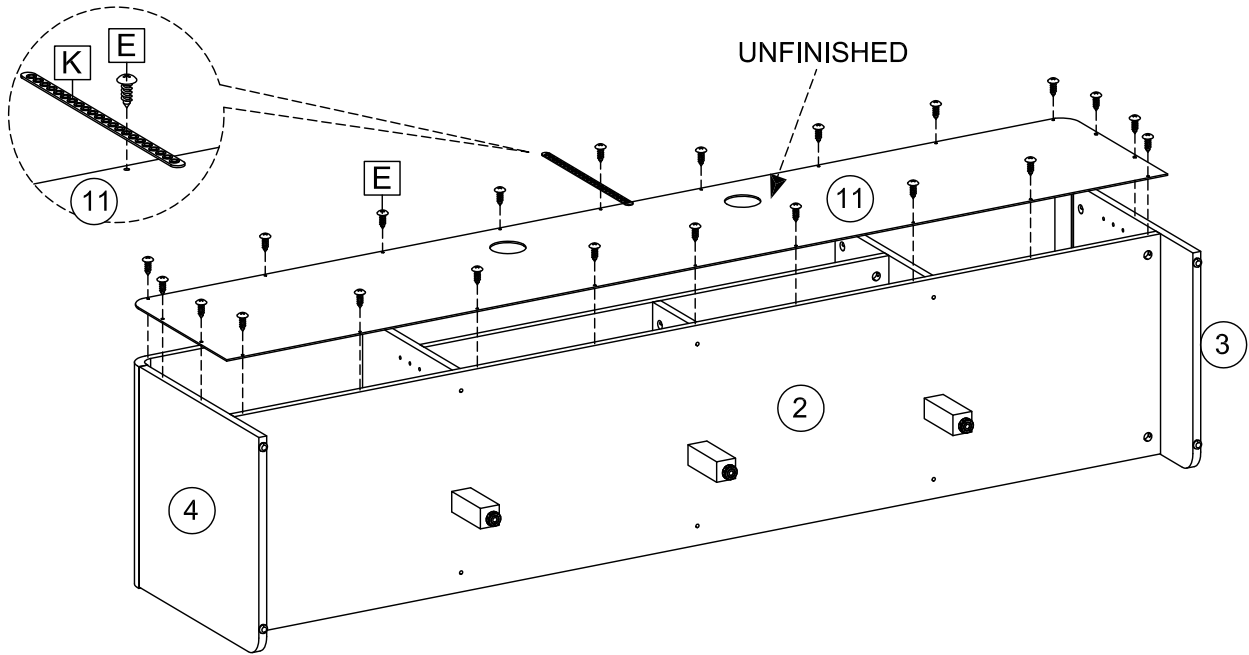
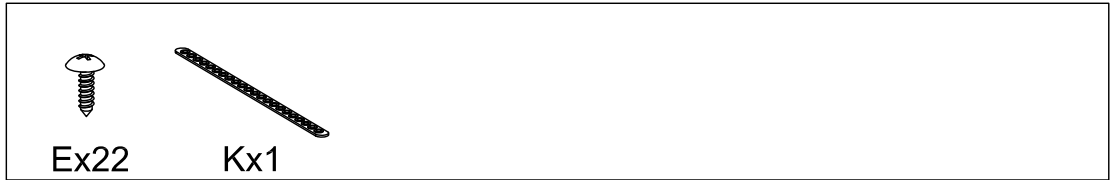


Cx9



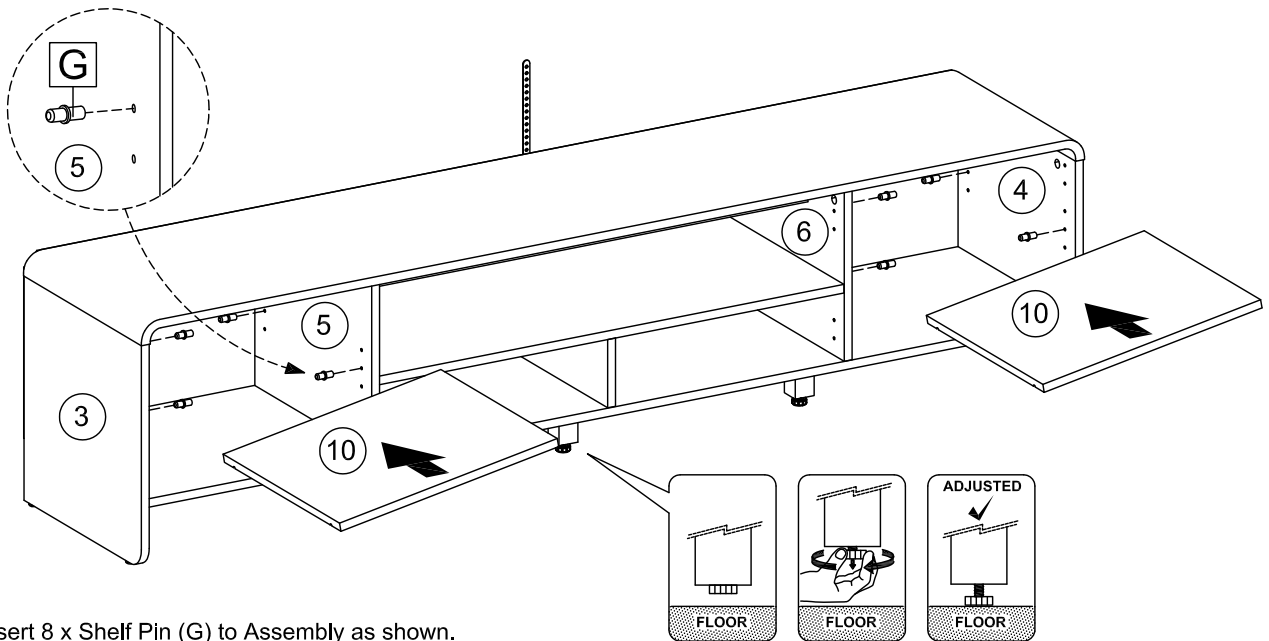
Attach Top Panel (1) to Assembly using 9 x Cam lock (A),  
Use a screwdriver to turn the Cam lock clockwise to lock.  
Paste 9 x Cam Sticker (C) as shown.

# 11



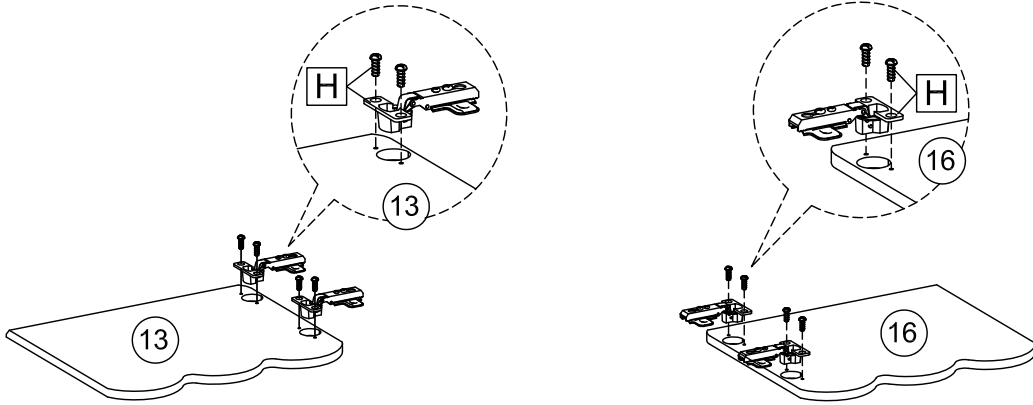
Attach Back Panel (11) to Assembly using 21 x Screws (E).  
Attach 1 x Anti-tip Bracket (K) to Back Panel (11) using 1 x Screw (E).

# 12



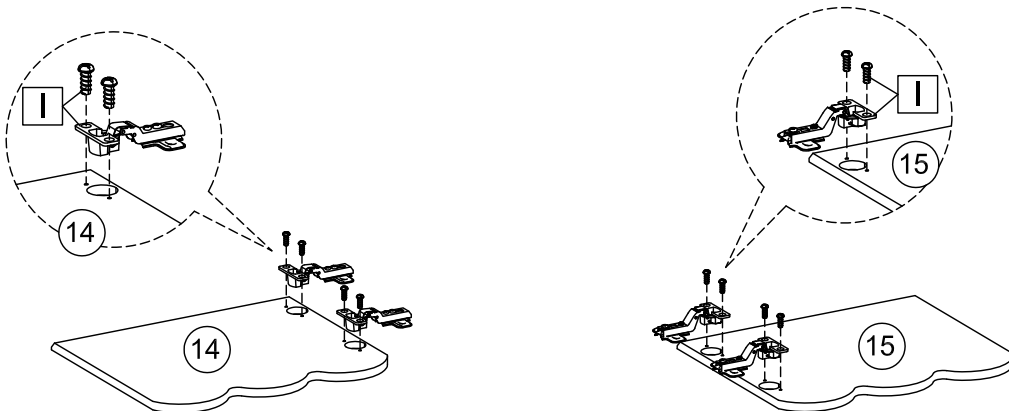
Insert 8 x Shelf Pin (G) to Assembly as shown.  
Insert 2 x Adjustable Shelf (10) to Assembly as shown.  
Adjust the Leg until flat with floor.

# 13



Attach 4 x Door Hinge (H) to Left Door (13) and Right Door (16) as shown.

# 14

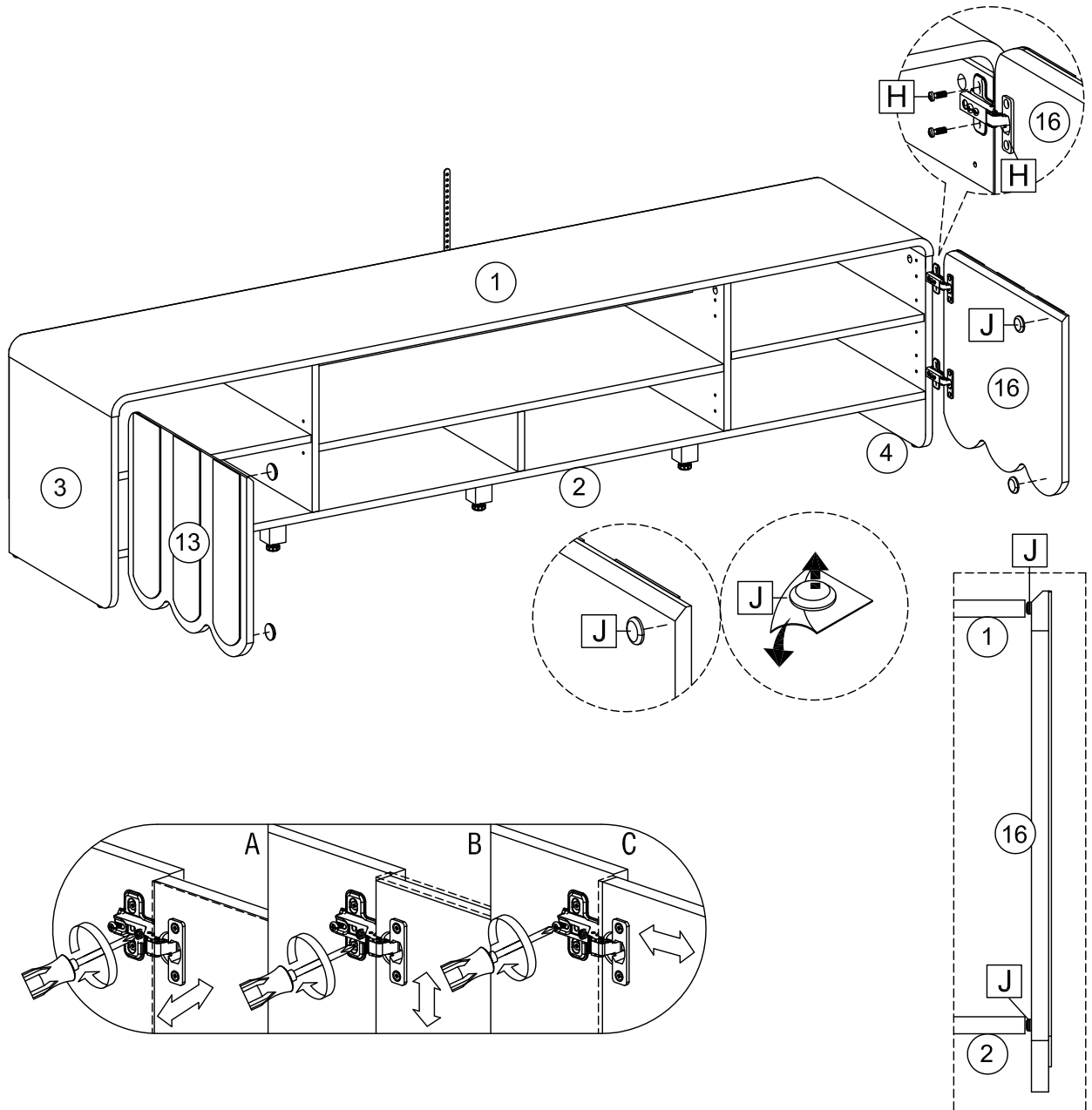


Attach 4 x Door Hinge (I) to Middle Left Door (14) and Middle Right Door (15) as shown.

# 15



Jx4

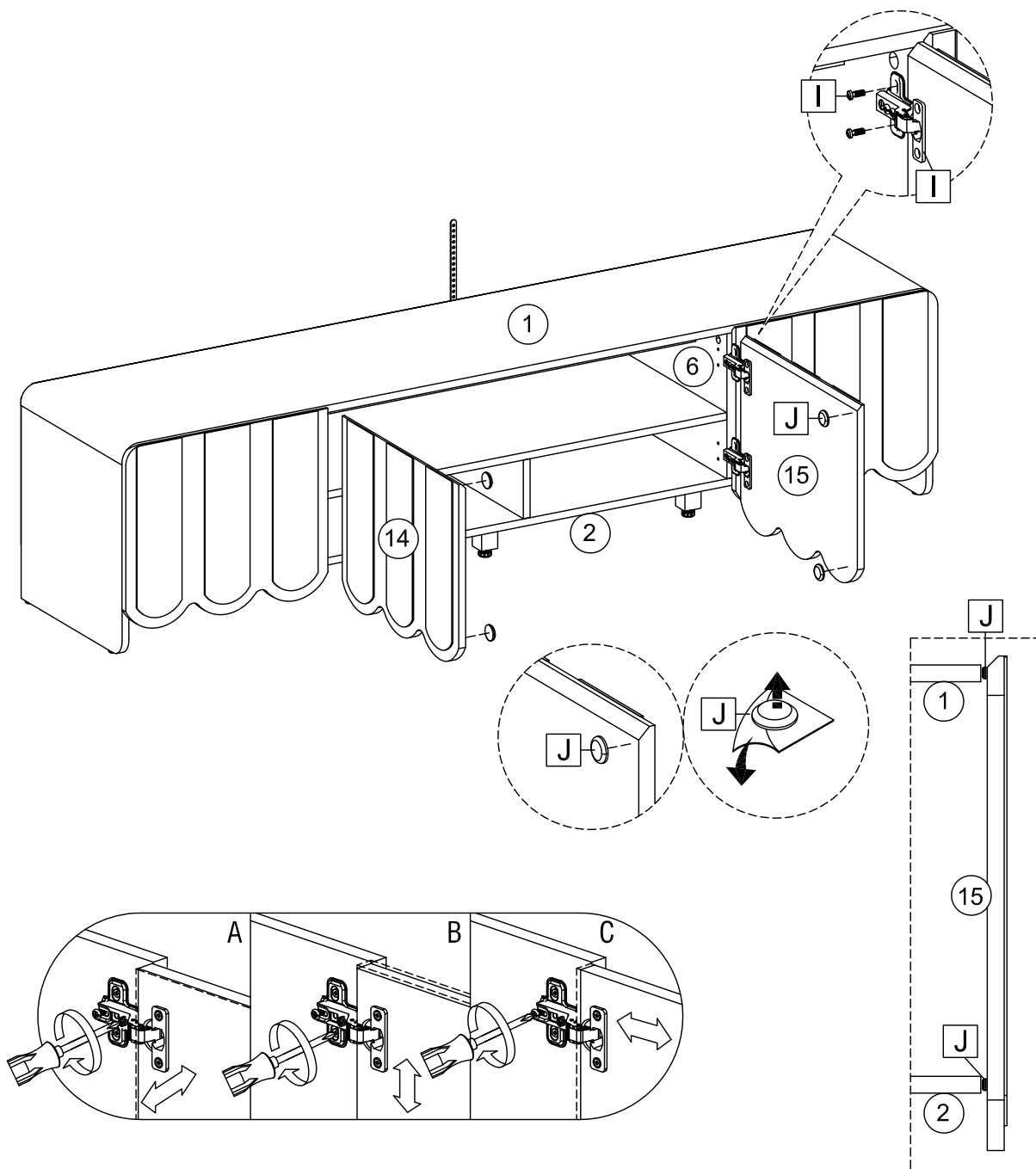


Attach 1 x Left Door (13) and 1 x Right Door (16) to Assembly as shown.  
Adjust Door Hinge (H) until Fix.  
Paste 4 x Buffer (J) to Left Door (13) and Right Door (16) as shown.

# 16

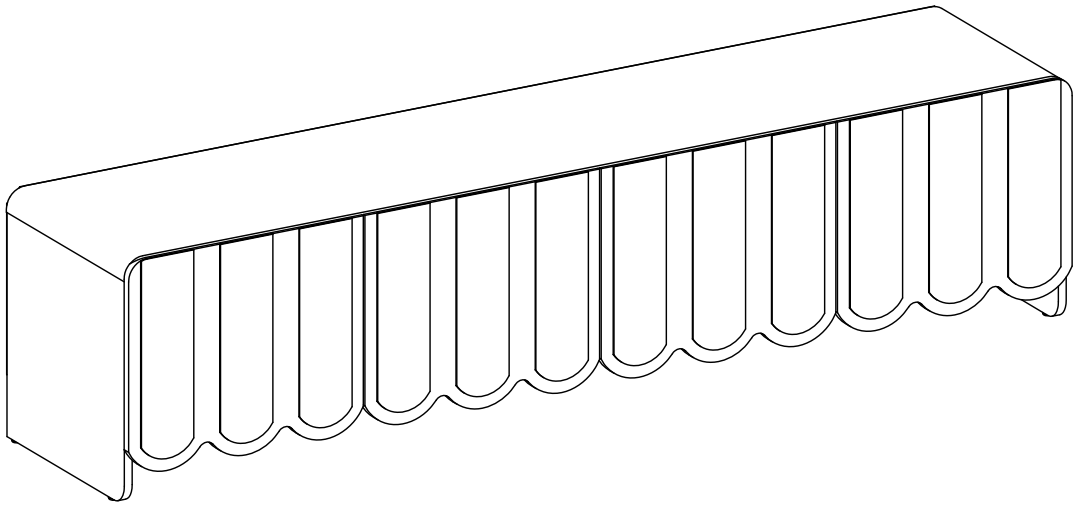


Jx4



Attach 1 x Middle Left Door (14) and 1 x Middle Right Door (15) to Assembly as shown.  
Adjust Door Hinge (I) until Fix.  
Paste 4 x Buffer (J) to Middle Left Door (14) and Middle Right Door (15) as shown.

# 17



Assembly is complete.

**Please dispose of all  
packaging thoughtfully**

14