

Read these instructions and follow steps carefully to ensure you assemble the product correctly and avoid damages. Check that all parts and hardware have been provided before assembling the products. Place all contents on a clean, soft-flat surface to avoid scratching the product.

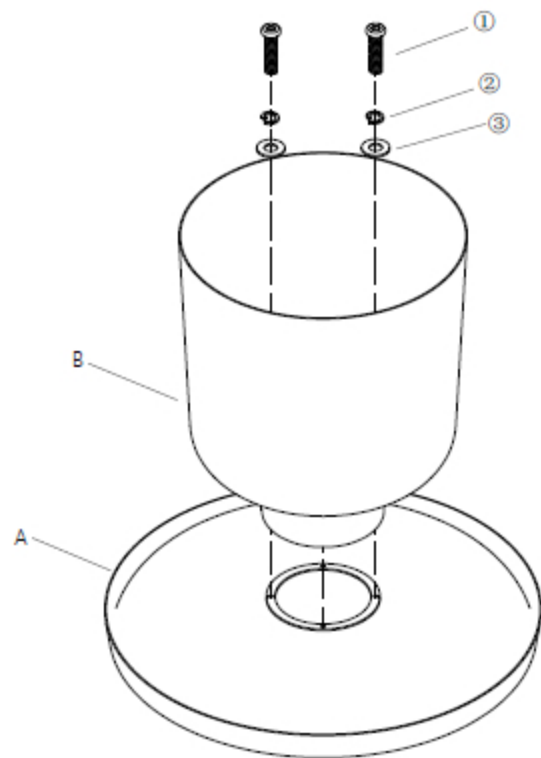
**▲ CAUTION:**  
Only tighten bolts to 80% at first. Once all parts have been assembled, fully tighten all hardware. To prevent damage to threads, do not use a power tool and do not over tighten bolts. Use two people to lift and turn the product when assembling. Do not attempt with only one person and do not roll on to legs. Keep all hardware and small parts away from children.



PART LIST		
ITEM	DESCRIPTION	QTY
A	TABLE TOP	1 PC
B	TABLE LEG	1 PC

HARDWARE LIST		
ITEM	DESCRIPTION	QTY
1	HEXAGON SCREW WITH FLAT HEAD M6×10	2 PCS
2	SPRING WASHER M6	2 PCS
3	FLAT WASHER M6+Ø12×1	2 PCS
4	HEXAGON SPANNER M5	1 PC

STEP 1



STEP 2

