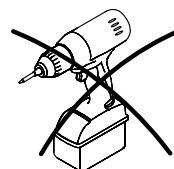
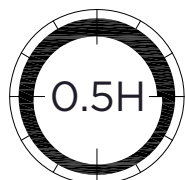
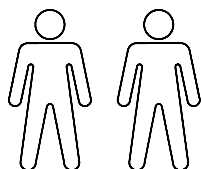
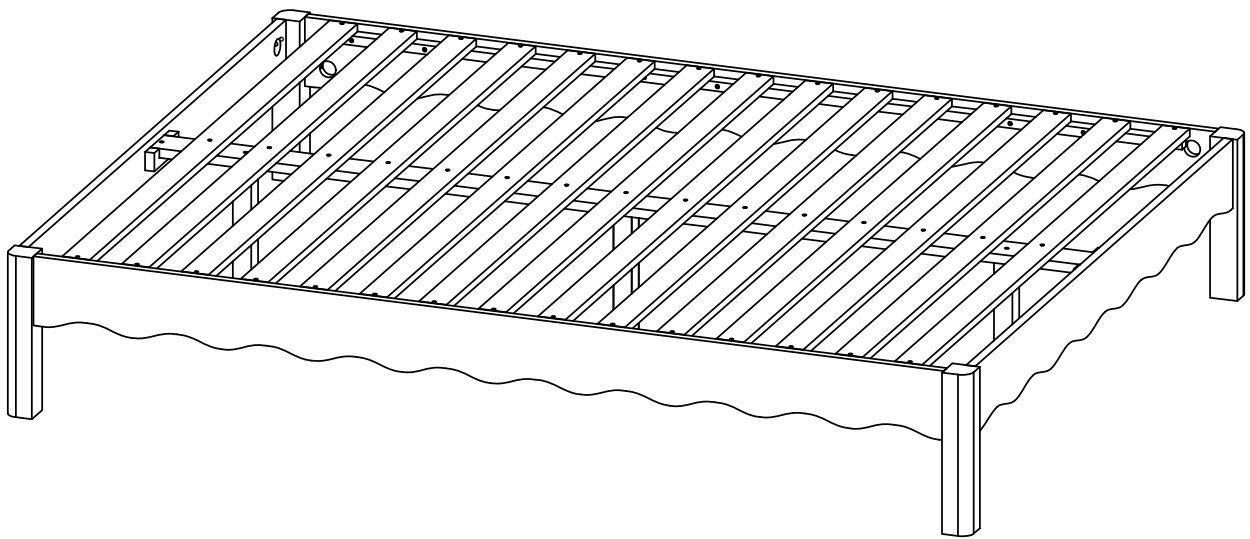


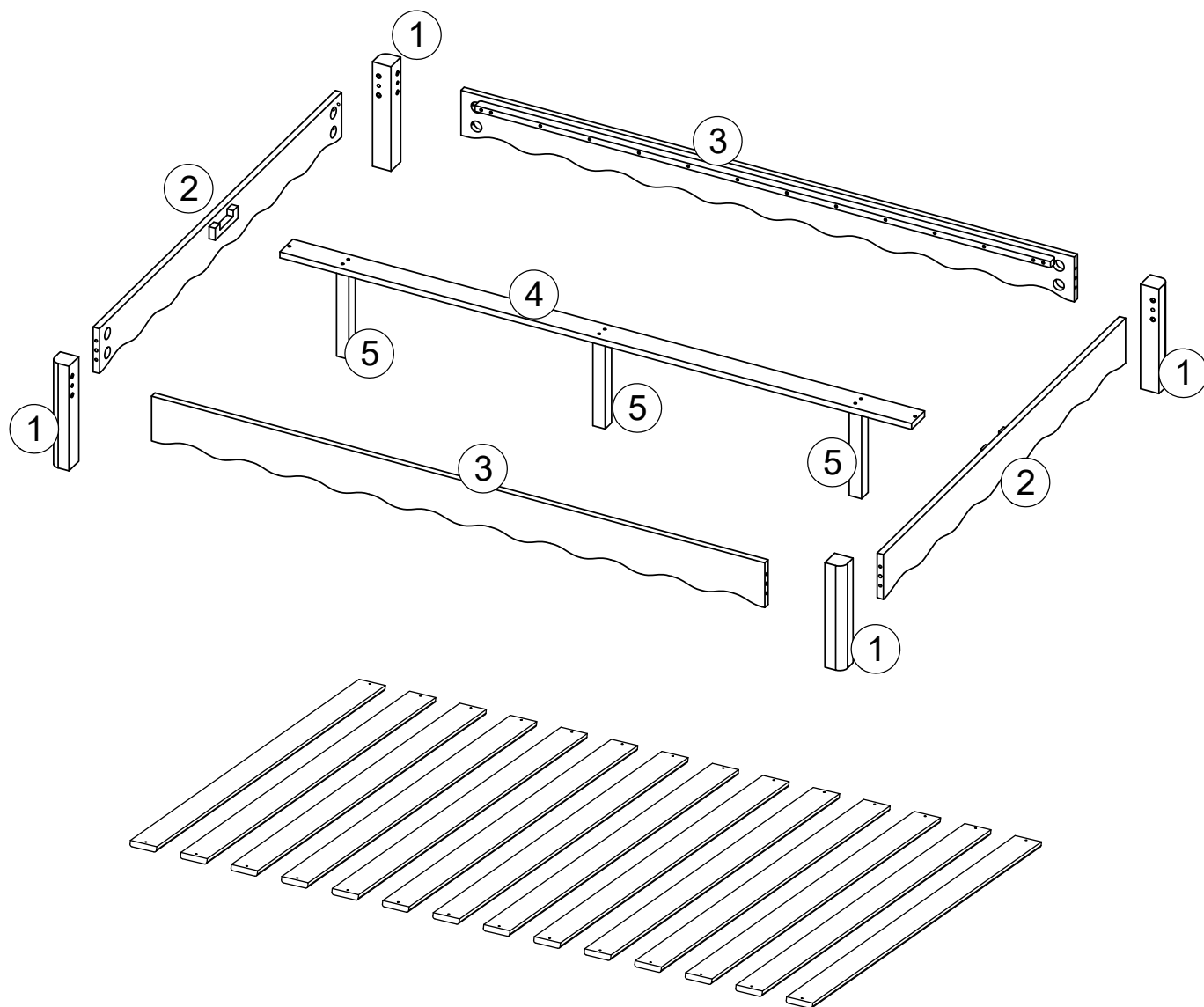
TEMPLE & WEBSTER

www.templeandwebster.com.au

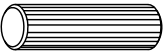

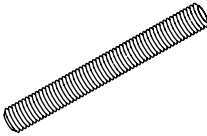
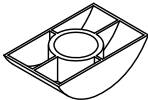


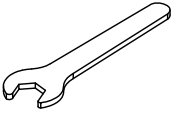

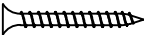

ASSEMBLY INSTRUCTION OCEVDBNT/OCEVQBNT/OCEVKBNT



PART LIST



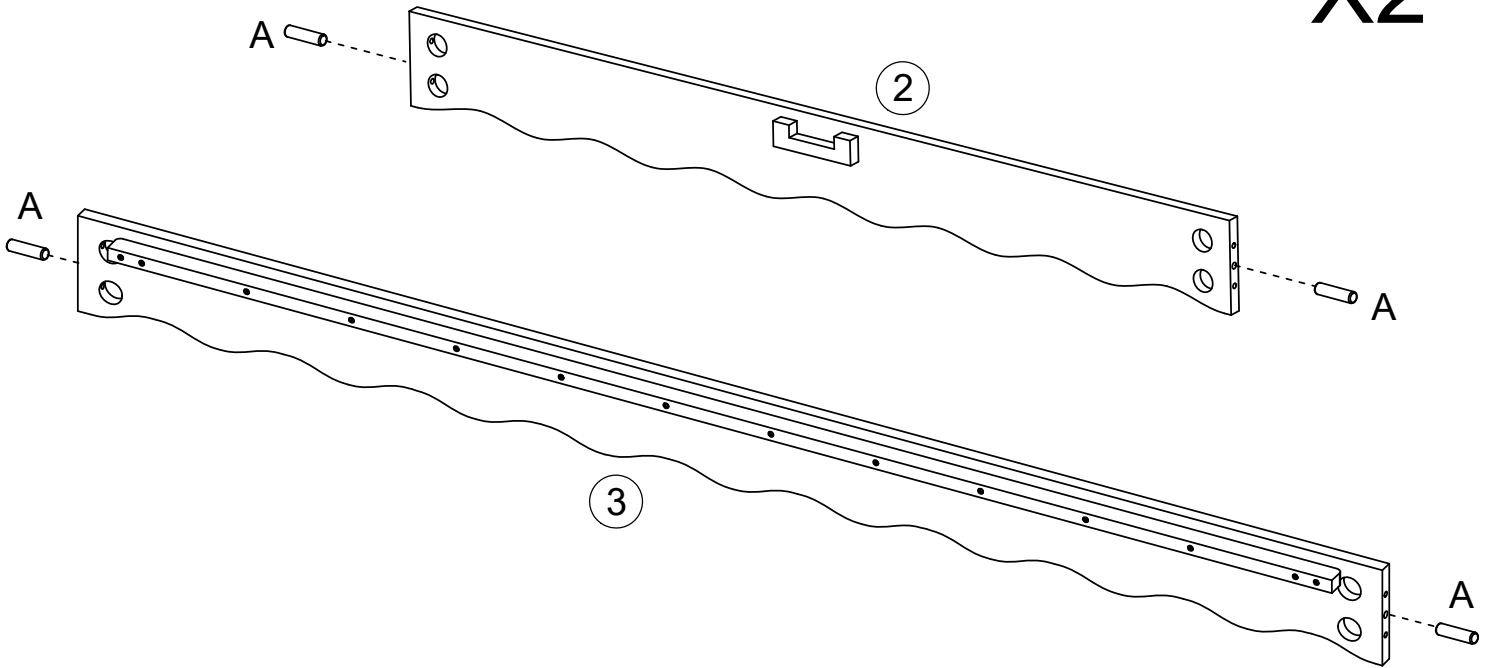
HARDWARE LIST

<p>AX8 Ø8x30mm</p> 	<p>BX6 Ø7x60mm</p> 	<p>CX16 M6x70mm</p> 	<p>DX16</p> 
<p>EX16</p> 	<p>FX16</p> 	<p>GX1</p> 	<p>HX1 M4</p> 
<p>JX45 Ø4x30mm</p> 	<p>KX4</p> 		

ASSEMBLY

1

X2



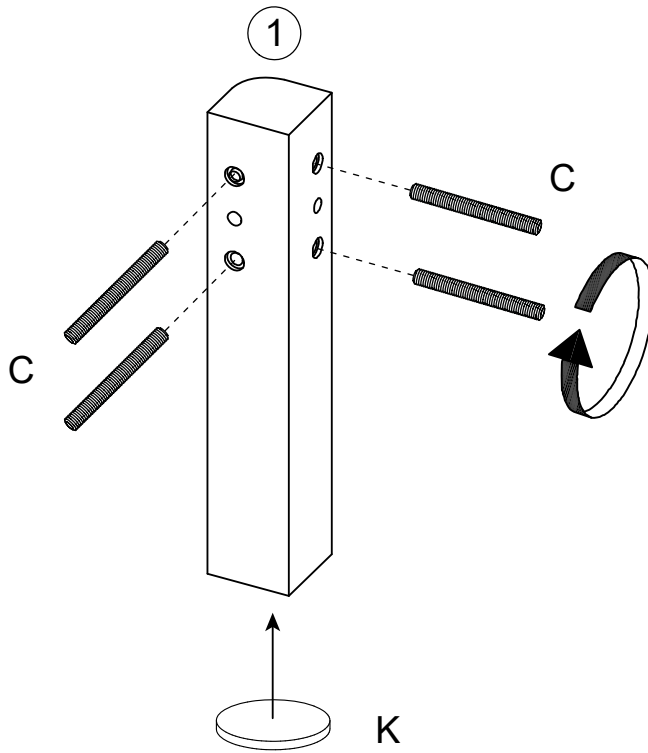
Φ10x30mm



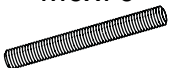
AX8

2

X4



M6x70



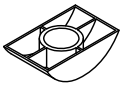
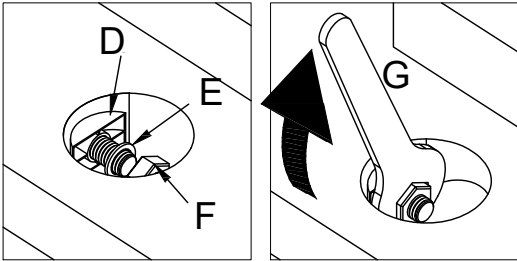
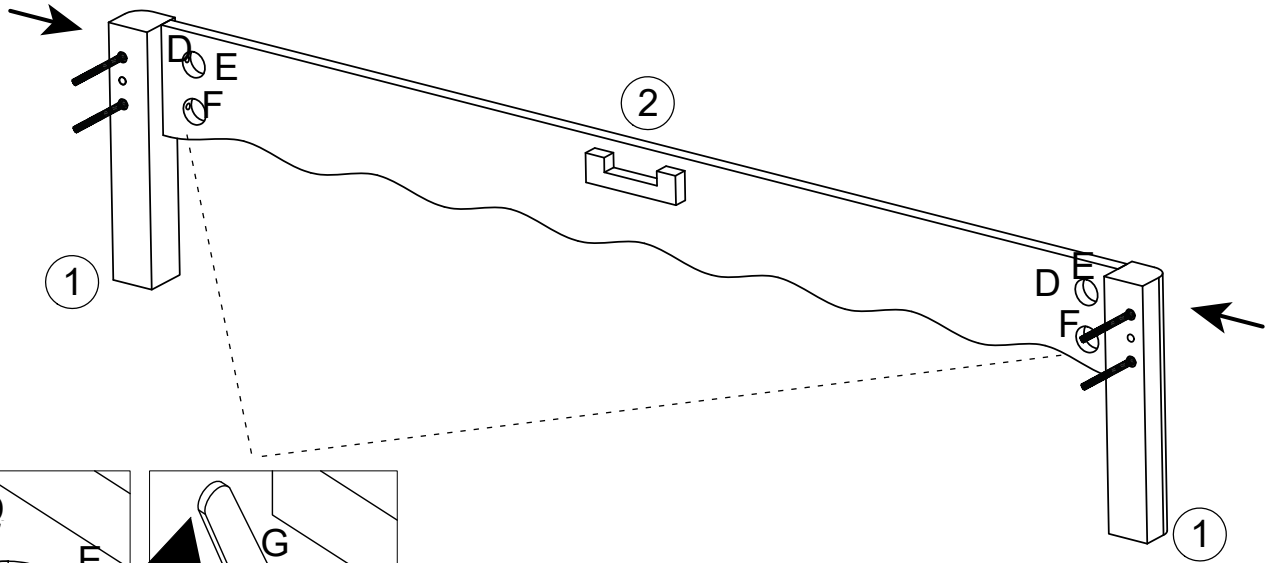
CX16



KX4

3

X2



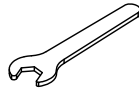
DX8



EX8

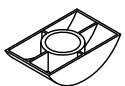
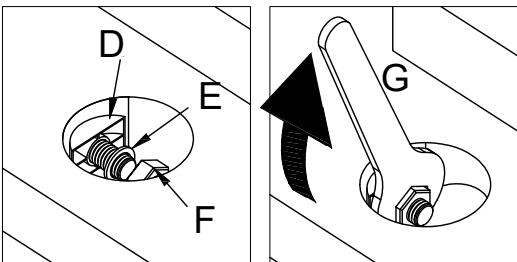
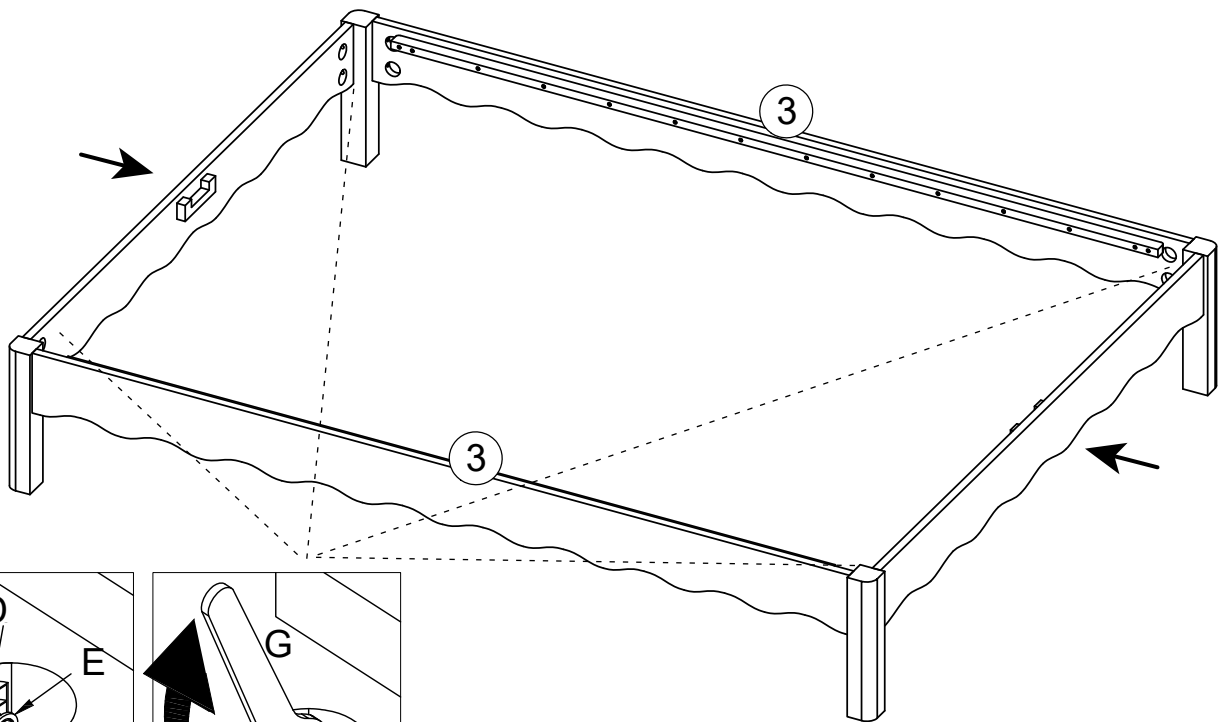


FX8



GX1

4



DX8



EX8

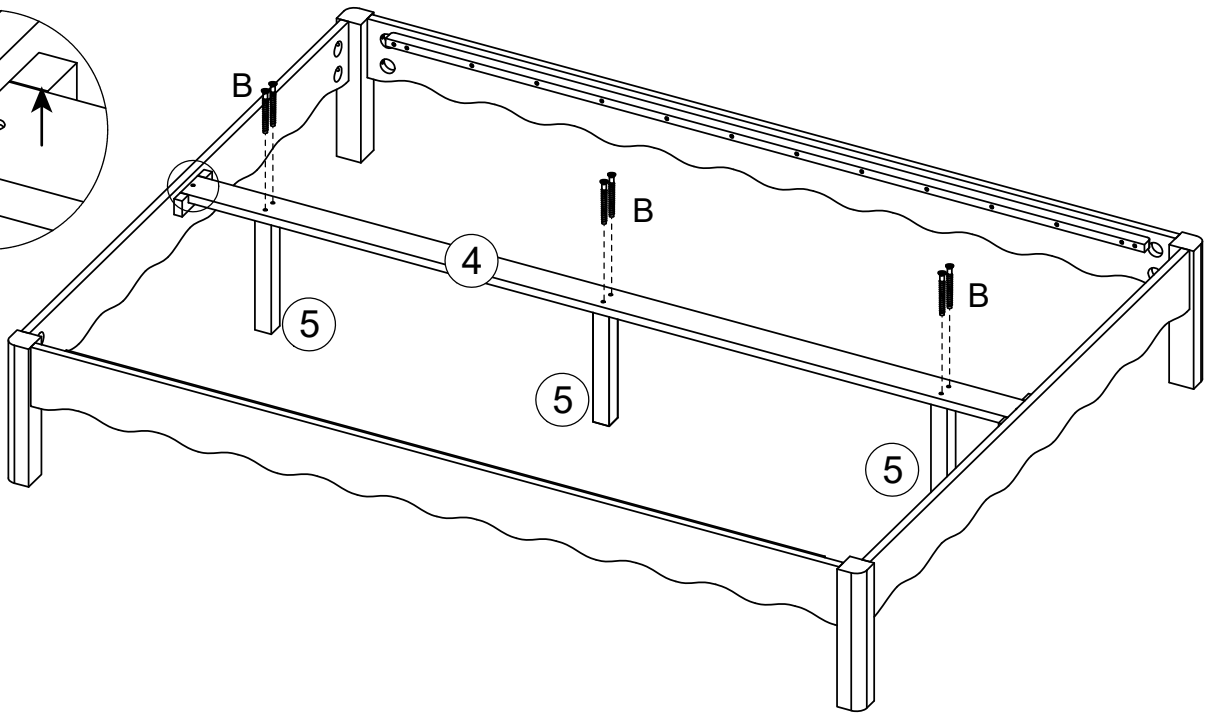
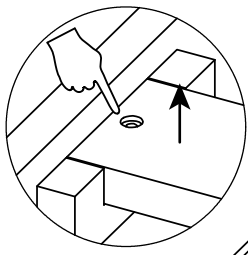


FX8



GX1

5



Ø7x60mm



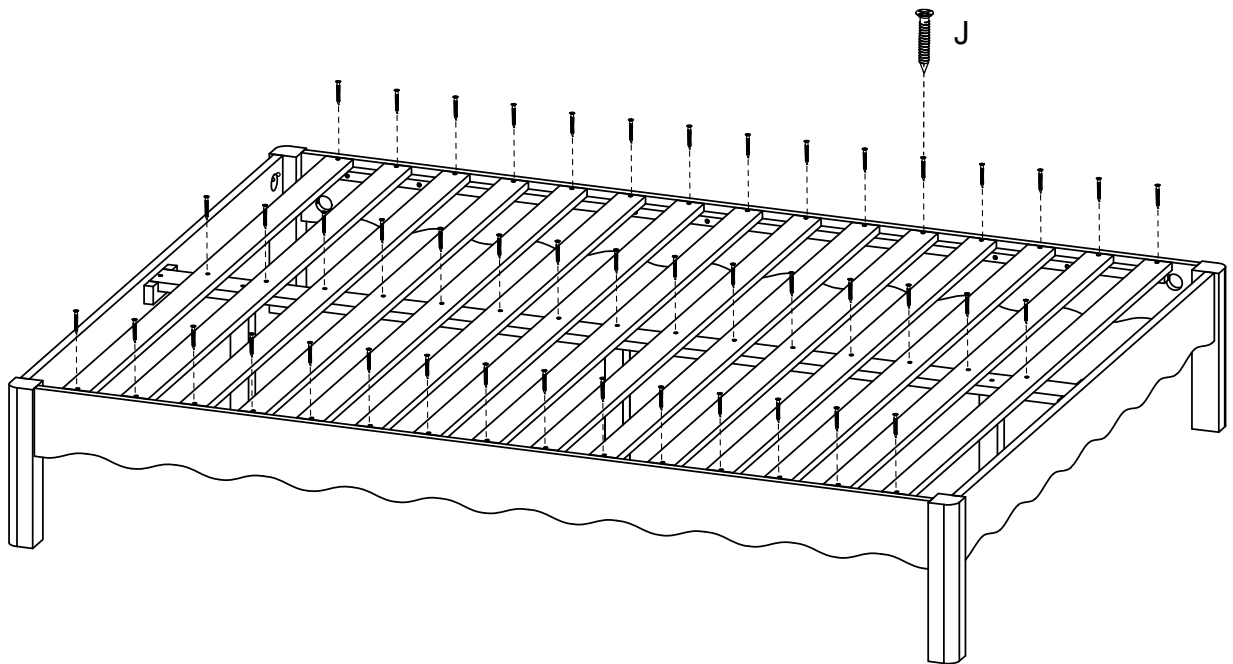
BX6

M4

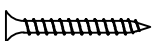


HX1

6



Ø4x30mm



JX45

7

