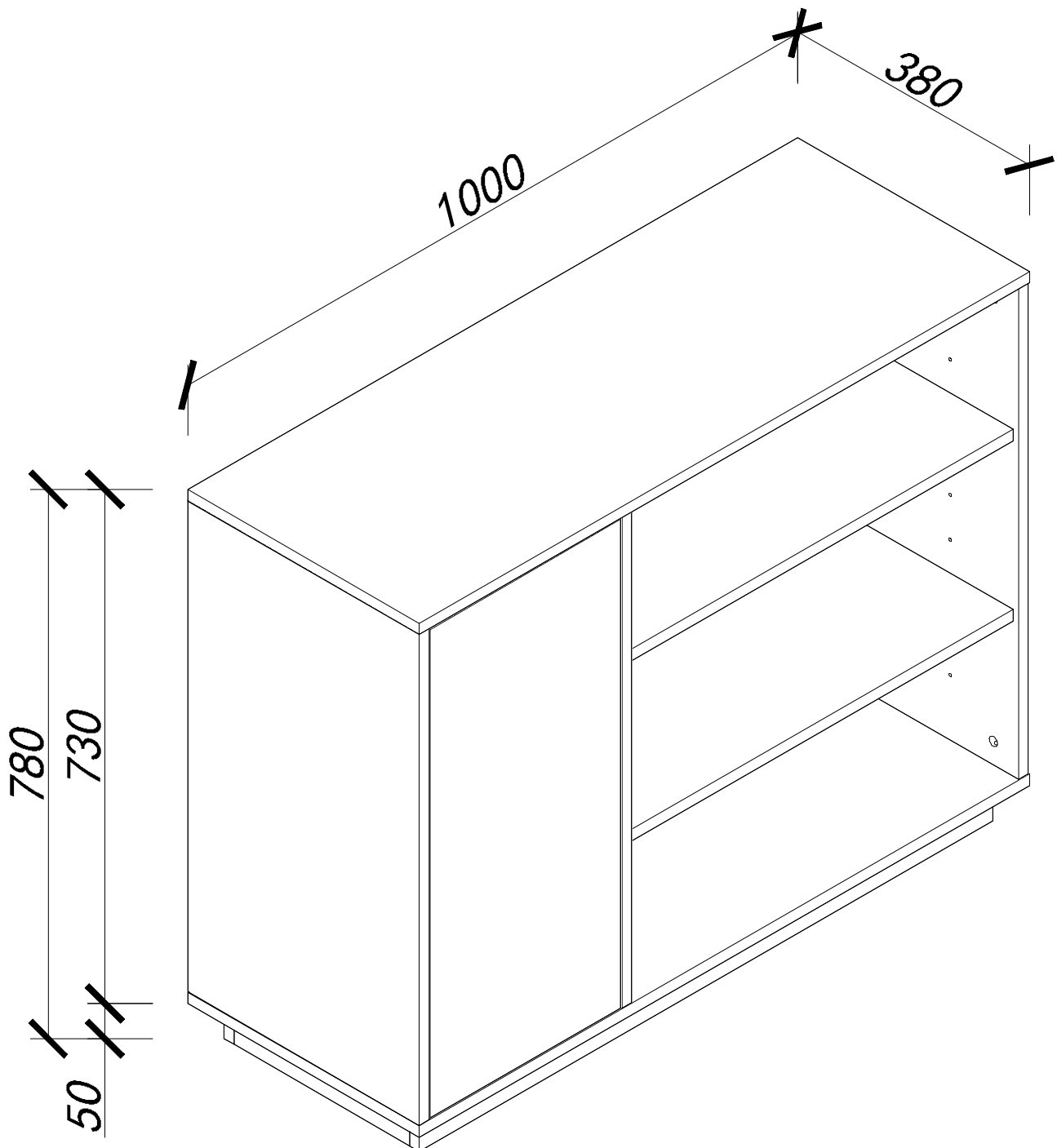


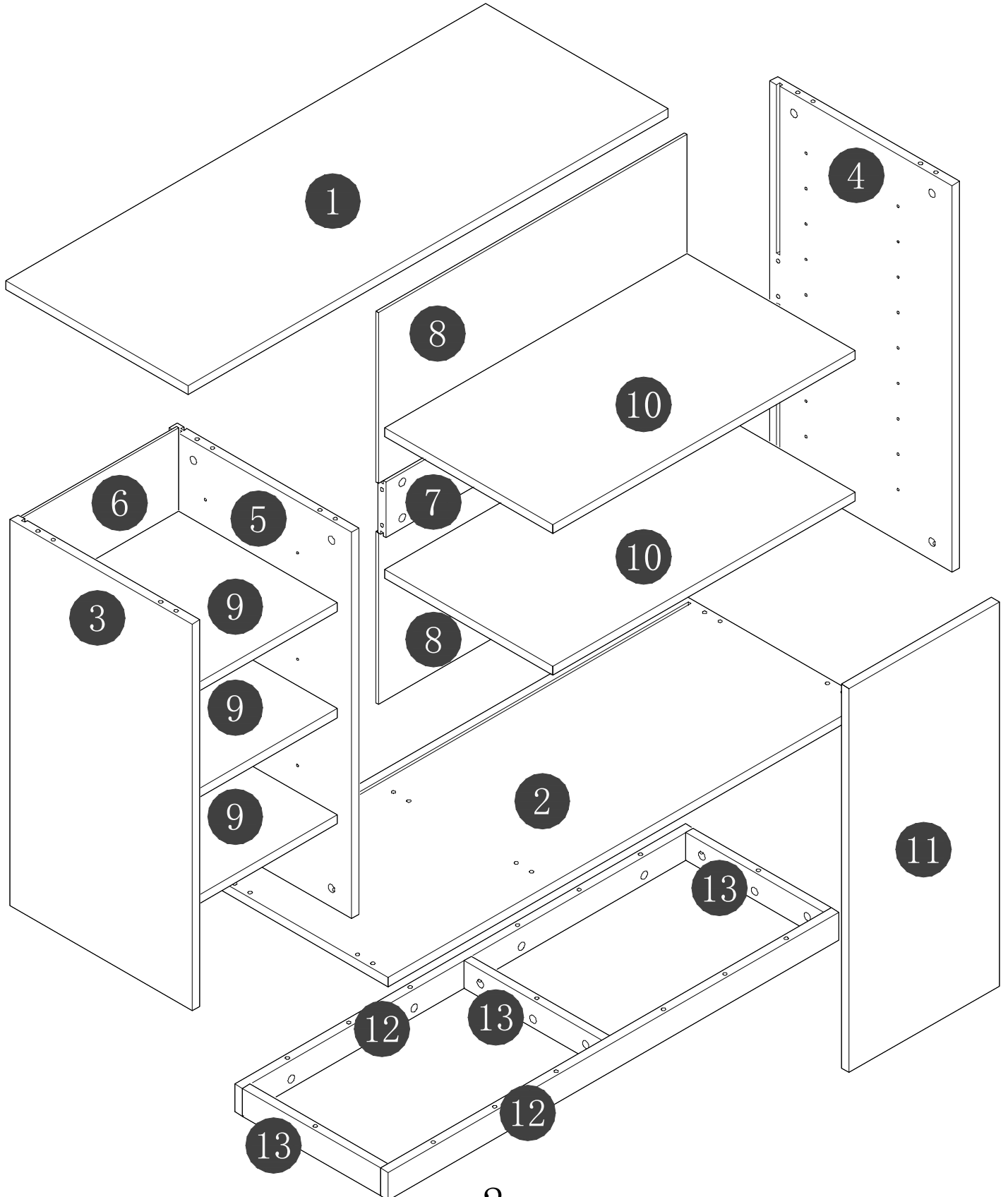
TEMPLE & WEBSTER

Assembly Instruction



Panel No	Panel Sizes	Quantity
1	1000*380*16	1
2	1000*380*16	1
3	698*379*16	1
4	698*379*16	1
5	698*379*16	1
6	327*708*5	1
7	633*100*16	1

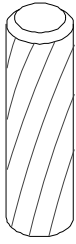
Panel No	Panel Sizes	Quantity
8	643*309*5	2
9	314*330*16	3
10	630*350*16	2
11	694*313*16	1
12	940*50*16	2
13	288*50*16	3



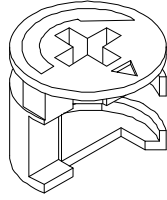
Fittings



A=33



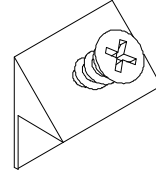
B=16



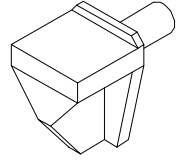
C=33



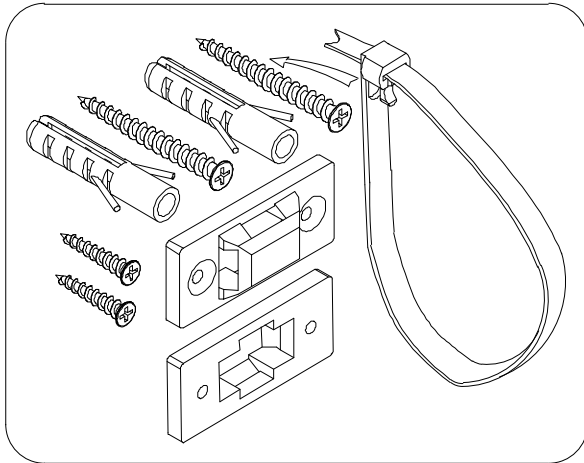
D=33



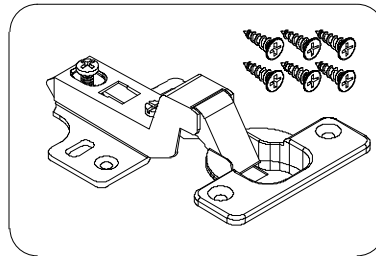
E=18



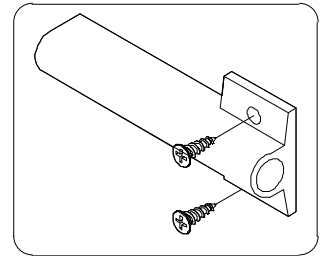
L=20



F=1

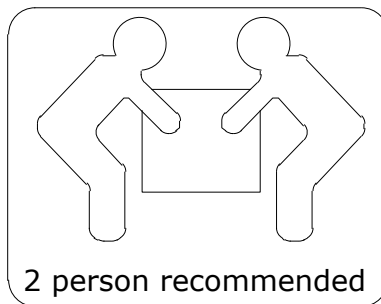
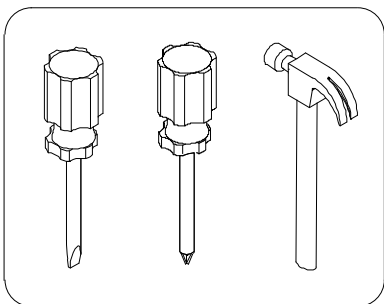


I=2



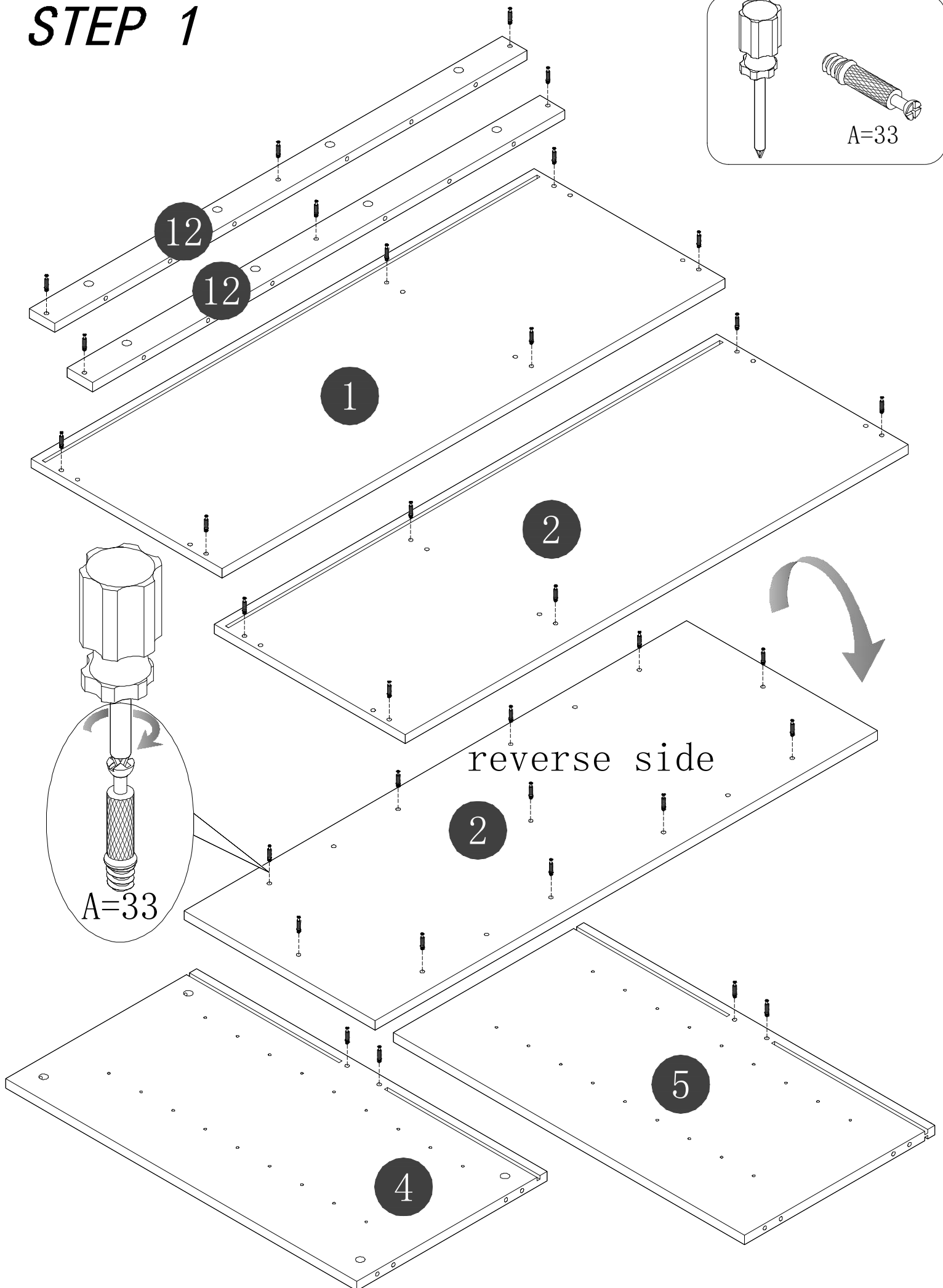
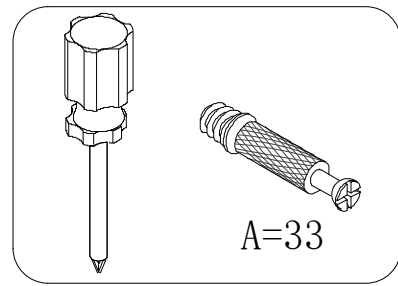
K=1

Tools Needed

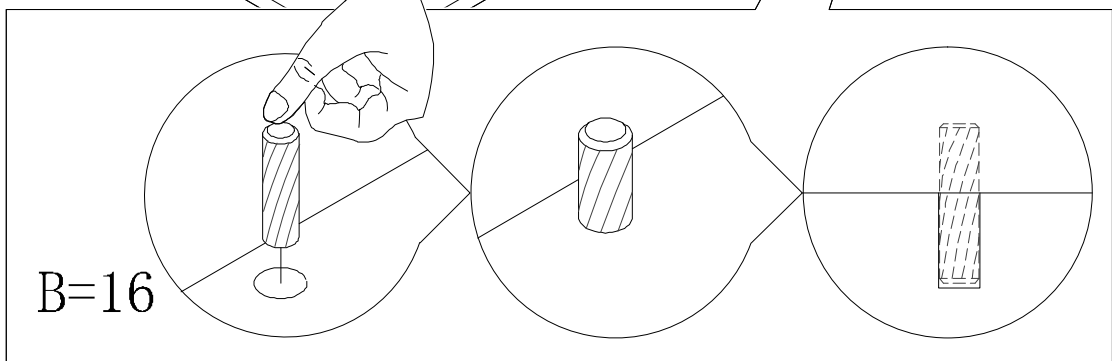
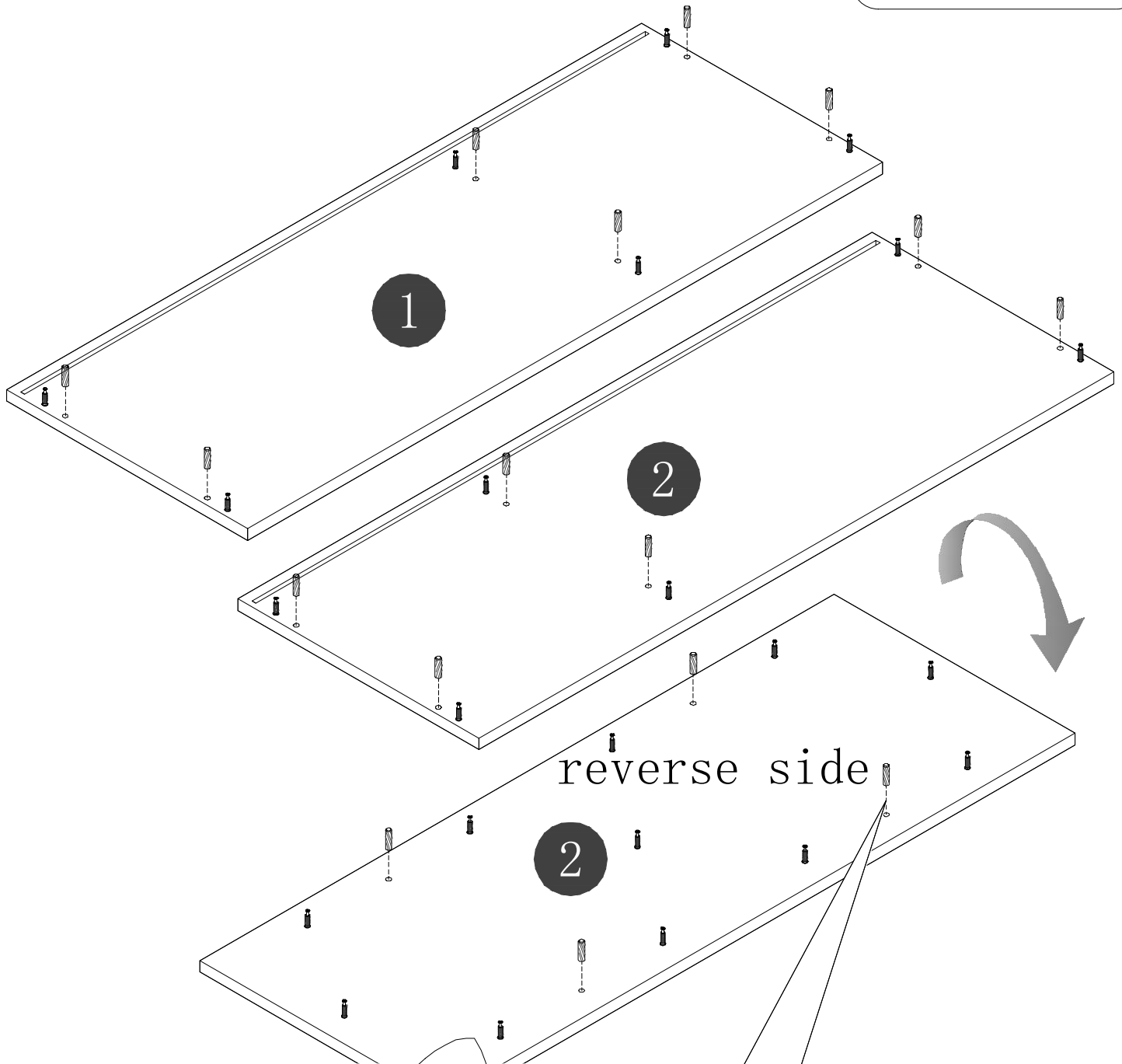
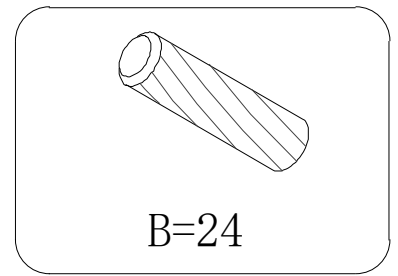


2 person recommended

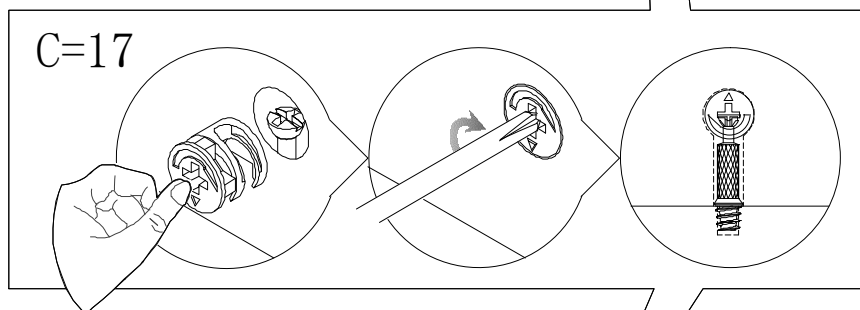
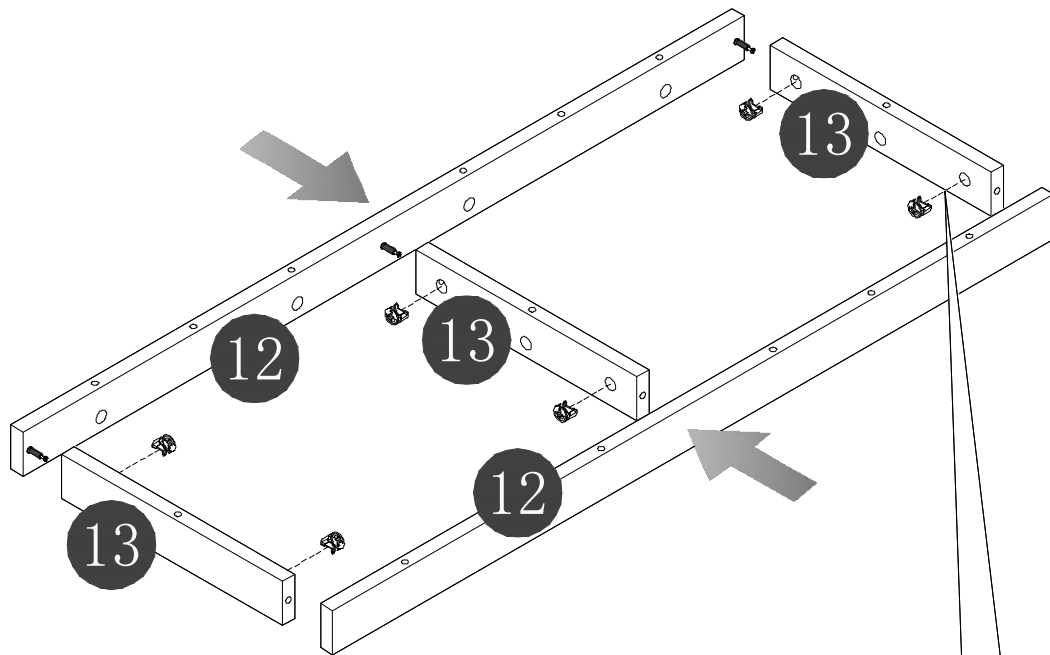
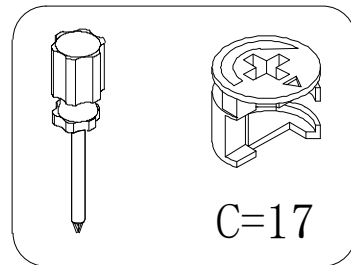
STEP 1



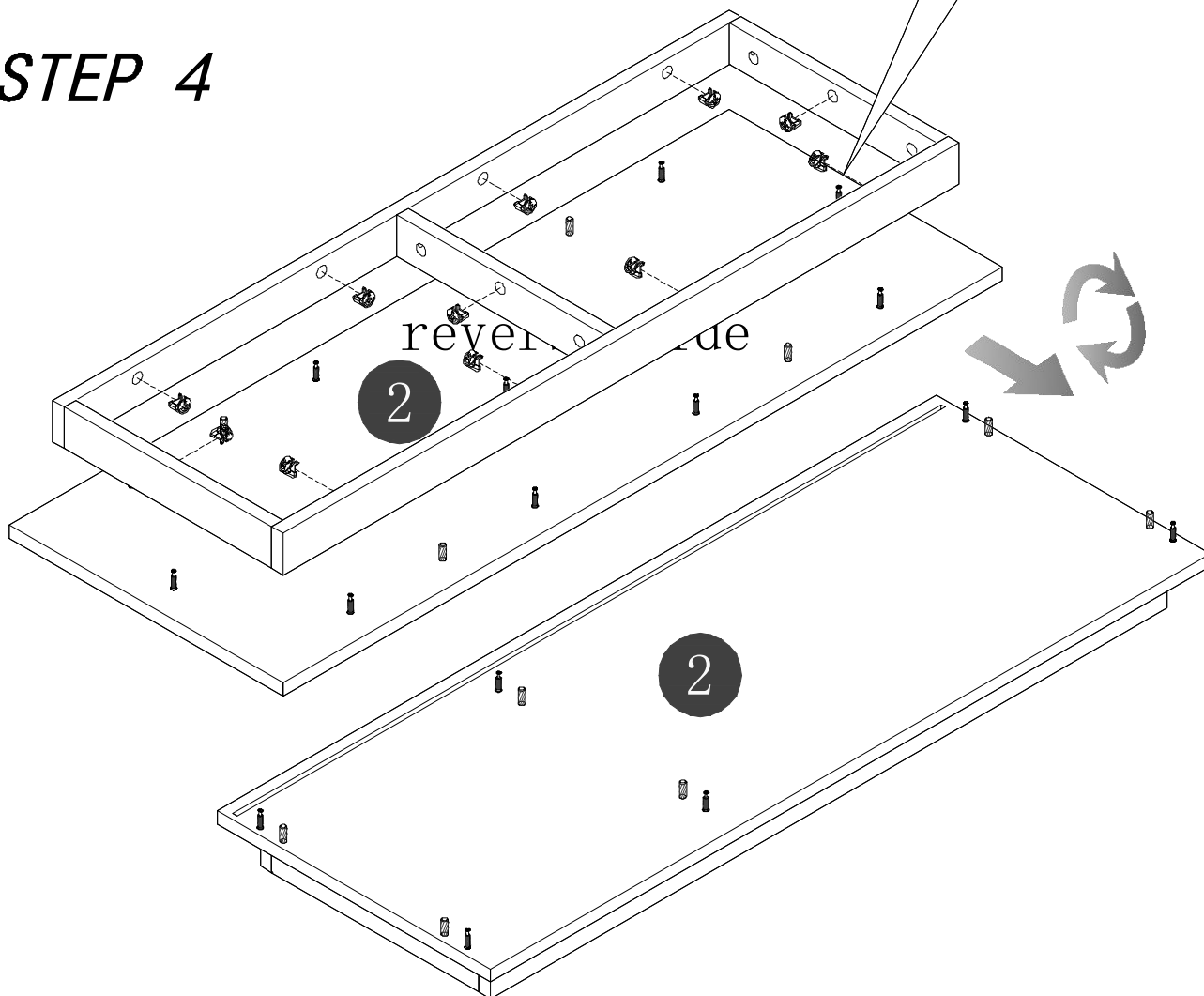
STEP 2



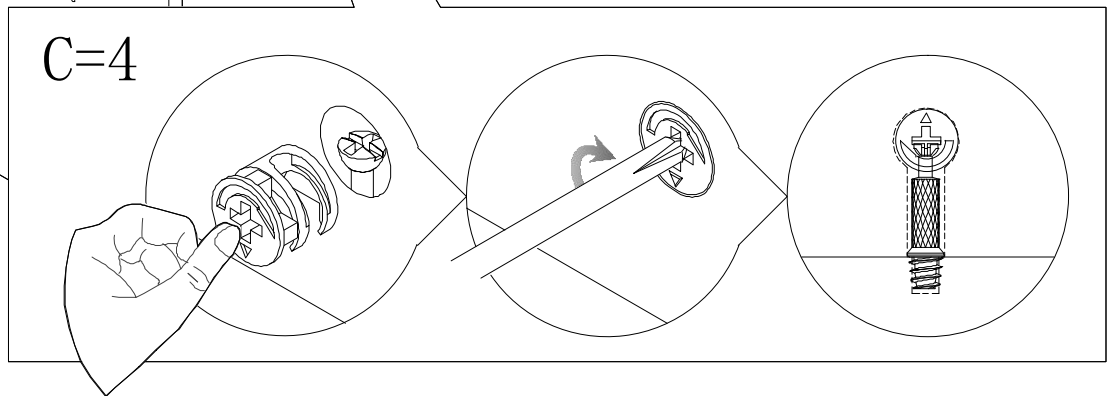
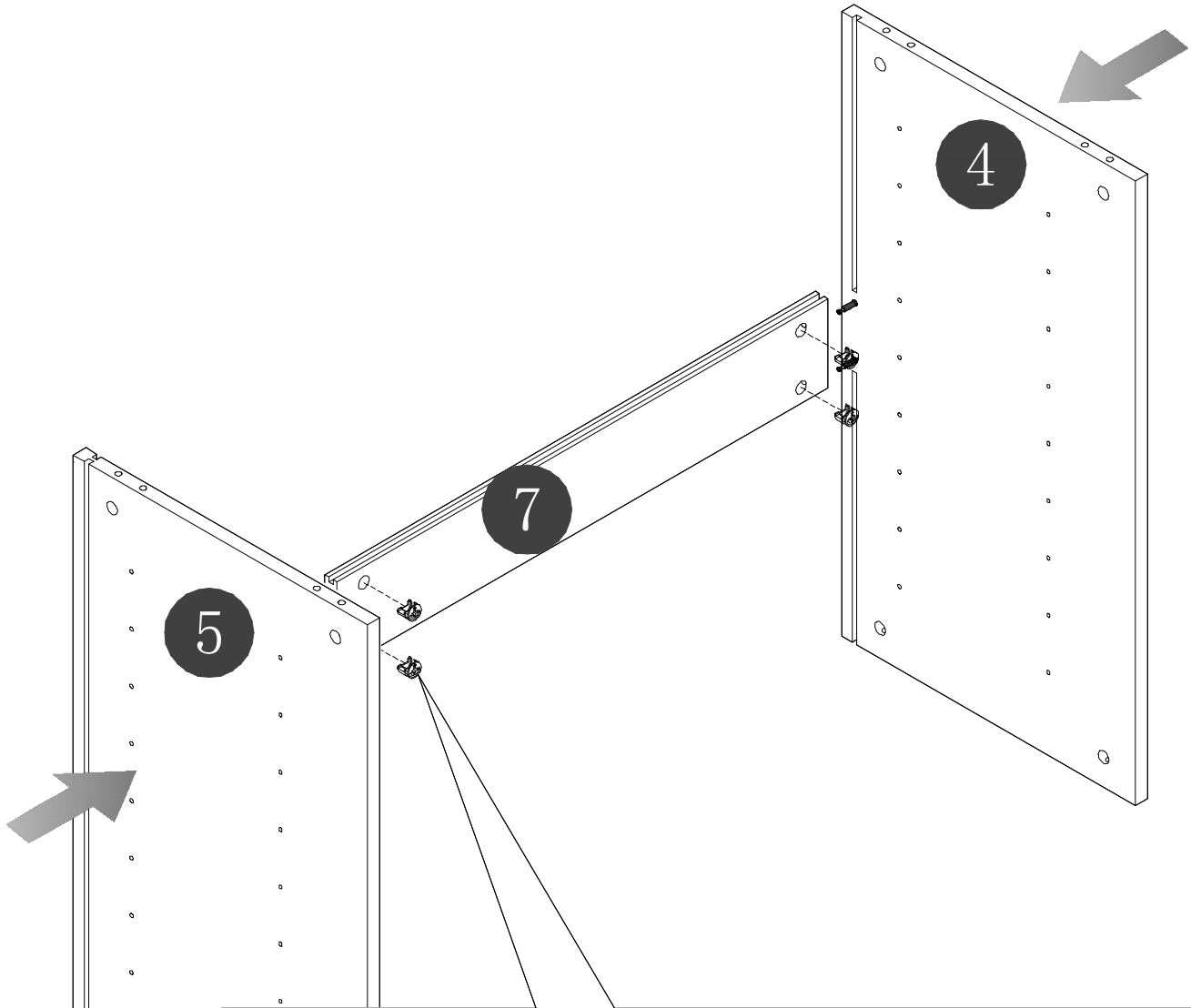
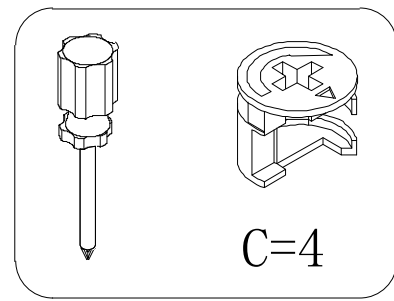
STEP 3



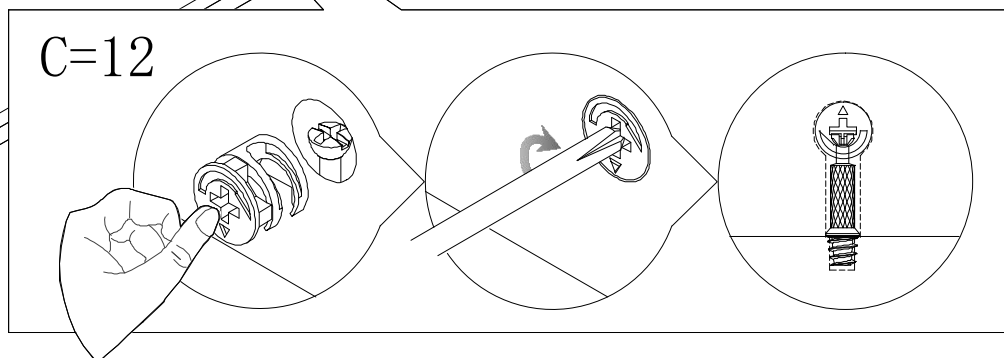
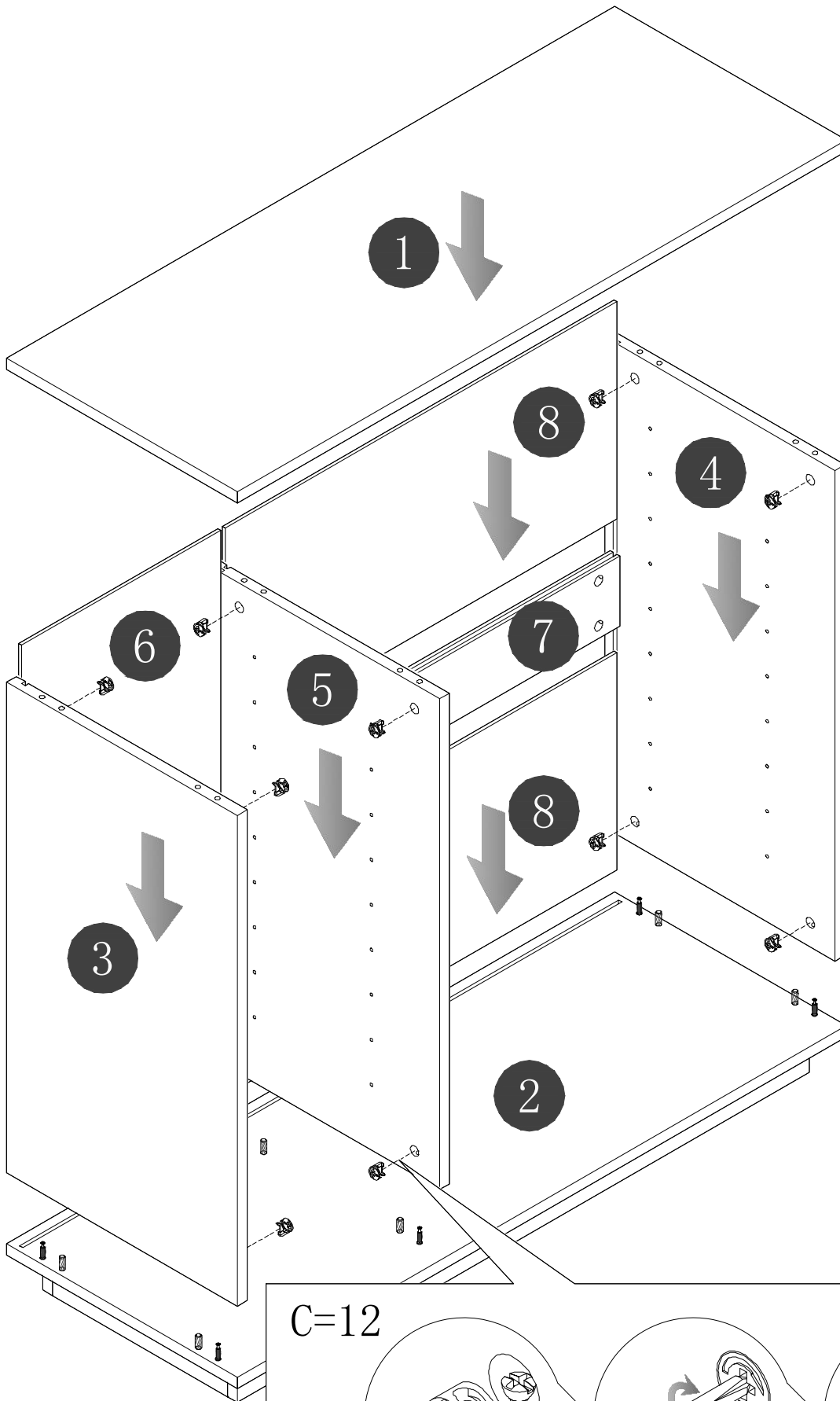
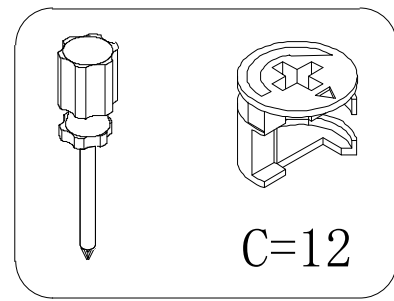
STEP 4



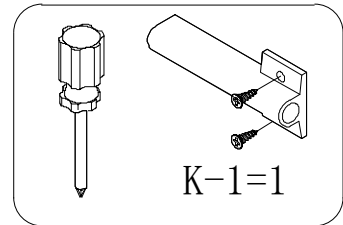
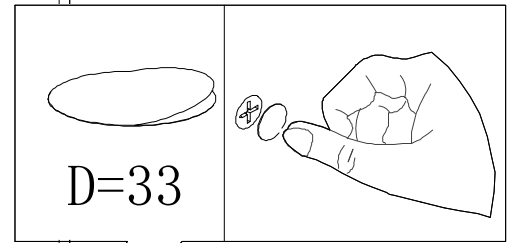
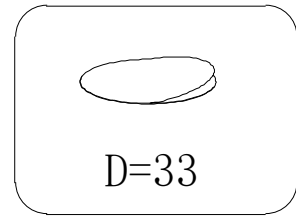
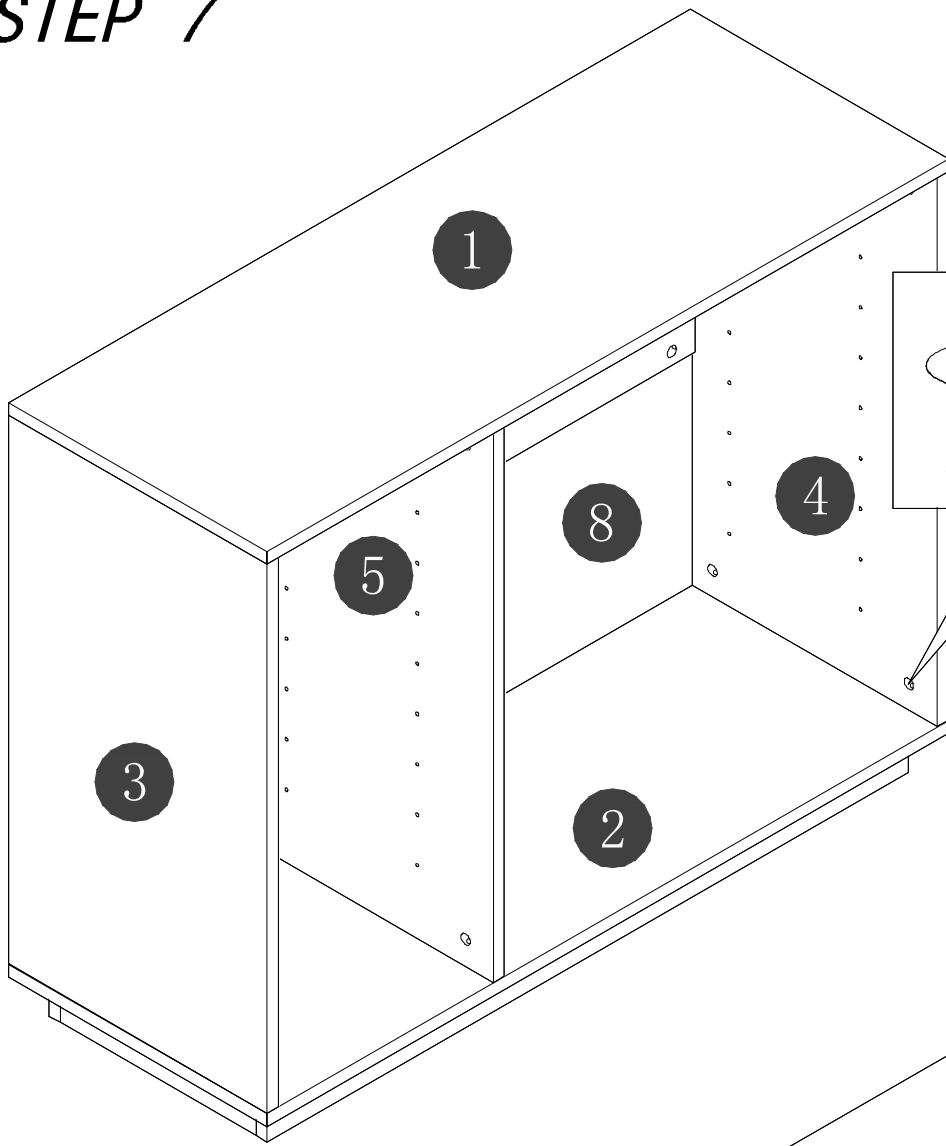
STEP 5



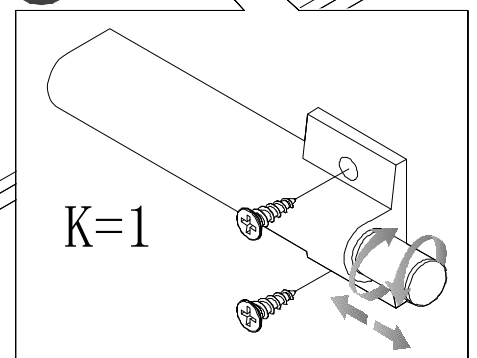
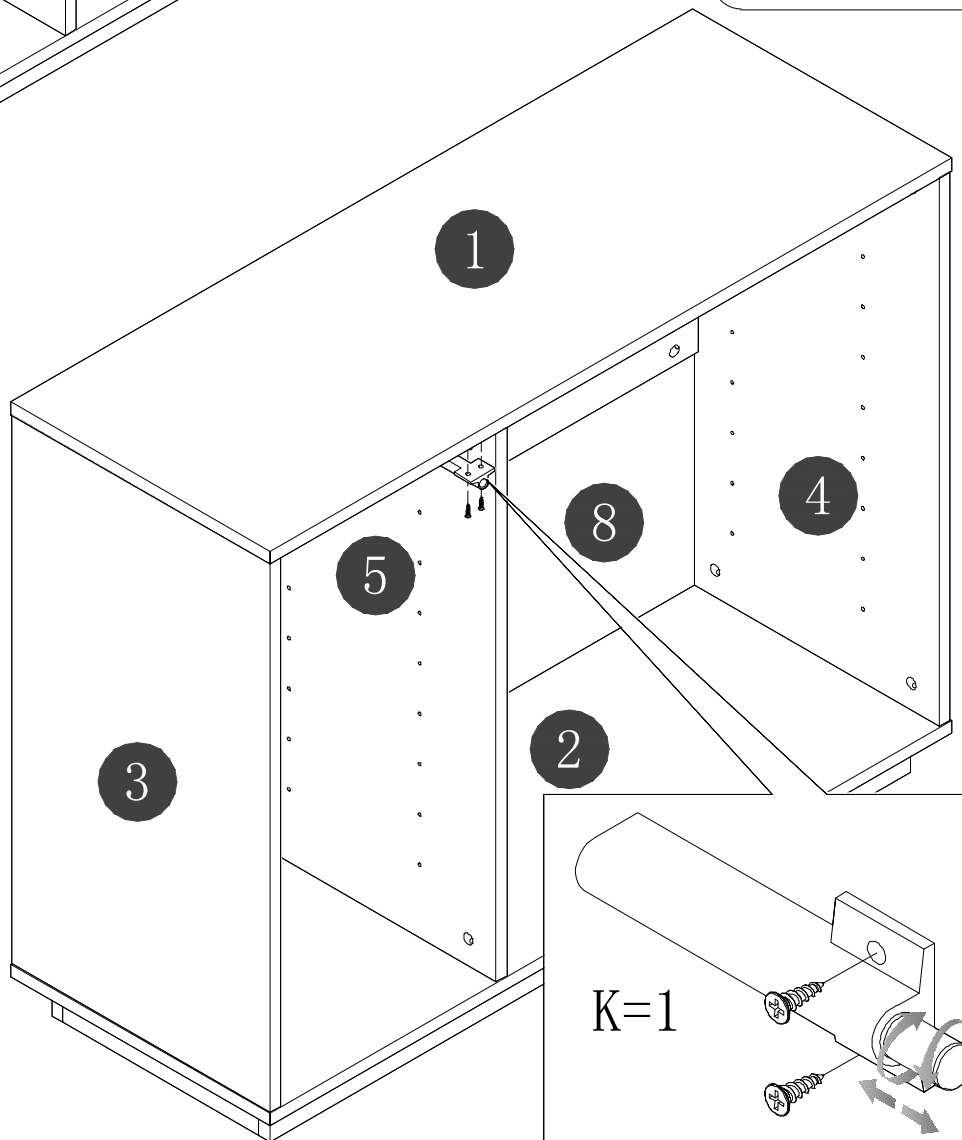
STEP 6



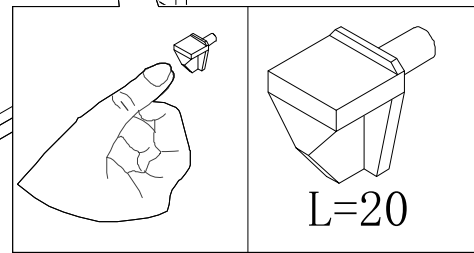
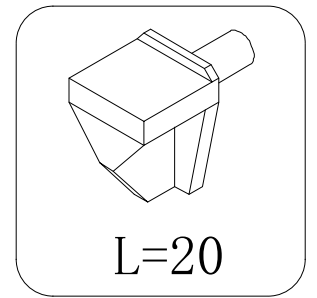
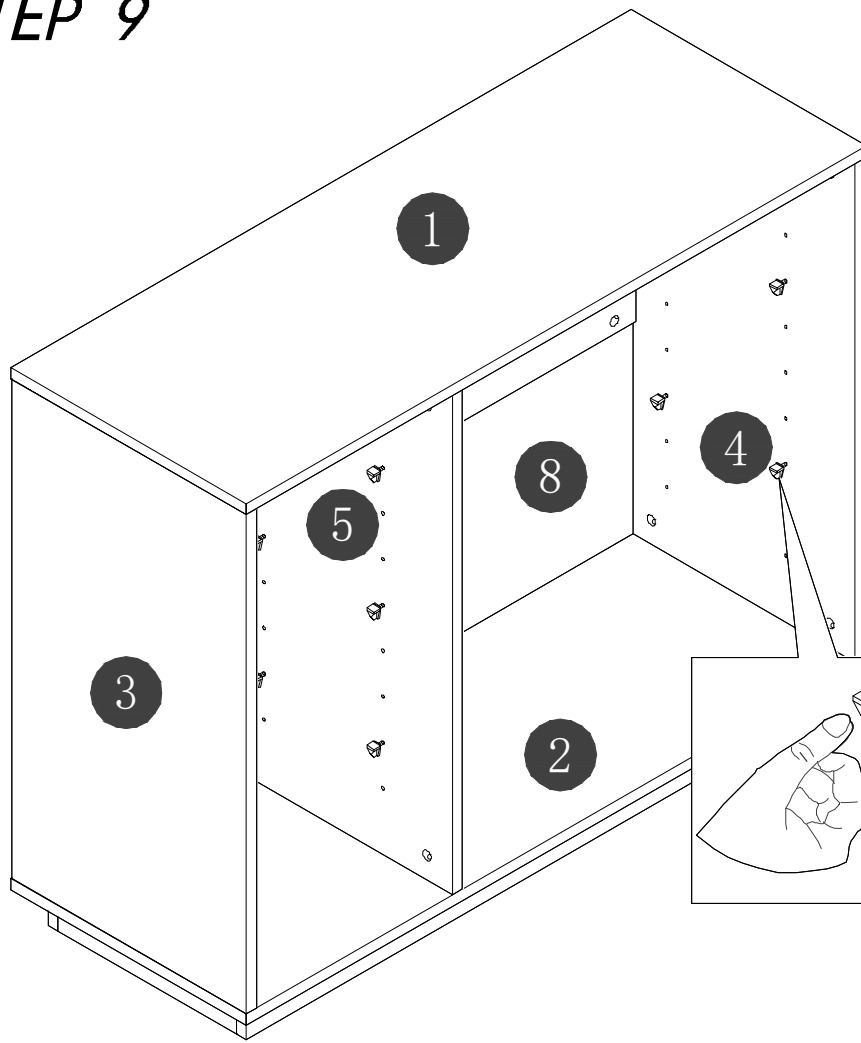
STEP 7



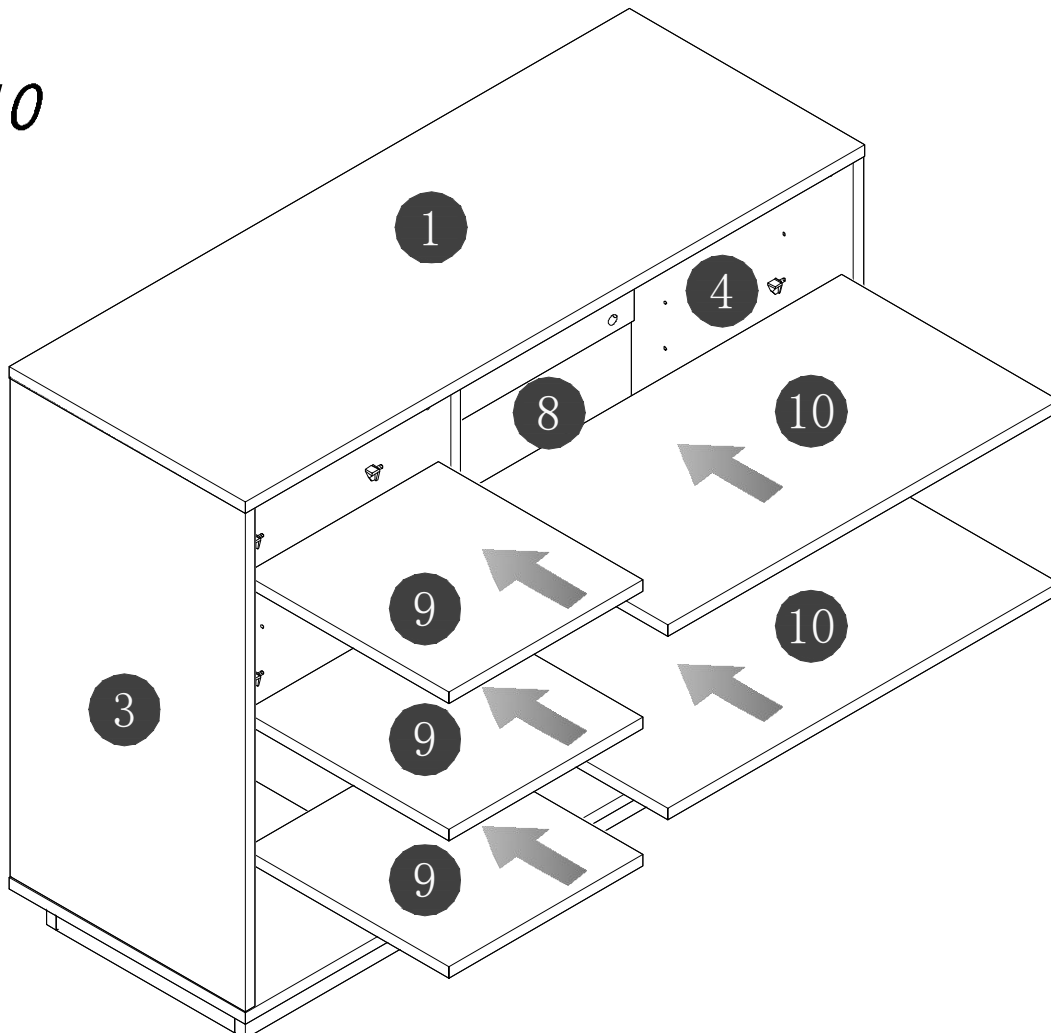
STEP 8



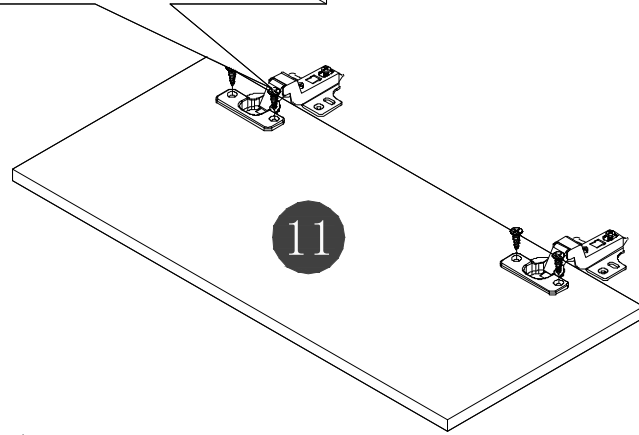
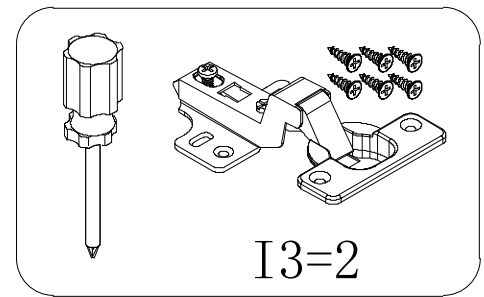
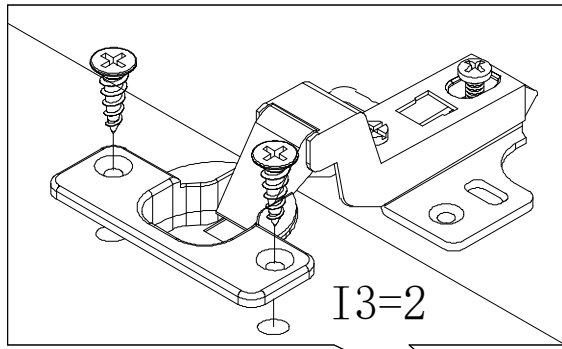
STEP 9



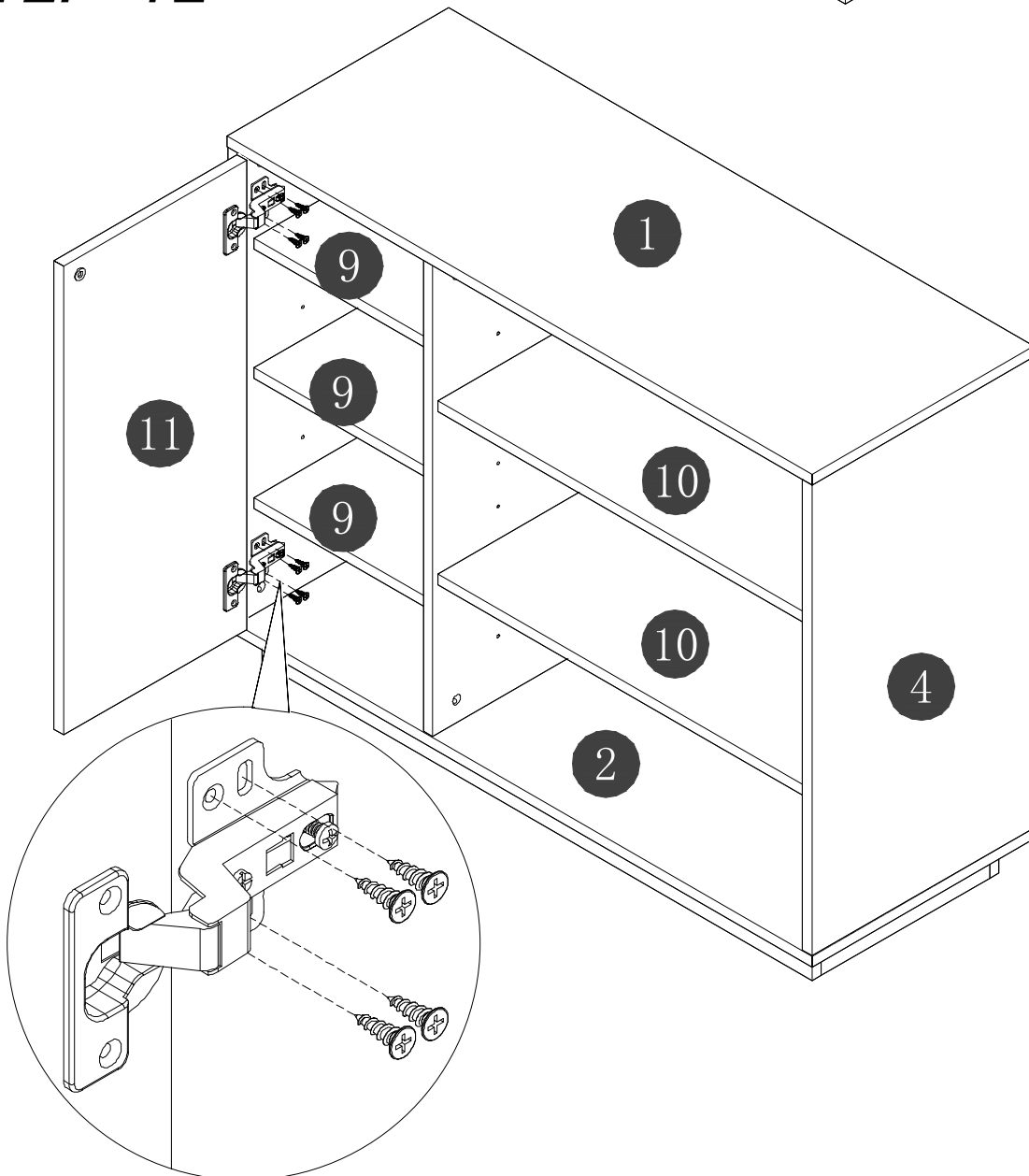
STEP 10



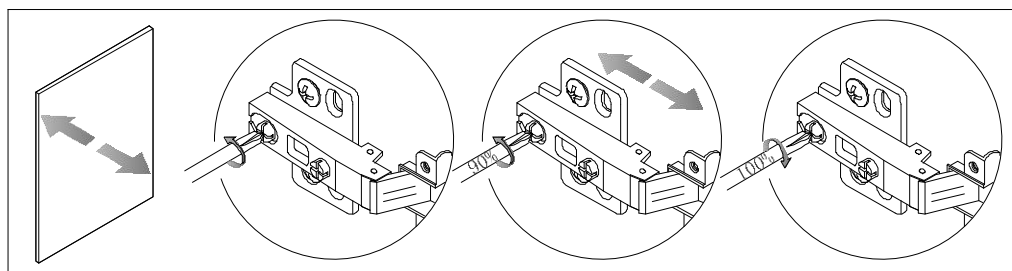
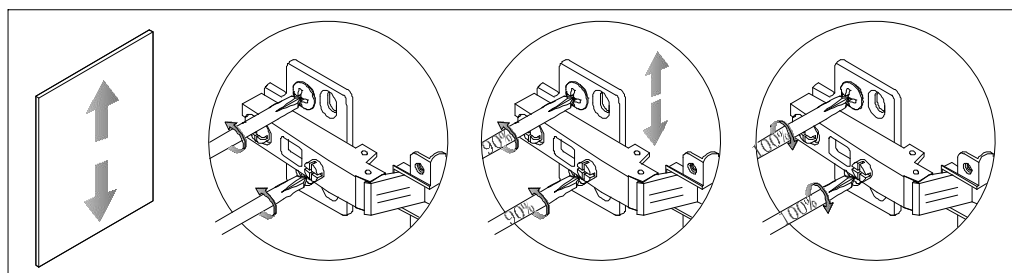
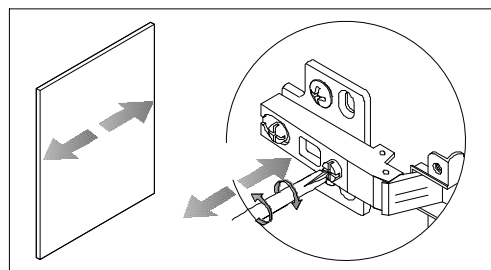
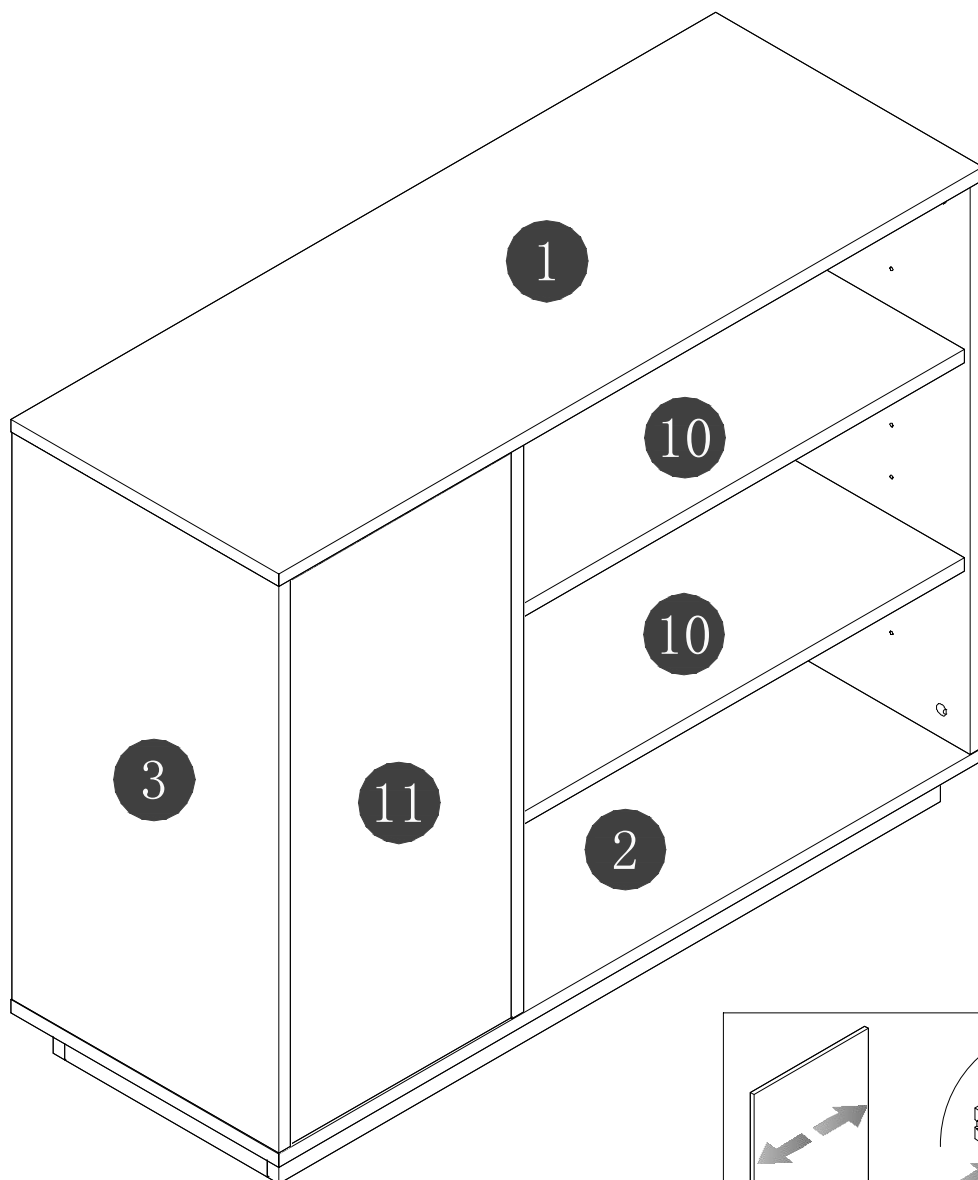
STEP 11



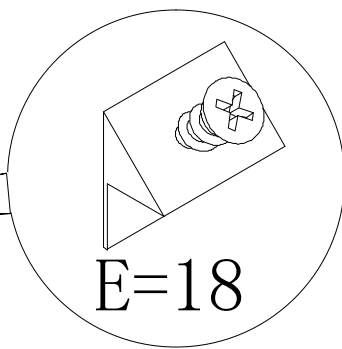
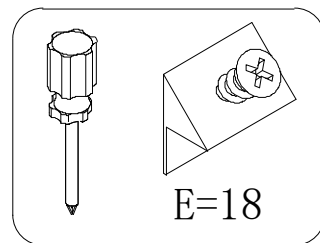
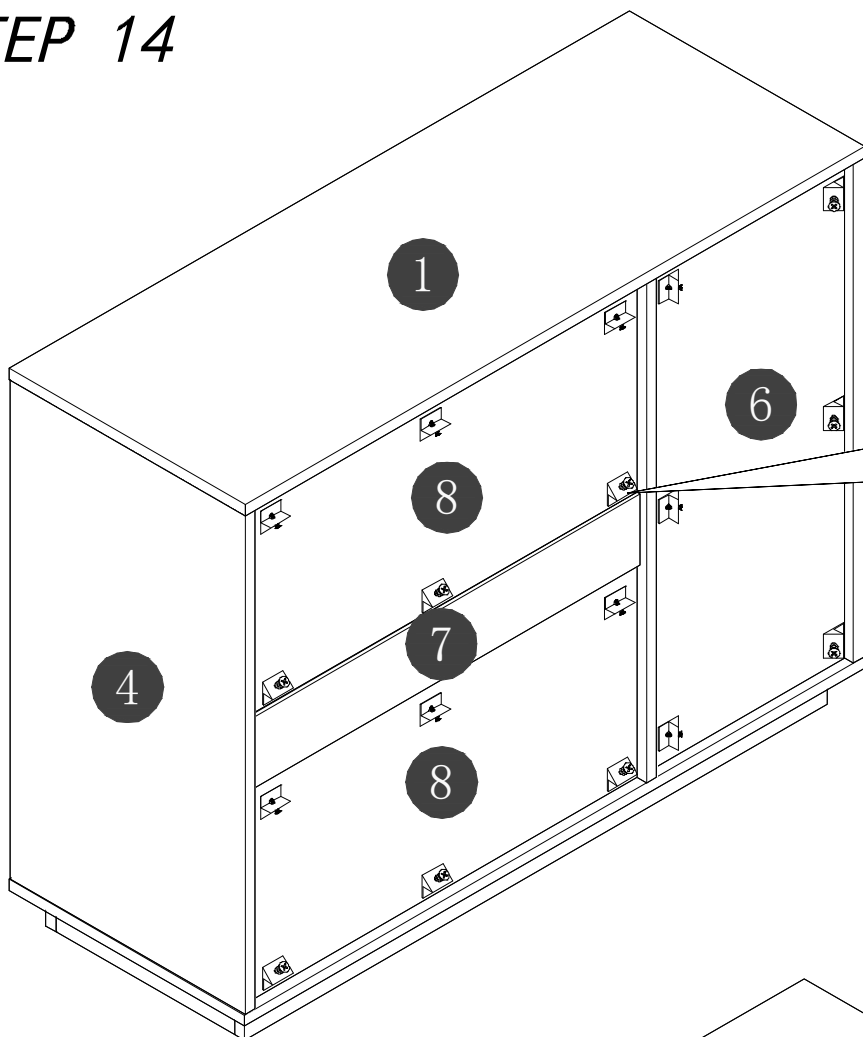
STEP 12



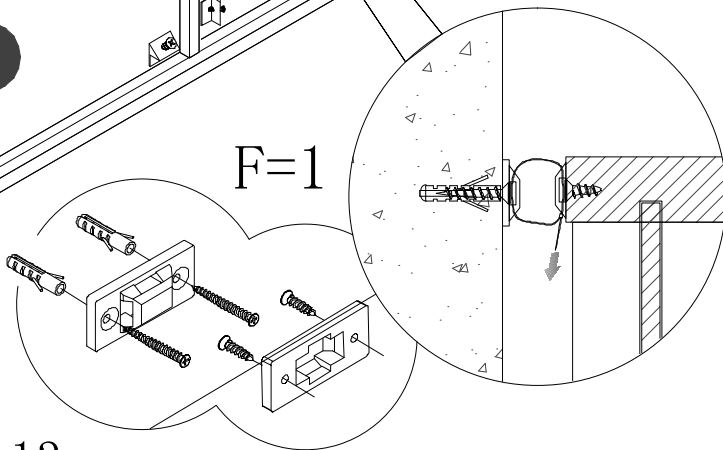
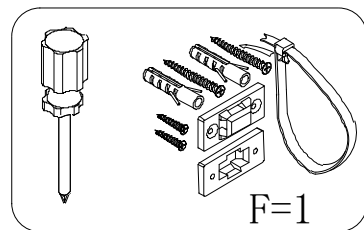
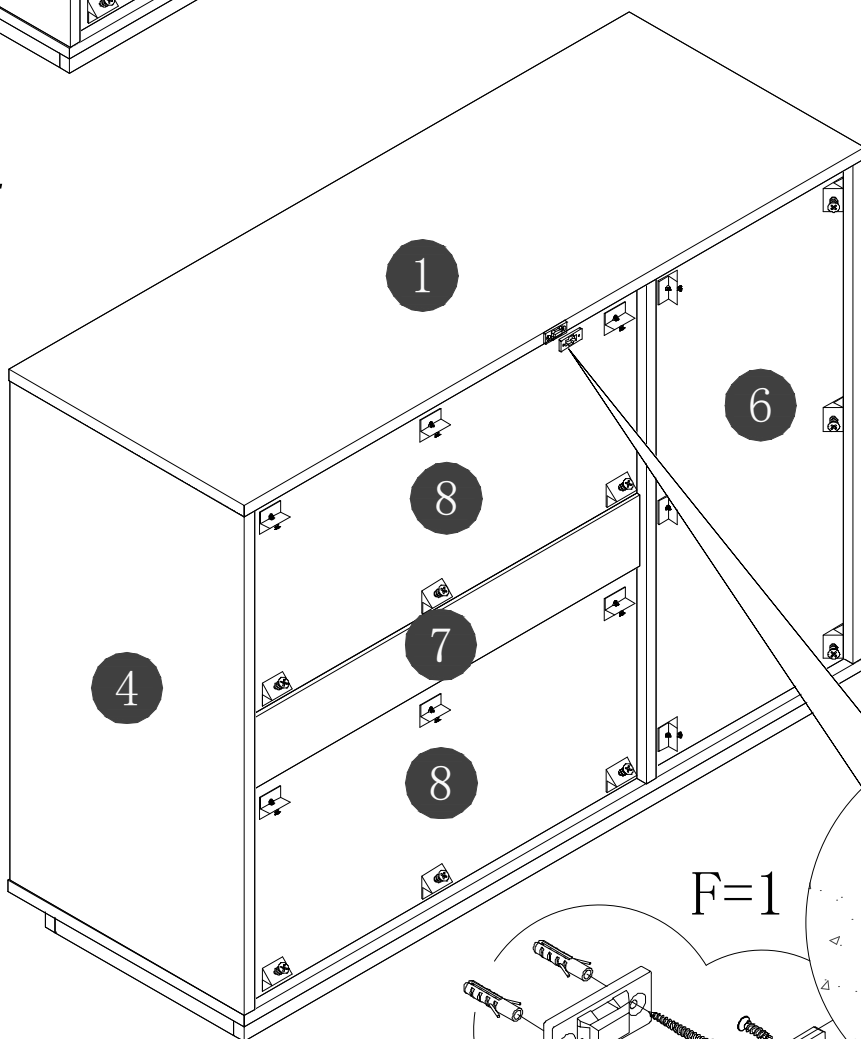
STEP 13



STEP 14



STEP 15



STEP 16

