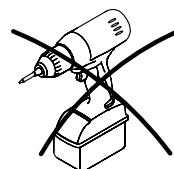
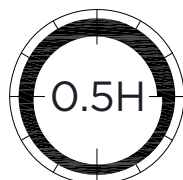
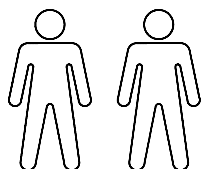
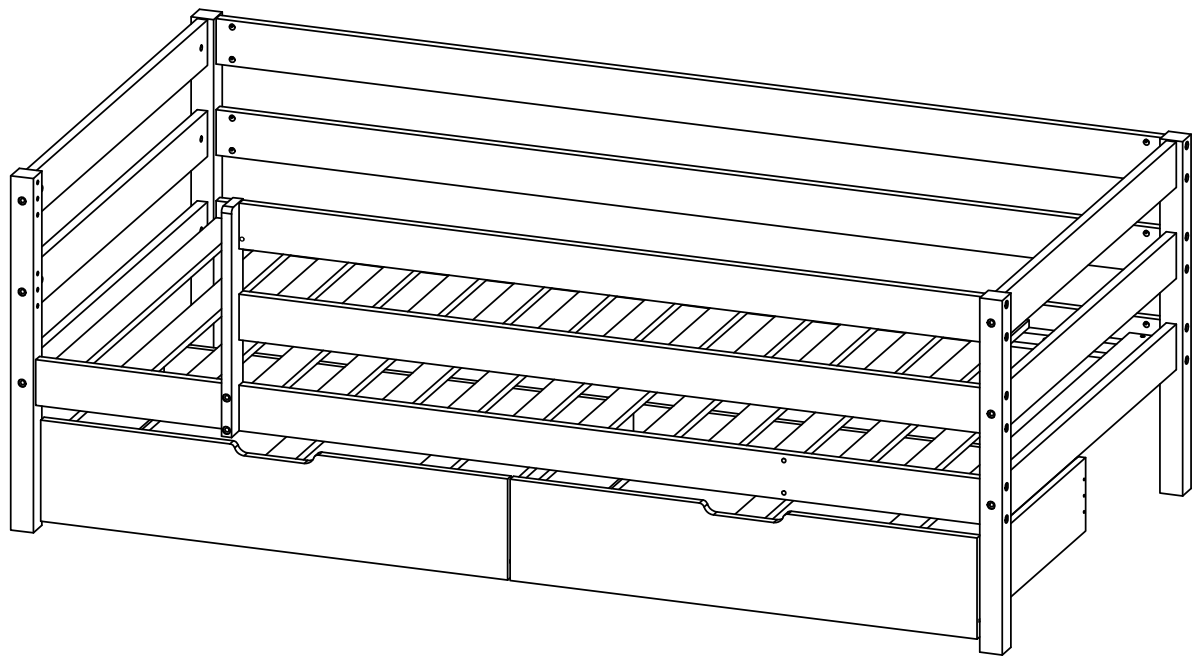


# TEMPLE & WEBSTER

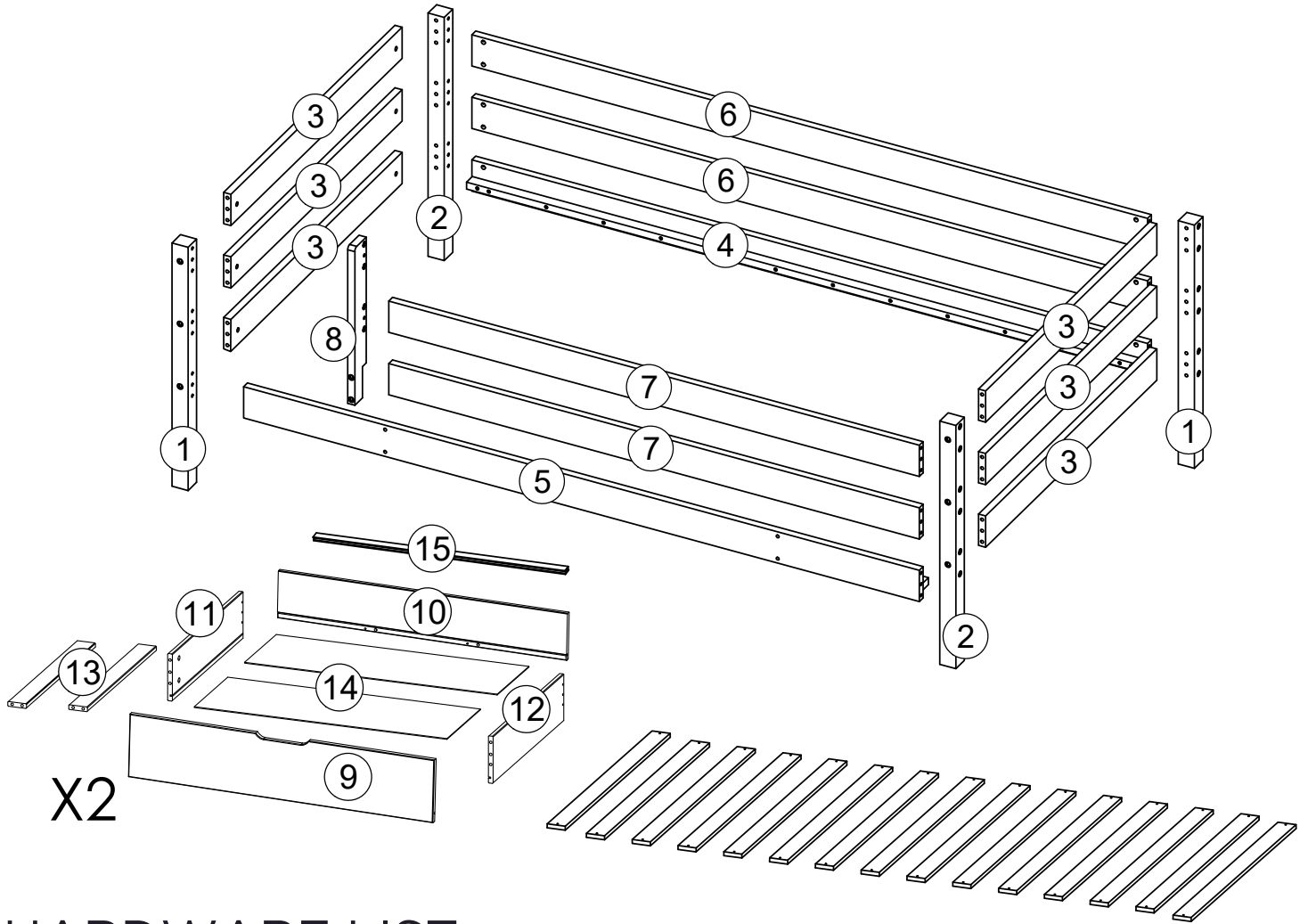
[www.templeandwebster.com.au](http://www.templeandwebster.com.au)

## ASSEMBLY INSTRUCTION

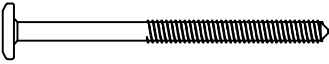



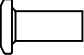

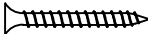

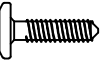

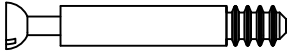

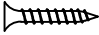


### OCFRYDB



# PART LIST

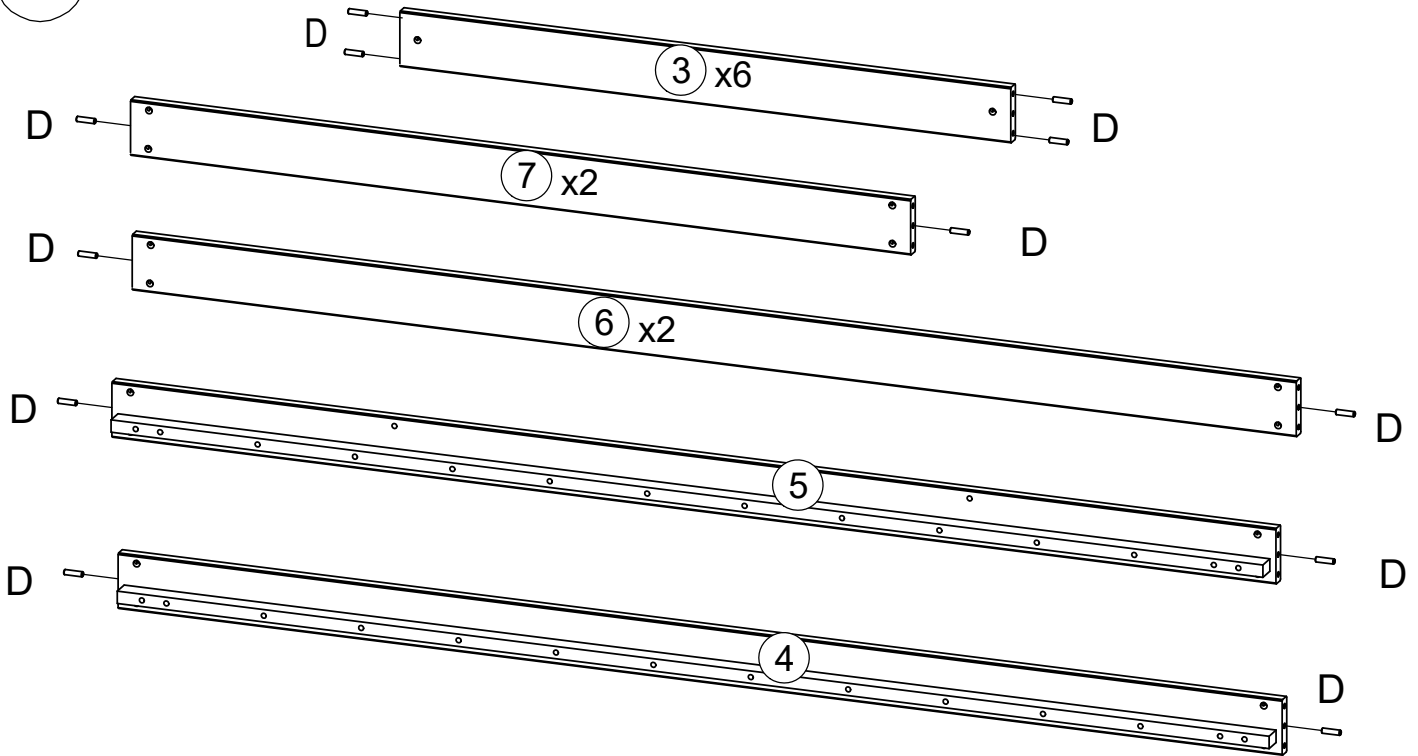


# HARDWARE LIST

<p>AX32 M6x90mm</p> 	<p>BX36</p> 	<p>CX2 M6x50mm</p> 	<p>DX36 Ø8x30mm</p> 
<p>EX8 M6x15mm</p> 	<p>FX4 M6x60mm</p> 	<p>GX42 Ø4x30mm</p> 	<p>HX2 M4</p> 
<p>JX2 M6x15mm</p> 	<p>KX4 M6x35mm</p> 	<p>LX16 M6x44mm</p> 	<p>MX16</p> 
<p>NX16 Ø3.5x16mm</p> 	<p>OX8</p> 	<p>PX4</p> 	

# ASSEMBLY

1

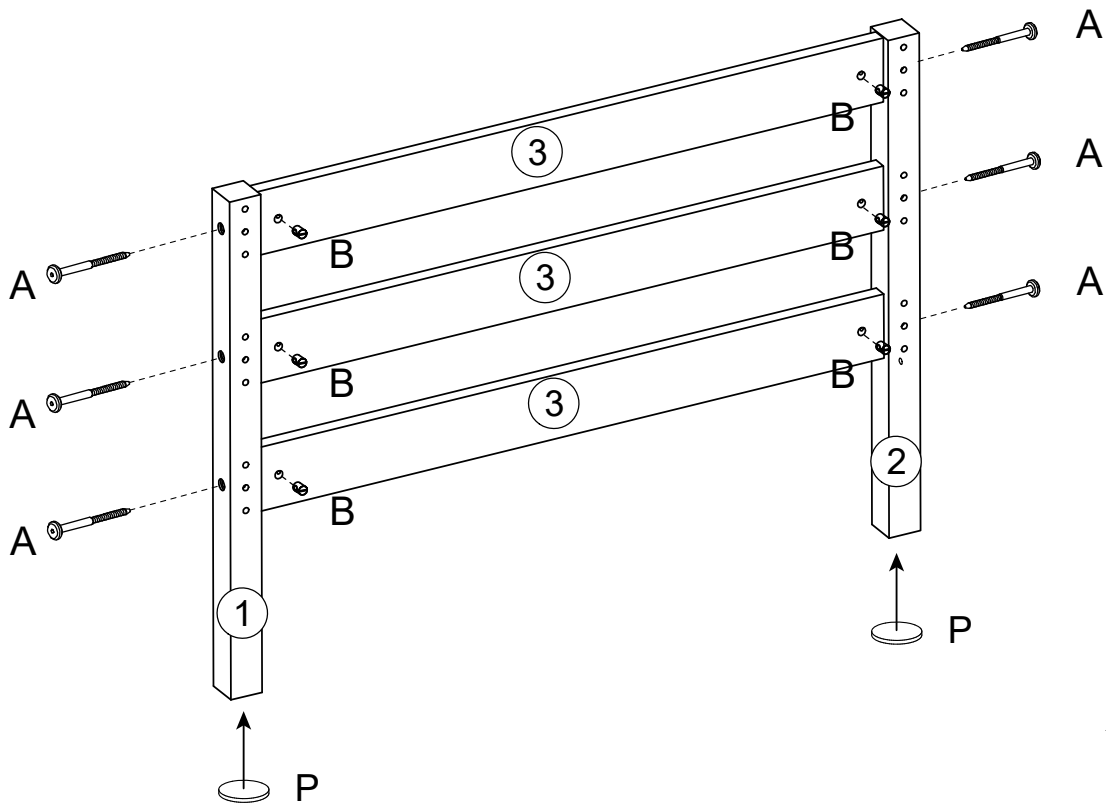


Φ8x30mm



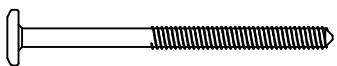
DX36

2



X2

M6x90mm

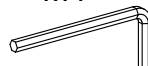


AX12



BX12

M4

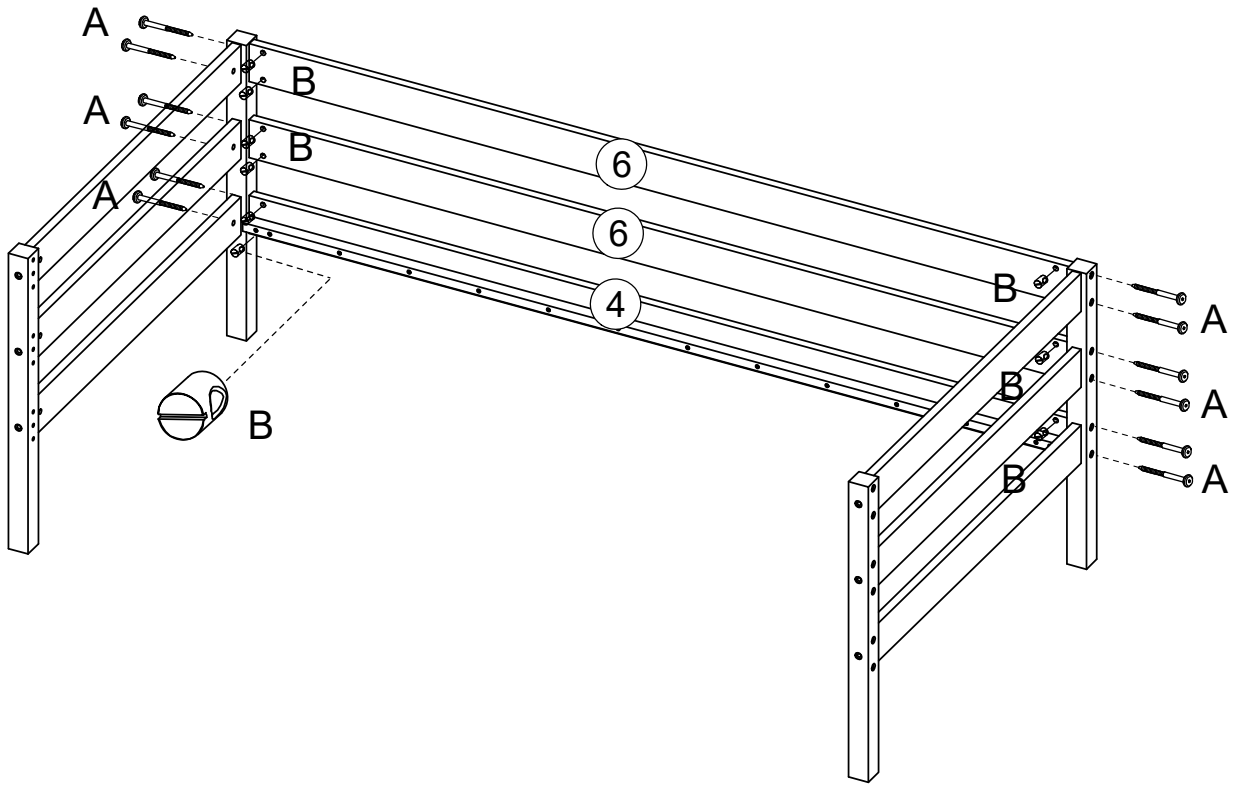


HX1

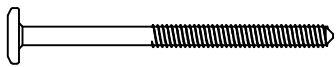


PX4

3



M6x90mm

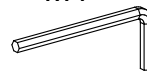


AX12



BX12

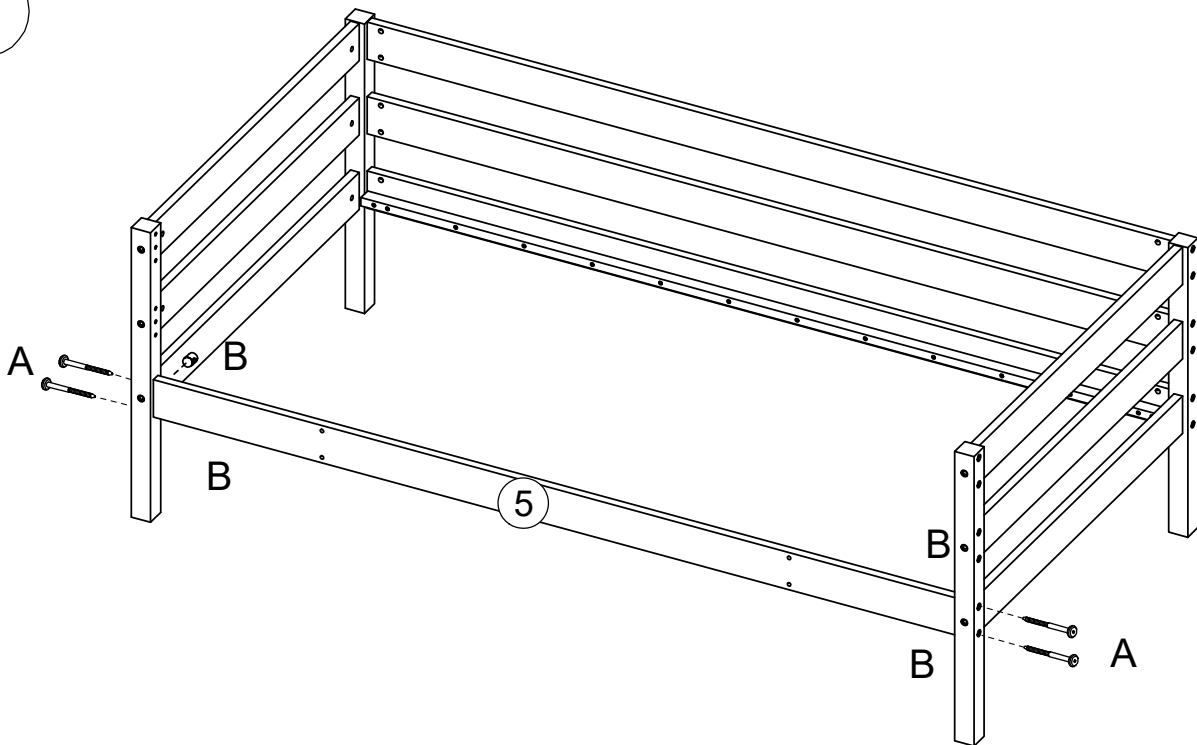
M4



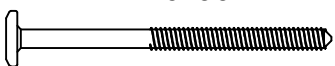
HX1

4

10



M6x90mm

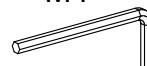


AX4



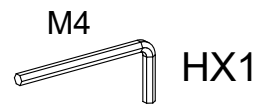
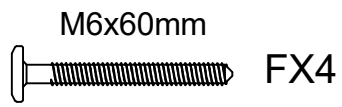
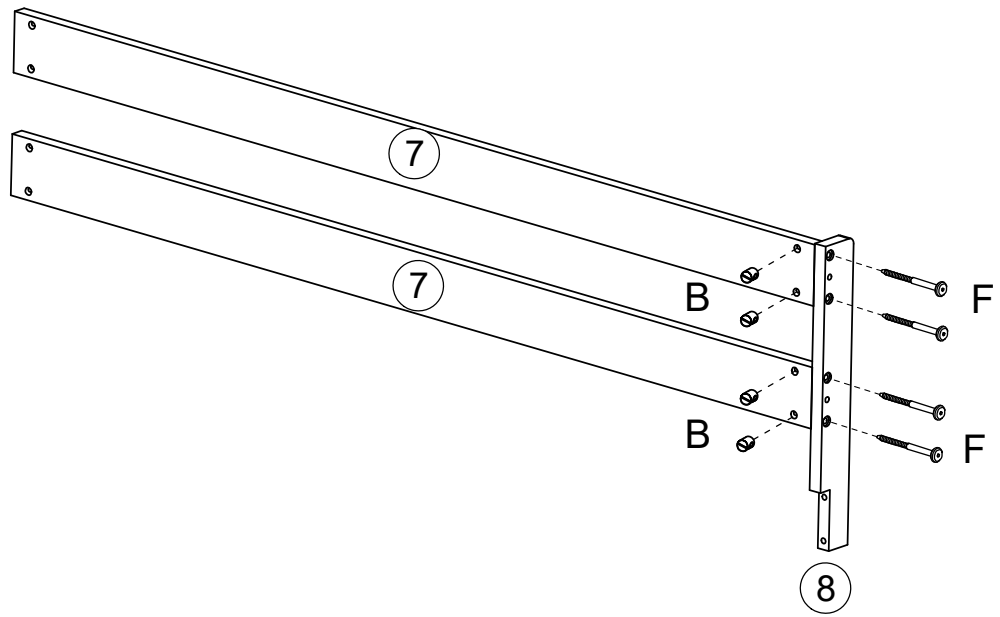
BX4

M4

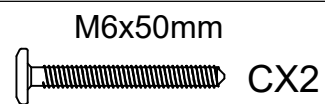
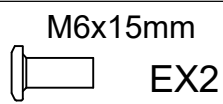
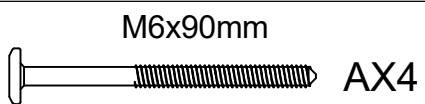
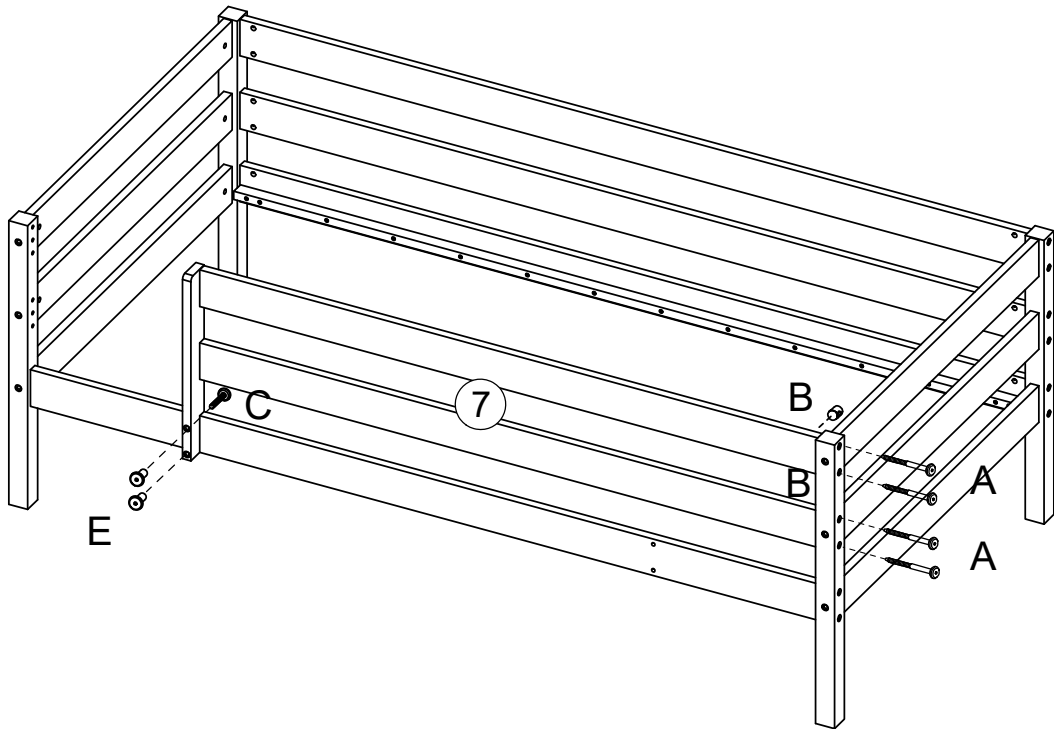


HX1

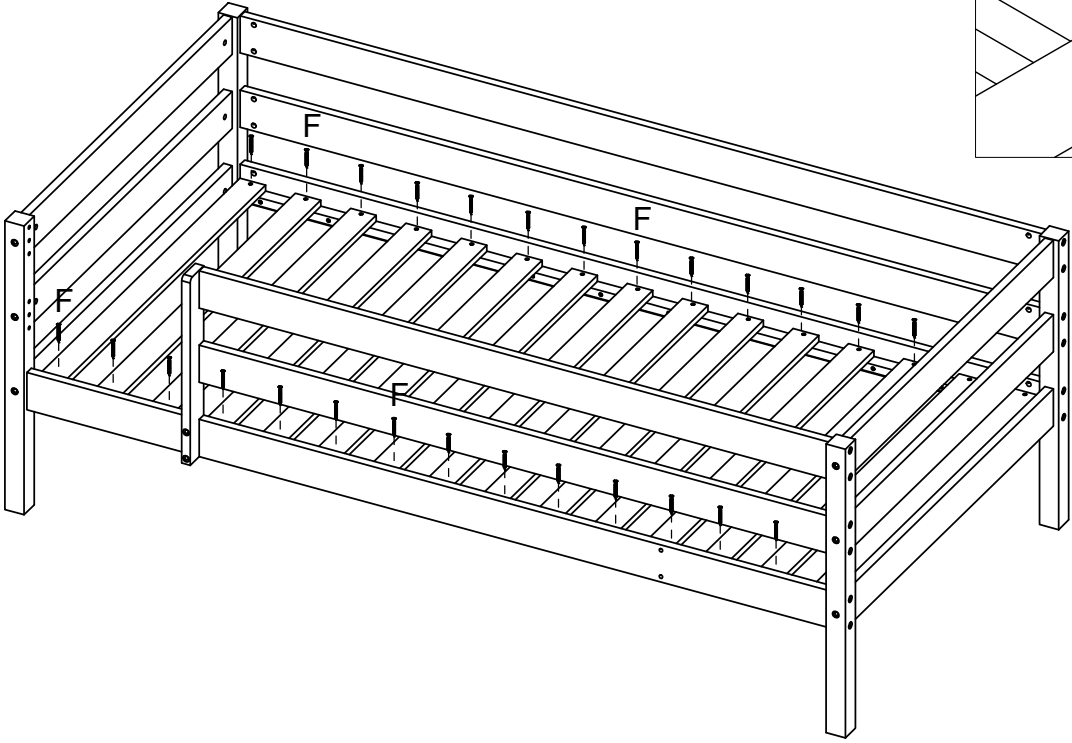
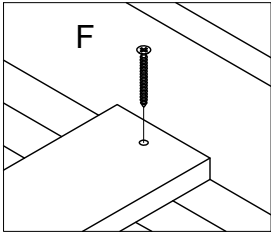
5



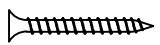
6



7

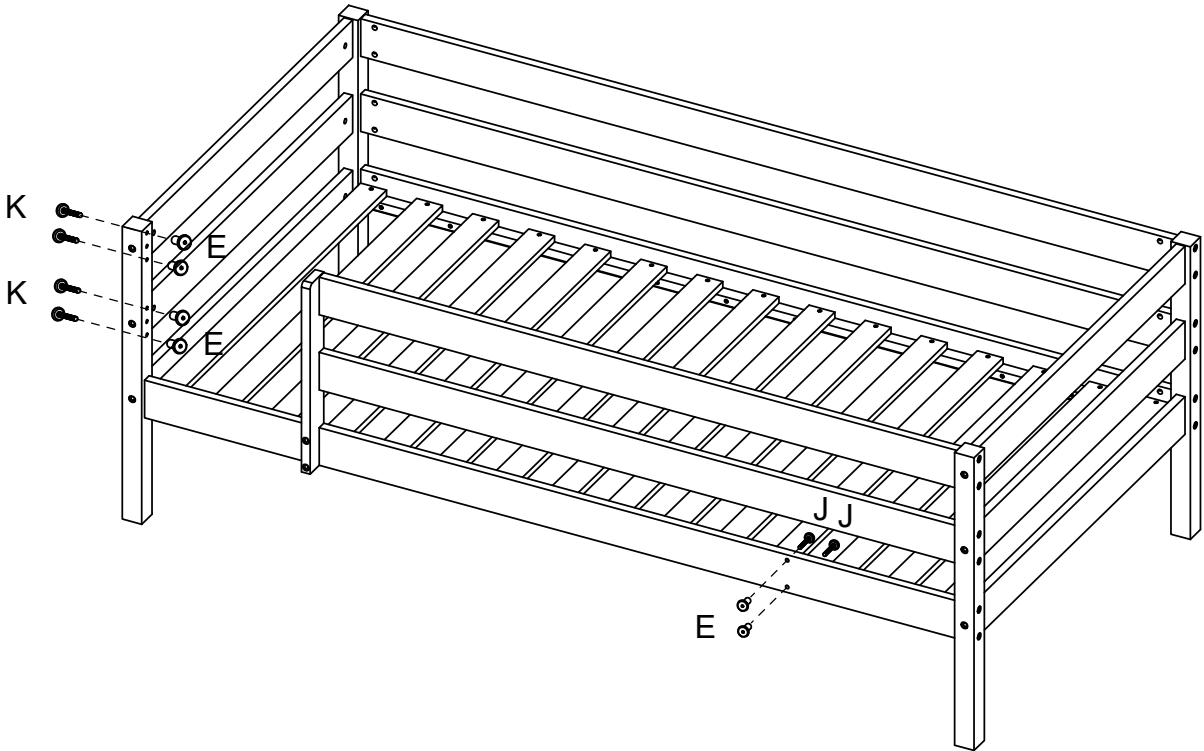


Ø4x30mm



FX30

8

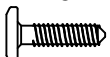


M6x15mm



EX6

M6x15mm



JX2

M6x35mm



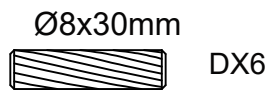
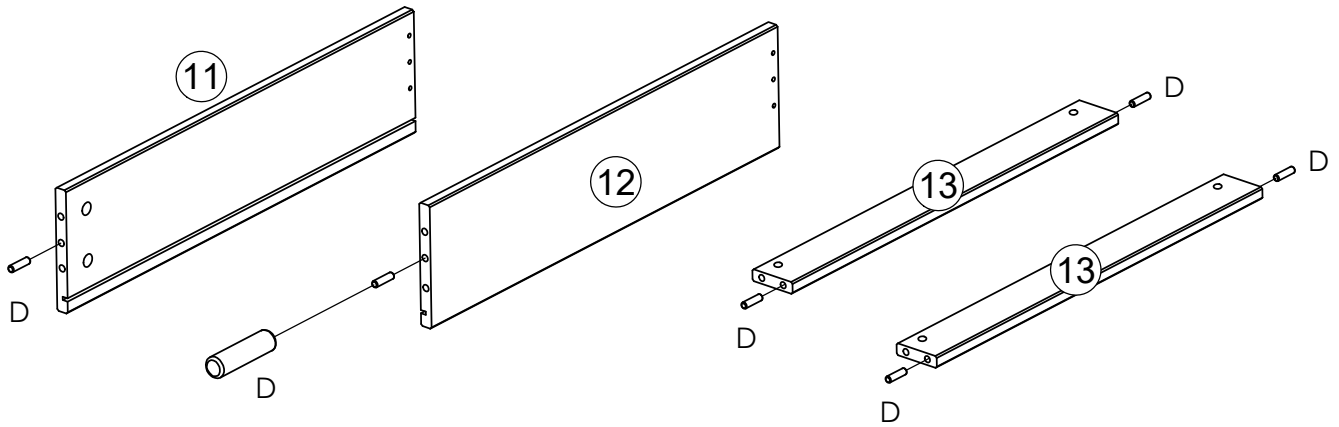
KX4

M4

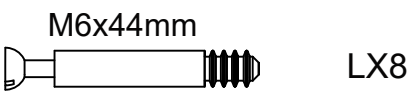
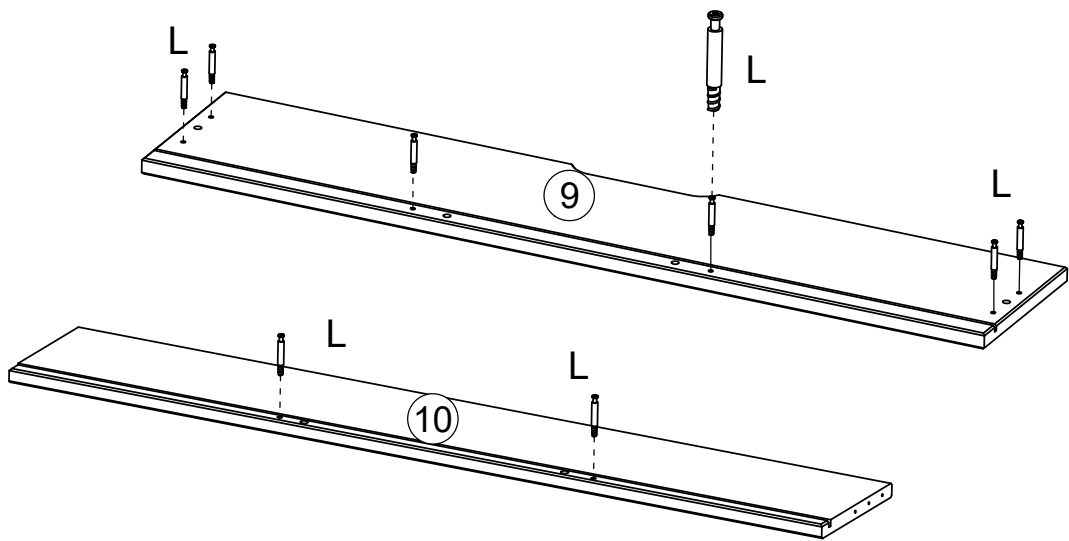


HX2

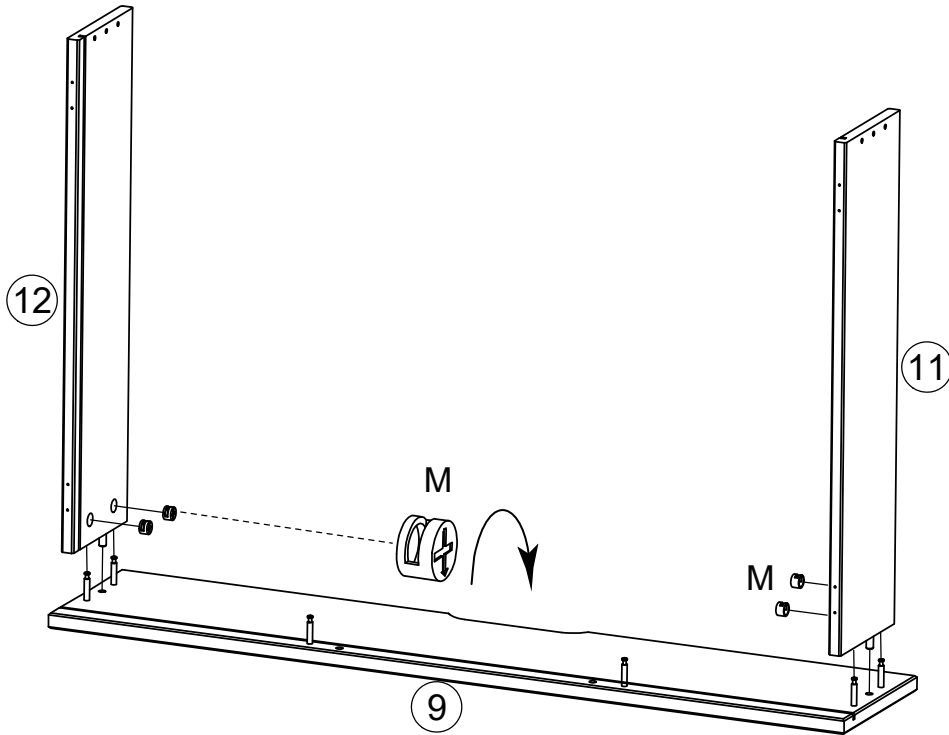
9



10

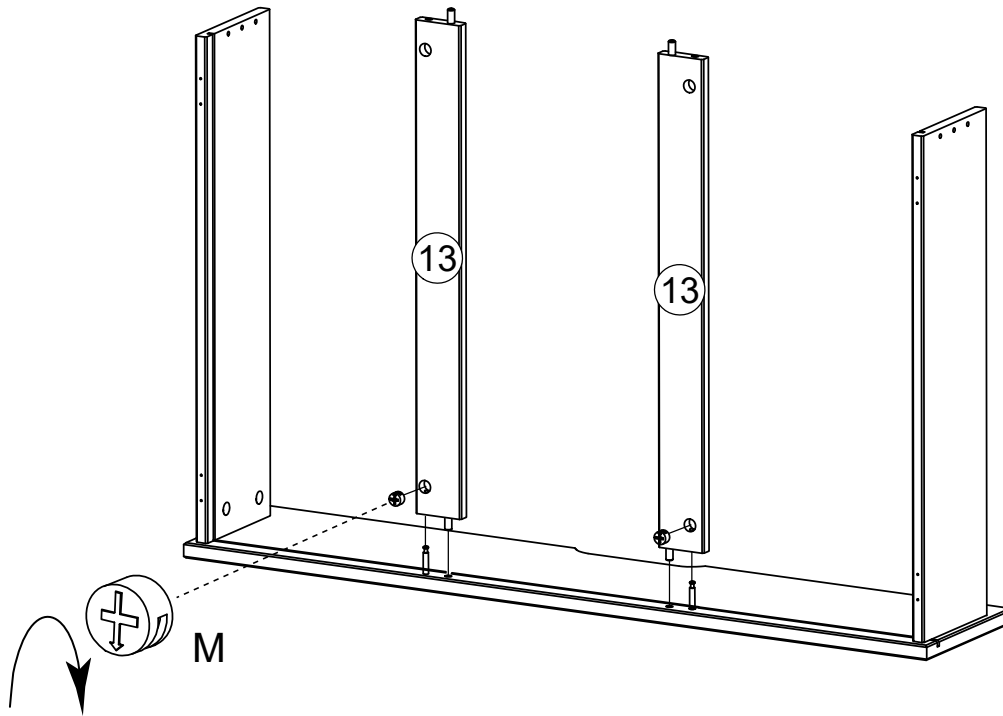


11



MX4

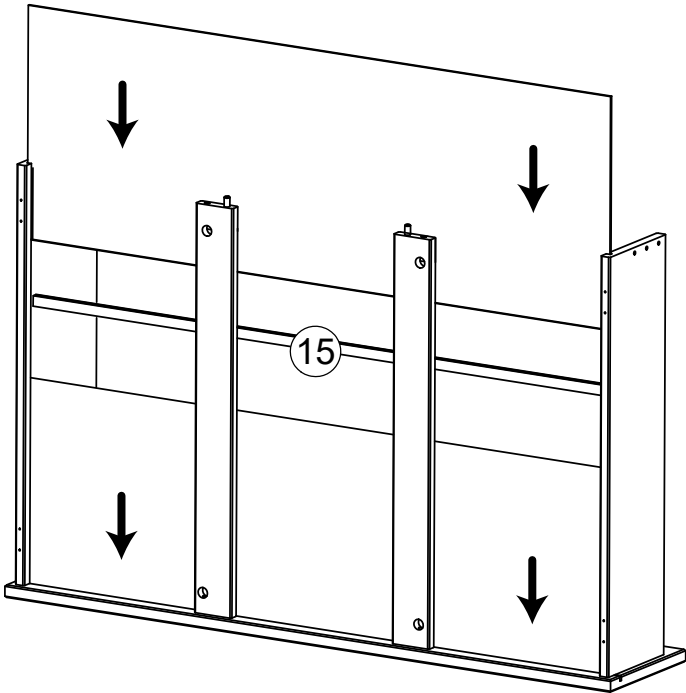
12



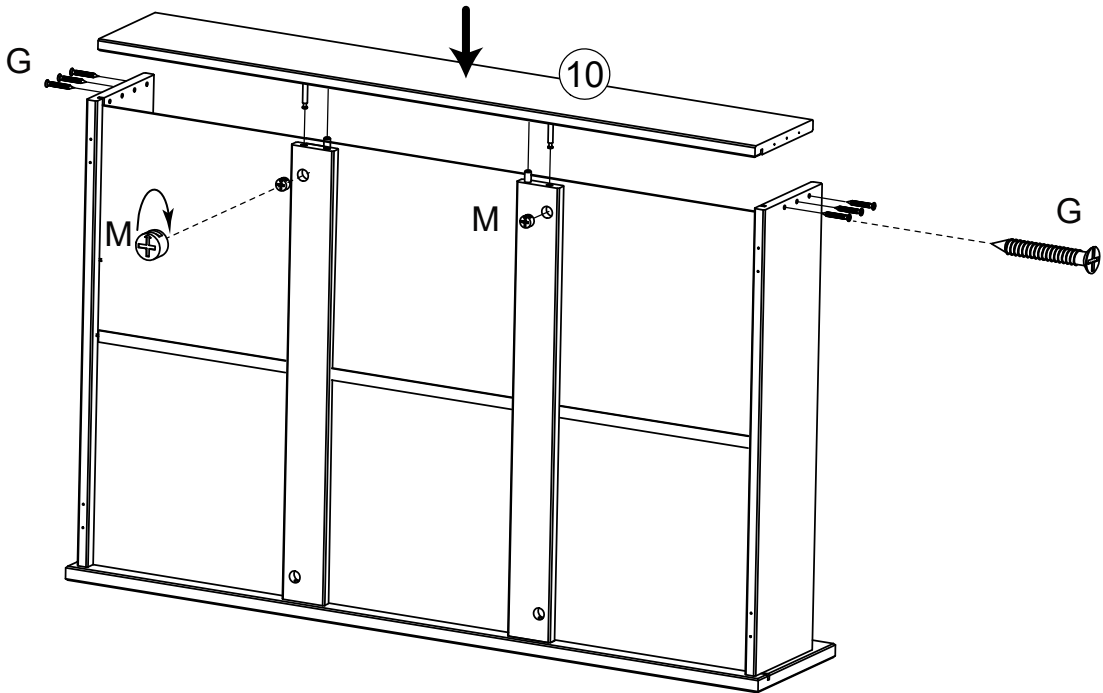
MX2



13

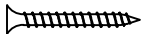


14



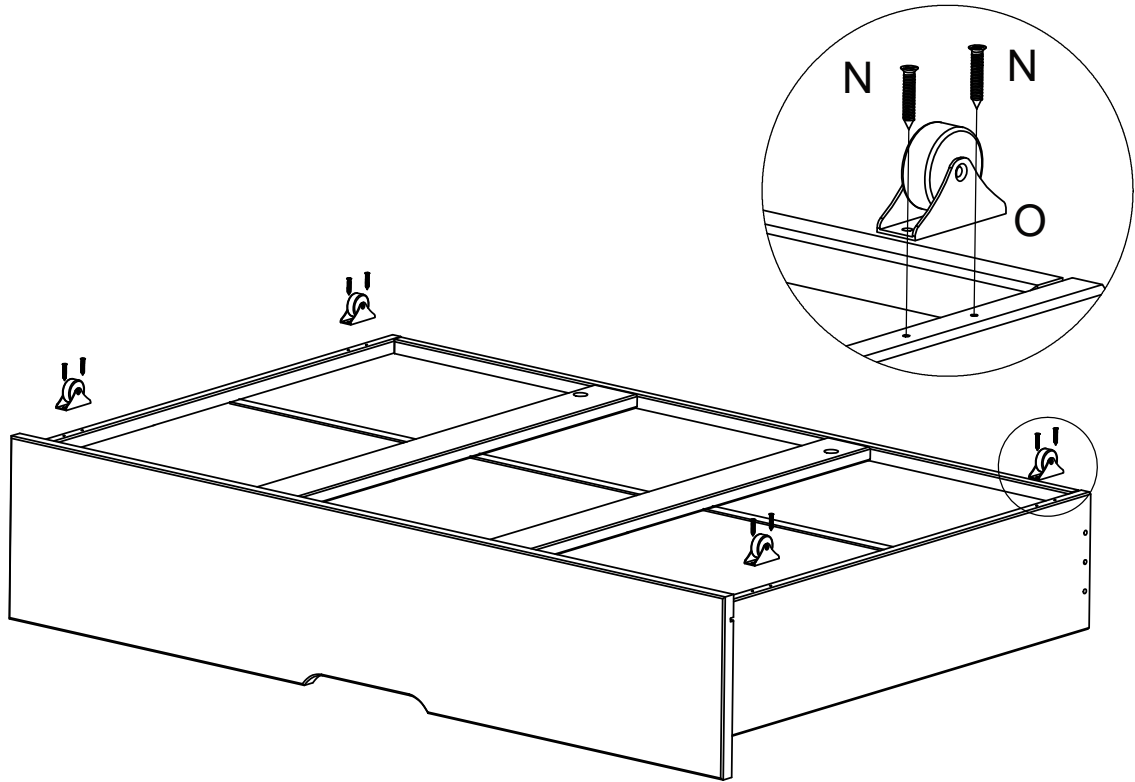
MX2

Ø4x30mm

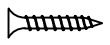


GX6

15



Ø3.5x16mm



NX8



OX4

16

