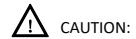


TEMPLE & WEBSTER

ASSEMBLY INSTRUCTIONS AAPAQBCR

Read these instructions and follow steps carefully to ensure you assemble the product correctly and avoid damages. Check that all parts and hardware have been provided before assembling the product. Place all contents on a clean, soft-flat surface to avoid scratching the product



CAUTION:

Only tighten bolts to 80% at first. Once all parts have been assembled fully tighten all hardware

To prevent damage to threads, do not use a power tool and do not overtighten bolts.

Use two people to lift and turn the product when assembling.

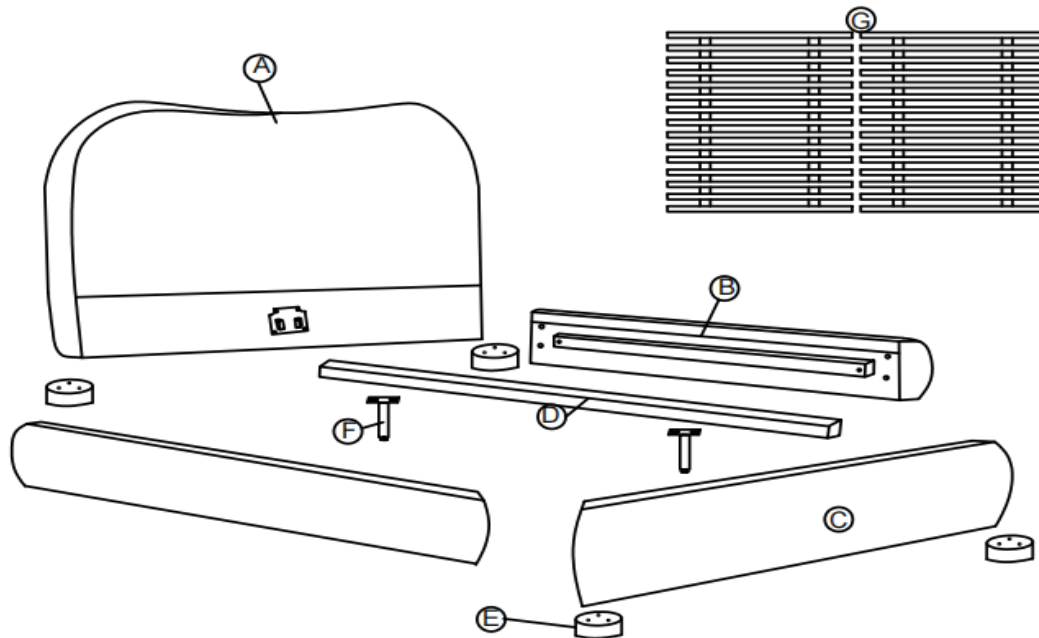
Do not attempt with only one person and do not roll on to legs.

Keep all hardware and small parts away from children.



PART LIST		
ITEM	DESCRIPTION	QTY
(A)	HEADBOARD	1PC
(B)	SIDE RAIL	2PCS
(C)	FOOTBOARD	1PC
(D)	CENTRE RAIL	1PC
(E)	BED LEG	4PCS
(F)	SUPPORT LEGS	2PCS
(G)	SLATS	2PCS

HARDWARE LIST			
ITEM	DESCRIPTION		QTY
(1)	JCBC SCREW M8*30MM		16PCS
(2)	FELT		4PCS
(3)	PAN HEAD WOOD SCREW M5*50MM		10PCS
(4)	JCBC SCREW M6*20MM		4PCS
(5)	BRACKET		4PCS
(6)	PAN HEAD WOOD SCREW M4*16MM		4PCS
(7)	PAN HEAD WOOD SCREW M4*30MM		12PCS
(8)	POTHOOK		2PCS
(9)	JCBC SCREW M6*15MM		2PCS
(10)	M5 ALLEN KEY (BALL SHAPE) LONG		1PC

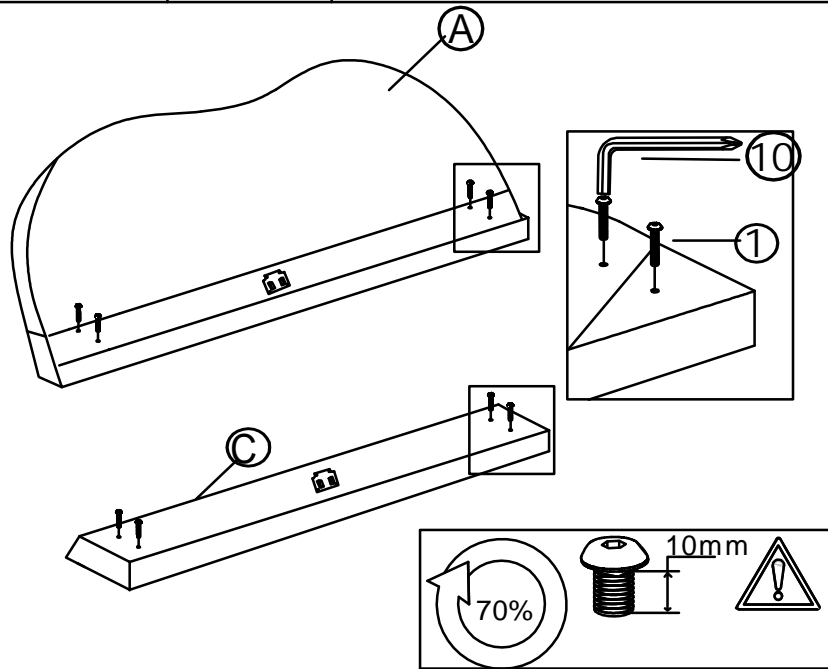


STEP 1:

① X8



⑩ X1

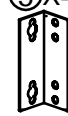


STEP 2:

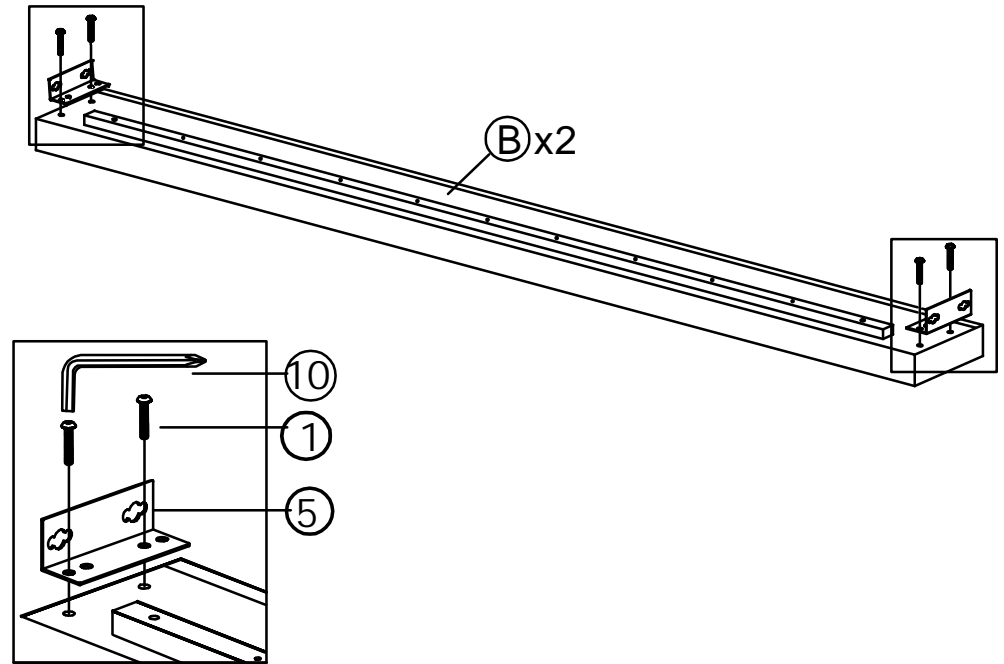
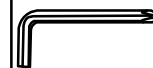
① X8



⑤ X4

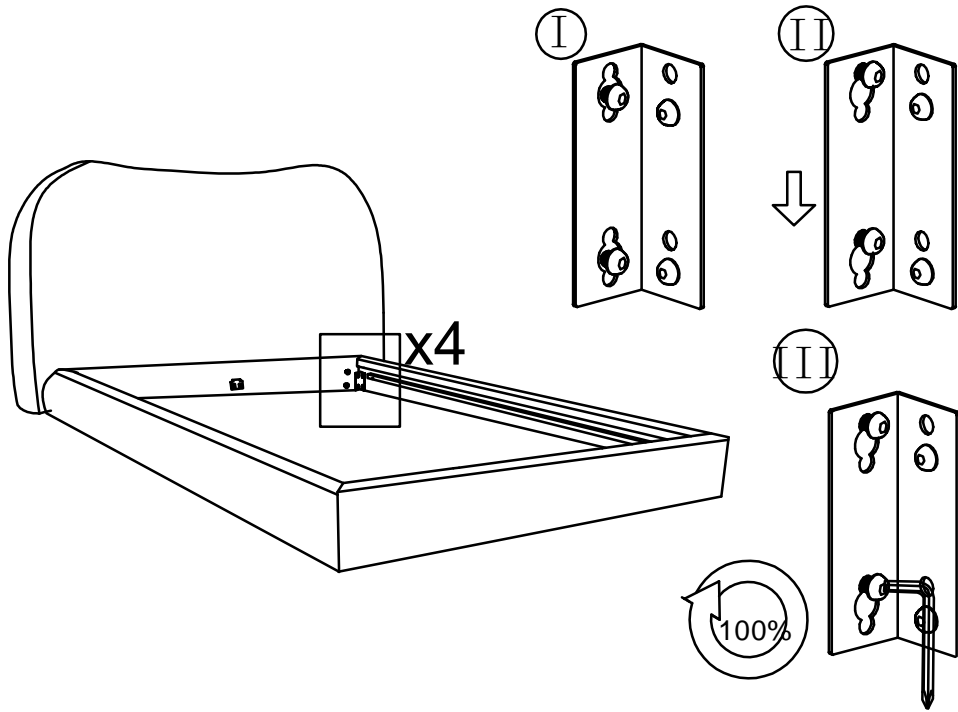


⑩ X1



STEP 3:

10x1



STEP 4:

3x4



6x4



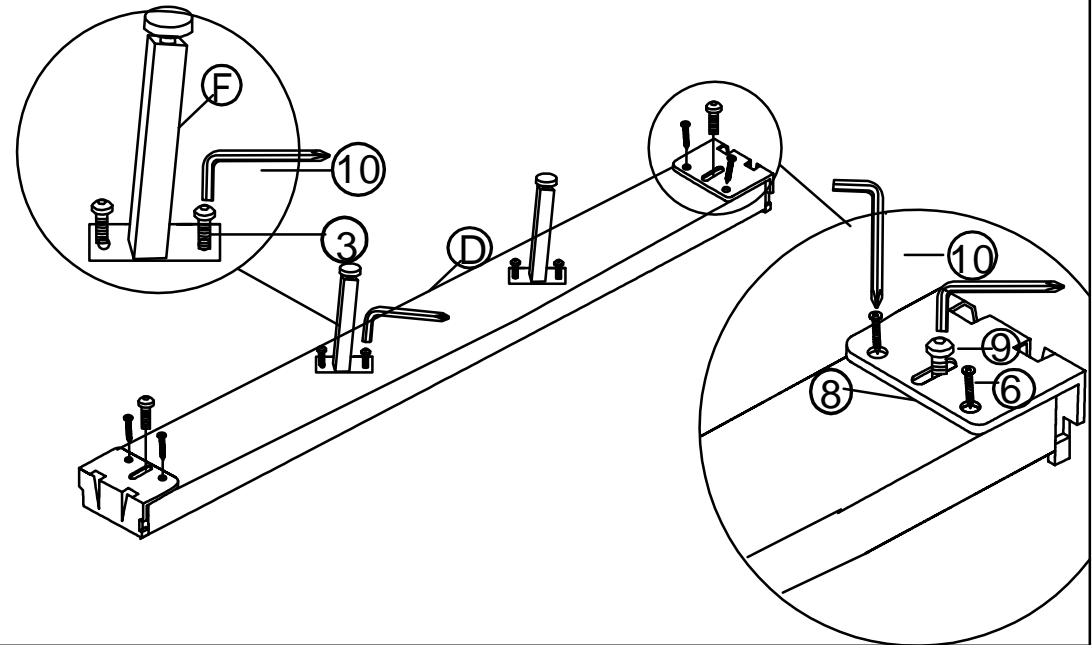
8x2



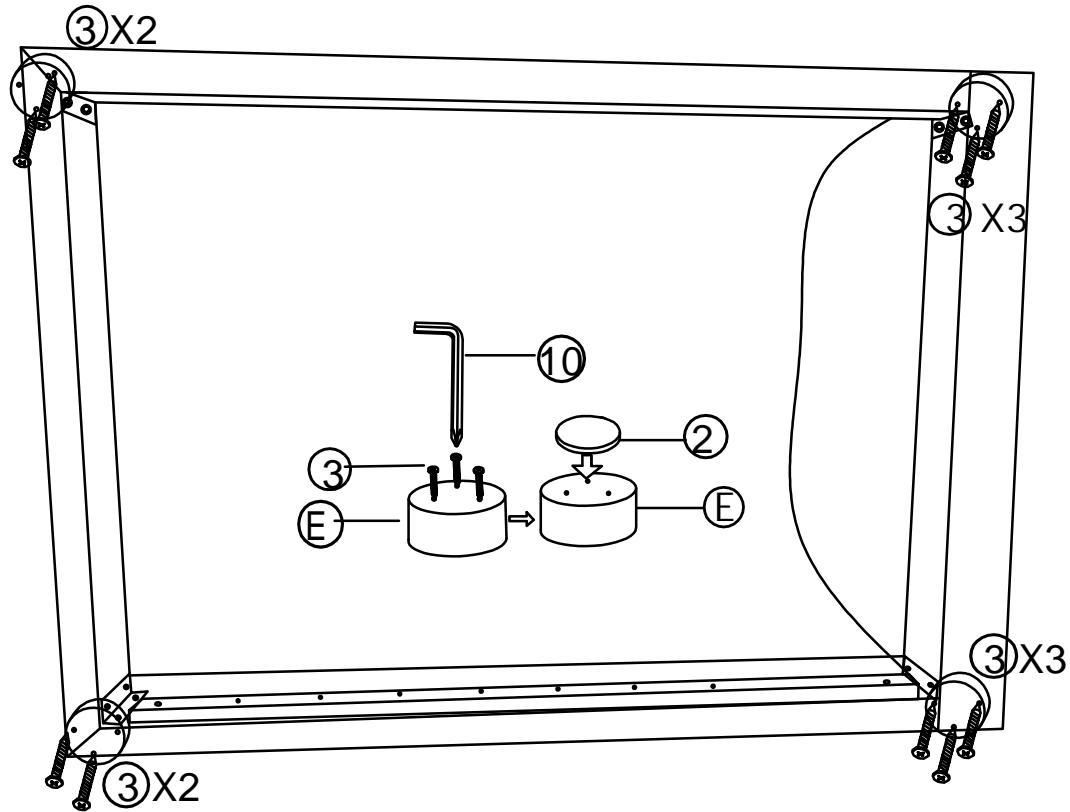
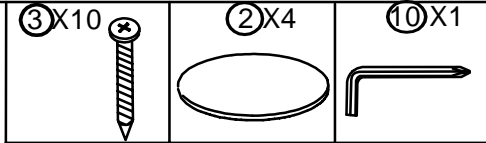
9x2



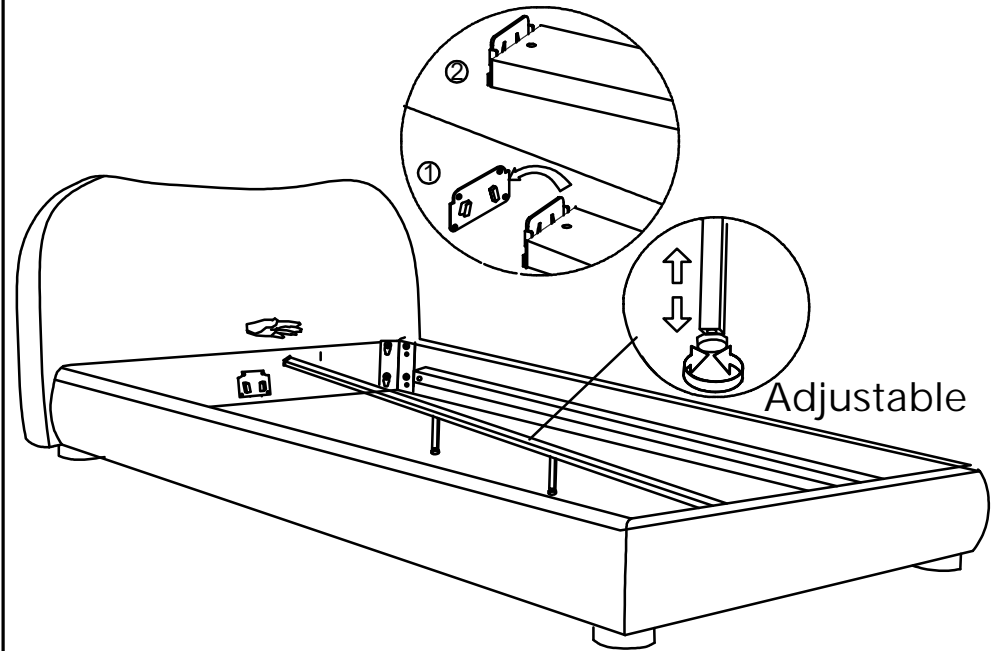
10x1



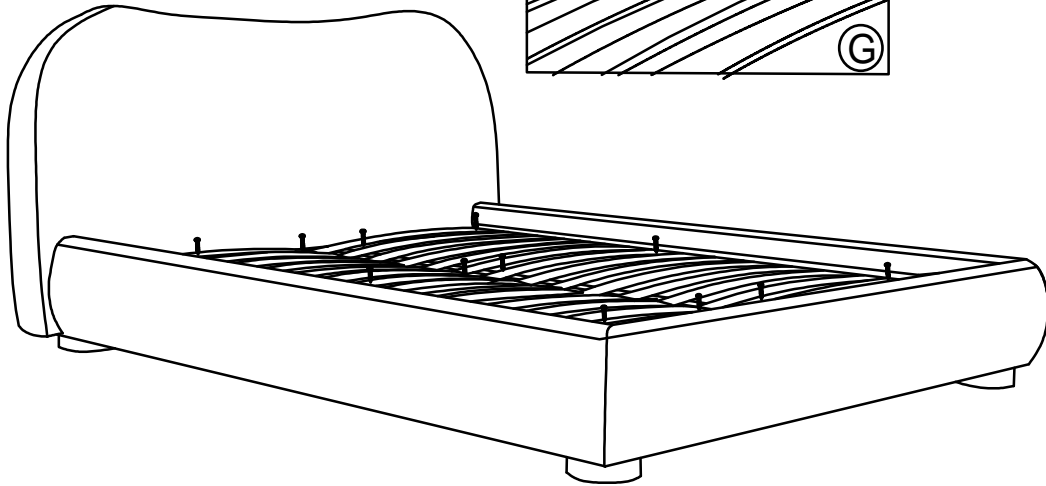
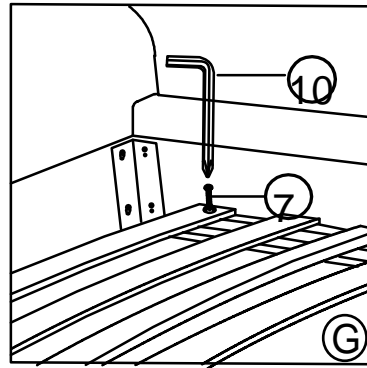
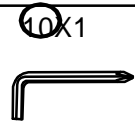
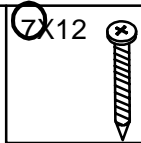
STEP 5:



STEP 6:



STEP 7:



STEP 8:

