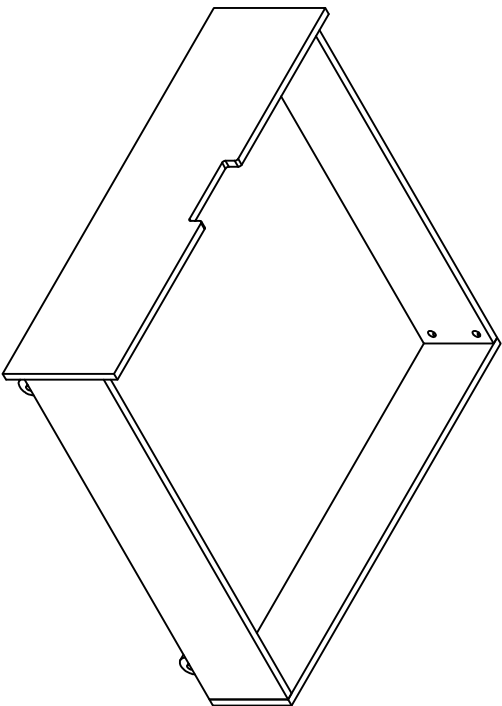


# ASSEMBLY INSTRUCTIONS








## ASSEMBLY TIPS

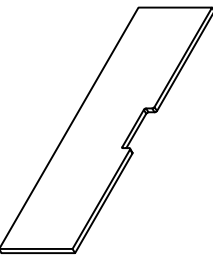
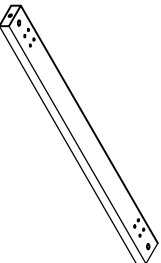
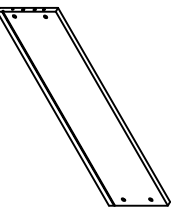
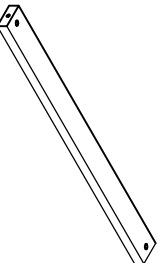
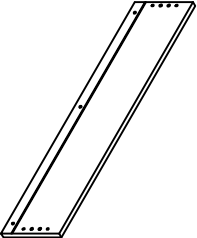
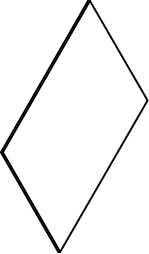
1. Remove hardware from box and sort by size.
2. Please check to see that all hardware and parts are present prior start of assembly.
3. Please follow attached instructions in the same sequence as numbered to assure fast and easy assembly.



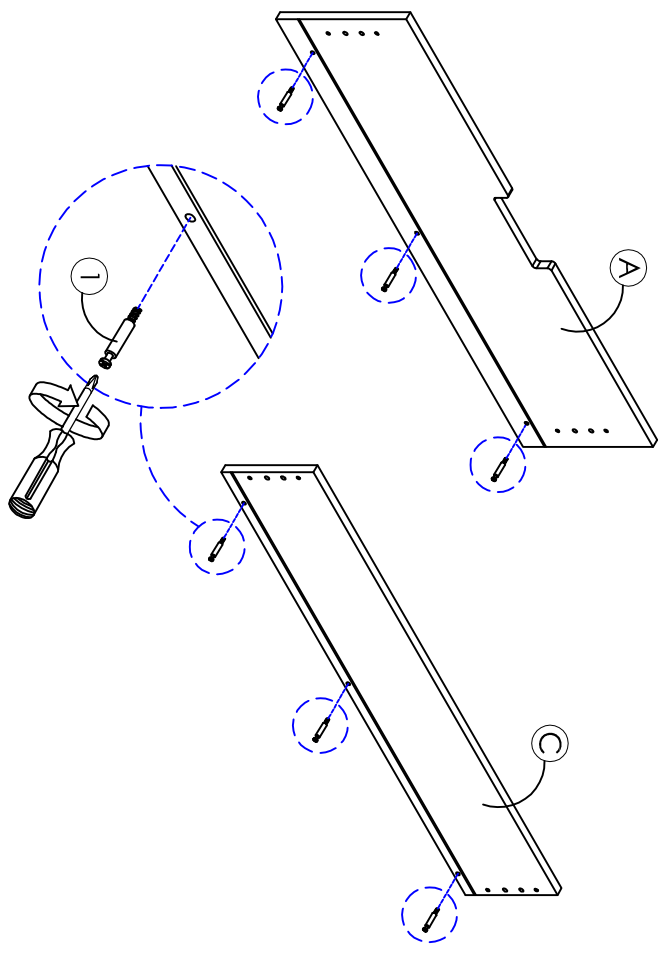
## Warning !

1. Don't attempt to repair or modify parts that are broken or defective. Please contact the store immediately.
2. This product is for home use only and not intended for commercial establishments.

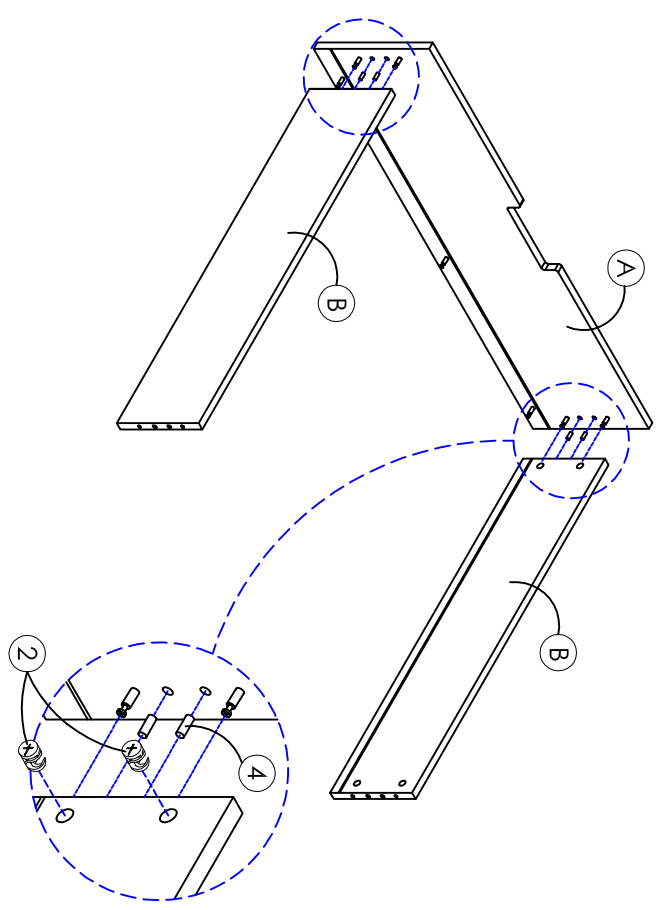
HARDWARE LIST			
1	28 PCS	5	8PCS
MINIFIX BOLT		CASTOR	
2	28 PCS		
MINIFIX CAM			
3	32 PCS		
WOOD SCREW 3.5 x 16mm			
4	16 PCS		
WOOD DOWEL Ø8 x 30mm			

COMPONENT LIST			
A	2PCS	D	4 PCS
FRONT PANEL		BOTTOM SUPPORT RAIL WITH CASTOR HOLE	
B	4 PCS	E	2 PCS
SIDE PANEL		BOTTOM SUPPORT RAIL	
C	2 PCS	F	2 PCS
BACK PANEL		BOTTOM PANEL	

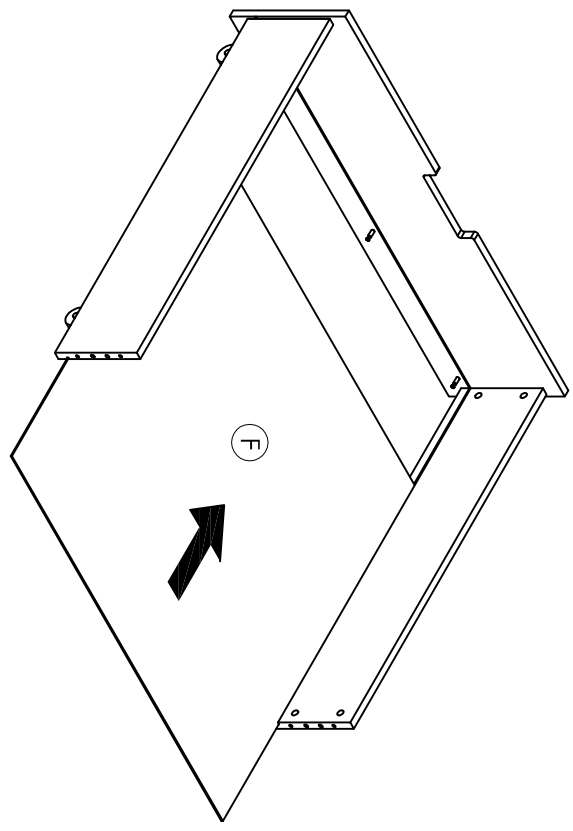
STEP 1



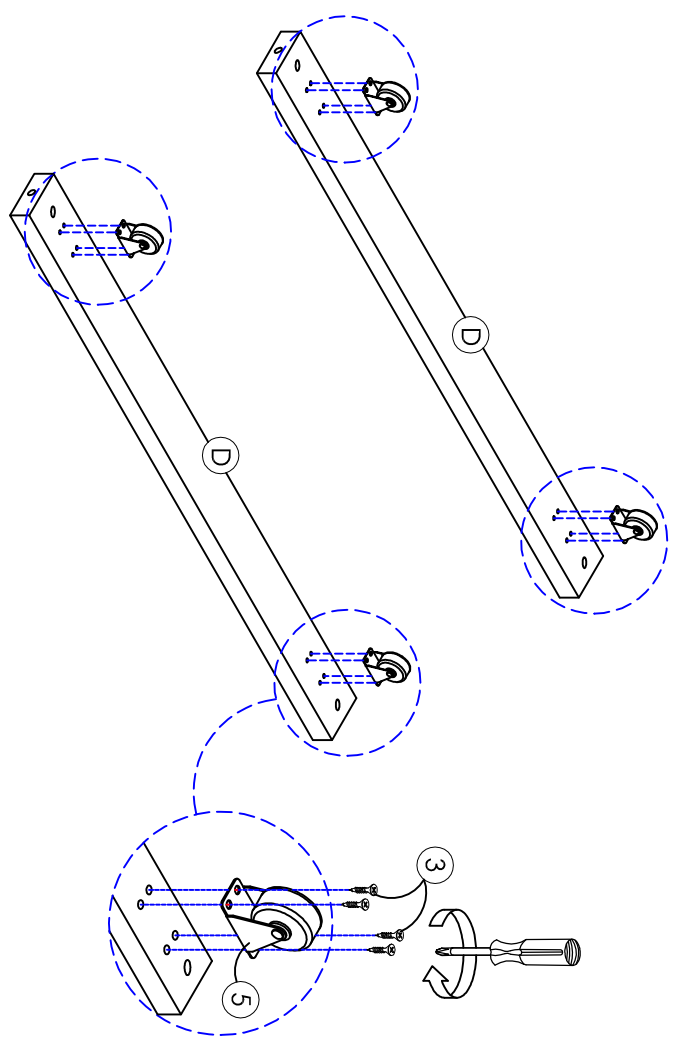
STEP 2



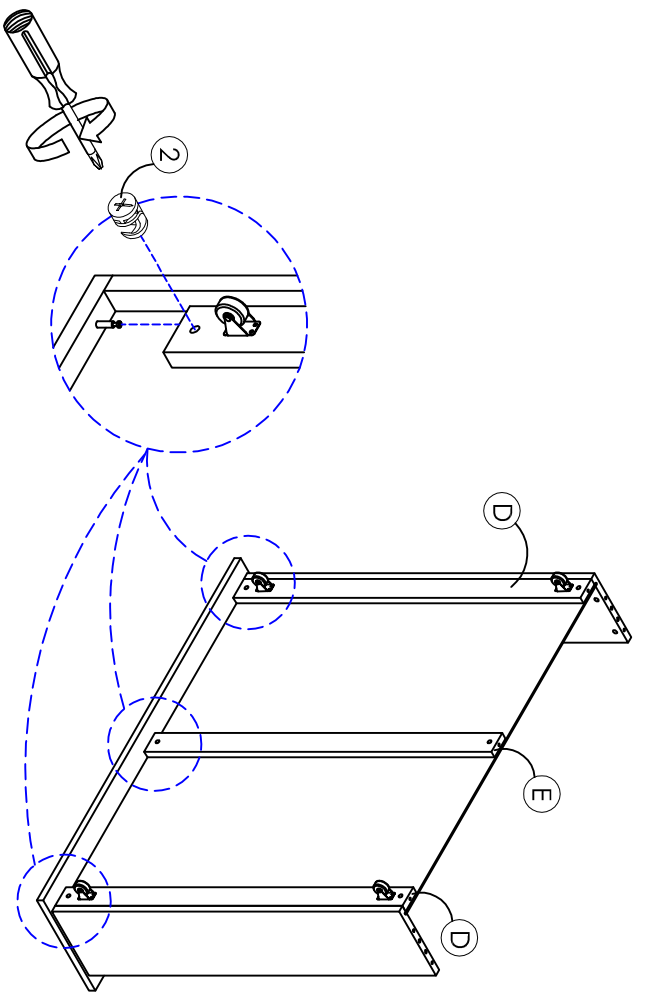
STEP 3



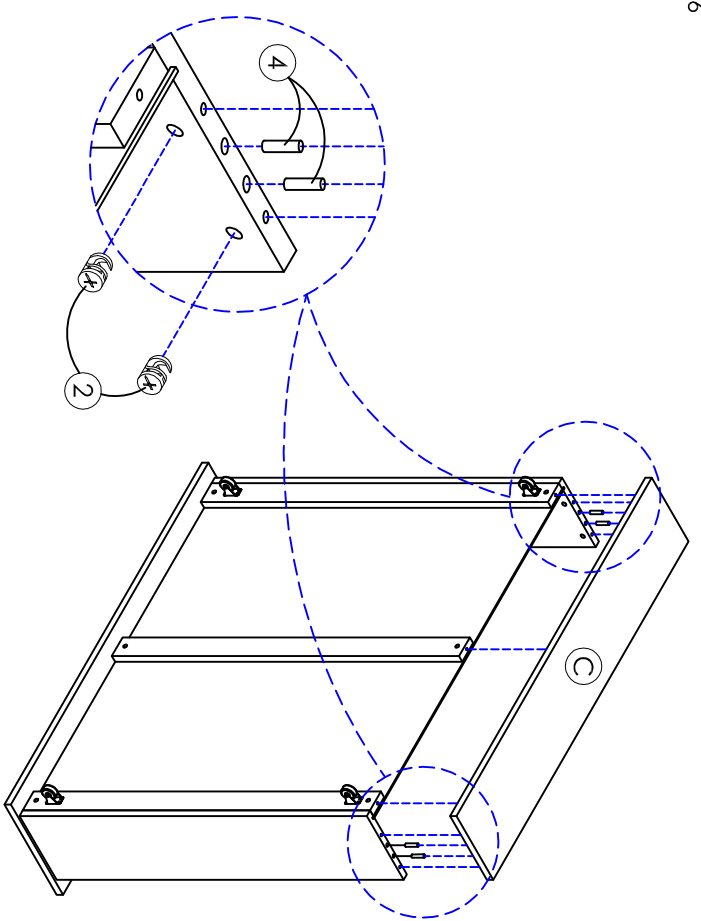
STEP 4



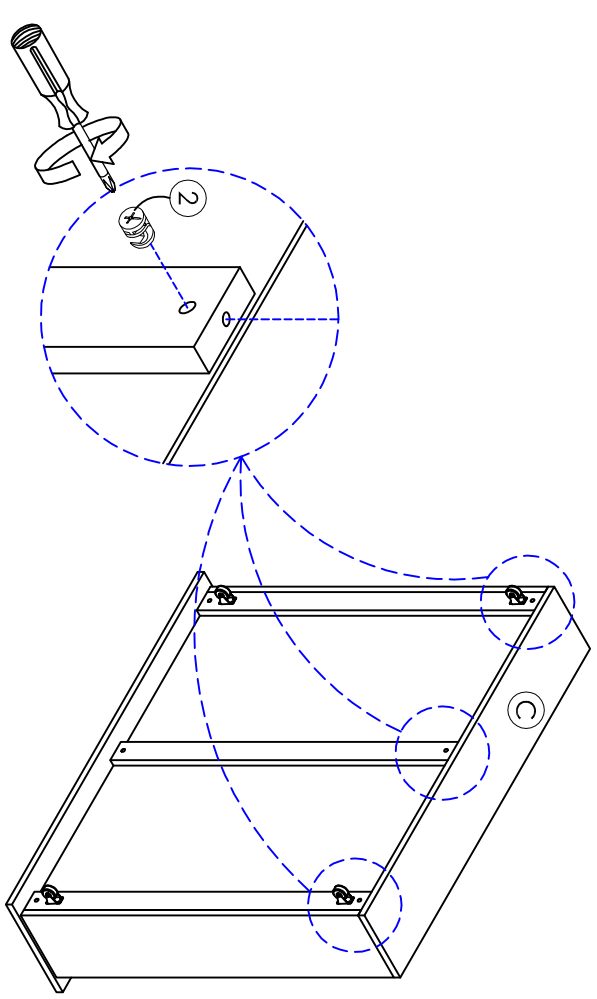
STEP 5



STEP 6



STEP 7



STEP 8

Repeat the same step for another bed drawer.

