

# Assembly Instruction

## **SAFETY WARNING !**

A)

WARNING : TOP BUNKS AND ELEVATED BEDS  
ARE DANGEROUS AND ARE NOT RECOMMENDED  
FOR CHILDREN UNDER THE AGE OF 9

Falls from elevated beds can be fatal and deaths have occurred where children have fallen from elevated beds. This is relevant for all ages. The risk is greater for younger children.

The risk of injury or death from a fall from an elevated bed compared to a non-elevated bed is :

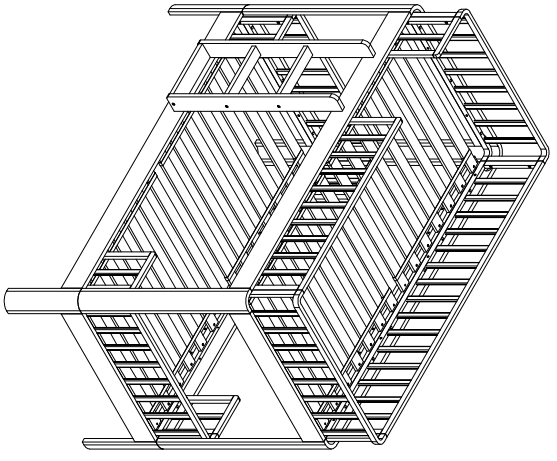
10 x greater for 7-8 year olds  
7 x greater for 9-10 year olds  
3 x greater for 11-12 year olds

B) Children should be discouraged from playing on the bunk bed.

C) The bunk bed should be checked periodically to ensure that the guardrail, access device and other components are maintained in the correct position and state of repair and that all connectors are tight.

D) **WARNING** : The upper bunk must be more than 2m from any ceiling fan.

# ASSEMBLY INSTRUCTIONS



### ASSEMBLY TIPS

1. Remove hardware from box and sort by size.
2. Please check to see that all hardware and parts are present prior start of assembly.
3. Please follow attached instructions in the same sequence as numbered to assure fast and easy assembly.

### Warning!

1. Don't attempt to repair or modify parts that are broken or defective. Please contact the store immediately.
2. This product is for home use only and not intended for commercial establishments.

\*Slat base is using the timber wood material which is LVL (Laminated Veneer Lumber). Laminated veneer lumber (LVL) is an engineered wood product that uses multiple layers of thin wood assembled with adhesives, and it is comparable in strength to solid timber slat. Some of the slat you might find the timber wood joiner which is not a crack or defect which is still strong and solid\*\*.

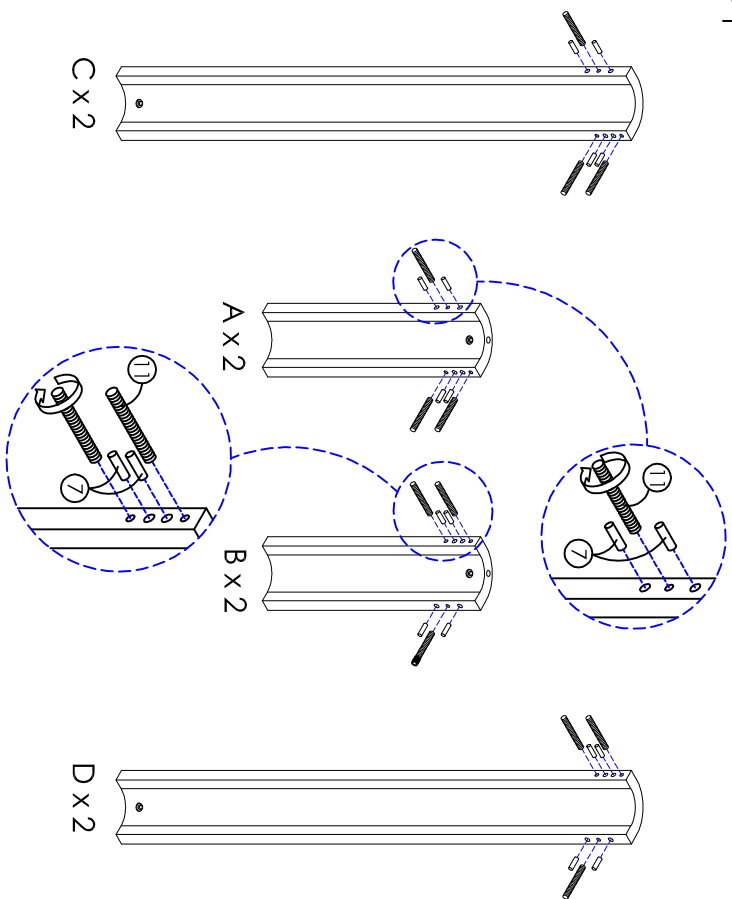
### HARDWARE LIST

1		6 pcs	8		6 pcs
2		20 pcs	9		4 pcs
3		4 pcs	10		1 pc
4		42 pcs	11		24 pcs
5		60 pcs	12		24 pcs
6		8 pcs	13		24 pcs
7		40 pcs	14		4 pcs
			15		1 pc

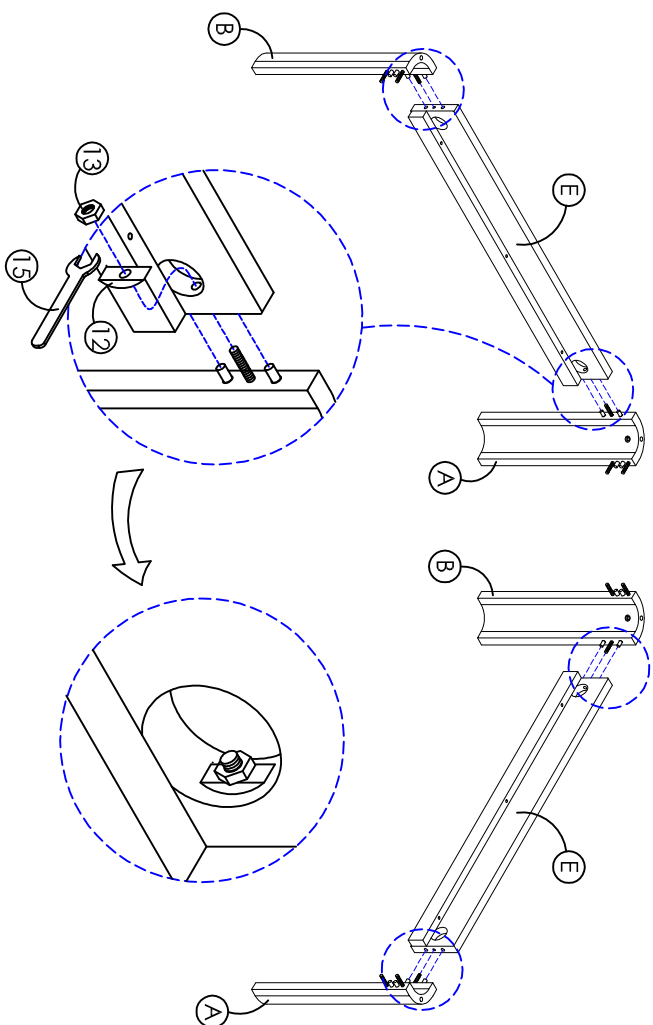
### COMPONENT LIST

A		2 pcs	J		5 pcs
B		2 pcs	K		1 pc
C		2 pcs	L		1 pc
D		2 pcs	M		4 sets
E		4 pcs	N		1 pc
F		1 pc	O		1 pc
G		2 pcs	P		2 pcs
H		1 pc	Q		1 pc
I		4 pcs	R		2 pcs
			S		2 pcs

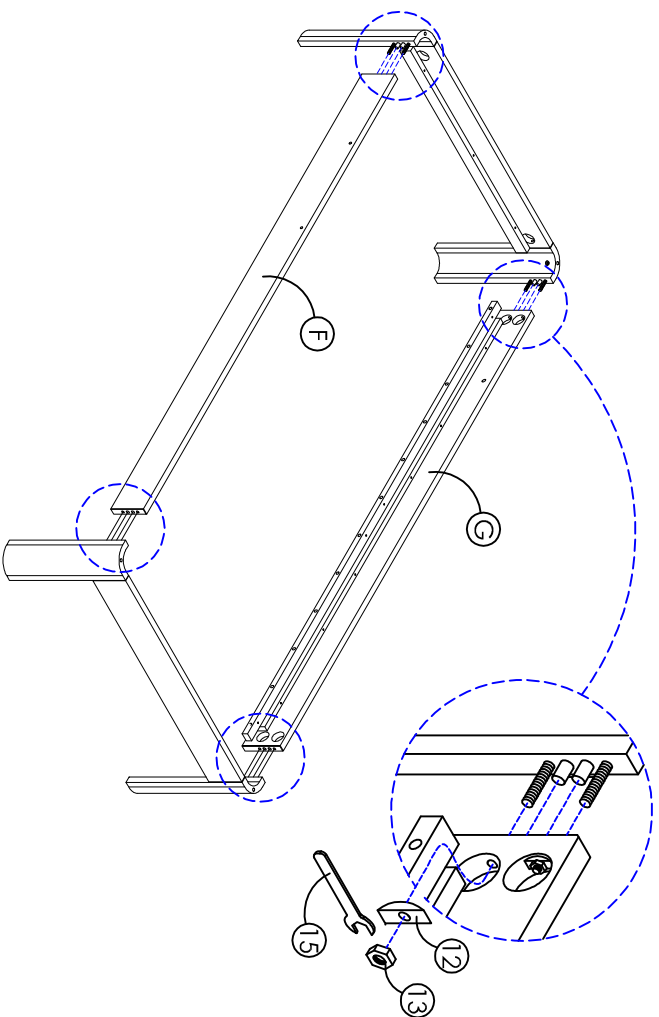
STEP 1



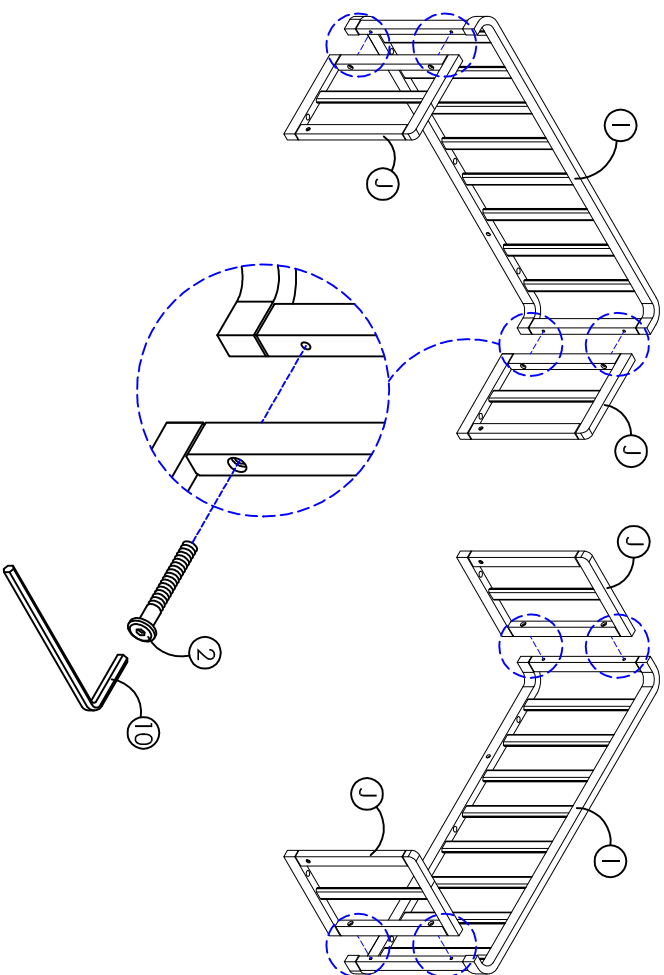
STEP 2

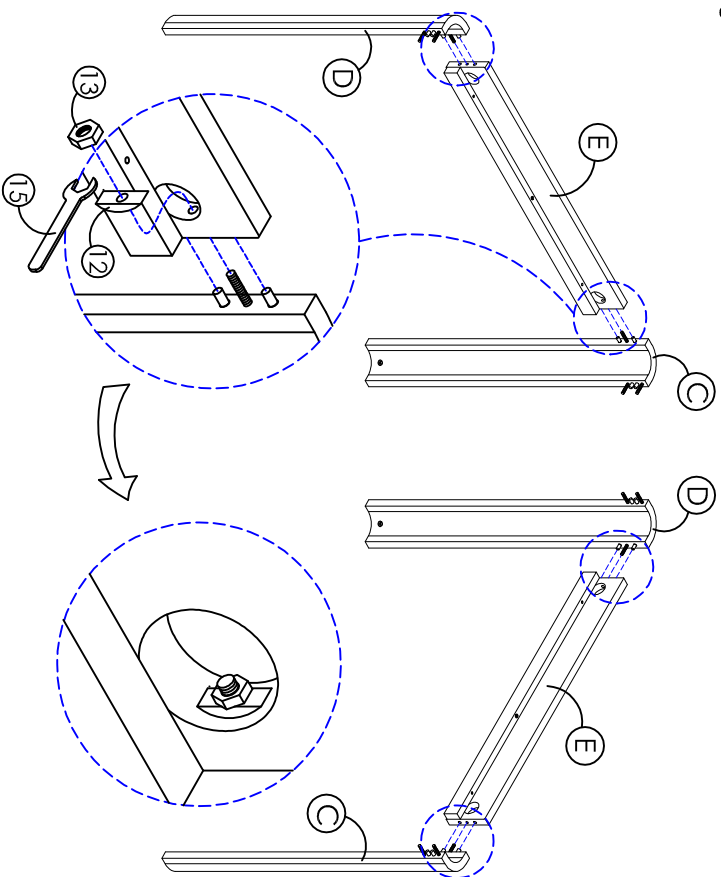
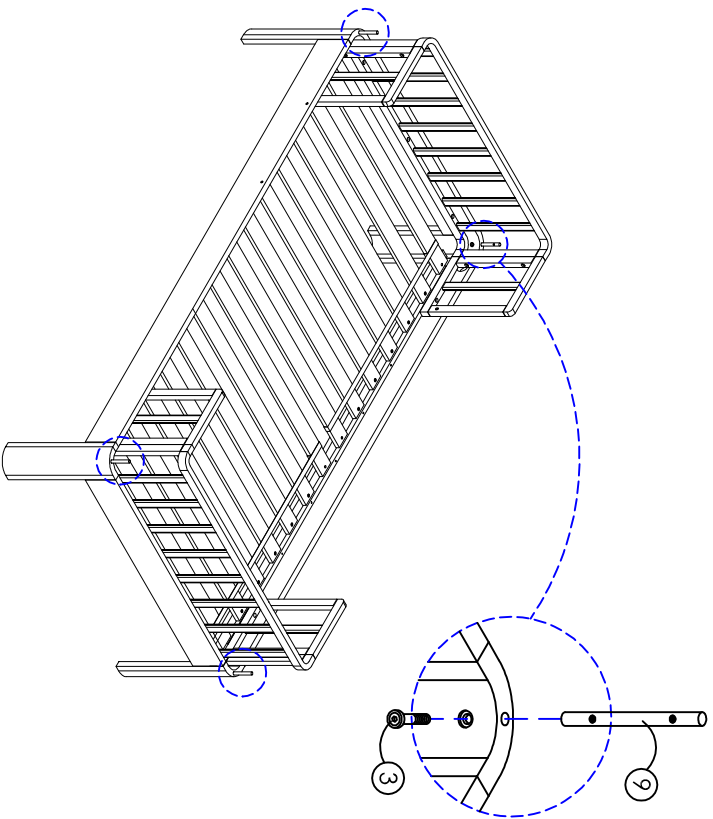
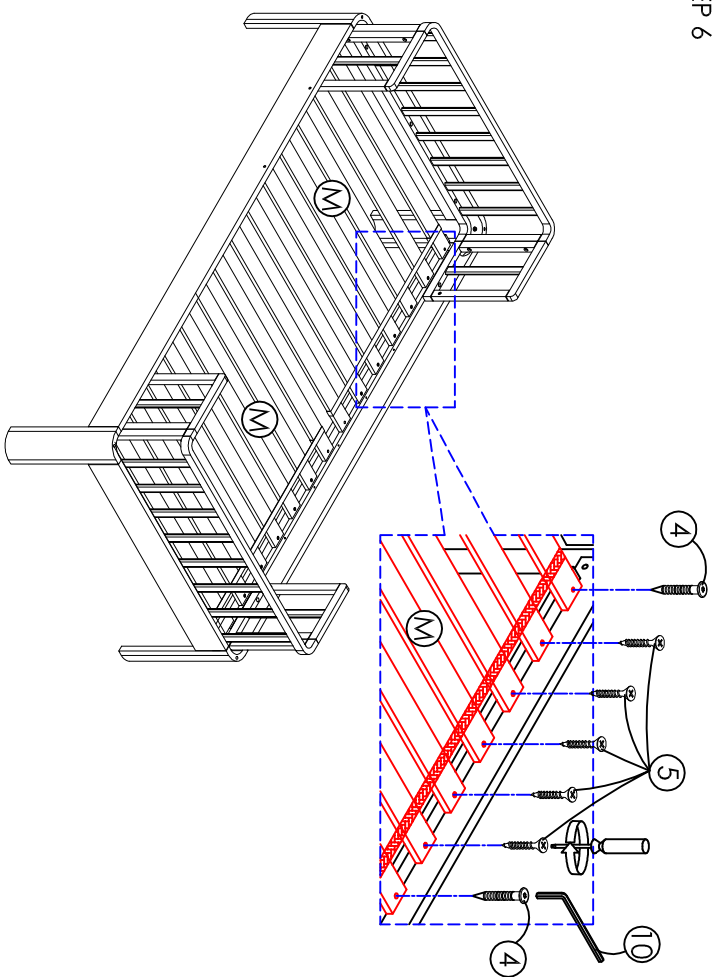
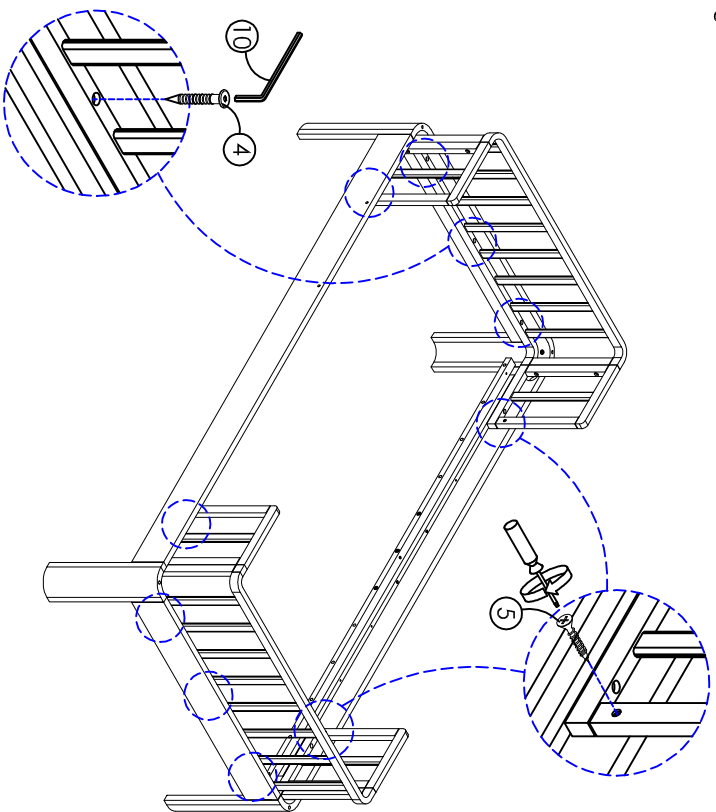


STEP 3

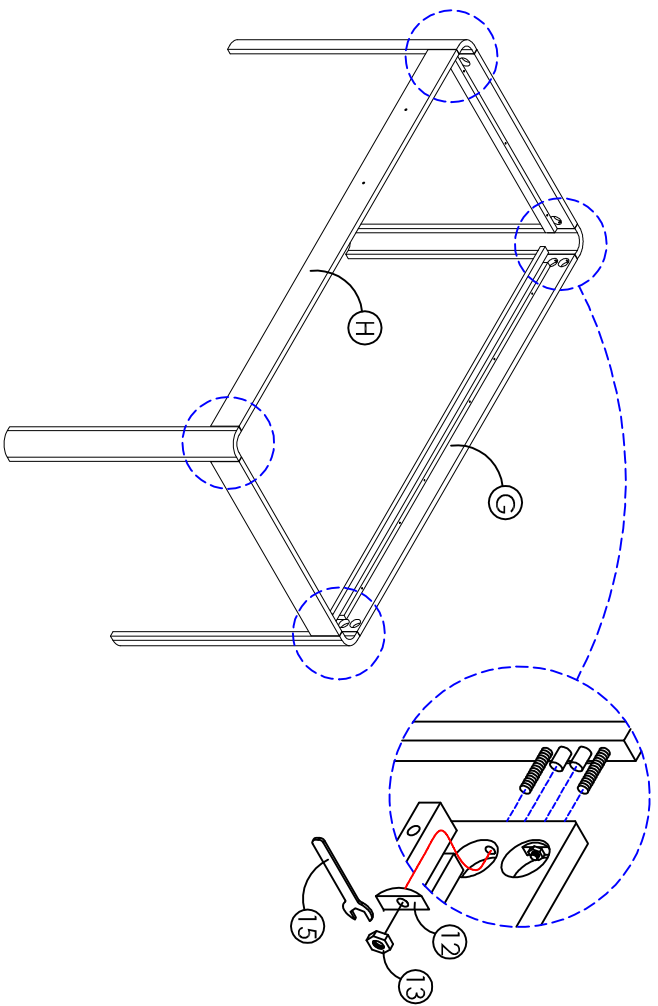


STEP 4

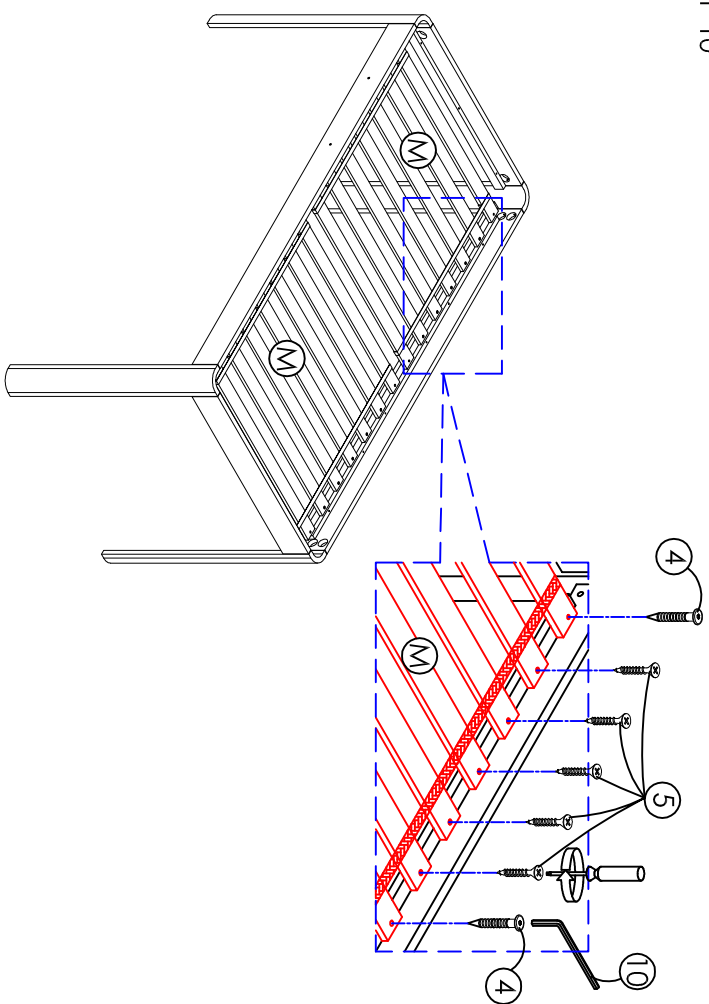




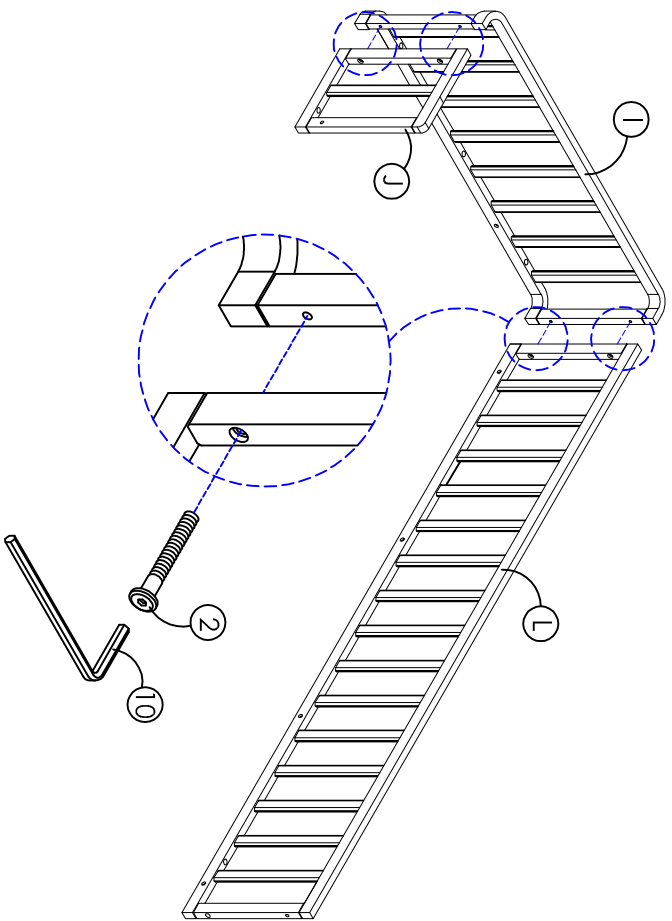
STEP 9



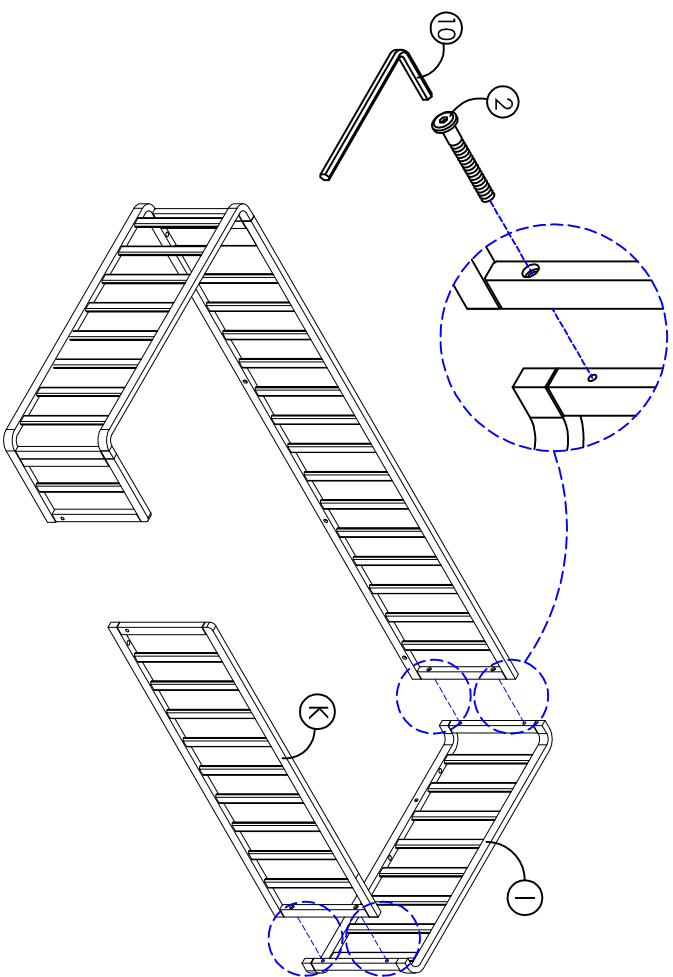
STEP 10



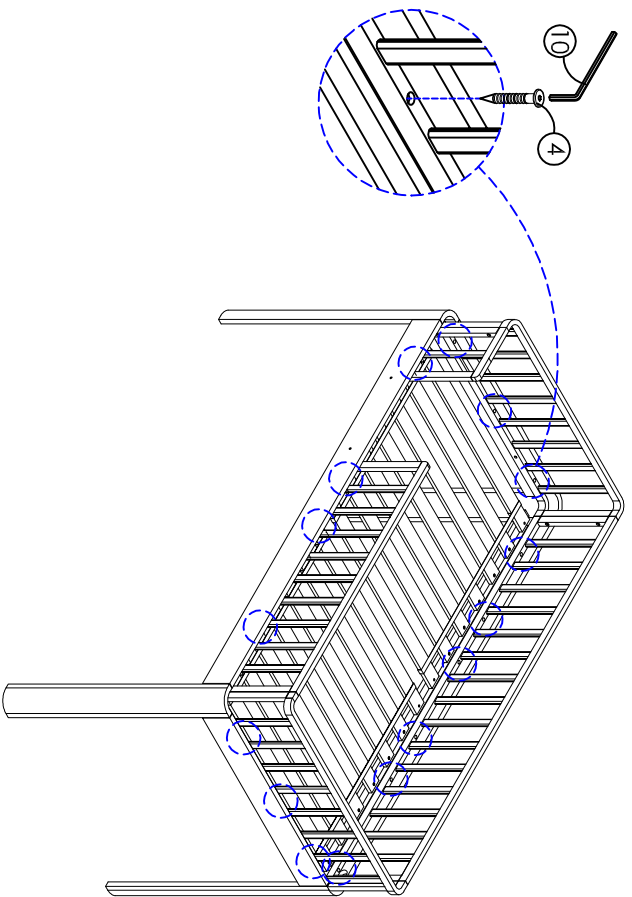
STEP 11



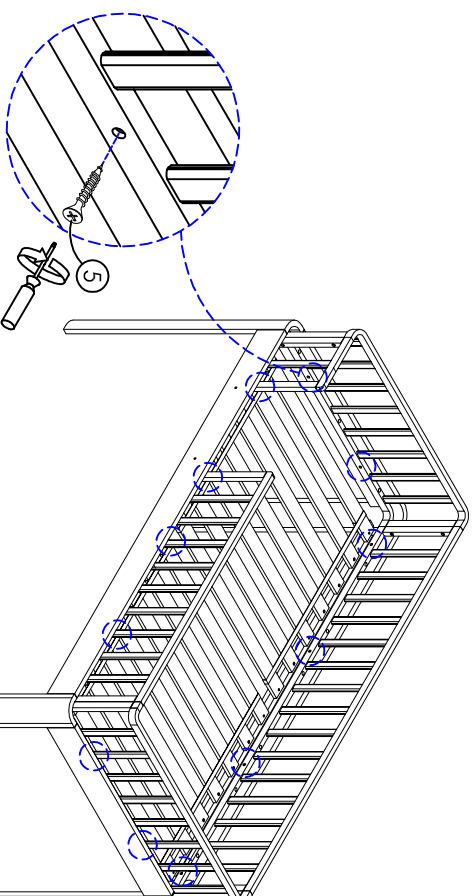
STEP 12



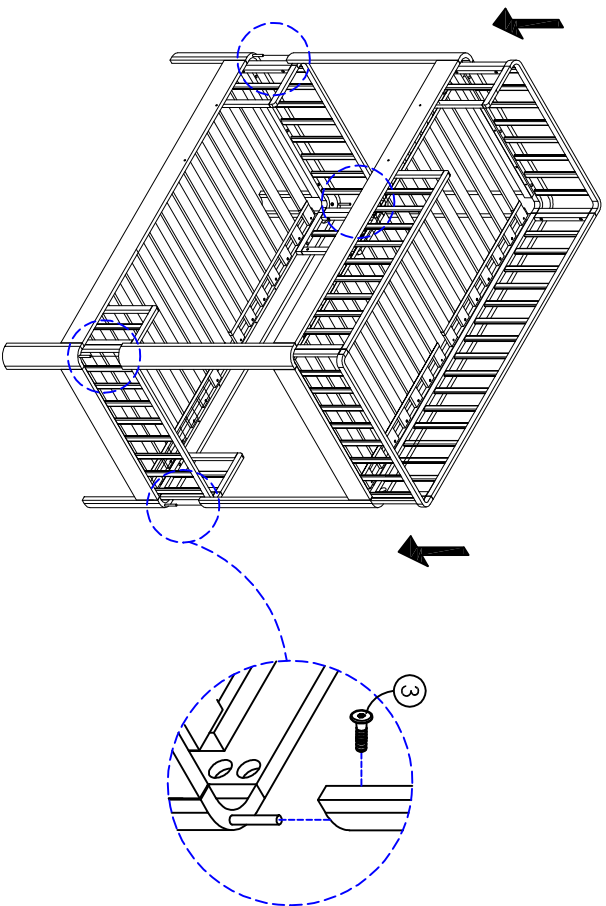
STEP 13



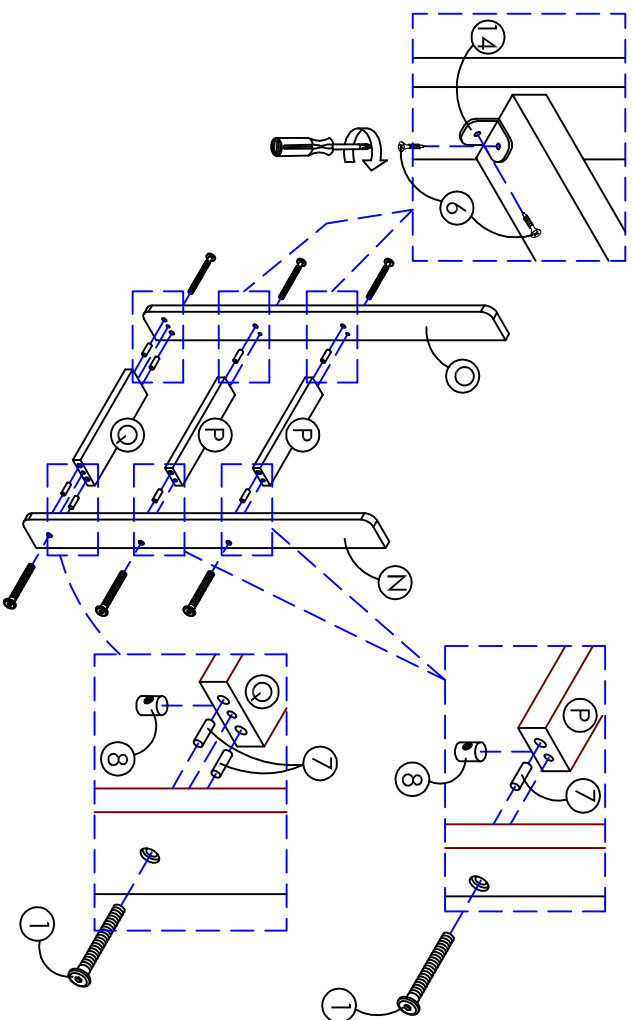
STEP 14



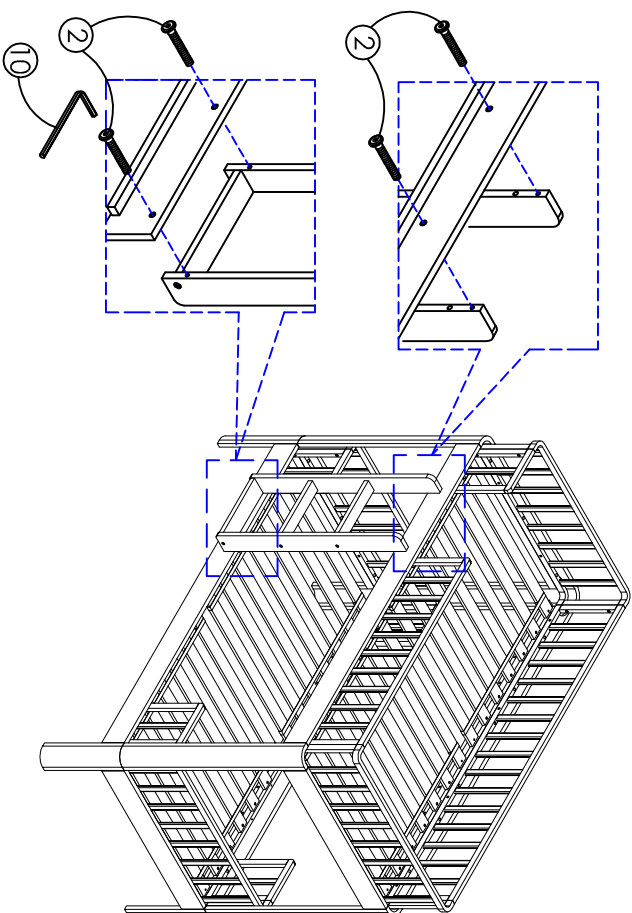
STEP 15



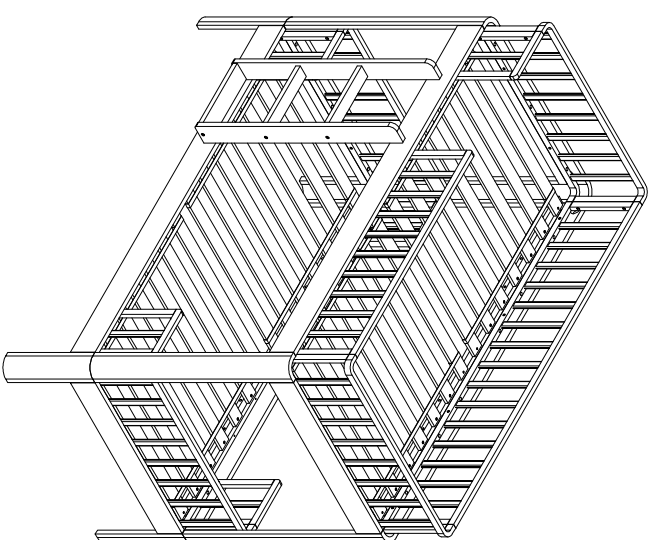
STEP 16



STEP 17

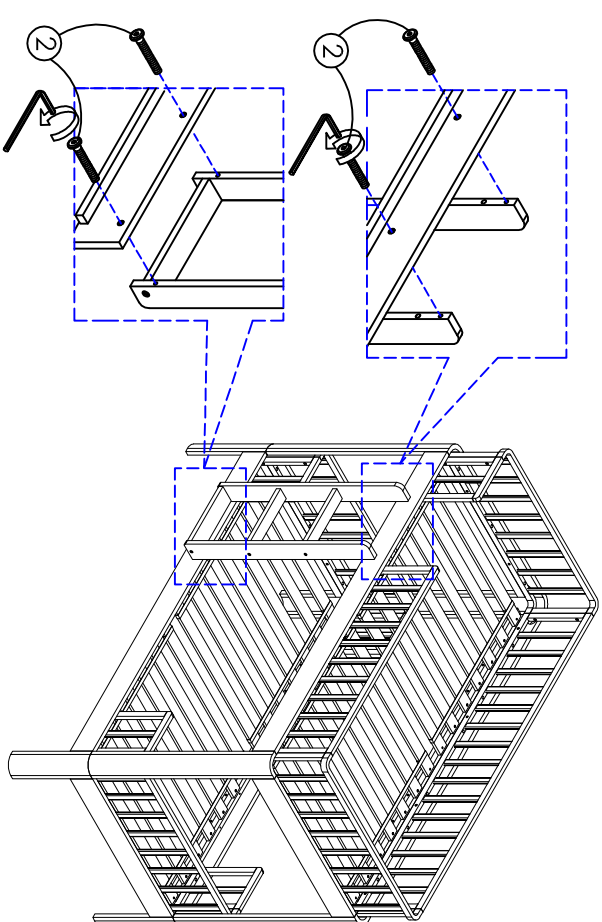


STEP 18  
COMPLETE ASSEMBLY FOR BUNK BED.

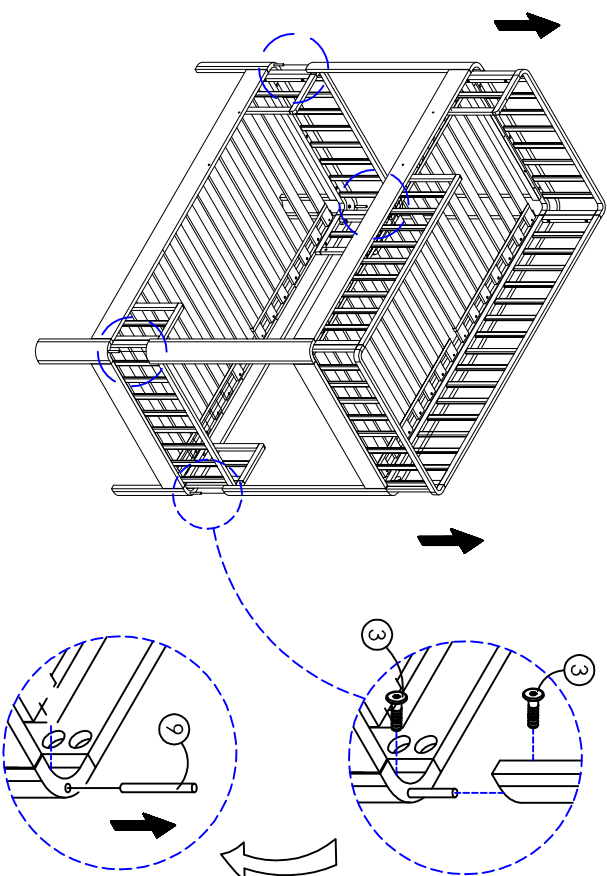


STEP 19

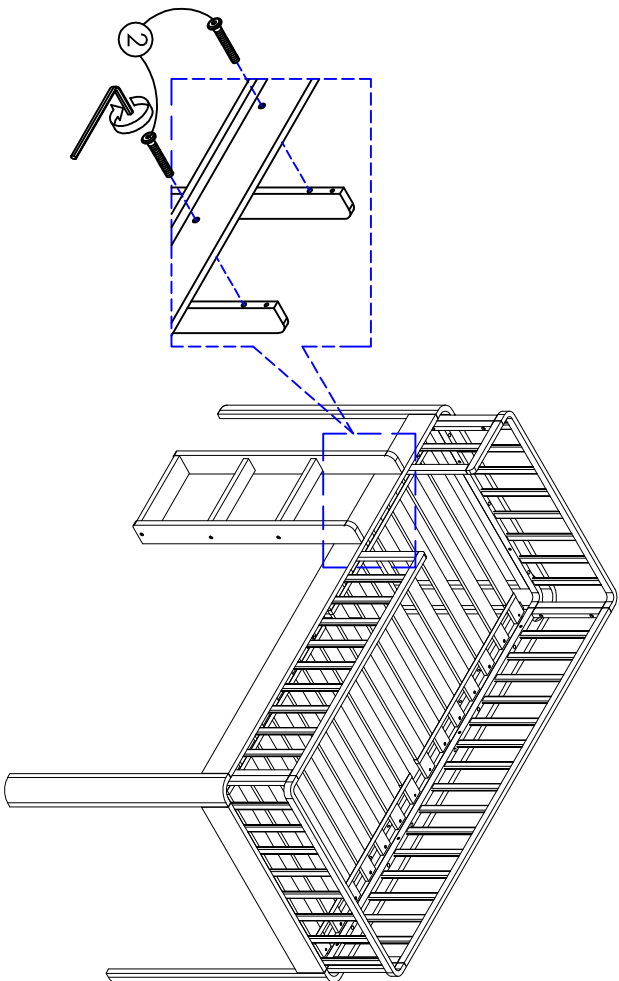
INSTRUCTION TO CHANGE THE BUNK BED TO KIDS LOFT.



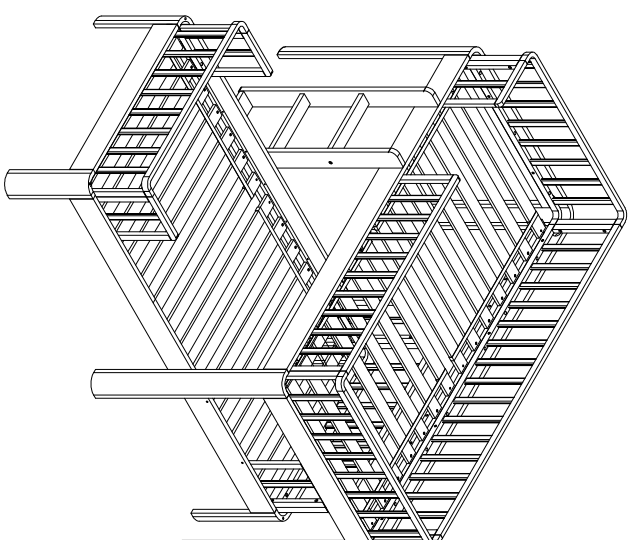
STEP 20



STEP 21

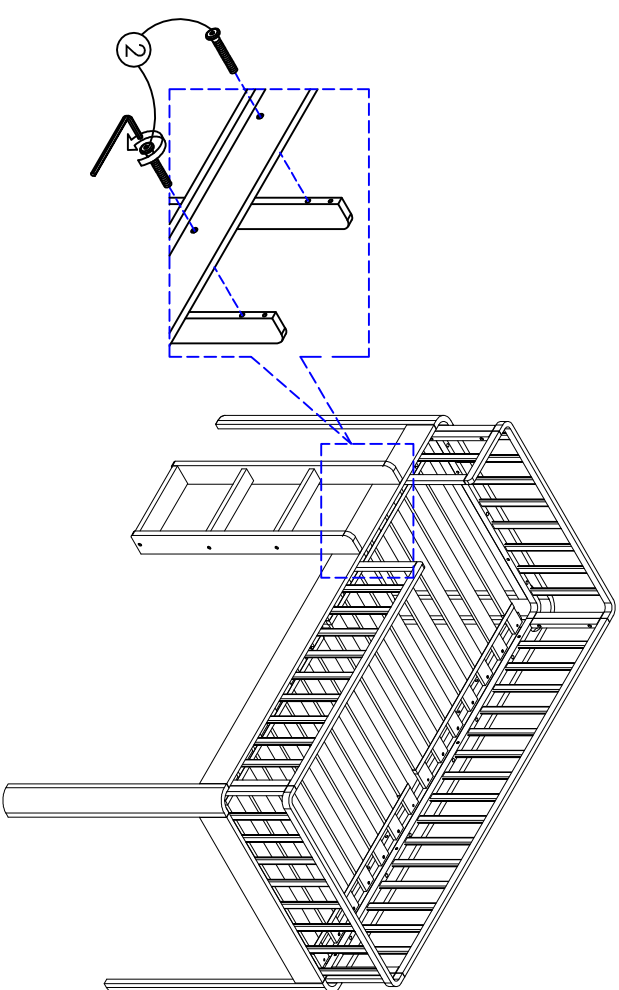


STEP 22  
COMPLETE ASSEMBLY FOR KIDS LOFT.

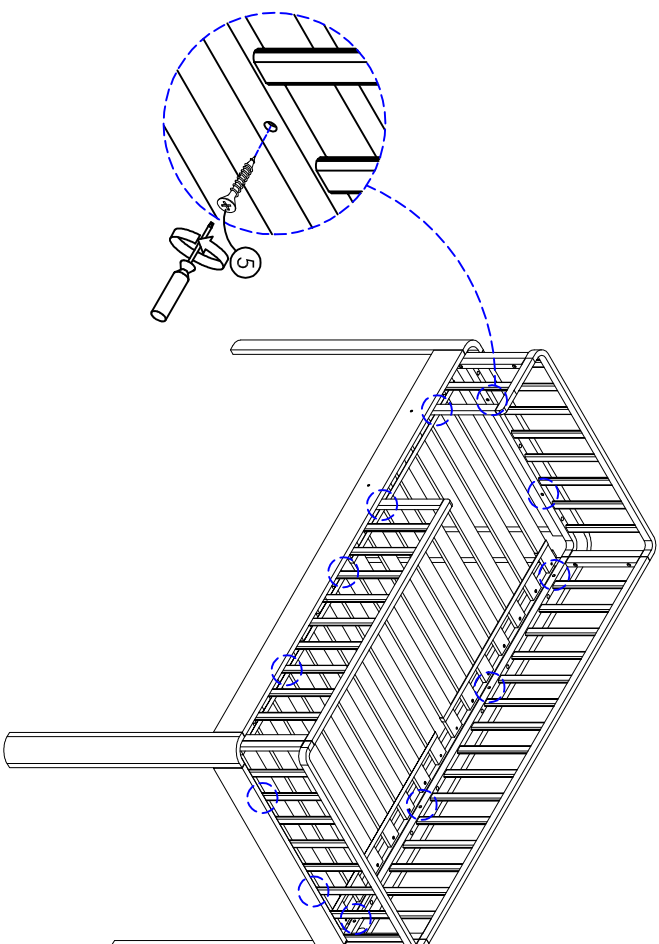


STEP 23

INSTRUCTION TO CHANGE THE KIDS LOFT TO TODDLER BED.

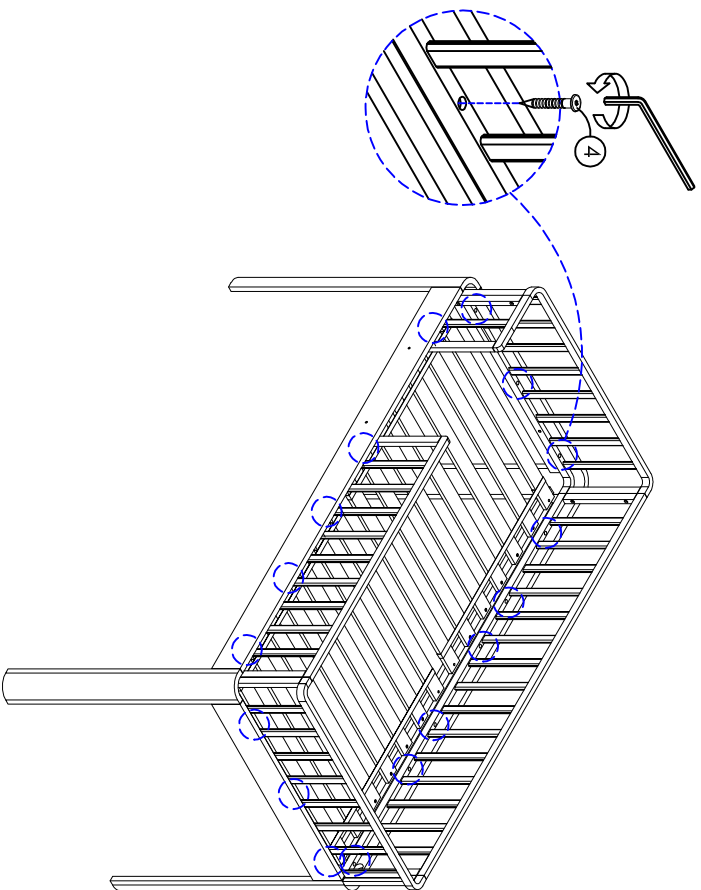


STEP 24

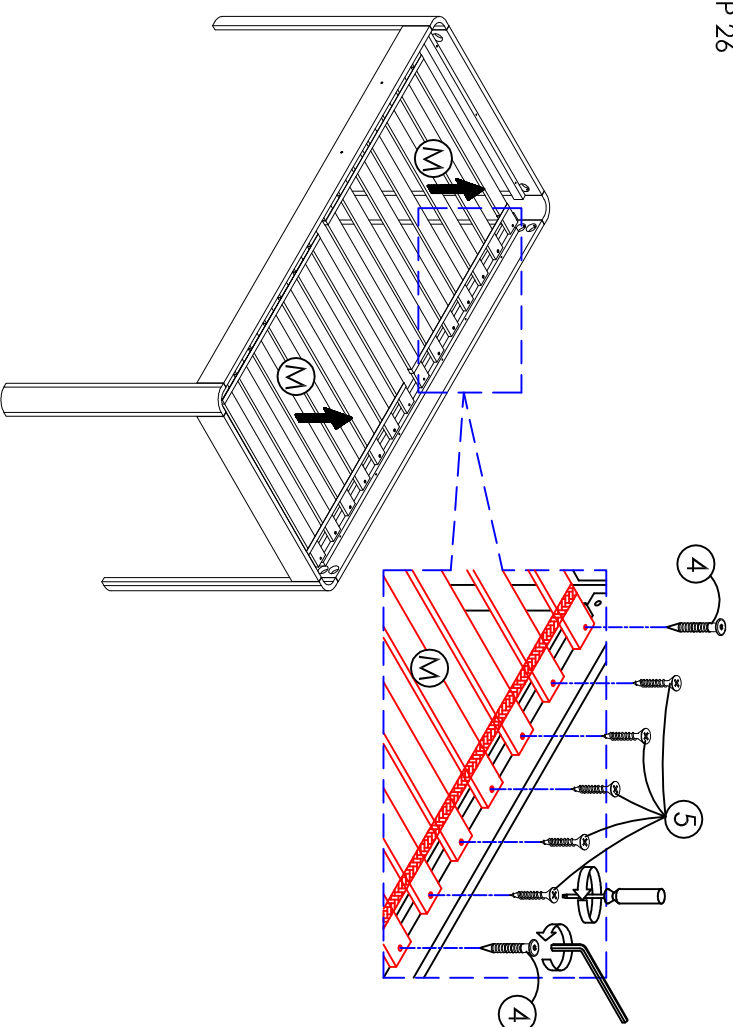




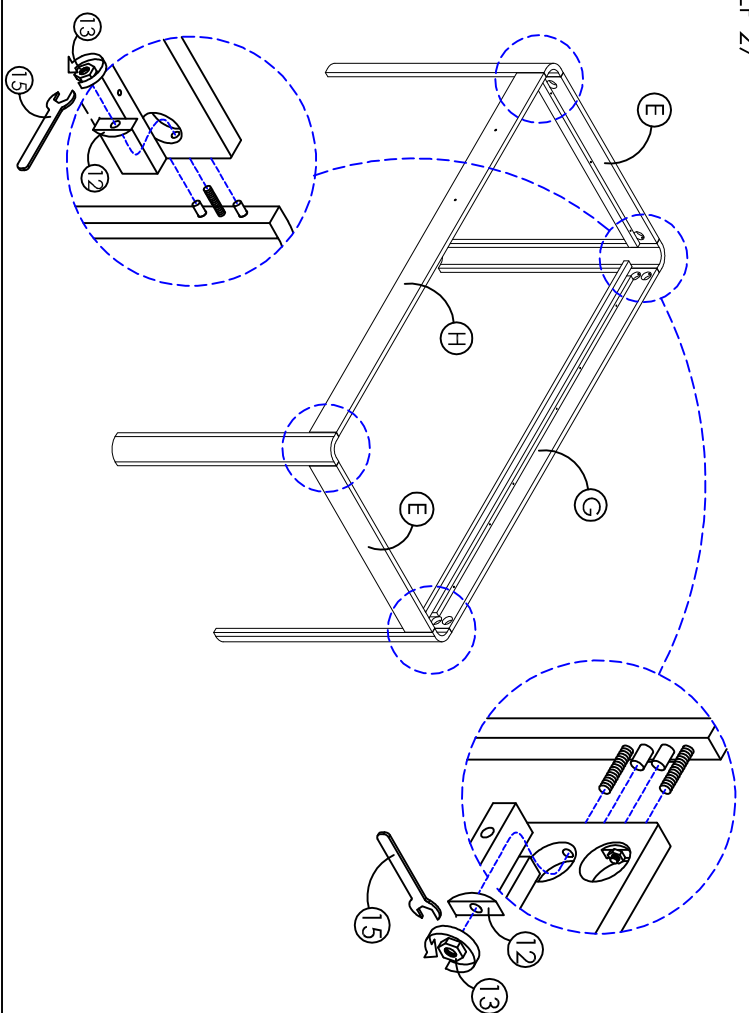
STEP 25



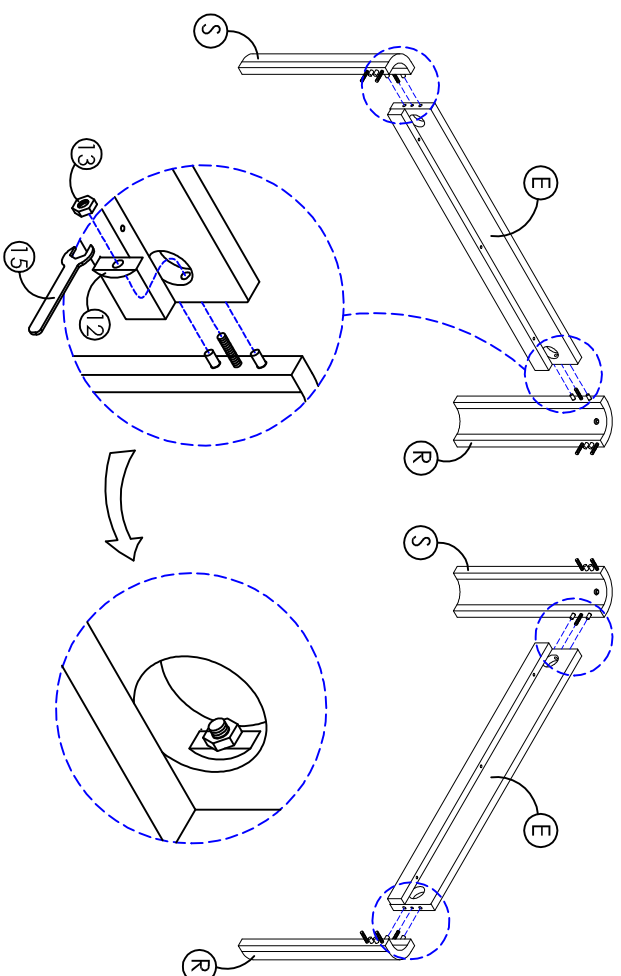
STEP 26



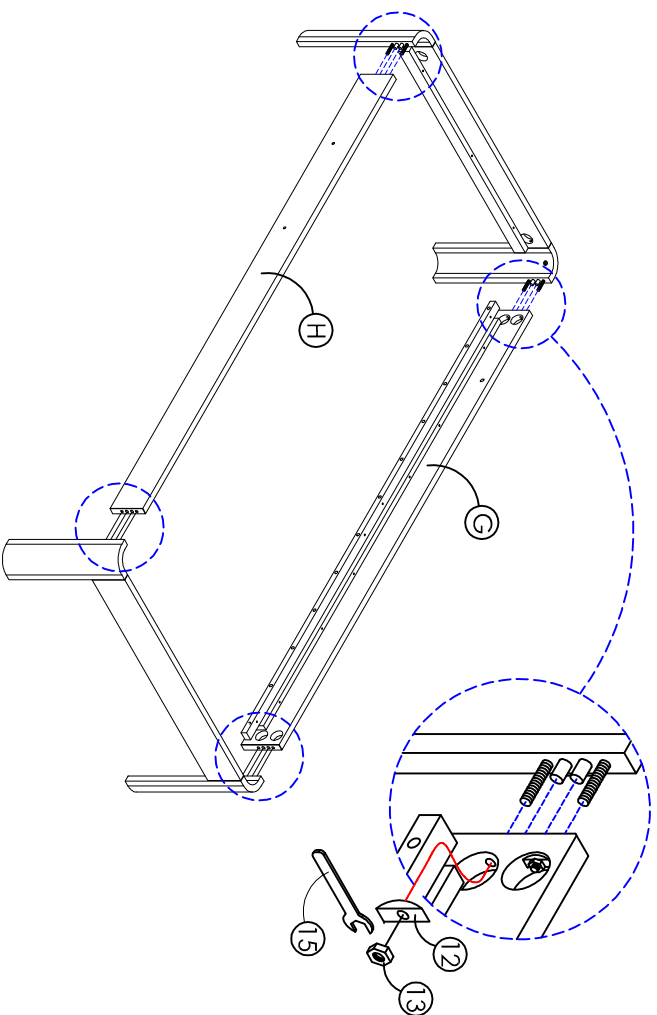
STEP 27



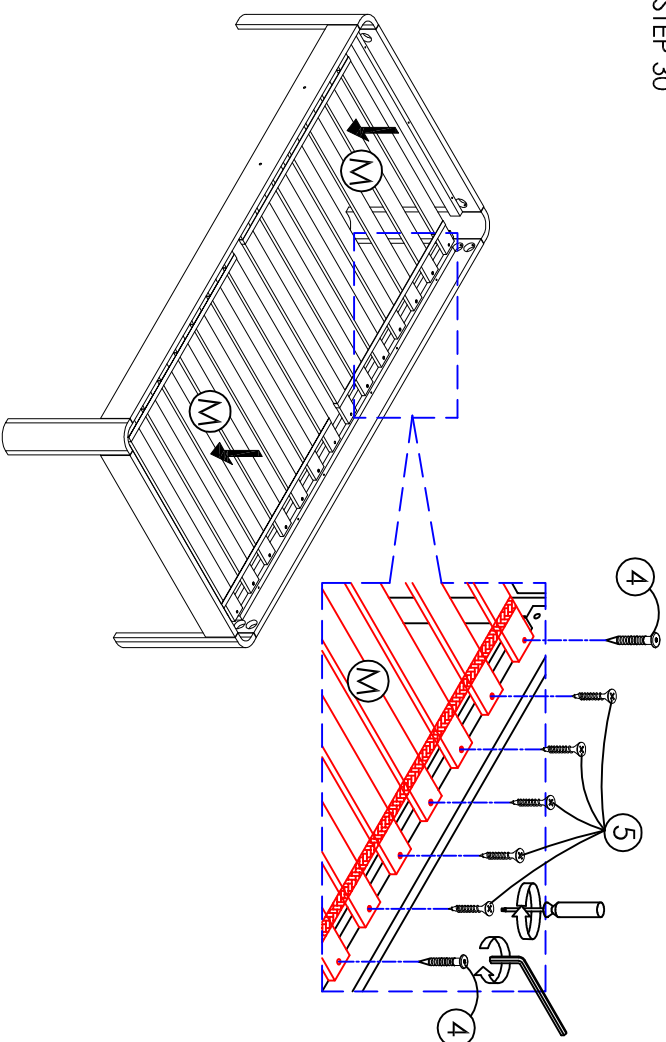
STEP 28



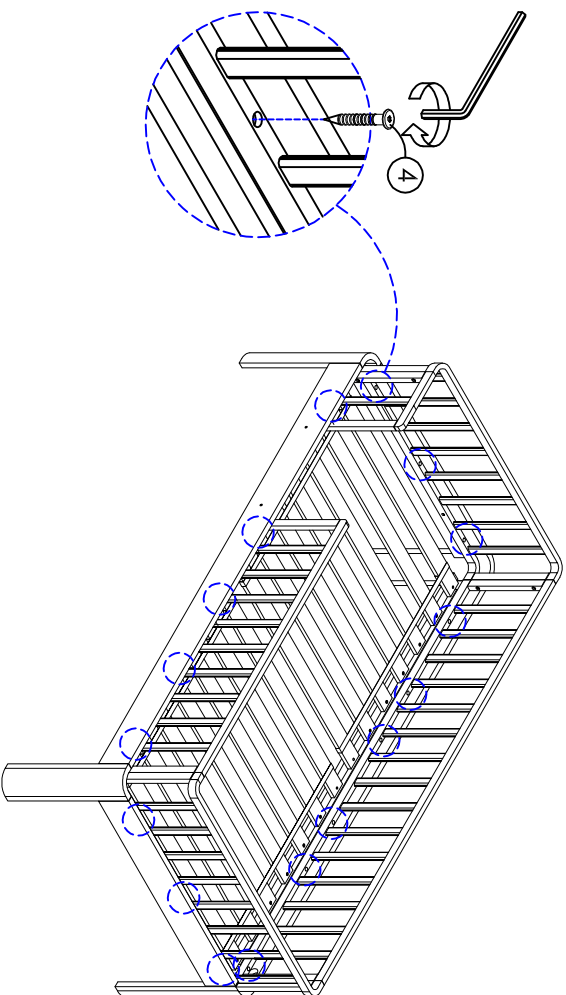
STEP 29



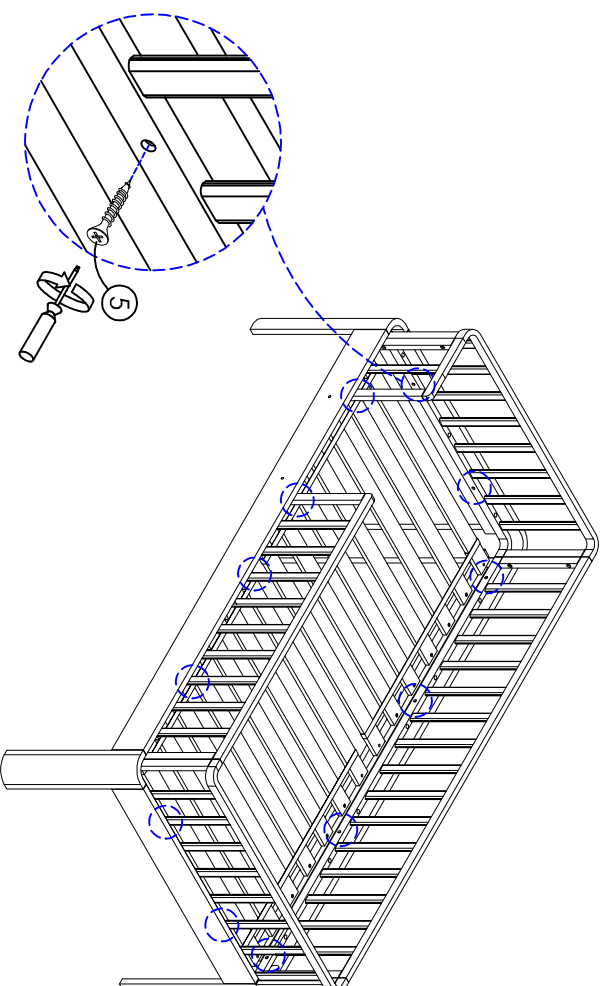
STEP 30



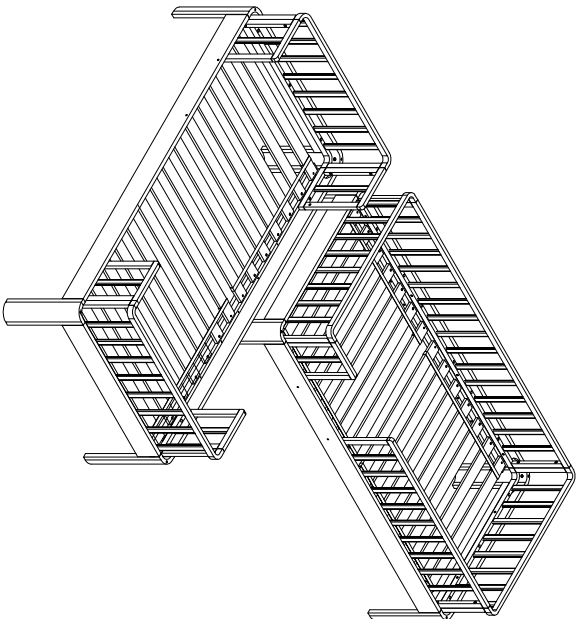
STEP 31



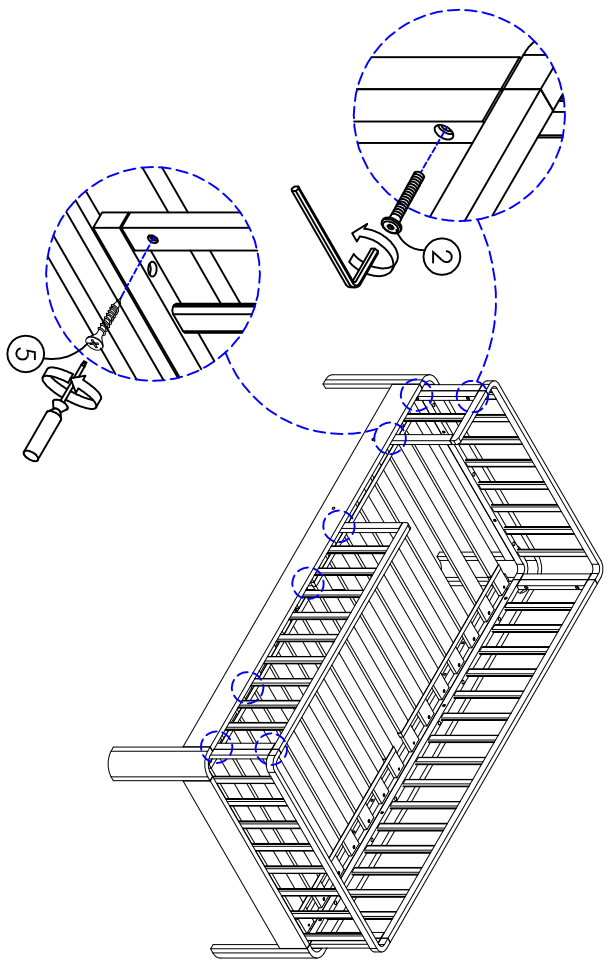
STEP 32



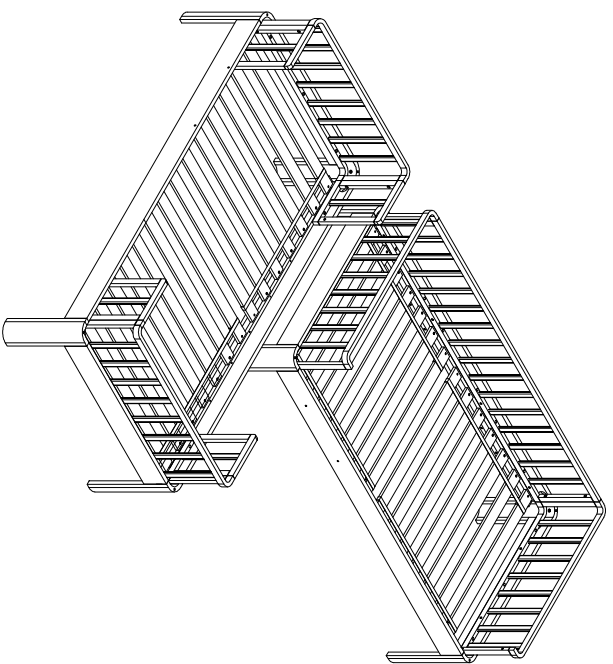
STEP 33  
COMPLETE ASSEMBLY FOR TODDLER BED.



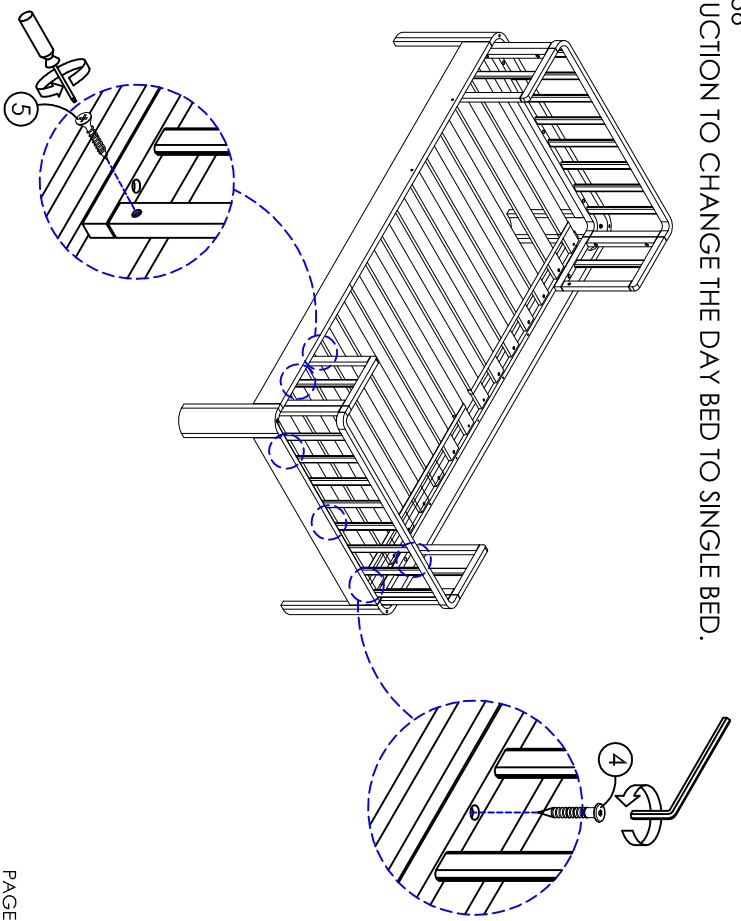
STEP 34  
INSTRUCTION TO CHANGE THE TODDLER BED TO DAY BED.



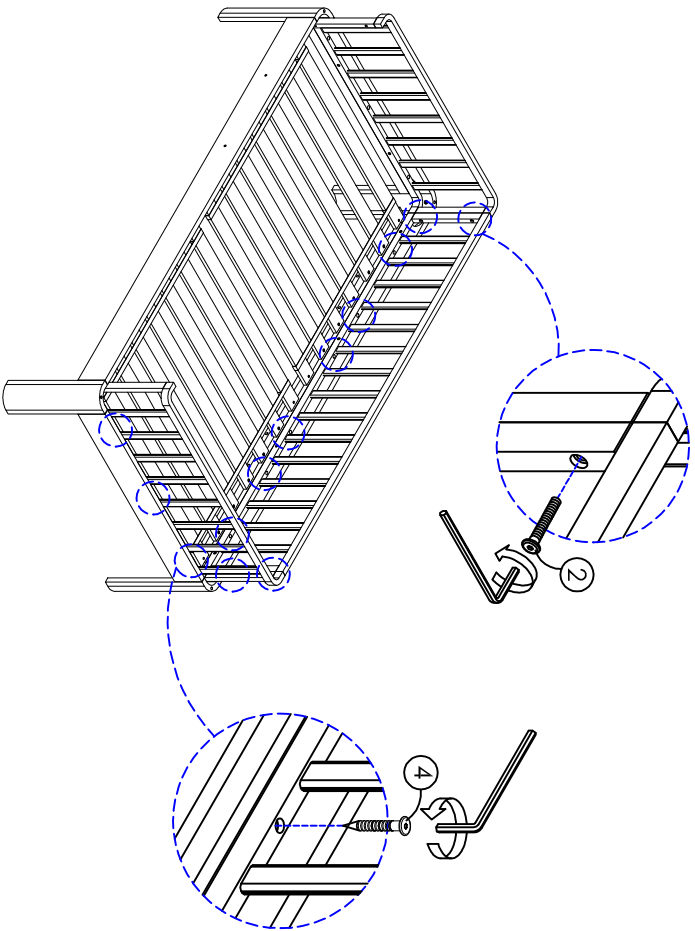
STEP 35  
COMPLETE ASSEMBLY FOR DAY BED.



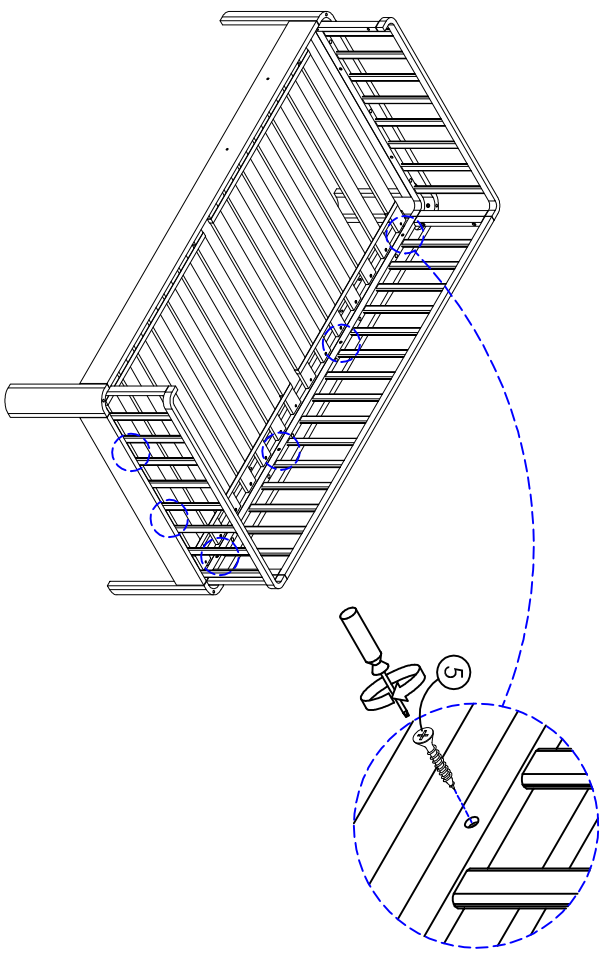
STEP 36  
INSTRUCTION TO CHANGE THE DAY BED TO SINGLE BED.



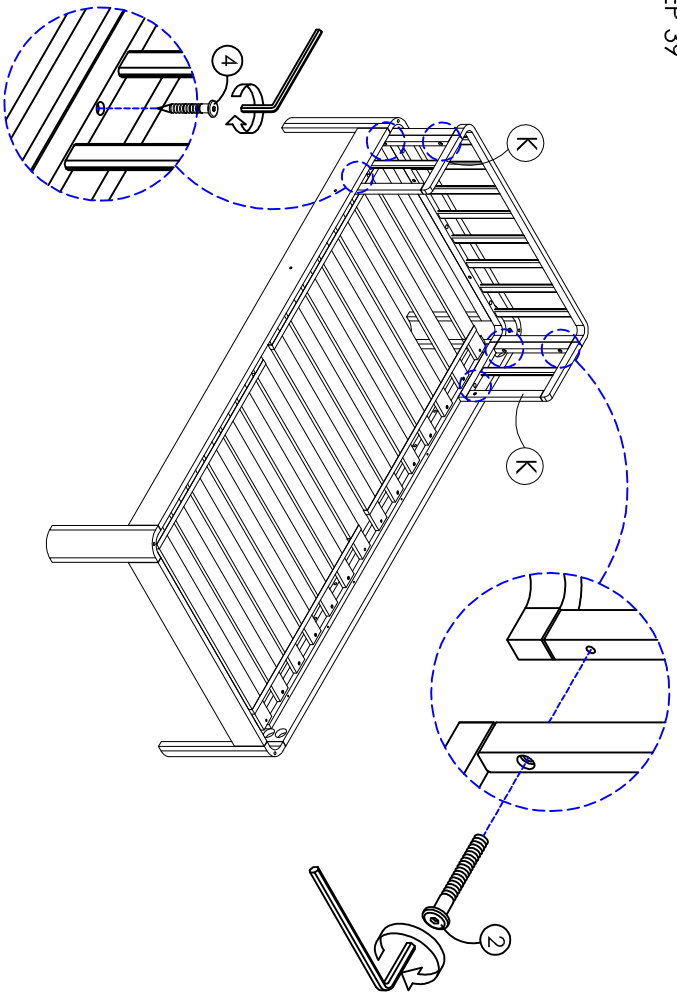
STEP 37



STEP 38



STEP 39



STEP 40

