



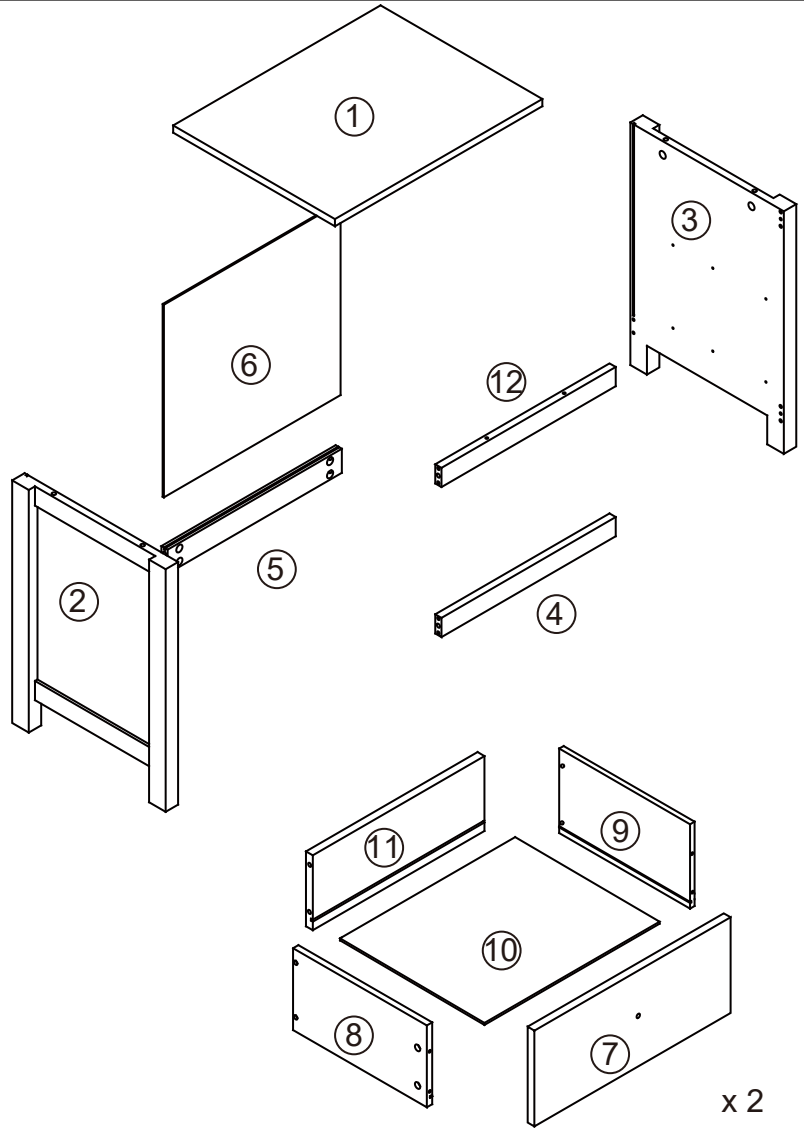
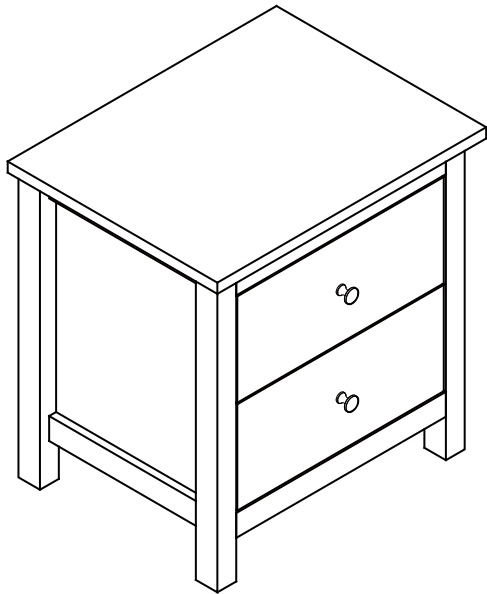
Read these instructions and follow steps carefully to ensure you assemble the product correctly and avoid damages. Check that all parts hardware have been provided before assembling the products. Place all contents on a clean, soft-flat surface to avoid scratching the product.

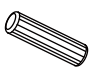
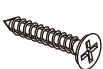
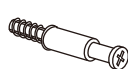


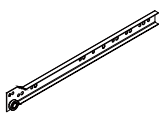
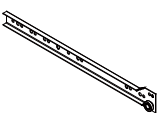
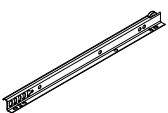
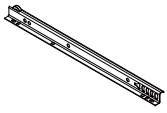

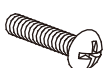
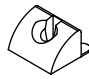









**CAUTION:**

Only tighten bolts to 80% at first. Once all parts have been assembled, fully tighten all hardware. To prevent damage to threads, do not use a power tool and do not over tighten bolts.

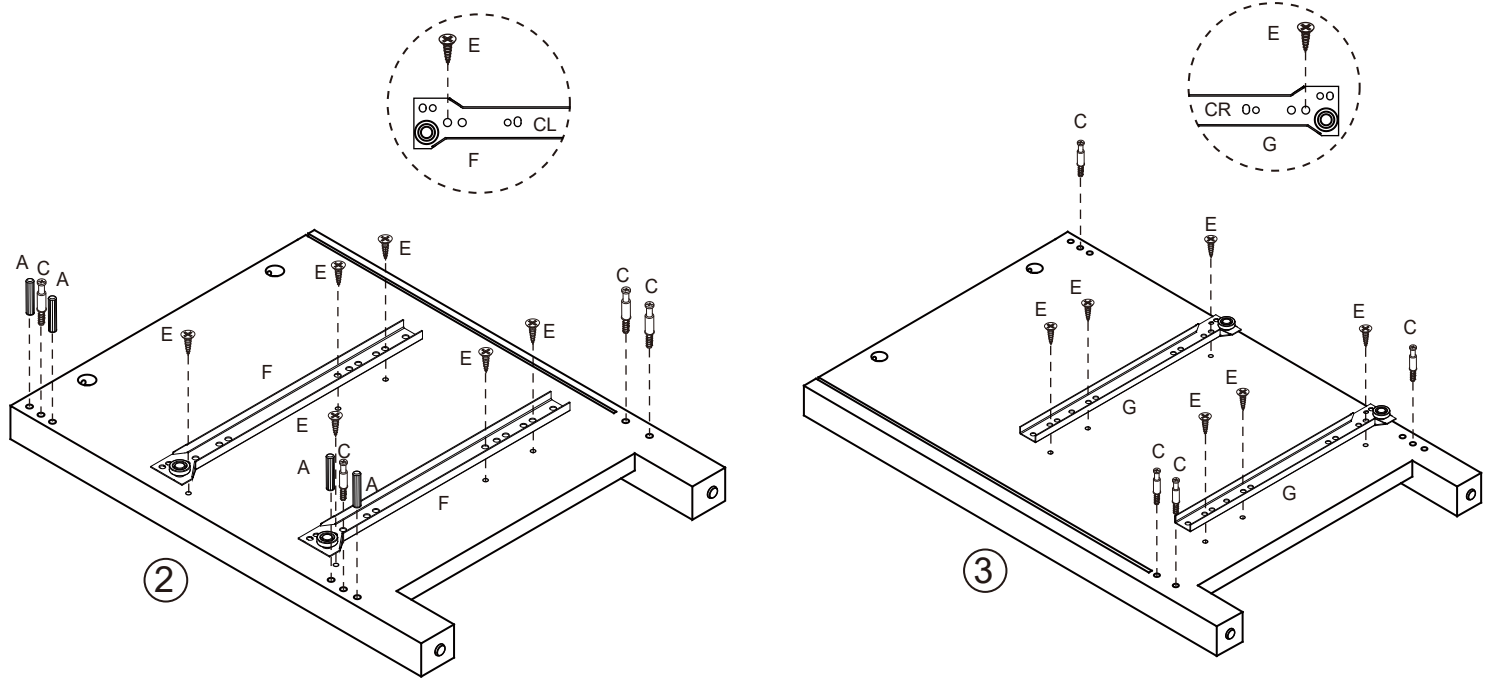
Use two people to lift and turn the product when assembling.

Do not attempt with only one person and do not roll on to legs. Keep all hardware and small parts away from children.



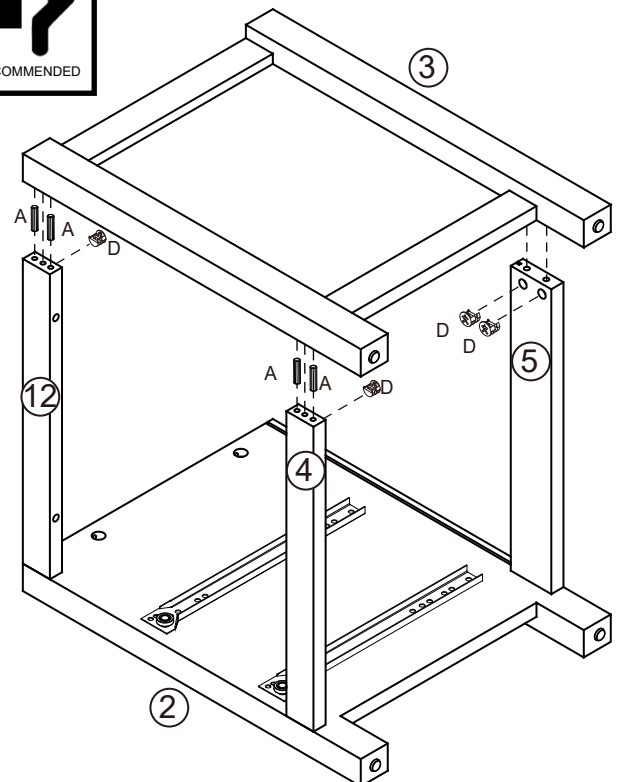
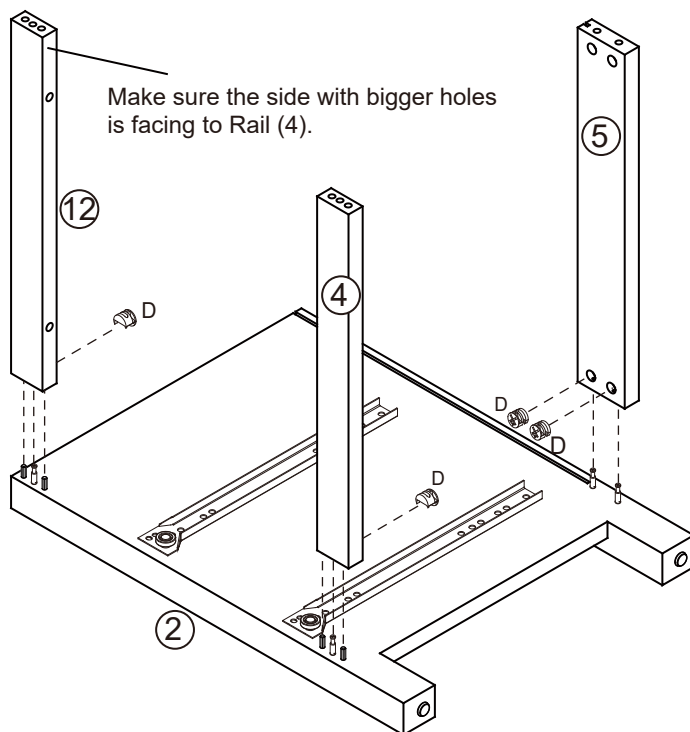
A 	B 	C 	D 	E 	F 	G 
8 PCS	8 PCS	20 PCS	20 PCS	20 PCS	2 PCS	2 PCS
H 	I 	J 	K 	L 	M 	N 
2 PCS	2 PCS	2 PCS	2 PCS	4 PCS	4 PCS	2 PCS
O 	P 	Q 	R 	S 	T 	U 
1 PCS	1 PCS	1 PCS	1 PCS	2 PCS	2 PCS	2 PCS

## Step 1:



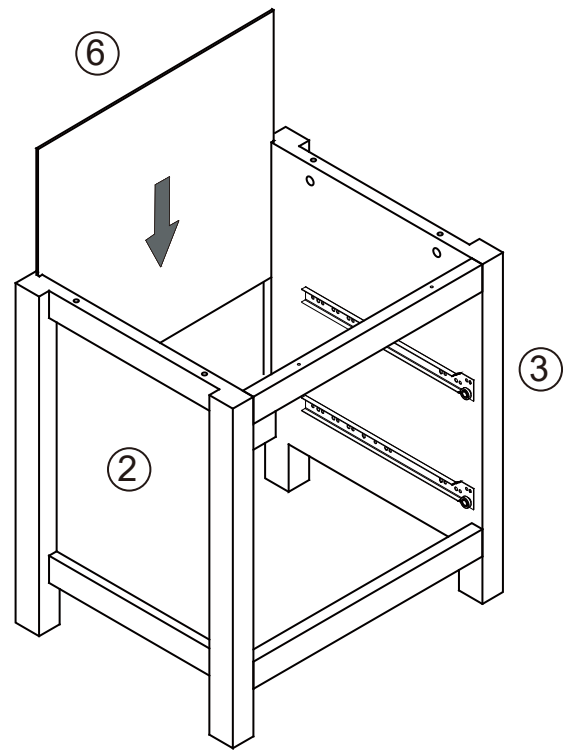
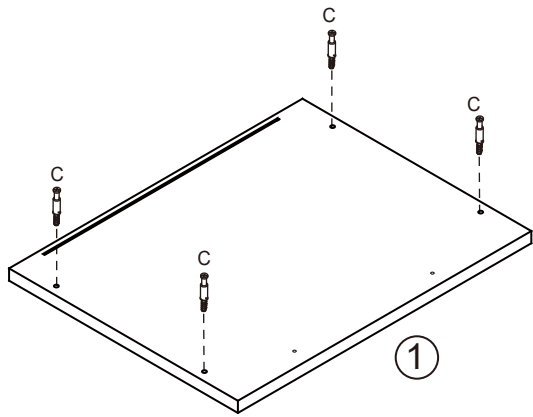
Attach 2 x CL & CR Runner Tracks (F,G) to Left & Right Side Panel (2, 3) with 12 x Small Screws (E). Insert 4 x Dowels (A) into Left Side Panel (2). Attach 4 x Cam Bolts (C) to Left Side Panel (2) as shown. Attach 4 x Cam Bolts (C) to Right Side Panel (3) as shown.

## Step 2:



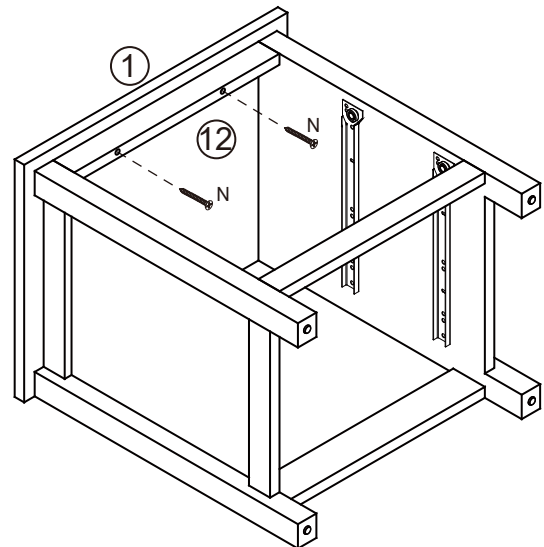
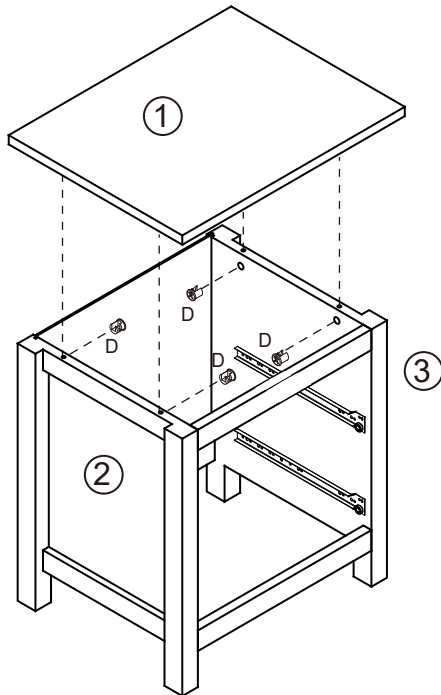
Insert 4 x Cam Nuts (D) into the holes of Rails (4, 5) and (12). Rotate the cam nuts so the arrows point towards the incoming cam bolts. Push Rails (4, 5) and (12) into place and tighten the cam nuts. Insert 4 x Dowels (A) into Rails (4,12). Insert 4 x Cam Nuts (D) into the holes of Rails (4,5) and (12). Rotate the cam nuts so the arrows point towards the incoming cam bolts. Push Right Side Panel (3) into place and tighten the cam nuts.

### Step 3:



Slide Back Panel (6) into the groove of Left Side Panel (2) and Right Side Panel (3). Attach 4 x Cam Bolts (C) into Top Panel (1) as shown.

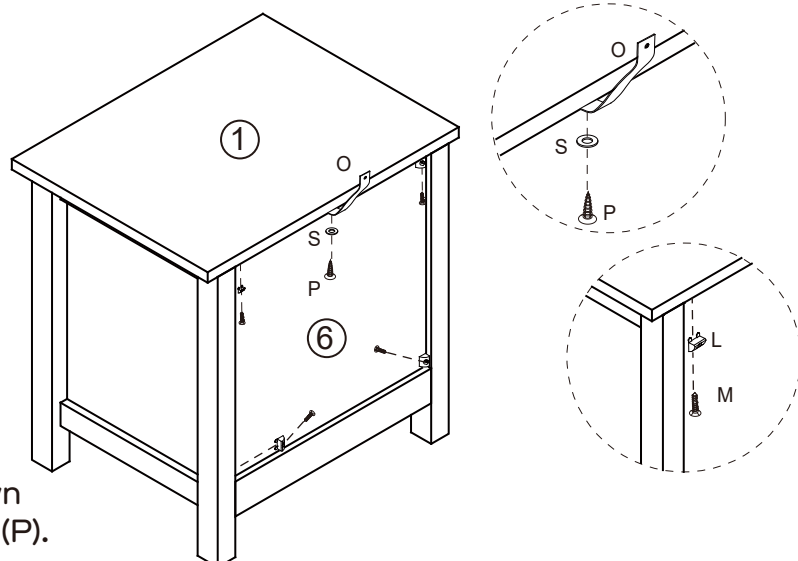
### Step 4:



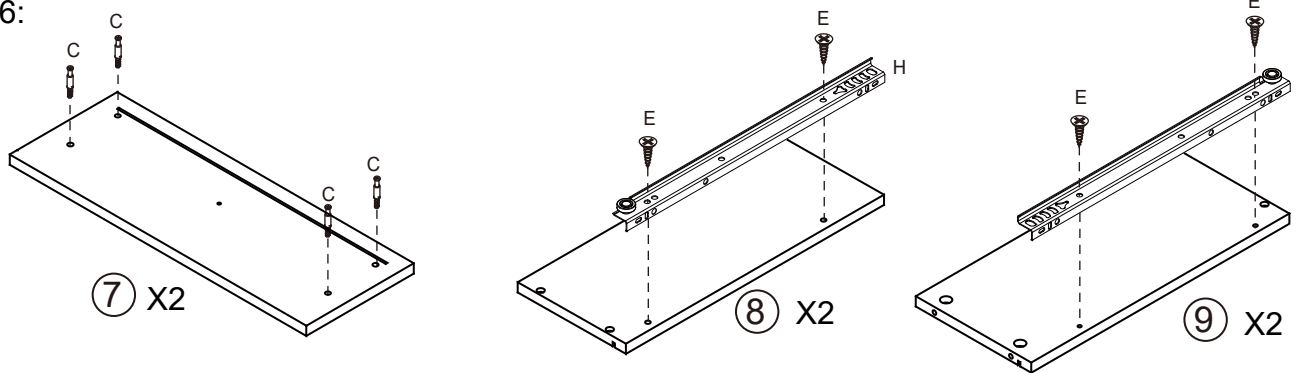
Insert 4 x Cam Nuts (D) into the holes of Side Panels (2) and (3). Rotate the cam nuts so the arrows point towards the incoming cam bolts. Attach Top Panel (1) and tighten the cam nuts. Attach Rail (12) to Top panel (1) with 2 x Long Screws (N).

### Step 5:

Secure Back Panel (6) in place with 4 x Wedges (L) using 4 x Screws (M). Attach 1x safety strap (O) to the top panel (1) of the back side of the unit as shown using 1x washer (S) and 1x screw (P).

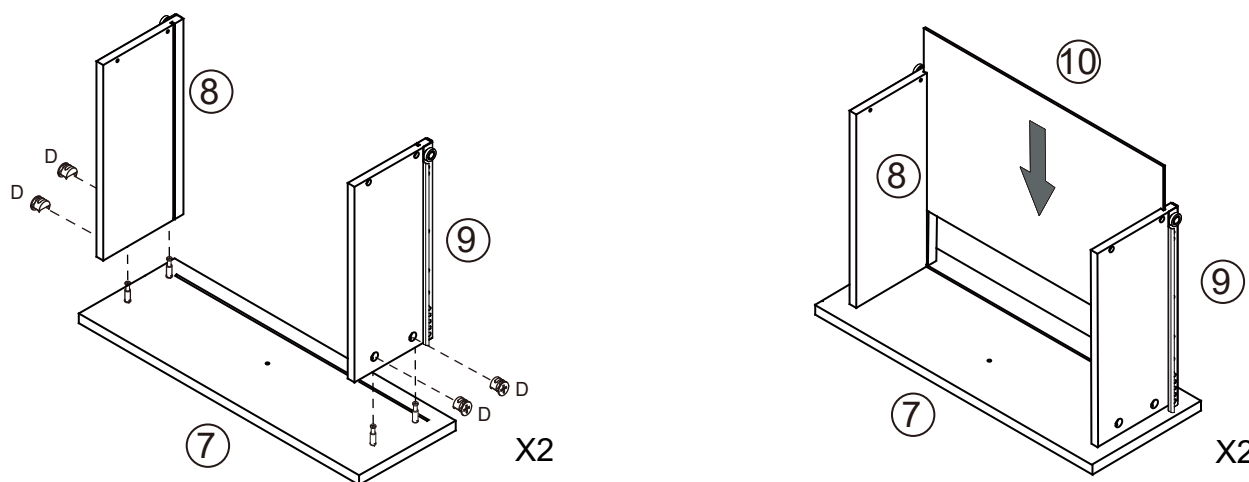


### Step 6:



Attach 4 x Cam Bolts (C) to Drawer Front (7). Attach 1 x DL Runner (H) to Left Drawer Side (8) and 1 x DR Runner (I) to Right Drawer Side (9) with 4 x Small Screws (E).

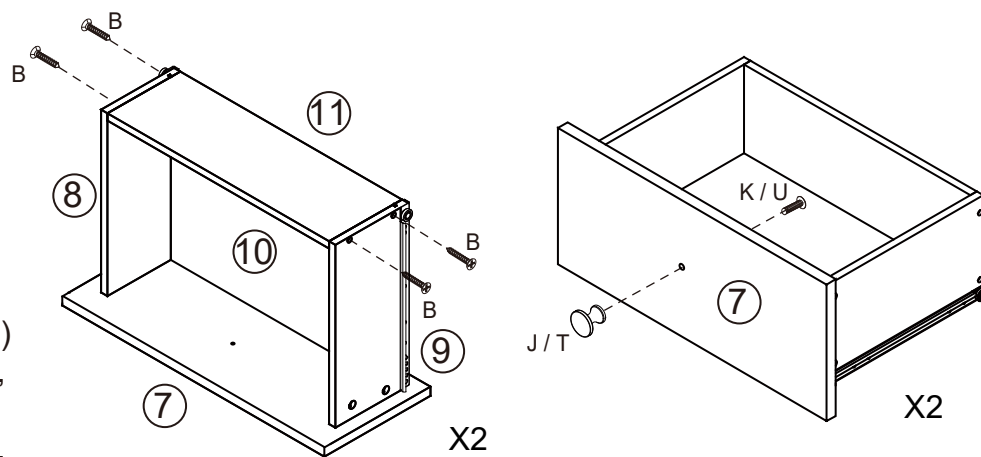
### Step 7:



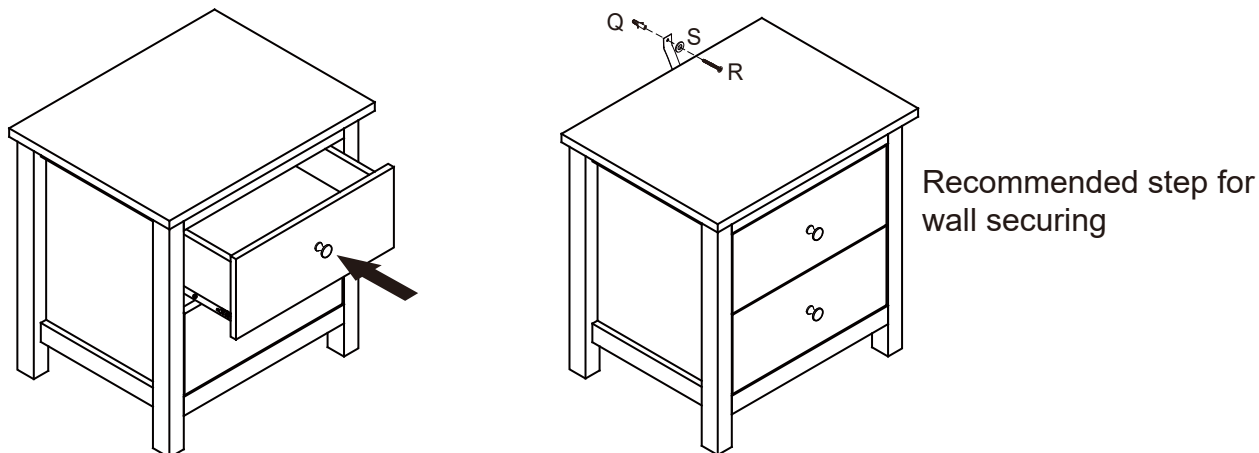
Insert 4 x Cam Nuts (D) into the holes of Drawer Sides (8) and (9). Rotate the cam nuts so the arrows point towards the incoming cam bolts. Push Drawer Sides (8) and (9) into place and tighten the cam nuts. Slide Drawer Base (10) into the groove in Drawer Sides (8) and (9).

### Step 8:

Attach Drawer Back (11) to Drawer Sides (8) and (9) with 4 x Medium Screws (B), make sure that the groove lines up the whole way around the drawer. 2 colour options available for handles, Attach 1 x Silver Handle (J) to Drawer Front (7) with 1 x Bolt (K), or Attach 1 x White Handle (T) to Drawer Front (7) with 1 x Screw (U).



### Step 9:



Recommended step for wall securing

Repeat Step 6 to Step 8 to assemble the other drawer. Then put the drawers into the chest. Fasten the safety strap to your wall using appropriate fixings for your wall type. If you are unsure, please seek professional advice on how to attach this safety strap to your specific wall.



# WARNING

**It is STRONGLY RECOMMENDED that you ANCHOR this product.**

Toppling furniture can cause serious injuries and death.

This product has been provided with an anchor strap. To prevent your furniture from tipping forward it is strongly recommended that you securely attach this product to a wall or other solid surface, using the anchor strap provided and appropriate fixings.

## IMPORTANT:

Regularly check that anchors are securely maintained.

Stability of tall items may be affected by thick pile carpet or uneven floors.

## CAUTION:

- For your safety when attaching the anchor fixings, please note the following:  
Check for any electrical wires or plumbing inside the wall before drilling any holes (if you are unsure please seek professional advice from a qualified tradesperson)
- Walls are constructed from different materials, for example, masonry (solid brick) or plasterboard lined cavity walls (hollow). It is important that you use the appropriate wall fixings for your wall type.
- Your local hardware store will have the necessary drills and fixings and can offer advice if needed. If in doubt, engage the services of a qualified tradesperson to install and anchor the product.