

ASSEMBLY INSTRUCTIONS

ANOSVBKF

Read these instructions and follow the steps carefully to ensure you assemble the product correctly and avoid damage.
 Check that all parts and hardware have been provided before assembling the product.
 Place the product on a clean, soft, flat surface to avoid scratching the product.




Caution:

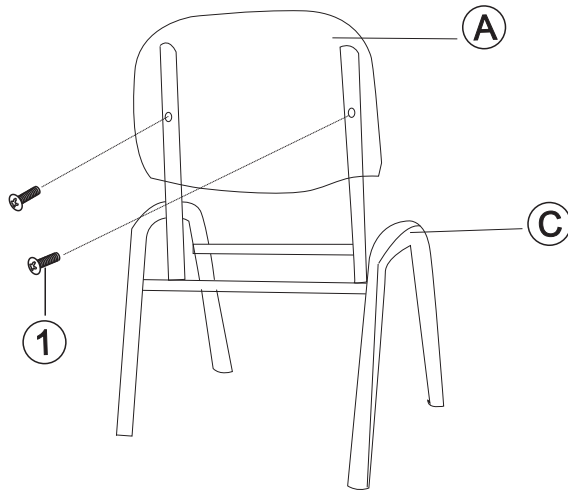
Only tighten bolts to 80% at first unless otherwise specified in the instructions. Once all parts have been assembled, you may fully tighten all hardware.
 To prevent damage to threads, DO NOT use a power tool and do not over tighten bolts.
 Use two people to lift and turn the product when assembling and do not roll the product onto the legs.
 Keep all hardware, small parts and packaging away from children.



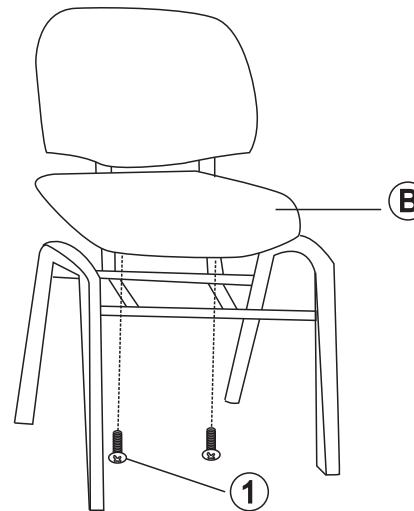
PART LIST		
ITEM	DESCRIPTION	QTY
A	BACKREST	1
B	SEAT	1
C	BASE	1

HARDWARE LIST		
ITEM	DESCRIPTION	QTY
①	SCREWS (M6X30mm) 	4

STEP 1:



STEP 2:



STEP 3:

