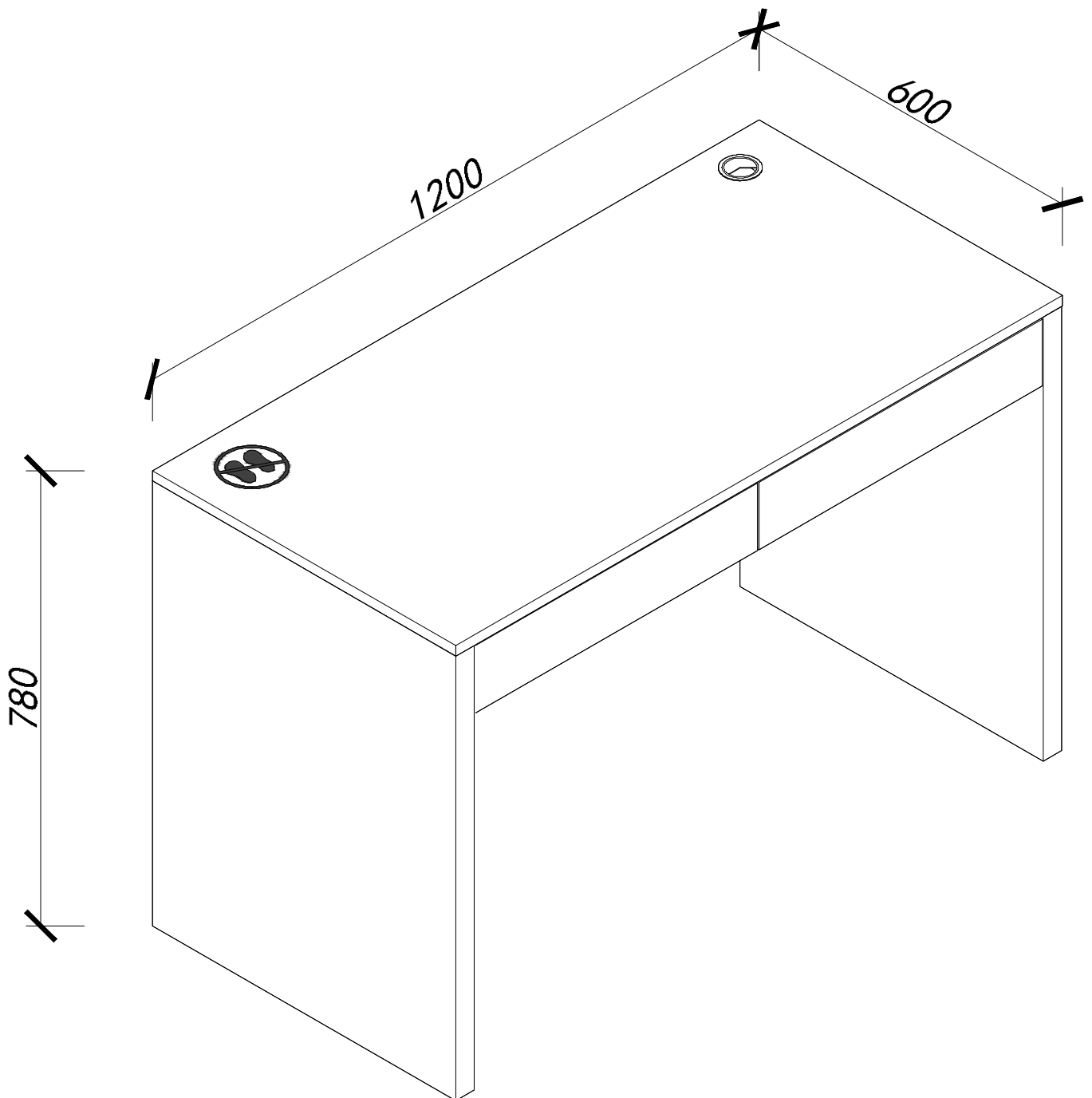


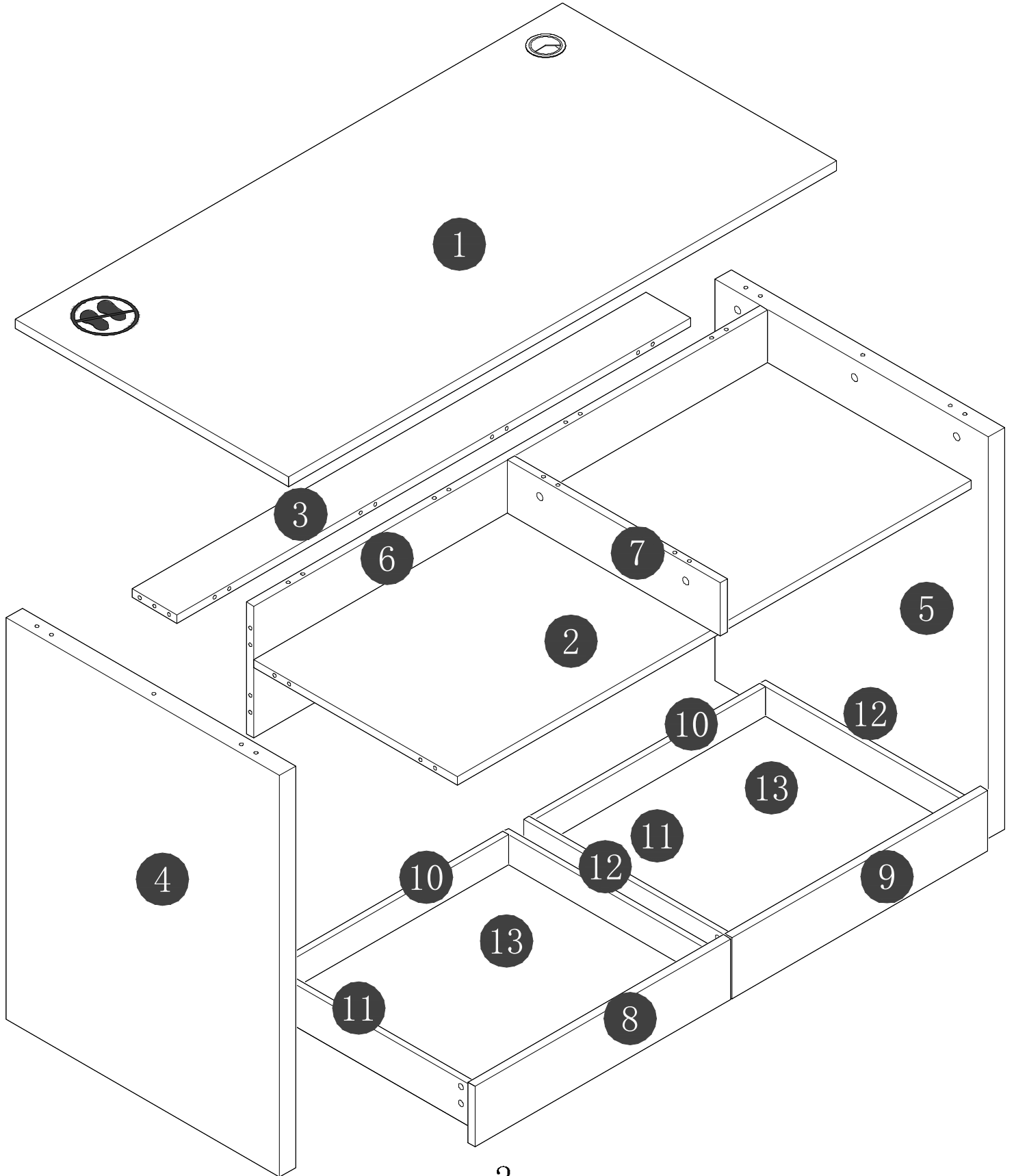
TEMPLE & WEBSTER

Assembly Instruction



Panel No	Panel Sizes	Quantity
1	1200*600*18	1
2	1126*446*16	1
3	1126*98*16	1
4	762*599*36	1
5	762*599*36	1
6	1126*250*16	1
7	101*466*16	1

Panel No	Panel Sizes	Quantity
8	560*115*16	1
9	560*115*16	1
10	505*80*12	2
11	450*80*12	2
12	450*80*12	2
13	515*448*5	2



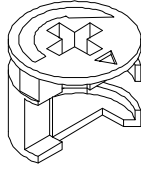
Fittings



A=30



B=32



C=30



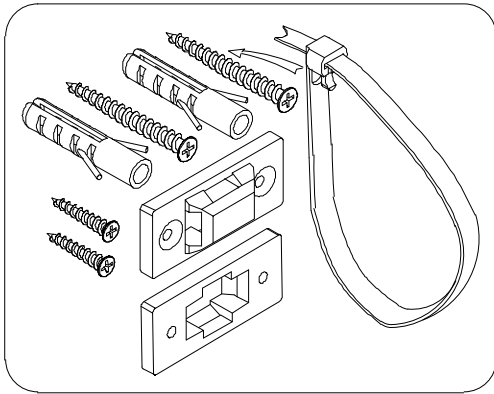
D=30



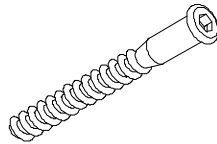
O=16



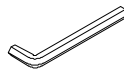
P=16



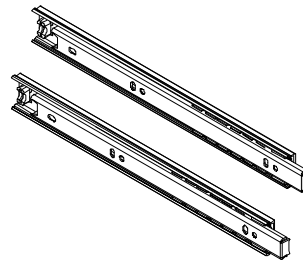
F=1



Q=2



H=1

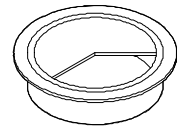


N=2



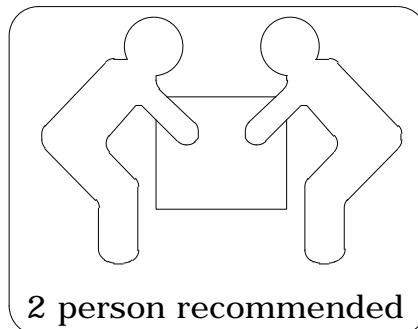
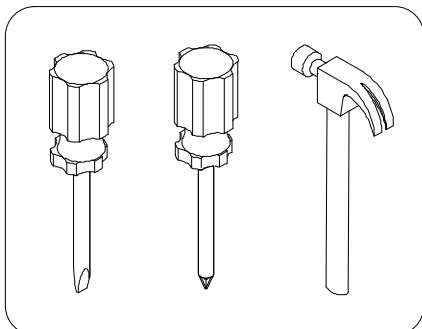
M3.5*12

V1=16



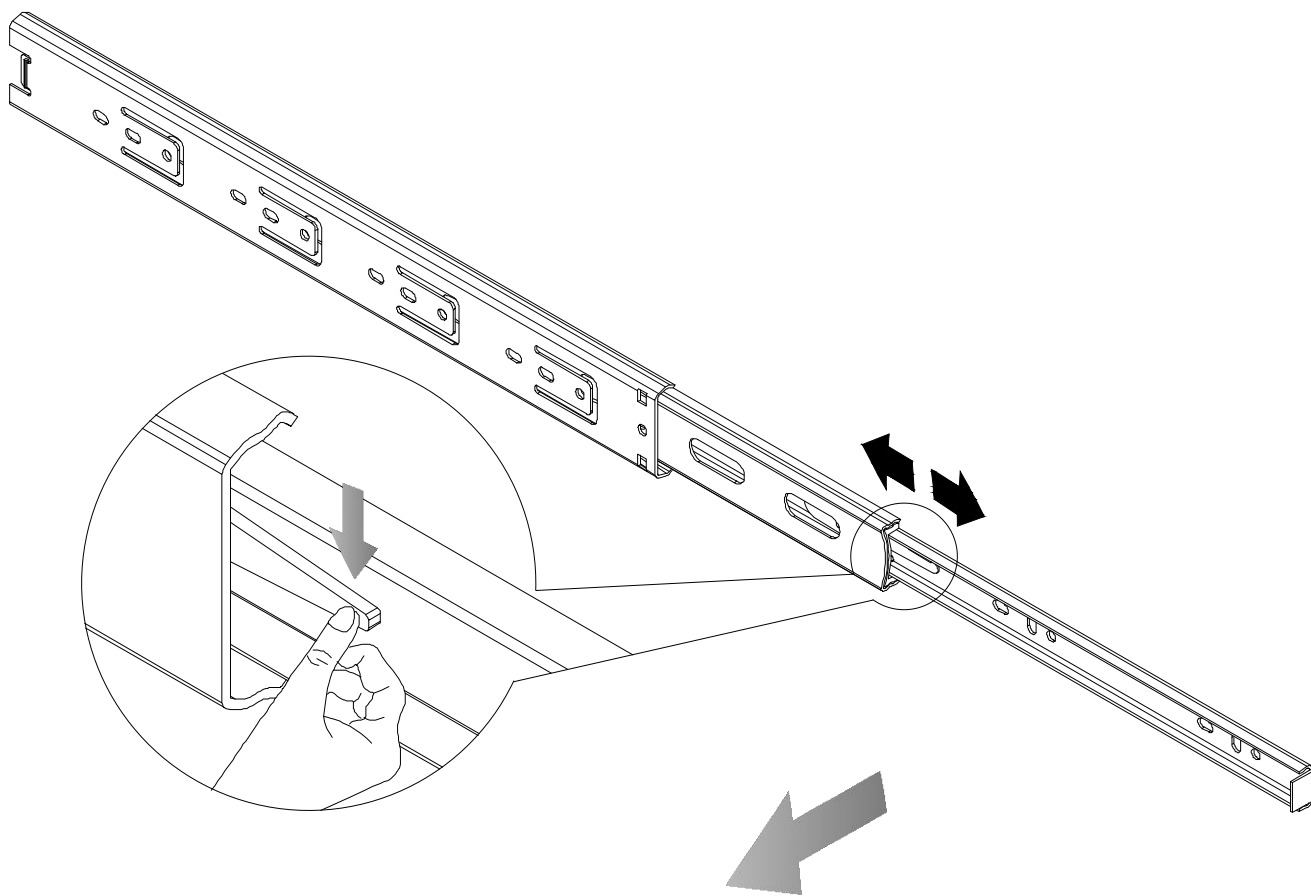
Y=1

Tools Needed

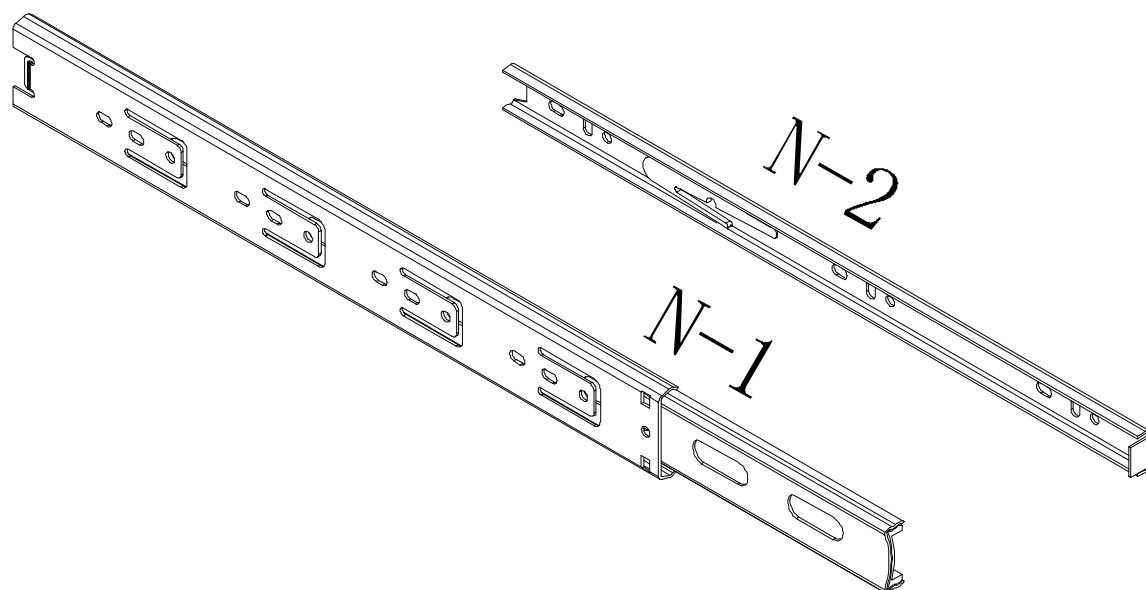


2 person recommended

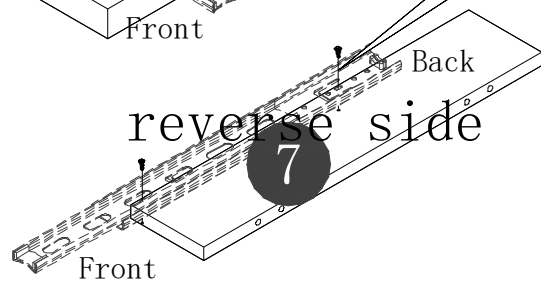
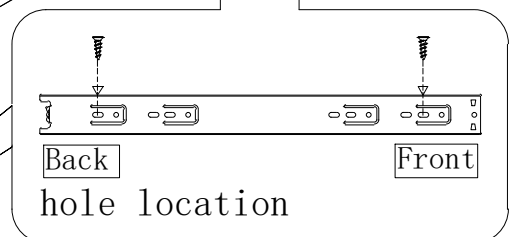
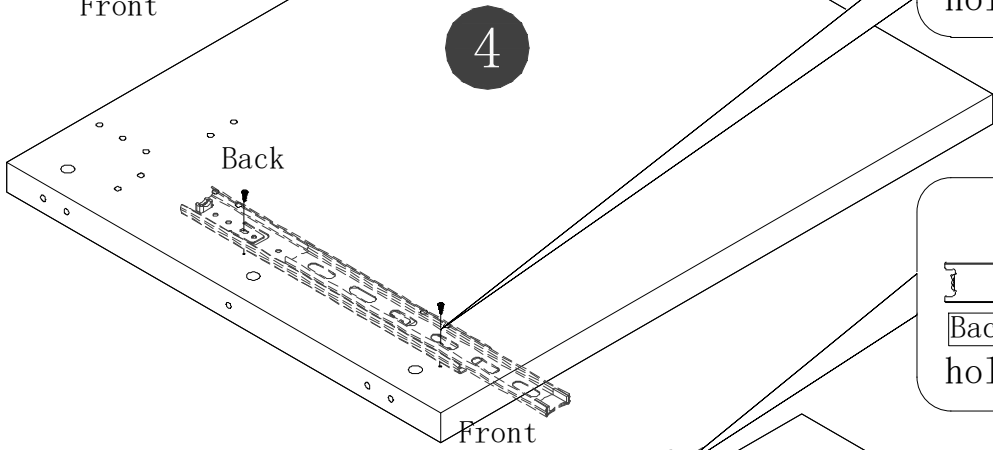
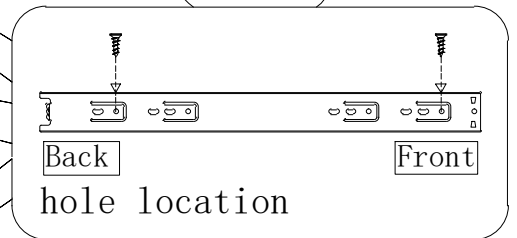
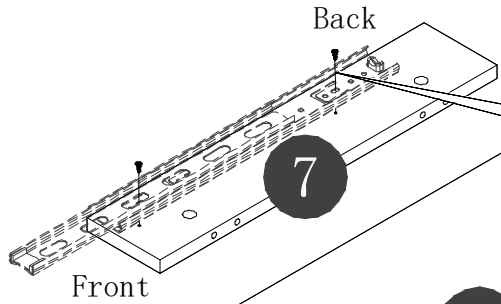
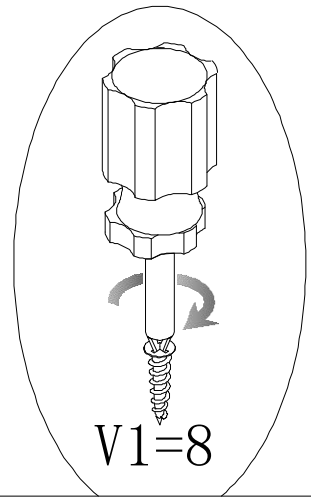
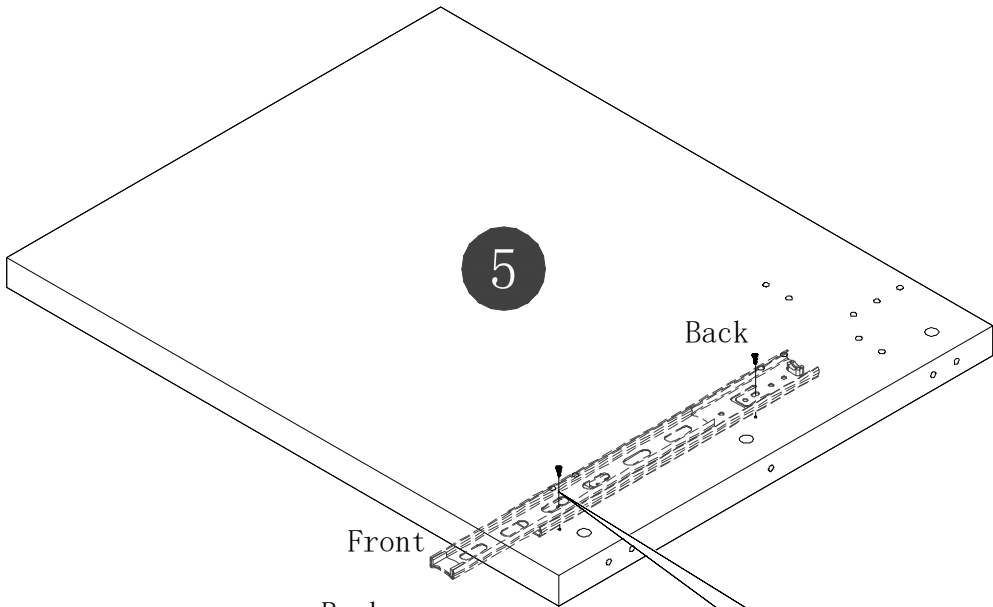
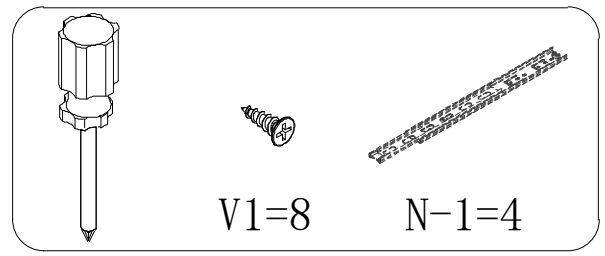
STEP 1 Separate the drawer runners



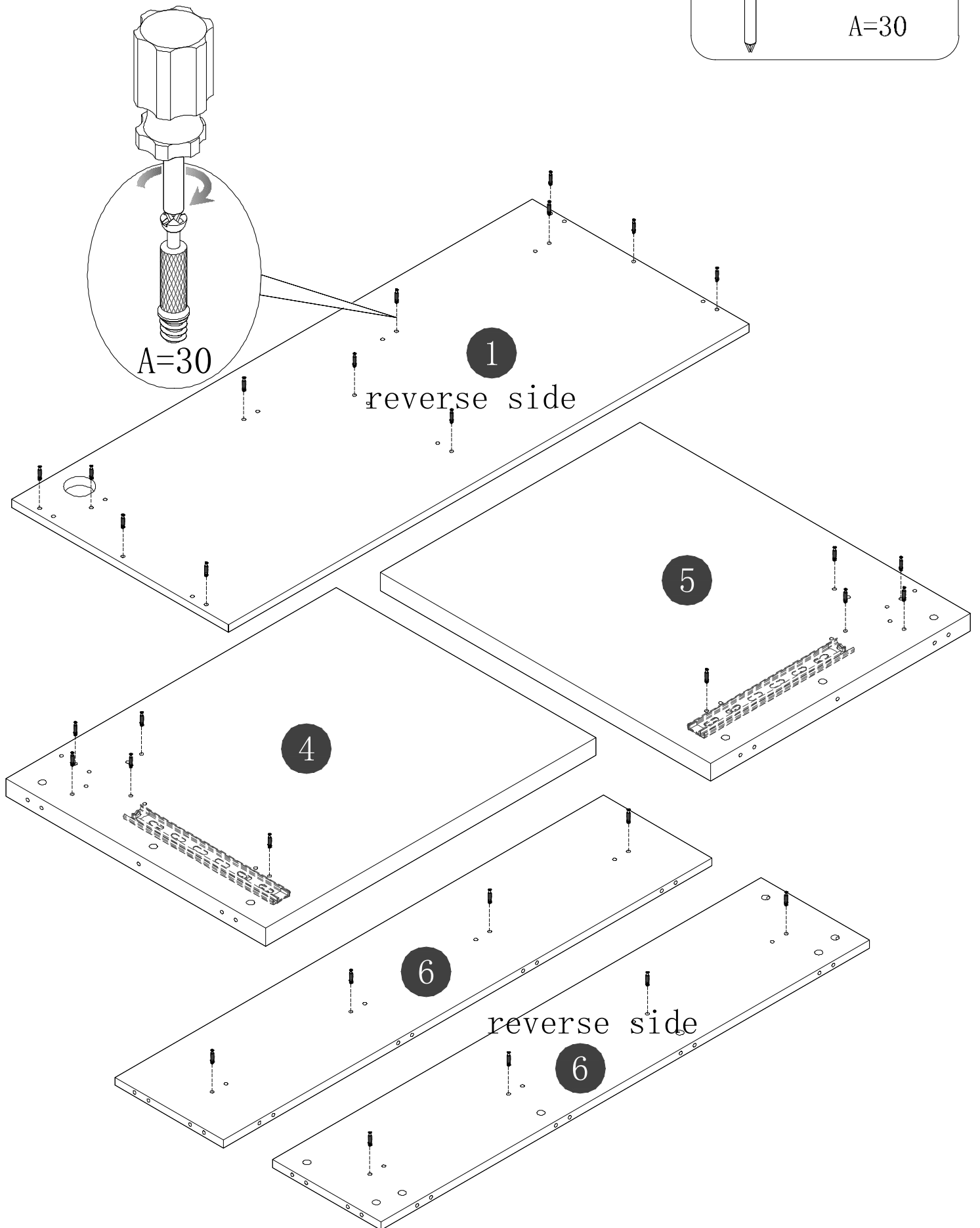
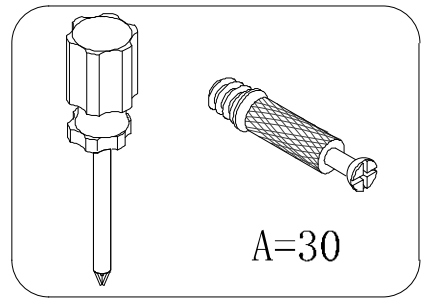
Push down the small lever and pull the two pieces apart



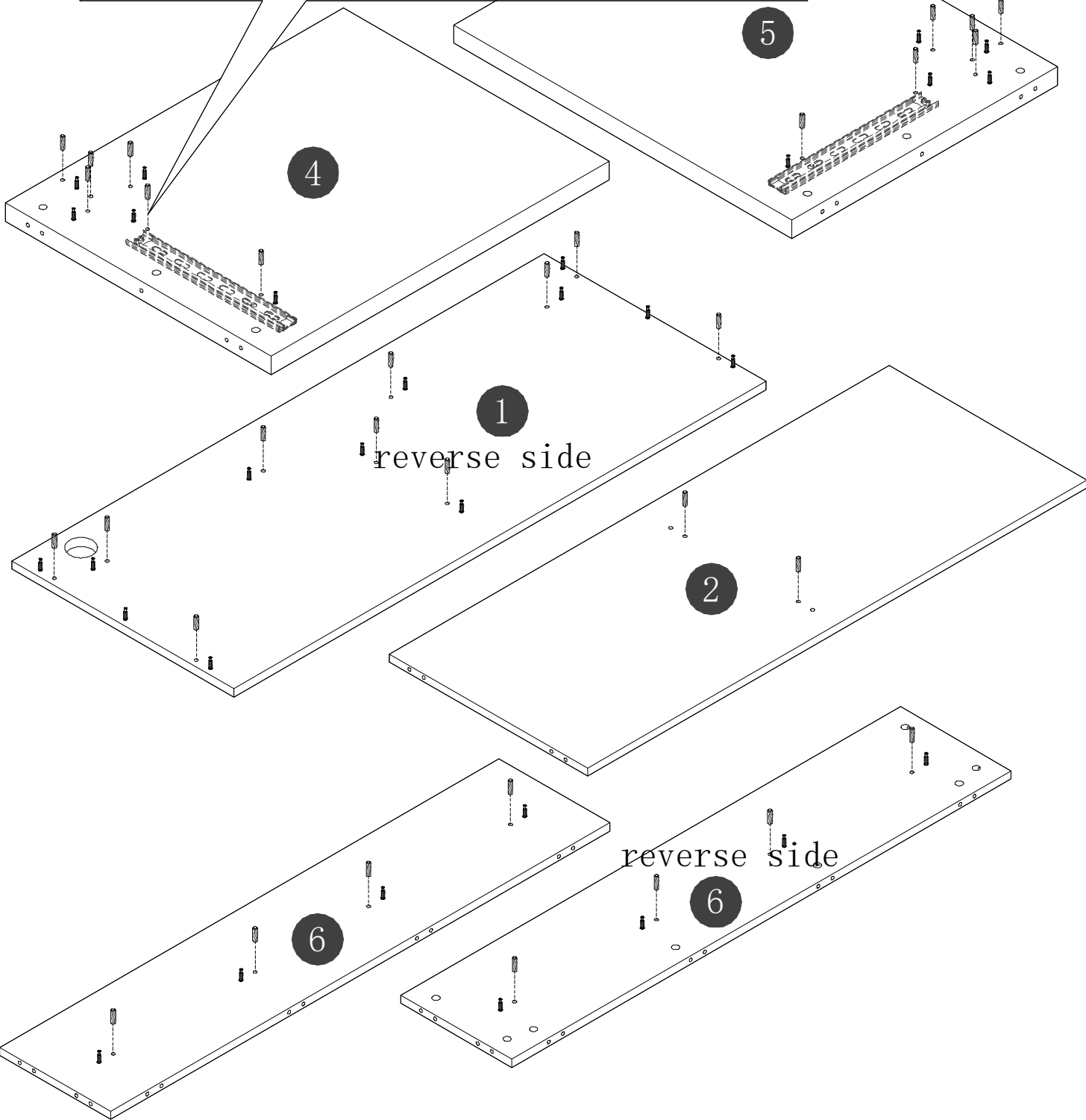
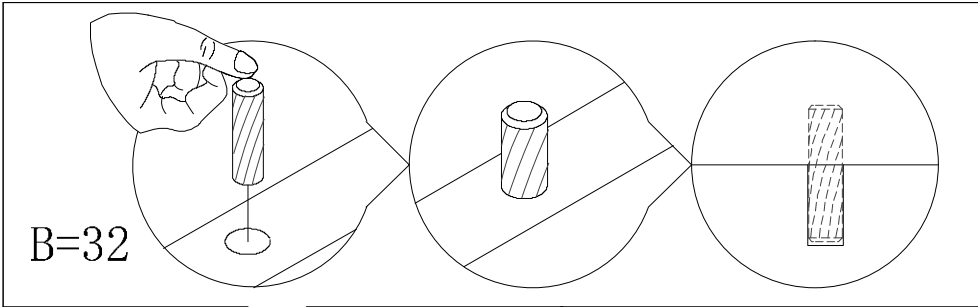
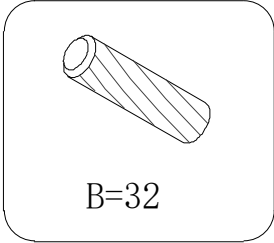
STEP 2



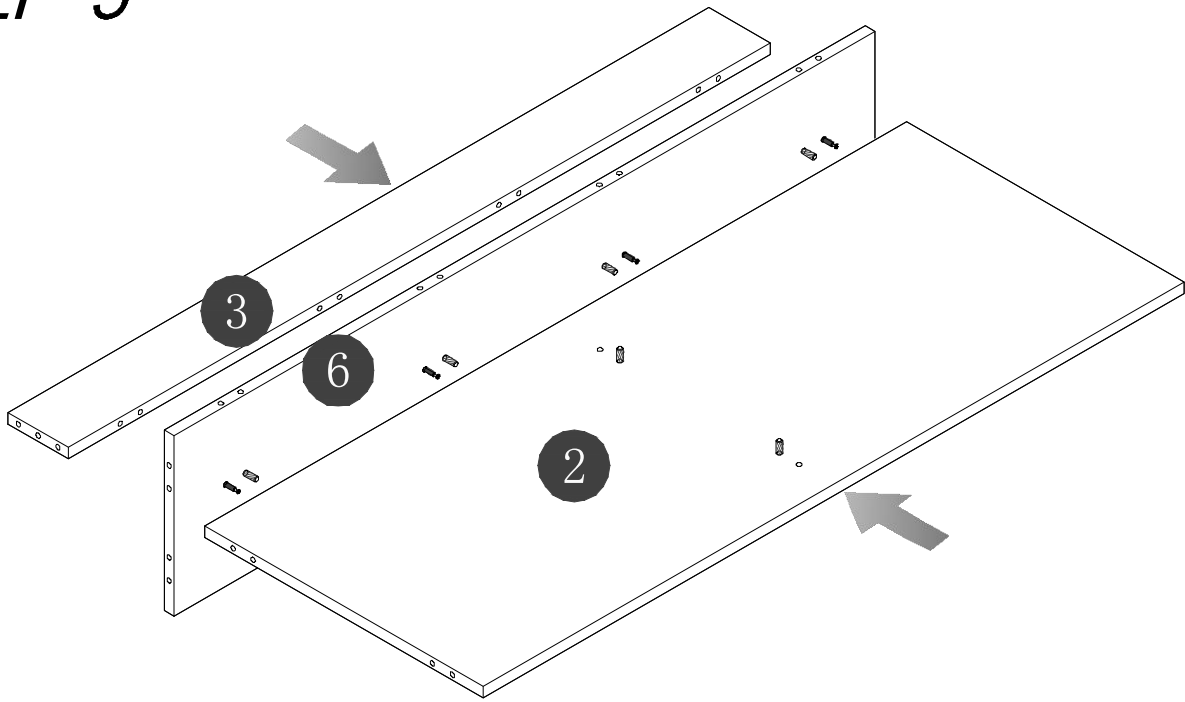
STEP 3



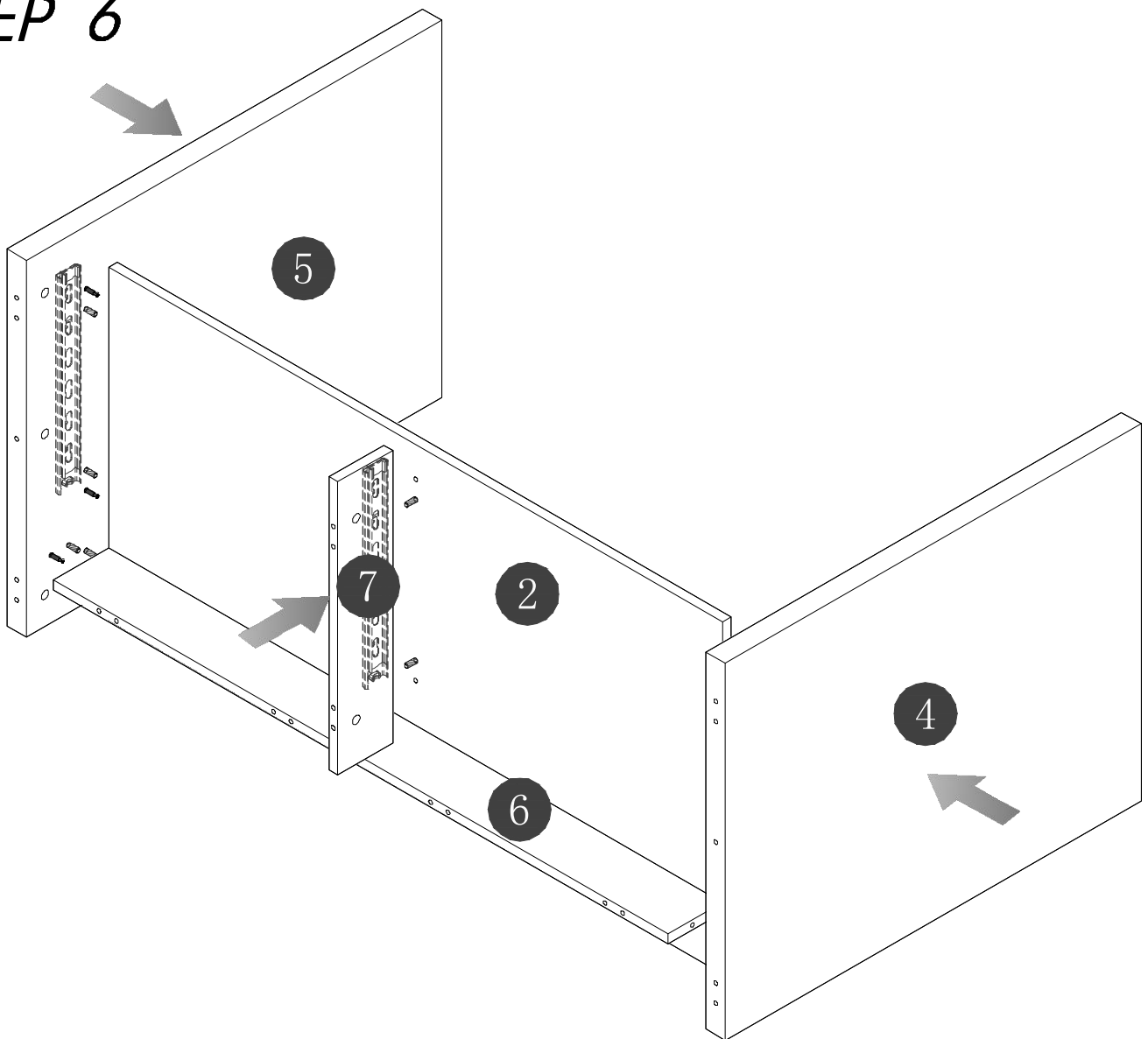
STEP 4



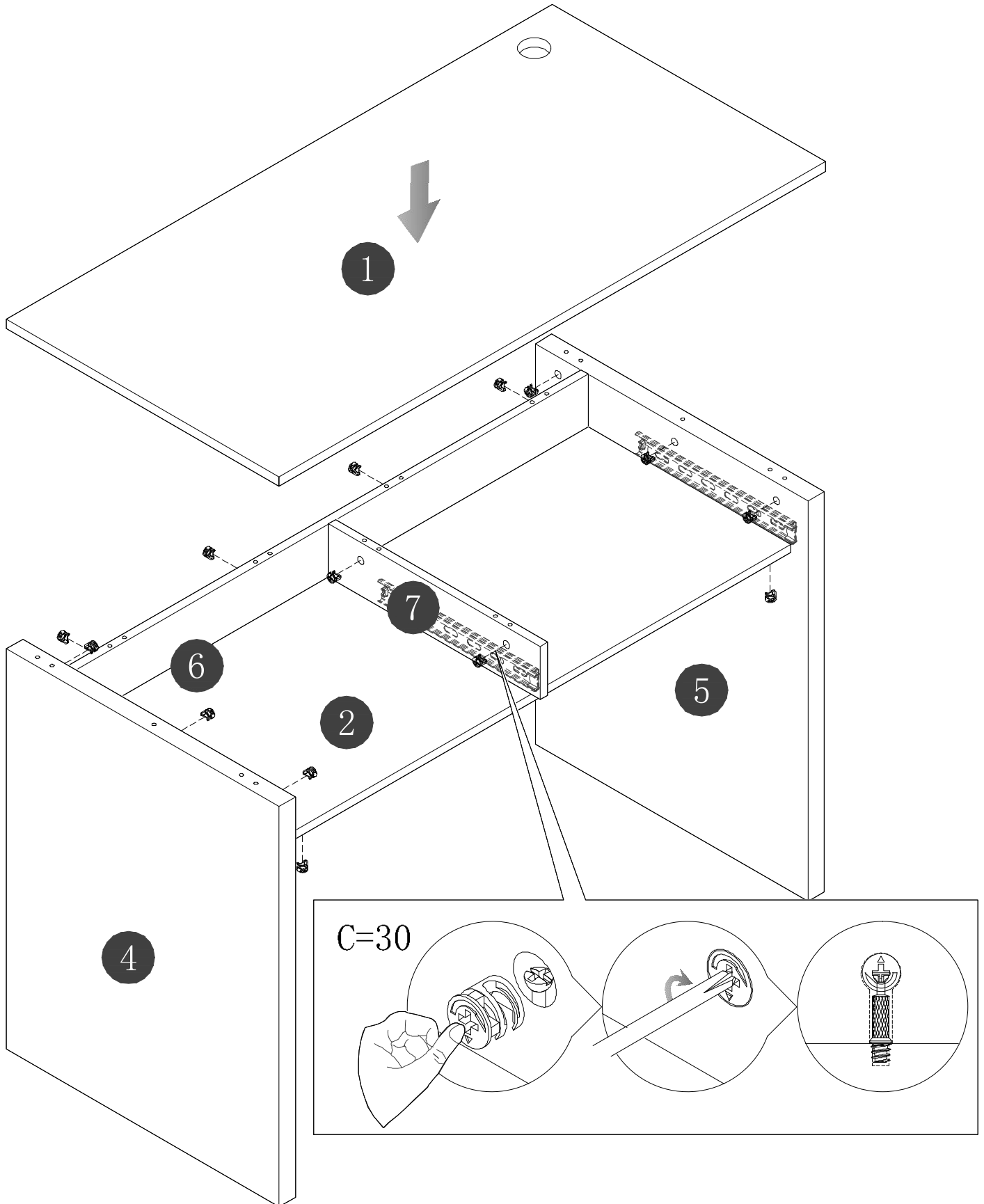
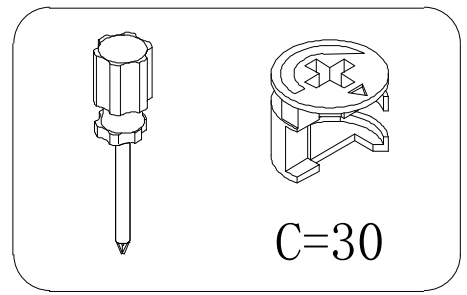
STEP 5



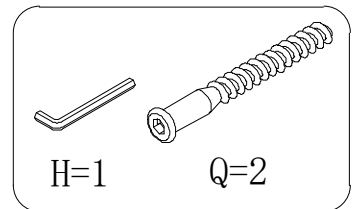
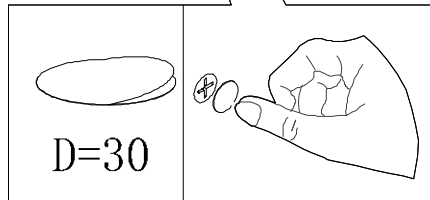
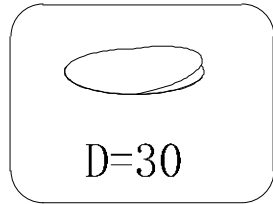
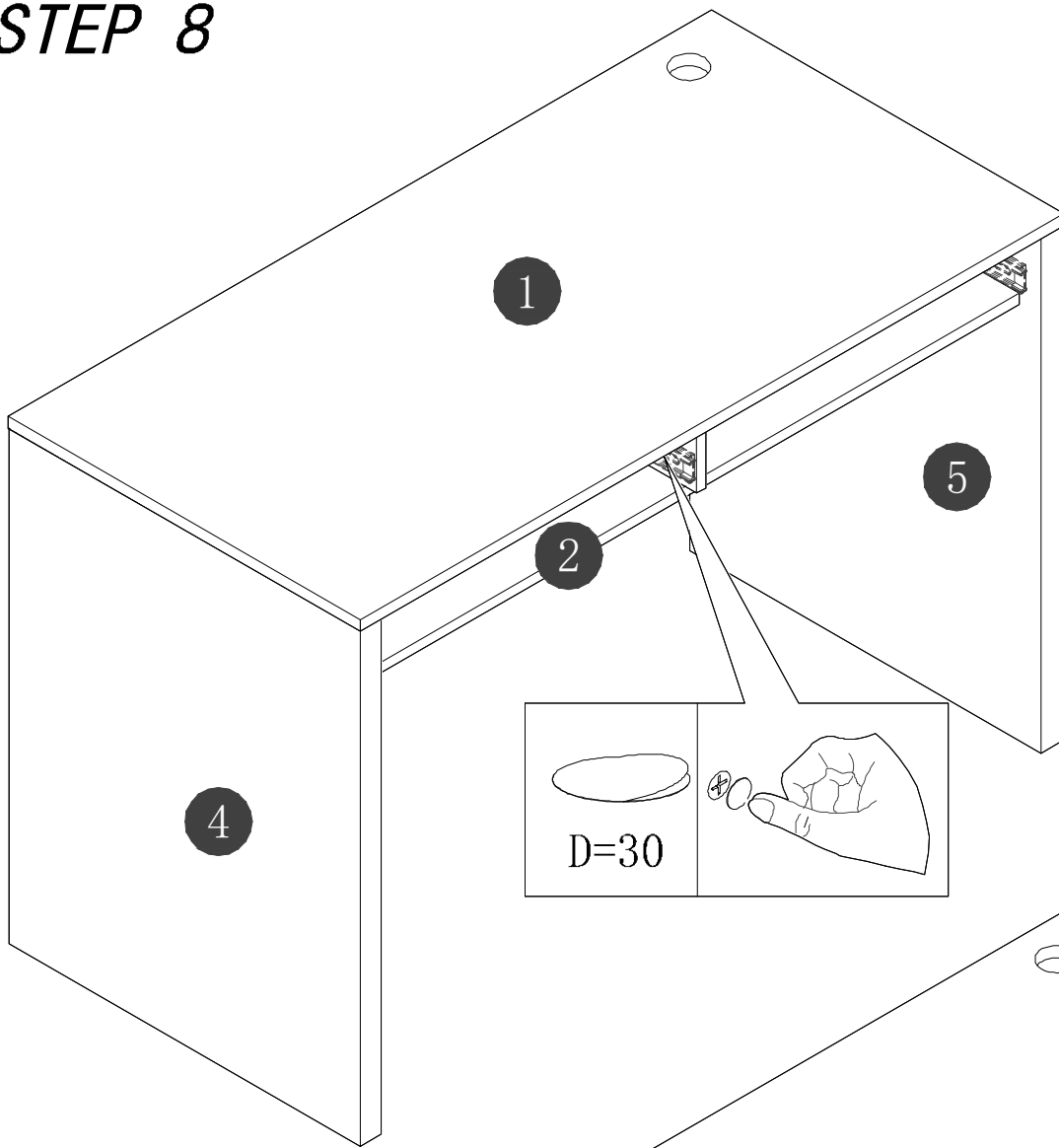
STEP 6



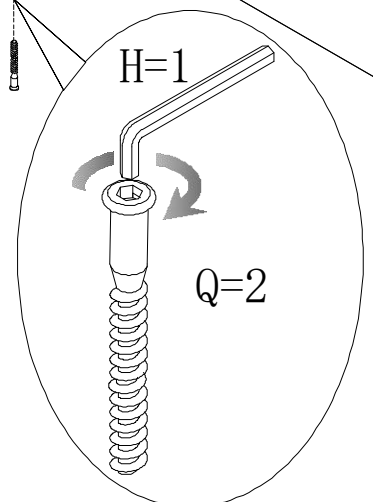
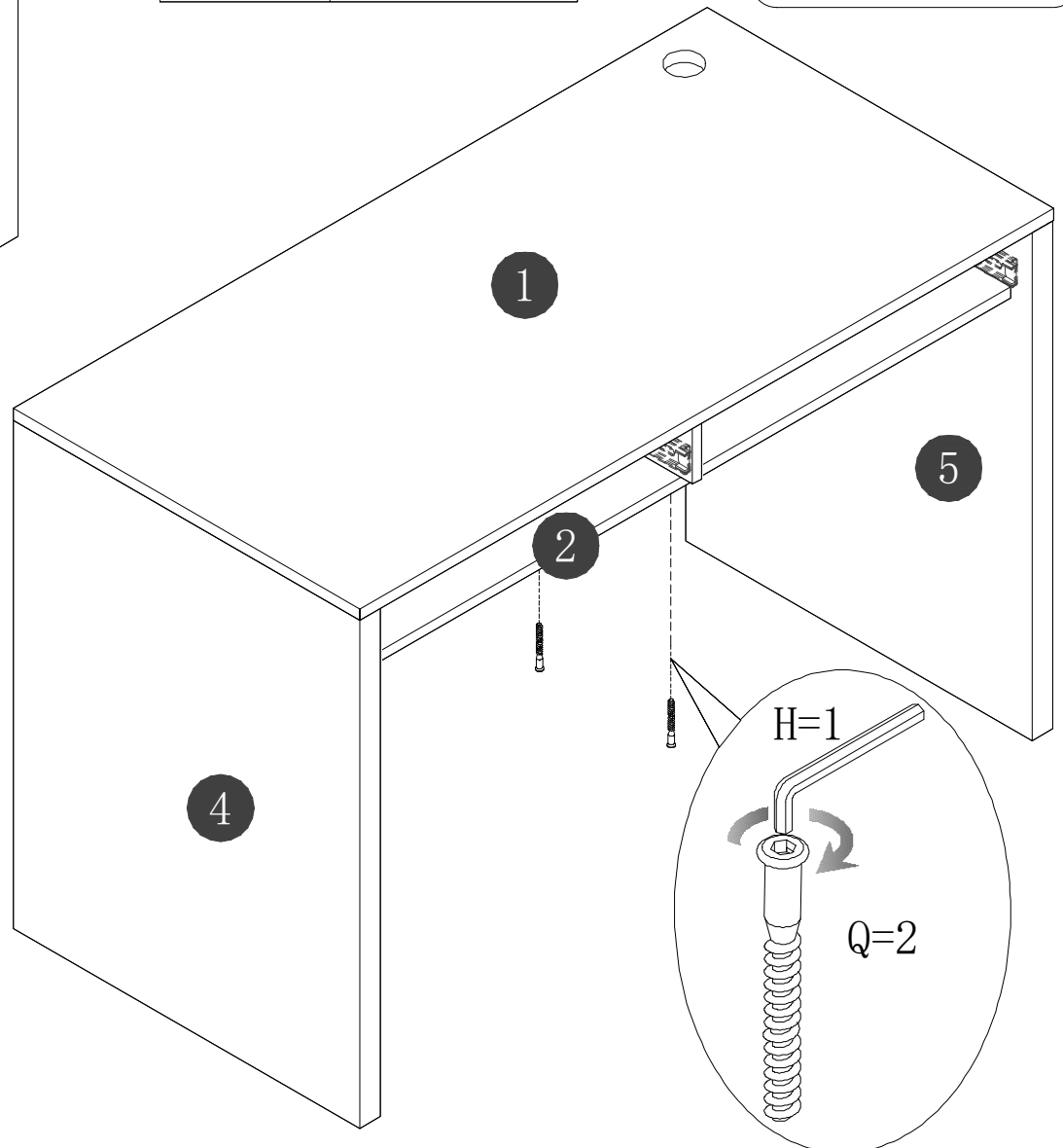
STEP 7



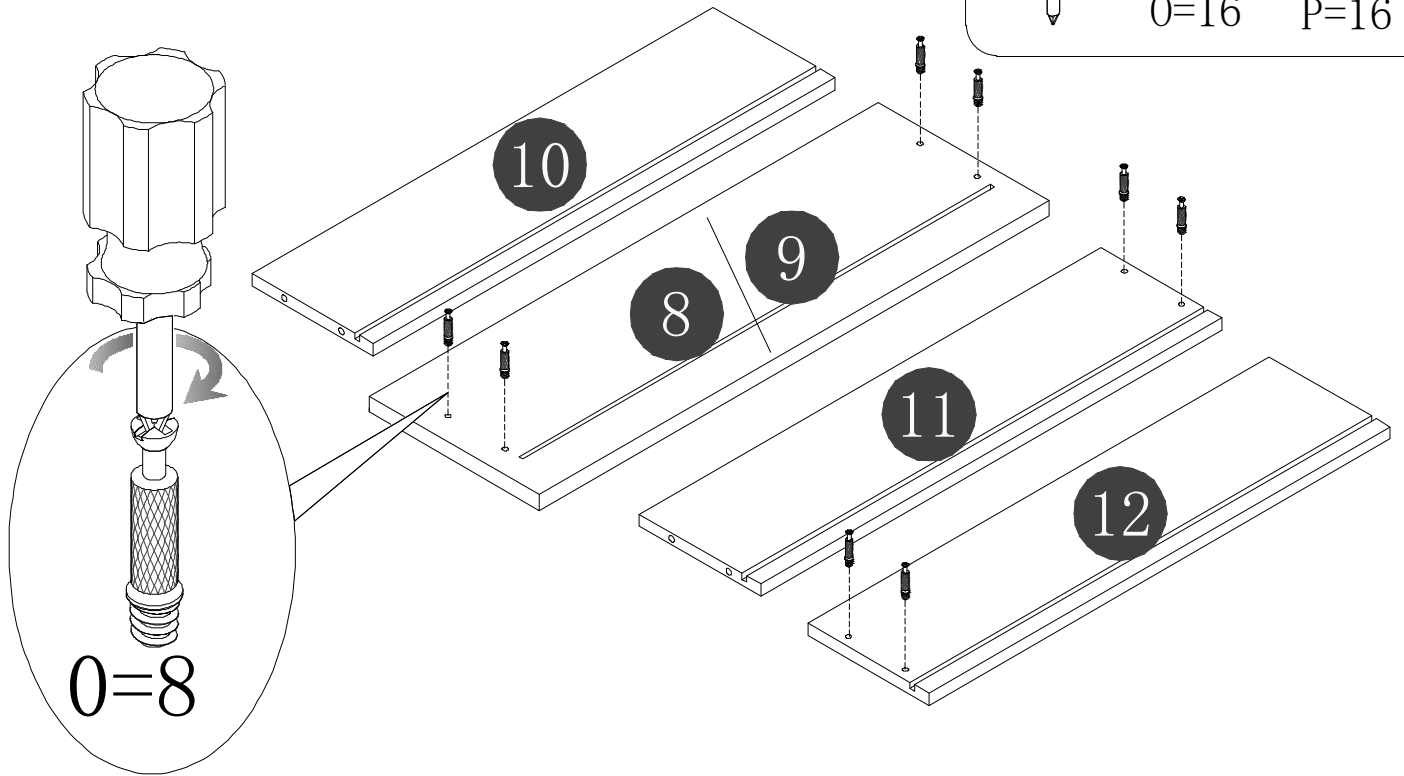
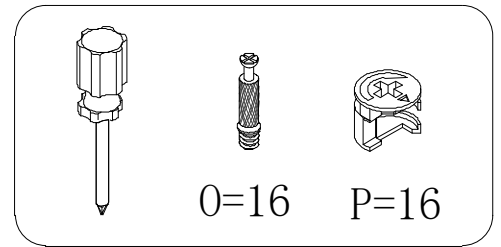
STEP 8



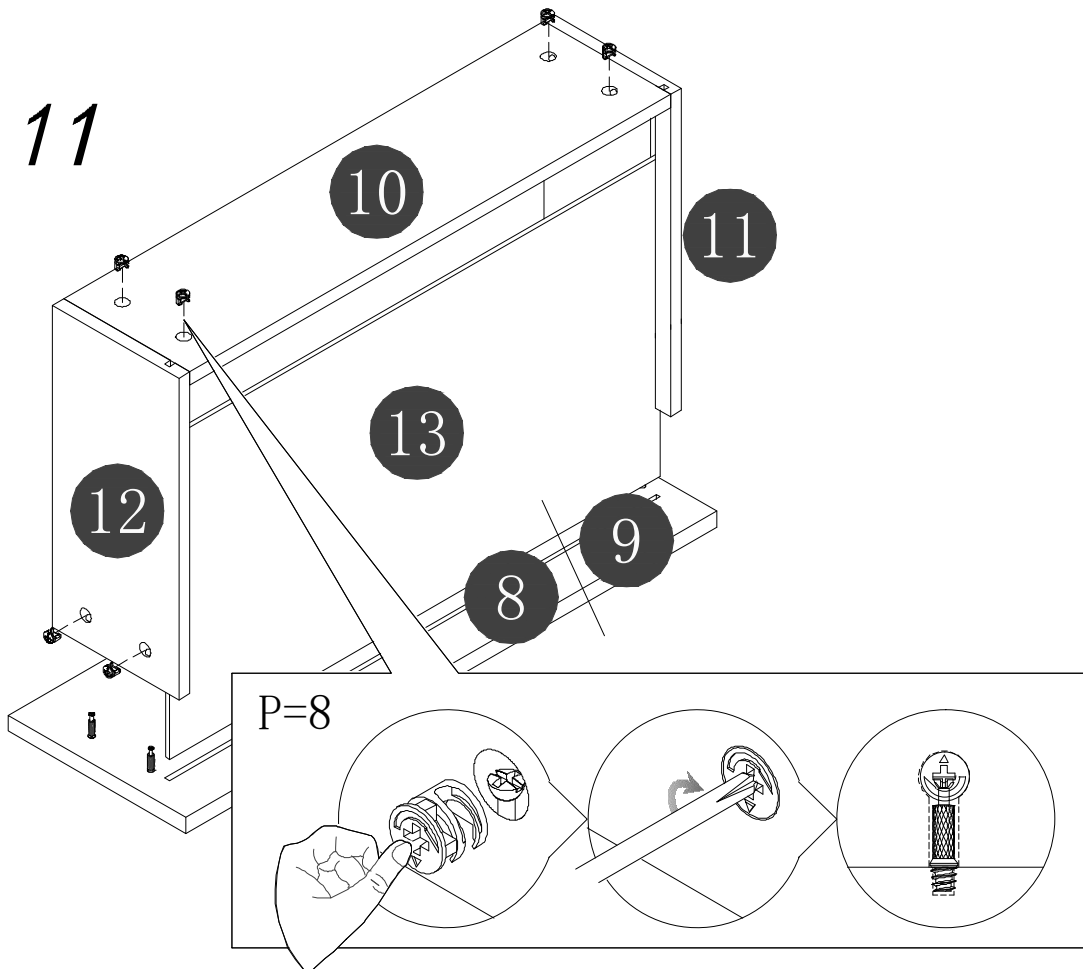
STEP 9



STEP 10

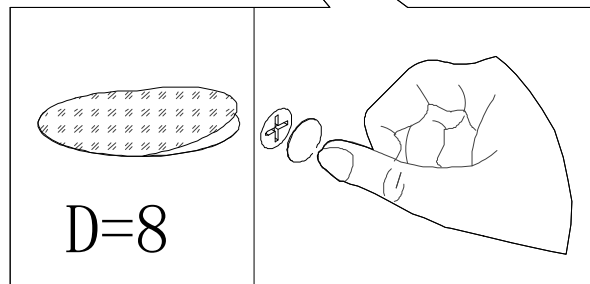
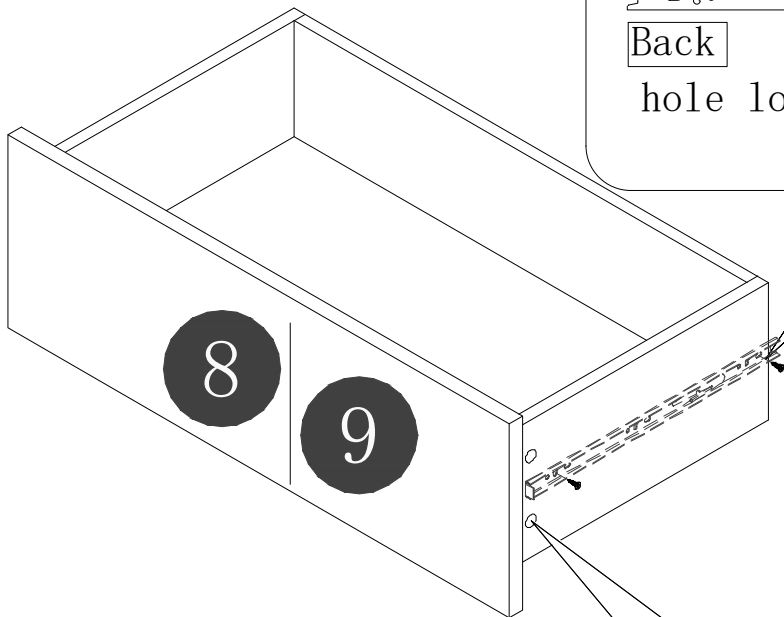
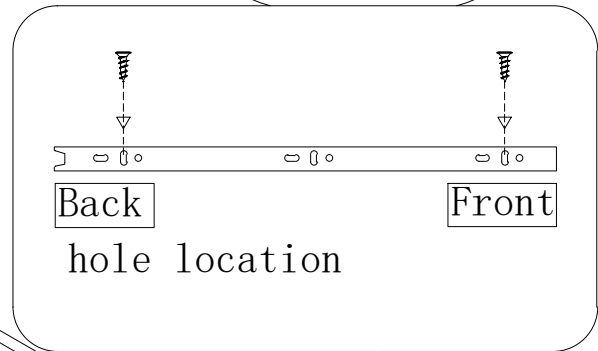
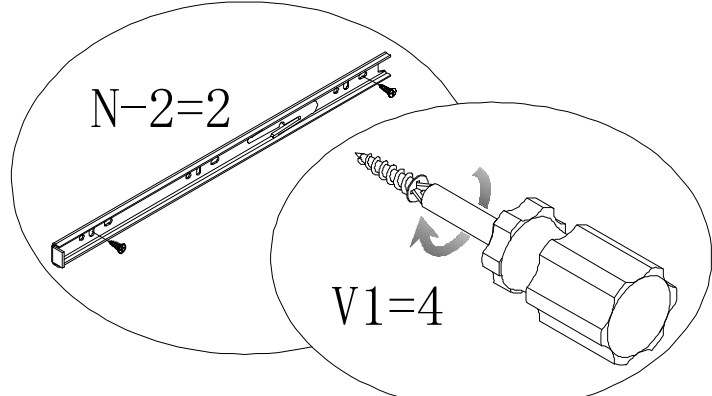
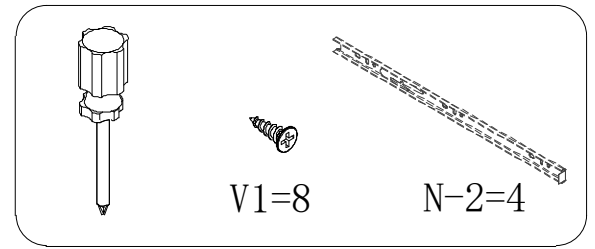


STEP 11



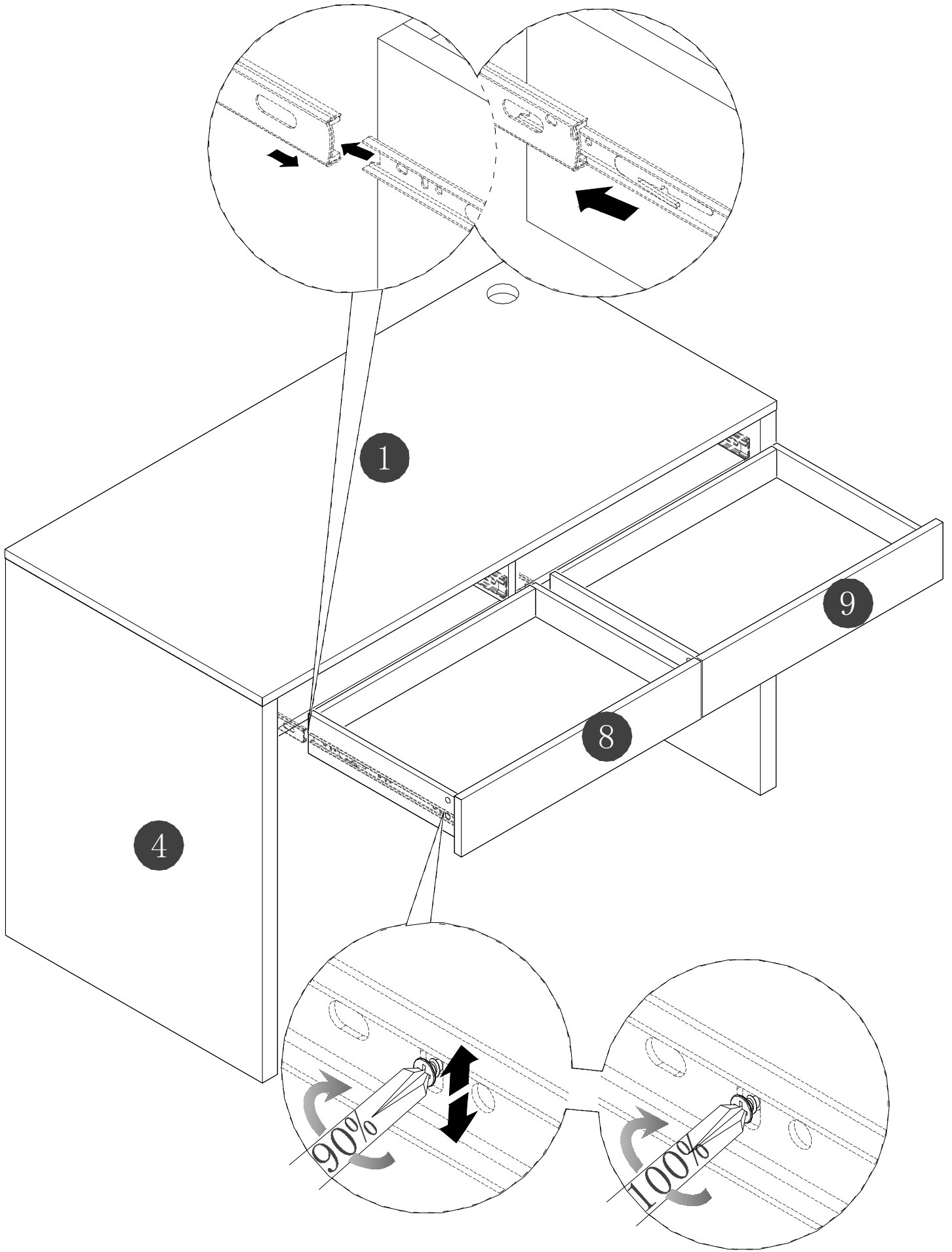
repeat for 2 drawers

STEP 12

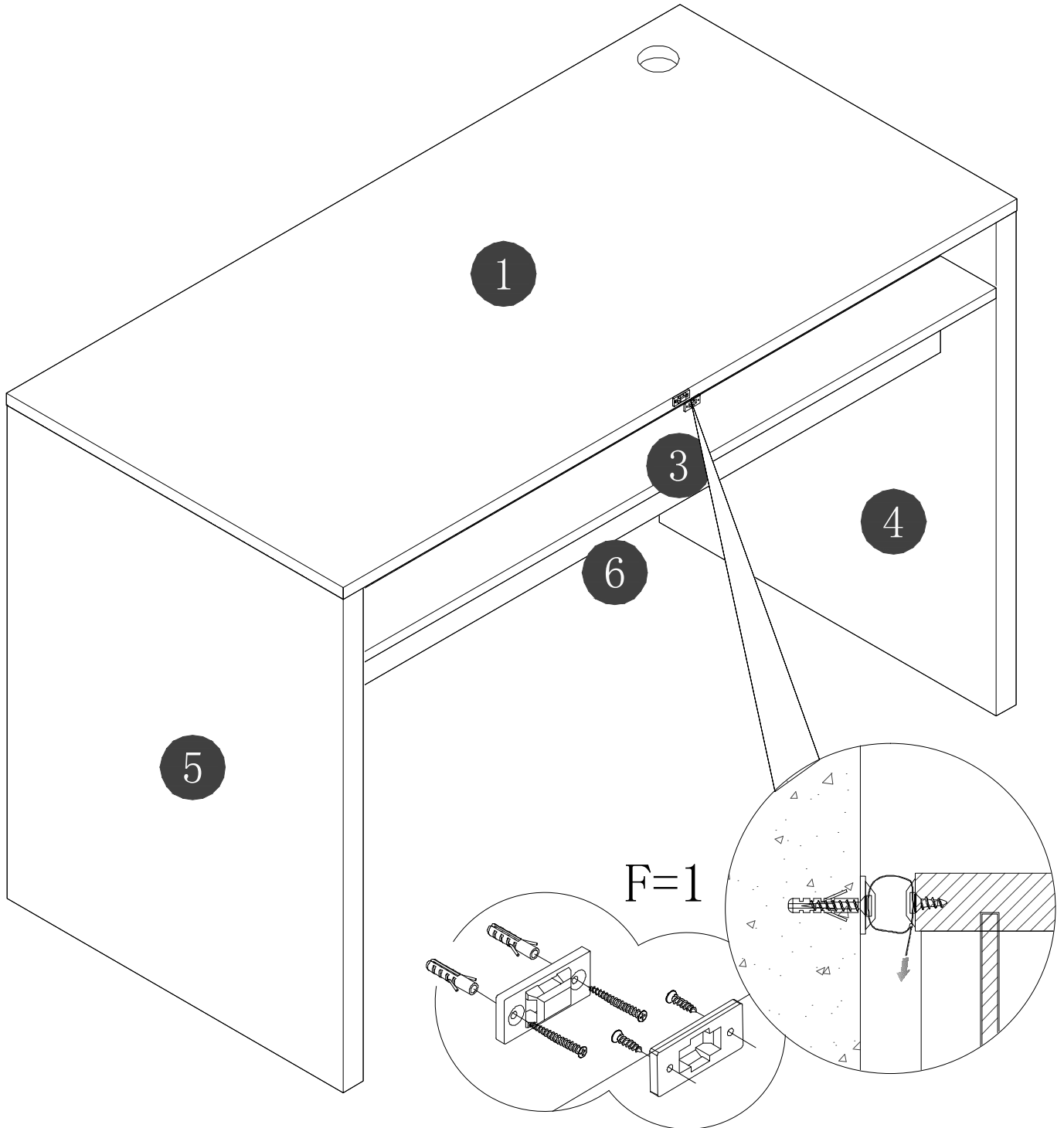
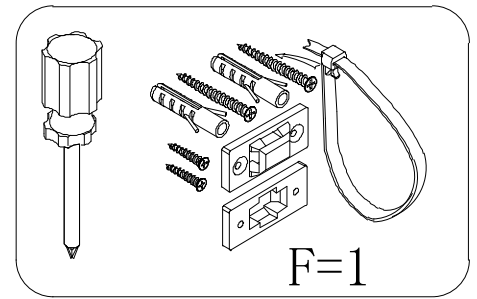


*The drawers will allign evenly when you ensure the screw is in the same place
repeat for 2drawers*

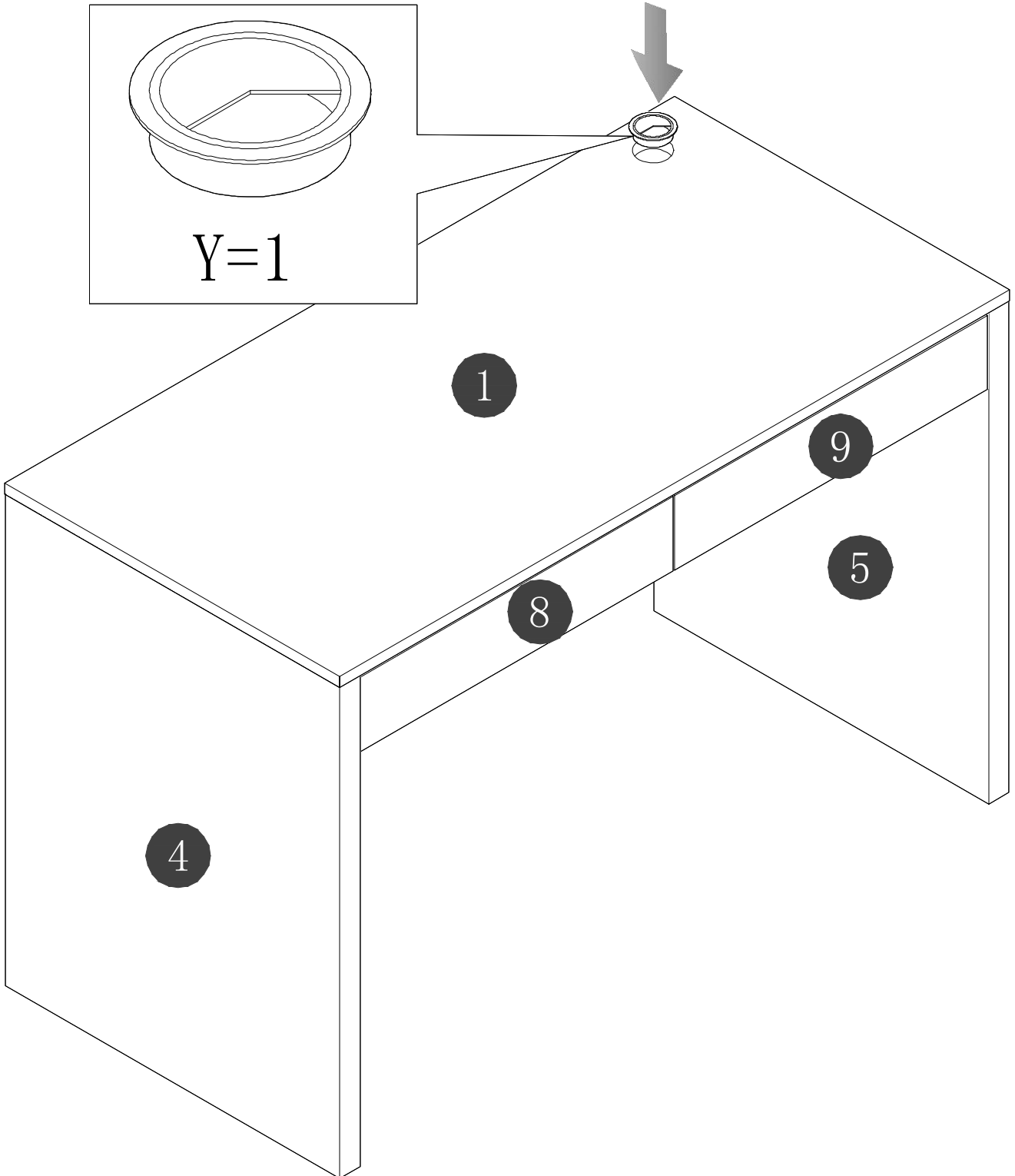
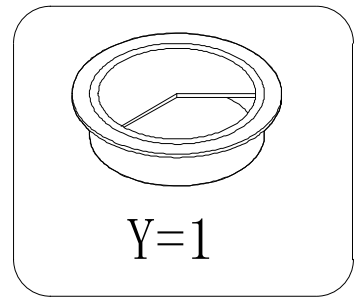
STEP 13



STEP 14



STEP 15



STEP 16

