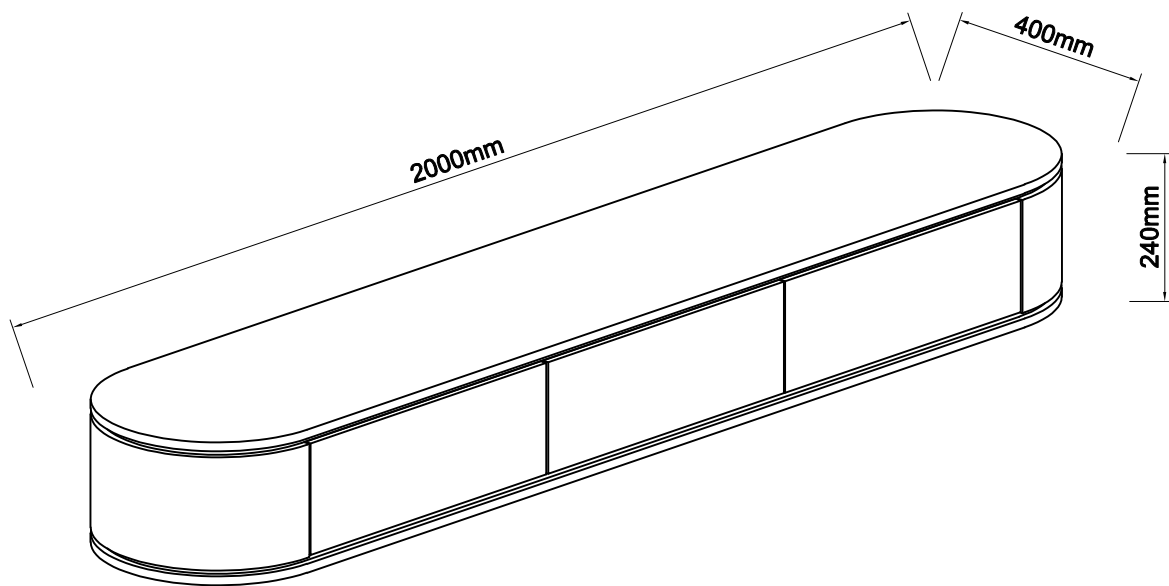


Assembly Instructions

Cannes 200cm W/M TV stand



**THIS PRODUCT MUST BE WALL MOUNTED BY A QUALIFIED
TRADESMAN/TECHNICIAN.**

THIS WALL MOUNT CABINET IS FOR THE STORAGE OF COMPONENTS
ONLY AND IS NOT INTENDED TO HAVE A TV PLACED/STORED ON IT.
MAXIMUM WEIGHT CAPACITY OF THIS UNIT IS 20 KG.

Please read the Assembly Instructions carefully
before assembling.

Imported By PRODESIGN FURNITURE PTY LTD.

WARNING

FAILURE TO FOLLOW THESE BASIC STEPS CAN LEAD TO DAMAGE THAT IS NOT COVERED BY YOUR WARRANTY

1. Read instructions carefully. Check no parts are missing.
2. Lay out all of the components on a soft surface as if you were preparing to do a jigsaw puzzle.
3. Carefully identify each component, especially those that are similar. The most common mistake is getting things back to front.
4. Separate and identify each component from the hardware pack and rest each one in its proper location before fastening.
5. **DO NOT** fully tighten screws (leave slightly loose). When the item is fully assembled tighten the screws - but do not over tighten.

Warning: In order to prevent overturning this product must be used with the wall attachment device provided.

THIS PRODUCT MUST BE WALL MOUNTED BY A QUALIFIED TRADESMAN/TECHNICIAN.

Daily Care:

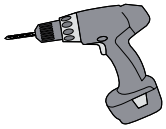
Water and other liquids can cause discoloration and damage to the surface. In case any liquids are spilled on the surface, remove immediately with a clean cloth. Avoid rubbing the spilled liquid into the veneer, but wipe gently, using a clean, firmly wrung damp cloth. If stains or marks persist, seek professional help and advice.

Wood expands and contracts according to the surrounding humidity and temperature. In case of temperature and humidity fluctuations, the wood might warp and/or crack. To avoid this, do not place the furniture near a radiator or in hot surroundings.

Take care when moving the furniture across the floor. Do not drag the furniture, as this can cause damage to both the furniture and the floor.

What you need

to assemble the product



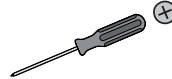
Power drill



Drill bit
8mm



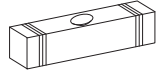
Drill bit
4mm



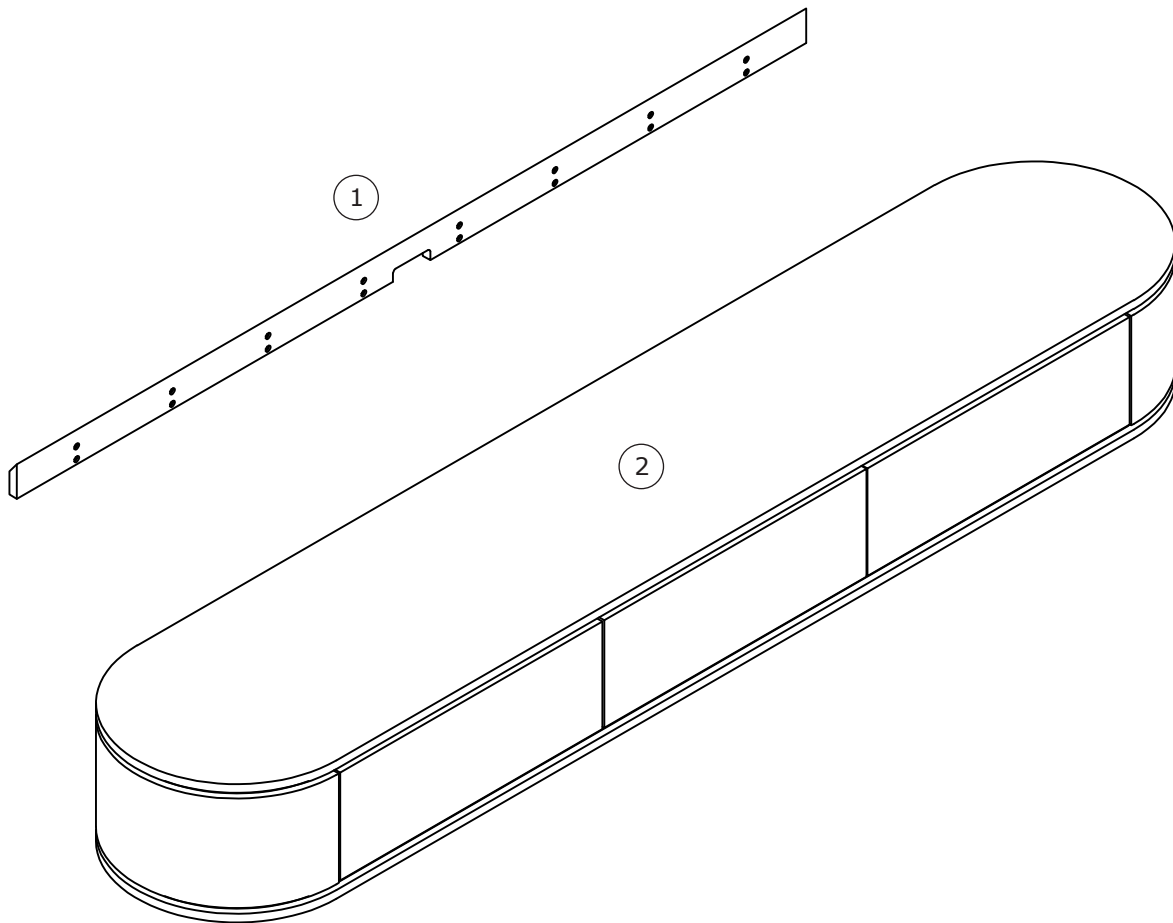
Phillips
Screw driver



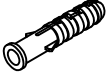


Stud finder



Leveler



NO.	PARTS LIST	QTY
(1)	MOUNTING BOARD	1
(2)	BODY	1

 8x Expansion plug M8 x 65mm (A)	 8 x Screws Ø 5 x 80mm (B)	 6 x Screws Ø 3.5x15mm (C)
--	--	---

As all installation environments are different you may not have all the necessary installation hardware provided in the hardware pack supplied with this unit. If you require further fixings please visit your local hardware store and purchase other required fixings. The fixings provided in this pack are for a basic install only.

Please make sure you have all these parts before you start.

The following Instructions are provided as a guide for installing this Wall Cabinet

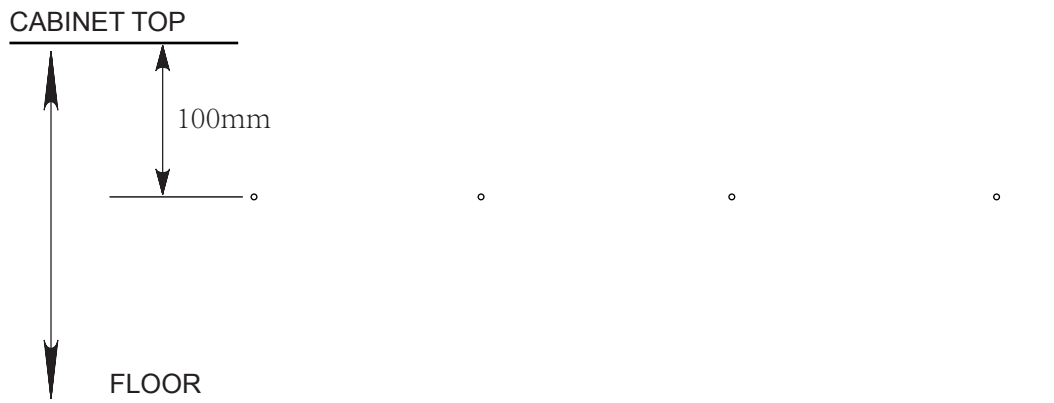
**THIS PRODUCT MUST BE WALL MOUNTED BY A QUALIFIED
TRADESMAN/TECHNICIAN.**

Step 1 POSITIONING AND MOUNTING YOUR WALL CABINET

Decide on the height you would like the top of your new Wall Mount Cabinet to be. Measure 100mm down your wall to mark your first hole location. Place the coinciding hole of the wall bracket over this hole. While holding the Bracket on this hole ensure that it is level, with a spirit level and mark the remaining holes with a pencil or your drill. Remove wall mount and drill holes into your wall with an appropriate drill bit. If there is any major wall imperfections/unevenness please consider fixing these first, to allow cabinet to sit flat against the wall.

Please remember that this is a wall mount cabinet for components only and it is not intended for a TV to be placed on this unit.

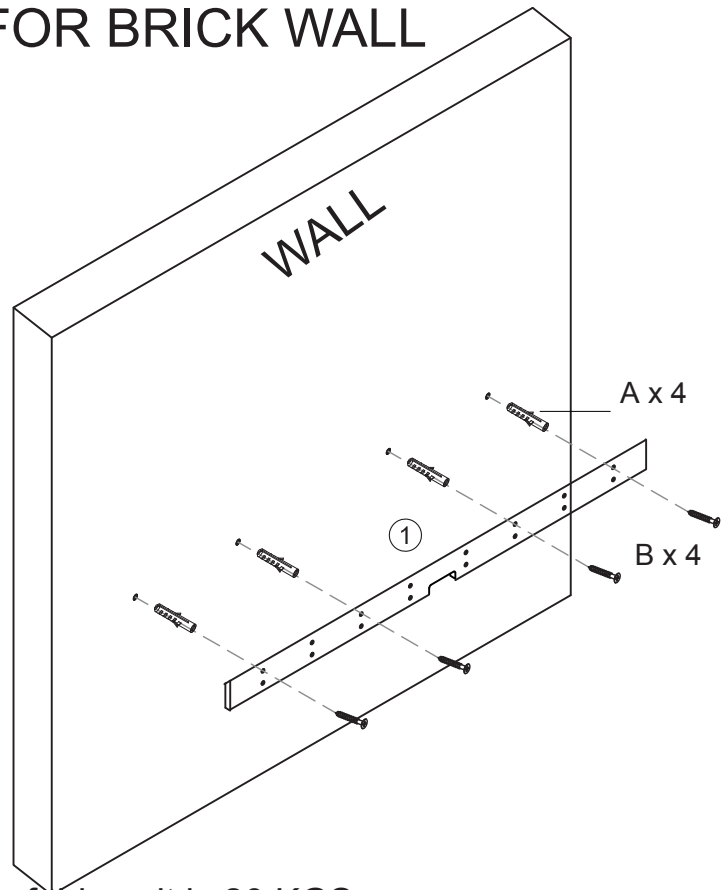
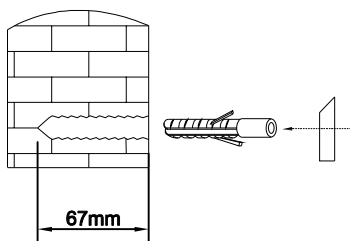
Please ensure that your TV is secured/mounted to the wall with a suitable wall mount prior to the installation of this cabinet underneath.



Step 2 OPTON 1 - FOR BRICK WALL

You will need	
4 x Expansion plug (A)	4 x Screws (B)

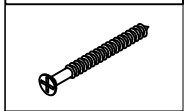
BRICK WALL NOTE:
Please fix screws into Bricks not Mortar



Maximum weight capacity of this unit is 20 KGS

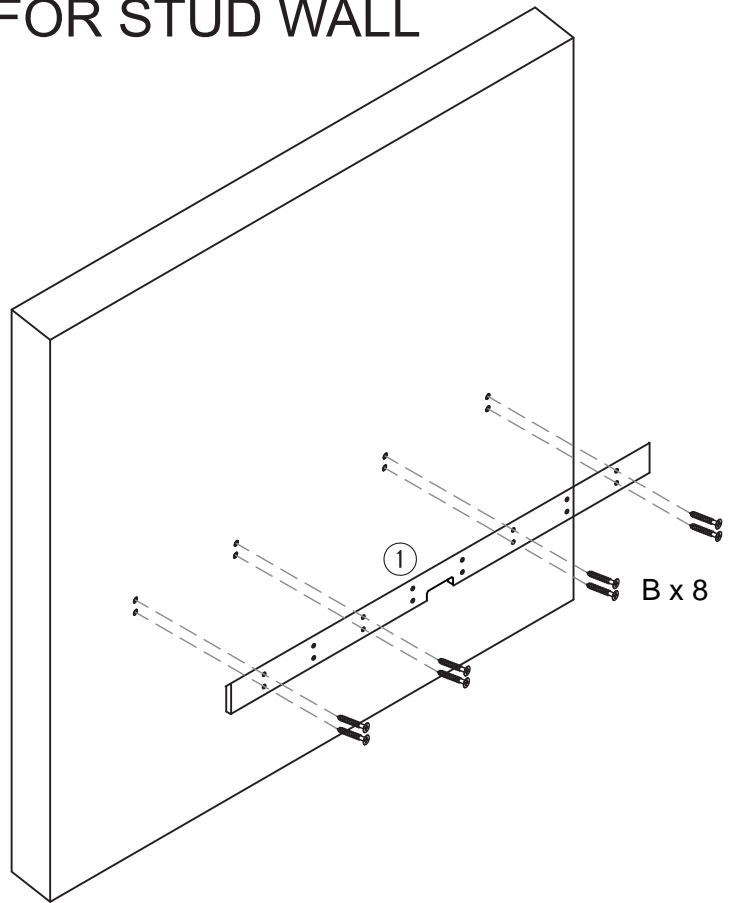
Step 3 OPTON 1 - FOR STUD WALL

You will need

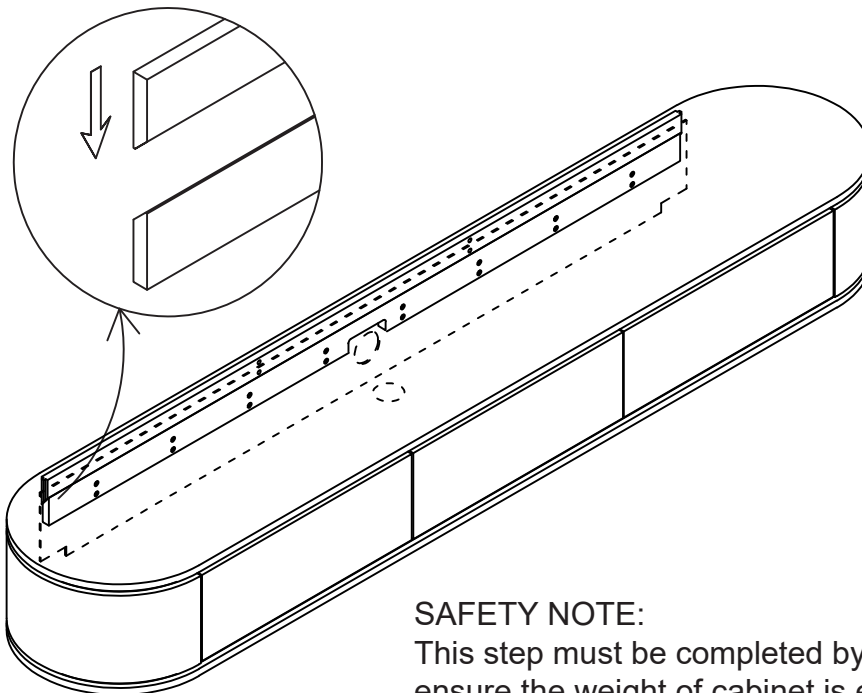


8 x Screws
(B)

STUD WALL SAFETY NOTE:
The mounting board has fixing holes in place for a standard stud wall. Please use a stud finder to ensure that you are fixing into the studs.



Step 4 LIFTING CABINET ONTO THE WALL

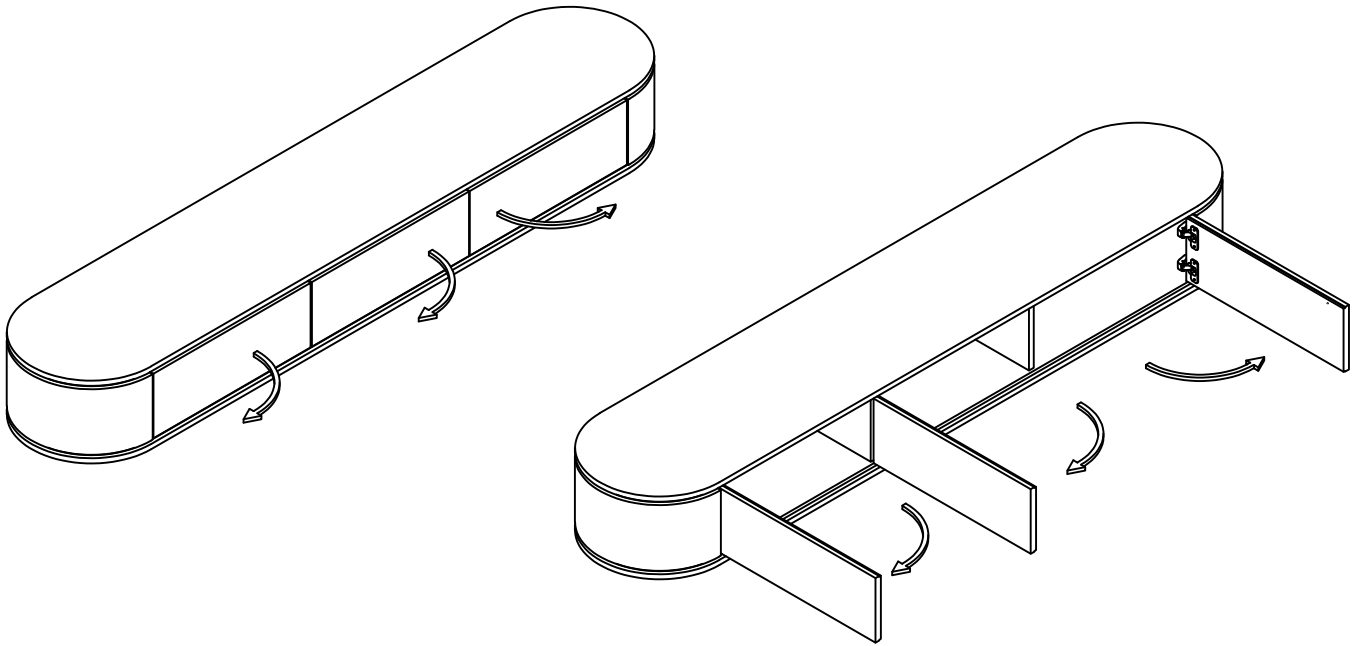


SAFETY NOTE:
This step must be completed by two persons to ensure the weight of cabinet is evenly distributed across mounting board and eliminate physical injury to individuals.

Maximum weight capacity of this unit is 20 KGS

Step 5

Open the door panel



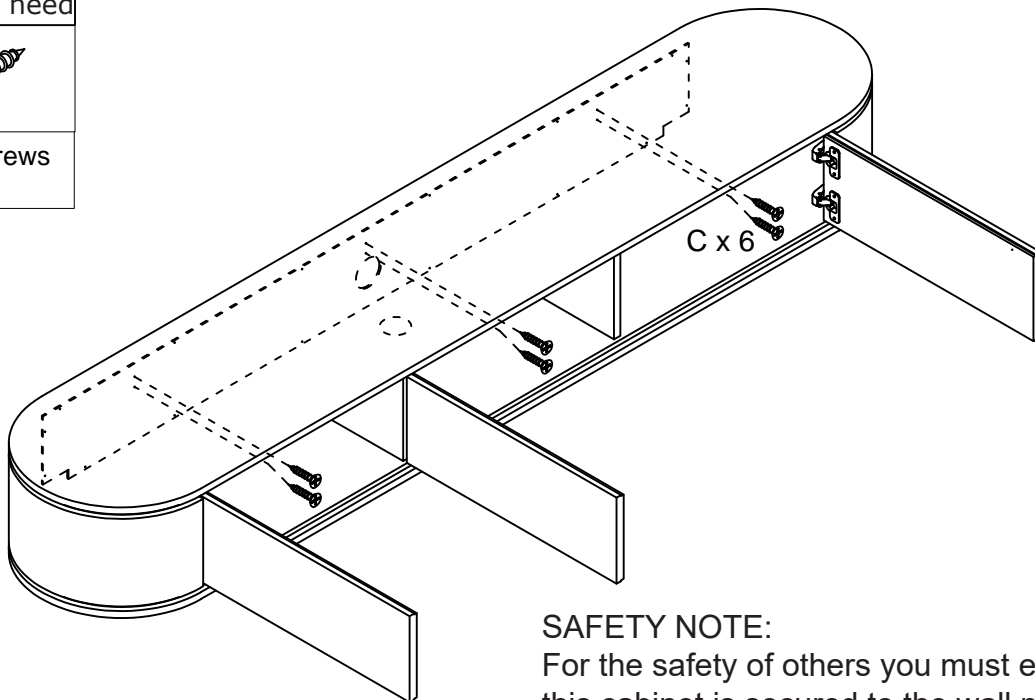
Step 6

SECURING CABINET TO WALL MOUNT

You will need



6 x Screws
(C)



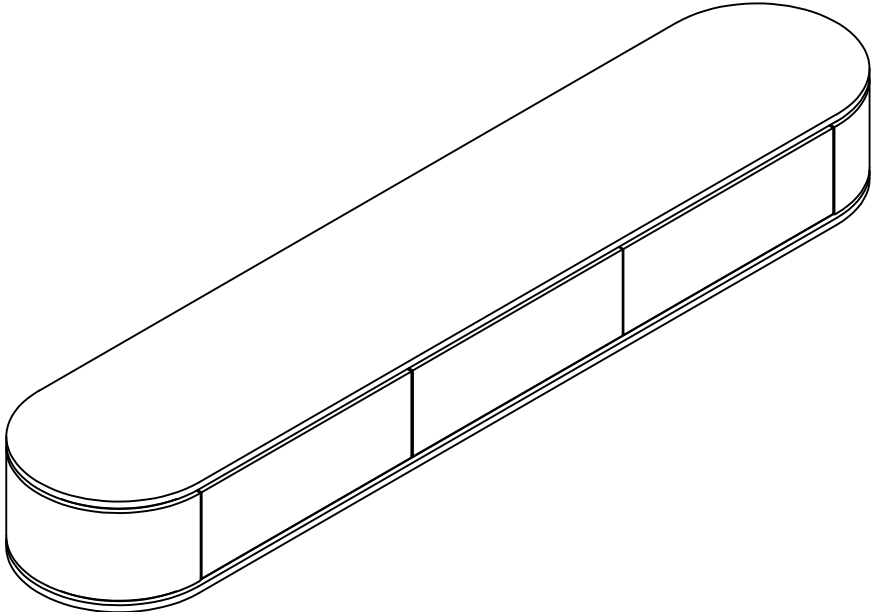
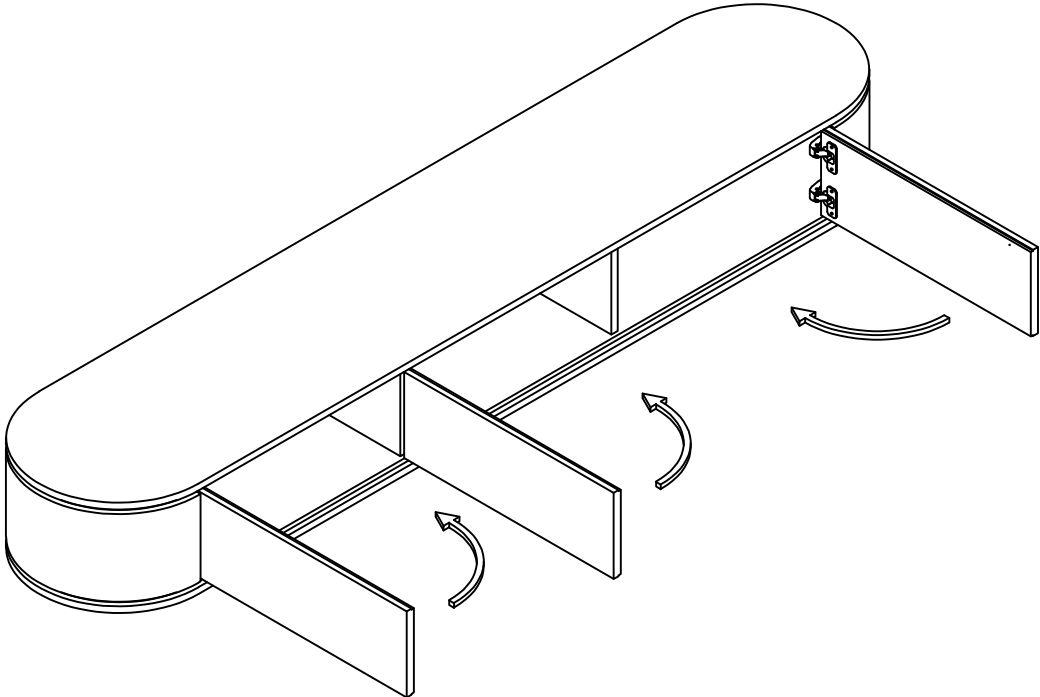
SAFETY NOTE:

For the safety of others you must ensure that this cabinet is secured to the wall mount with the provided screws as shown.

Maximum weight capacity of this unit is 20 KGS

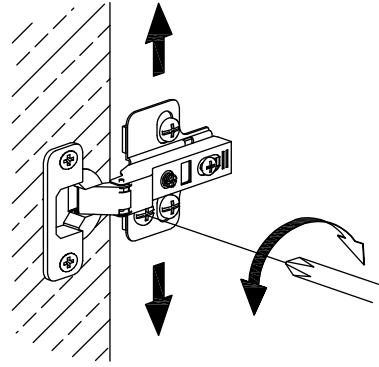
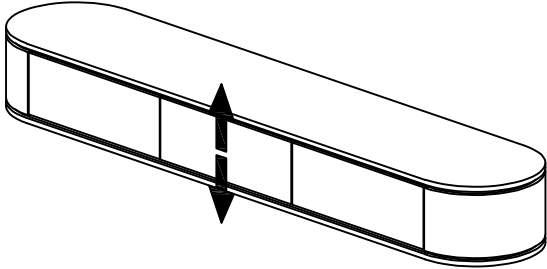
Step 7

Close the door panel

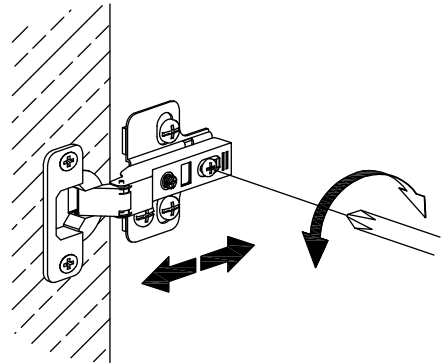
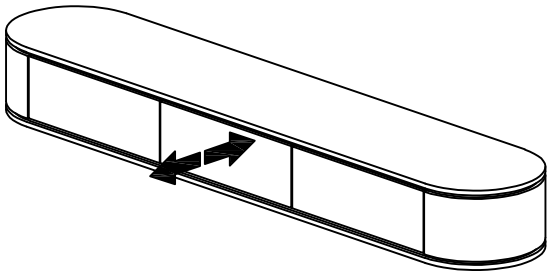


Step 8

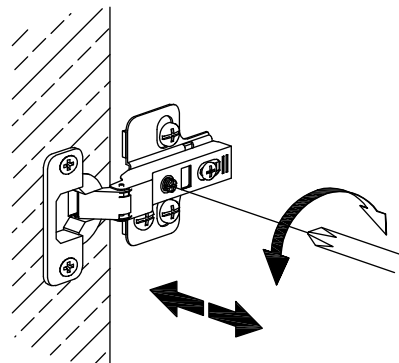
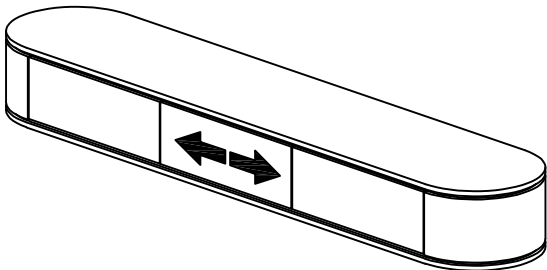
The doors may become misaligned after the transportation.
If adjustment is necessary, please follow the steps below:



To move doors up or down:
loosen or tighten the screws on the hinge plate,
as shown.



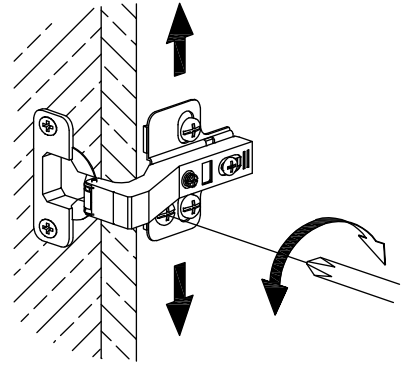
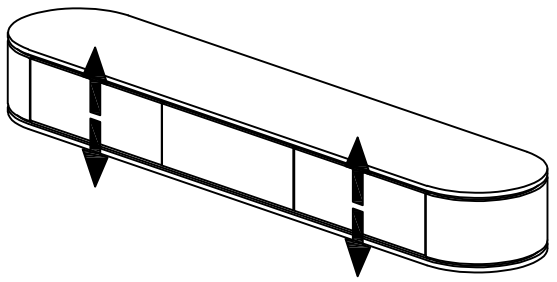
To move doors in or out:
Loosen or tighten the screws on the hinge plate,
as shown.



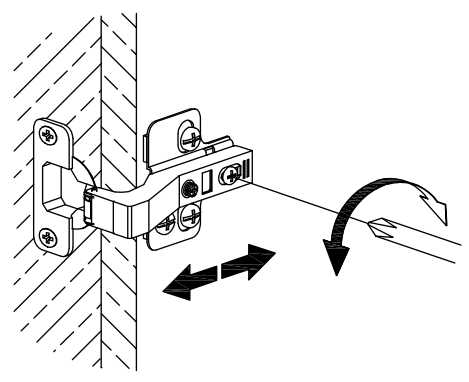
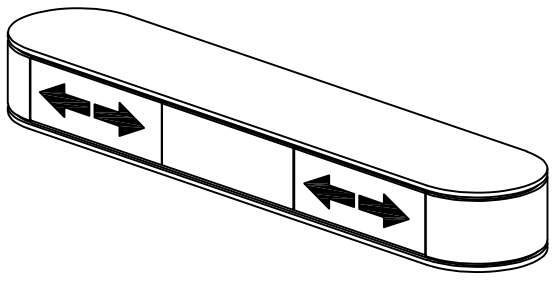
To move doors left or right:
Loosen or tighten the screws to suit, as shown.

Step 9

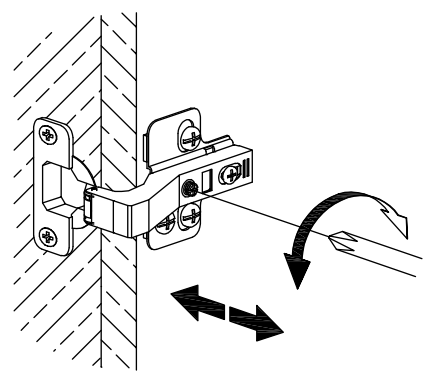
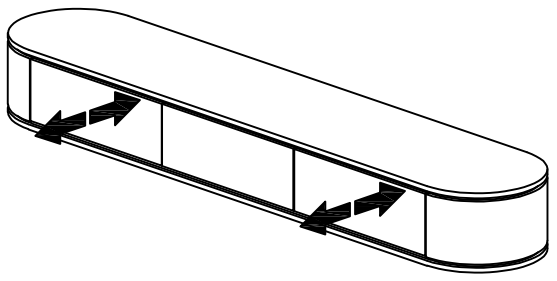
The doors may become misaligned after the transportation.
If adjustment is necessary, please follow the steps below:



To move doors up or down:
loosen or tighten the screws on the hinge plate,
as shown.

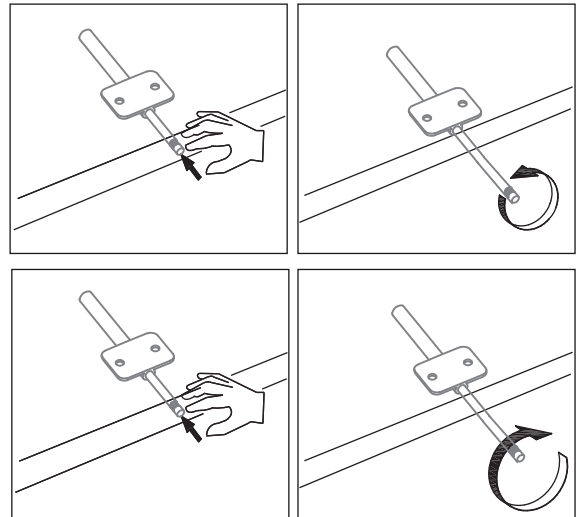
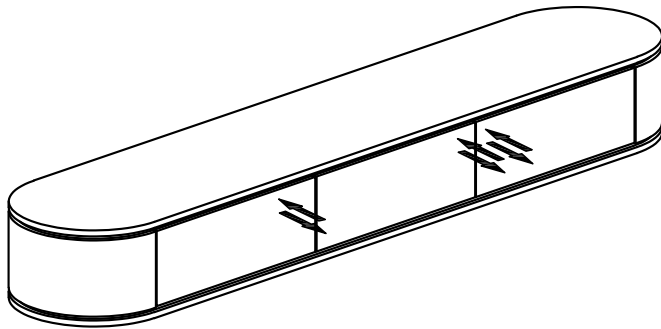


To move doors left or right:
Loosen or tighten the screws to suit, as shown.



To move doors in or out:
Loosen or tighten the screws on the hinge plate,
as shown.

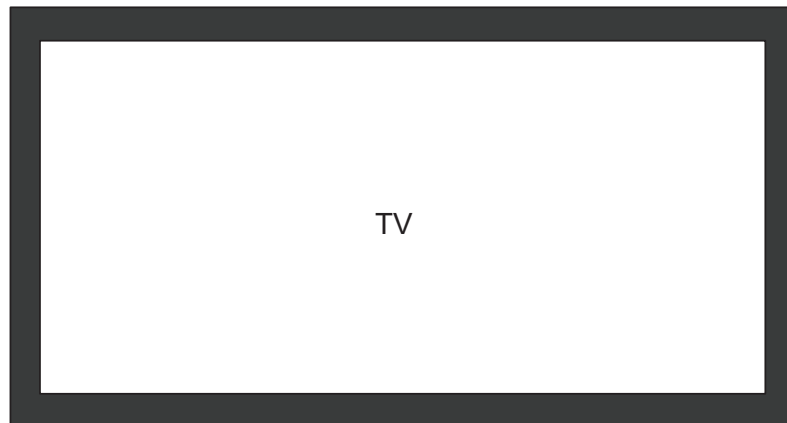
Step 10



After transportation, the push to open latches may need to be adjusted if it does not work well.

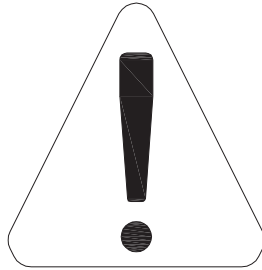
To adjust the push-to-open latches, please follow the steps below:
Push and release the piston once to allow the piston to extend.
Gently turn the piston clockwise or anti-clockwise to adjust the position of the piston.
Push the piston once to retract the piston.

Maximum weight capacity of this unit is 20 KGS



Job Complete !

In the interest of our environment Please dispose of all packaging thoughtfully.



THIS PRODUCT IS FINISHED WITH LACQUER

Avoid placing hot items directly onto the surface unless using a thick insulation material such as placemats or coasters. Heat may lead to discolouration or other damage to the surface of the product.

Use a soft cloth that has been dampened in water to clean the surface of this product. Do not use abrasive cleaners, furniture wax or polish on the surface of this product, as it may damage the surface.

CAUTION: FREQUENT EXPOSURE TO DIRECT SUNLIGHT OR SIMILAR SOURCES MAY CAUSE THE SURFACE TO DISCOLOUR OR FADE.