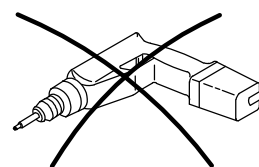
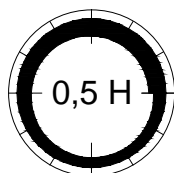
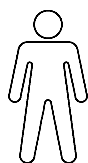
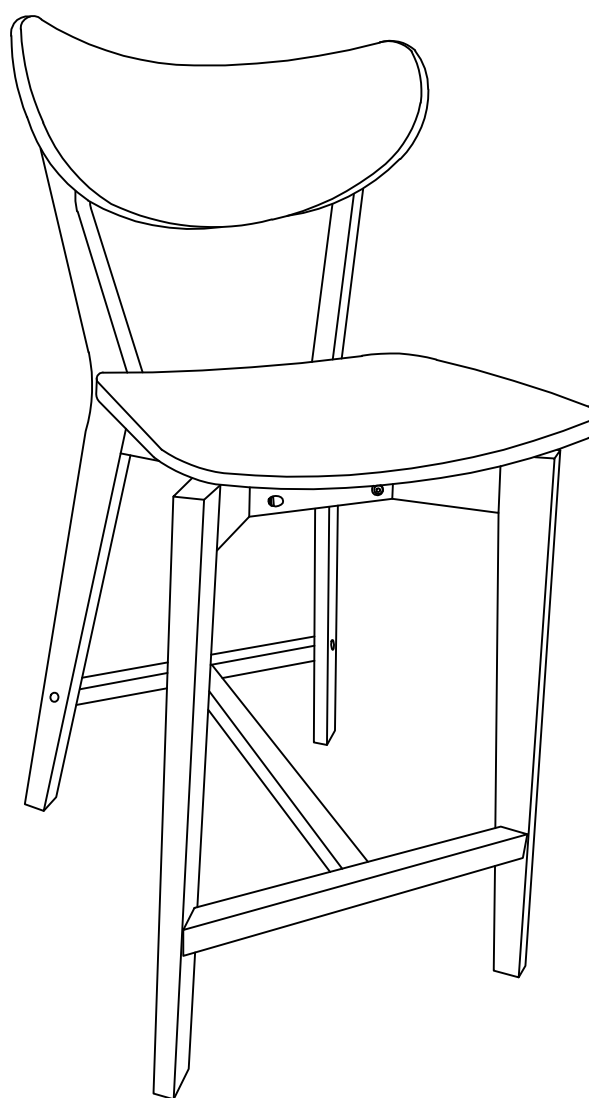


TEMPLE &  
WEBSTER

ATLRSTOK



## ASSEMBLY INSTRUCTIONS:

Read these instructions and follow the steps carefully to ensure you assemble the product correctly and avoid damage

Check that all parts and hardware have been provided before assembling the product

Place the product on a clean, soft, flat surface to avoid scratching the product

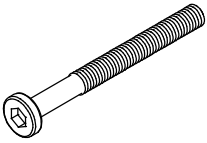
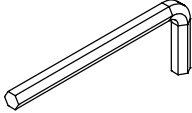
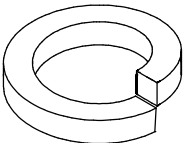
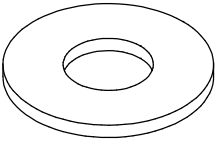
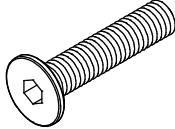
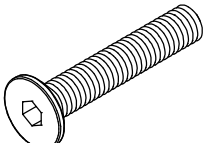
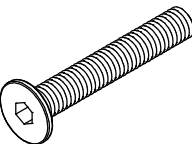
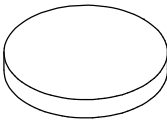
### Caution:

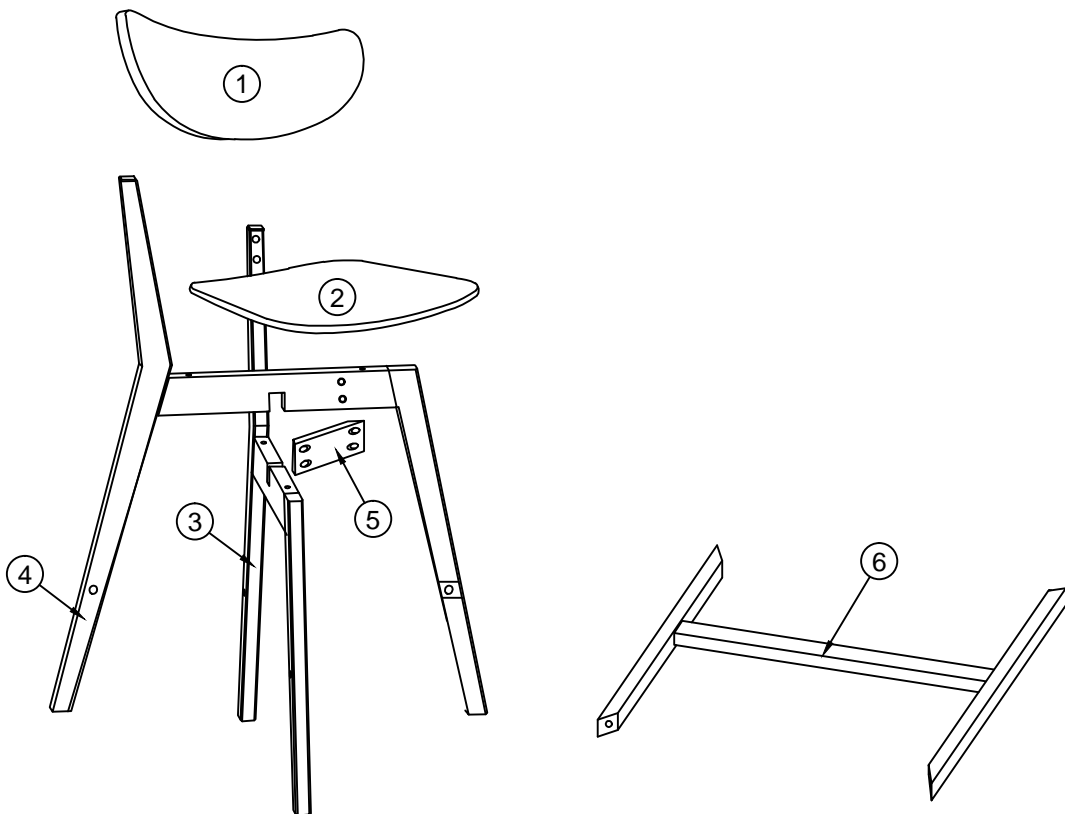
Only tighten bolts to 80% at first unless otherwise specified in the instructions. Once all parts have been assembled, you may fully tighten all hardware

To prevent damage to threads, DO NOT use a power tool and do not over tighten bolts

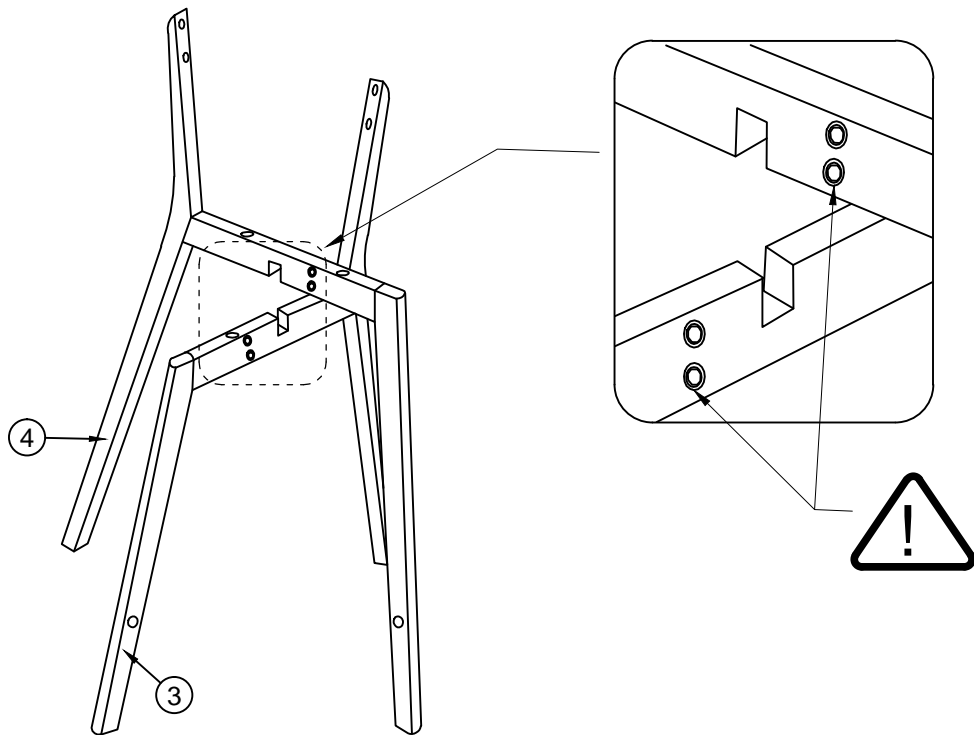
Use two people to lift and turn the product when assembling and do not roll the product onto the legs

Keep all hardware, small parts and packaging away from children

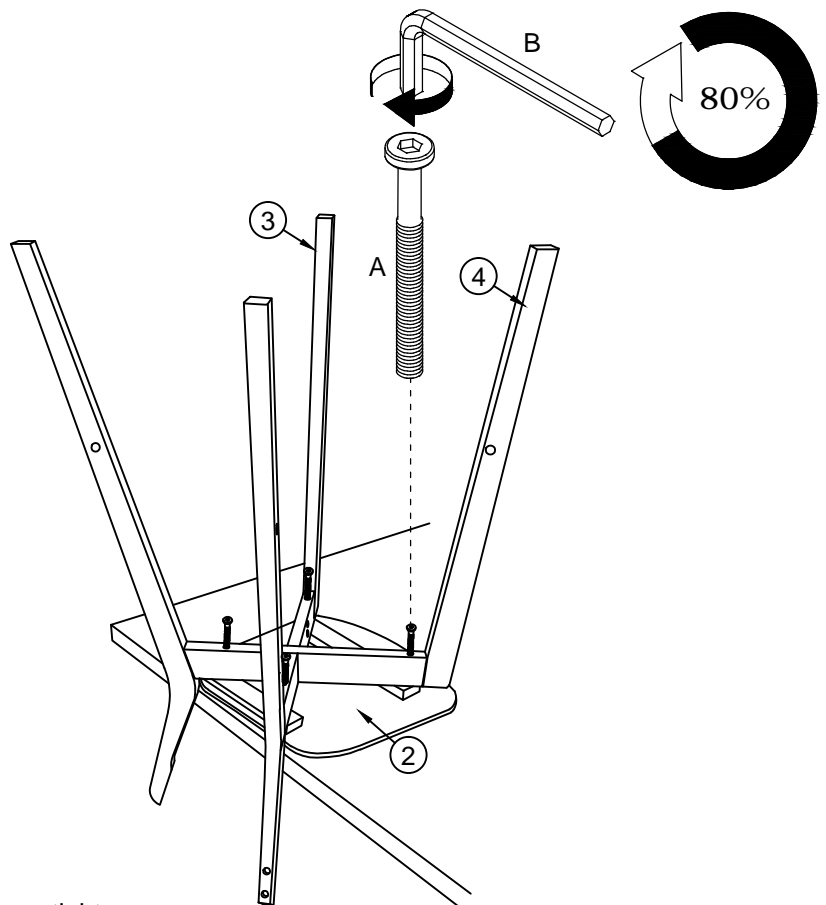
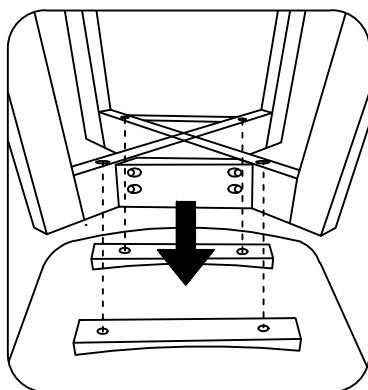
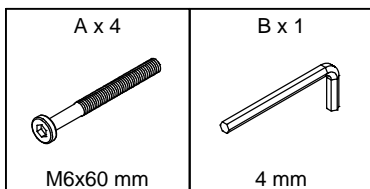
<p>A x 4</p>  <p>M6x60 mm</p>	<p>B x 1</p>  <p>4 mm</p>	<p>C x 8</p>  <p>Ø6/Ø13 mm</p>	<p>D x 4</p>  <p>Ø6/Ø13 mm</p>	<p>E x 4</p>  <p>M6x25 mm</p>
<p>F x 4</p>  <p>M6x30 mm</p>	<p>G x 4</p>  <p>M6x35 mm</p>	<p>H x 4</p>  <p>Ø22x3 mm</p>		



# Step 1

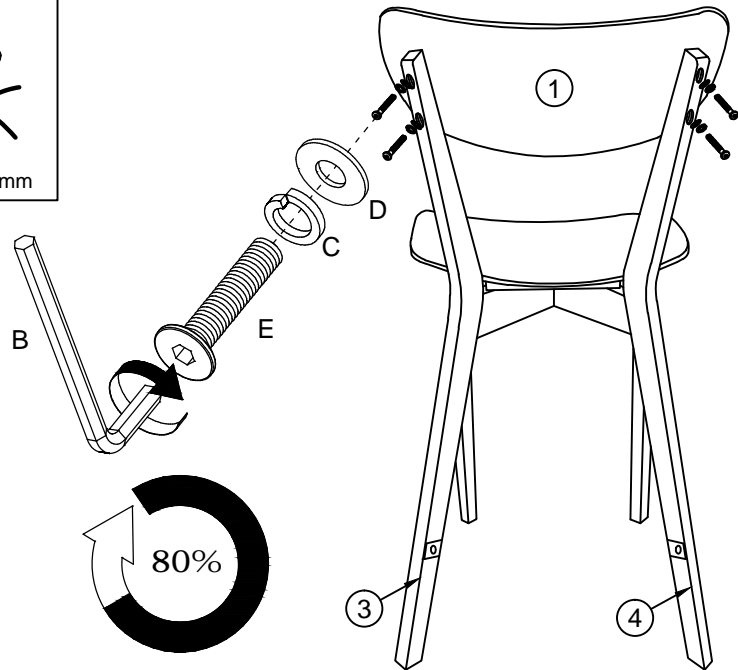
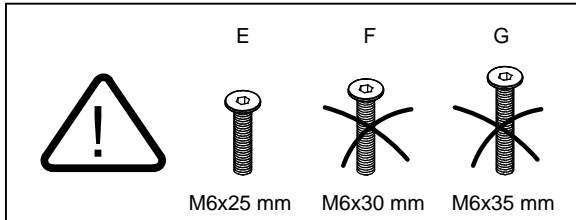
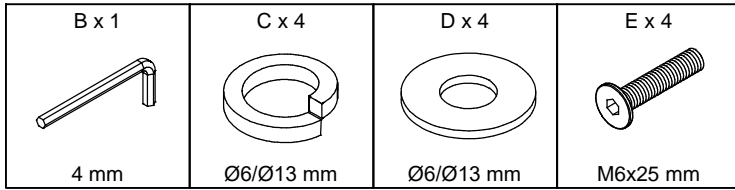


# Step 2



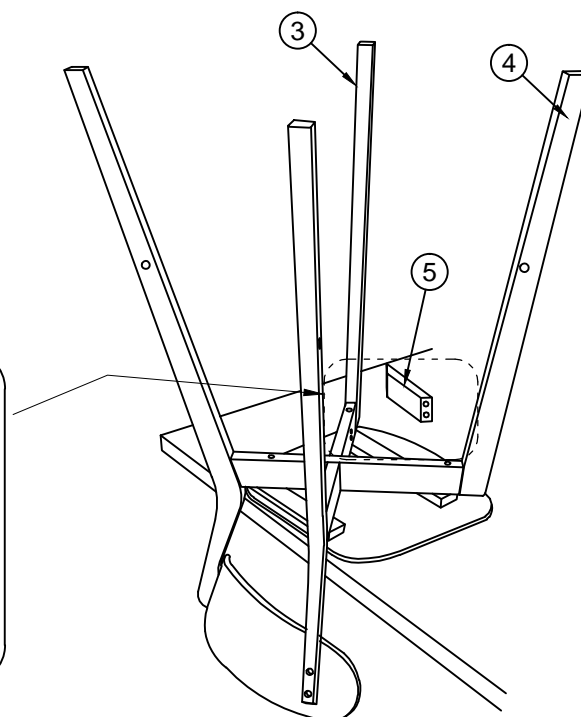
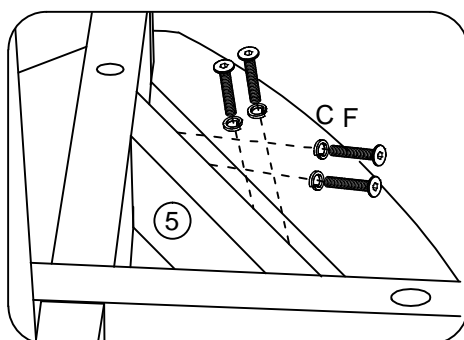
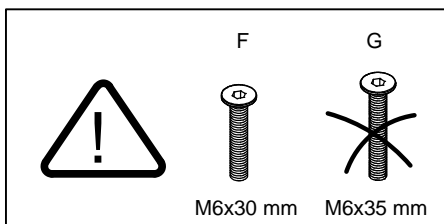
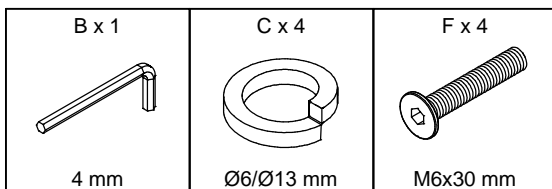
Screw the Bolts only 80% of the way and do not over tighten

# Step 3



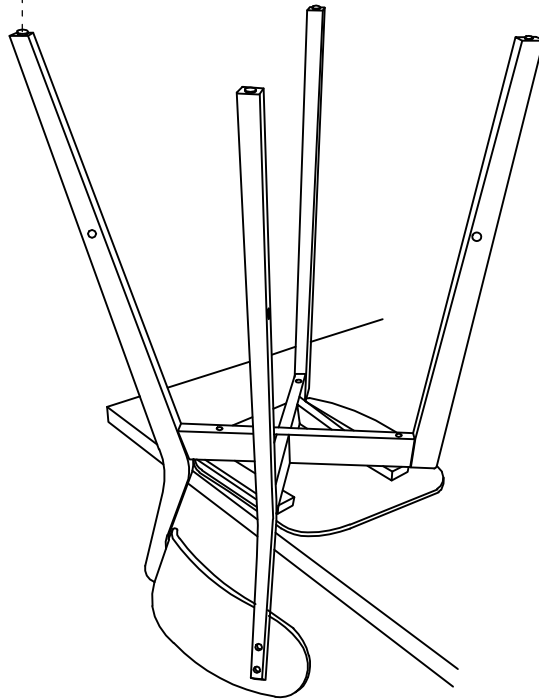
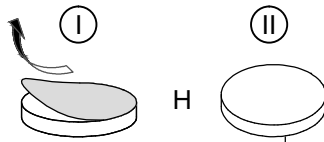
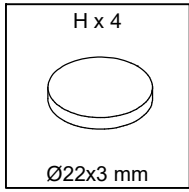
Screw the Bolts only 80% of the way and do not over tighten

# Step 4



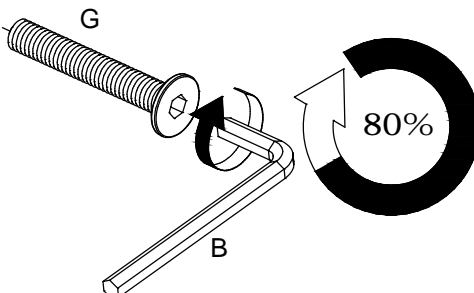
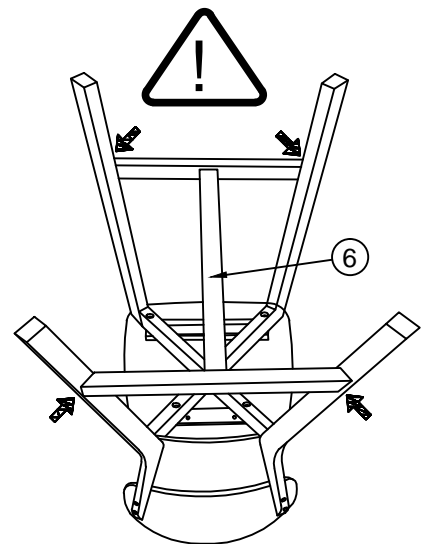
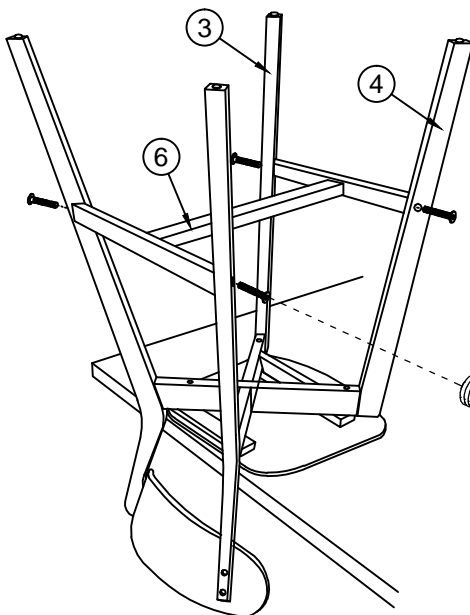
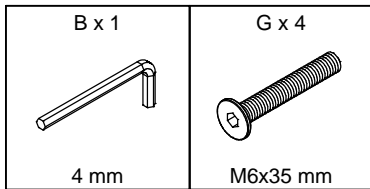
Tighten all Bolts 100% but do not over tighten

# Step 5



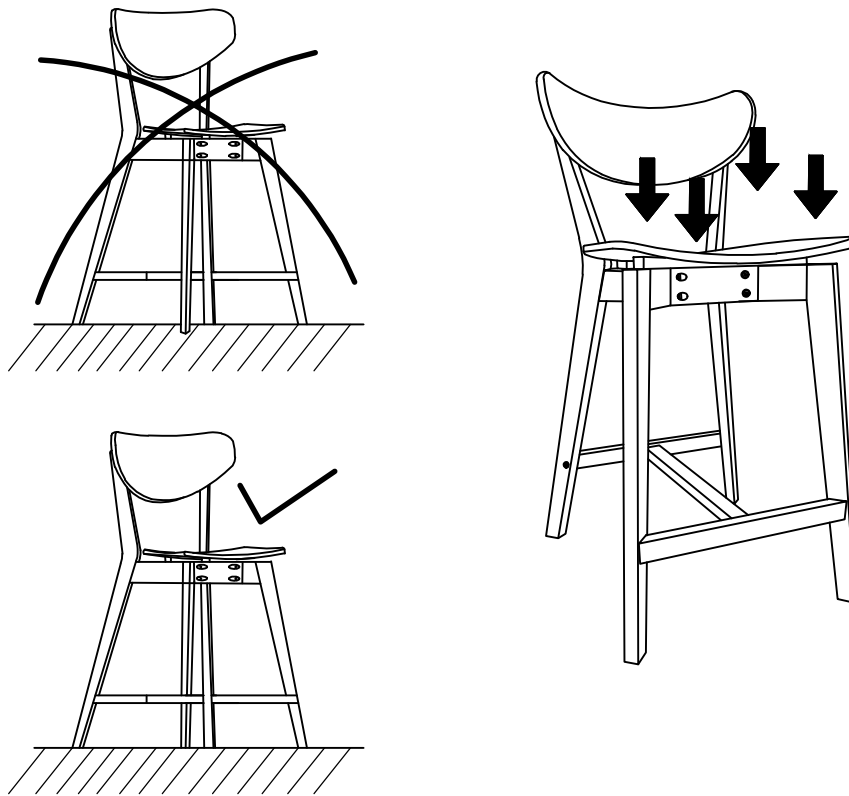
Attach the Felt Pads to the Legs

# Step 6

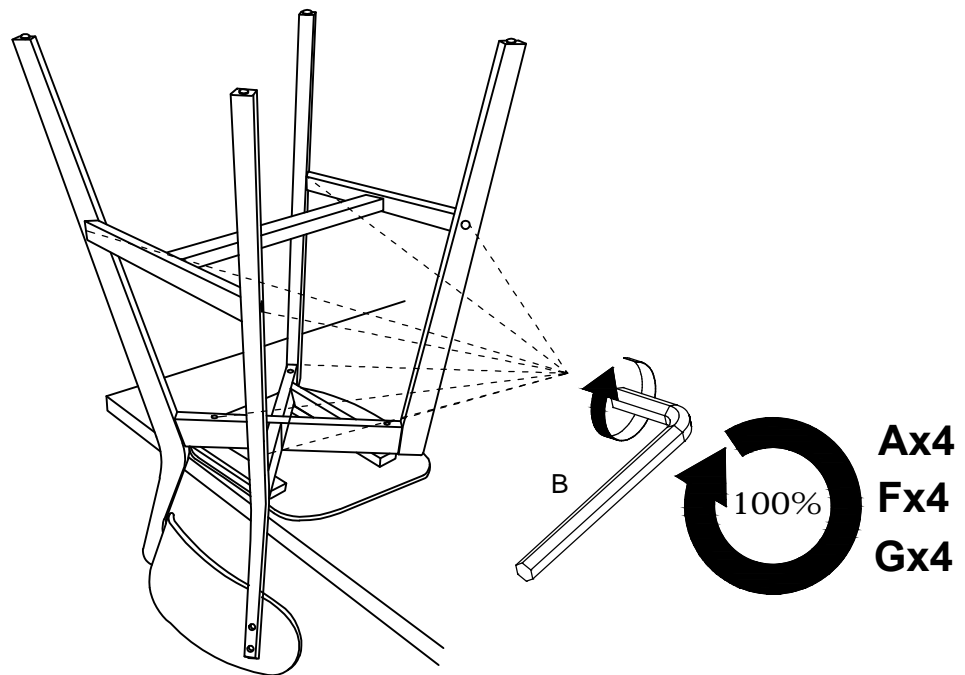
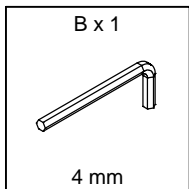


Screw the Bolts only 80% of the way and do not over tighten

# Step 7

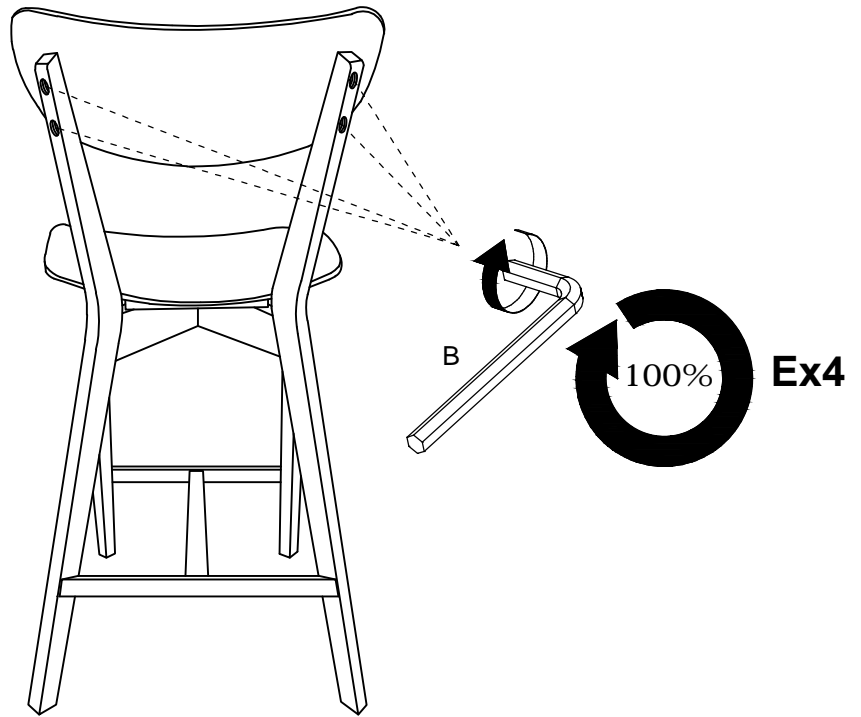
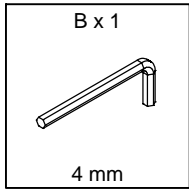


# Step 8



Tighten all Bolts 100% but do not over tighten

# Step 9



Tighten all Bolts 100% but do not over tighten

---

# Step 10

