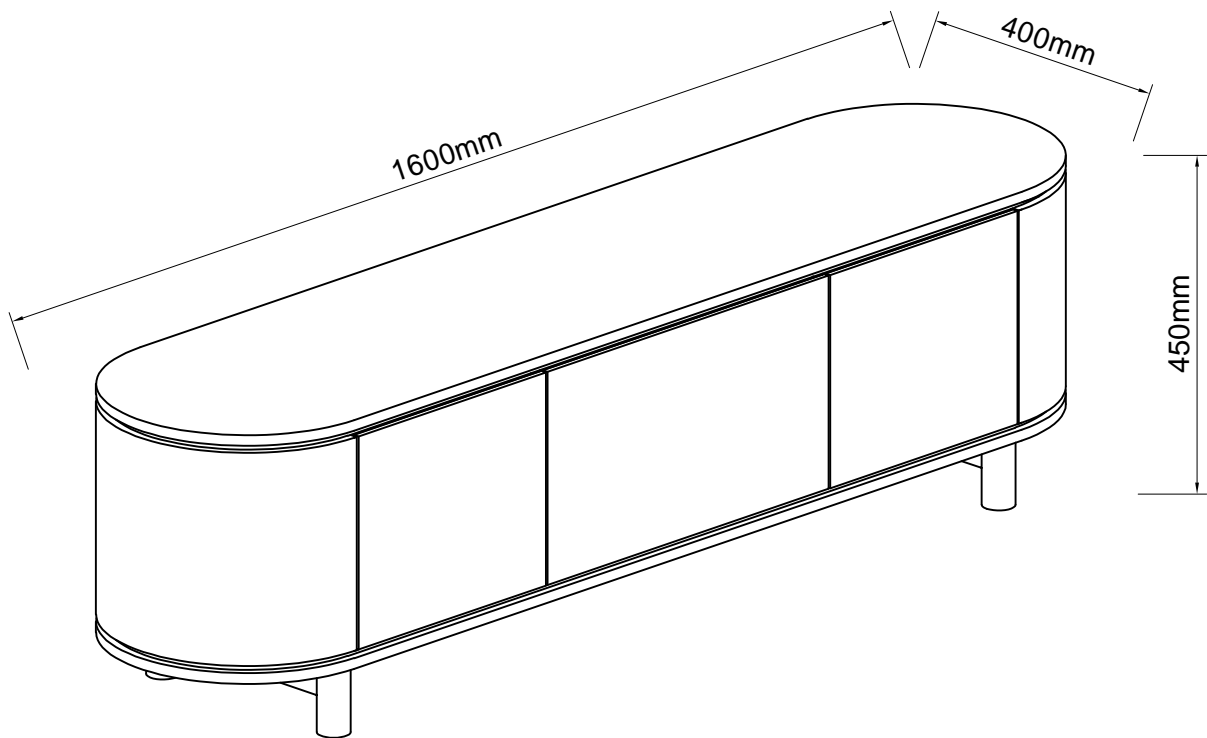


Assembly Instructions

Cannes Curved ETU 160 - White Oak



Please read the Assembly Instructions carefully
before assembling.

Imported By PRODESIGN FURNITURE PTY LTD.

WARNING

FAILURE TO FOLLOW THESE BASIC STEPS CAN LEAD TO DAMAGE THAT IS NOT COVERED BY YOUR WARRANTY

1. Read instructions carefully. Check no parts are missing.
2. Lay out all of the components on a soft surface as if you were preparing to do a jigsaw puzzle.
3. Carefully identify each component, especially those that are similar. The most common mistake is getting things back to front.
4. Separate and identify each component from the hardware pack and rest each one in its proper location before fastening.
5. **DO NOT** fully tighten screws (leave slightly loose). When the item is fully assembled tighten the screws - but do not over tighten.

Warning: In order to prevent overturning, this product must be used with the wall attachment device provided.

Daily Care:

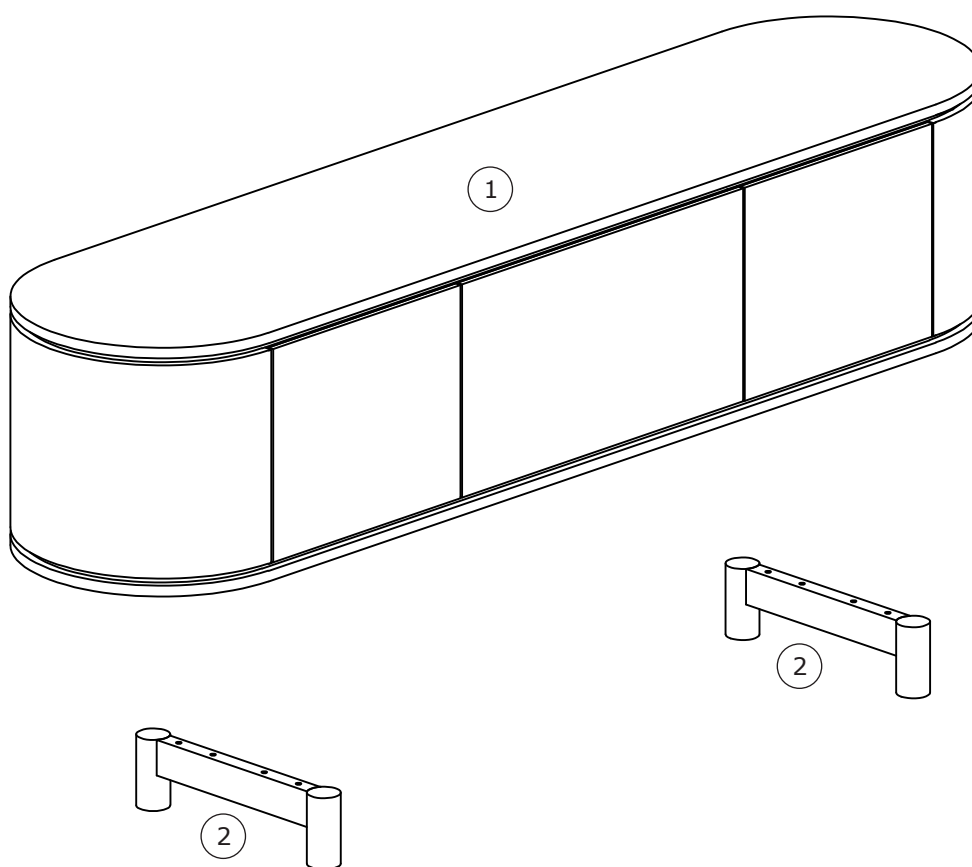
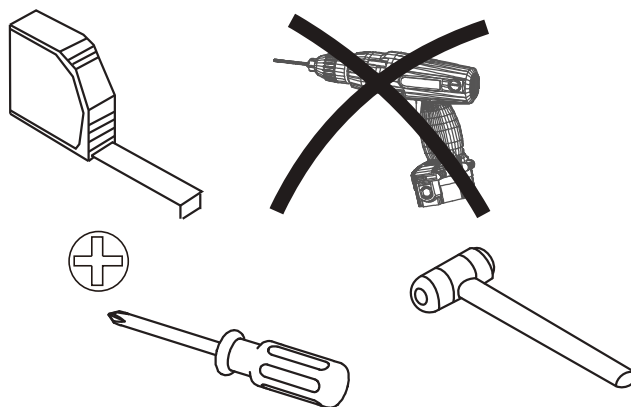
Water and other liquids can cause discoloration and damage to the surface. In case any liquids are spilled on the surface, remove immediately with a clean cloth. Avoid rubbing the spilled liquid into the veneer, but wipe gently, using a clean, firmly wrung damp cloth. If stains or marks persist, seek professional help and advice.

Wood expands and contracts according to the surrounding humidity and temperature. In case of temperature and humidity fluctuations, the wood might warp and/or crack. To avoid this, do not place the furniture near a radiator or in hot surroundings.

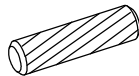
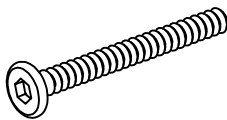


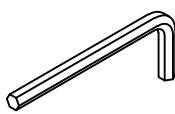
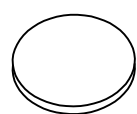
Take care when moving the furniture across the floor. Do not drag the furniture, as this can cause damage to both the furniture and the floor.

What you need

to assemble the product




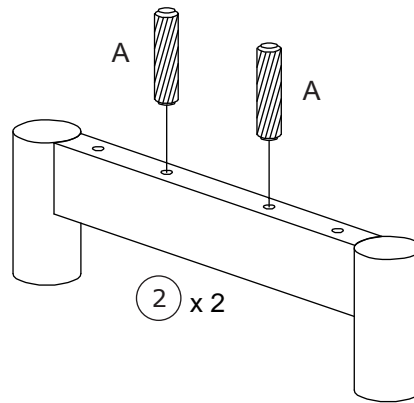
NO.	PARTS LIST	QTY
(1)	BODY	1
(2)	LEG	2

 <p>4 x Wooden dowels Ø8x30mm (A)</p>	 <p>4 x Bolt M6x55mm (B)</p>	 <p>4 x Spring Washer Ø16x1.5mm (C)</p>	 <p>4 x Washer Ø6/Ø16x1.5mm (D)</p>
 <p>1 x Allen key M4mm (E)</p>	 <p>4 x Felt Pads Ø35x3mm (F)</p>		

Please make sure you have all these parts before you start.





Step 1

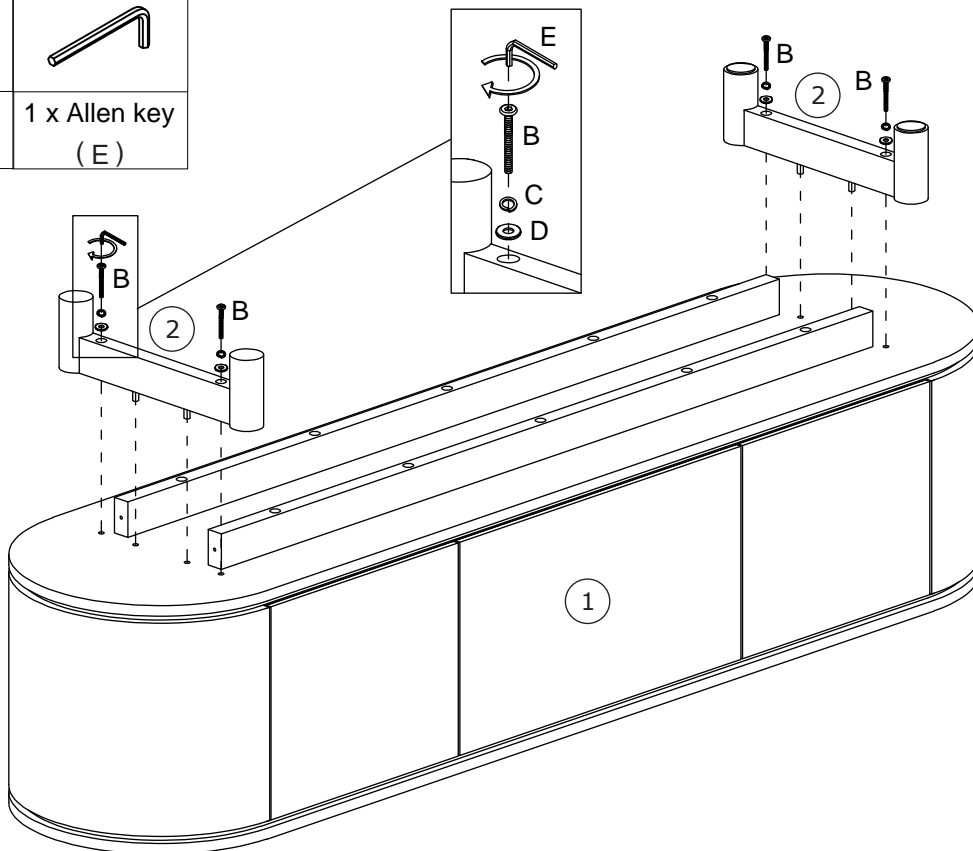
You will need	
	
4 x Wooden dowels (A)	



Insert 4 x Dowels (A) into 2 x Legs (2) as shown.

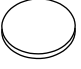
Step 2

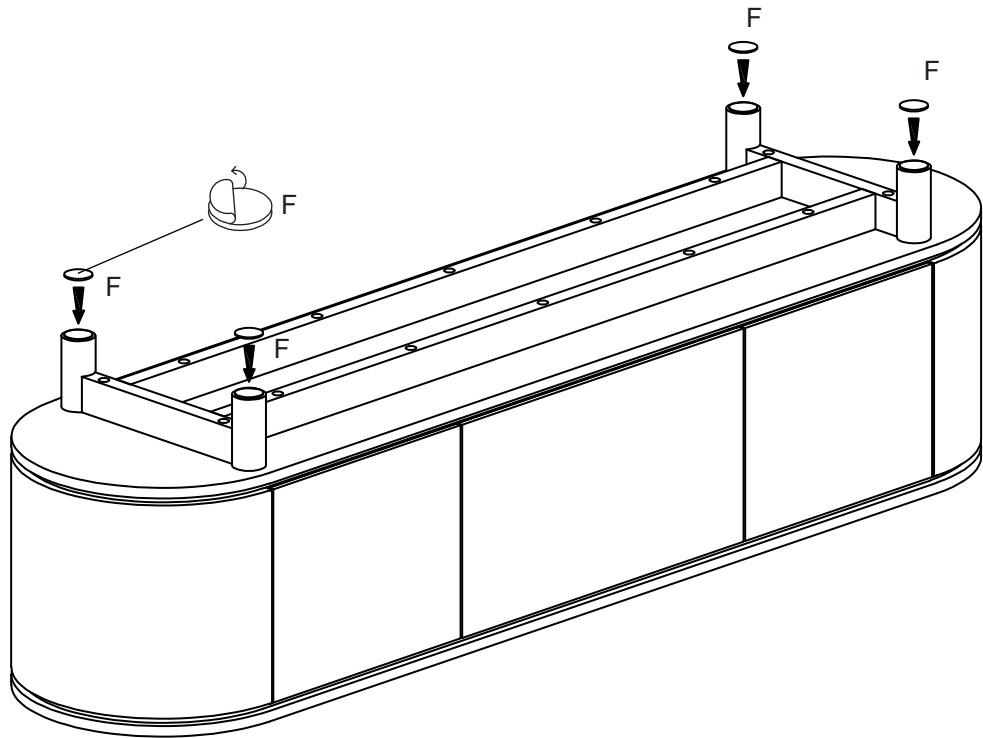
You will need	
	
4 x Bolt (B)	4 x Washer (C)
	
4 x Washer (D)	1 x Allen key (E)



Attach 2 x Legs (2) to Body (1) using 4 x Bolts (B), 4 x Spring Washers (C) and 4 x Washers (D).
Tighten the bolts with Allen Key (E) .

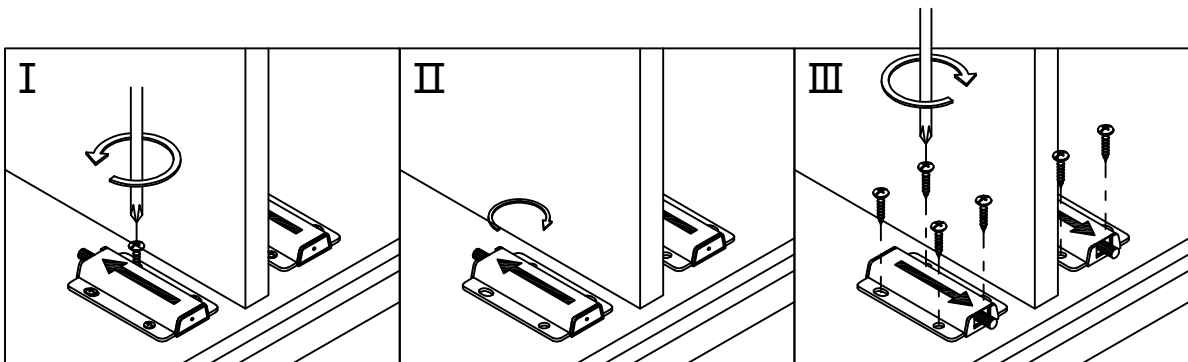
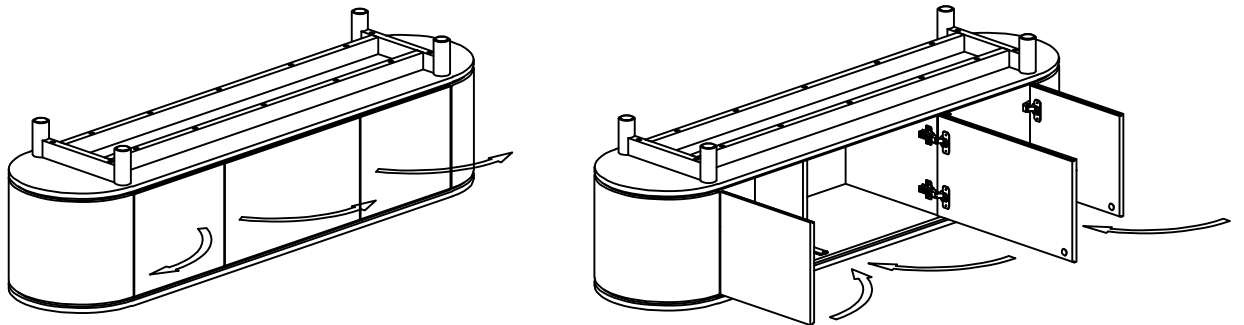
Step 3

You will need

4 x Felt Pads (F)



Attach 4 x Felt Pads (F) to the 4 x Legs.

Step 4



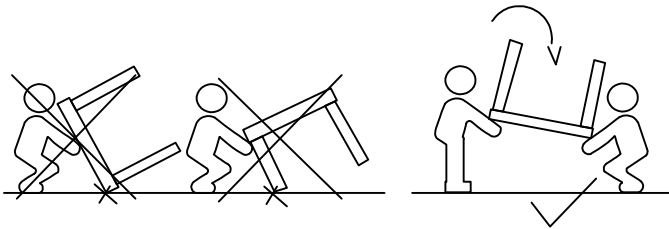
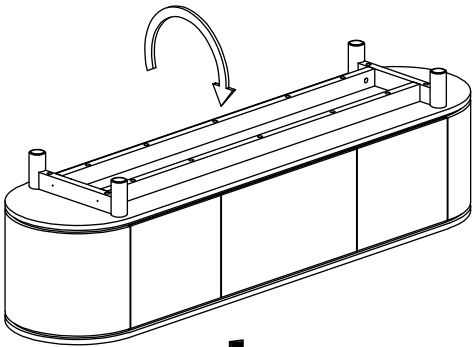
Open the door as shown.

I : Loosen the screws.

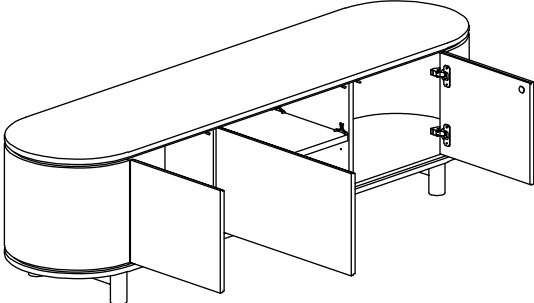
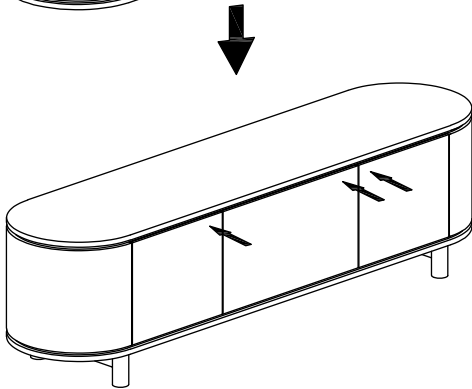
II: Rotate the magnetic push open clips 180deg to face outwards.

III: Tighten screws 100%.

Step 5



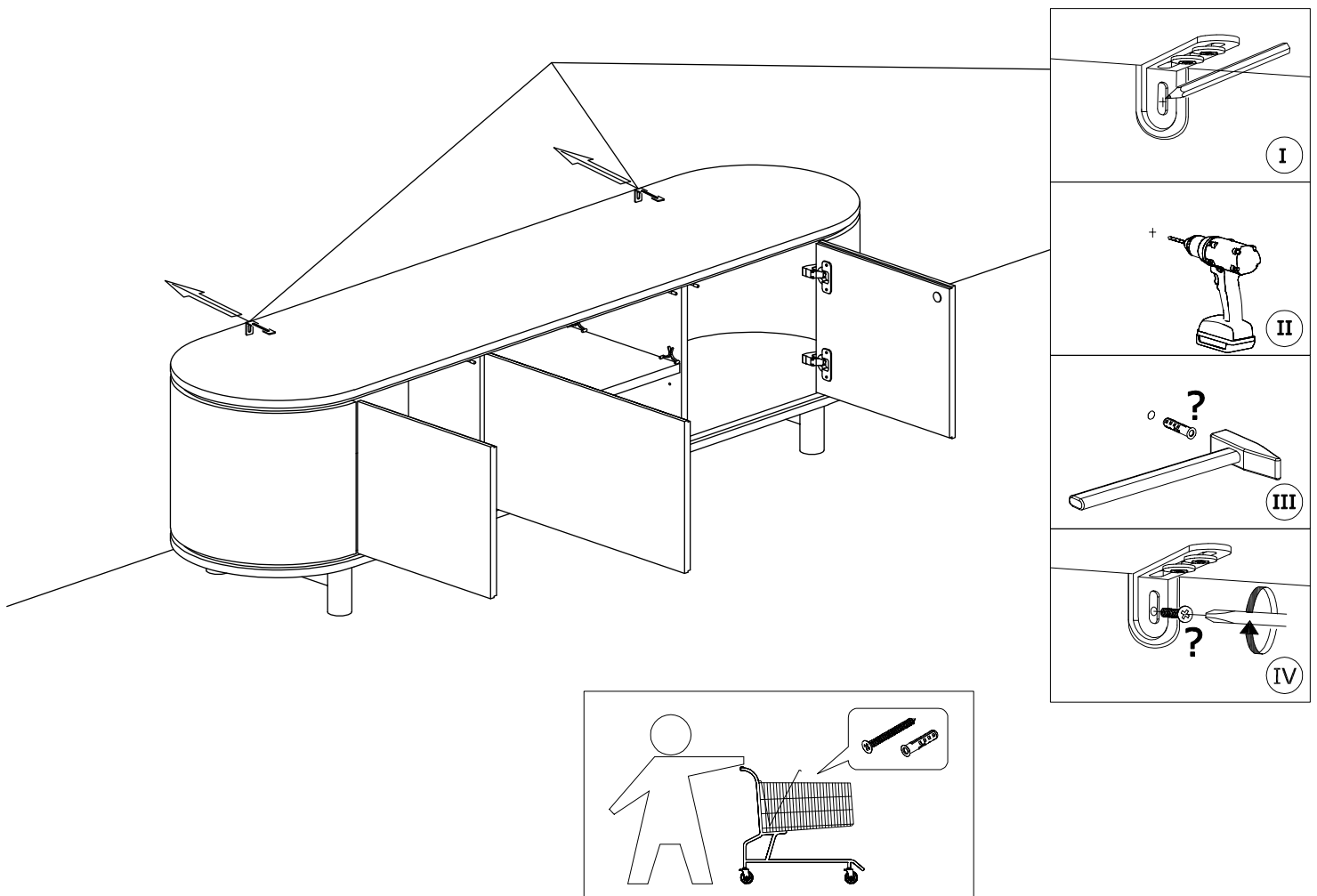
With help, carefully turn the ETU over.



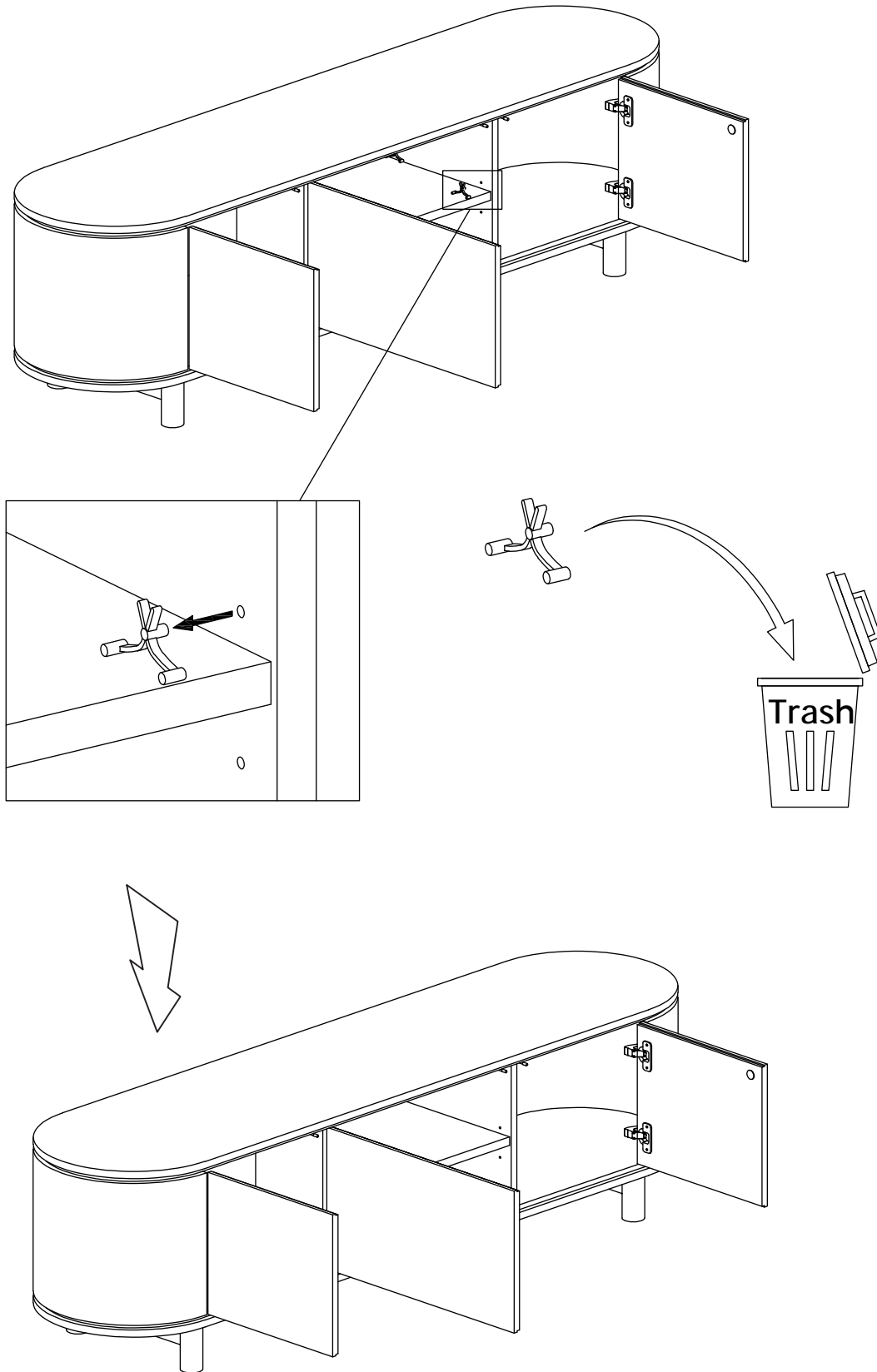
Step 6



- I. With help, move the ETU into position. Mark drilling points on the wall.
- II. If necessary, remove the ETU and drill holes with sizes suitable for your wall fixings.
- III. Install wall fixings in the holes.
- IV. Fix the wall brackets to the wall with appropriate wall fixing screws.
- V. Fasten the wall brackets to the underside of the top panel.



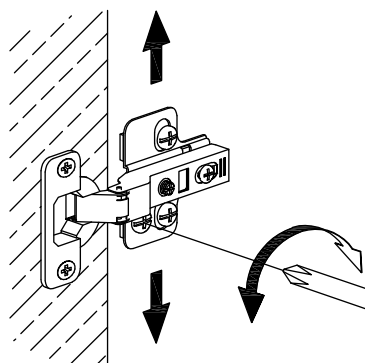
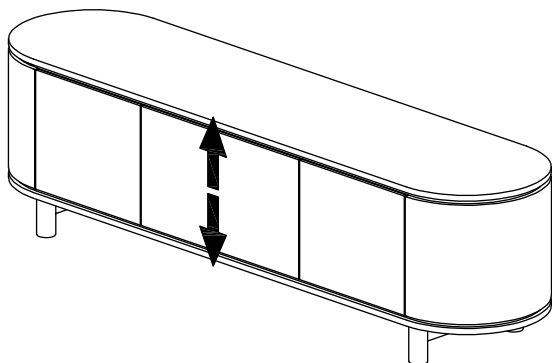
Step 7



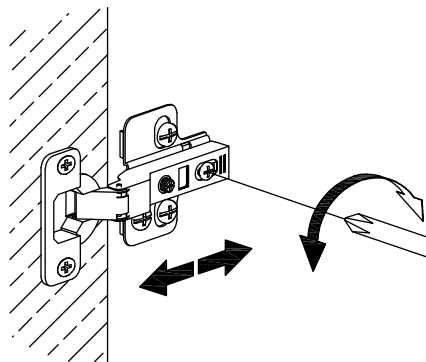
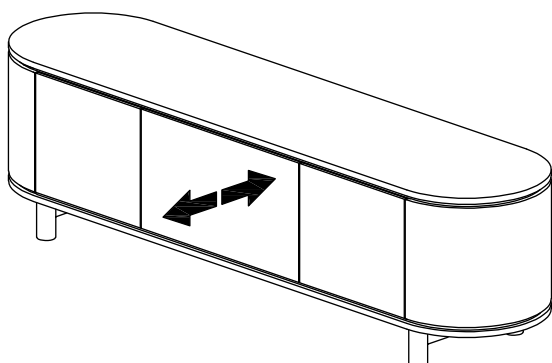
Remove the plastic clips as shown and dispose.
You may adjust the height of the shelves now if you wish.

Step 8

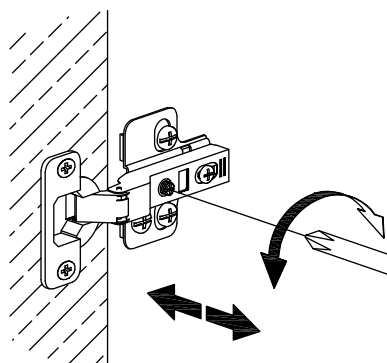
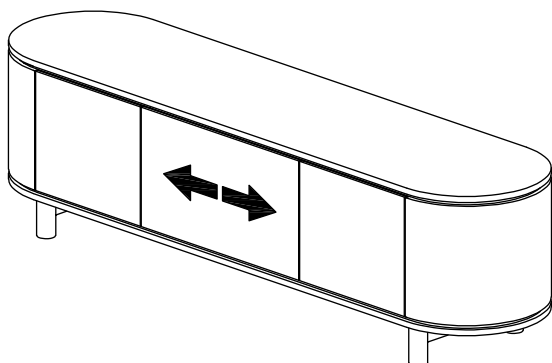
If adjustment is necessary, please follow the steps below:



To move doors up or down:
loosen or tighten the screws on the hinge plate,
as shown.



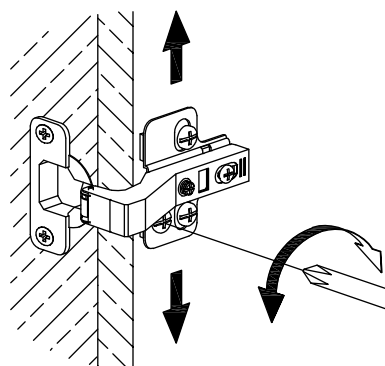
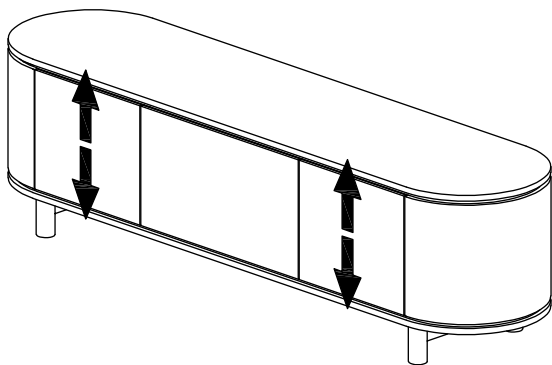
To move doors in or out:
Loosen or tighten the screws on the hinge plate,
as shown.



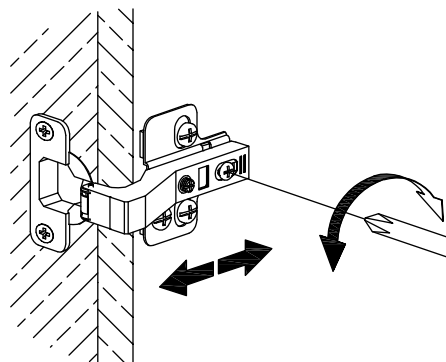
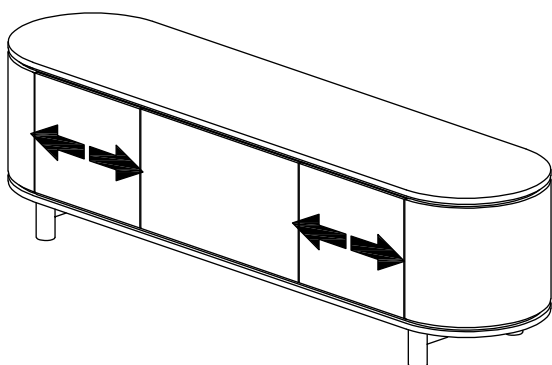
To move doors left or right: loosen or
Loosen or tighten the screws to suit, as shown.

Step 9

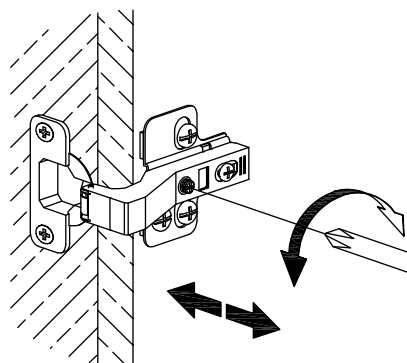
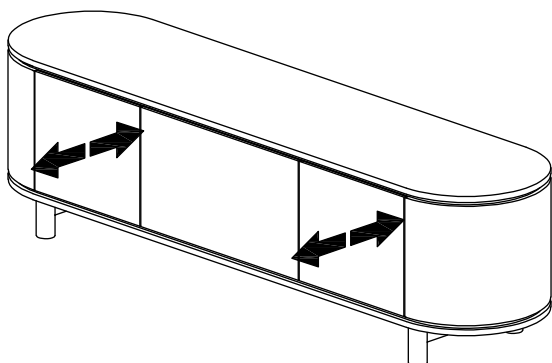
If adjustment is necessary, please follow the steps below:



To move doors up or down:
loosen or tighten the screws on the hinge plate,
as shown.

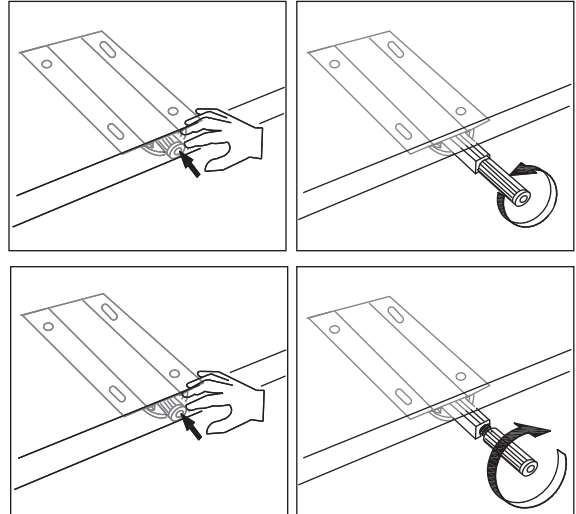
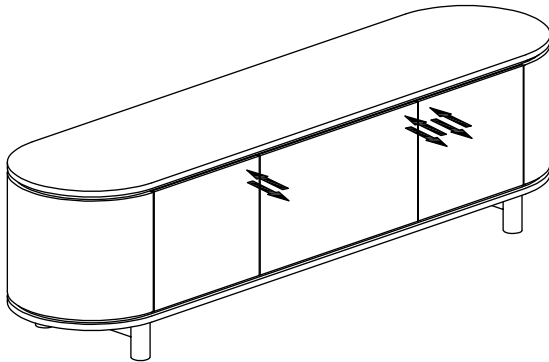


To move doors left or right: loosen or
Loosen or tighten the screws to suit, as shown.



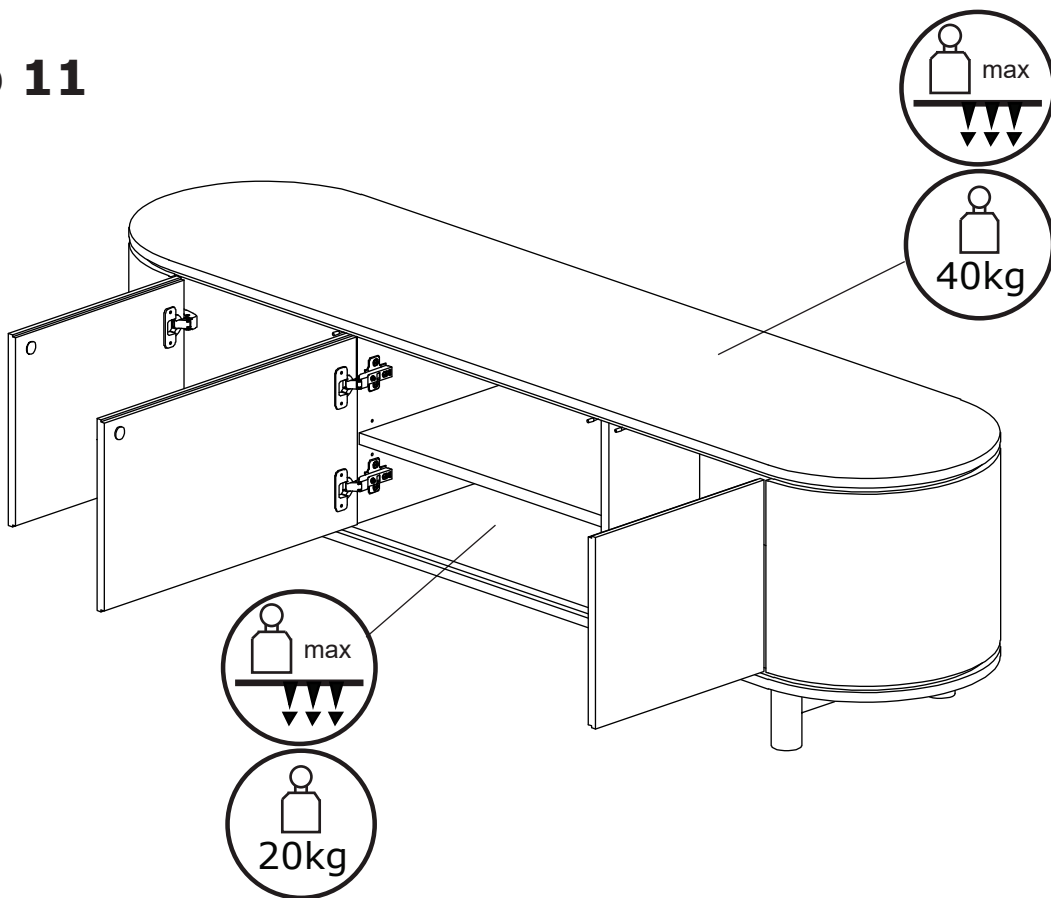
To move doors in or out:
Loosen or tighten the screws on the hinge plate,
as shown.

Step 10



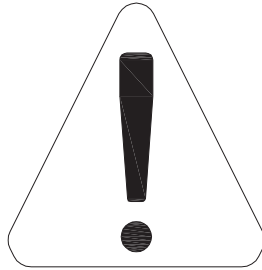
To adjust the push-to-open latches, please follow the steps below:
Push and release the piston once to allow the piston to extend.
Turn the piston clockwise or anti-clockwise to adjust the position of the piston.
Push the piston once to retract the piston.

Step 11



Job Complete !

In the interest of our environment Please dispose of all packaging thoughtfully.



THIS PRODUCT IS FINISHED WITH LACQUER

Avoid placing hot items directly onto the surface unless using a thick insulation material such as placemats or coasters. Heat may lead to discolouration or other damage to the surface of the product.

Use a soft cloth that has been dampened in water to clean the surface of this product. Do not use abrasive cleaners, furniture wax or polish on the surface of this product, as it may damage the surface.

CAUTION: FREQUENT EXPOSURE TO DIRECT SUNLIGHT OR SIMILAR SOURCES MAY CAUSE THE SURFACE TO DISCOLOUR OR FADE.