

Assembly Instruction

SAFETY WARNING !

A)

WARNING : TOP BUNKS AND ELEVATED BEDS

ARE DANGEROUS AND ARE NOT RECOMMENDED

FOR CHILDREN UNDER THE AGE OF 9

Falls from elevated beds can be fatal and deaths have occurred where children have fallen from elevated beds. This is relevant for all ages. The risk is greater for younger children.

The risk of injury or death from a fall from an elevated bed compared to a non-elevated bed is :

10 x greater for 7-8 year olds

7 x greater for 9-10 year olds

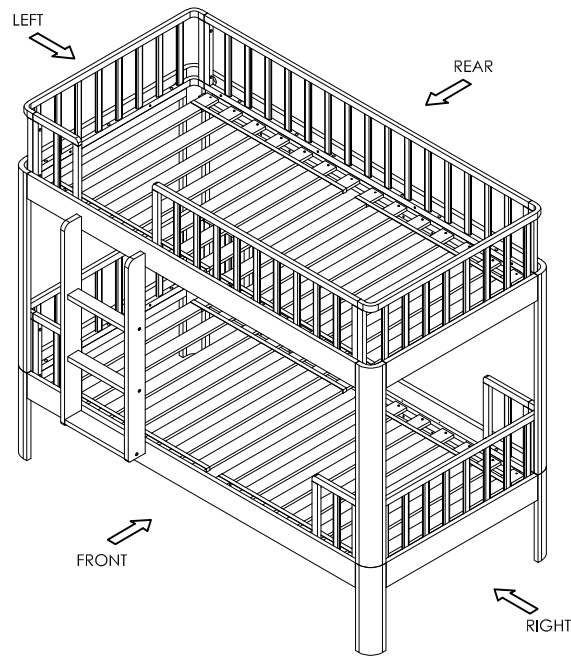
3 x greater for 11-12 year olds

B) Children should be discouraged from playing on the bunk bed.

C) The bunk bed should be checked periodically to ensure that the guardrail, access device and other components are maintained in the correct position and state of repair and that all connectors are tight.

D) **WARNING** : The upper bunk must be more than 2m from any ceiling fan.

ASSEMBLY INSTRUCTIONS



"Slat base is using the timber wood material which is LVL (Laminated Veneer Lumber). Laminated veneer lumber (LVL) is an engineered wood product that uses multiple layers of thin wood assembled with adhesives, and it is comparable in strength to solid timber slat. Some of the slat you might find the timber wood joiner which is not a crack or defect which is still strong and solid".

ASSEMBLY TIPS







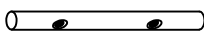




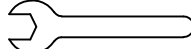
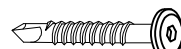


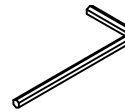
1. Remove hardware from box and sort by size.
2. Please check to see that all hardware and parts are present prior start of assembly.
3. Please follow attached instructions in the same sequence as numbered to assure fast and easy assembly.


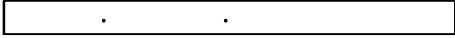
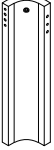
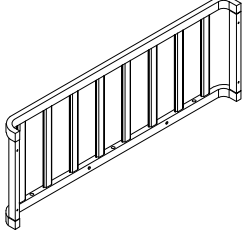
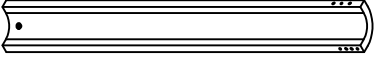
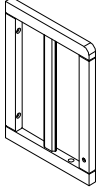
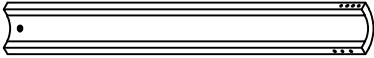
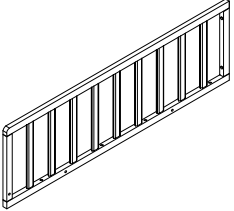

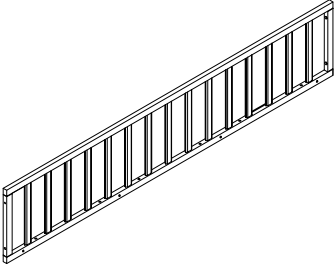
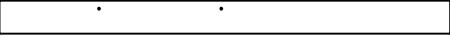
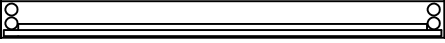


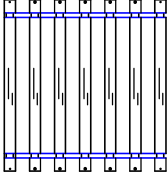
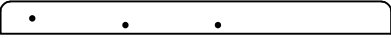
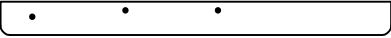



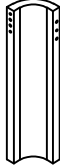
Warning !

1. Don't attempt to repair or modify parts that are broken or defective. Please contact the store immediately.
2. This product is for home use only and not intended for commercial establishments.

HARDWARE LIST

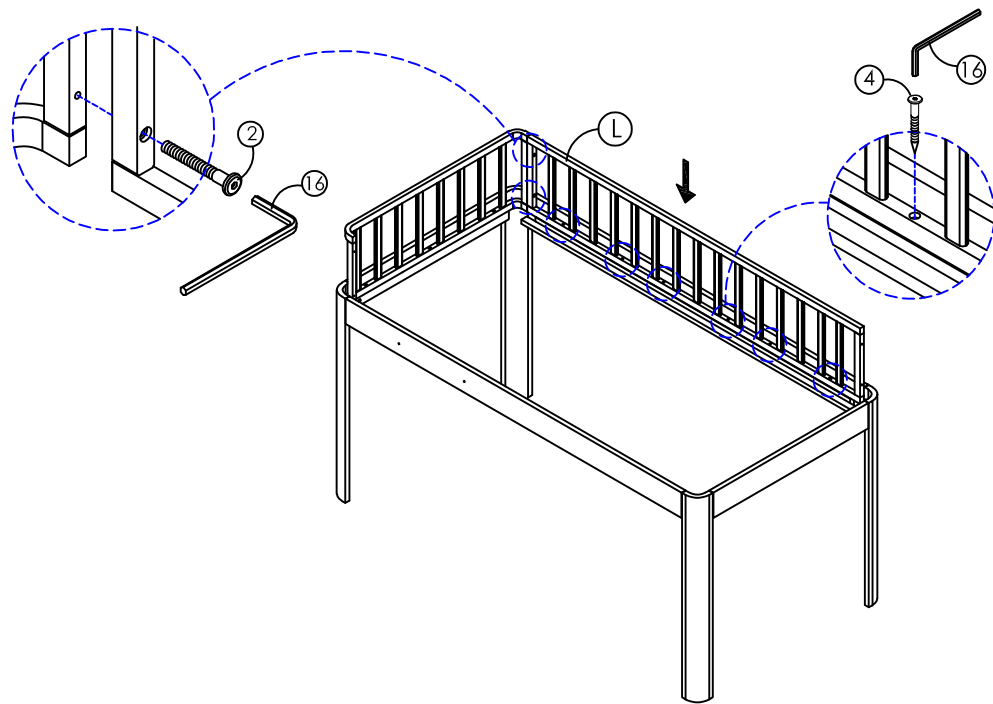
| | | | | | | | |
|------------------|--|-----------------------|--|----------------------------|--|--------------|---|
| 1 |  7 PCS | 5 |  16 PCS | 9 |  6 PCS | 13 |  24 PCS |
| JCBC M6 x 60mm | | JCBC-W M6 x 30mm | | BARREL NUT M6 x 13mm | | HEX NUT | |
| 2 |  20 PCS | 6 |  60 PCS | 10 |  4 PCS | 14 |  4 PCS |
| JCBC M6 x 40mm | | WOOD SCREW 4.0 x 30mm | | METAL HOLLOW PIN WITH HOLE | | L - BRACKET | |
| 3 |  8 PCS | 7 |  8 PCS | 11 |  24 PCS | 15 |  1 PC |
| JCBC M6 x 16mm | | WOOD SCREW 3.5 x 16mm | | HANGER BOLT | | WRENCH | |
| 4 |  27 PCS | 8 |  40 PCS | 12 |  24 PCS | 16 |  1 PC |
| JCBC-W M6 x 40mm | | WOOD DOWEL Ø10 x 30mm | | H/M WASHER | | ALLEN KEY M4 | |

| COMPONENT LIST | | | |
|----------------|--|---|--|
| A |  <p>LOWER LEG (LEFT REAR - RIGHT FRONT)</p> | H |  <p>UPPER FRONT SIDE RAIL</p> |
| B |  <p>LOWER LEG (RIGHT REAR - LEFT FRONT)</p> | I |  <p>HEADBOARD / FOOTBOARD FRAME</p> |
| C |  <p>UPPER LEG (LEFT REAR - RIGHT FRONT)</p> | J |  <p>SHORT GUARD FRAME</p> |
| D |  <p>UPPER LEG (RIGHT REAR - LEFT FRONT)</p> | K |  <p>UPPER FRONT GUARD FRAME</p> |
| E |  <p>HEADBOARD / FOOTBOARD RAIL</p> | L |  <p>UPPER REAR GUARD FRAME</p> |
| F |  <p>LOWER FRONT SIDE RAIL</p> | | |
| G |  <p>UPPER & LOWER REAR SIDE RAIL</p> | | |

| COMPONENT LIST | |
|----------------|--|
| M |  <p>SLAT</p> |
| N |  <p>RIGHT LADDER RAIL</p> |
| O |  <p>LEFT LADDER RAIL</p> |
| P |  <p>UPPER LADDER STRETCHER</p> |
| Q |  <p>LOWER LADDER STRETCHER</p> |
| R |  <p>EXTRA LOWER LEG (LEFT REAR - RIGHT FRONT)</p> |
| S |  <p>EXTRA LOWER LEG (RIGHT REAR - LEFT FRONT)</p> |

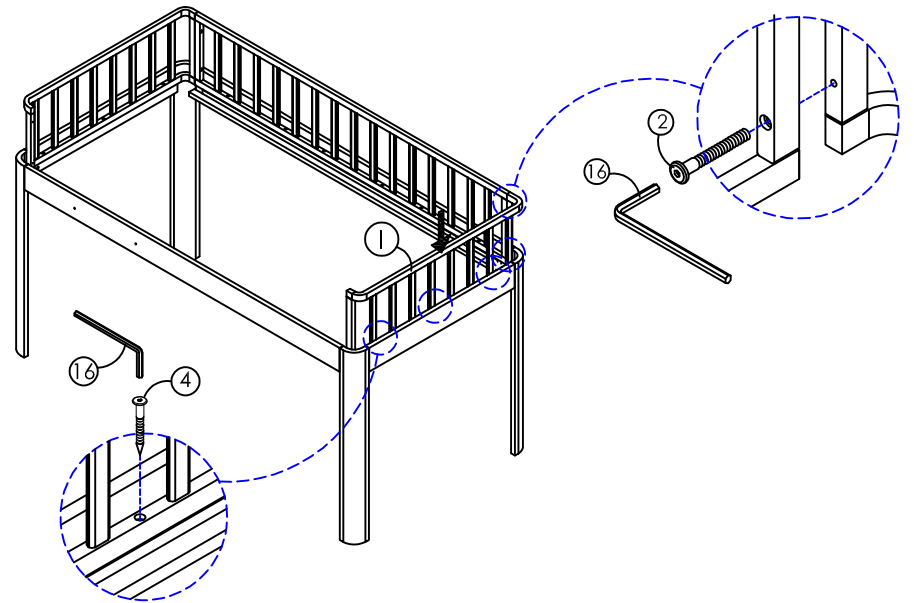
STEP 5

UPPER BED



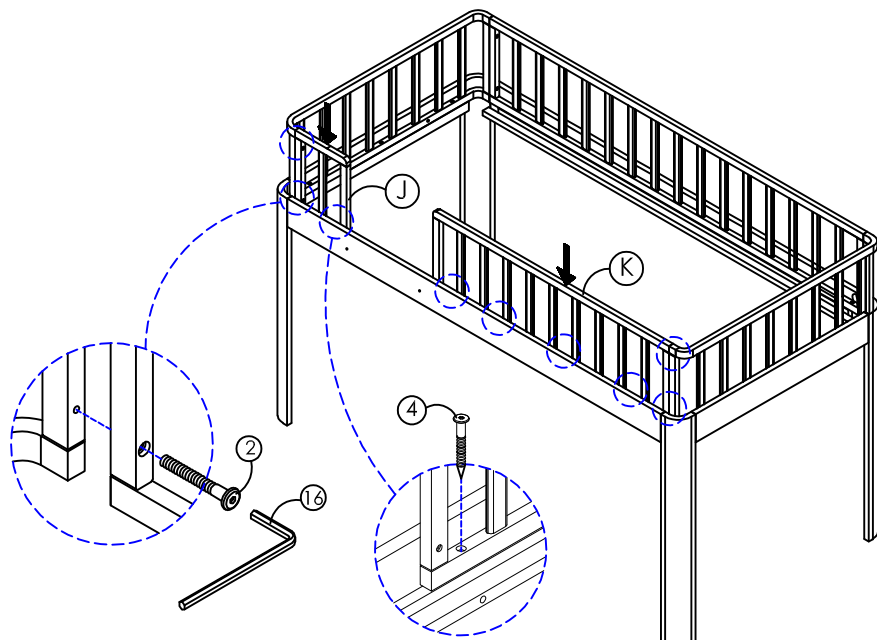
STEP 6

UPPER BED



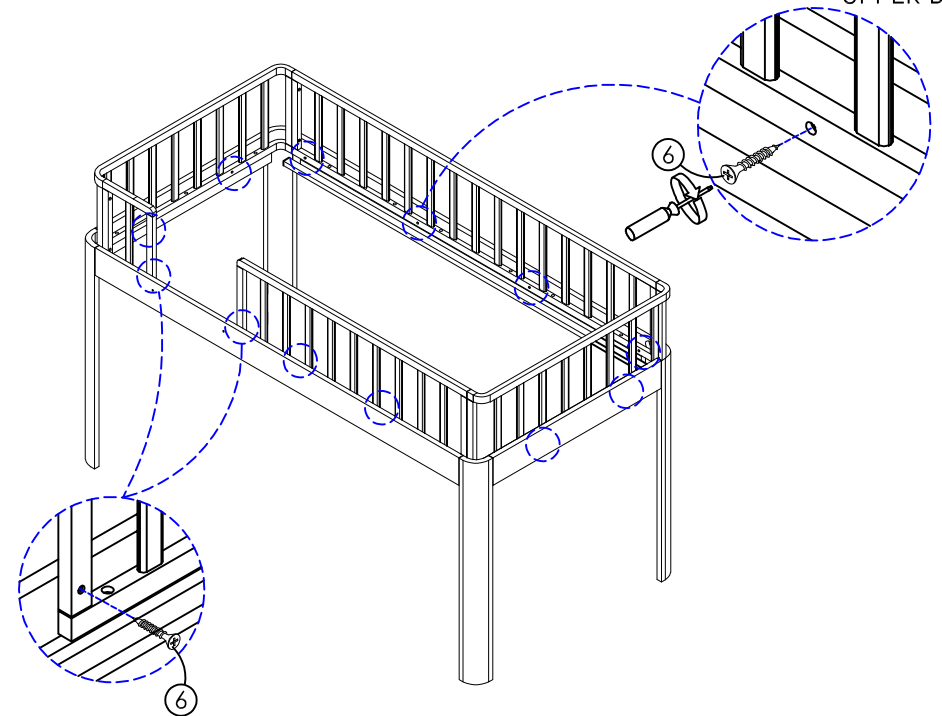
STEP 7

UPPER BED



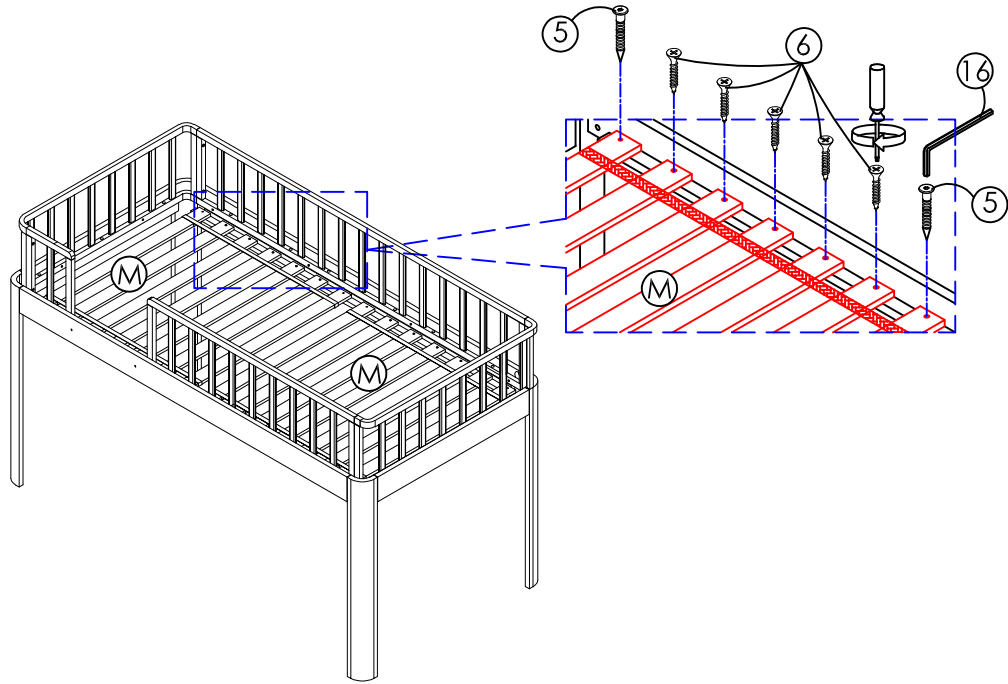
STEP 8

UPPER BED



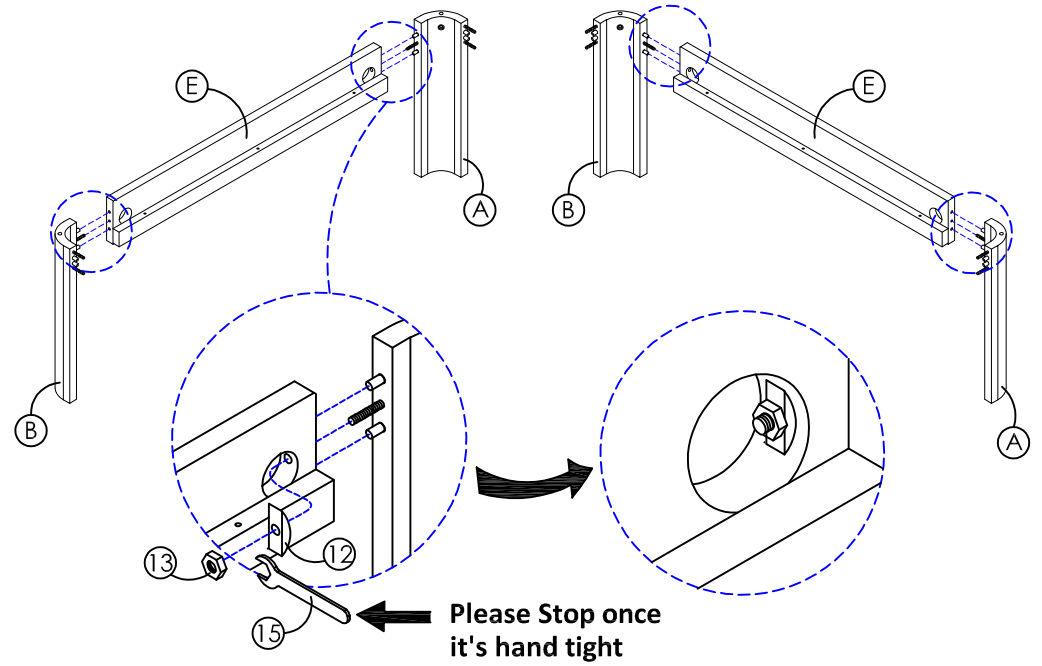
STEP 9

UPPER BED



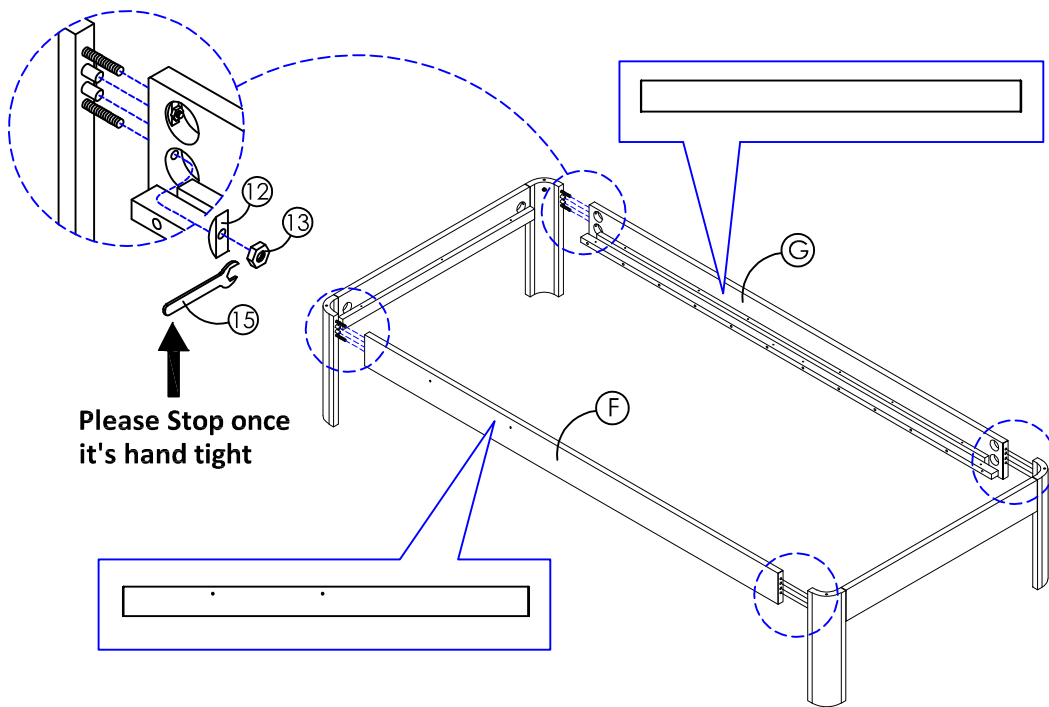
STEP 10

LOWER BED



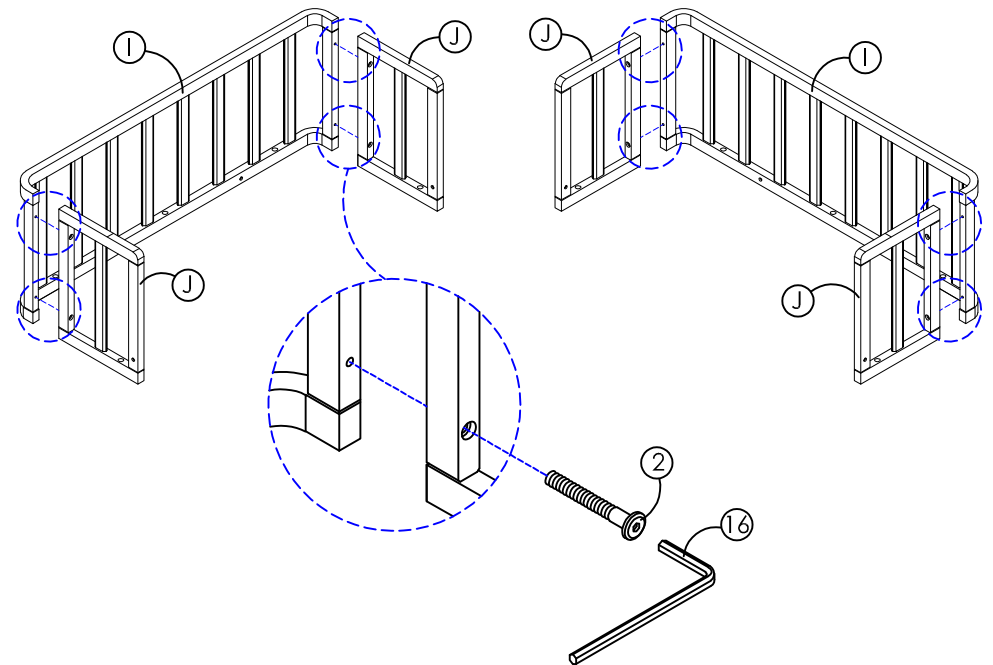
STEP 11

LOWER BED

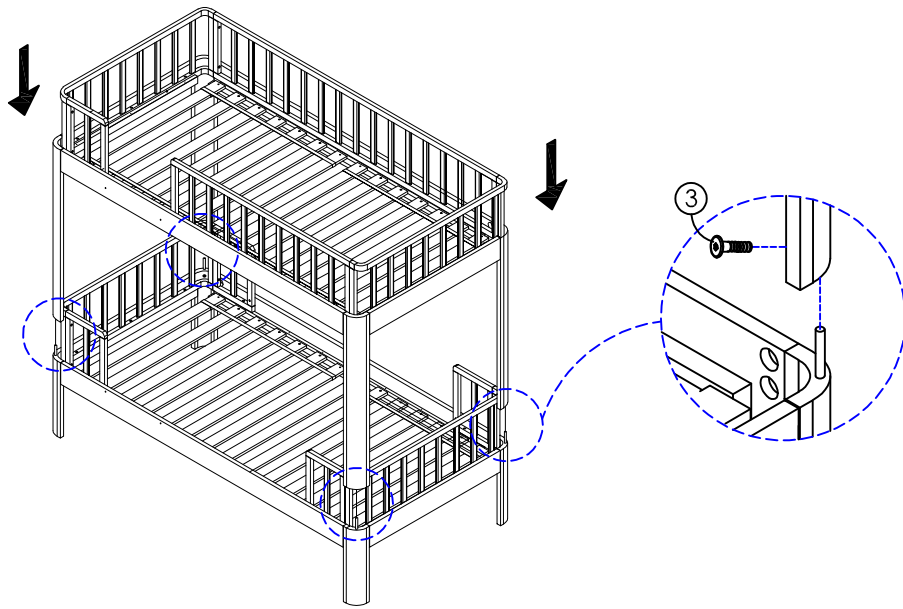


STEP 12

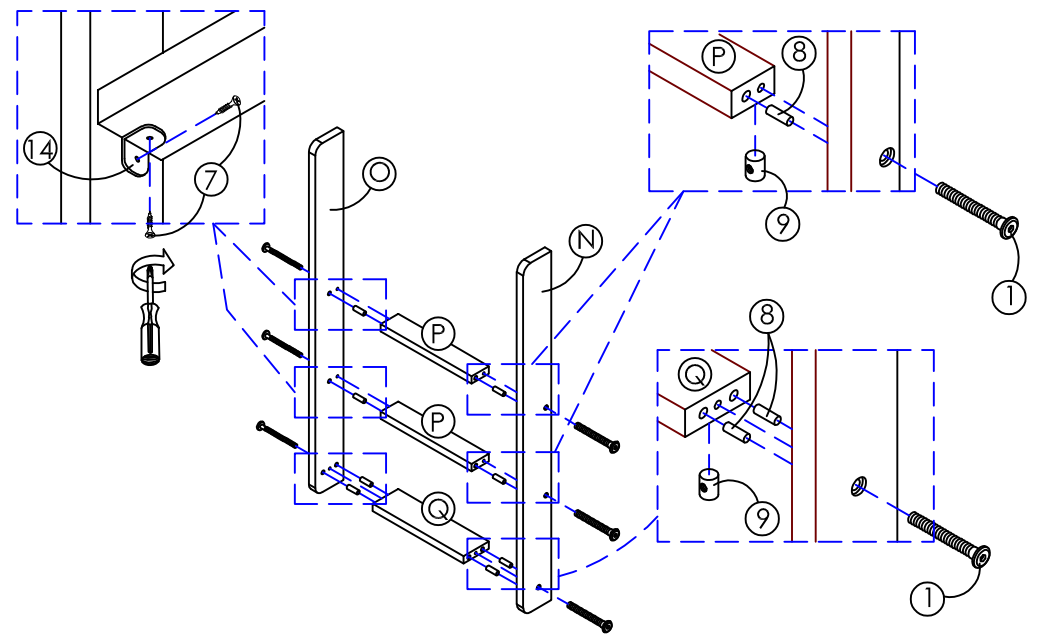
LOWER BED



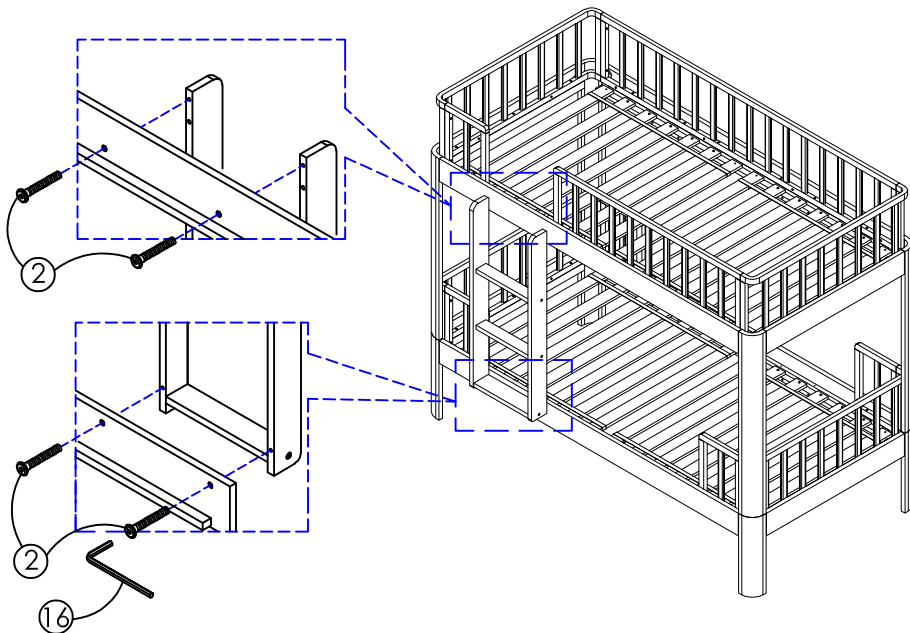
STEP 17



STEP 18

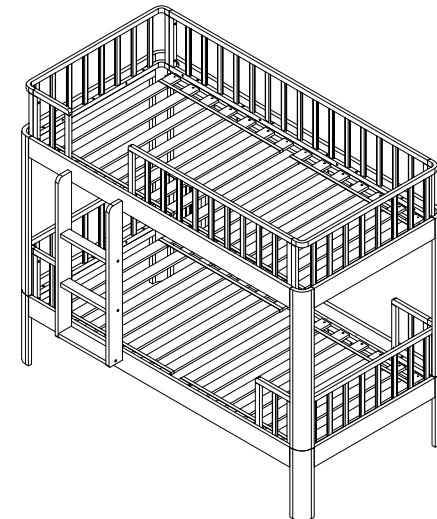


STEP 19

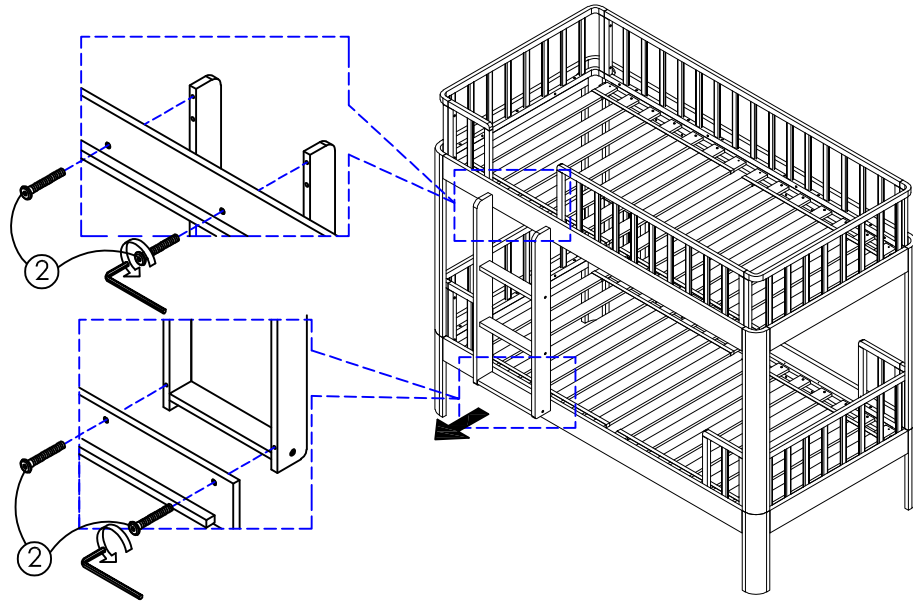


STEP 20

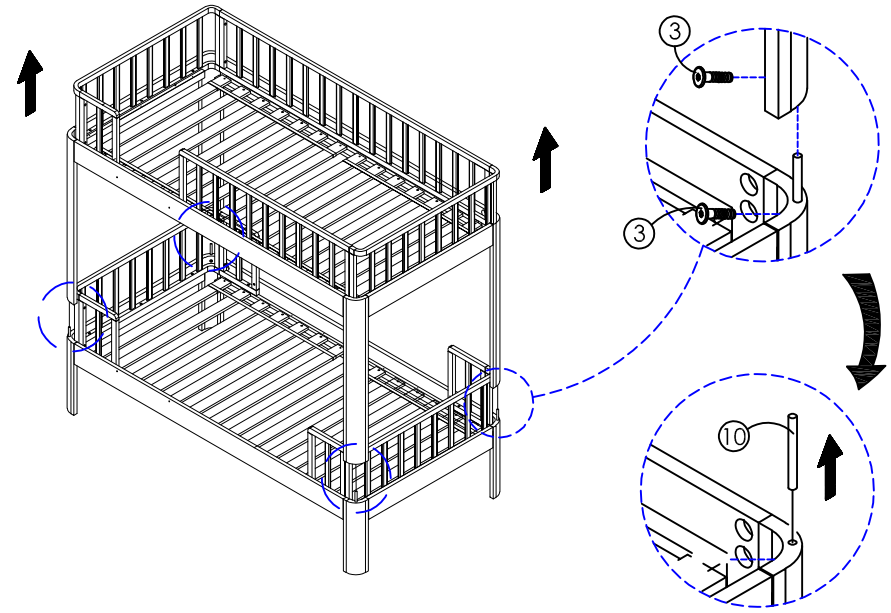
COMPLETE ASSEMBLY FOR BUNK BED.



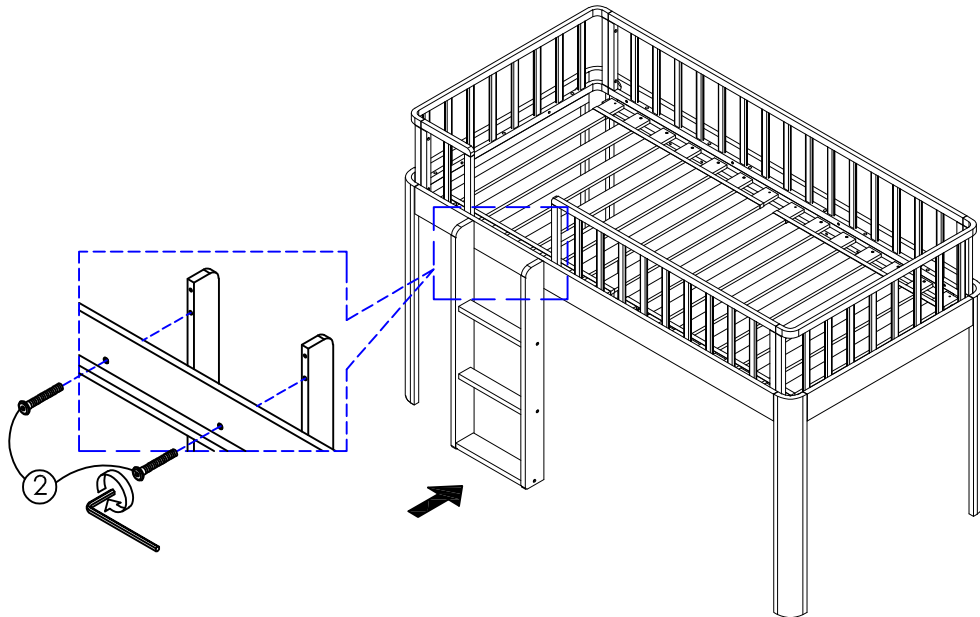
STEP 21
INSTRUCTION TO CHANGE THE BUNK BED TO KIDS LOFT.



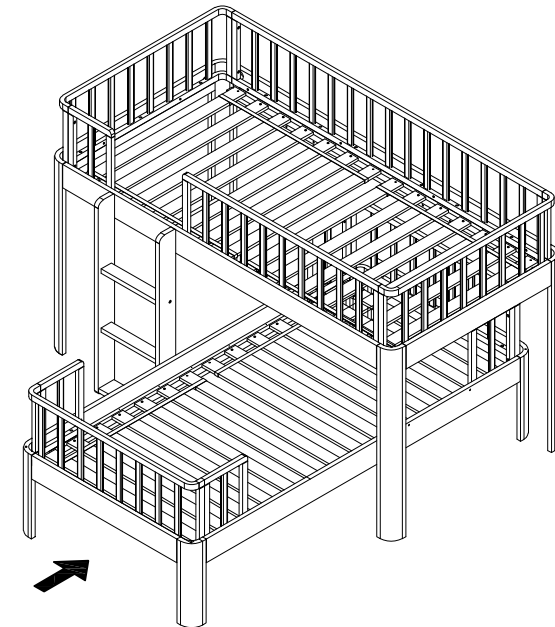
STEP 22



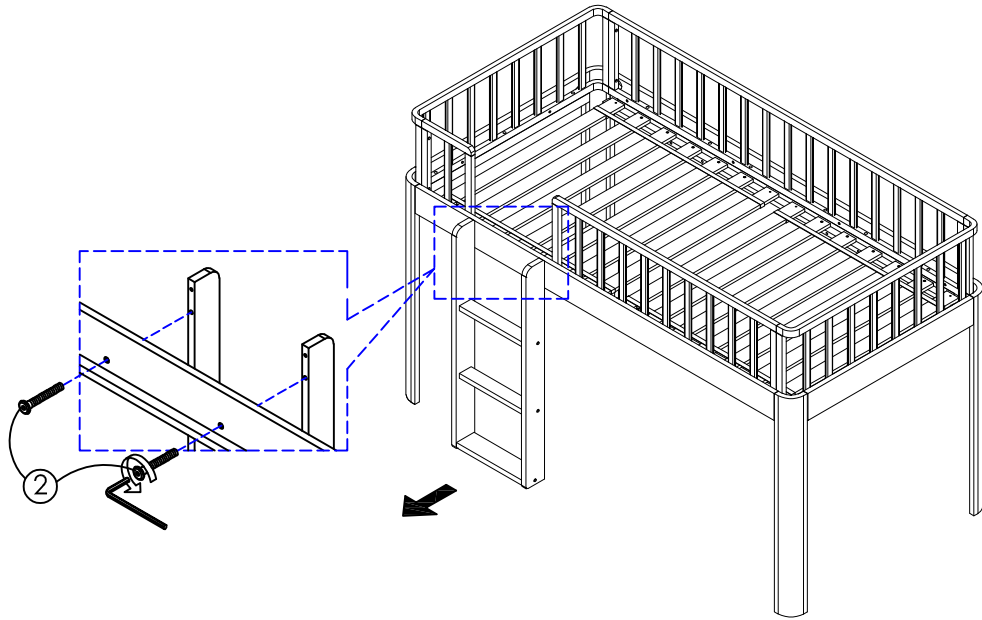
STEP 23



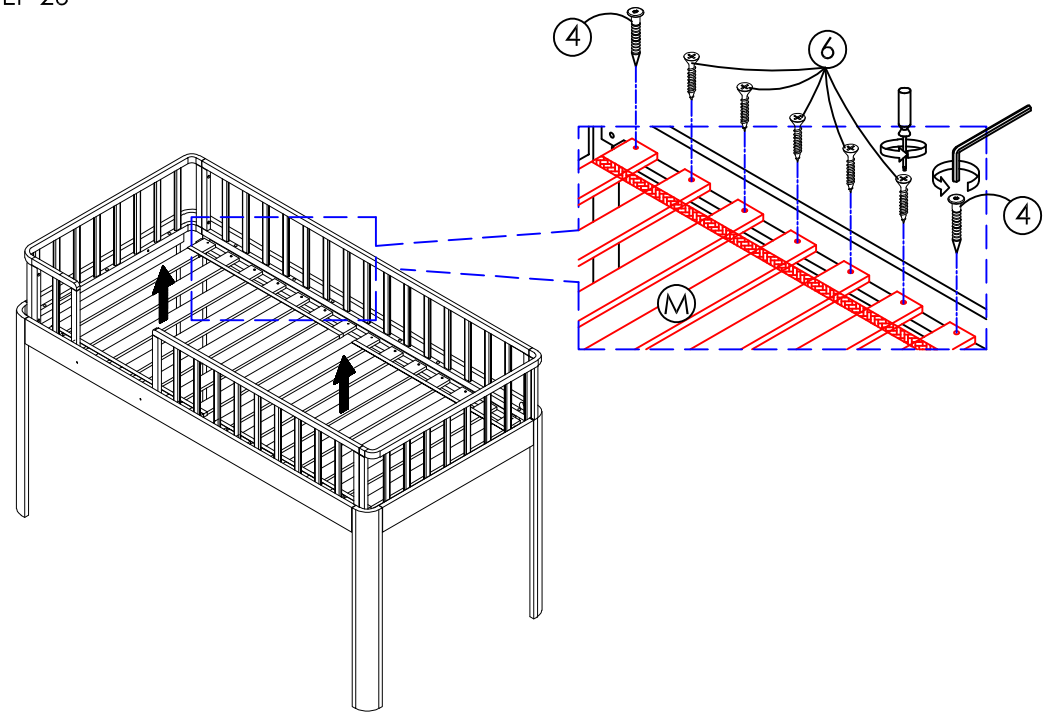
STEP 24
COMPLETE ASSEMBLY FOR KIDS LOFT.



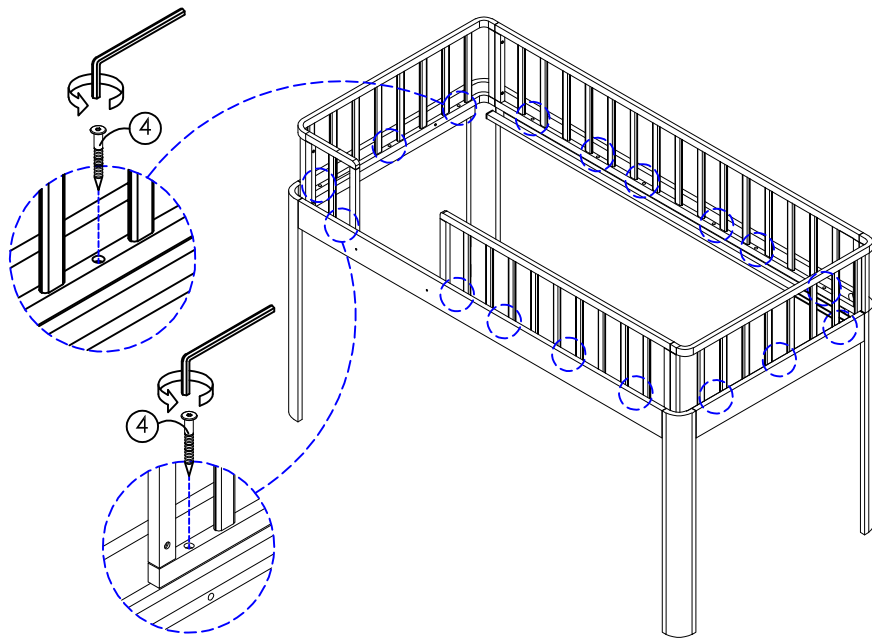
STEP 25
INSTRUCTION TO CHANGE THE KIDS LOFT TO TODDLER BED.



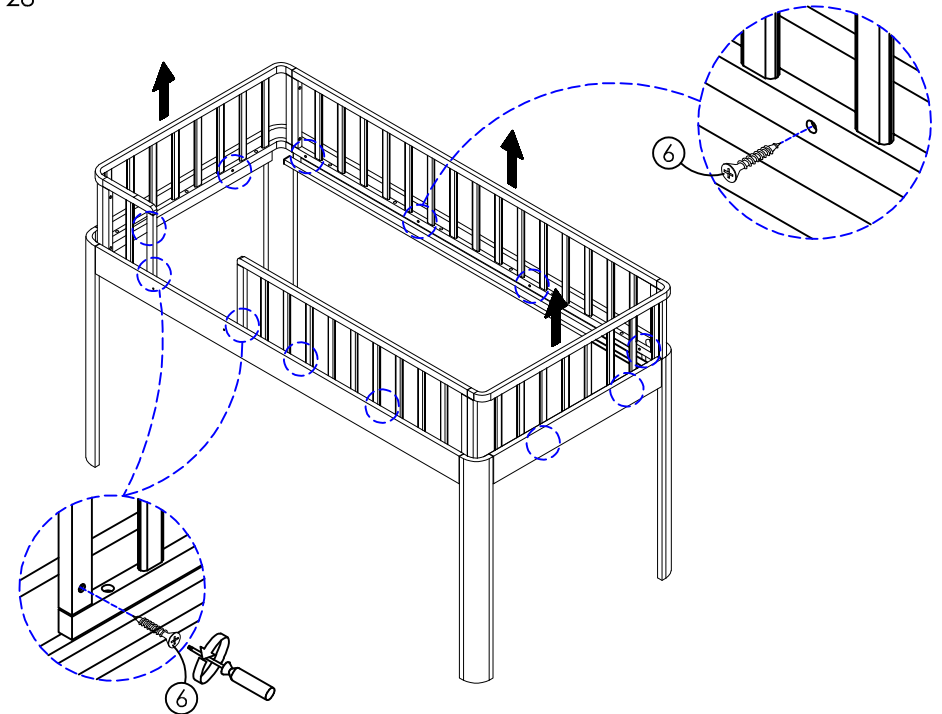
STEP 26



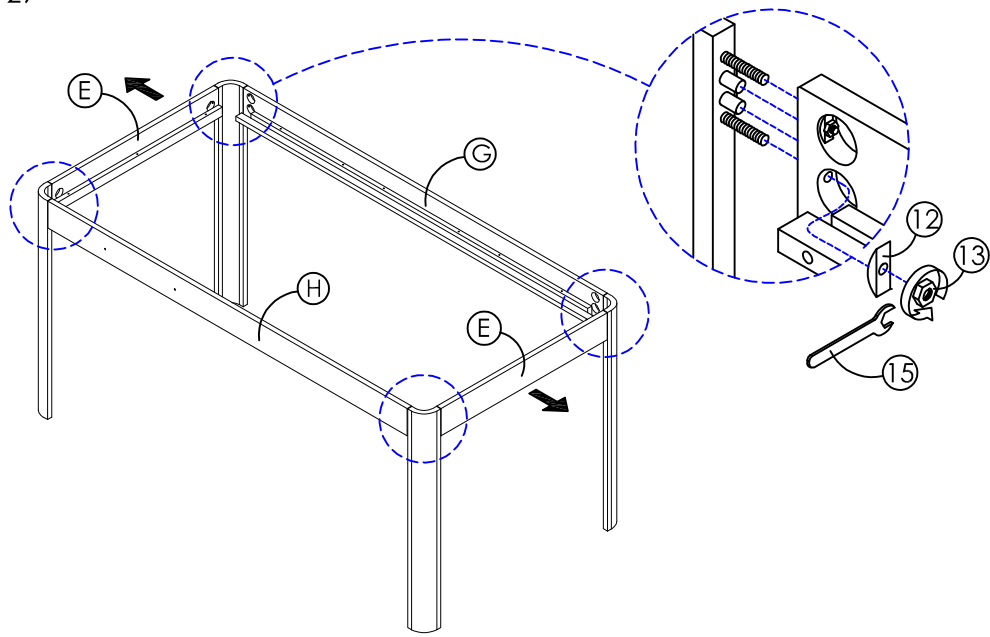
STEP 27



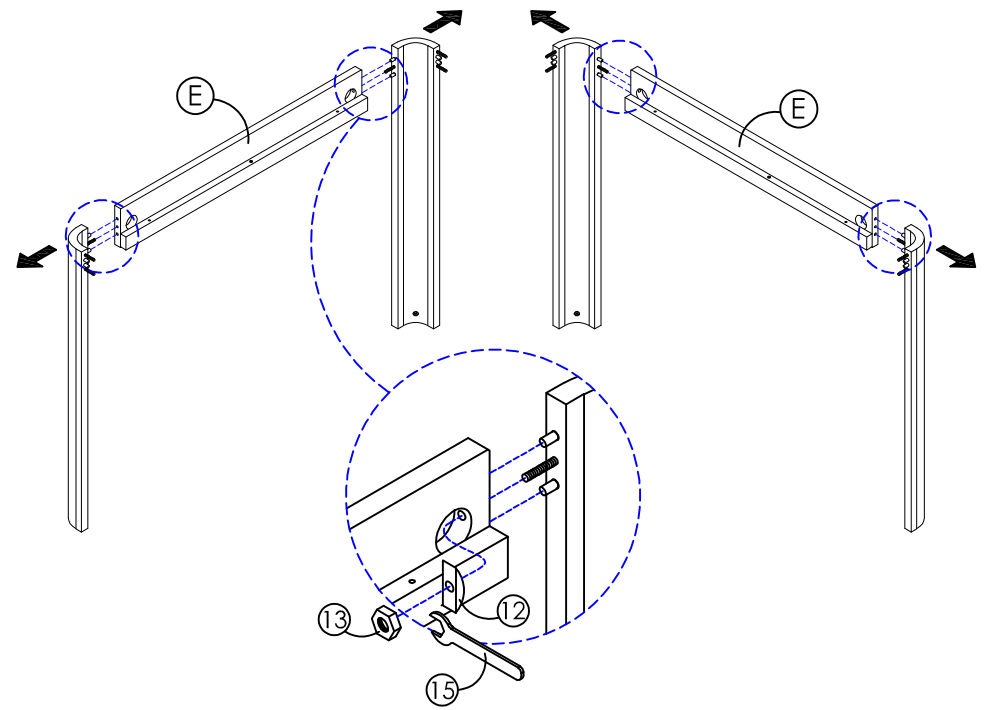
STEP 28



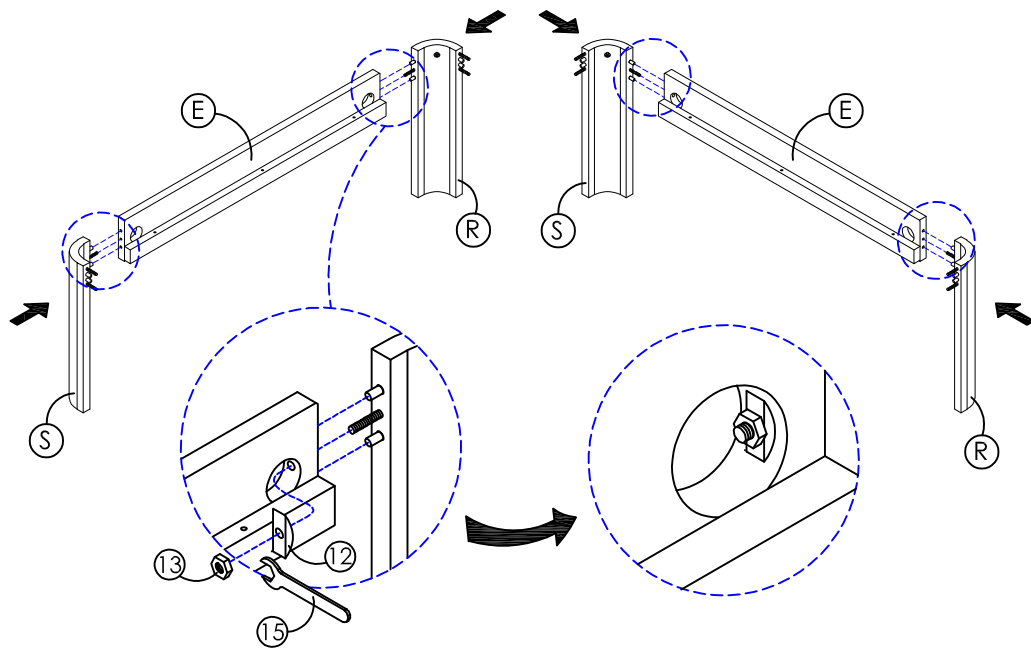
STEP 29



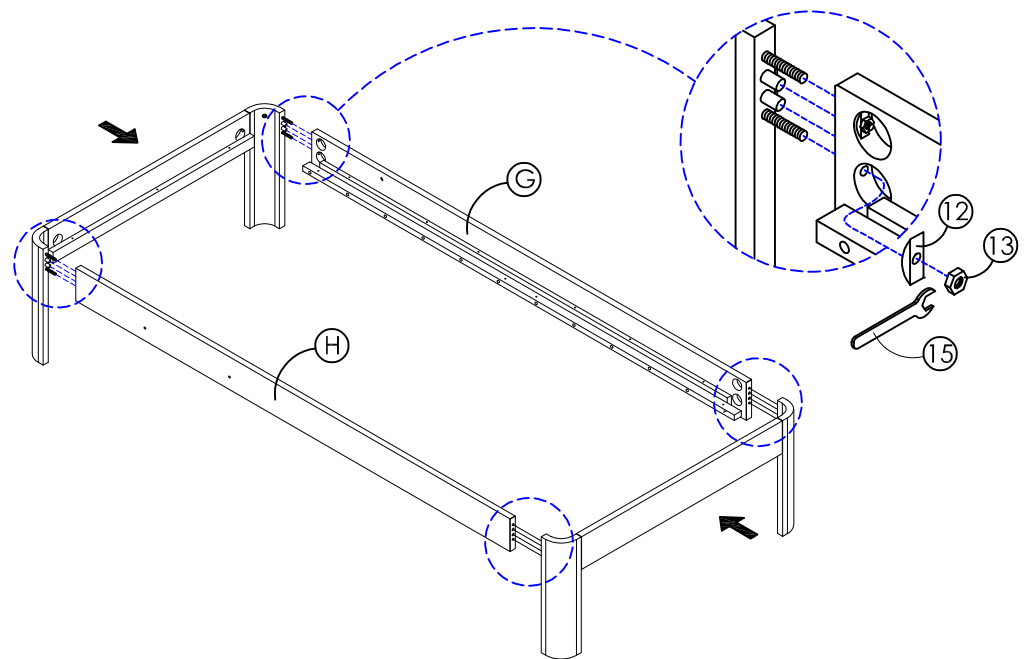
STEP 30



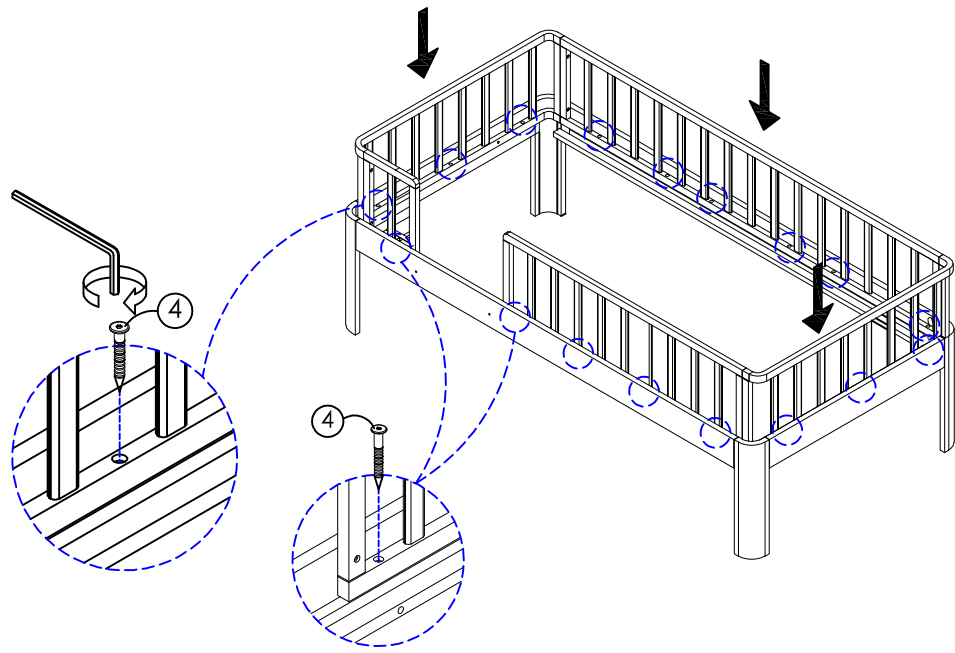
STEP 31



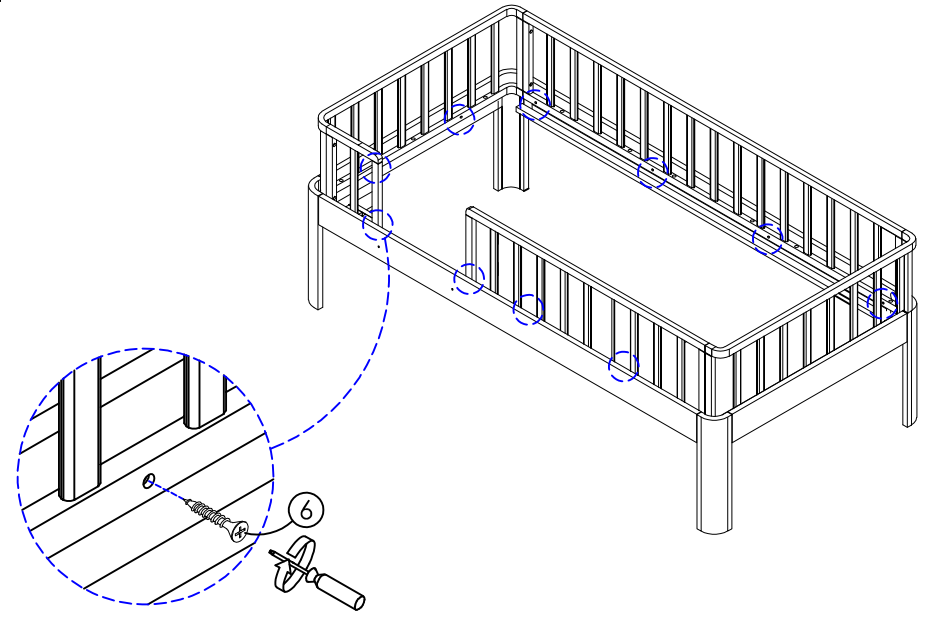
STEP 32



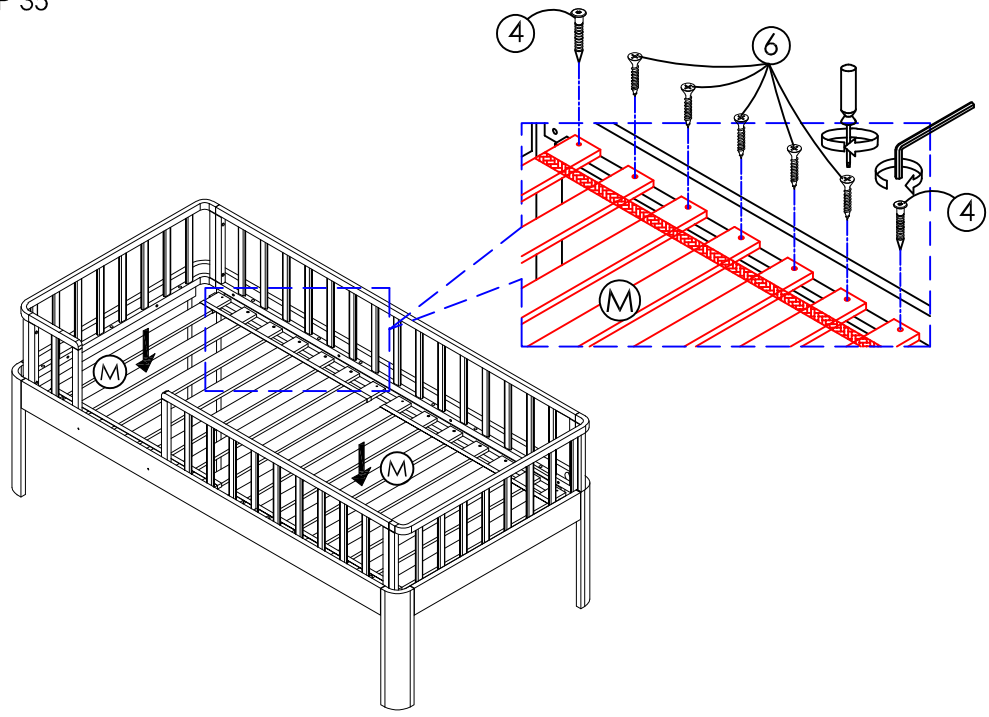
STEP 33



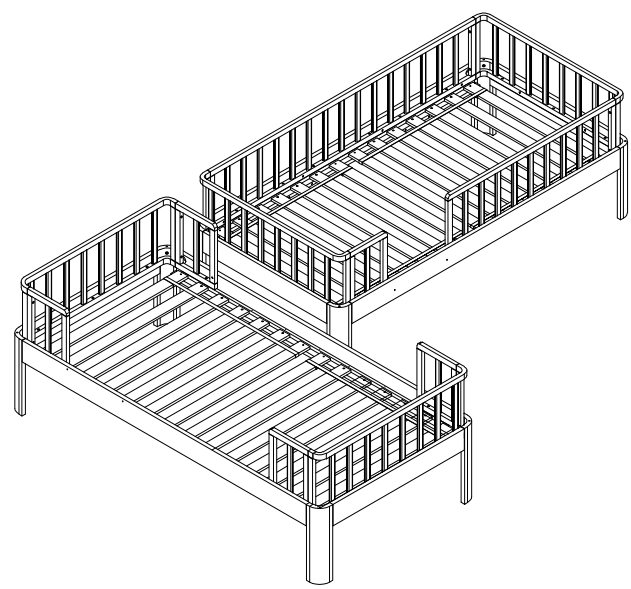
STEP 34



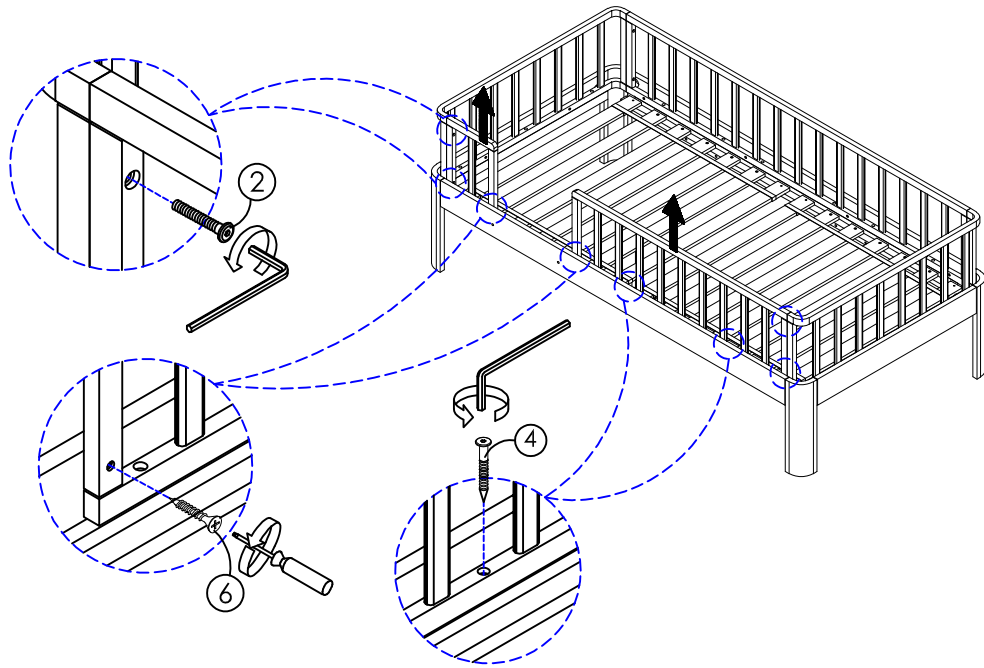
STEP 35



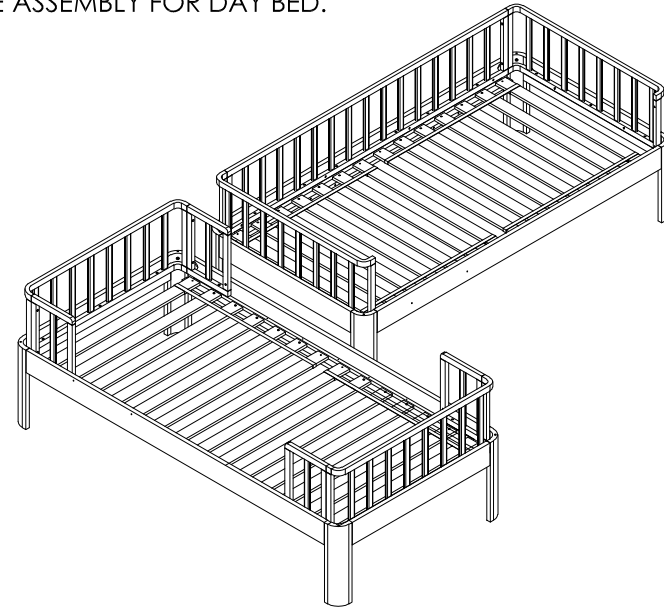
STEP 36
COMPLETE ASSEMBLY FOR TODDLER BED.



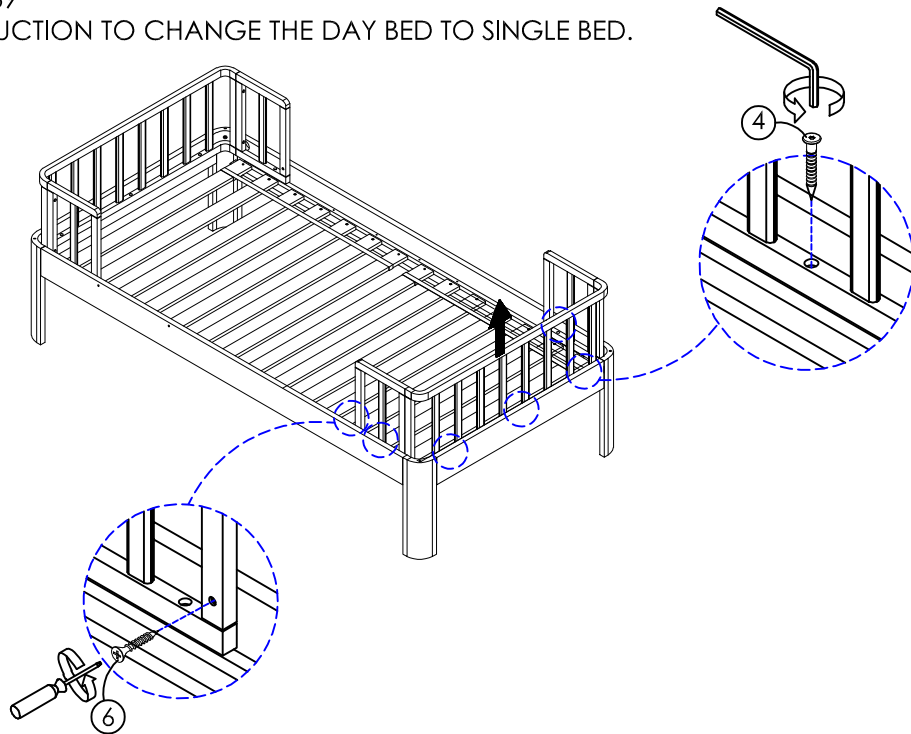
STEP 37
INSTRUCTION TO CHANGE THE TODDLER BED TO DAY BED.



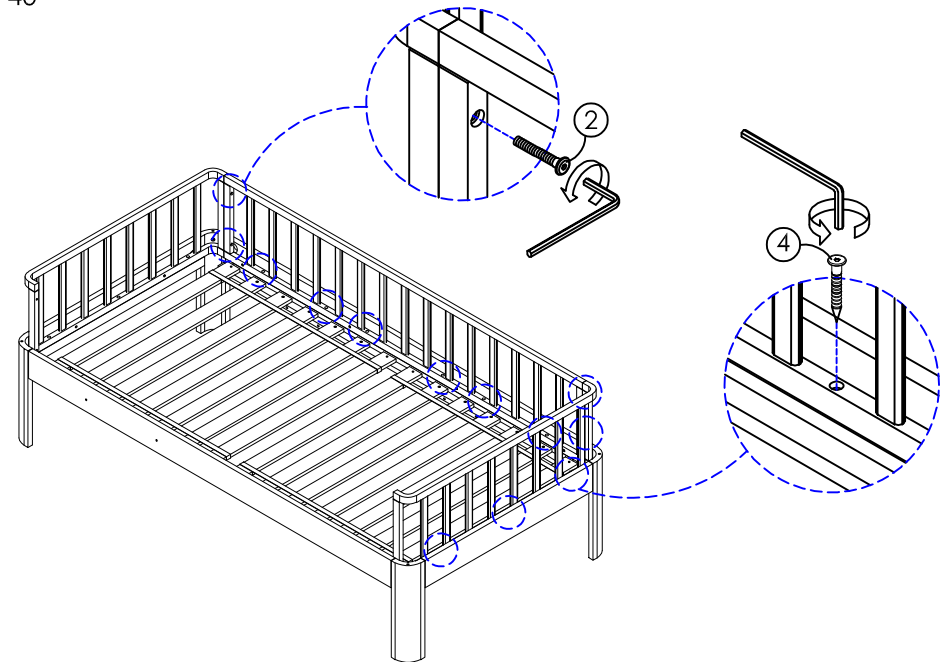
STEP 38
COMPLETE ASSEMBLY FOR DAY BED.



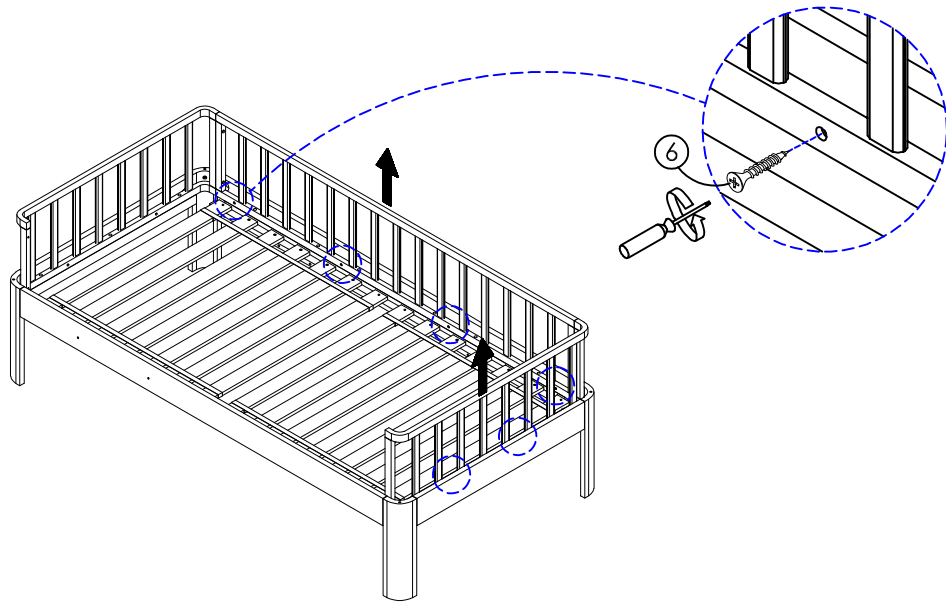
STEP 39
INSTRUCTION TO CHANGE THE DAY BED TO SINGLE BED.



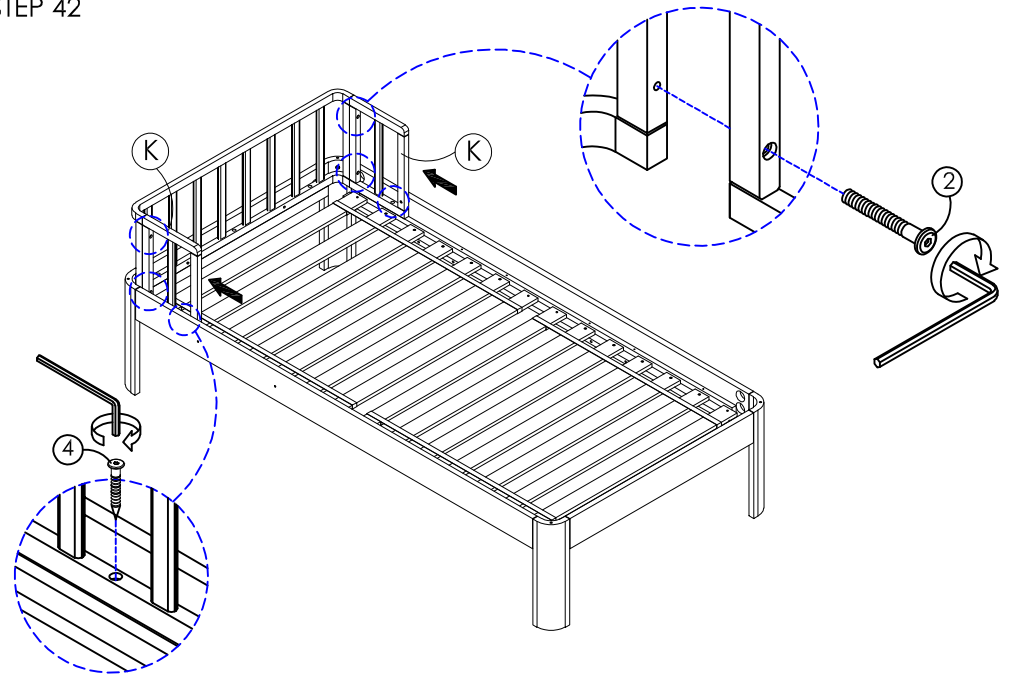
STEP 40



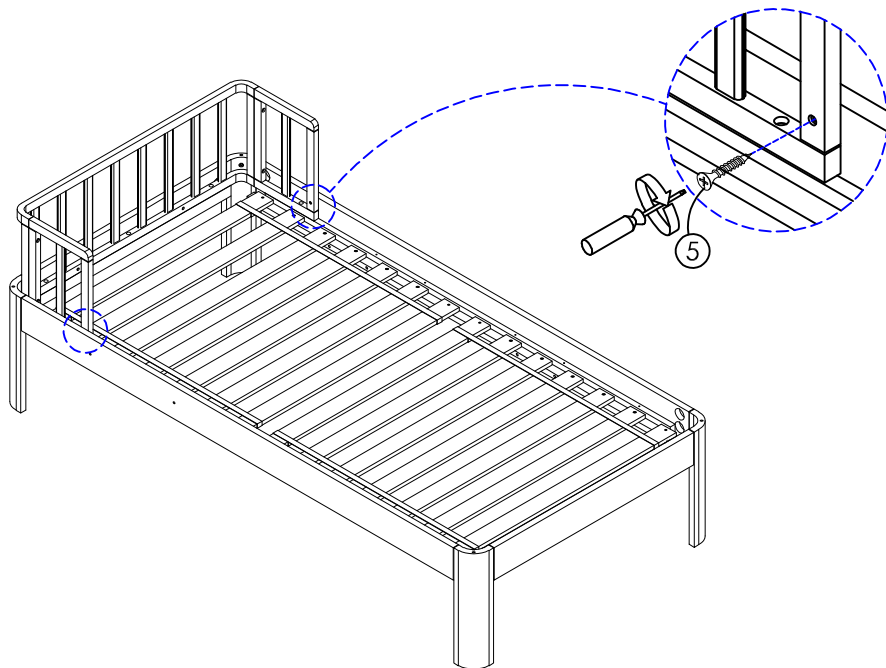
STEP 41



STEP 42



STEP 43



STEP 44

COMPLETE ASSEMBLY FOR SINGLE BED.

