

Assembly Instruction

SAFETY WARNING !

A)

WARNING : TOP BUNKS AND ELEVATED BEDS
ARE DANGEROUS AND ARE NOT RECOMMENDED
FOR CHILDREN UNDER THE AGE OF 9

Falls from elevated beds can be fatal and deaths have occurred where children have fallen from elevated beds. This is relevant for all ages. The risk is greater for younger children.

The risk of injury or death from a fall from an elevated bed compared to a non-elevated bed is :

10 x greater for 7-8 year olds
7 x greater for 9-10 year olds
3 x greater for 11-12 year olds

B) Children should be discouraged from playing on the bunk bed.

C) The bunk bed should be checked periodically to ensure that the guardrail, access device and other components are maintained in the correct position and state of repair and that all connectors are tight.

D) **WARNING** : The upper bunk must be more than 2m from any ceiling fan.

ASSEMBLY INSTRUCTIONS

ASSEMBLY TIPS

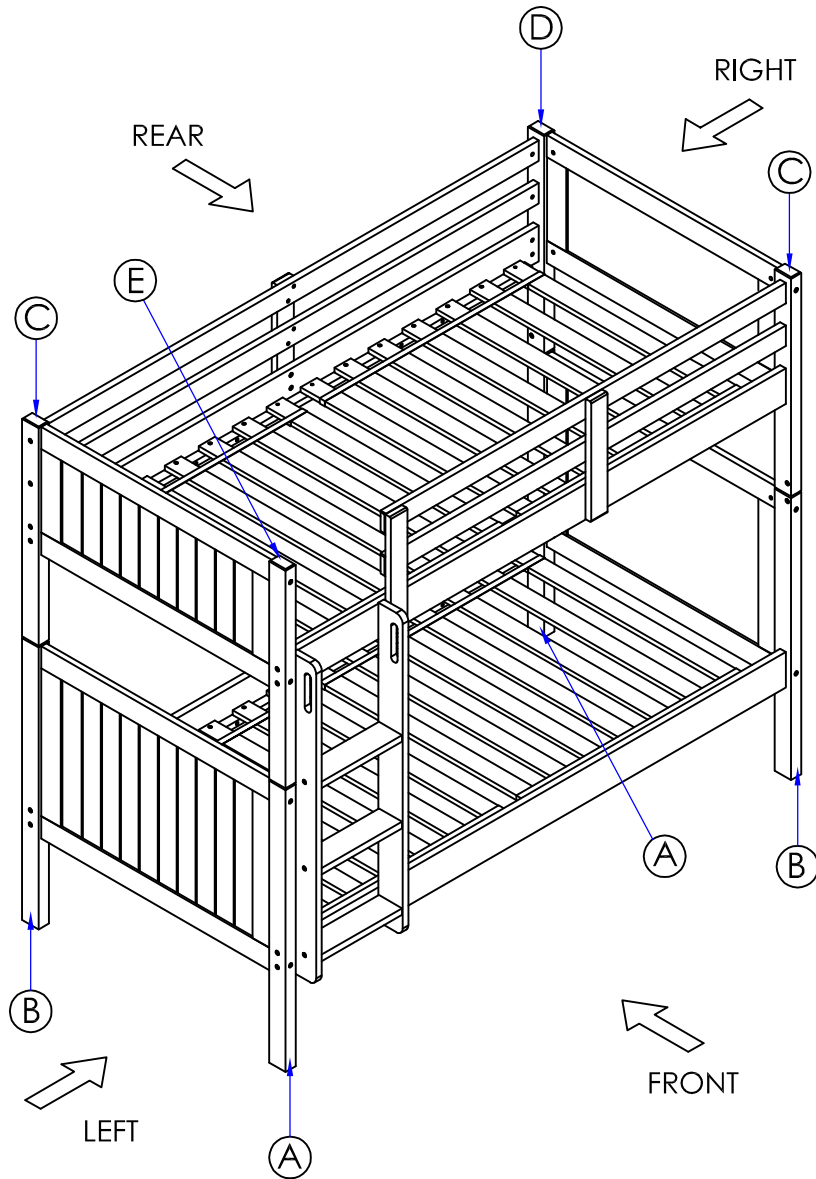
1. Remove hardware from box and sort by size.
2. Please check to see that all hardware and parts are present prior start of assembly.
3. Please follow attached instructions in the same sequence as numbered to assure fast and easy assembly.






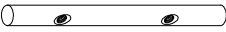



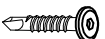
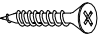

Warning !

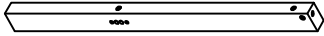

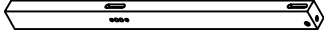
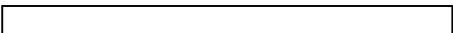



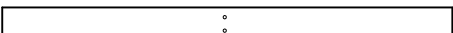
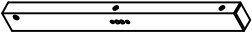
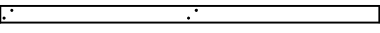
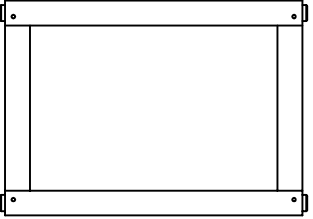
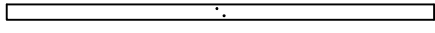

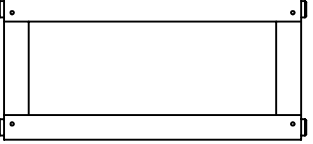
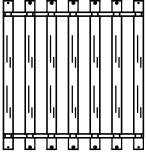
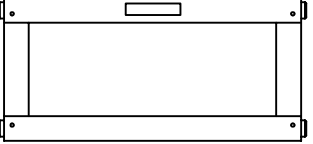

1. Don't attempt to repair or modify parts that are broken or defective. Please contact the store immediately.
2. This product is for home use only and not intended for commercial establishments.

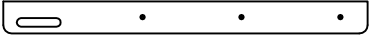
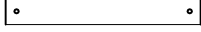
"Slat base is using the timber wood material which is LVL (Laminated Veneer Lumber). Laminated veneer lumber (LVL) is an engineered wood product that uses multiple layers of thin wood assembled with adhesives, and it is comparable in strength to solid timber slat. Some of the slat you might find the timber wood joiner which is not a crack or defect which is still strong and solid".



HARDWARE LIST

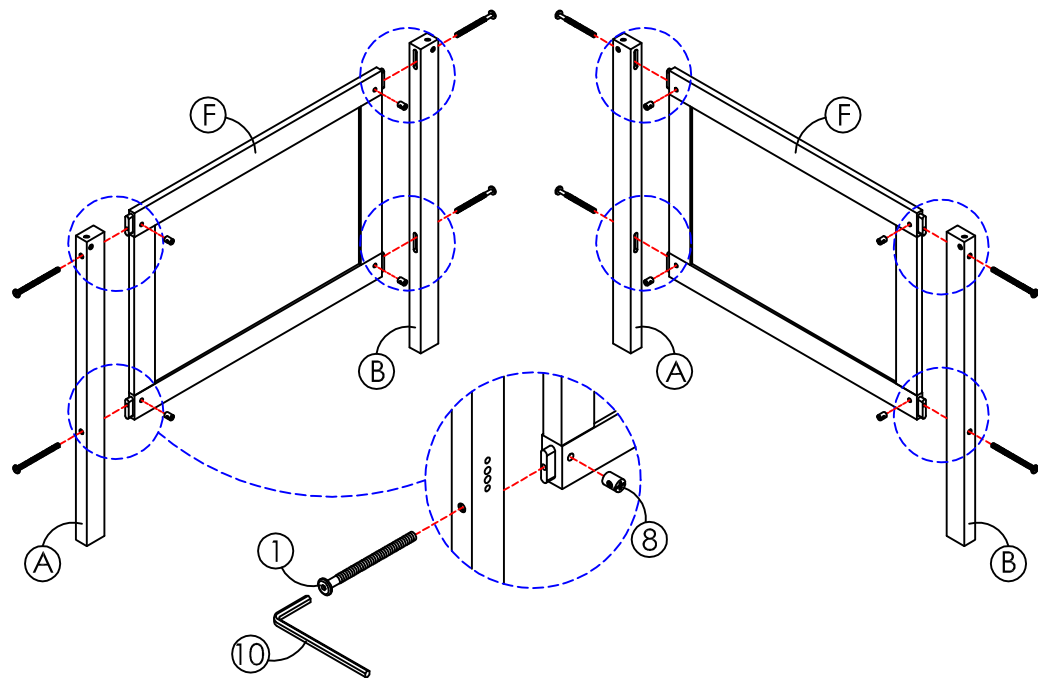
1		16 PCS	8		44 PCS
2		22 PCS	9		4 PCS
3		6 PCS	10		1 PC
4		18 PCS			
5		16 PCS			
6		52 PCS			
7		42 PCS			

COMPONENT LIST			
A	 <p>LOWER LEG (RIGHT REAR - LEFT FRONT)</p> <p>2 PCS</p>	I	 <p>SIDE RAIL (LOWER FRONT)</p> <p>1 PC</p>
B	 <p>LOWER LEG (RIGHT FRONT - LEFT REAR)</p> <p>2 PCS</p>	J	 <p>SIDE RAIL (LOWER REAR)</p> <p>1 PC</p>
C	 <p>UPPER LEG (RIGHT FRONT - LEFT REAR)</p> <p>2 PCS</p>	K	 <p>SIDE RAIL (UPPER FRONT)</p> <p>1 PC</p>
D	 <p>UPPER LEG (RIGHT REAR)</p> <p>1 PC</p>	L	 <p>SIDE RAIL UPPER REAR</p> <p>1 PC</p>
E	 <p>UPPER LEG (LEFT FRONT)</p> <p>1 PC</p>	M	 <p>FRONT GUARD RAIL</p> <p>2 PCS</p>
F	 <p>LOWER HEADBOARD / FOOTBOARD FRAME</p> <p>2 PCS</p>	N	 <p>REAR GUARD RAIL</p> <p>2 PCS</p>
		O	 <p>GUARD RAIL SUPPORT</p> <p>3 PCS</p>
G	 <p>UPPER HEADBOARD FRAME</p> <p>1 PC</p>	P	 <p>SLAT</p> <p>4 SETS</p>
H	 <p>UPPER FOOTBOARD FRAME (WITH STICKER)</p> <p>1 PC</p>	Q	 <p>LEFT LADDER RAIL</p> <p>1 PC</p>

COMPONENT LIST	
R	 <p>RIGHT LADDER RAIL</p> <p>1 PC</p>
S	 <p>LADDER STRETCHER</p> <p>3 PCS</p>

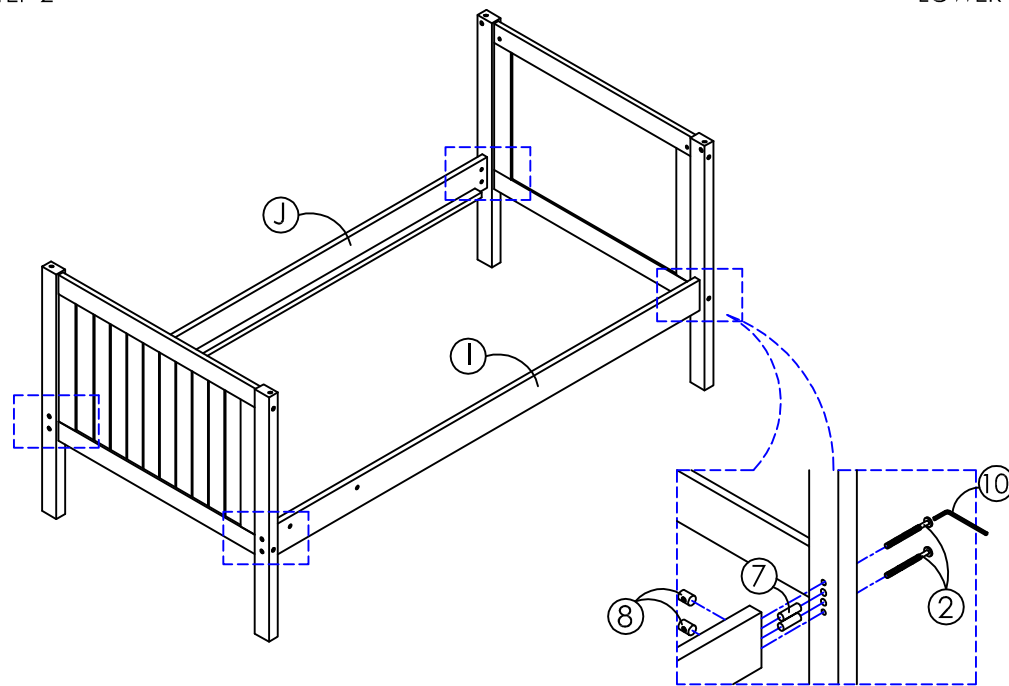
STEP 1

LOWER BED



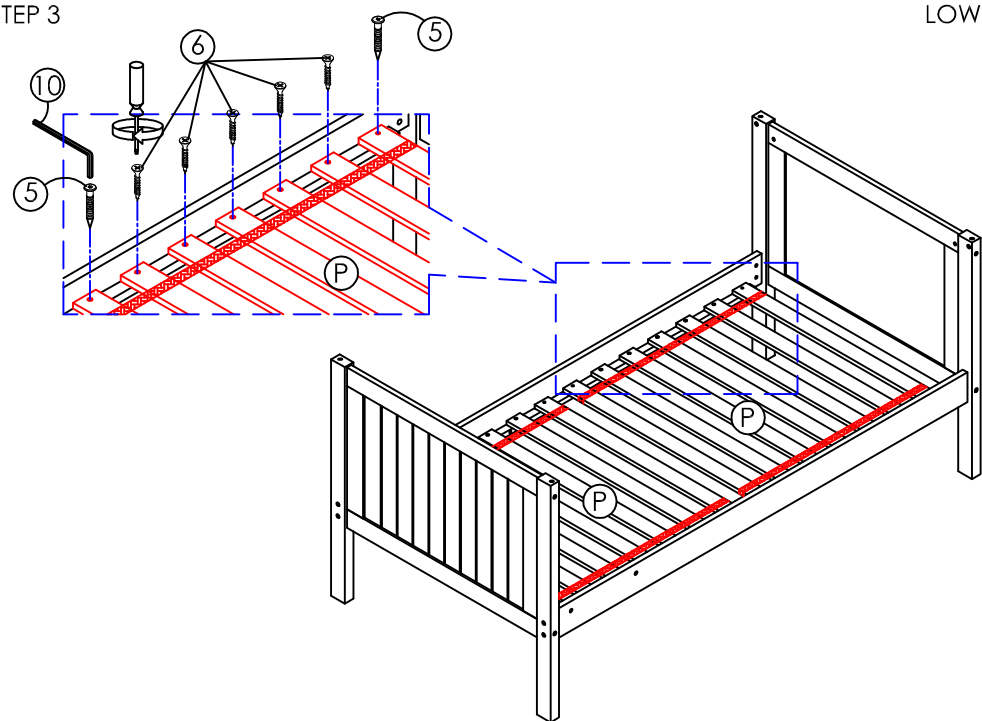
STEP 2

LOWER BED



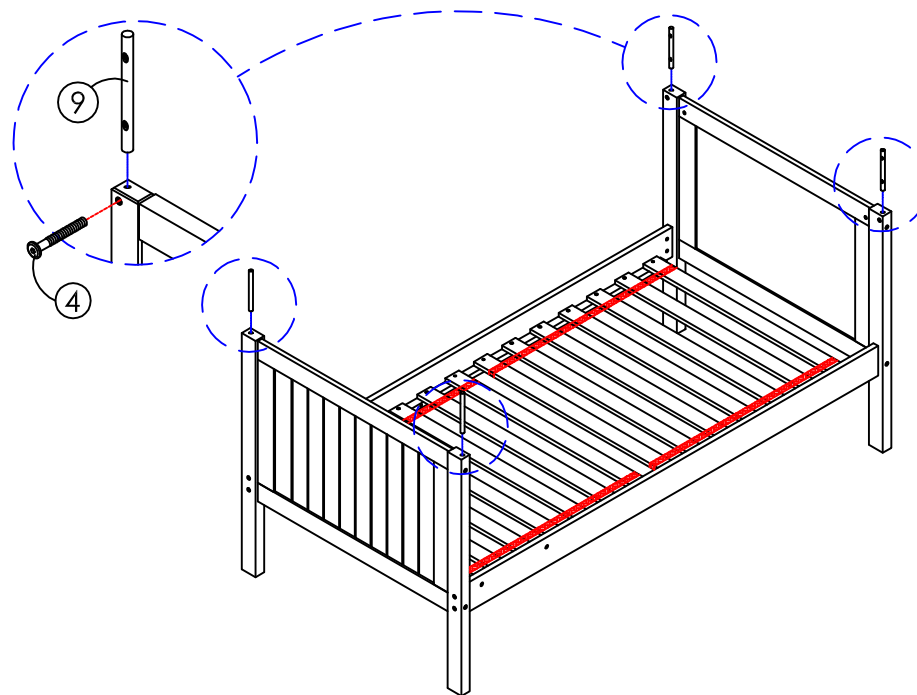
STEP 3

LOWER BED



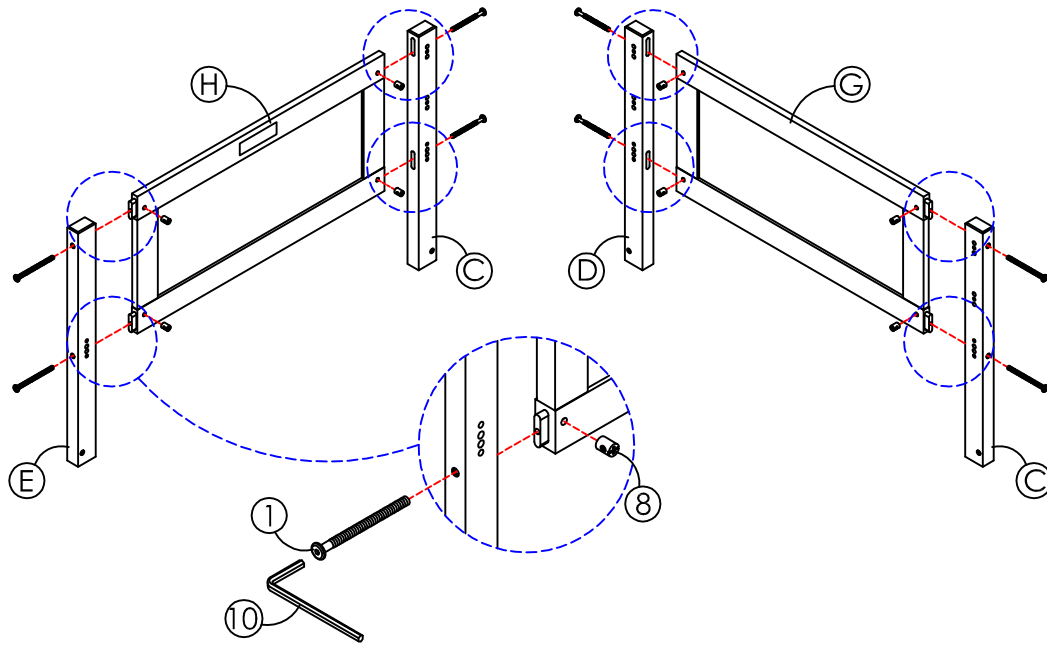
STEP 4

LOWER BED



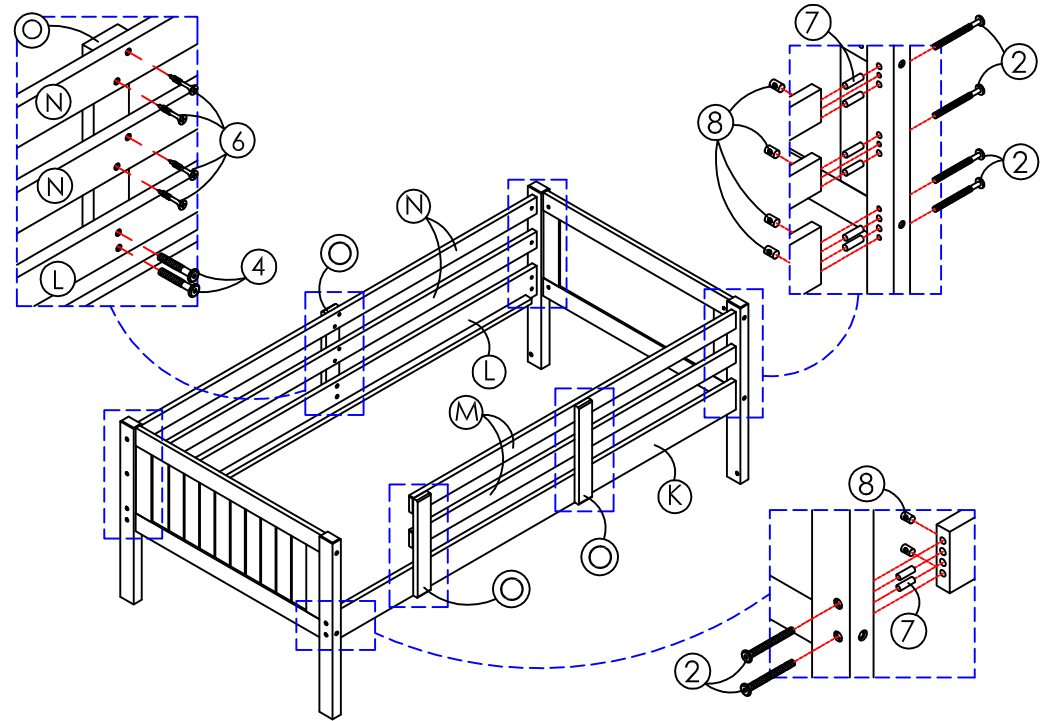
STEP 5

UPPER BED



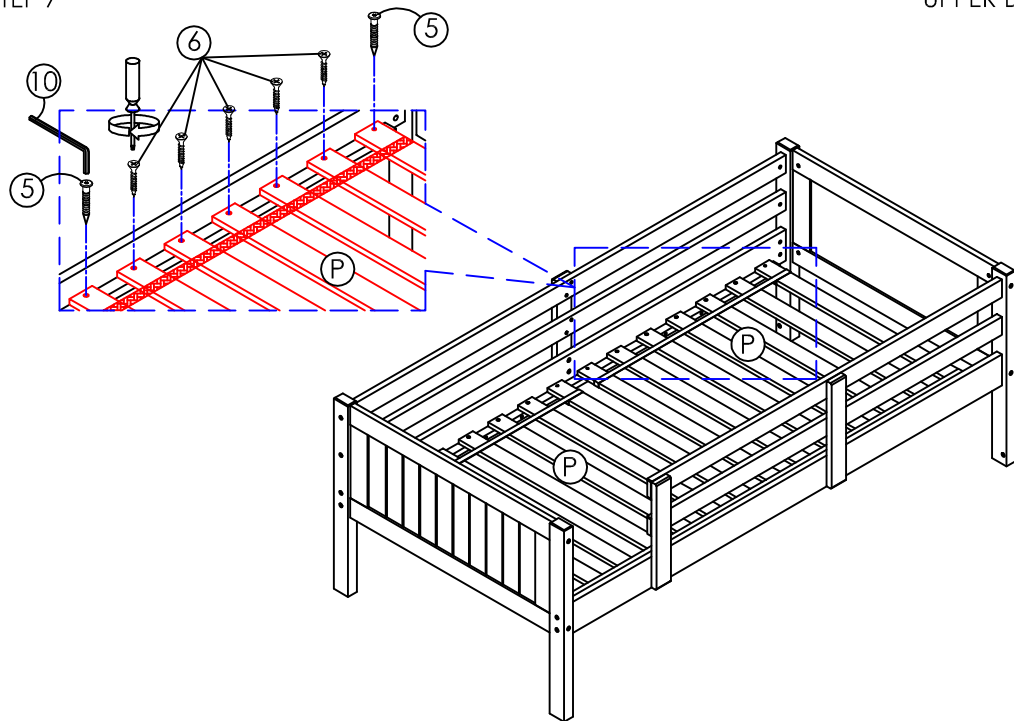
STEP 6

UPPER BED

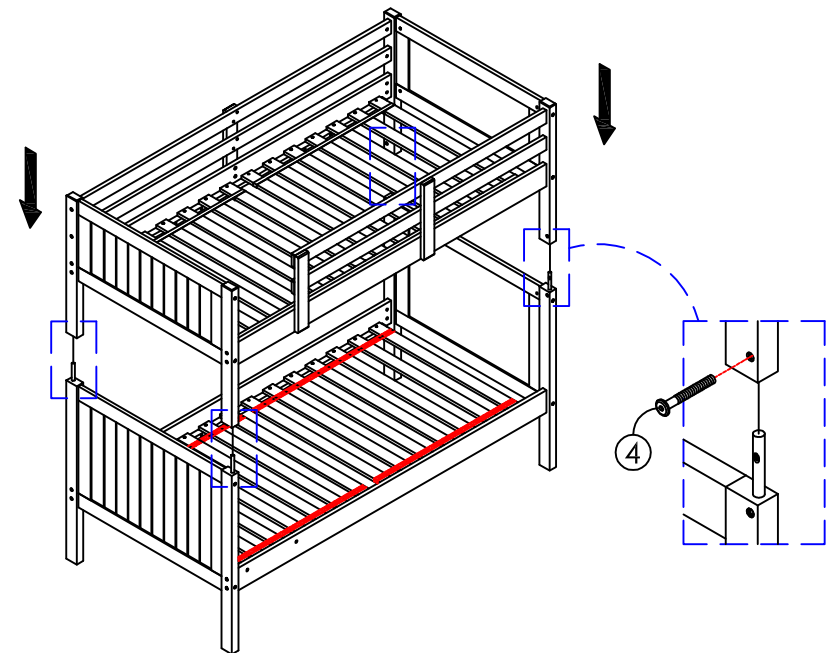


STEP 7

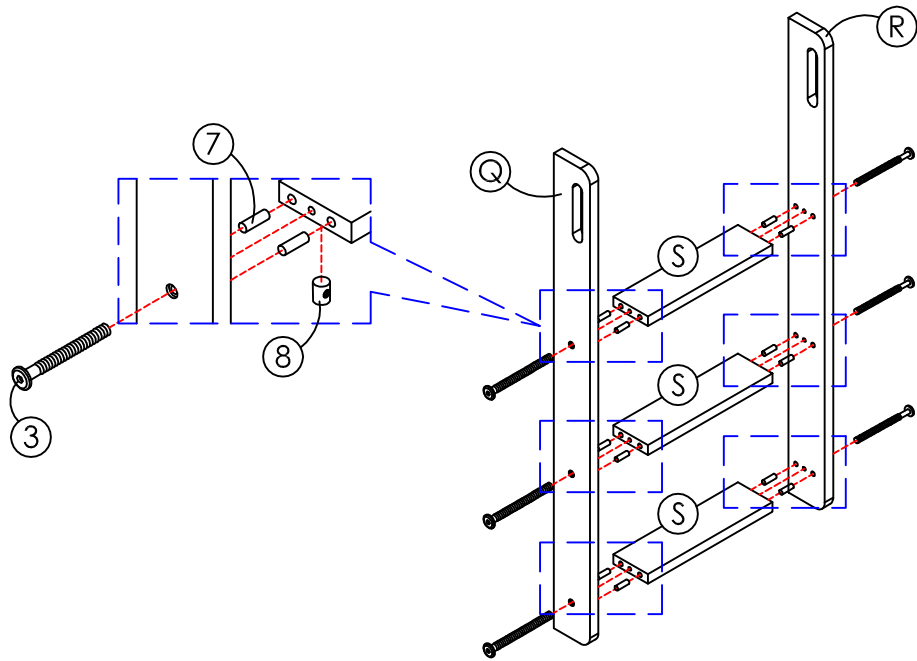
UPPER BED



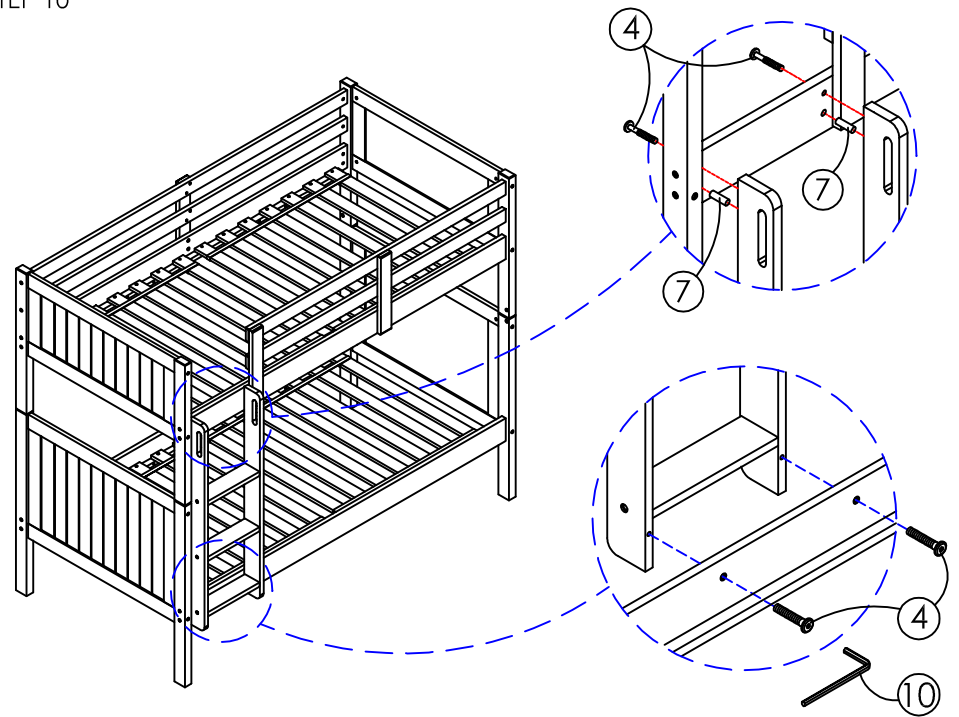
STEP 8



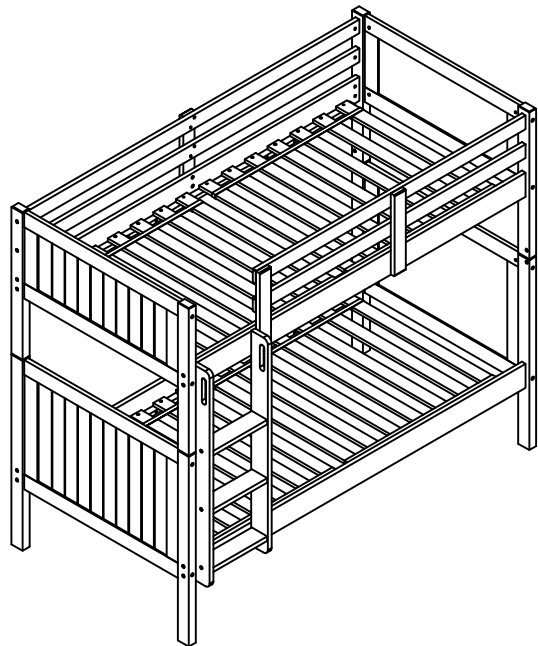
STEP 9



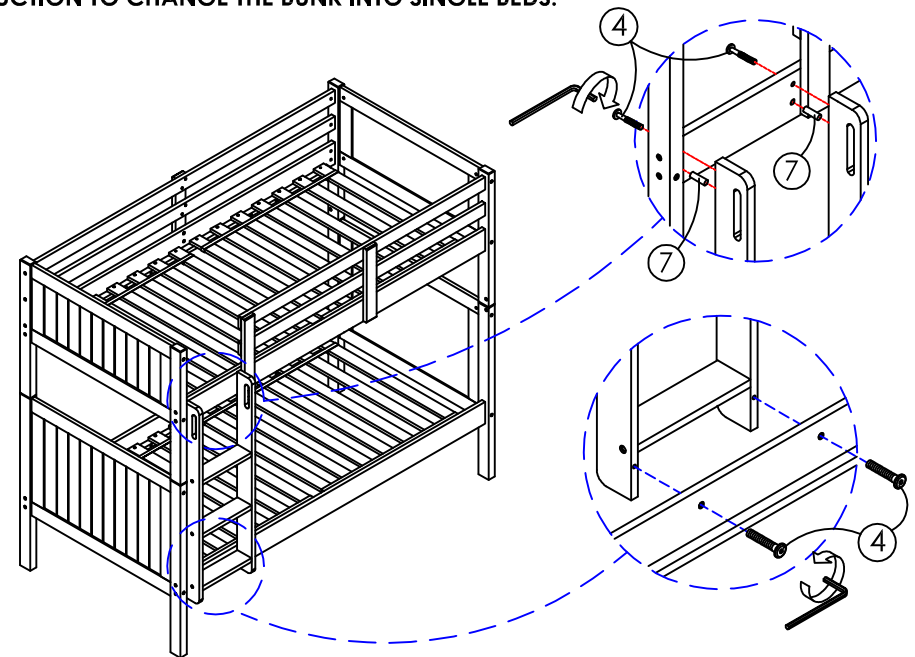
STEP 10



STEP 11
COMPLETE ASSEMBLY FOR BUNK BED.

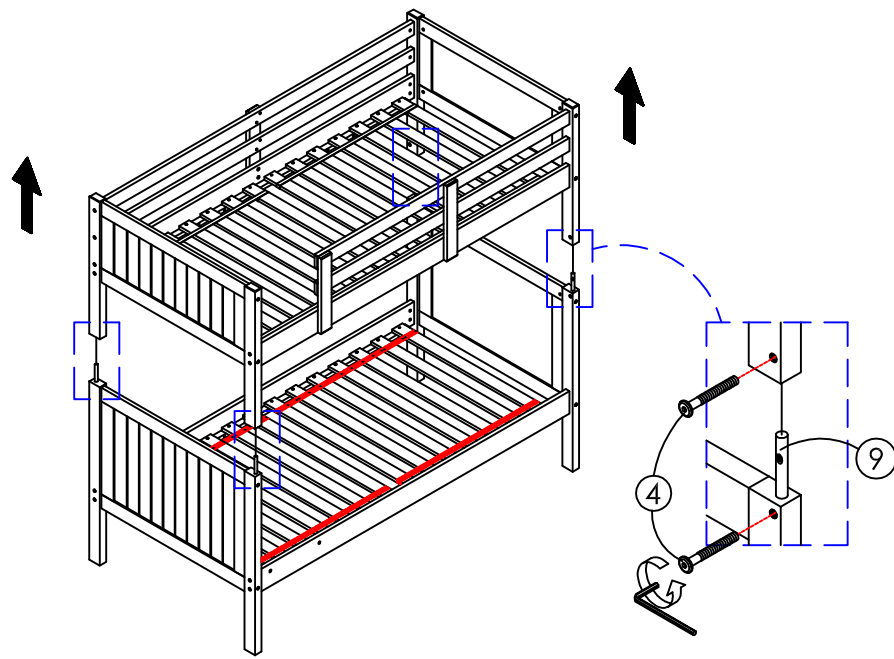


STEP 12
INSTRUCTION TO CHANGE THE BUNK INTO SINGLE BEDS.



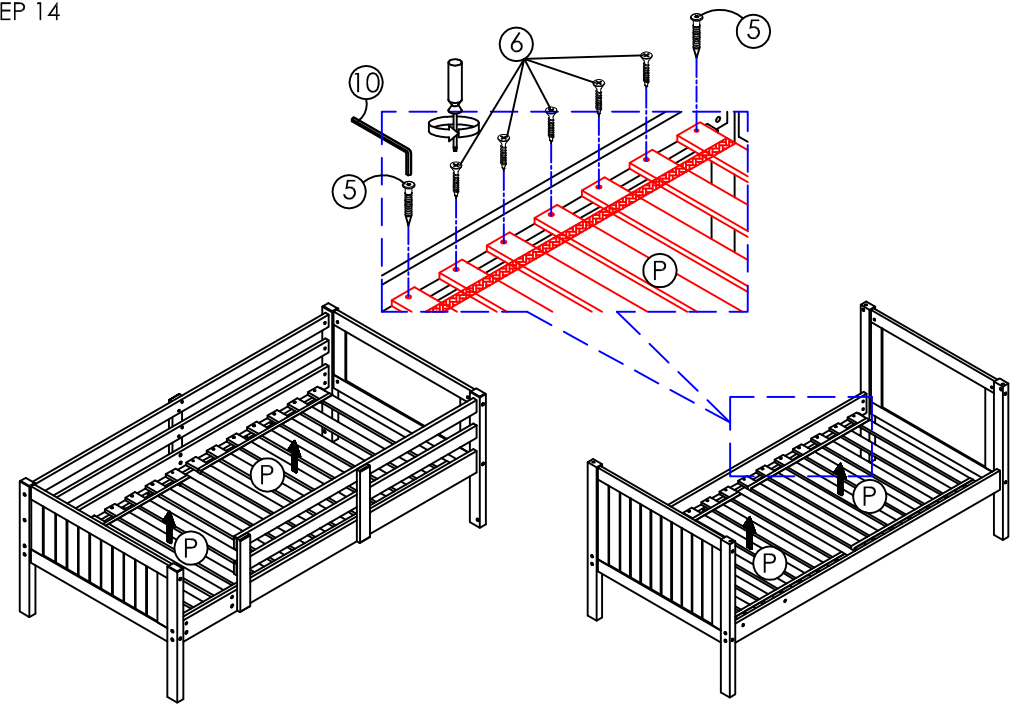
Remove jcbc bolts (4) & wood dowel (7) then take out ladder from bed.

STEP 13



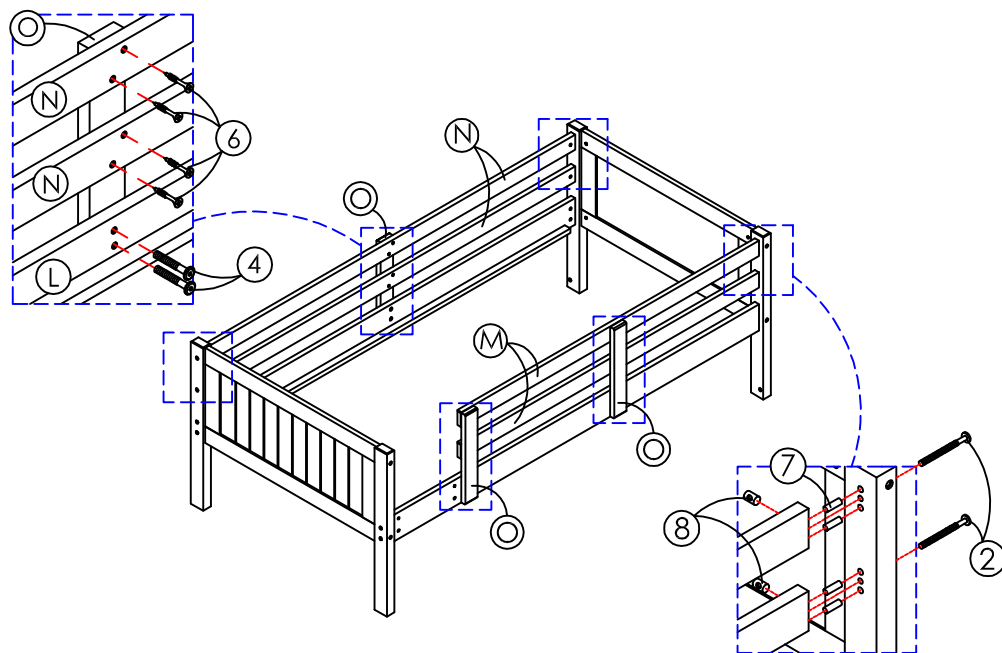
Remove the jcbc bolts (4) then lift the upper bed and remove metal pins (9).

STEP 14



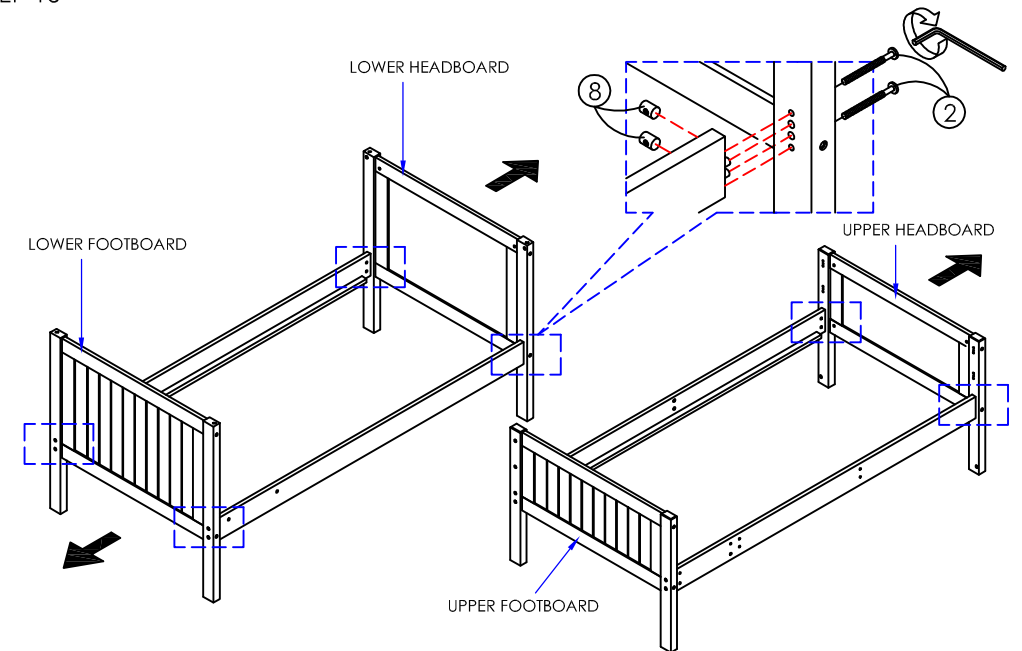
Unscrew the jcbc-w bolts (5) & wood screw (6), then lift the slat (P).

STEP 15



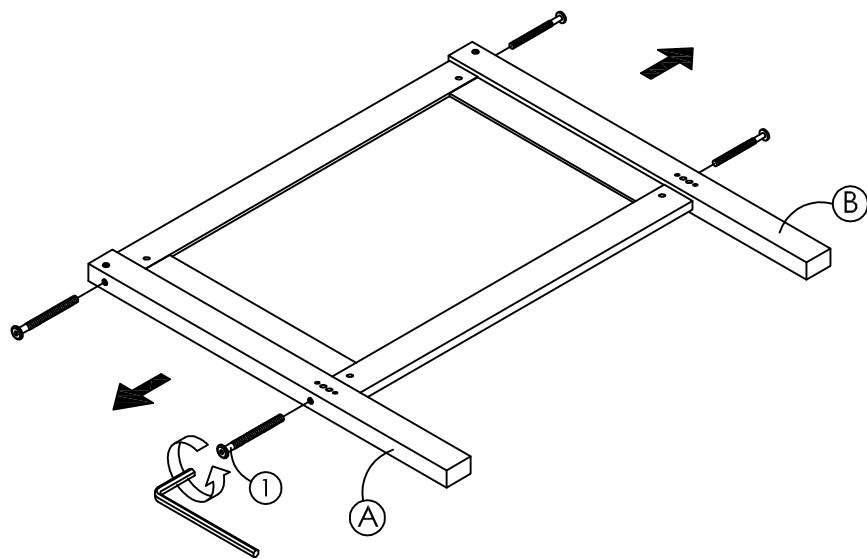
Unscrew the wood screws (6) & jcbc bolts (4) on guard rail support (O). Loosen the jcbc bolts (2) & remove front & rear guard rail (M & N).

STEP 16



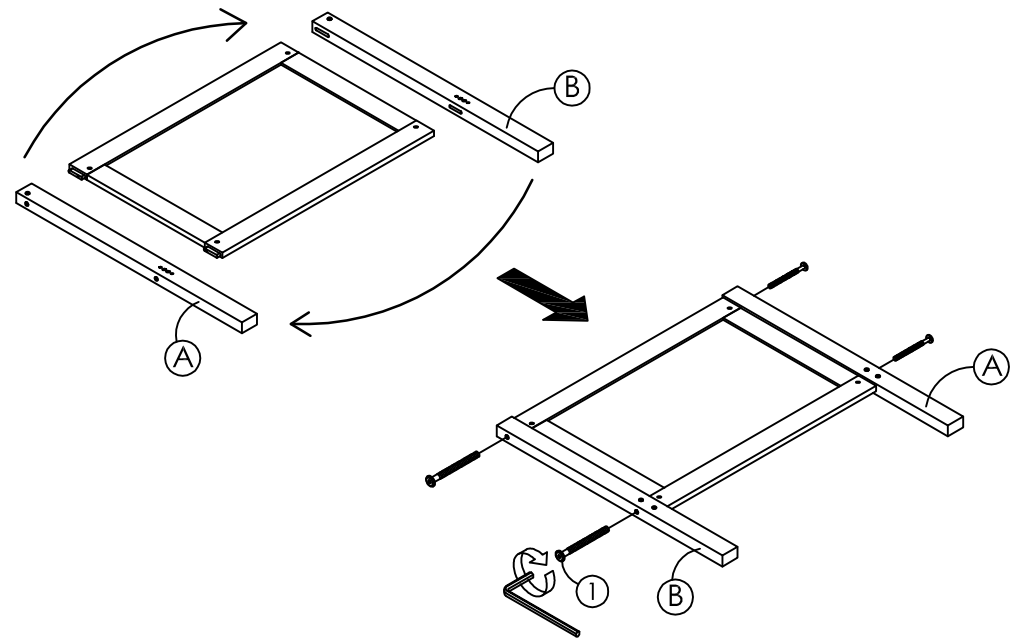
Loosen the jcbc bolts (2) at the lower headboard, lower footboard and upper headboard as shown in picture.

STEP 17



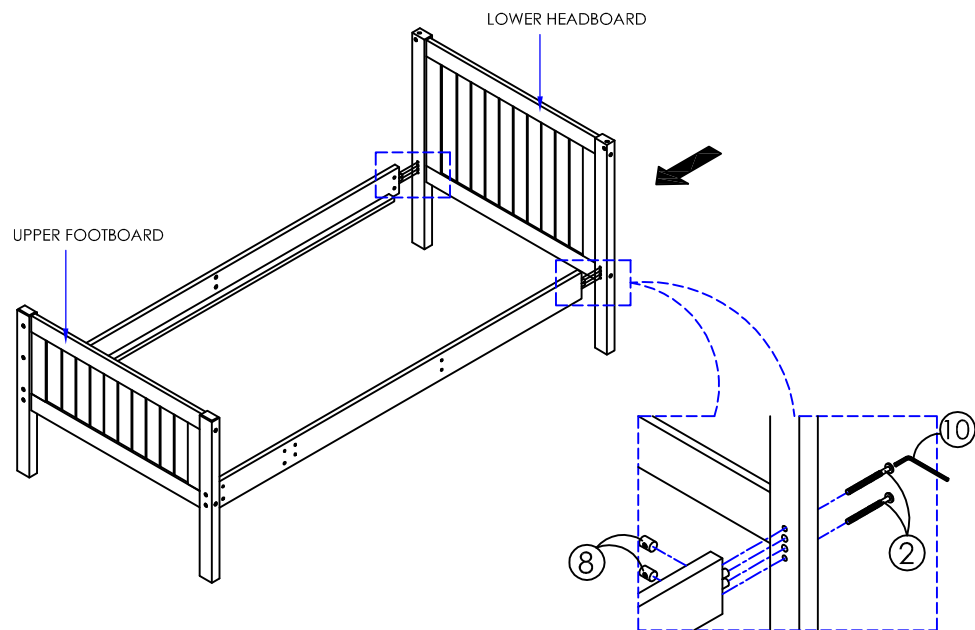
Loosen the jcbc bolts (1) at the lower post headboard and lower post footboard (A & B).

STEP 18

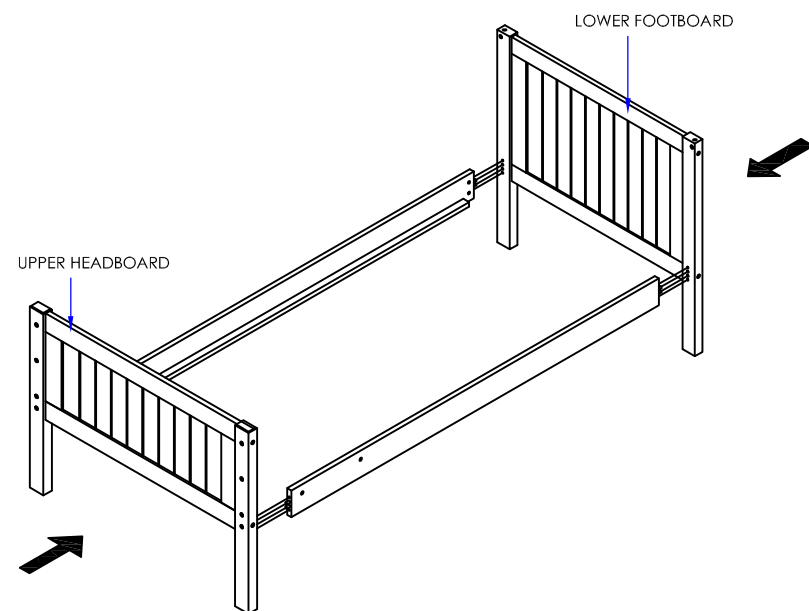


Rotate the post (A & B) as shown in picture. Then tighten all the jcbc bolts (1).

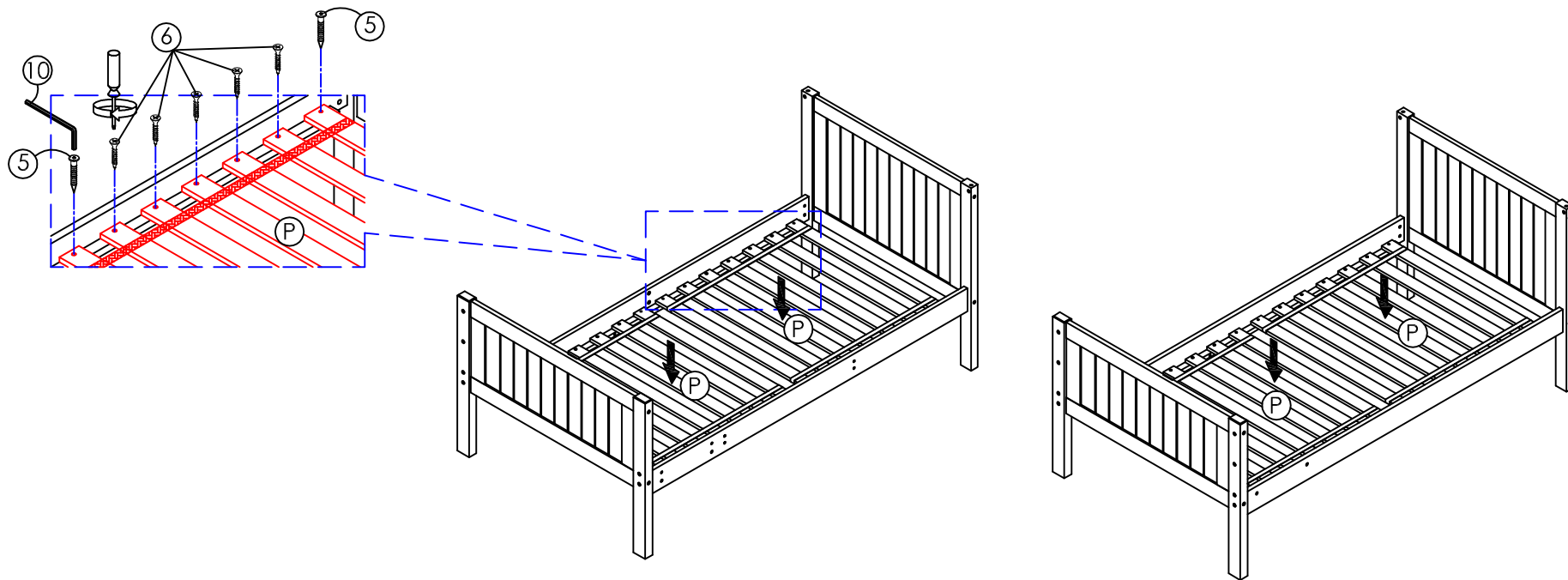
STEP 19



Attach lower headboard to side rail with upper footboard. Fix the jcbc bolts (2) with barrel nut (8). Then attach lower footboard & upper headboard to side rail. Fix the jcbc bolts (2) with barrel nut (8) as shown in picture.



STEP 20



Tighten slat (P) with jcbc-w bolts (5) & wood screw (6) as shown in picture.

STEP 21

COMPLETE ASSEMBLY FOR TWO BEDS.

