

Read these instructions and follow steps carefully to ensure you assemble the product correctly and avoid damages. Check that all parts and hardware have been provided before assembling the product. Place all contents on a clean, soft-flat surface to avoid scratching the product.

**⚠ Caution:**

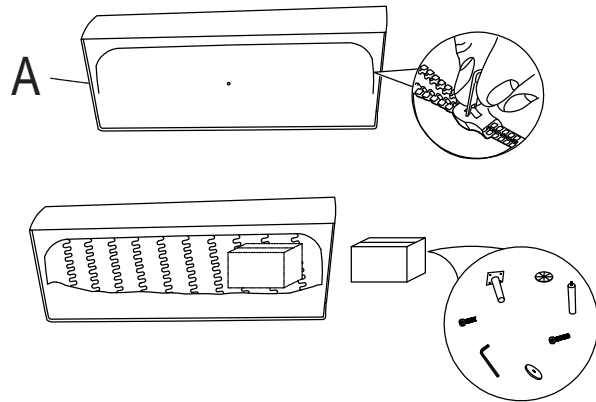
Once all parts have been assembled, fully tighten all hardware. To prevent damage to threads, do not use a power tool and do not over-tighten bolts. Use two people to lift and turn the product when assembling. Do not attempt with only one person and do not roll onto legs. Keep all hardware and small parts away from children.



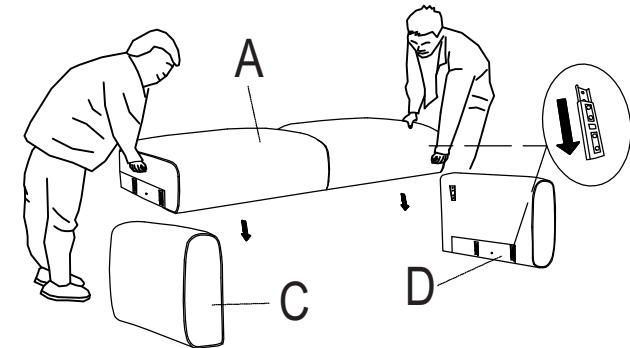
PART LIST		
ITEM	DESCRIPTION	QTY
A	SOFA SEAT	1PC
B	SOFA BACK	1PC
C	LEFT ARMREST	1PC
D	RIGHT ARMREST	1PC

HARDWARE LIST		
ITEM	DESCRIPTION	QTY
E	MAIN LEGS	4PCS
F	PLASTIC WASHER	1PC
G	SUPPORT LEG(S)	1PC
H	SCREW M6*30MM	16PCS
I	ALLEN KEY	1PC
J	FLAT PLASTIC WASHER M8*30*2	5PCS
K	SCREW M8*60MM	5PCS

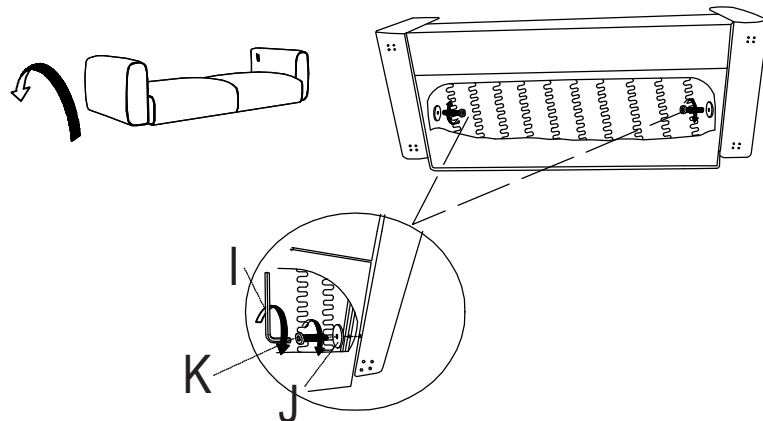
### STEP 1:



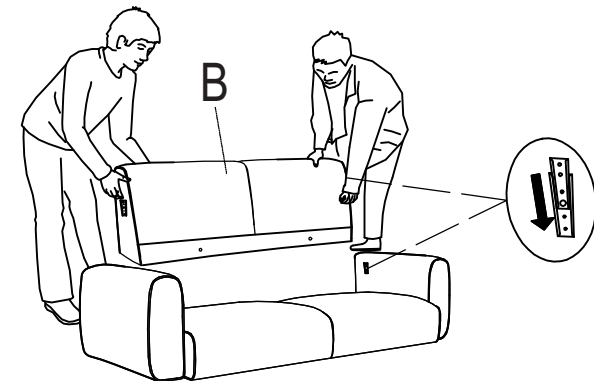
### STEP 2:



### STEP 3:

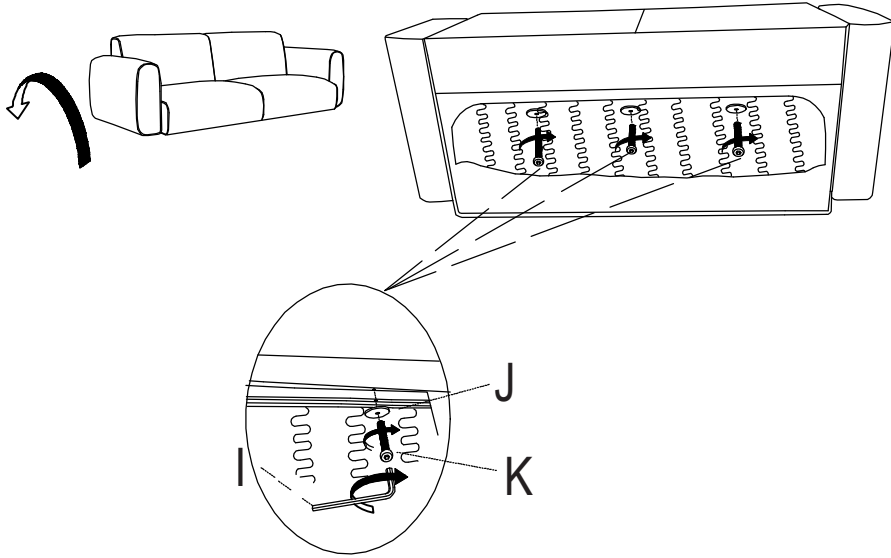


### STEP 4:

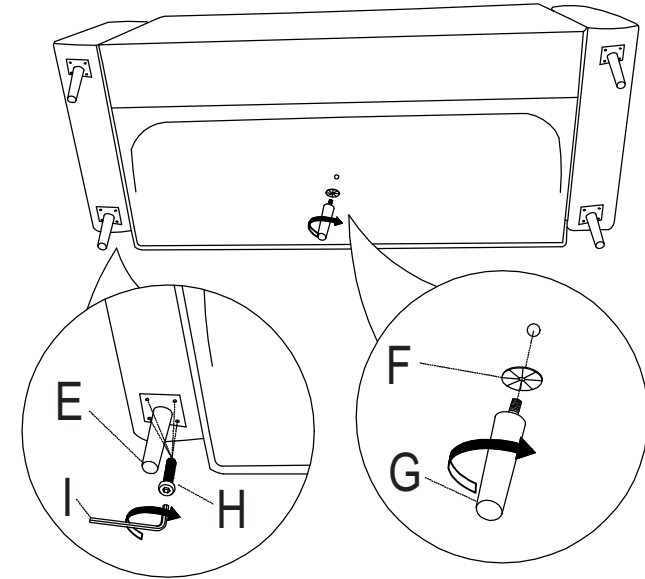


### Bailey 3S

STEP 5:



STEP 6:



STEP 7:

