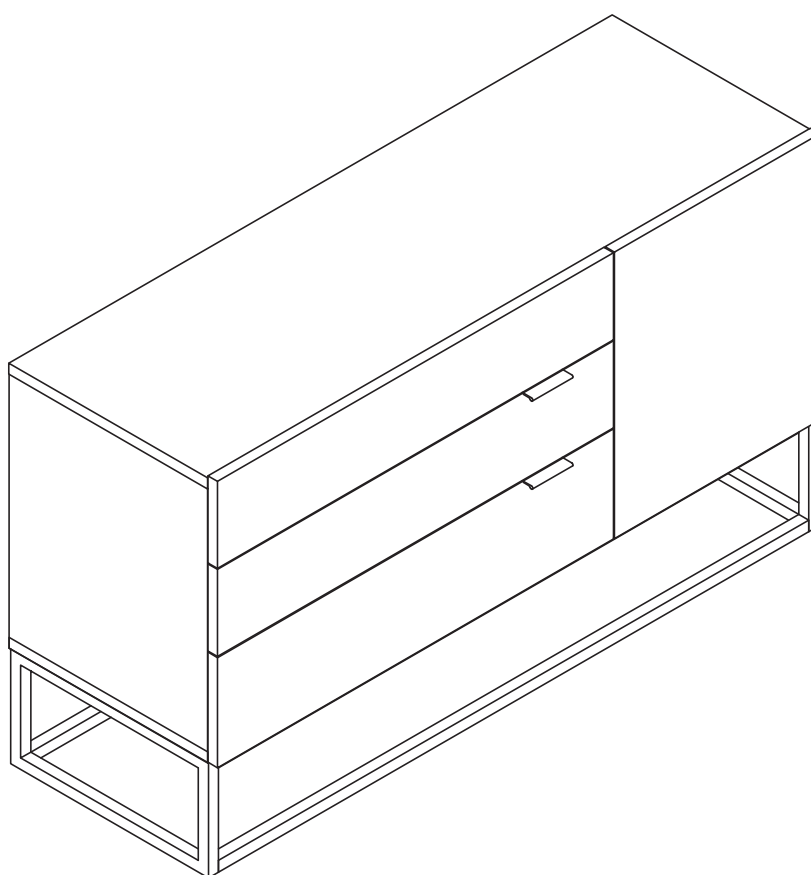


**ASSEMBLY INSTRUCTION**

**Melis Sideboard**



TWO PERSON RECOMMENDED

## Keep these instructions for future reference

- Read these instructions and follow steps carefully to ensure you assemble the product correctly and avoid damages. Check that all parts and hardware have been provided before assembling the product. Place all contents on a clean, soft-flat surface to avoid scratching the product.



### CAUTION:

Only Tighten bolts to 80% at first. Once all parts have been assembled, fully tighten all hardware. To prevent damage to threads, do not use a power tool and do not overtighten bolts. Use two people to lift and turn the product when assembling. Do not attempt with only one person and do not roll on to legs. Keep all hardware and small parts away from children.

- We recommend furniture be assembled near where they will be placed, to avoid moving the product unnecessarily once assembled.
- If there is a need to move the furniture, please remove all loose items and have extra hands to help lift the furniture to the desired location. Dragging the furniture will damage both the furniture and the floor.
- Regularly check and re-tighten (if necessary) all bolts on furniture that you have assembled yourself.

## Care and Maintenance of your Furniture

Wipe clean with a damp cloth. Use only water or a gentle detergent.  
Wipe dry with a clean cloth.



### **WARNING:**

**Do not stand on the Sideboard !**



## **WARNING:**

It is **STRONGLY RECOMMENDED** that you **ANCHOR** this product.

Toppling furniture can cause serious injuries and death.

This product has been supplied with a strap. To prevent your furniture from tipping forward it is strongly recommended that you securely attach this product to a wall or other solid surface, using the straps provided and appropriate fixings.

## **IMPORTANT:**

Regularly check that anchors are securely maintained.

Use safety drawer locks to prevent children climbing.

Stability of tall items may be affected by thick pile carpet or uneven floors.

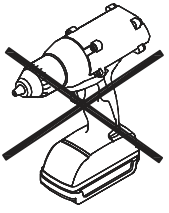
Do not place unanchored televisions on furniture.

## **CAUTION:**

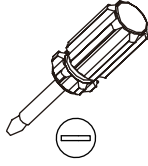
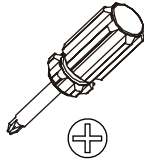
For your safety when attaching the anchor fixings, please note the following:

- Check for any electrical wires or plumbing inside the wall before drilling any holes (if you are unsure, please seek professional advice from a qualified tradesperson)
- Walls are constructed from different materials, for example, masonry (solid brick) or plasterboard lined cavity walls (hollow). It is important that you use the appropriate wall fixings for your wall type. If unsure, please seek professional advice on how to attach this safety strap to your specific wall.
- Your local hardware store will have the necessary drills and fixings and can offer advice if needed. If in doubt, engage the services of a qualified tradesperson to install and anchor the product.

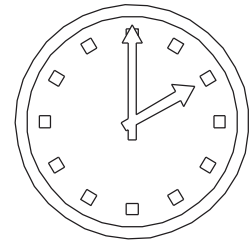
## Tools Required



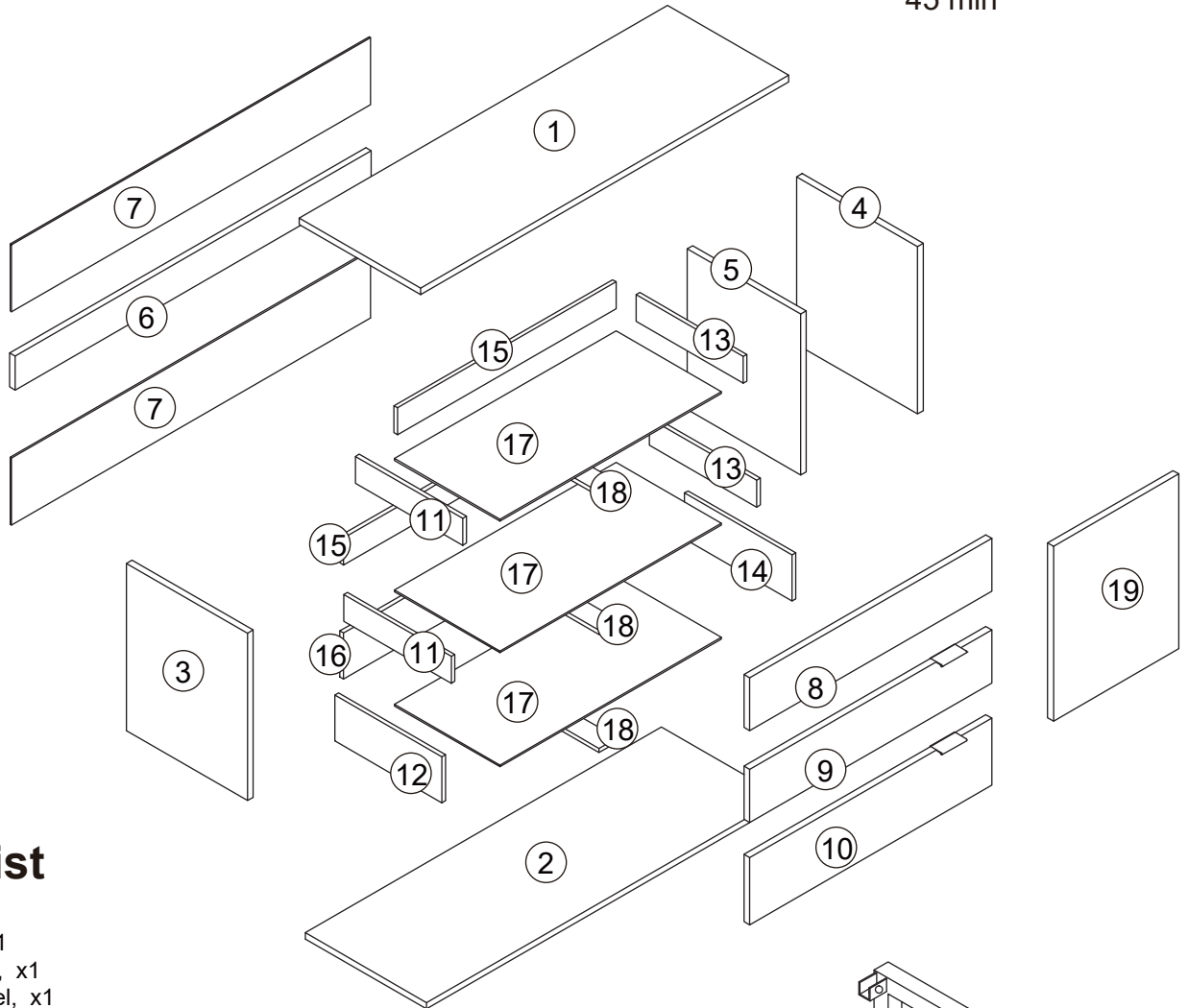
DO NOT USE



## Time Required

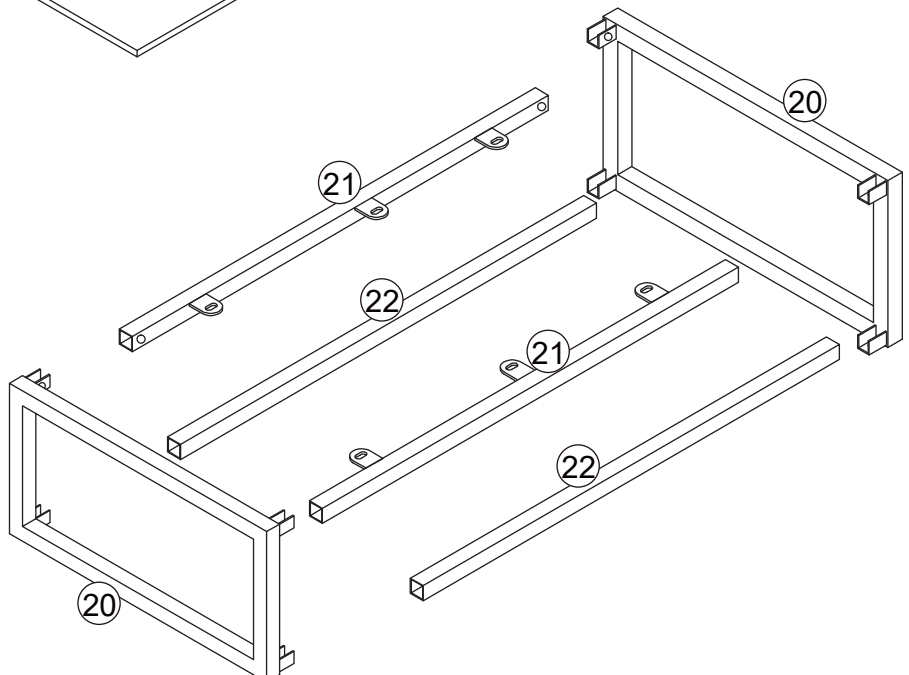


45 min

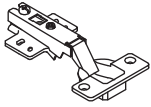
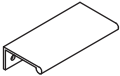

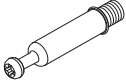

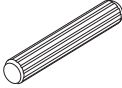

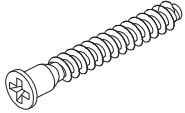
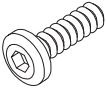


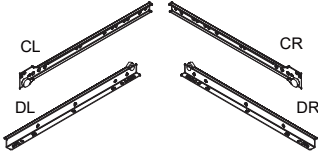
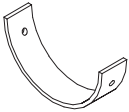

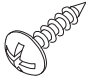
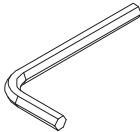


## Parts List

1. Top panel, x1
2. Bottom panel, x1
3. Left side panel, x1
4. Right side panel, x1
5. Divider, x1
6. Back support panel, x1
7. Back panel, x2
8. Drawer front, x1
9. Drawer front, x1
10. Drawer front, x1
11. Left drawer side, x2
12. Left drawer side, x1
13. Right drawer side, x2
14. Right drawer side, x1
15. Drawer back, x2
16. Drawer back, x1
17. Drawer bottom, x3
18. Drawer bottom support, x3
19. Door, x1
20. Metal leg frame, x2
21. Metal support rail, x2
22. Metal support rail, x2



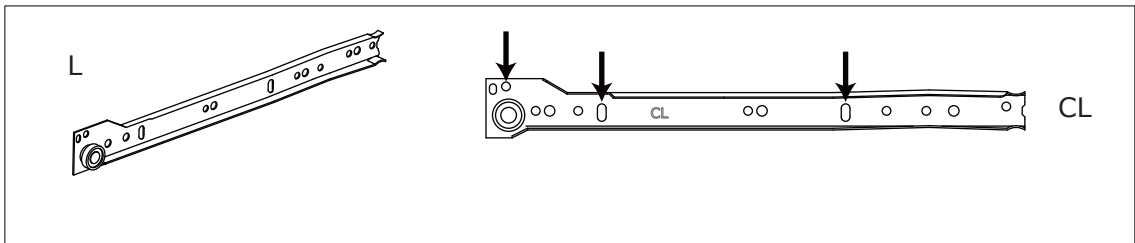
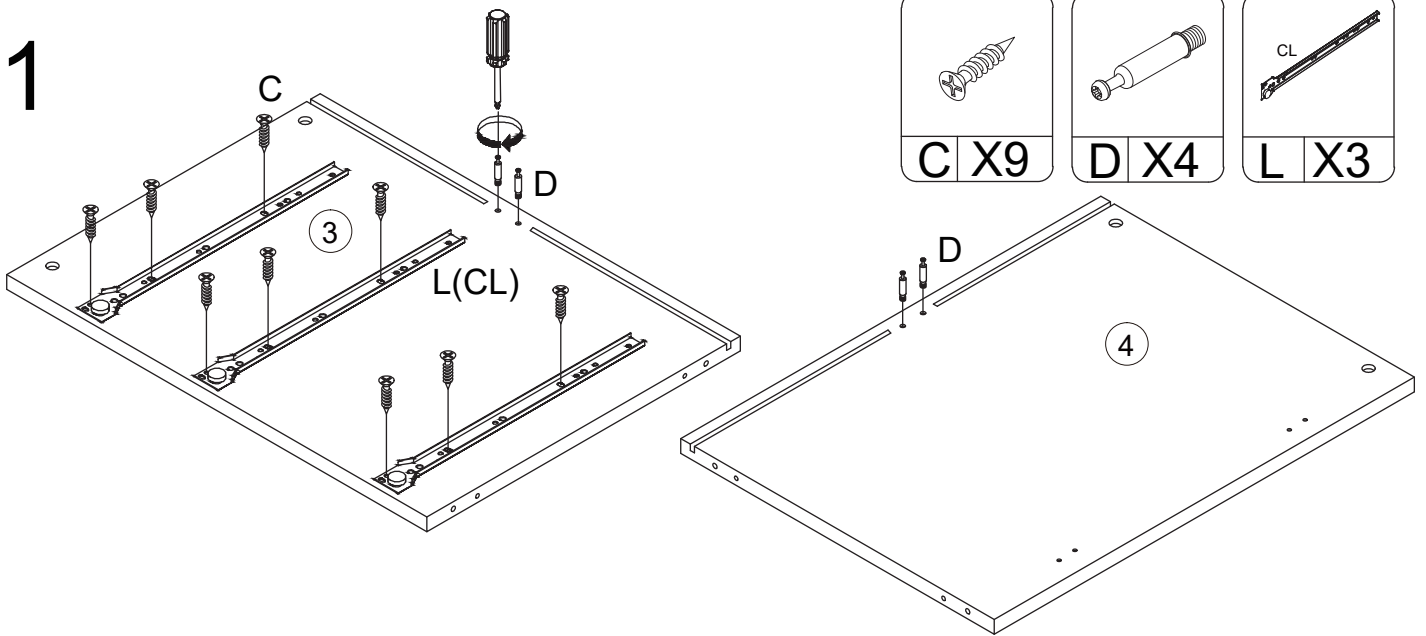
# Fittings List

											
<b>A</b>	Hinge	2pcs	<b>B</b>	Handle: 80x30mm	2pcs	<b>C</b>	Screw: M4x12mm	34pcs	<b>D</b>	Cam bolt	28pcs
											
<b>E</b>	Cam nut	28pcs	<b>F</b>	Dowel: $\varnothing$ 8x30mm	12pcs	<b>G</b>	Screw: M4x16mm	12pcs	<b>H</b>	Screw: M5x38mm	26pcs
											
<b>I</b>	Bolt: M6x10mm	14pcs	<b>J</b>	Adjustable feet: M6x15mm	4pcs	<b>K</b>	Back panel holder	8sets	<b>L</b>	Drawer runner	3sets
											
<b>M</b>	Fabric wall strap	2pcs	<b>N</b>	Washer	4pcs	<b>O</b>	Screw: M4x15mm	2pcs	<b>P</b>	Allen key	1pc

## NOTE-

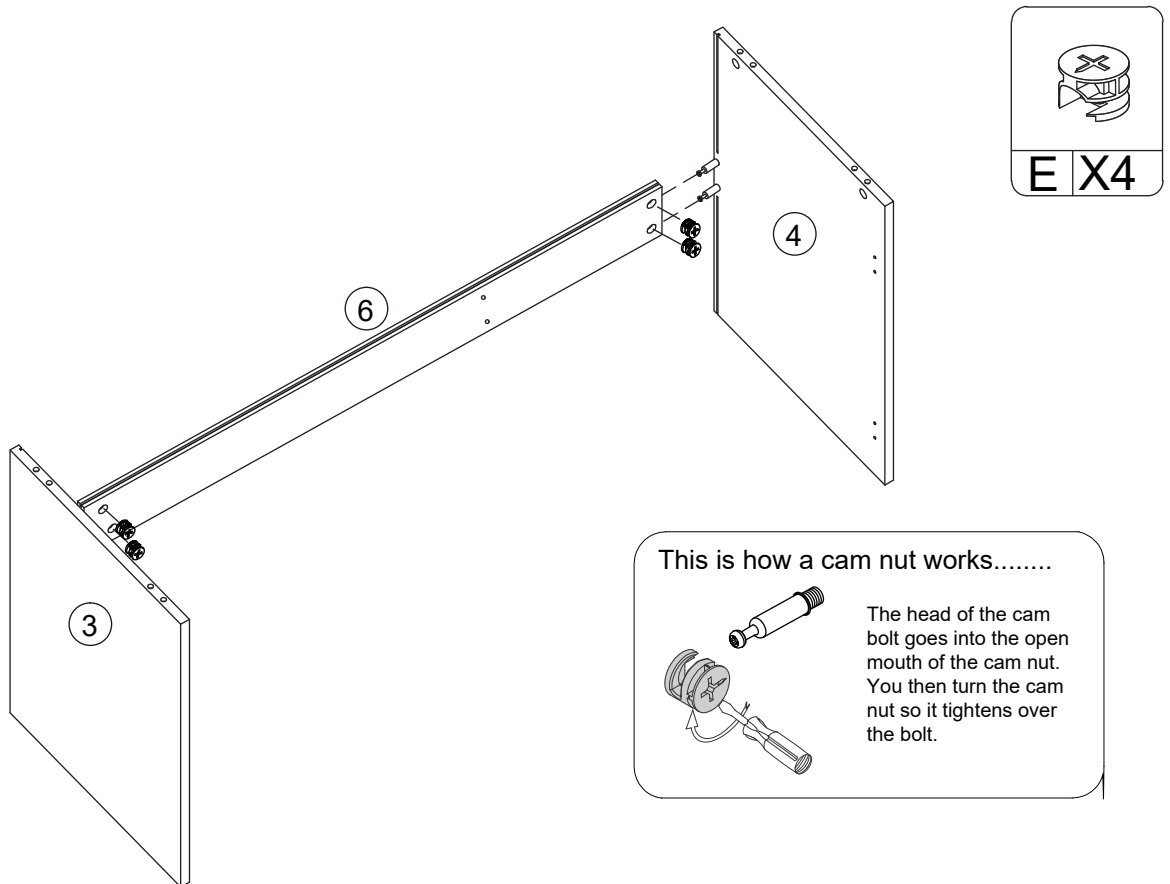
The pack only contains screws for fastening the anti-topple strap(s) itself to the product. Please contact your DIY or hardware store for advice on the correct type of screws/wall plugs for your type of wall.

# 1



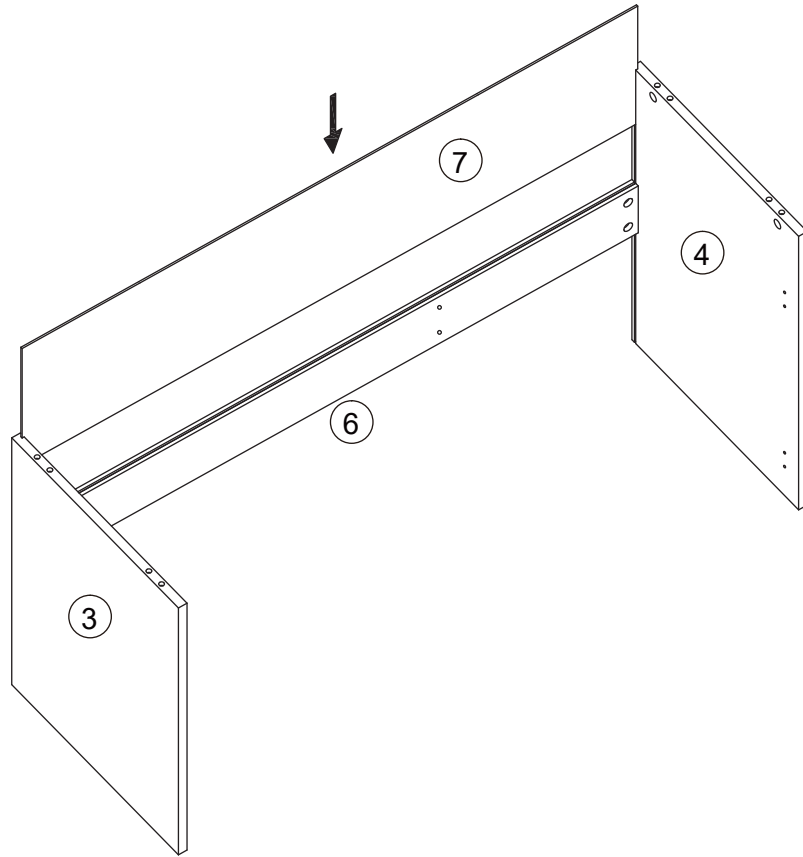
Fix 3 x Slide Tracks L (CL) onto Left side panel (3) with 9 x Screws (C) using a screwdriver.  
 Screw 2 x Cam bolts (D) into Left side panel (3) using a screwdriver.  
 Screw 2 x Cam bolts (D) into Right side panel (4) using a screwdriver.

# 2



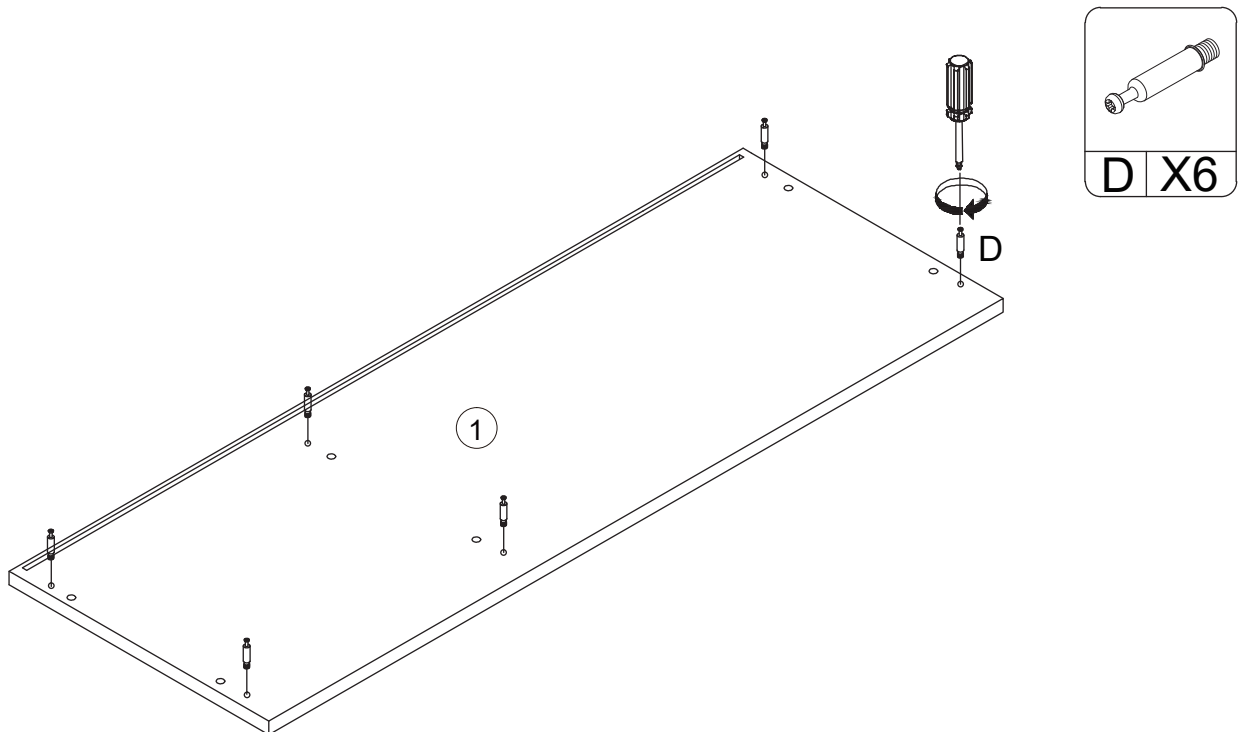
Position Back support panel between Left side panel (3) and Right side panel (4) as shown.  
 Insert 4 x Cam nuts (E) into Back support panel as shown.  
 Use a screwdriver to turn Cam nuts (E) clockwise to lock.

# 3



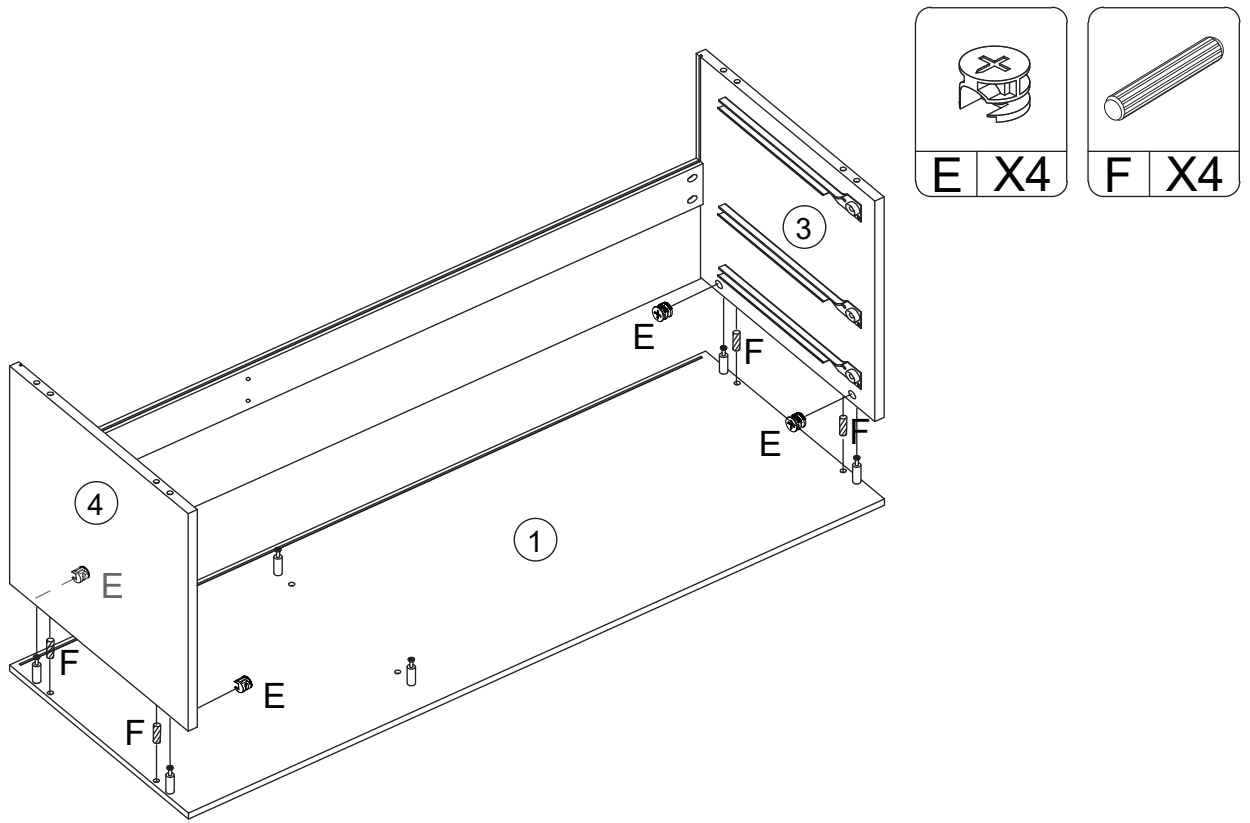
Insert Back panel (7) into the grooves of Left side panel (3), Right side panel (4) and Back support panel (6).

# 4



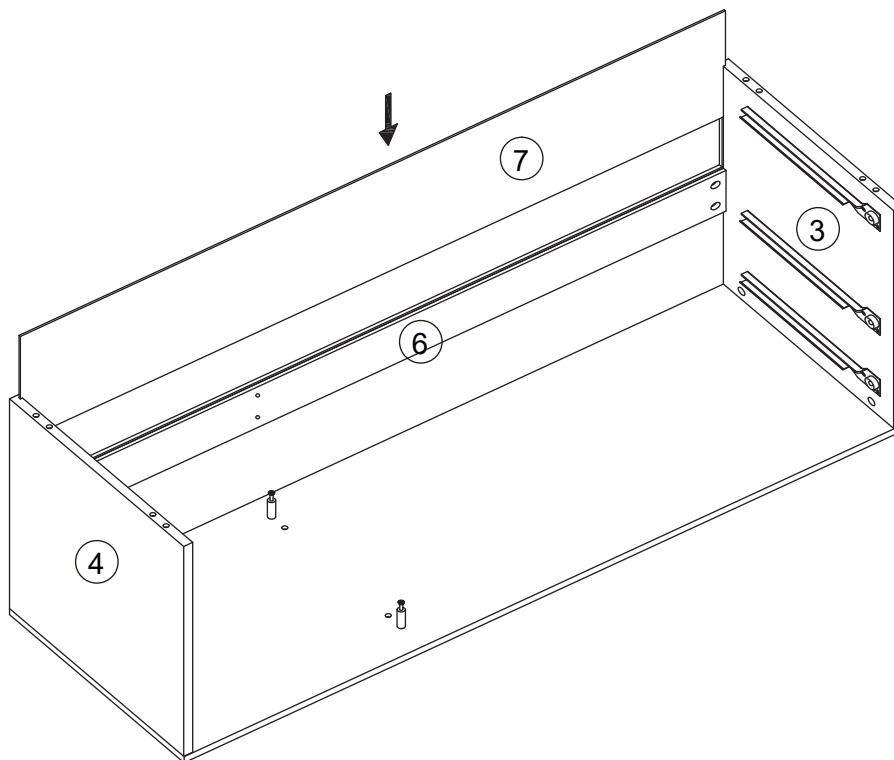
Screw 6 x Cam bolts (D) into Top panel (1) using a screwdriver.

# 5



Insert 4 x Dowels (F) into Left side panel (3) and Right side panel (4) as shown.  
Position the Side panels onto the Top panel (1).  
Insert 4 x Cam nuts (E) into Side panels (3) and (4) as shown.  
Use a screwdriver to turn Cam nuts (E) clockwise to lock.

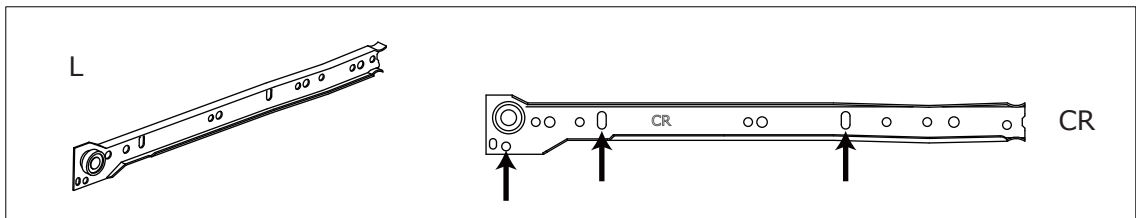
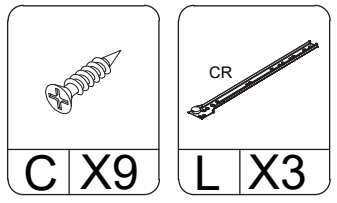
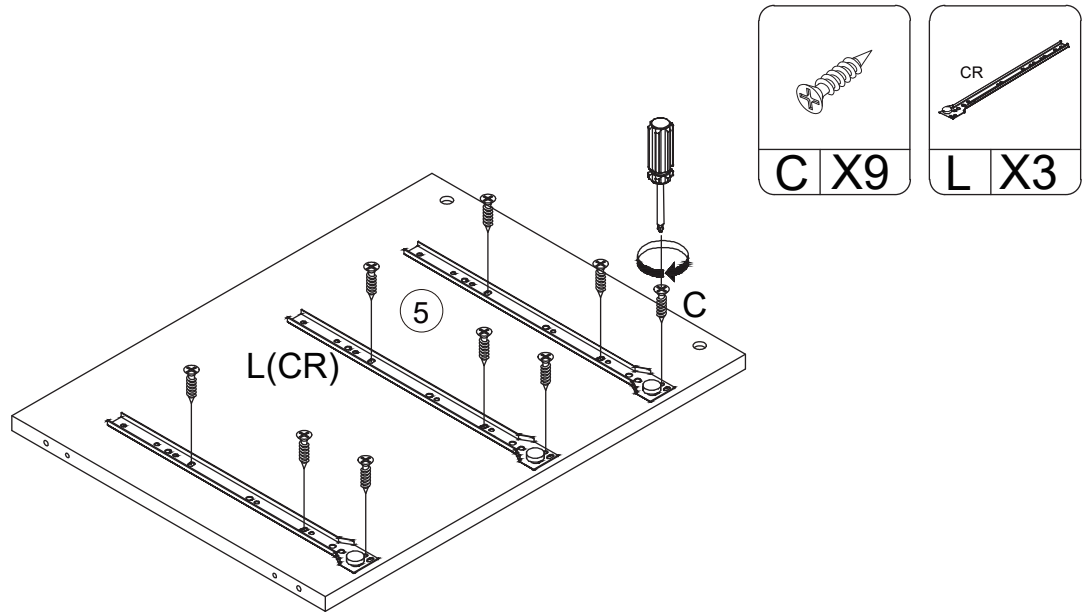
# 6



Insert Back panel (7) into the grooves of Left side panel (3), Right side panel (4) and Back support panel (6).

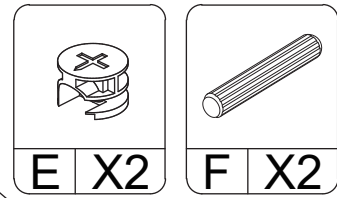
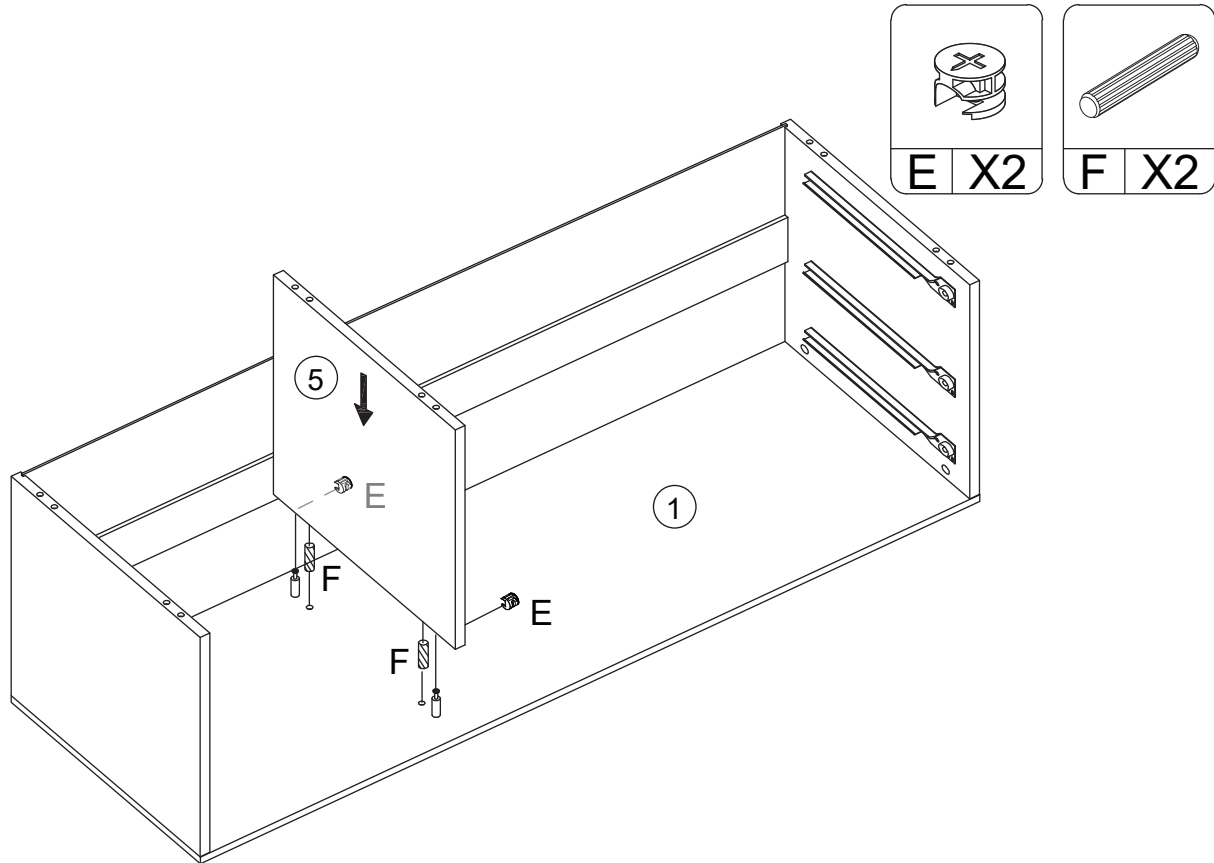


# 7



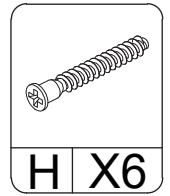
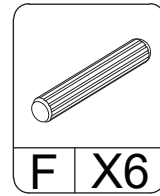
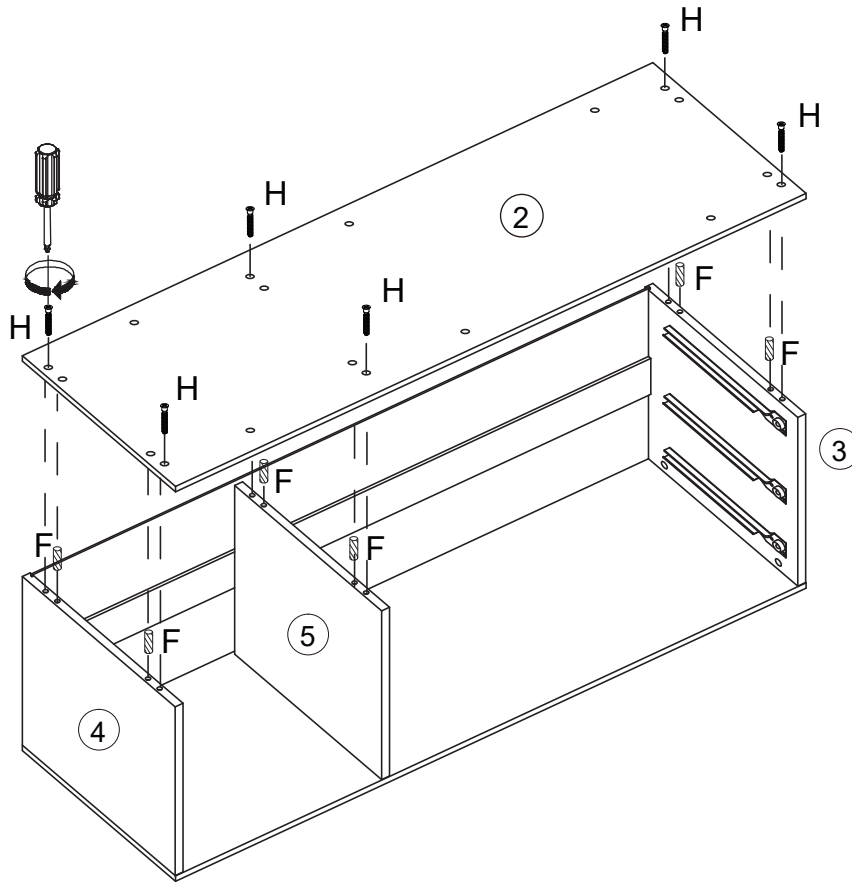
Fix 3 x Slide Tracks L (CR) onto Divider (5) with 9 x Screws (C) using a screwdriver.

# 8



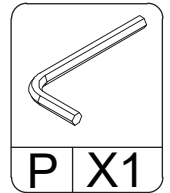
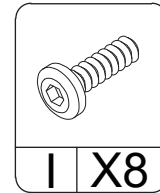
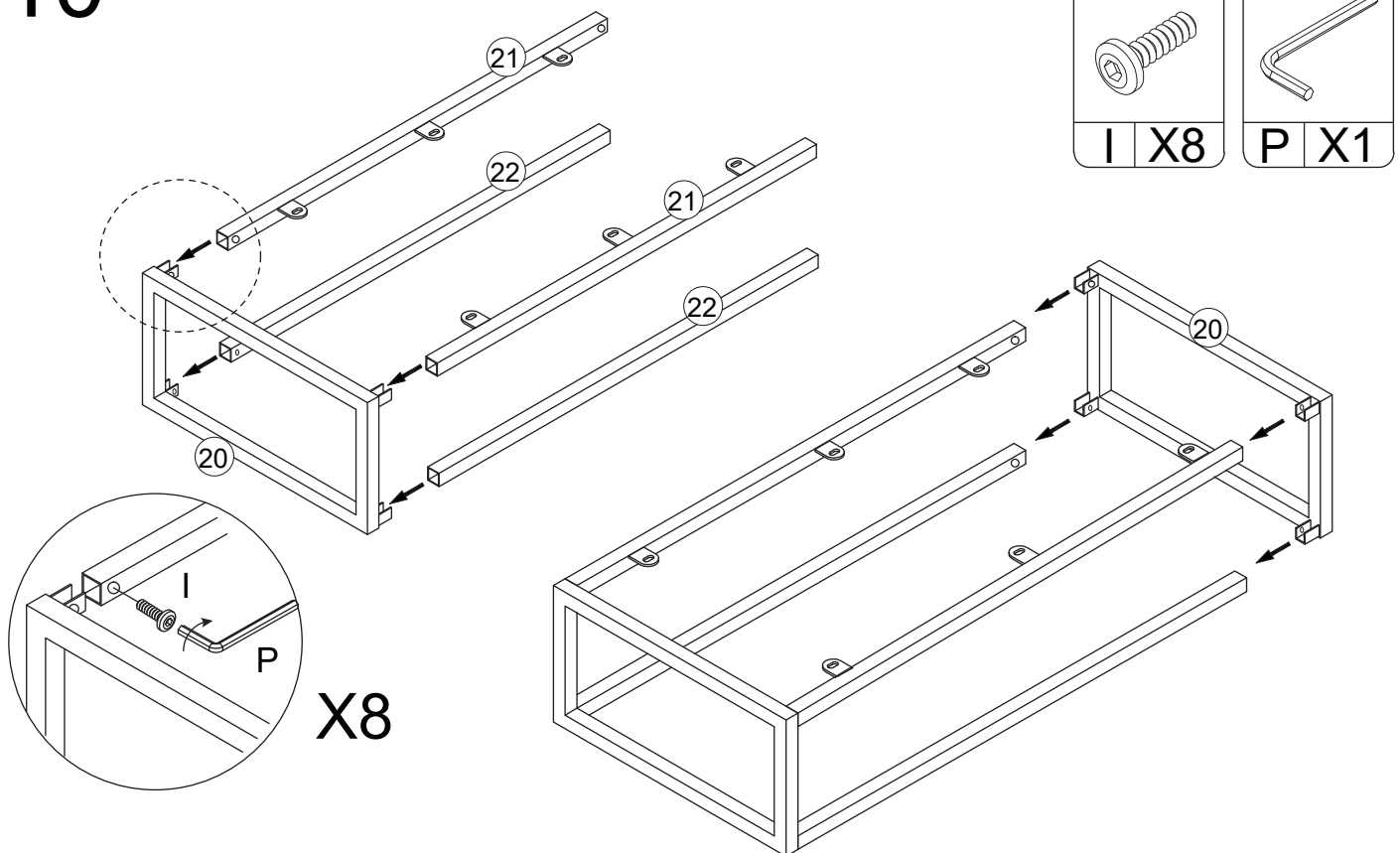
Insert 2 x Dowels (F) into Divider (5) as shown.  
 Position Divider (5) onto the Top panel (1).  
 Insert 2 x Cam nuts (E) into Divider as shown.  
 Use a screwdriver to turn Cam nuts (E) clockwise to lock.

# 9



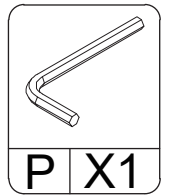
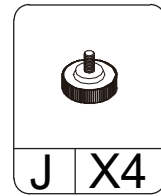
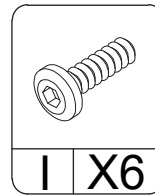
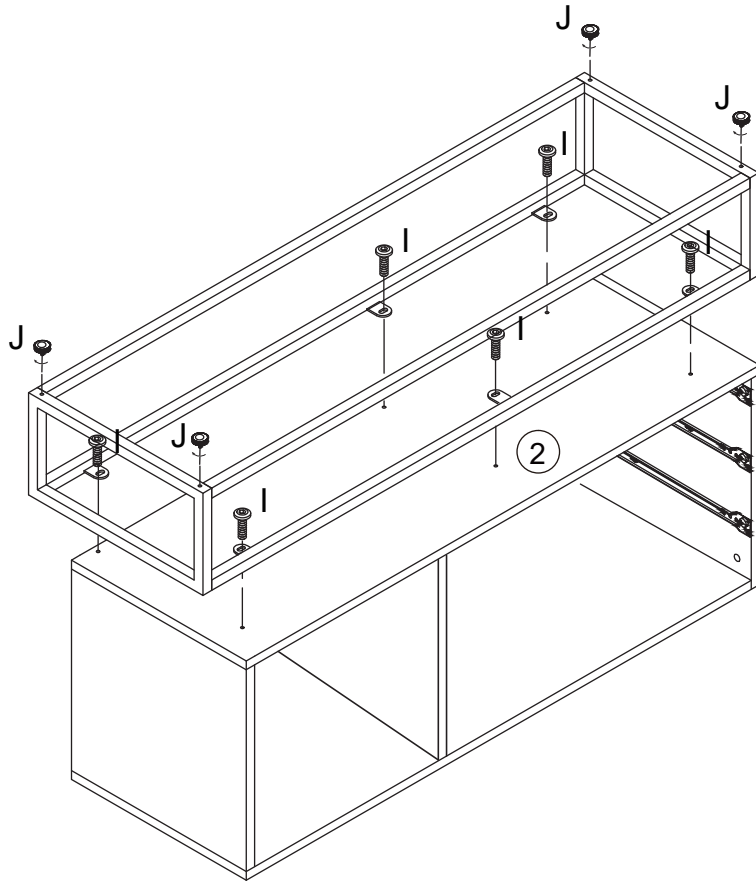
Insert 6 x Dowels (F) into Left side panel (3), Right side panel (4) and Divider (5) as shown. Attach Bottom panel (2) to the assembled frame with 6 x Screws (H) using a screwdriver.

# 10



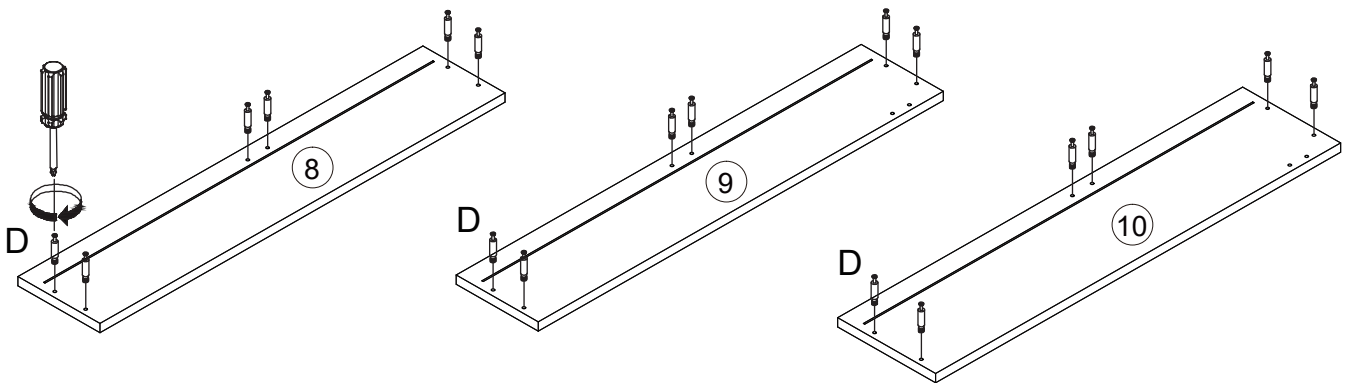
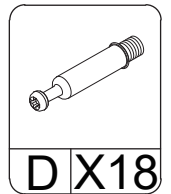
Fix 2 x Metal support rails (21) and 2 x Metal support rails (22) between 2 x Metal leg frames (20) with 8 x Bolts (G) using Allen key (N) as shown.

# 11



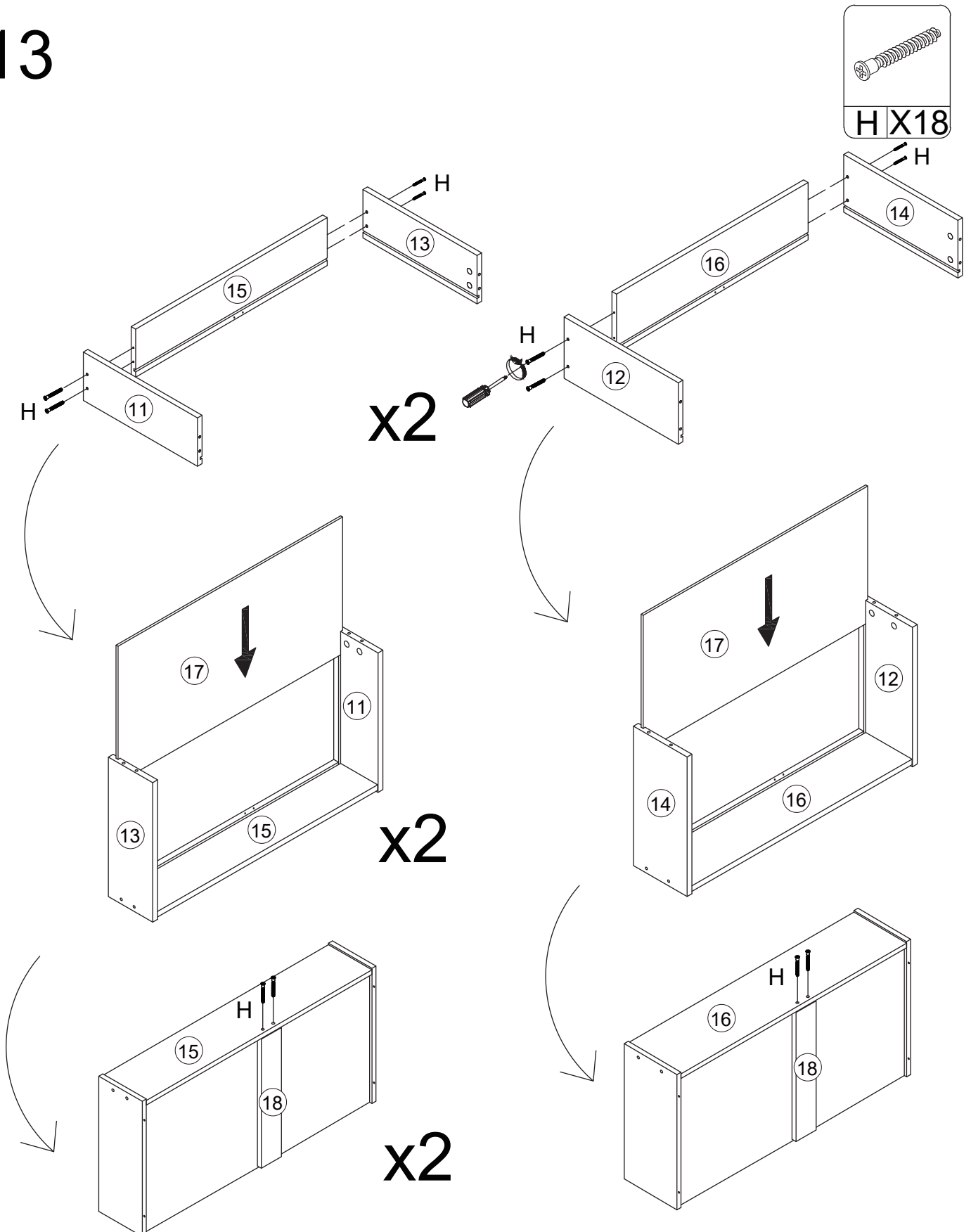
Attach the assembled metal base frame onto the assembled cabinet with 6 x Bolts (I) with Allen key (P).  
Screw 4 x Adjustable Feet (J) into the metal base frame as shown.  
With help, turn the assembled unit upright.

# 12



Screw 18 x Cam bolts (D) into Drawer fronts (8), (9) and (10) using a screwdriver as shown.

# 13

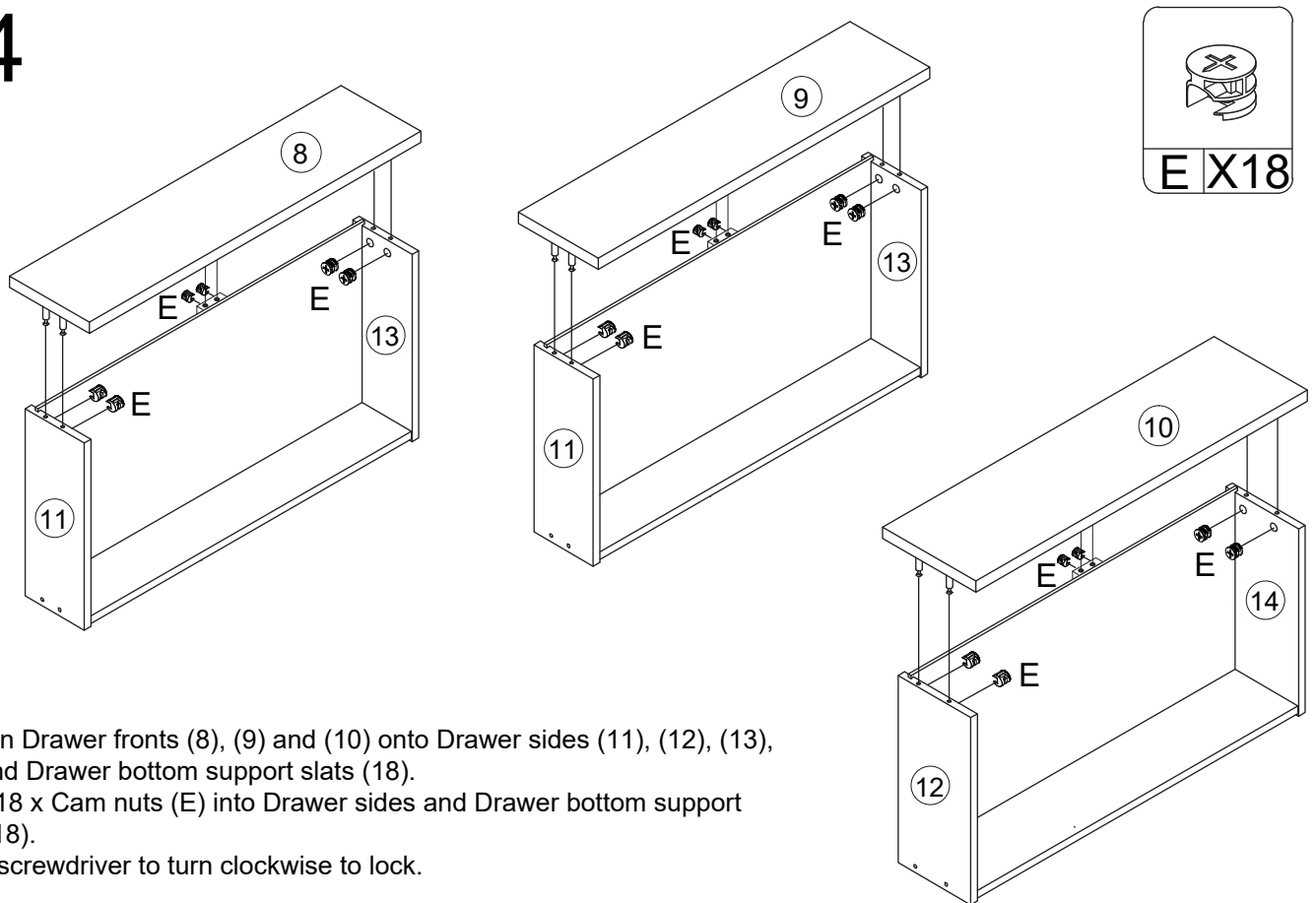


Fix Drawer back panel (15) onto Left drawer side (11) and Right drawer side (13) with 4 x Screws (H) using a screwdriver.  
Slide Drawer bottom (17) into the grooves of Left drawer side (11), Right drawer side (13) and Drawer back (15) as shown.  
Fix Drawer bottom support slat (18) onto Drawer back (15) with 2 x Screws (H) using a screwdriver.

Repeat with the remaining Drawer panels.

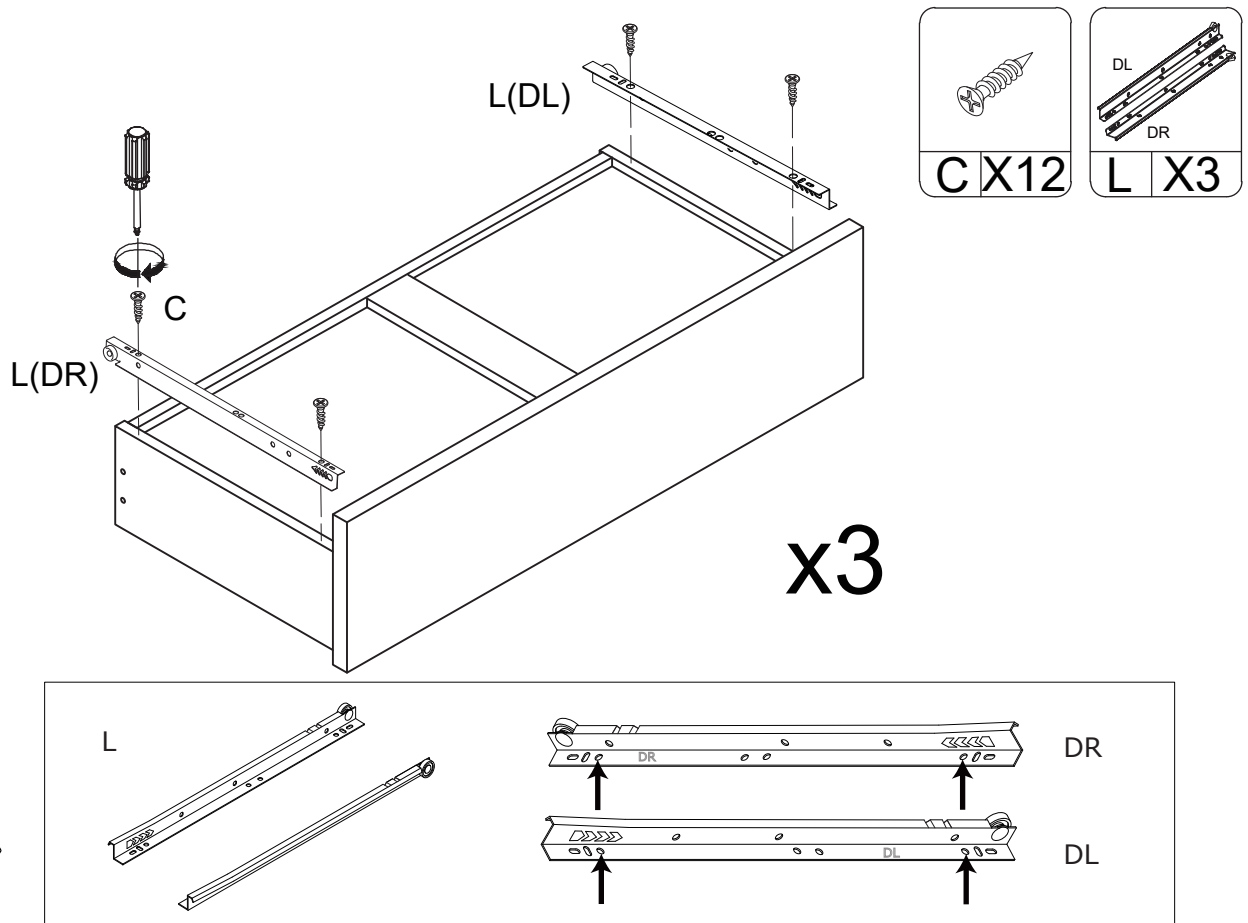
Fix Drawer back panel (16) onto Left drawer side (12) and Right drawer side (14) with 4 x Screws (H) using a screwdriver.  
Slide Drawer bottom (17) into the grooves of Left drawer side (12), Right drawer side (14) and Drawer back (16) as shown.  
Fix Drawer bottom support slat (18) onto Drawer back (16) with 2 x Screws (H) using a screwdriver.

# 14



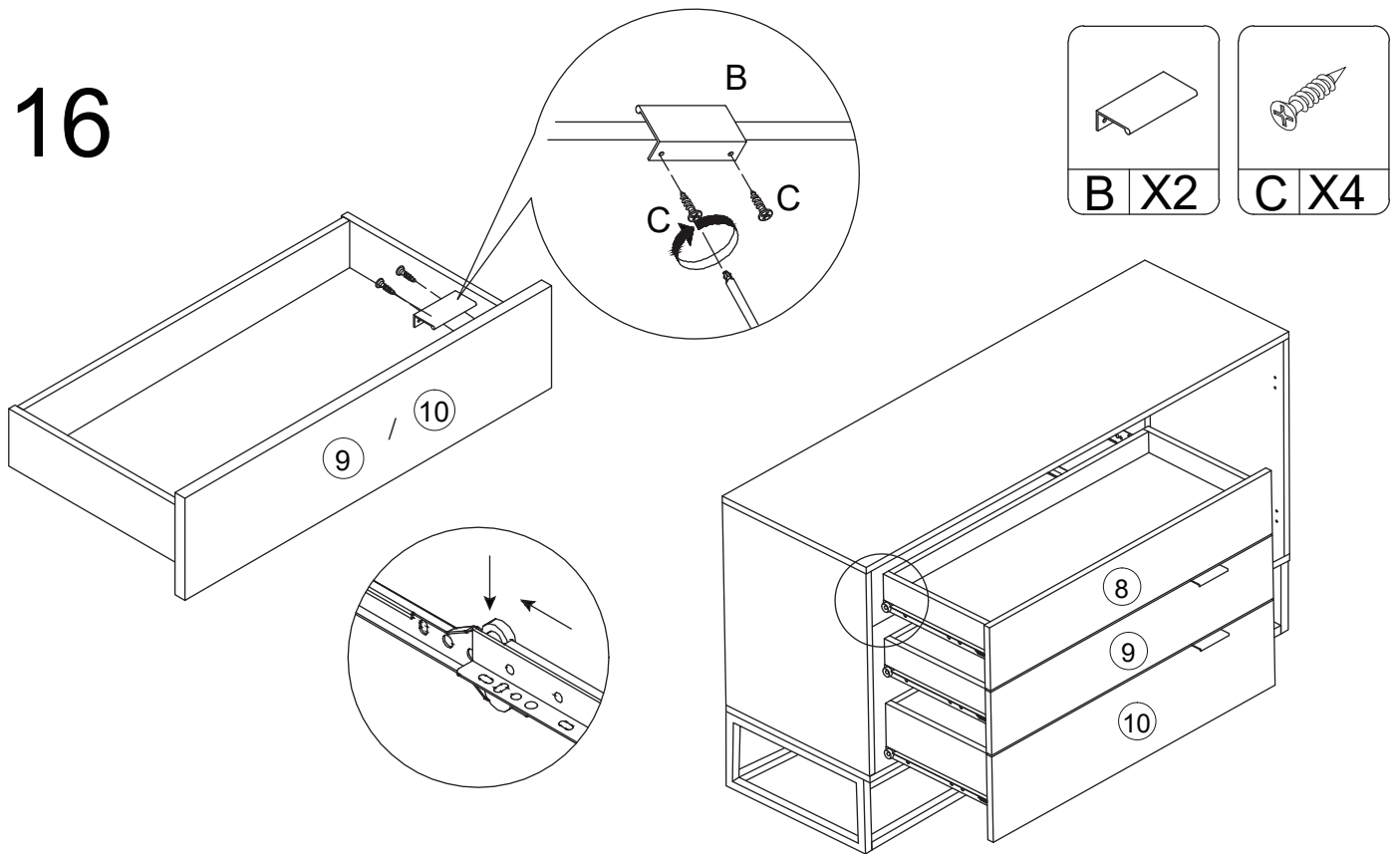
Position Drawer fronts (8), (9) and (10) onto Drawer sides (11), (12), (13), (14) and Drawer bottom support slats (18).  
 Insert 18 x Cam nuts (E) into Drawer sides and Drawer bottom support slats (18).  
 Use a screwdriver to turn clockwise to lock.

# 15



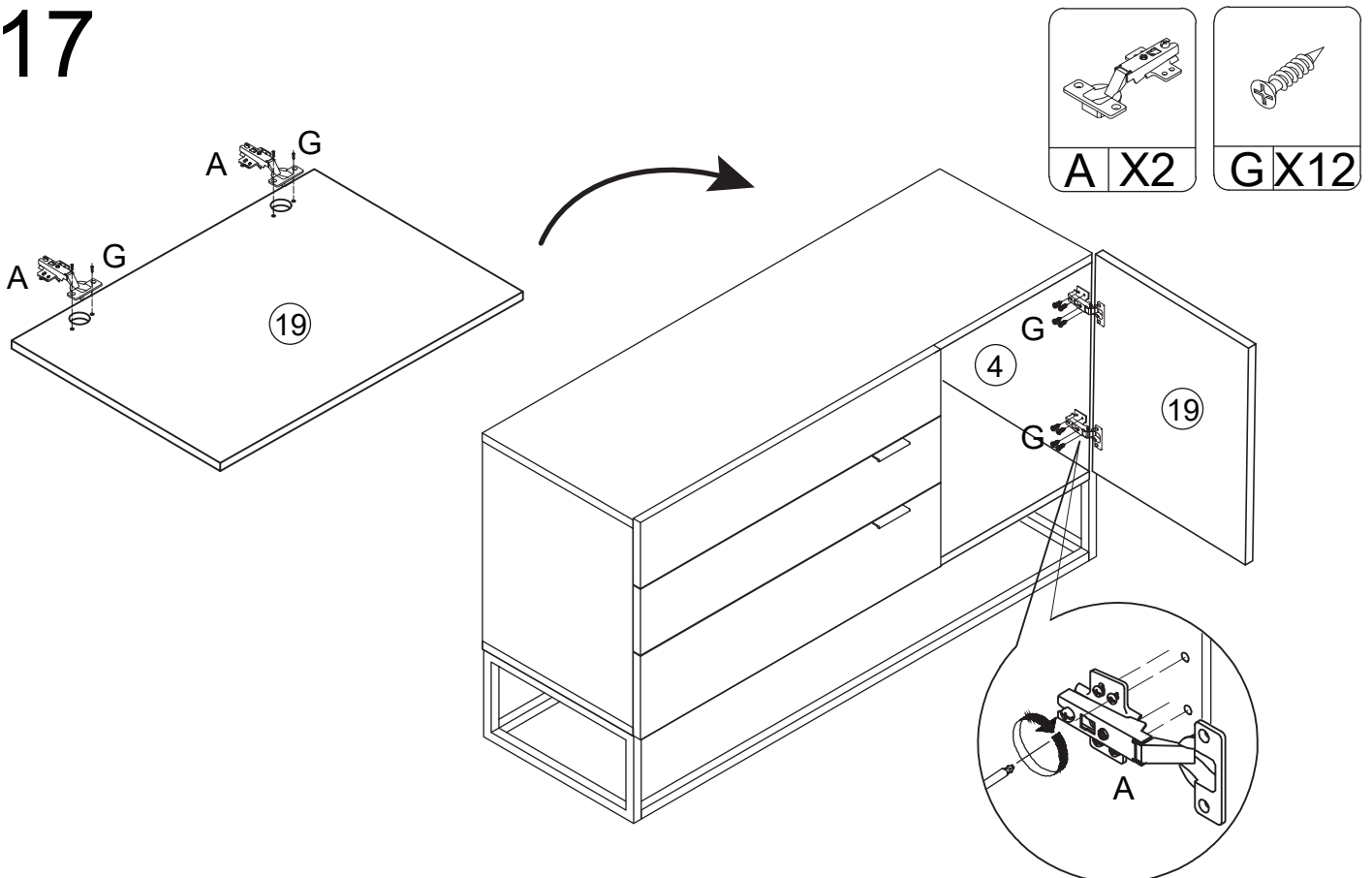
Fix Slider runner L (DL) onto the Left drawer sides with 2 x Screws (C) using a screwdriver.  
 Fix Slider runner L (DR) onto the Right drawer sides with 2 x Screws (C) using a screwdriver as shown.  
 Repeat with the remaining Drawers.

# 16

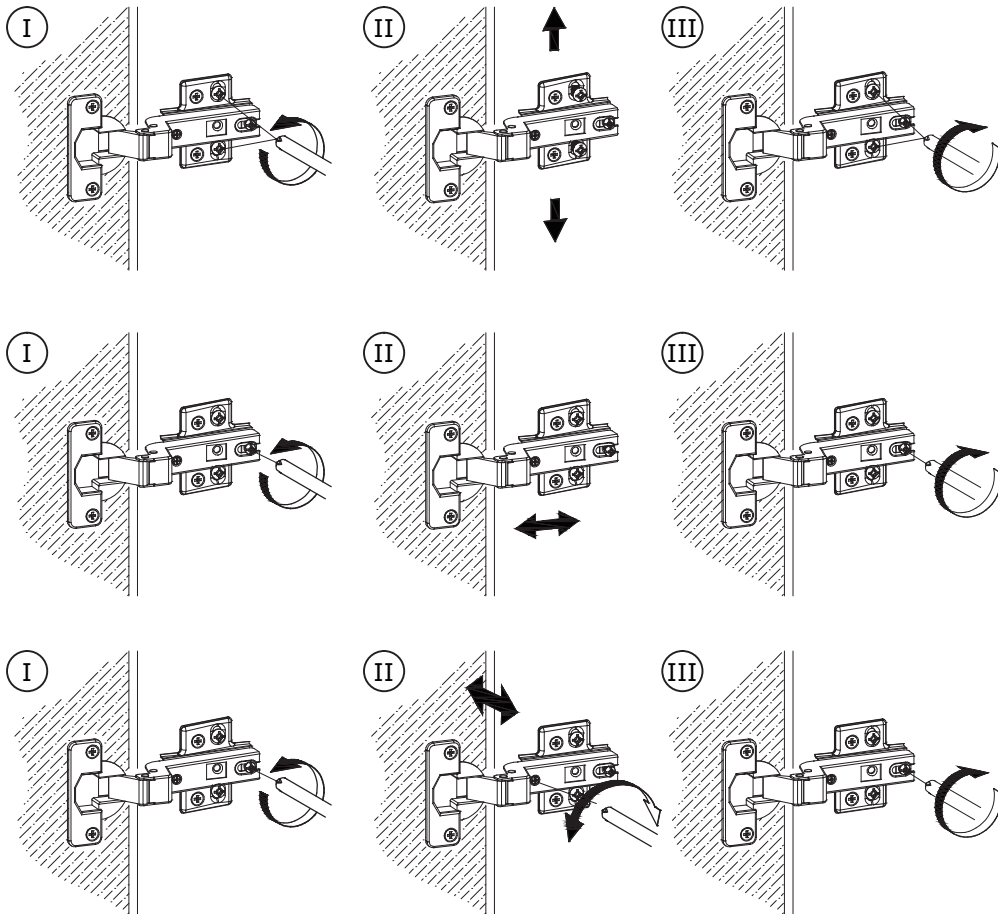


Attach 2 x Handles (B) to Drawer fronts (9) and (10) with 4 x Bolts (C) using a screwdriver as shown.  
 Slide drawer with Drawer Front (8) onto the top two slide tracks as shown.  
 Slide drawer with Drawer Front (9) onto the middle two slide tracks as shown.  
 Slide drawer with Drawer Front (110) onto the bottom two slide tracks as shown.

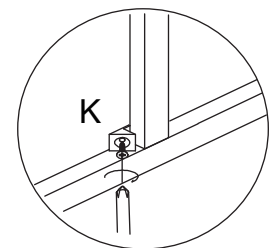
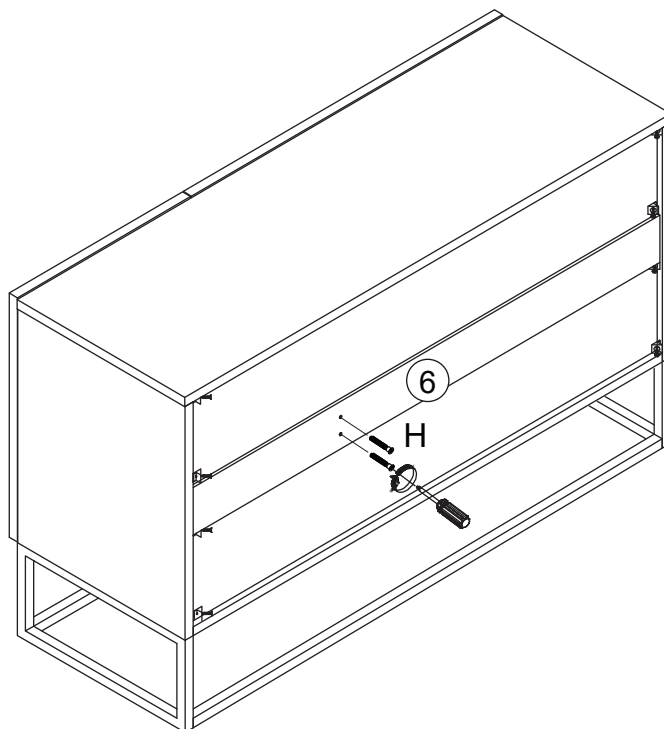
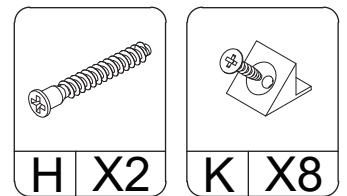
# 17



Attach 2x Hinges (A) to Door (19) with 4x Screws (G) using a screwdriver.  
 Attach Door (19) to Right side panel (4) with 8 x Screws (G) using a screwdriver as shown.  
 If necessary, adjust the Hinges (A) using a Screwdriver.



# 18

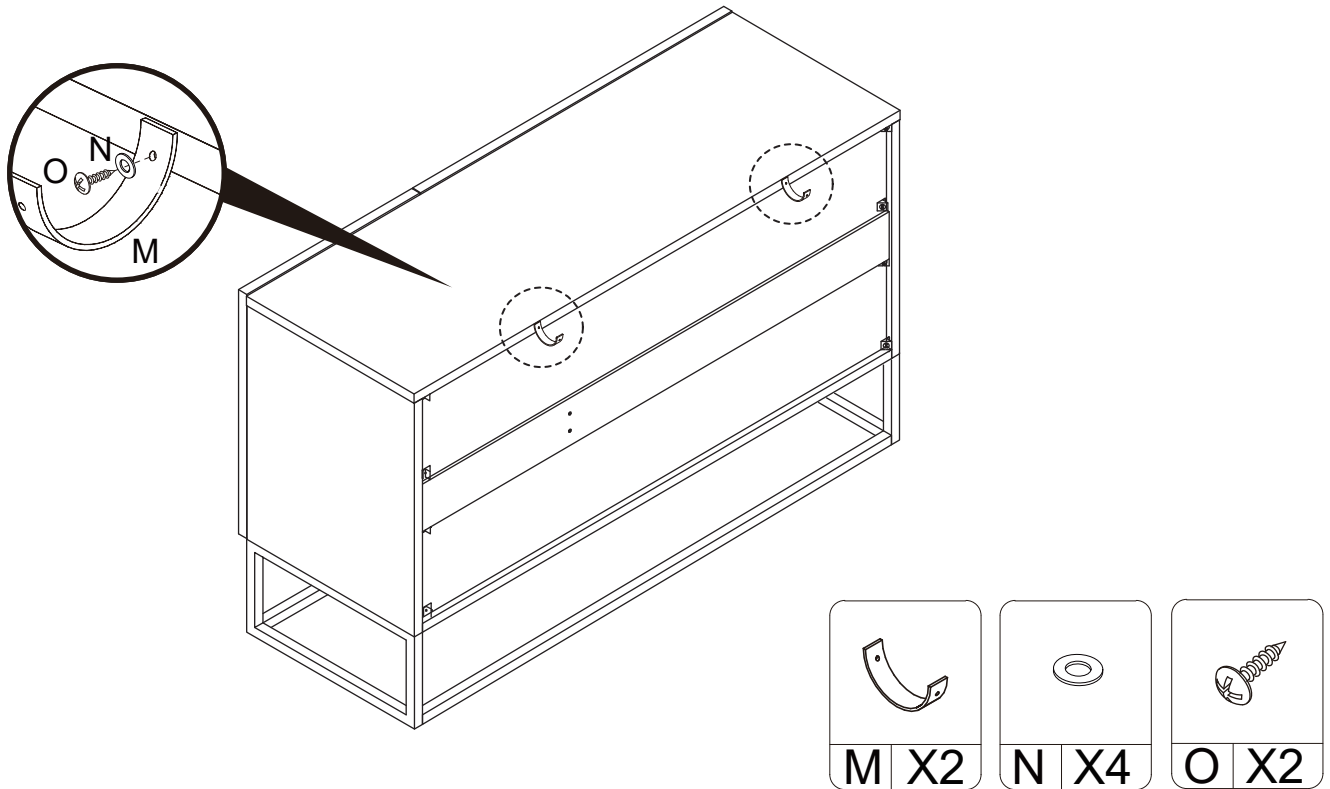


Fix Back support panel (6) to Divider (5) with 2 x Screws (H) using a screwdriver.  
 Fix 8 x Back panel holders (K) to assembled unit with 8 x Screws using a screwdriver.

# 19

## NOTE-

We recommend this product to be permanently fixed to the wall with the strap(s) included, to avoid fatal injury in case it topples over. The pack only contains screws for fastening the anti-topple strap(s) itself to the product. Please contact your DIY or hardware store for advice on the correct type of screws/wall plugs for your type of wall.



Fix the 2 x Wall straps (M) with 2 x Screws (O) and 2 x Washers (N) to the backside of Top panel as shown.

Move the Sideboard into position against a wall.

Mark suitable positions for the wall fixings.

Follow instructions to install the wall fixings onto the wall.

Reposition the Sideboard and fix the Wall straps (M) and 2 x Washers (N) to the wall with wall fixing.

Assembly is complete.