

ASSEMBLY INSTRUCTIONS GLCBCT80

Read these instructions and follow steps carefully to ensure you assemble the product correctly and avoid damages. Check that all parts and hardware have been provided before assembling the product. Place all contents on a clean, soft-flat surface to avoid scratching the product.

CAUTION:

Only tighten bolts to 80% at first. Once all parts have been assembled, fully tighten all hardware.




To prevent damage to threads, do not use a power tool and do not overtighten bolts.

Use two people to lift and turn the product when assembling.

Do not attempt with only one person and do not roll onto legs.

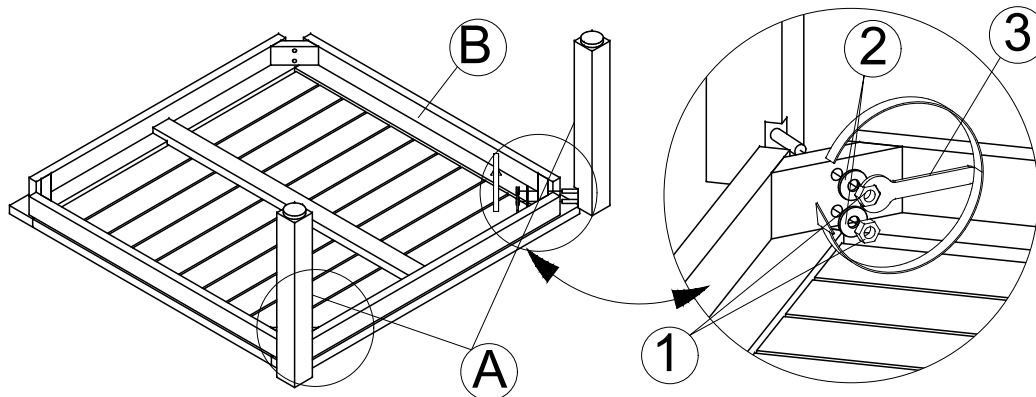
Keep all hardware and small parts away from children.

PART LIST		
ITEM	DESCRIPTION	QTY
A	LEG	4PCS
B	TABLE TOP	1PC

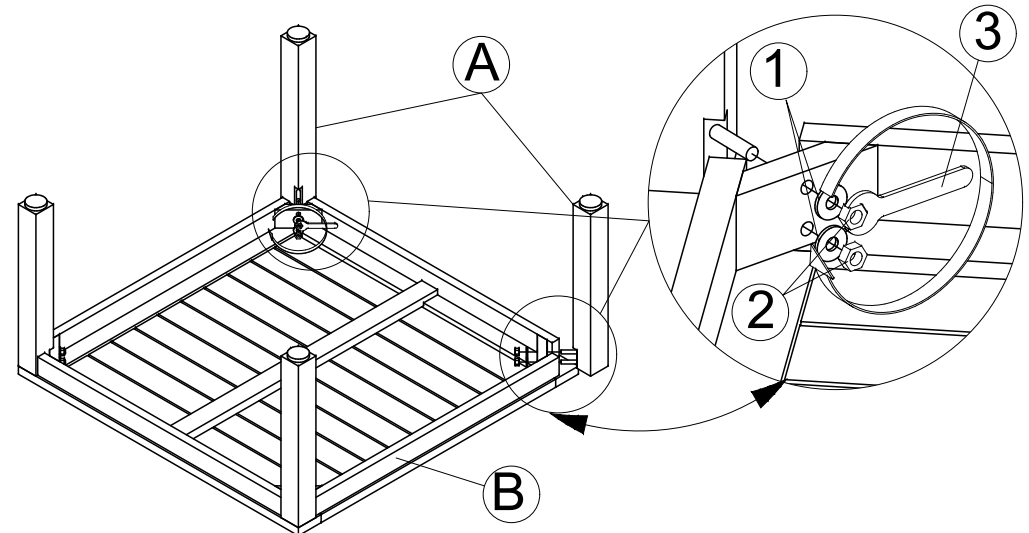
HARDWARE LIST		
ITEM	DESCRIPTION	QTY
1	LOCK NUTS 	8PCS
2	WASHERS 	8PCS
3	KEY 	1PC



STEP 1: Attach both legs (A) to table top (B). Install washers (2) and lock nuts (1) on each bolt of the legs as shown below. Use wrench (3) to secure.



STEP 2: Attach both legs (A) to table top (B). Install washers (2) and lock nuts (1) on each bolt of the legs as shown below. Use wrench (3) to secure.



ASSEMBLY INSTRUCTIONS GLCBCT80

Read these instructions and follow steps carefully to ensure you assemble the product correctly and avoid damages. Check that all parts and hardware have been provided before assembling the product. Place all contents on a clean, soft-flat surface to avoid scratching the product.

⚠ CAUTION:

Only tighten bolts to 80% at first. Once all parts have been assembled, fully tighten all hardware.



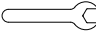
To prevent damage to threads, do not use a power tool and do not overtighten bolts.

Use two people to lift and turn the product when assembling.

Do not attempt with only one person and do not roll onto legs.

Keep all hardware and small parts away from children.

PART LIST		
ITEM	DESCRIPTION	QTY
A	LEG	4PCS
B	TABLE TOP	1PC

HARDWARE LIST		
ITEM	DESCRIPTION	QTY
1	LOCK NUTS 	8PCS
2	WASHERS 	8PCS
3	KEY 	1PC



STEP 3: Place the assembled table upright on a level surface. Ensure the table is aligned & level, then fully tighten all lock nuts using wrench (3). Your table is now ready for use.

