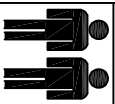


# TEMPLE & WEBSTER



2 PERSON  
RECOMMENDED

MODEL: CFCHDBRP,CFCHDBRP,  
CFCHQNBP

**“Read these instructions and follow steps carefully to ensure you assemble the product correctly and avoid damages. Check that all parts and hardware have been provided before assembling the product. Place all contents on a clean, soft-flat surface to avoid scratching the product.”**



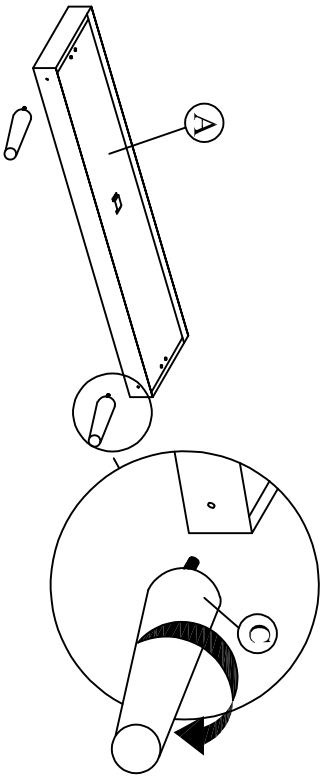
## CAUTION:

**“Only tighten bolts to 80% at first. Once all parts have been assembled fully tighten all hardware. To prevent damage to threads, do not use a power tool and do not overtighten bolts. Use two people to lift and turn the product when assembling. Do not attempt with one person and do not roll onto legs. Keep all hardware and small parts away from children.”**

## ASSEMBLY INSTRUCTION

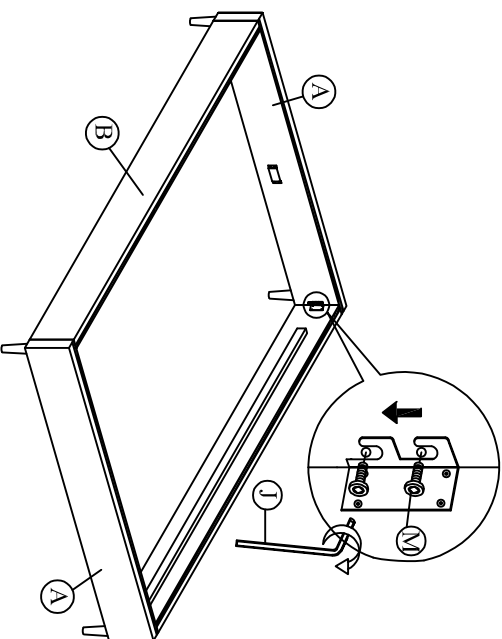
A	board	2 pcs
B	Side Rail	2 pcs
C	Legs	4 pcs
D	Center Rail	1 pc
E	Support Leg	2 pcs
F	Slat	24 pcs
G	Middle Holder	12 pcs
H	End Holder	24 pcs
I	JC9C M6 X 40	2 pcs
J	M5 x 70mm	1 pc
K	M4 x 65mm	1 pc
L	CSK M4 x 25mm	2 pcs
M	JC9B M8 X 20	8 pcs
N	Adjuster	2 pcs

Step 1: Install the legs (C) to headboard (A).

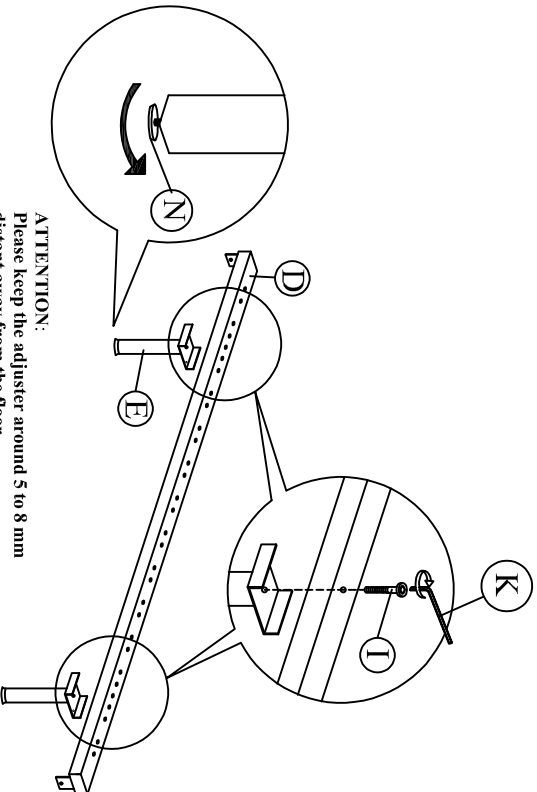


Please note total have 2 color option of bed feet (black & natural) for client selection.

Step 2: Attach side rail (B) to board (A) by pushing the bracket down to fit it.

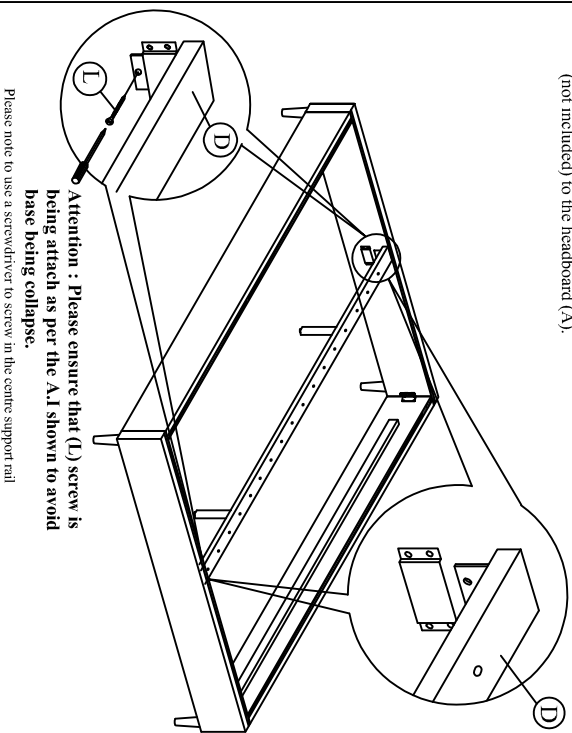


Step 3: Attach the support legs (E) to the center rail (D) of the bed as shown.



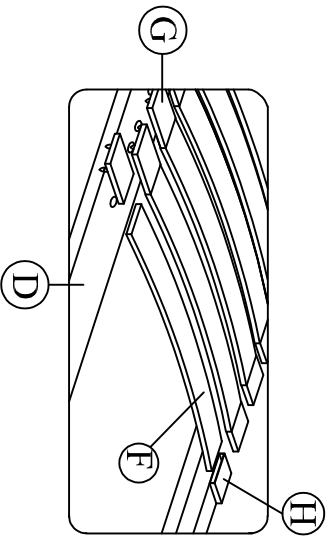
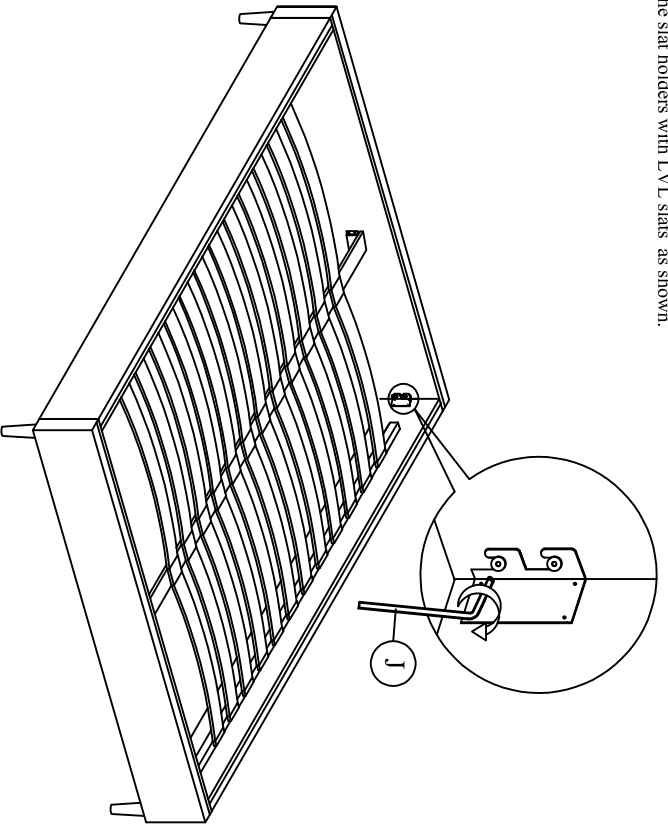
**ATTENTION:**  
Please keep the adjuster around 5 to 8 mm distant away from the floor.

Step 4: Slide the center rail (D) to the headboard (A). Tighten screws (L) using screw driver (not included) to the headboard (A).



**Attention :** Please ensure that (L) screw is being attach as per the A.I shown to avoid base being collapse.  
Please note to use a screwdriver to screw in the centre support rail

Step 5: Tighten all the 4 corner, follow by assembly of the slat holders with L VL slats as shown.



Step 6 : Place the non black woven at the top of bed base and attached with the velcro.

