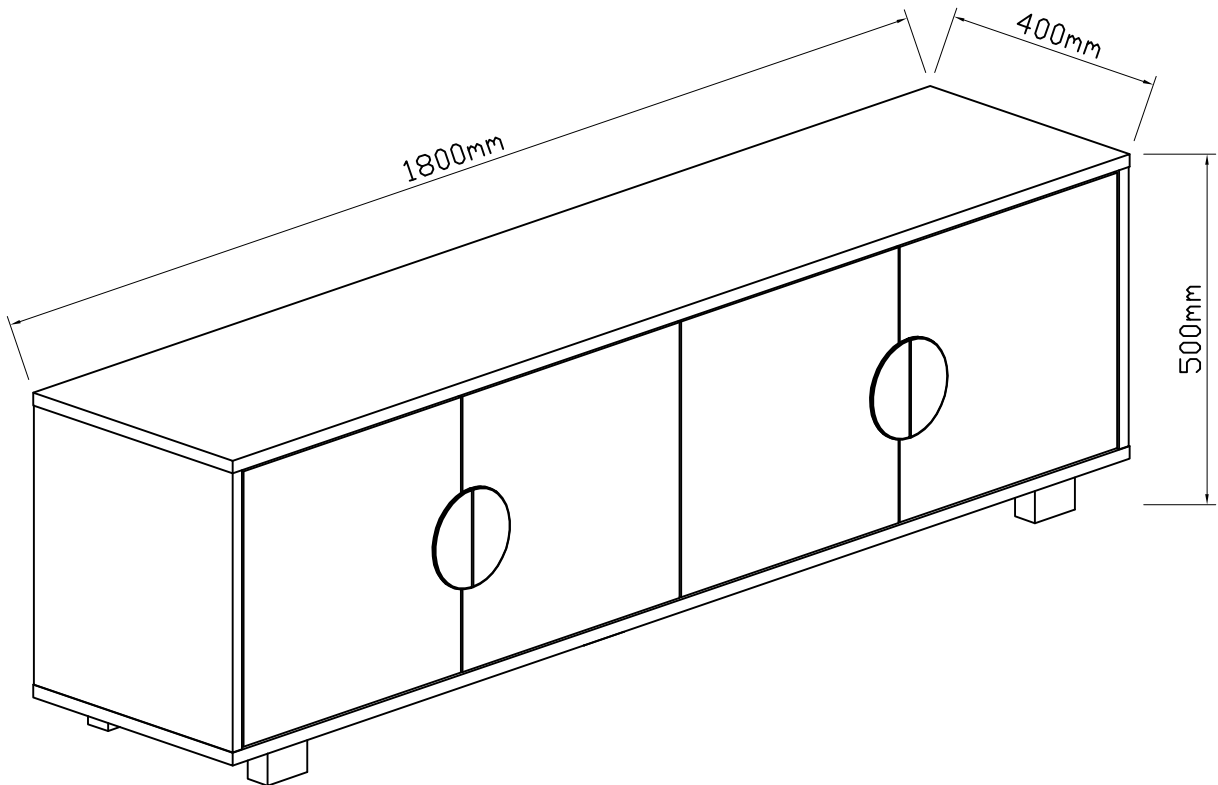


Assembly Instructions

Benji - 180cm Entertainment Unit



Please read the Assembly Instructions carefully
before assembling.

Imported By PRODESIGN FURNITURE PTY LTD.

WARNING

FAILURE TO FOLLOW THESE BASIC STEPS CAN LEAD TO DAMAGE THAT IS NOT COVERED BY YOUR WARRANTY

1. Read instructions carefully. Check no parts are missing.
2. Lay out all of the components on a soft surface as if you were preparing to do a jigsaw puzzle.
3. Carefully identify each component, especially those that are similar. The most common mistake is getting things back to front.
4. Separate and identify each component from the hardware pack and rest each one in its proper location before fastening.
5. **DO NOT** fully tighten screws (leave slightly loose). When the item is fully assembled tighten the screws - but do not over tighten.

Warning: In order to prevent overturning, this product must be used with the wall attachment device provided.

Daily Care:

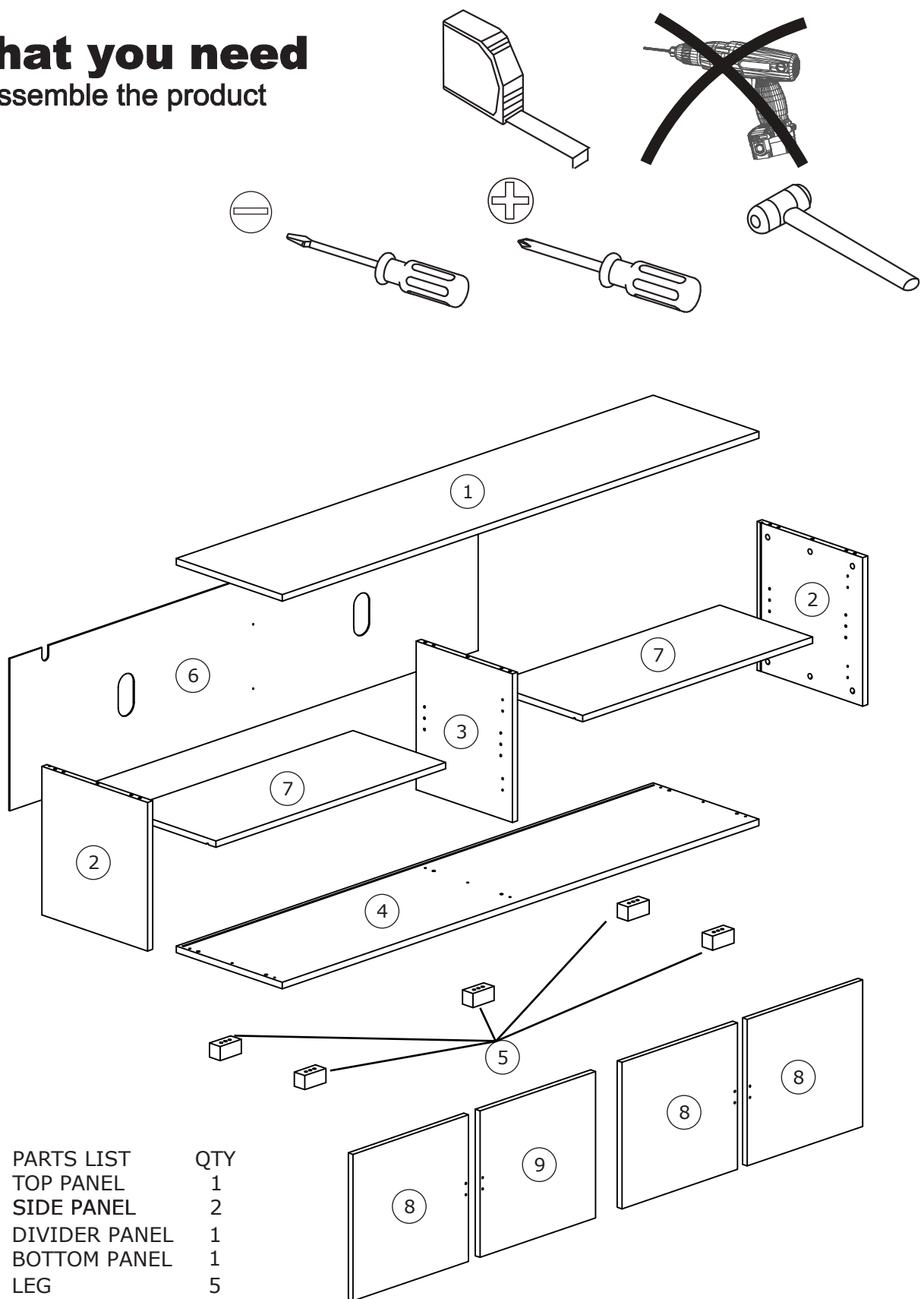
Water and other liquids can cause discoloration and damage to the surface. In case any liquids are spilled on the surface, remove immediately with a clean cloth. Avoid rubbing the spilled liquid into the veneer, but wipe gently, using a clean, firmly wrung damp cloth. If stains or marks persist, seek professional help and advice.

Wood expands and contracts according to the surrounding humidity and temperature. In case of temperature and humidity fluctuations, the wood might warp and/or crack. To avoid this, do not place the furniture near a radiator or in hot surroundings.

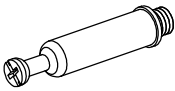
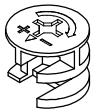

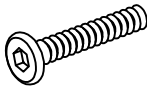


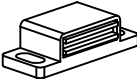
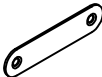
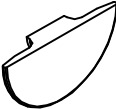


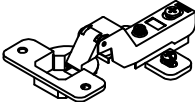
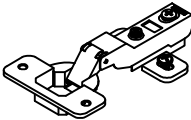
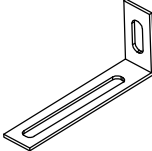
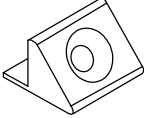

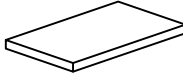

Take care when moving the furniture across the floor. Do not drag the furniture, as this can cause damage to both the furniture and the floor.

What you need

to assemble the product

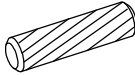


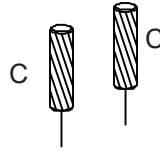
| NO. | PARTS LIST | QTY |
|-----|---------------|-----|
| (1) | TOP PANEL | 1 |
| (2) | SIDE PANEL | 2 |
| (3) | DIVIDER PANEL | 1 |
| (4) | BOTTOM PANEL | 1 |
| (5) | LEG | 5 |
| (6) | BACK PANEL | 1 |
| (7) | SHELF PANEL | 2 |
| (8) | DOOR PANEL | 3 |
| (9) | DOOR PANEL | 1 |

| | | | |
|---|--|--|---|
|  <p>18 x Connecting Bolt Ø6x44mm (A)</p> |  <p>18 x Locking Nut Ø15x12mm (B)</p> |  <p>22 x Wooden dowels Ø8x30mm (C)</p> |  <p>5 x Bolt M6x40mm (D)</p> |
|  <p>40 x Screws Ø3.5x16mm (E)</p> |  <p>14 x Screws Ø3.5x16mm (F)</p> |  <p>4 x Magnetic Door Catch (G)</p> |  <p>4 x Catch Plate (H)</p> |
|  <p>4 x Handle 150x75x22mm (J)</p> |  <p>8 x Bolts Ø4x23mm (K)</p> |  <p>8 x Shelf support Ø5x20mm (L)</p> |  <p>4 x Hinge FK17 (M)</p> |
|  <p>4 x Hinge FK9 (N)</p> |  <p>2 x Bracket 75x25x15mm (P)</p> |  <p>16 x Plastic Stopper 13.6x9x14mm (Q)</p> |  <p>1 x Allen key M4mm (R)</p> |
|  <p>5 x Foot pad 70x30x3mm (S)</p> |  <p>5 x Washer Ø6/Ø16x1.5mm (T)</p> | | |

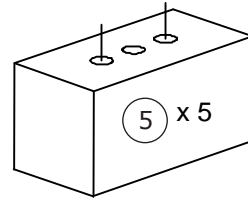
Please make sure you have all these parts before you start.

Step 1



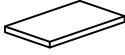

| | |
|---|--|
| You will need | |
|  | |
| 10 x Wooden dowels (C) | |

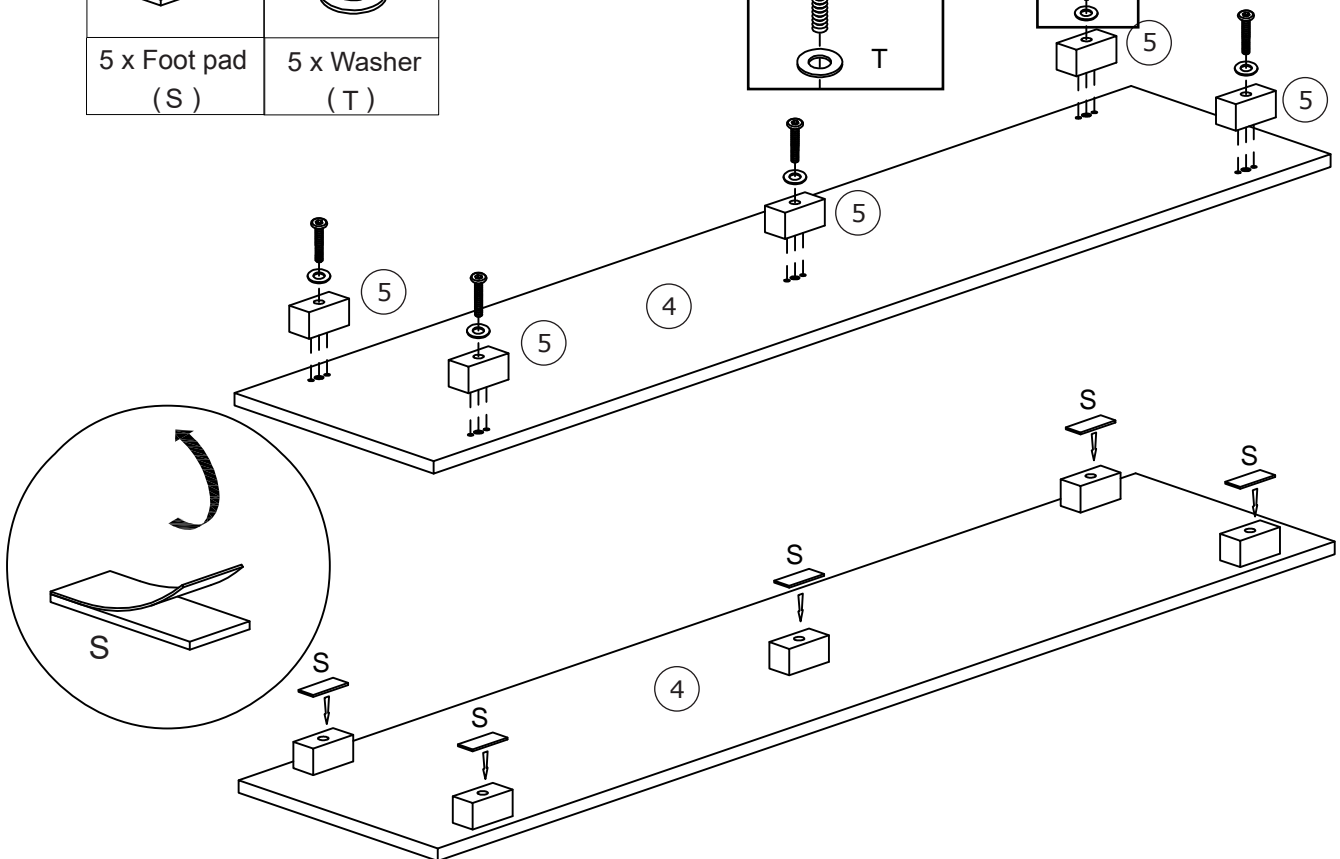
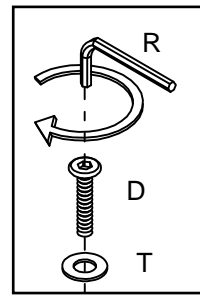


Insert 10 x Dowels (C) into 5 x Legs (5) as shown.



Step 2

| | |
|---|---|
| You will need | |
|  |  |
| 5 x Bolt (D) | 1 x Allen key (R) |
|  |  |
| 5 x Foot pad (S) | 5 x Washer (T) |

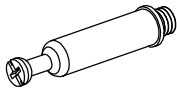


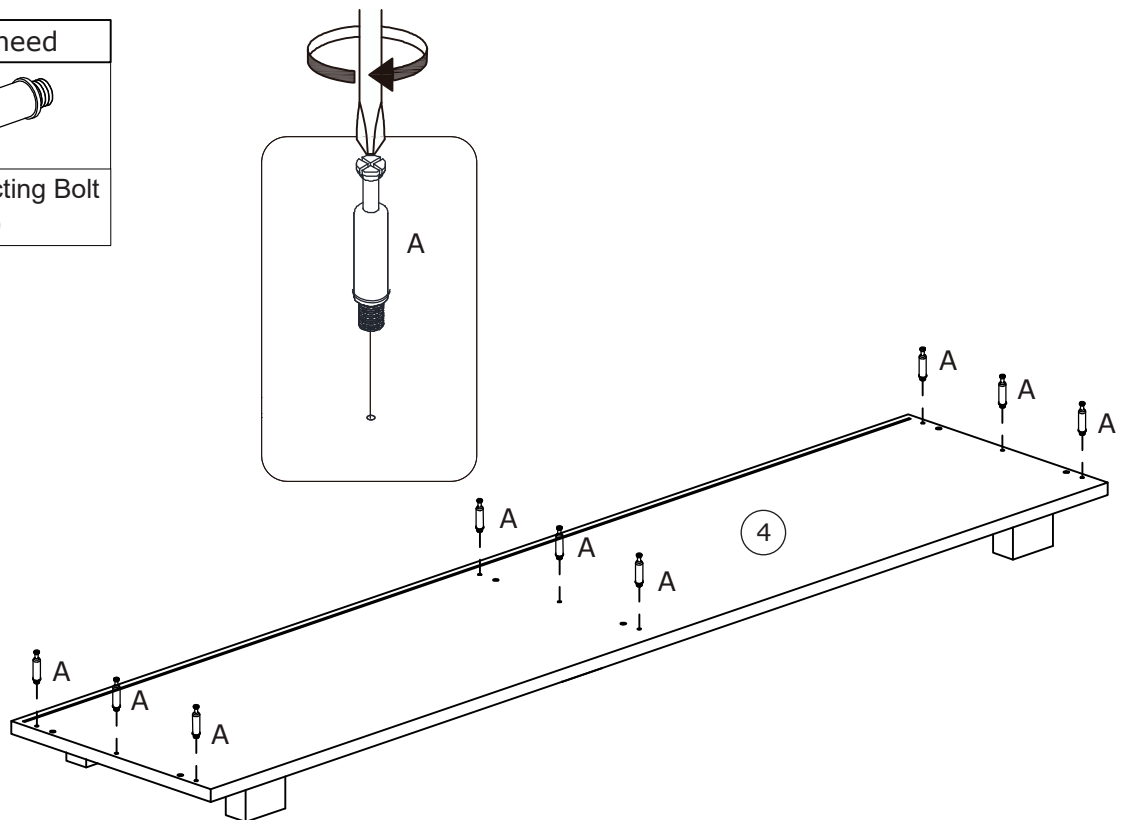
Fix 5 x Legs (5) onto Bottom Panel (4) with 5 x Bolts (D), 5 x Washers (T) using Allen key (R).

Attach 5 x Foot Pads (S) to the Legs (5).

Step 3

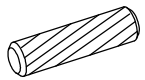
Screw 9 x Connecting Bolts (A) into Bottom Panel (4) as shown.

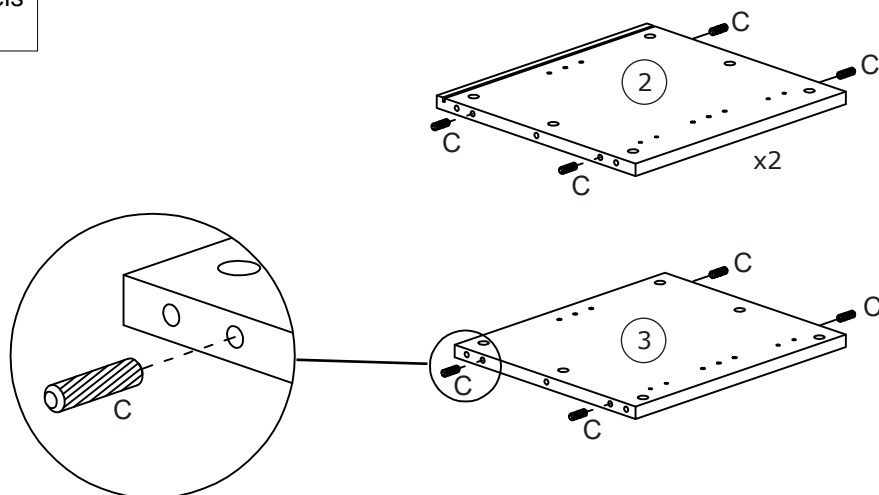
| |
|---|
| You will need |
|  |
| 9 x Connecting Bolt (A) |



Step 4

Insert 12 x Dowels (C) into Panel (2/3) as shown.

| |
|---|
| You will need |
|  |
| 12 x Wooden dowels (C) |



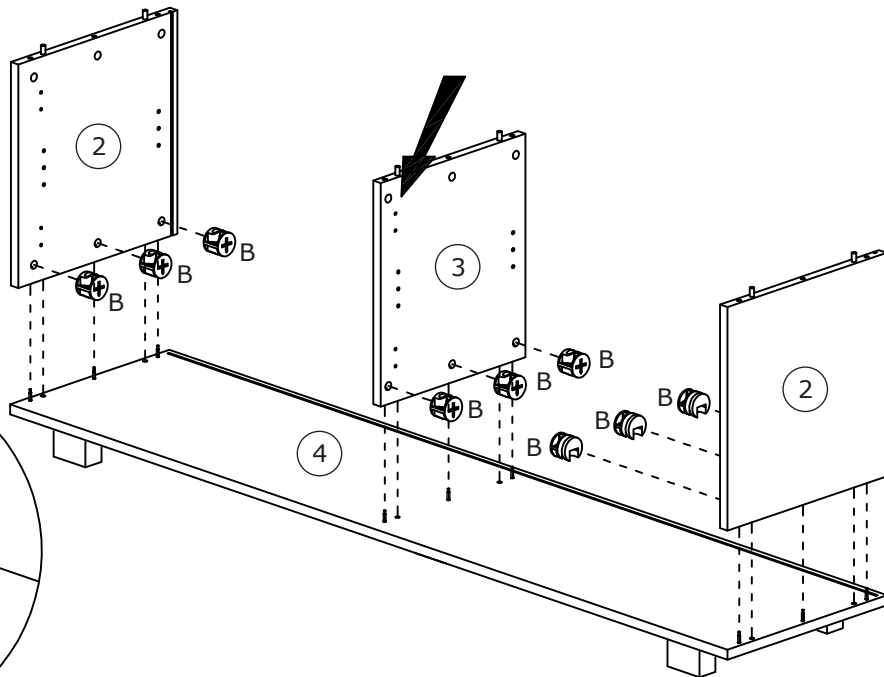
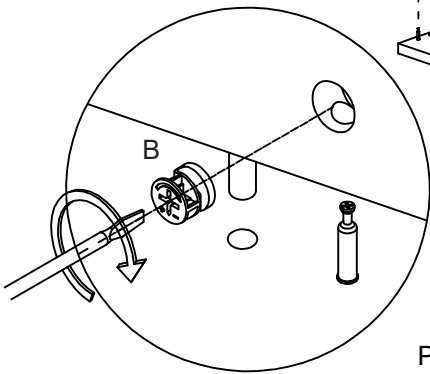
Step 5



You will need

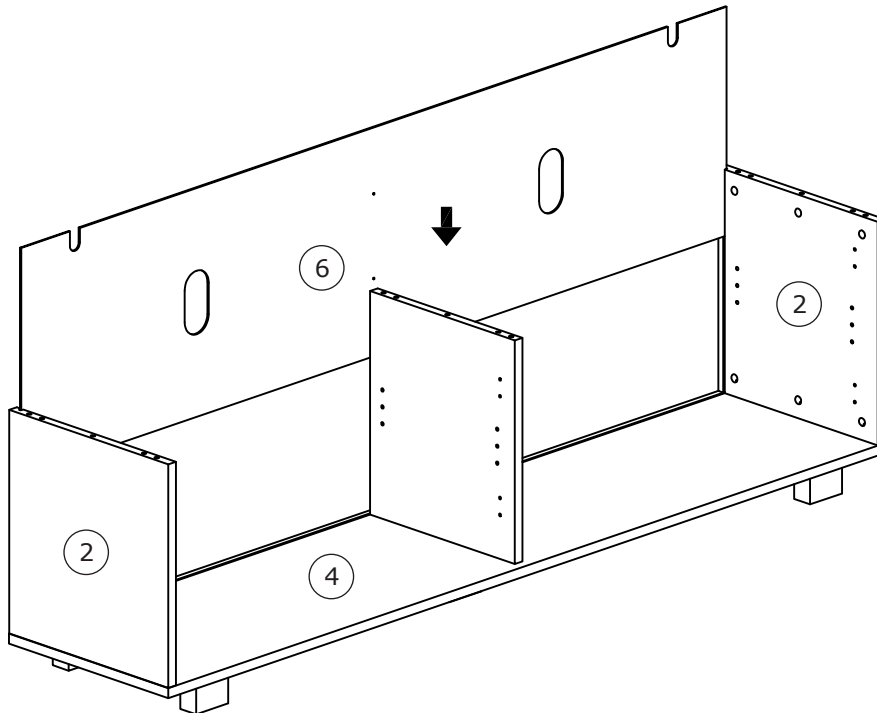


9 x Locking Nut
(B)



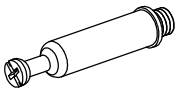


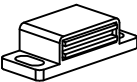
Position 2 x Side Panels (2) and Divider Panel (3) to Bottom Panel (4) as shown. Please make sure the locking nut holes are facing right on Divider Panel (3). Insert 9 x Locking Nuts (B) into the Side Panels (2) and Divider Panel (3). Use a screwdriver to turn the locking nuts clockwise to lock.

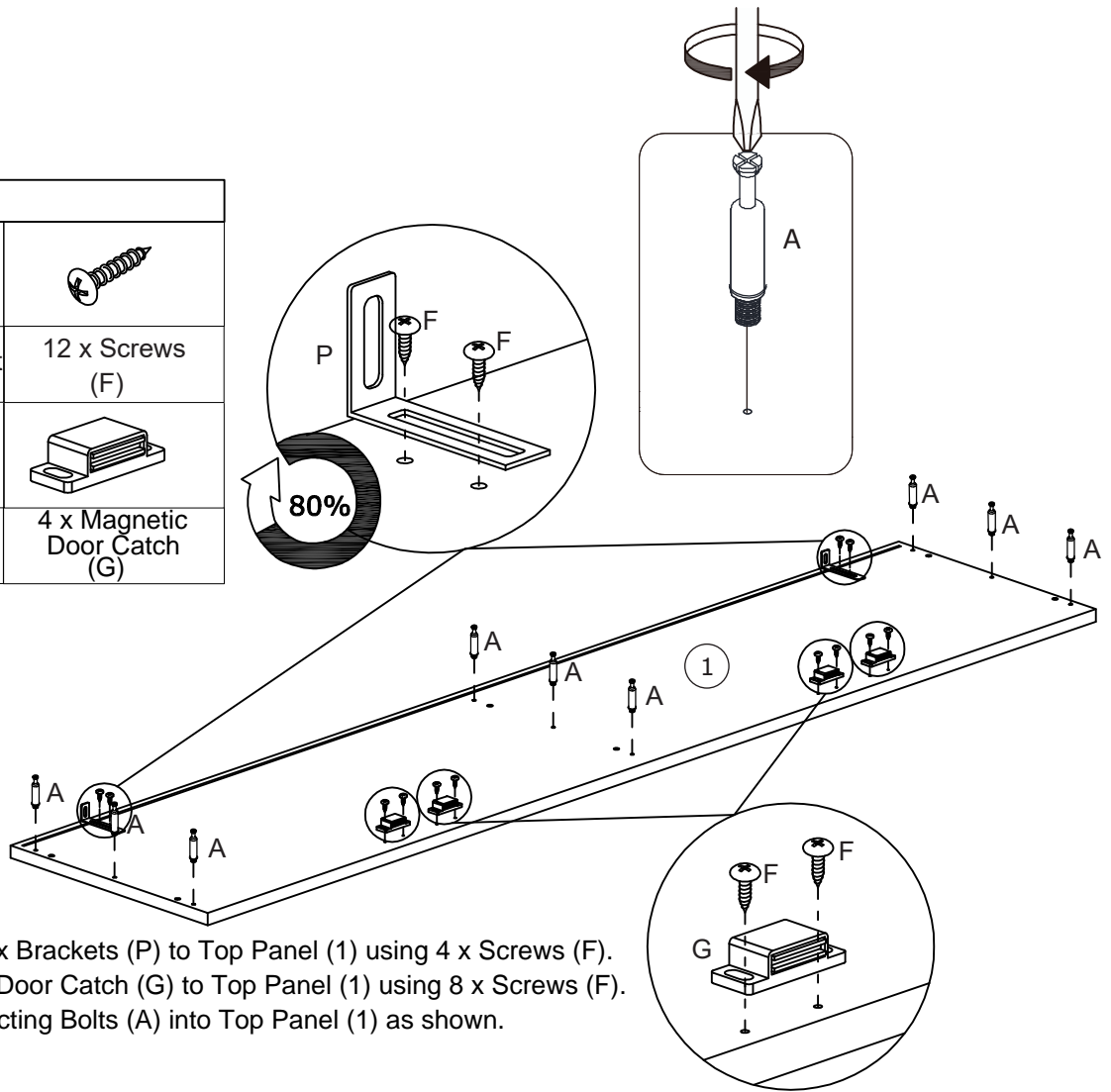
Step 6



Slide Back Panel (6) into the grooves of Side Panels (2) and Bottom Panel (4).


Step 7

| You will need | |
|---|---|
|  |  |
| 9 x Connecting Bolt (A) | 12 x Screws (F) |
|  |  |
| 2 x Bracket (P) | 4 x Magnetic Door Catch (G) |

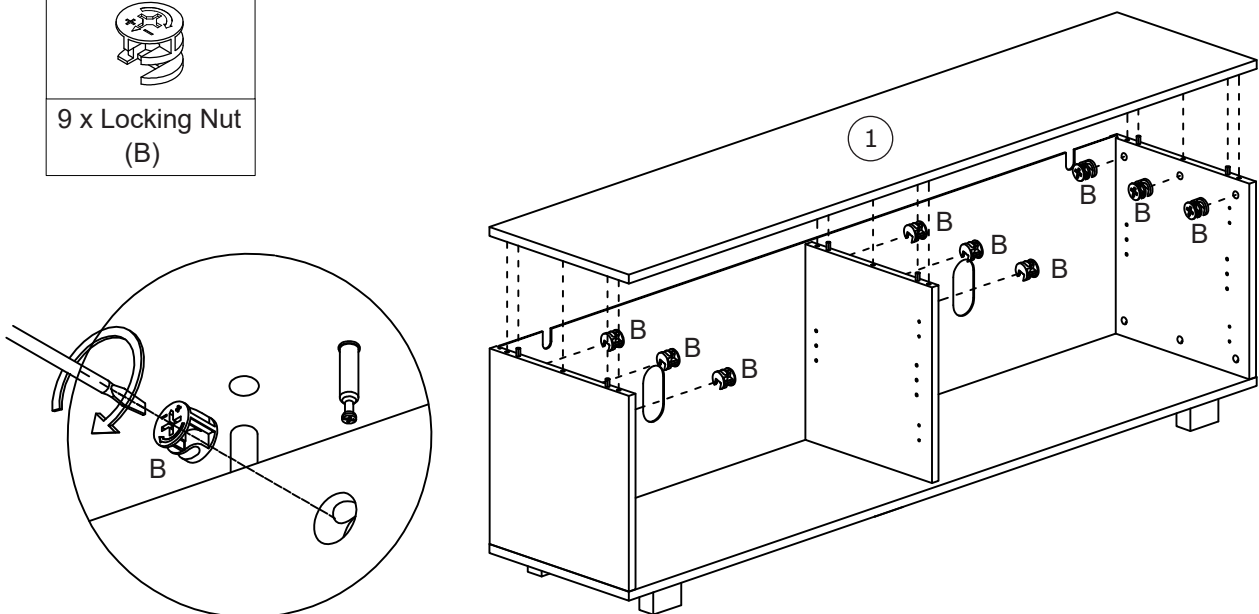


Loosely attach 2 x Brackets (P) to Top Panel (1) using 4 x Screws (F).
 Fix 4 x Magnetic Door Catch (G) to Top Panel (1) using 8 x Screws (F).
 Screw 9 x Connecting Bolts (A) into Top Panel (1) as shown.


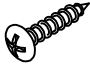

Step 8

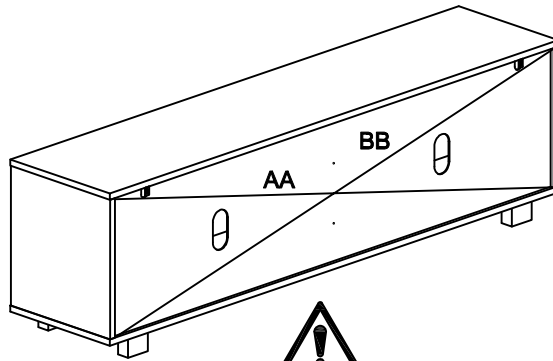
| You will need |
|---|
|  |
| 9 x Locking Nut (B) |

Attach Top Panel (1) to the frame using 9 x Locking Nuts (B).
 Use a screwdriver to turn the locking nuts clockwise to lock.

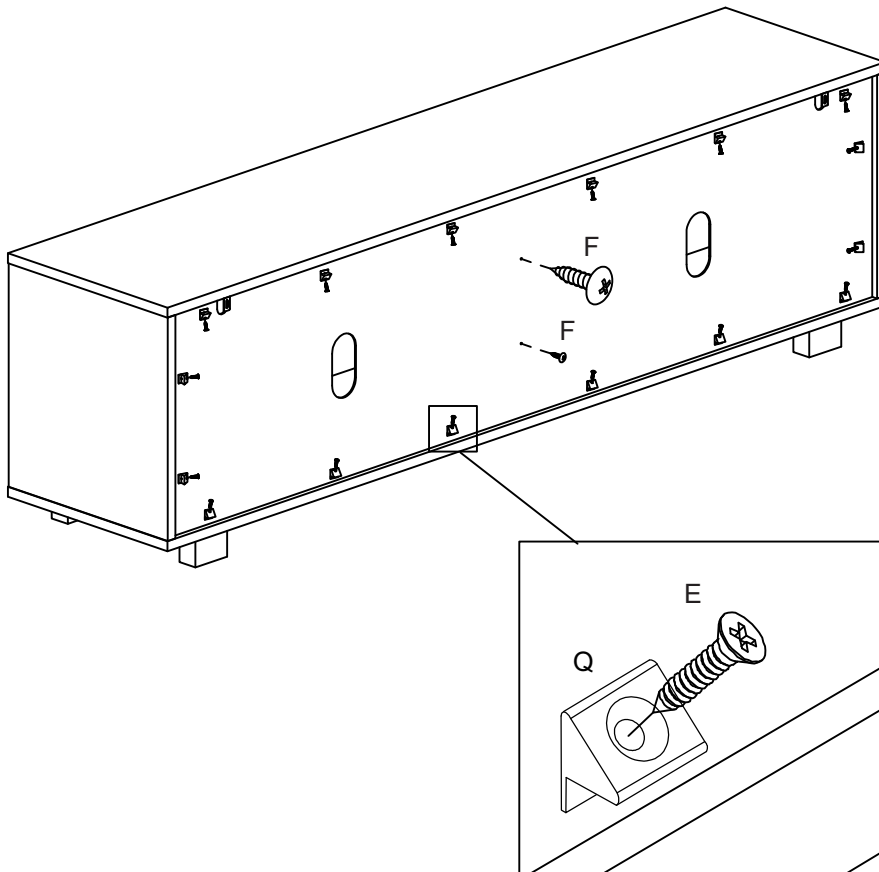


Step 9

| You will need | |
|---|---|
|  |  |
| 16 x Screws (E) | 2 x Screws (F) |
|  | |
| 16 x Plastic Stopper (Q) | |

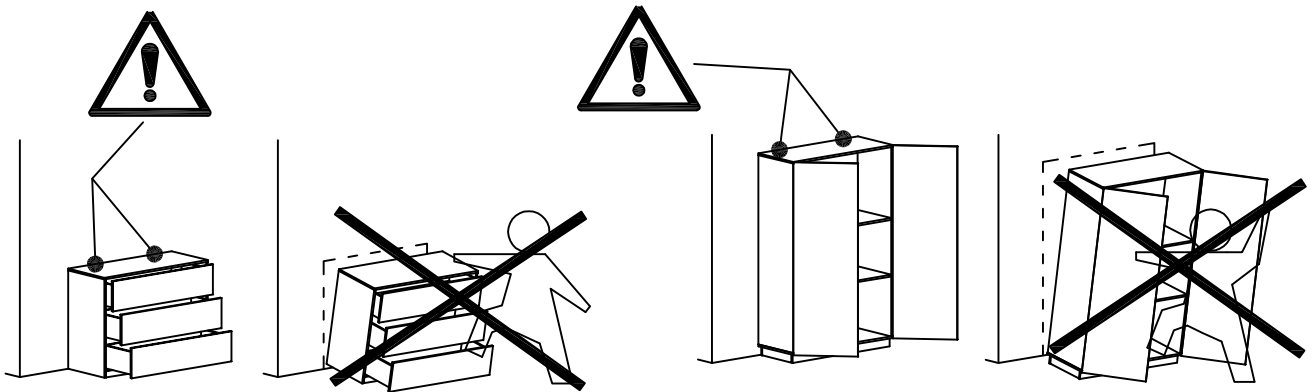


AA = BB

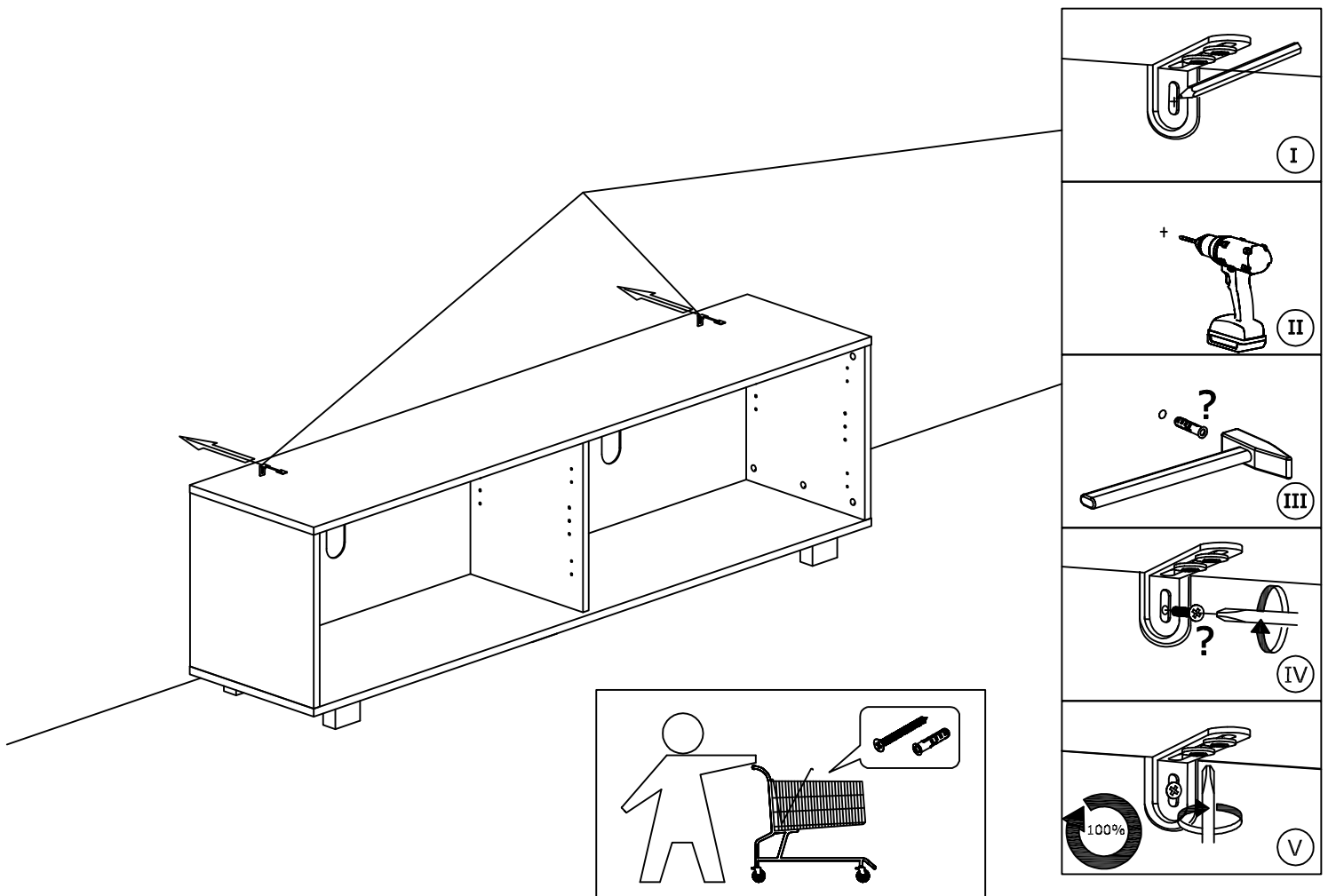


If necessary, adjust the assembly so that the diagonal measurements of the assembly are equal.
Fix the Back Panel (6) in place using 16 x Screws (E) and Plastic Stoppers (Q) and 2 x Screws (F) as shown.

Step 10



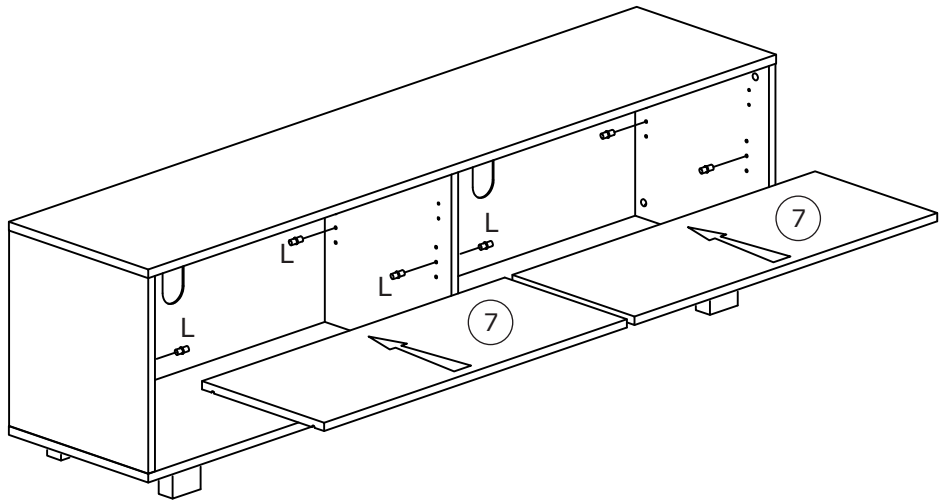
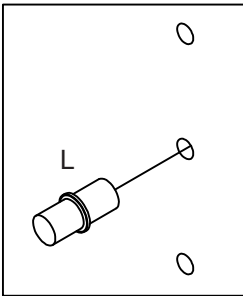
- I. With help, move the Entertainment Unit into position. Mark drilling points on the wall.
- II. If necessary, remove the Entertainment Unit and drill holes with sizes suitable for your wall fixings.
- III. Install wall fixings in the holes.
- IV. Fix the wall brackets to the wall with appropriate wall fixing screws.
- V. Fasten the wall brackets to the underside of the top panel.



Step 11

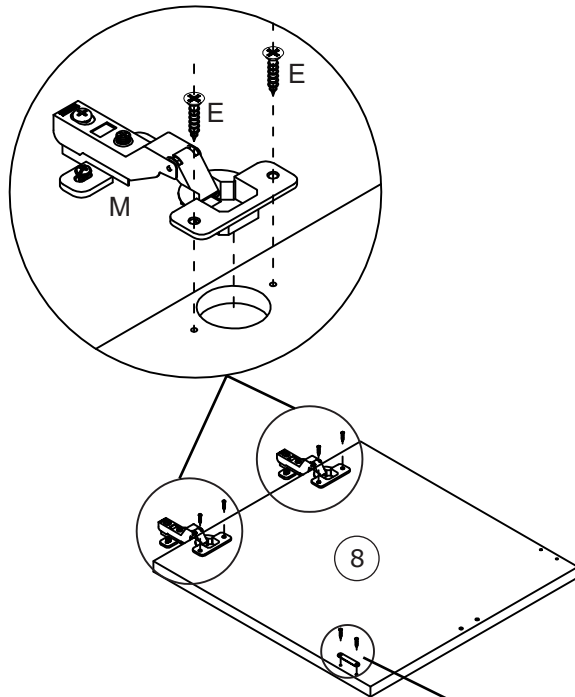
Insert 8 x Shelf Supports (L) into desired locations on the Side and Divider panels. Gently place the 2 x Shelf Panel (7) as shown.

| | |
|-----------------------|--|
| You will need | |
| | |
| 8 x Shelf support (L) | |



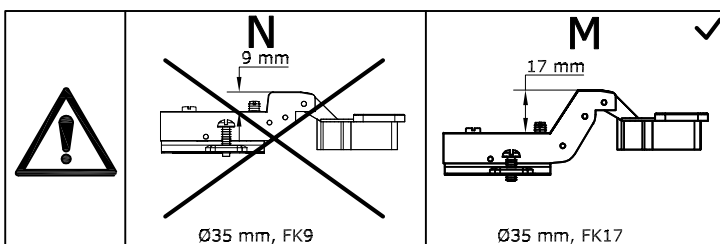
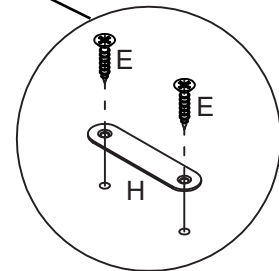
Step 12

| | |
|----------------|---------------------|
| You will need | |
| | |
| 6 x Screws (E) | 1 x Catch Plate (H) |
| | |
| 2 x Hinge (M) | |





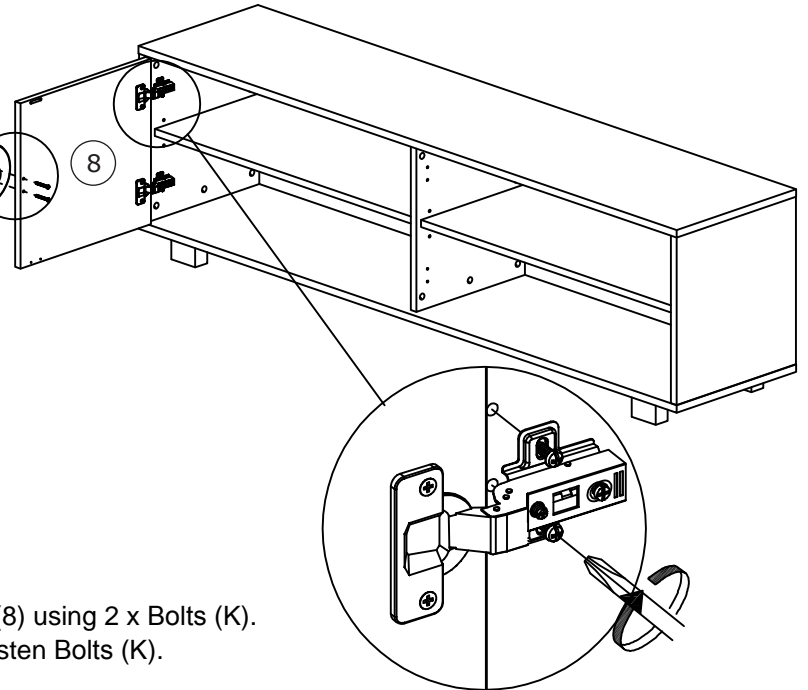
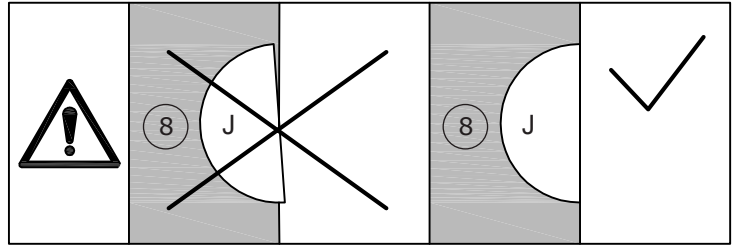
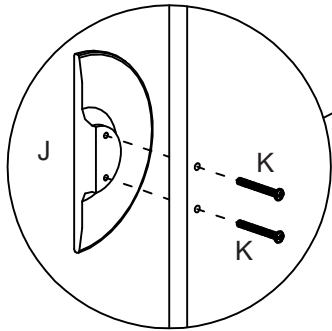
Fix 2 x Hinges (M) to Door Panel (8) using 4 x Screws (E).

Fix 1 x Catch Plate (H) to Door Panel (8) using 2 x Screws (E).




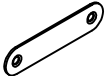
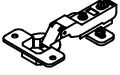
Step 13

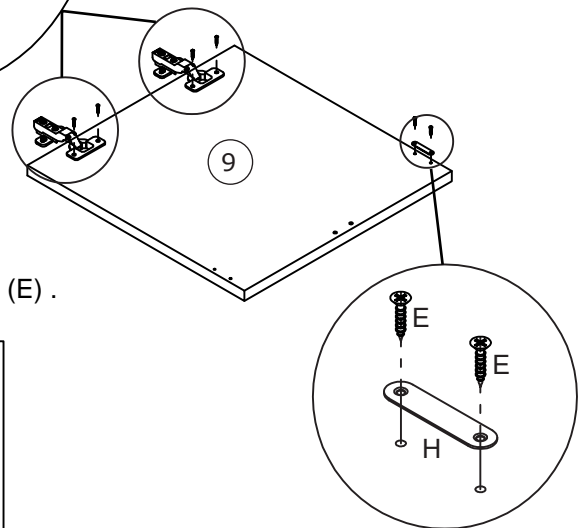
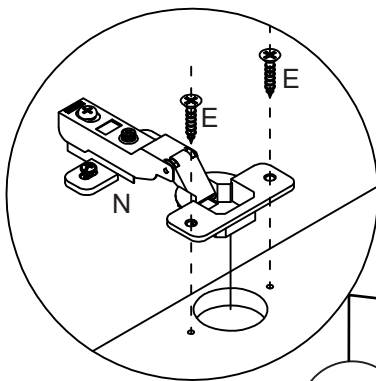
| You will need | |
|---|---|
|  |  |
| 1 x Handle (J) | 2 x Bolts (K) |



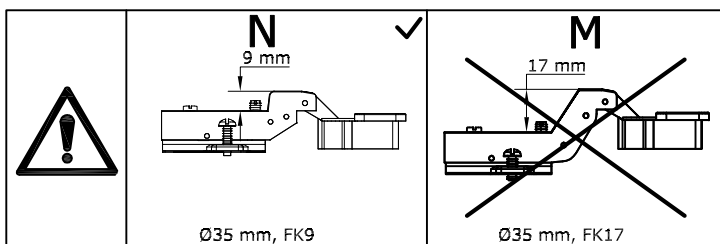
Attach the door to the cabinet as shown.
Loosely attach 1 x Handle (J) to Door Panel (8) using 2 x Bolts (K).
Align Handle (J) to the Door Panel (8) and fasten Bolts (K).

Step 14



| You will need | |
|---|---|
|  |  |
| 6 x Screws (E) | 1 x Catch Plate (H) |
|  | |
| 2 x Hinge (N) | |

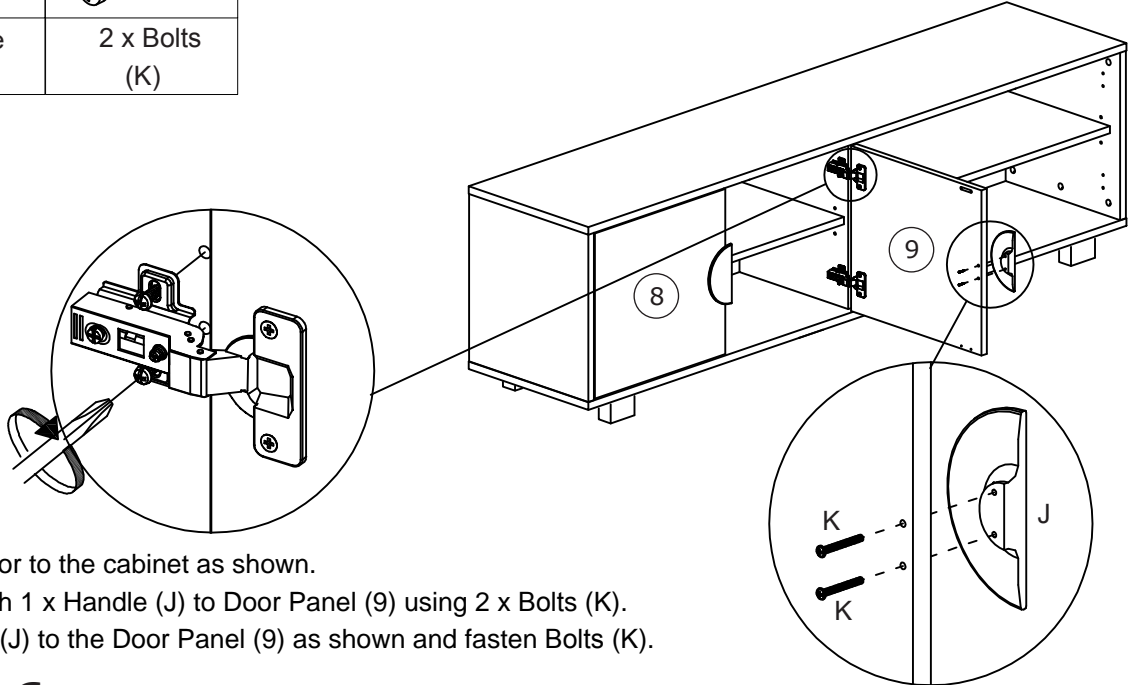
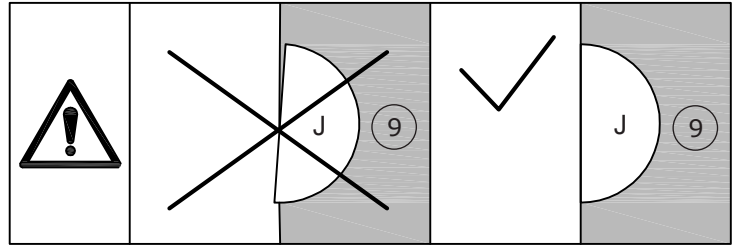


Fix 2 x Hinges (N) to Door Panel (9) using 4 x Screws (E).
Fix 1 x Catch Plate (H) to Door Panel (9) using 2 x Screws (E).




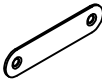
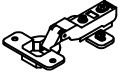
Step 15

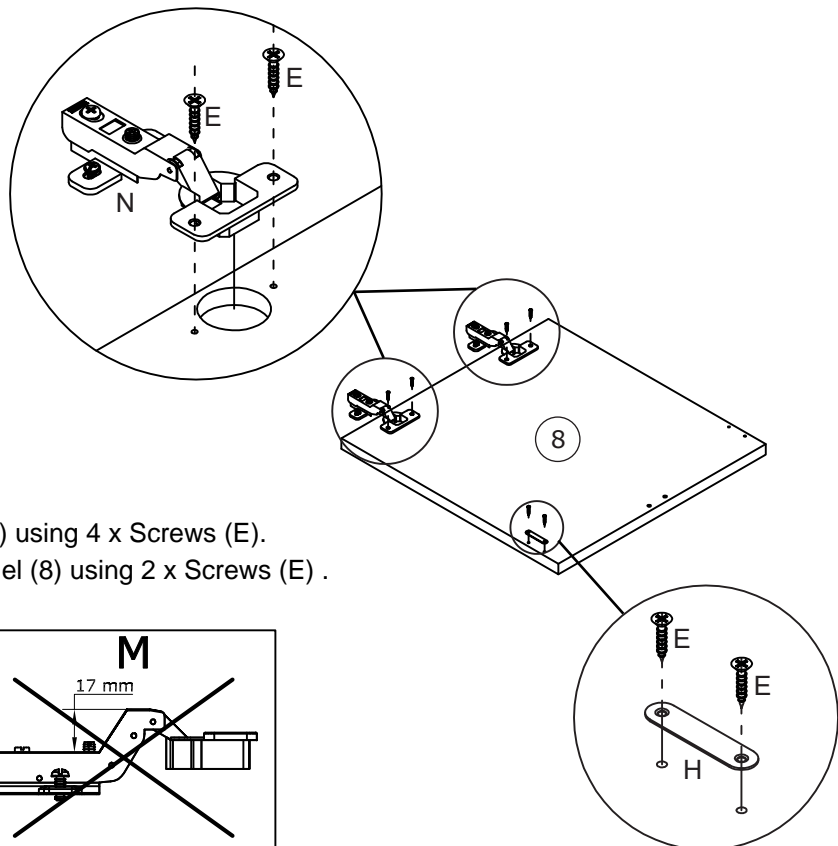
| You will need | |
|---|---|
|  |  |
| 1 x Handle (J) | 2 x Bolts (K) |



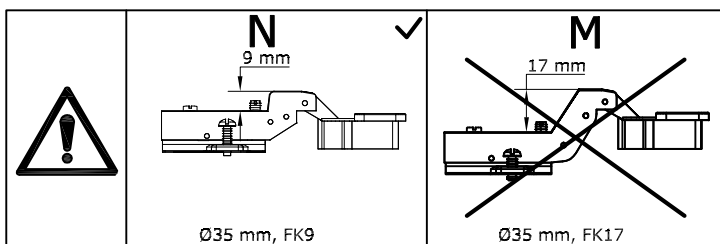
Attach the door to the cabinet as shown.
Loosely attach 1 x Handle (J) to Door Panel (9) using 2 x Bolts (K).
Align Handle (J) to the Door Panel (9) as shown and fasten Bolts (K).

Step 16



| You will need | |
|---|---|
|  |  |
| 6 x Screws (E) | 1 x Catch Plate (H) |
|  | |
| 2 x Hinges (N) | |

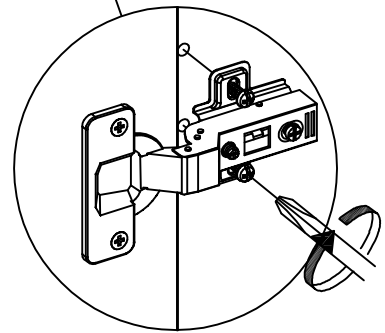
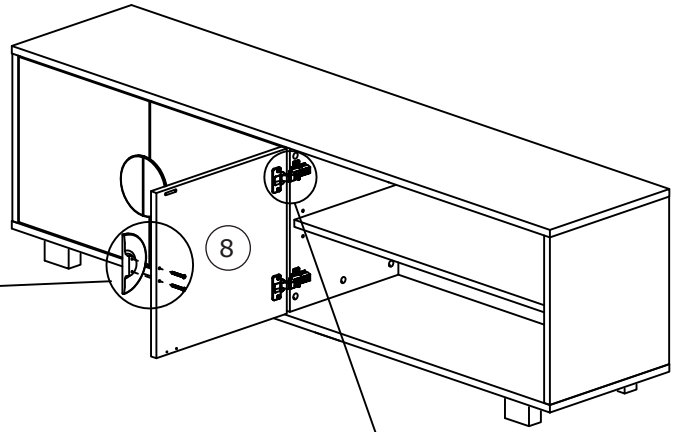
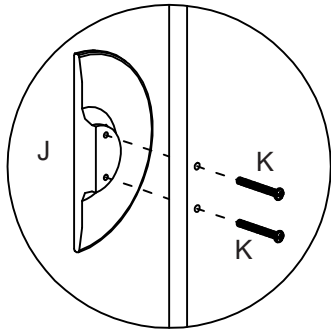
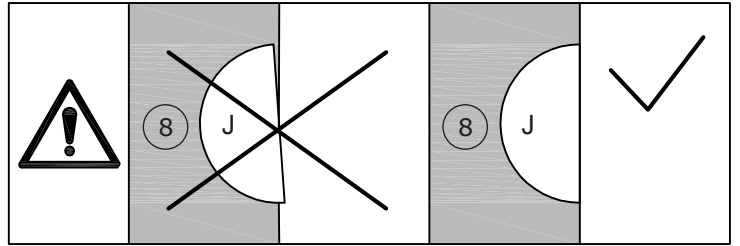


Fix 2 x Hinges (N) to Door Panel (9) using 4 x Screws (E).
Fix 1 x Catch Plate (H) to Door Panel (8) using 2 x Screws (E).




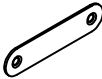
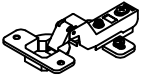
Step 17

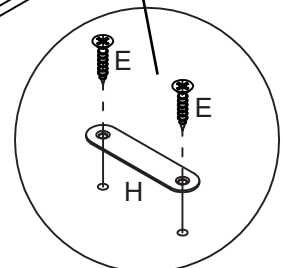
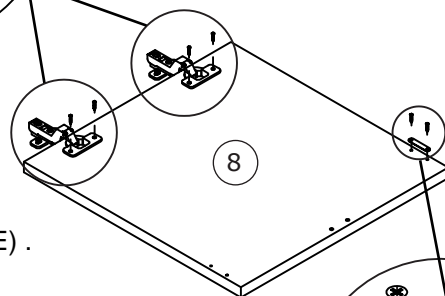
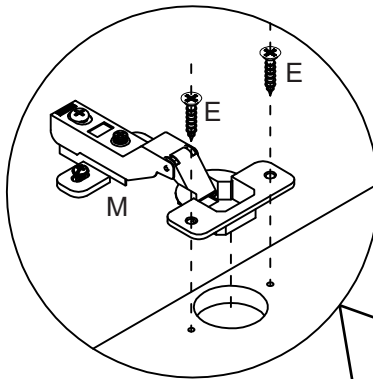
| You will need | |
|---|---|
|  |  |
| 1 x Handle (J) | 2 x Bolts (K) |



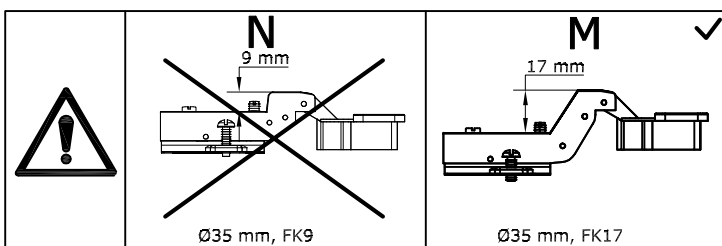
Attach the door to the cabinet as shown.
Loosely attach 1 x Handle (J) to Door Panel (8) using 2 x Bolts (K).
Align Handle (J) to the Door Panel (8) and fasten Bolts (K).

Step 18



| You will need | |
|---|---|
|  |  |
| 6 x Screws (E) | 1 x Catch Plate (H) |
|  | |
| 2 x Hinge (M) | |

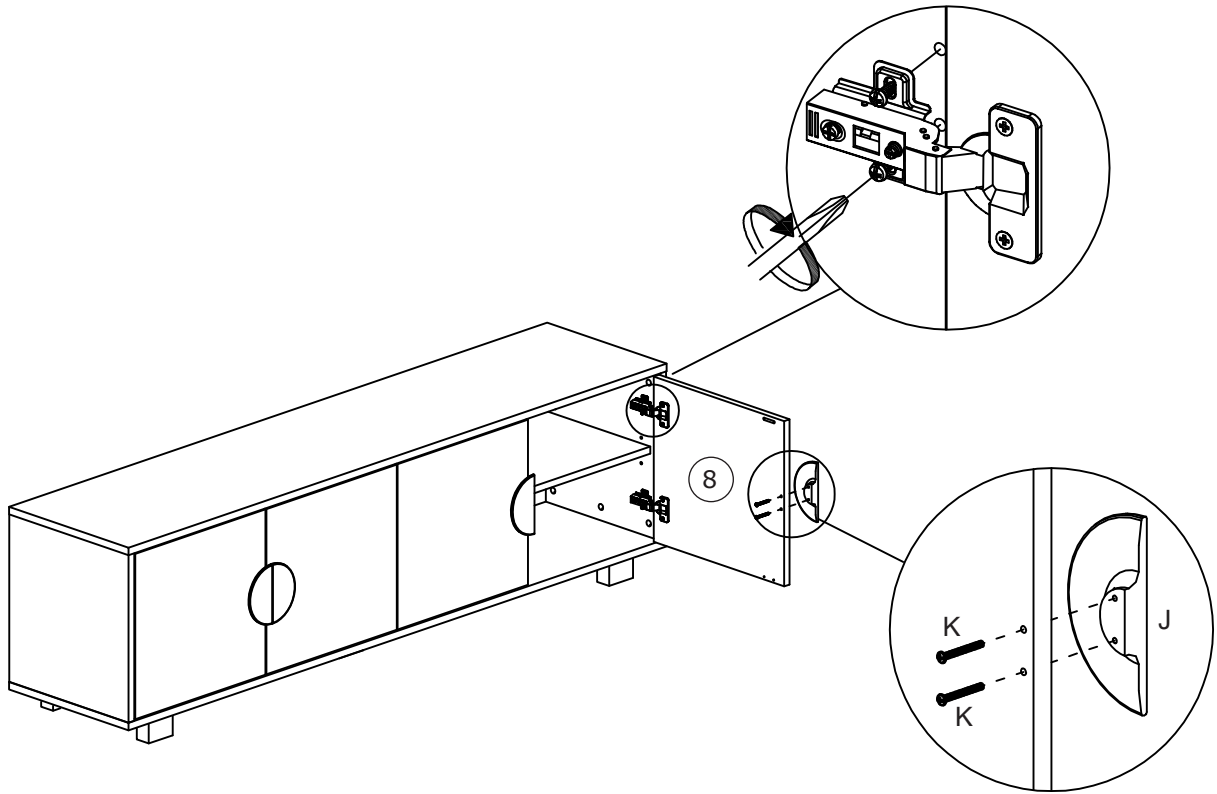
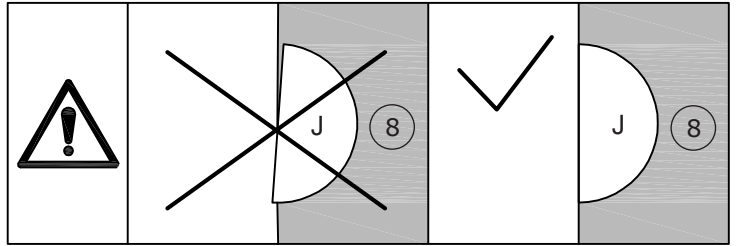


Fix 2 x Hinges (M) to Door Panel (9) using 4 x Screws (E).
Fix 1 x Catch Plate (H) to Door Panel (8) using 2 x Screws (E).



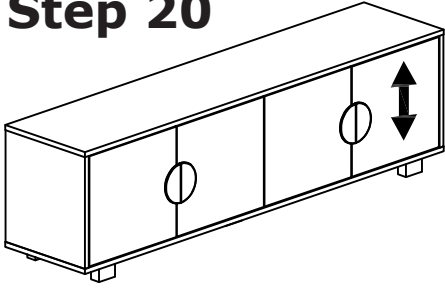
Step 19

| You will need | |
|---|---|
|  |  |
| 1 x Handle (J) | 2 x Bolts (K) |



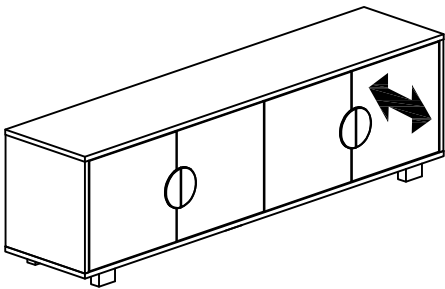
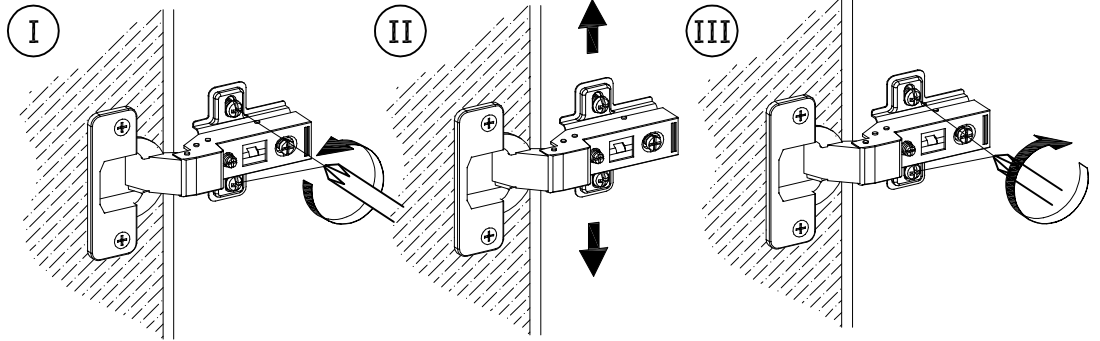
Attach the door to the cabinet as shown.
Loosely attach 1 x Handle (J) to Door Panel (8) using 2 x Bolts (K).
Align Handle (J) to the Door Panel (8) and fasten Bolts (K).

Step 20

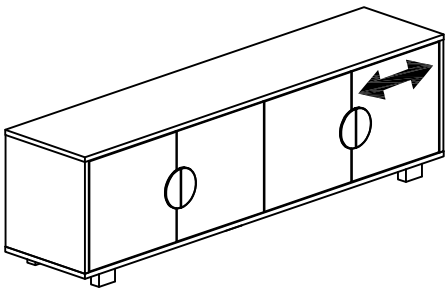
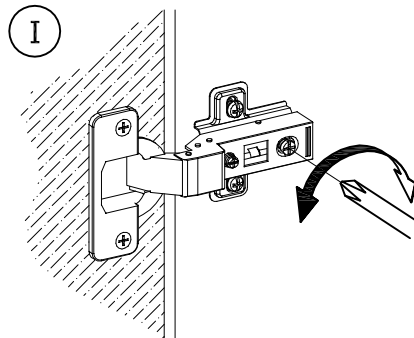


If adjustment is necessary, please follow the steps below:

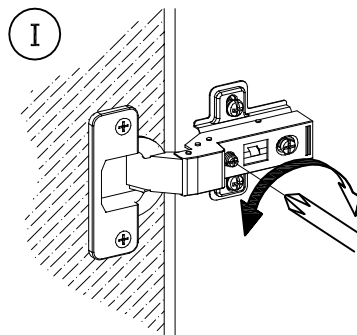
To move doors up or down:
Loosen the screws on the hinge plate and move the doors to suit.
Once doors are aligned, re-tighten the screws.



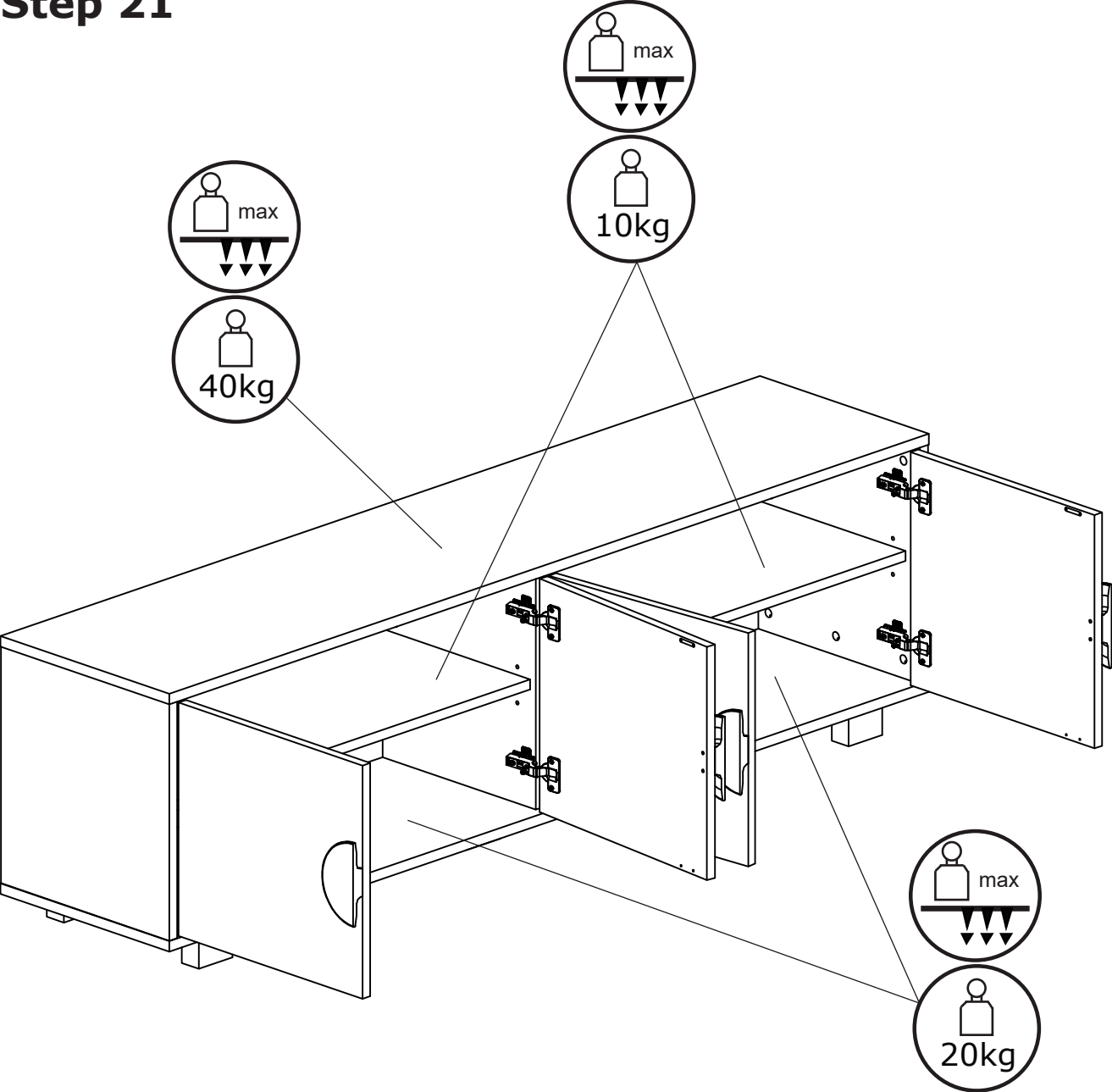
To move doors in or out:
Loosen or tighten the screws on the hinge plate, as shown.



To move doors left or right:
Loosen or tighten the screws to suit, as shown.

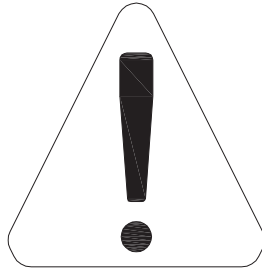


Step 21



Job Complete !

In the interest of our environment Please dispose of all packaging thoughtfully.



THIS PRODUCT IS FINISHED WITH LACQUER

Avoid placing hot items directly onto the surface unless using a thick insulation material such as placemats or coasters. Heat may lead to discolouration or other damage to the surface of the product.

Use a soft cloth that has been dampened in water to clean the surface of this product. Do not use abrasive cleaners, furniture wax or polish on the surface of this product, as it may damage the surface.

CAUTION: FREQUENT EXPOSURE TO DIRECT SUNLIGHT OR SIMILAR SOURCES MAY CAUSE THE SURFACE TO DISCOLOUR OR FADE.