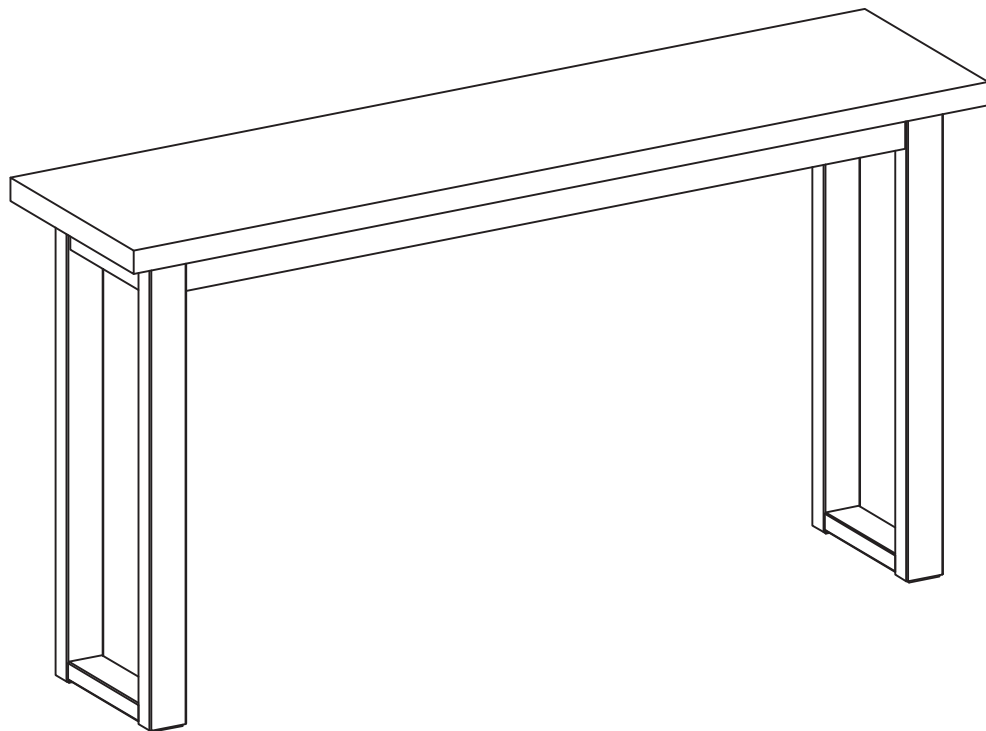


ASSEMBLY INSTRUCTIONS

**Oak Ski-Leg 140cm Console Table - White Oak
Oak and Black Ski-Leg 140cm Console Table
- White Oak / Black Leg**



Keep these instructions for future reference

Assemble the furniture on a soft level surface to avoid damaging the furniture or your floor.

Parts of the assembly will be easier with 2 people.

We recommend furniture be assembled near where they will be placed, to avoid moving the product unnecessarily once assembled.

If there is a need to move the furniture, please remove all loose items and have extra hands to help lift the furniture to the desired location. Dragging the furniture will damage both the furniture and the floor.

Regularly check and re-tighten (if necessary) all bolts on furniture that you have assembled yourself.

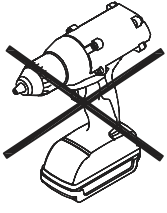
Care and Maintenance of your Furniture

Always use coasters or placemats to protect the table surface, remove any liquid spills immediately using a clean cloth or kitchen roll sheet & mild detergent.

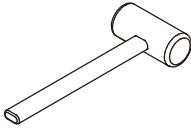
Do not stand on the Furniture

Tools Required

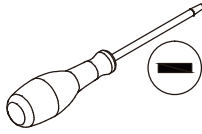
Time Required



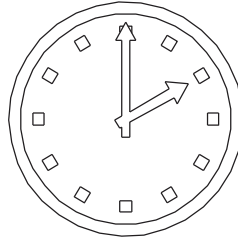
DO NOT USE



Mallet



Flat Head Screwdriver



30 min

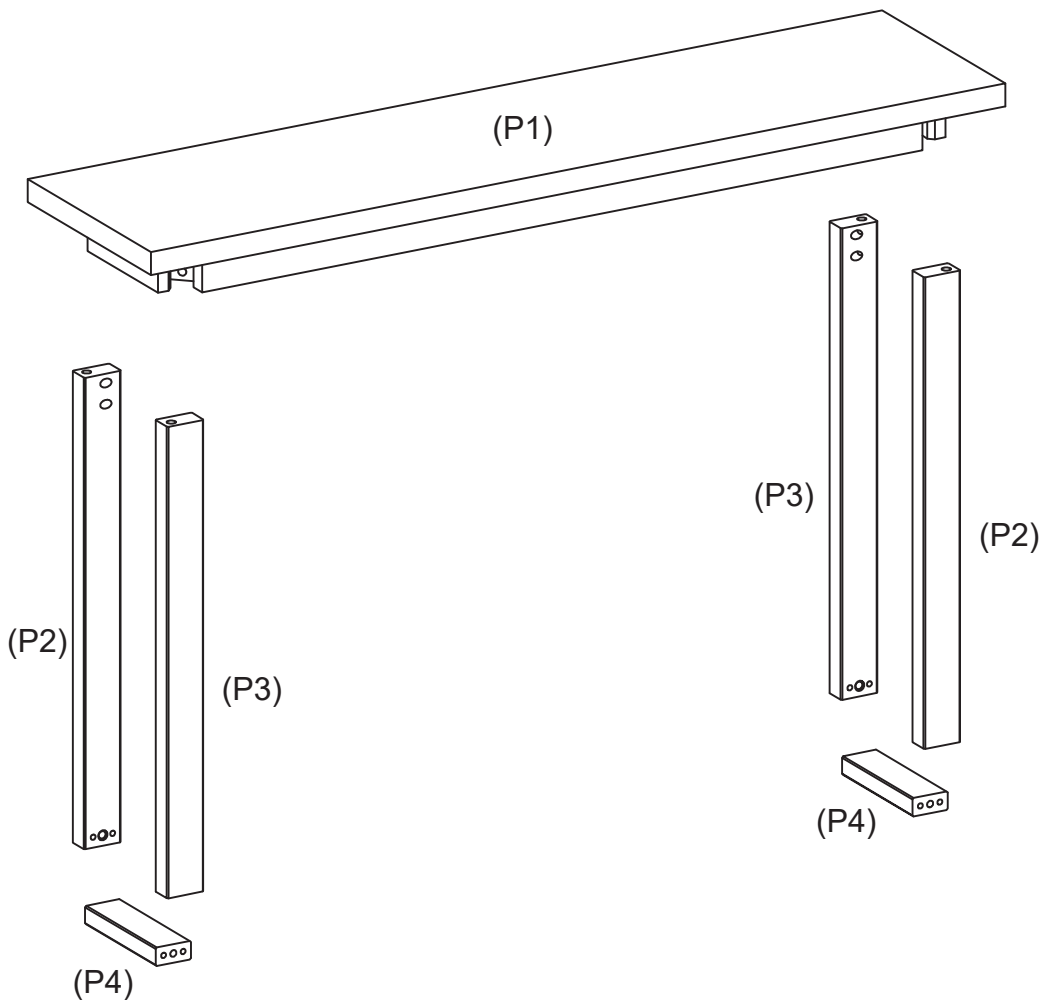
Parts List

Table Top (P1);
Leg Post (P2) x 2;
Leg Post (P3) x 2;
Stretcher (P4) x 2.

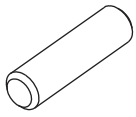
People Required



TWO PERSON RECOMMENDED

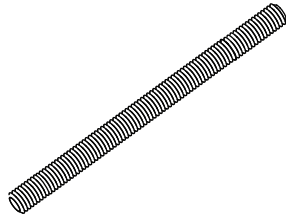


Hardware/Fittings



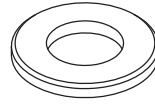
Ø 8 x 30 mm
Wood Dowel x 8

①



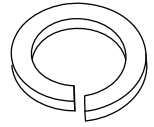
M8 x 105 mm
Long Threaded Rod x 8

②



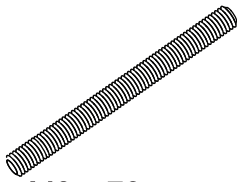
Ø8/Ø19 x 2 mm
Flat Washer x 12

③



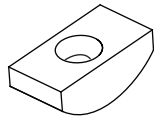
M8 mm
Spring Washer x 12

④



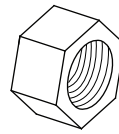
M8 x 70 mm
Short Threaded Rod x 4

⑤



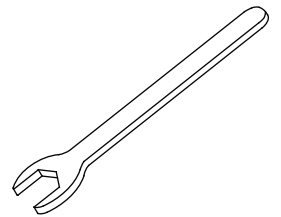
Half Moon Washers x 4

⑥



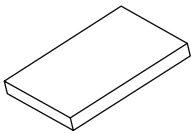
M8 mm Nut x 12

⑦



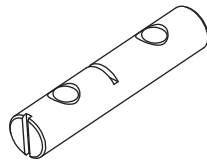
Spanner x 1

⑧



50x30x3 mm
Felt Foot x 4

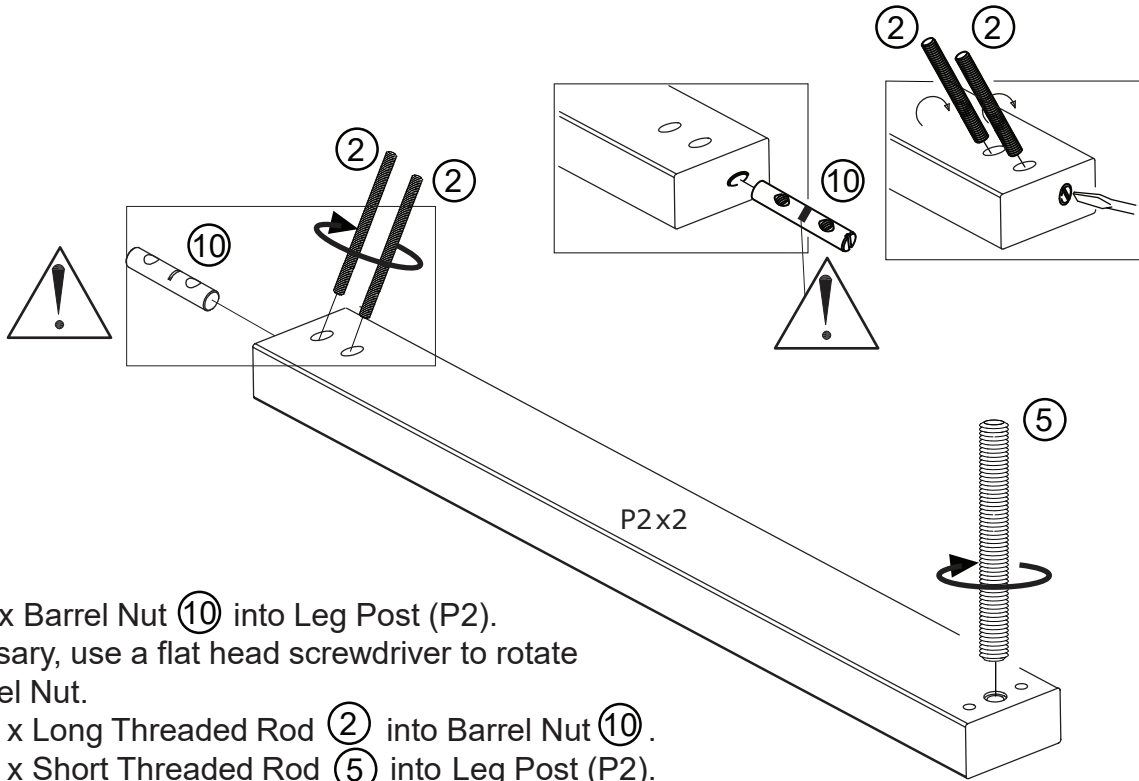
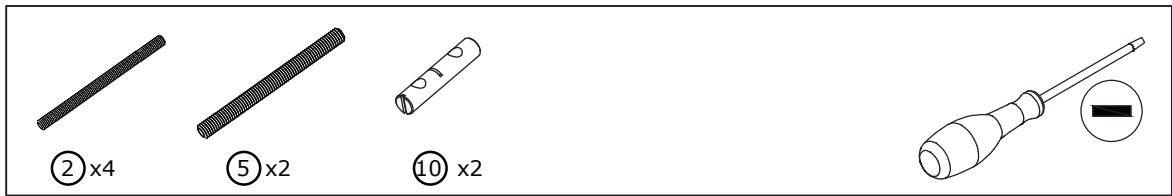
⑨



Ø12x60 mm
Barrel Nut x 4

⑩

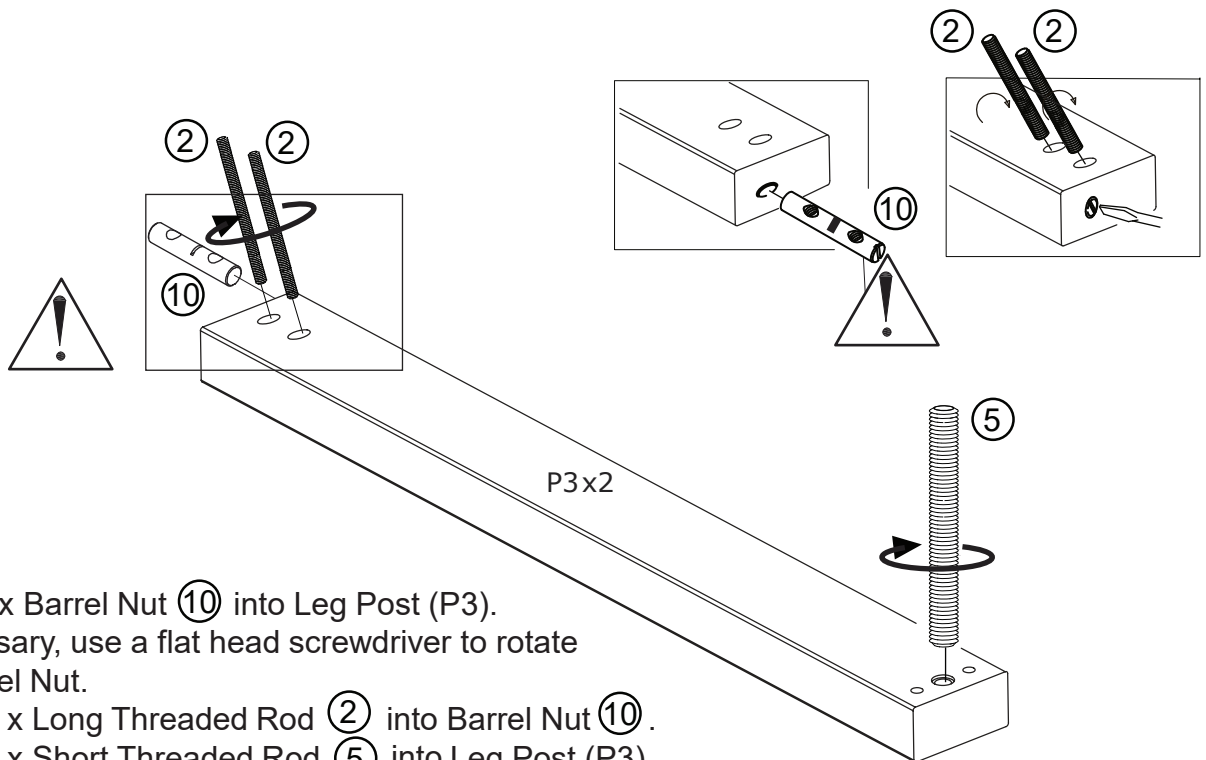
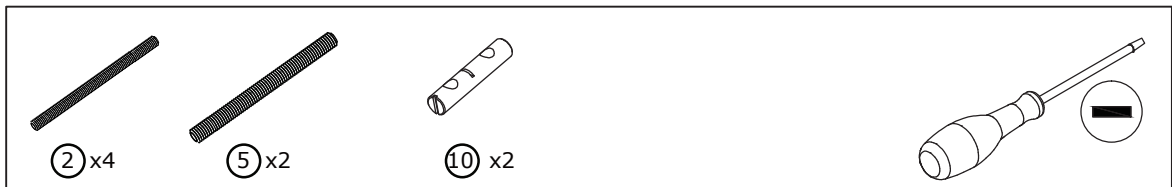
1



Insert 1 x Barrel Nut (10) into Leg Post (P2).
If necessary, use a flat head screwdriver to rotate the Barrel Nut.

Screw 2 x Long Threaded Rod (2) into Barrel Nut (10).
Screw 1 x Short Threaded Rod (5) into Leg Post (P2).
Repeat with the remaining Leg Post (P2).

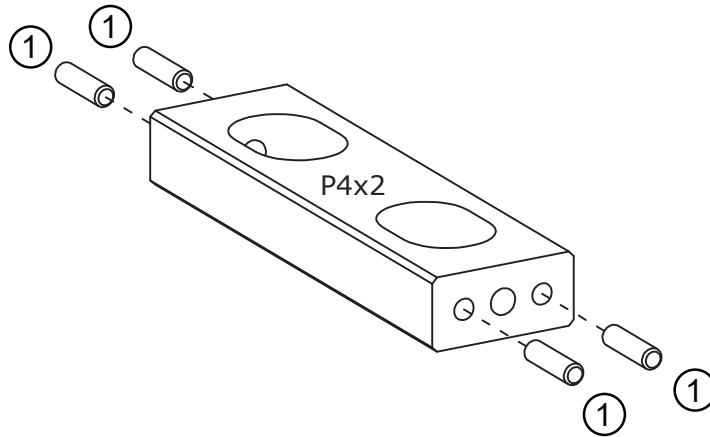
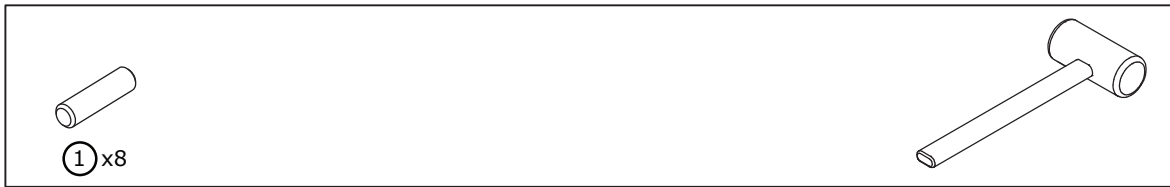
2



Insert 1 x Barrel Nut (10) into Leg Post (P3).
If necessary, use a flat head screwdriver to rotate the Barrel Nut.

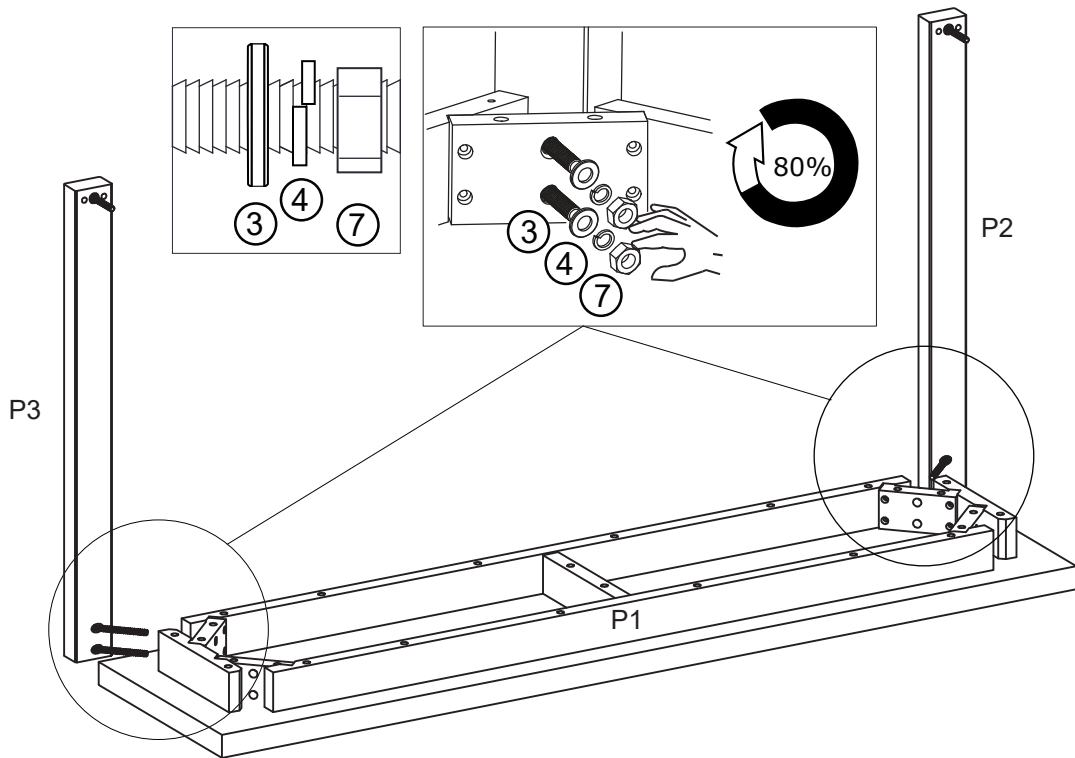
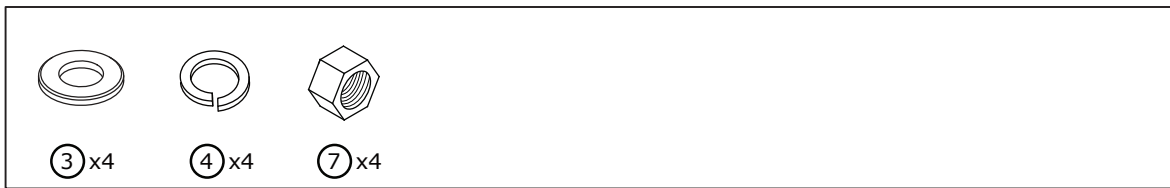
Screw 2 x Long Threaded Rod (2) into Barrel Nut (10).
Screw 1 x Short Threaded Rod (5) into Leg Post (P3).
Repeat with the remaining Leg Post (P3).

3



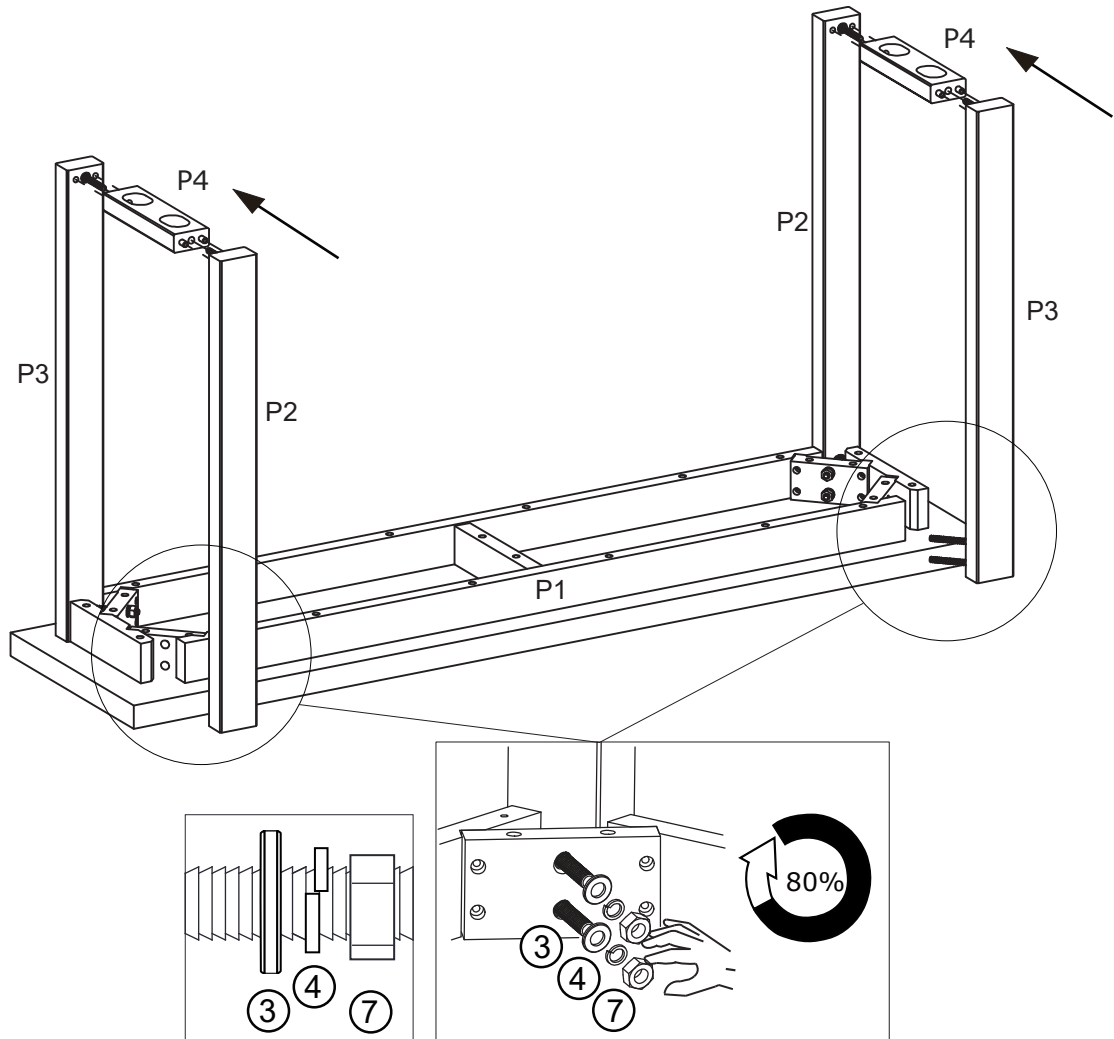
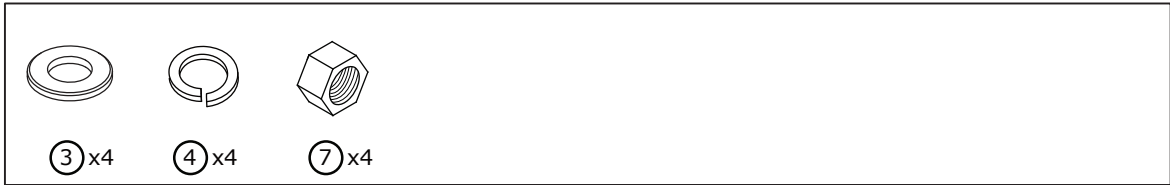
Insert 4 x Wood Dowel ① into Stretcher (P4).
 If necessary, gently tap the wood dowels with a mallet.
 Repeat with the remaining Stretcher (P4).

4



Place the Table Top (P1) with its underside facing up on a soft covered surface.
 Position 1 x Leg Post (P3) onto the corner of Table Top (P1) as shown.
 Loosely attach Leg Post (P3) to Table Top (P1) with 2 x Flat Washers ③,
 2 x Spring Washers ④ and 2 x Nuts ⑦.
 Repeat with the remaining Leg Post (P2) onto the corner of Table Top (P1) as shown.

5



Fit Stretcher (P4) onto Leg Post (P3) as shown.

Position Leg Post (P2) onto the other end of Stretcher (P4) and the corner of Table Top (P1) as shown.

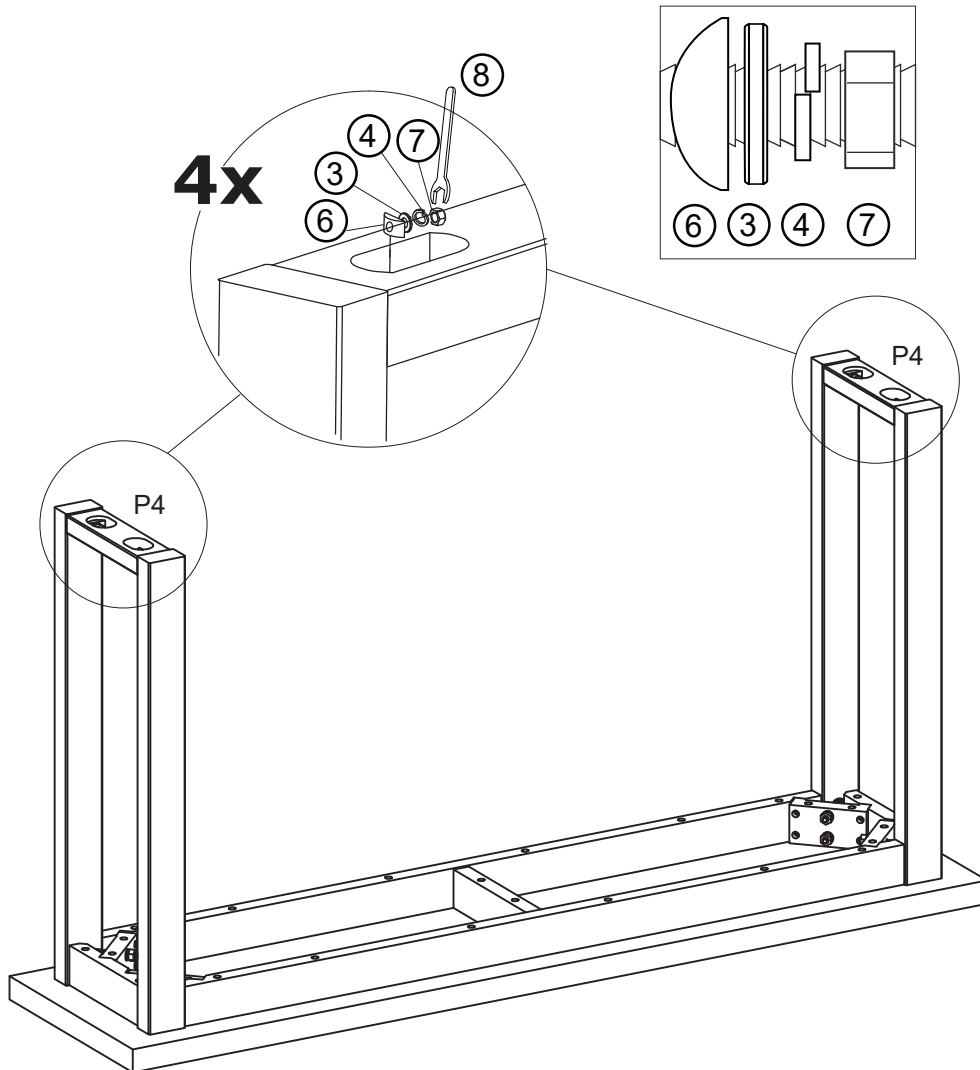
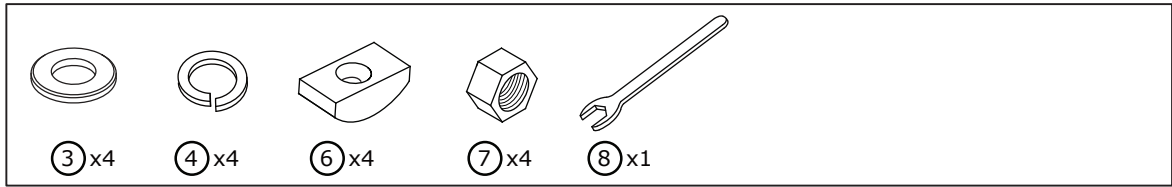
Loosely attach Leg Post (P2) to Table Top (P1) with 2 x Flat Washers (3), 2 x Spring Washers (4) and 2 x Nuts (7).

Fit Stretcher (P4) onto Leg Post (P2) as shown.

Position Leg Post (P3) onto the other end of Stretcher (P4) and the corner of Table Top (P1) as shown.

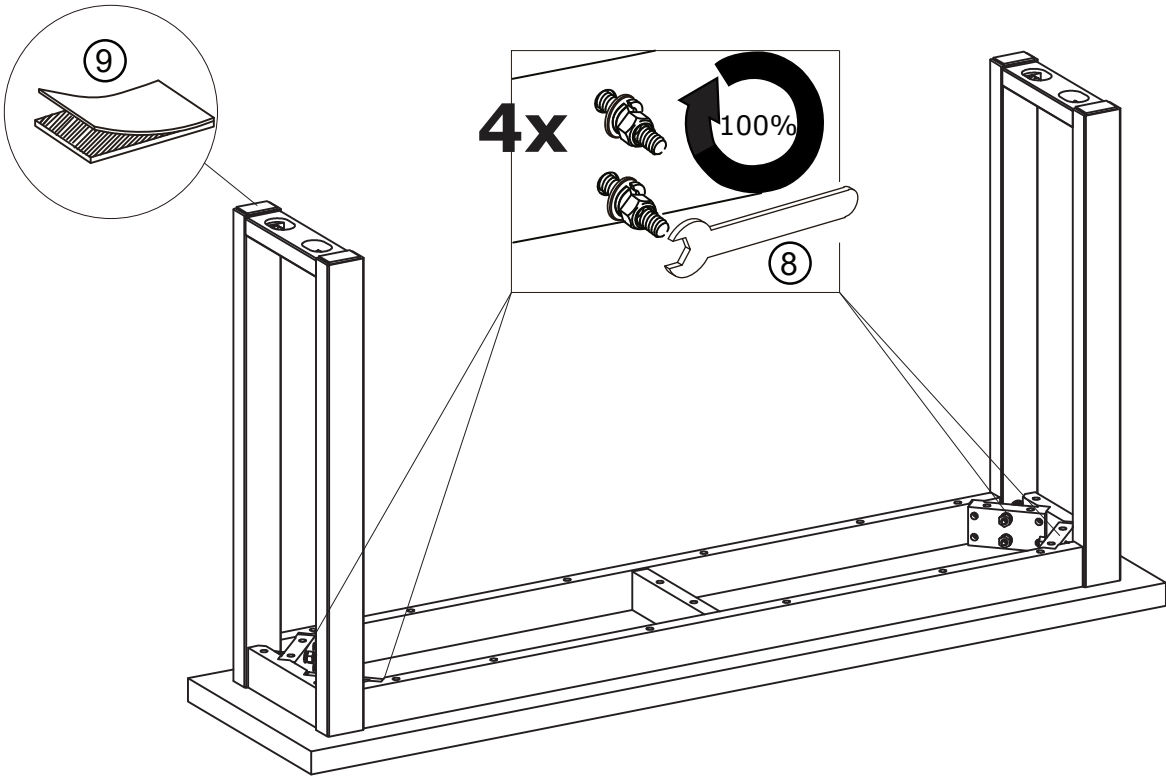
Loosely attach Leg Post (P3) to Table Top (P1) with 2 x Flat Washers (3), 2 x Spring Washers (4) and 2 x Nuts (7).

6



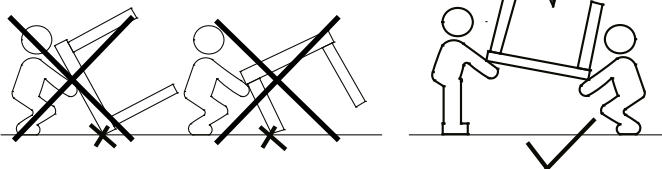
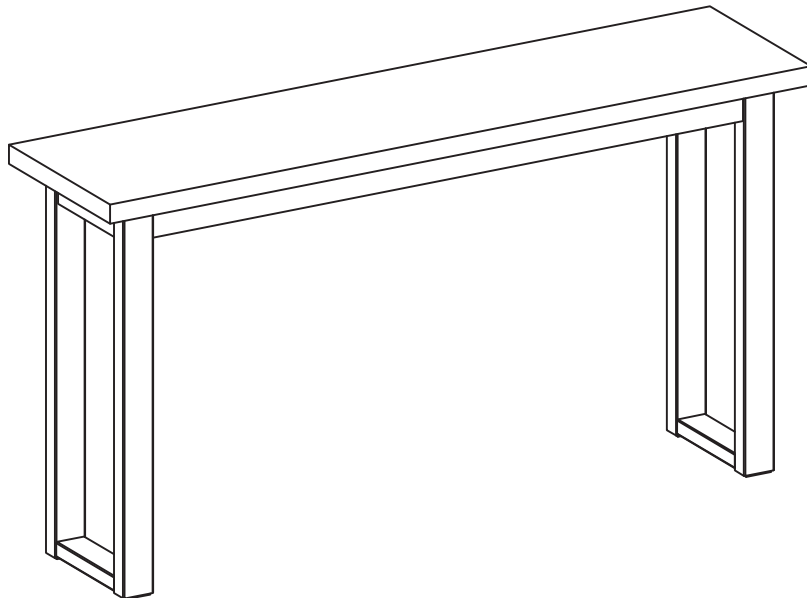
Attach Stretcher (P4) onto Leg Posts (P2) (P3) with 2 x half moon washers (⑥) , 2 x Flat Washers (③) , 2 x Spring Washers (④) and 2 x Nuts (⑦) on each leg frame. Fasten with Spanner (⑧) .

7



Fasten all Nuts ⑦ with Spanner ⑧.
Paste 4 x Felt Feet ⑨ onto Leg Posts (P2)&(P3) as shown.

8



With help, carefully turn the table over.
Assembly is complete.

Please dispose of all packing thoughtfully.