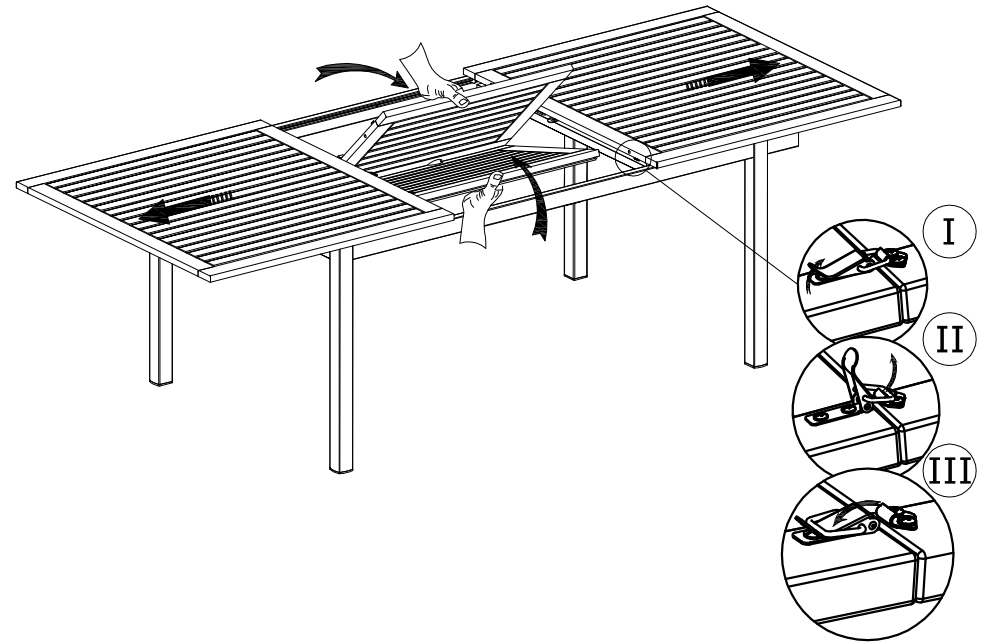
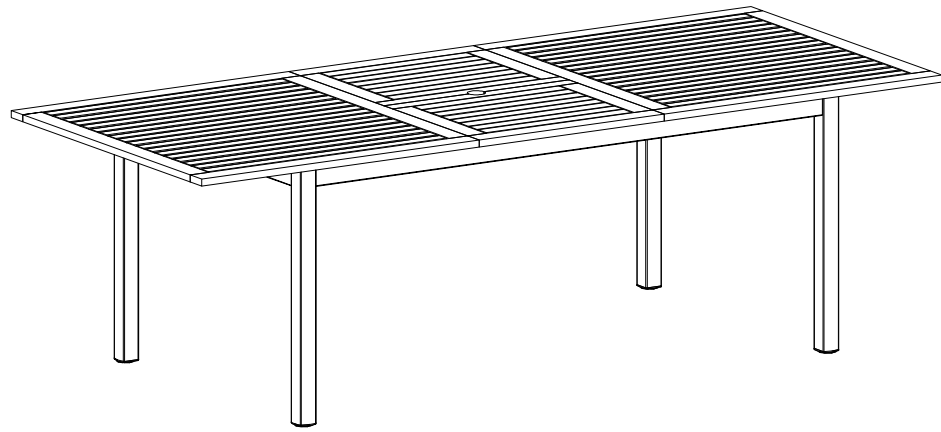


Step 1

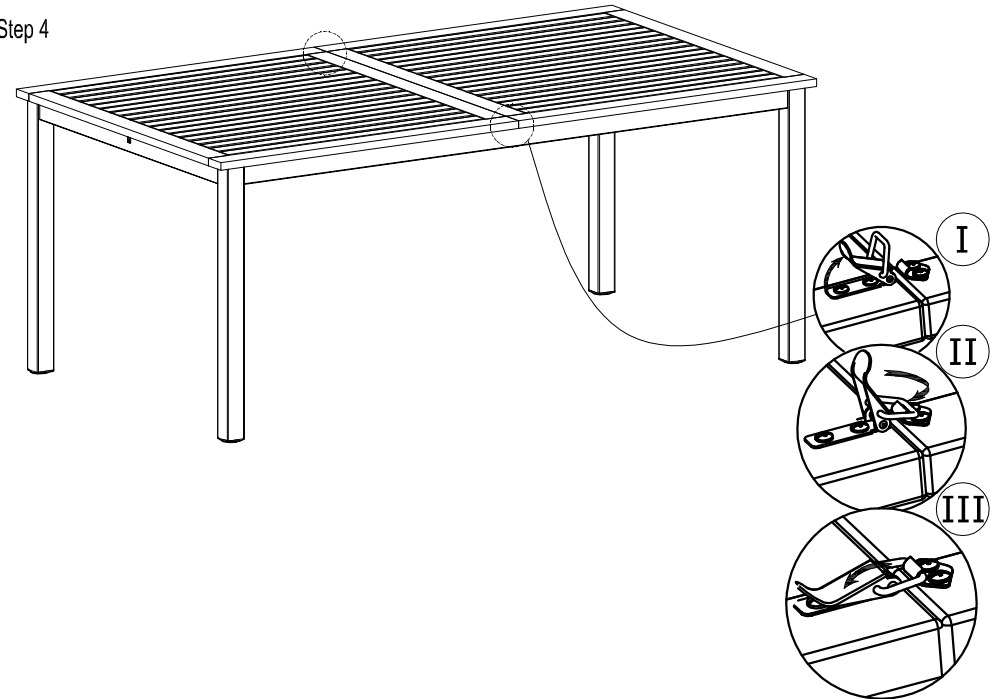
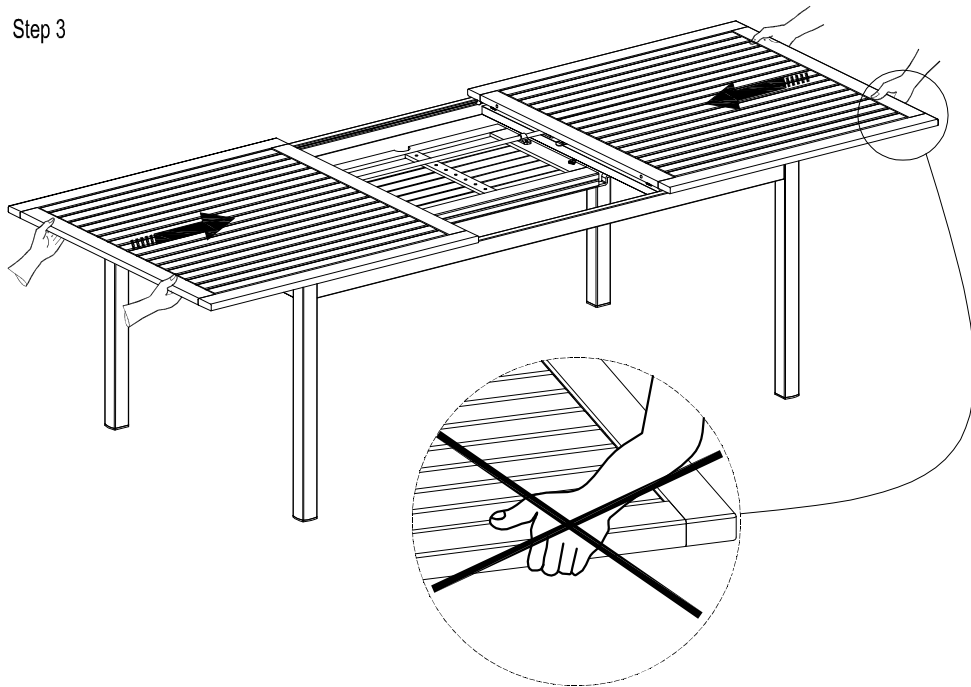
USER MANUAL

Step 2

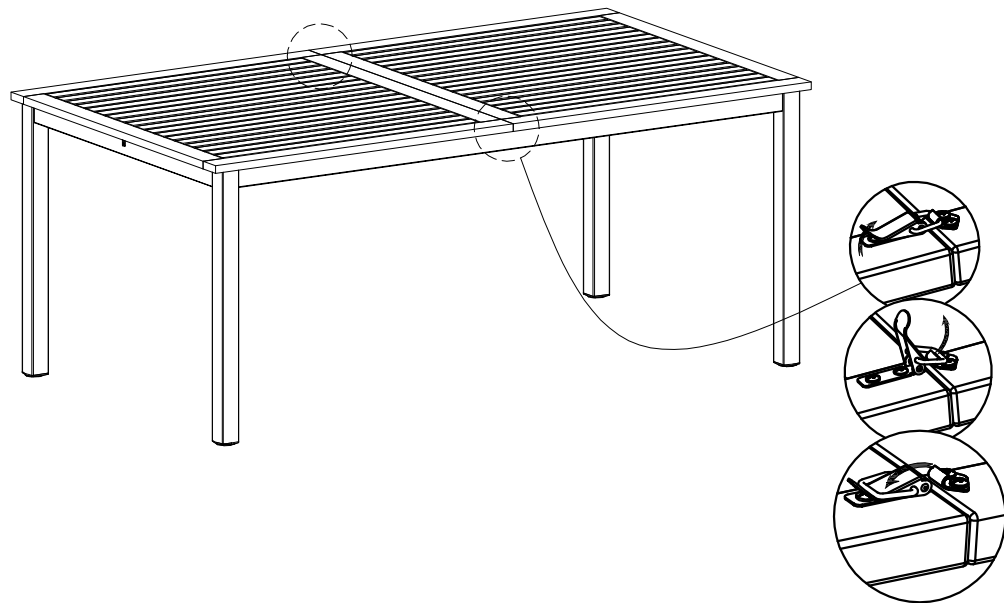


Step 3

Step 4

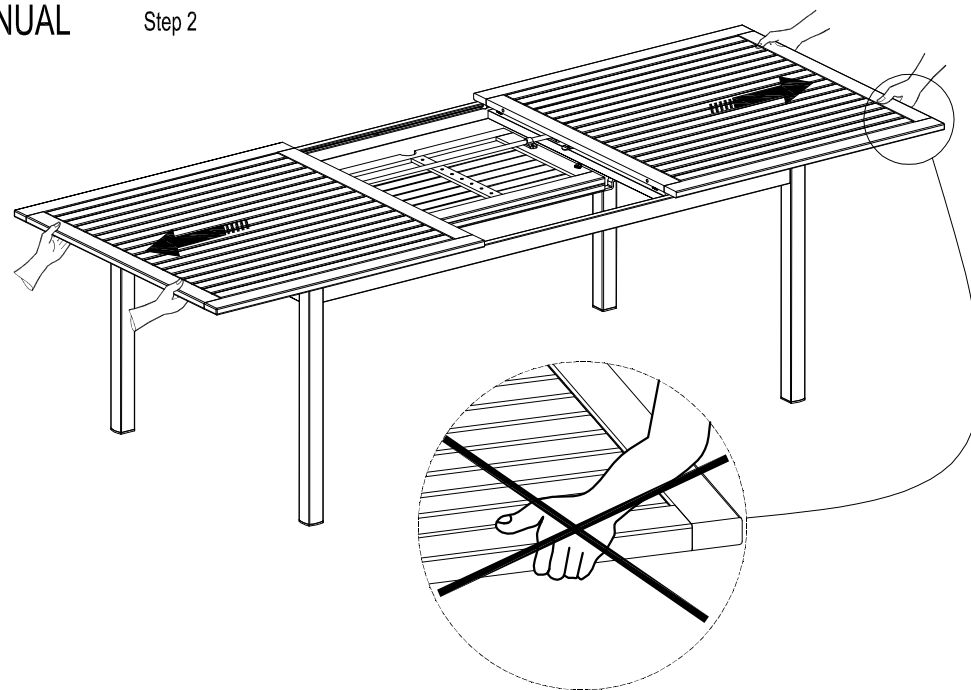


Step 1

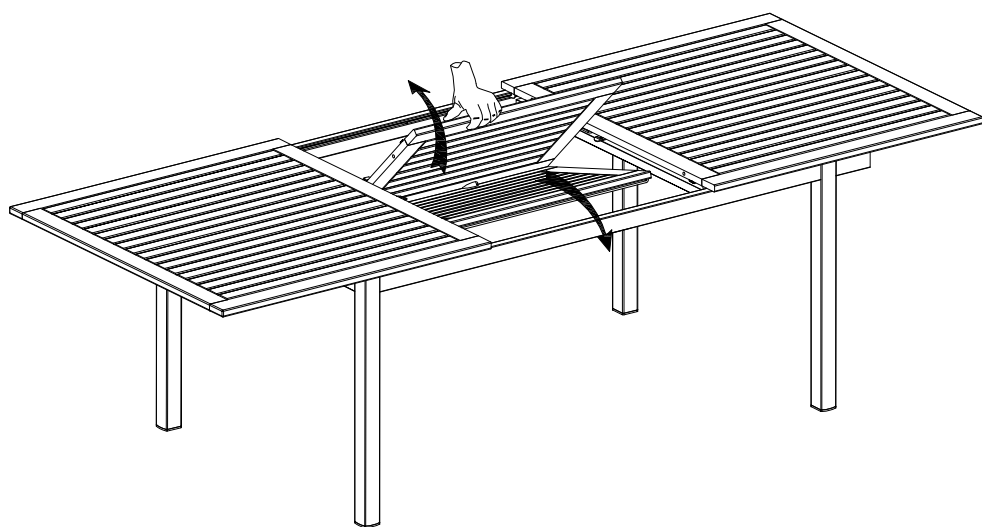


USER MANUAL

Step 2



Step 3



Step 4

