



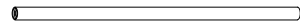
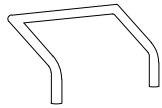


**PART LIST**

-  A. x1
-  B. x2
-  C. x1
-  D. x2

 E. x4


 F. x8

 G. x1

 H. x2

 I. x2

**HARDWARE LIST**

 ① x10

 ② x1

 ③ x8

"Read these instructions and follow steps carefully to ensure you assemble the product correctly and avoid damages. Check that all parts and hardware have been provided before assembling the product. Place all contents on a clean, soft-flat surface to avoid scratching the product."

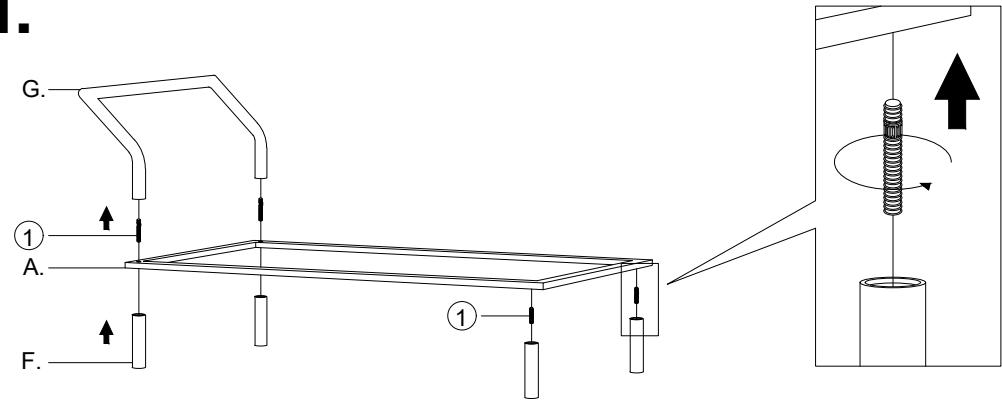
**⚠ "CAUTION:**

Make sure fully tighten all hardware while every step.  
To prevent damage to threads, do not use a power tool.  
Use two people to lift and turn the product when assembling.  
Keep all hardware and small parts away from children.  
Do not stand on cart."

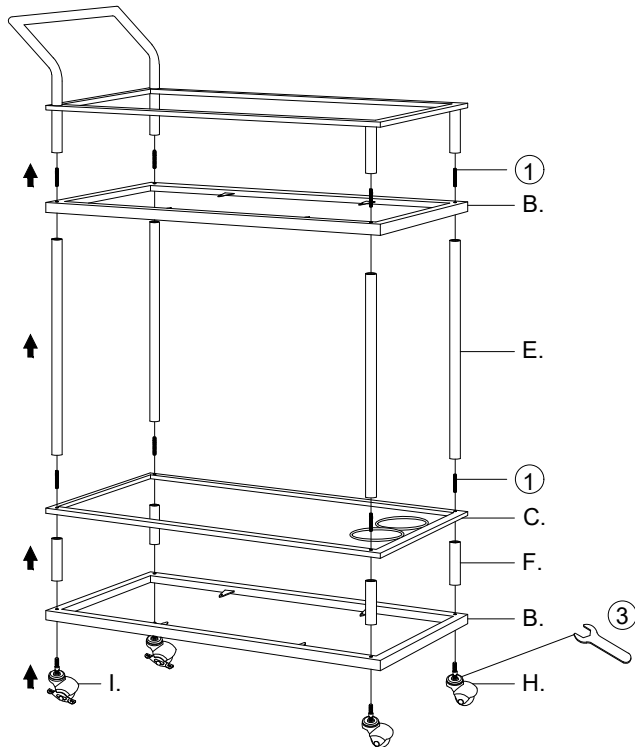


**2 PERSON RECOMMENDED**

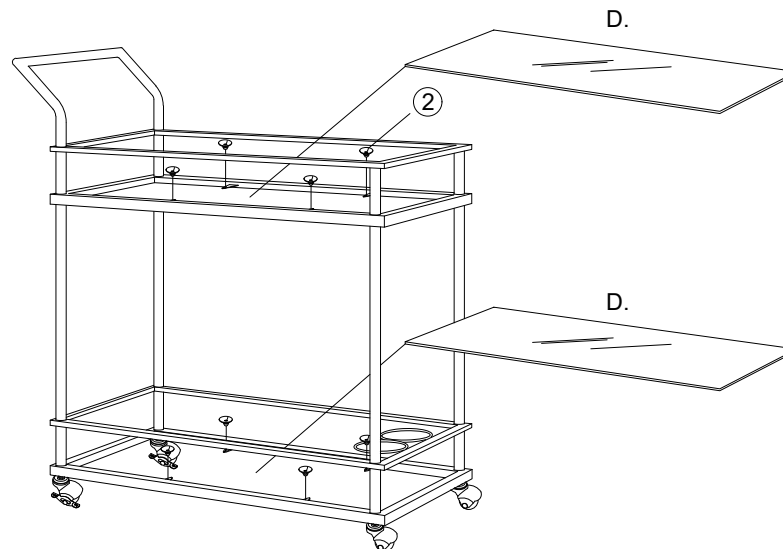
**1.**



**2.**



**3.**



**4.**

