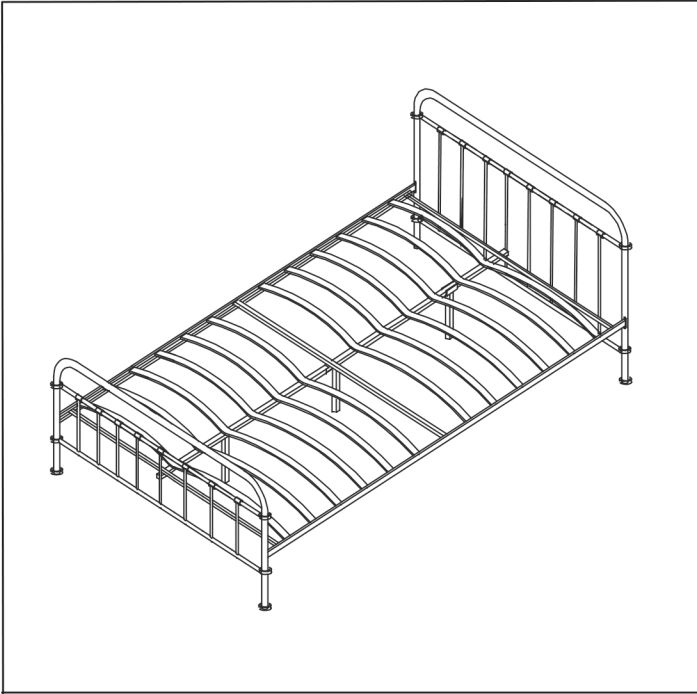








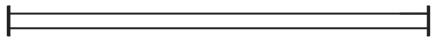
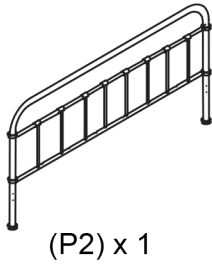
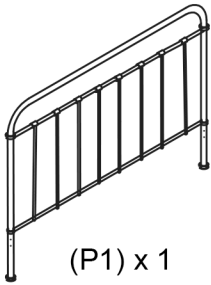


ASSEMBLY INSTRUCTIONS

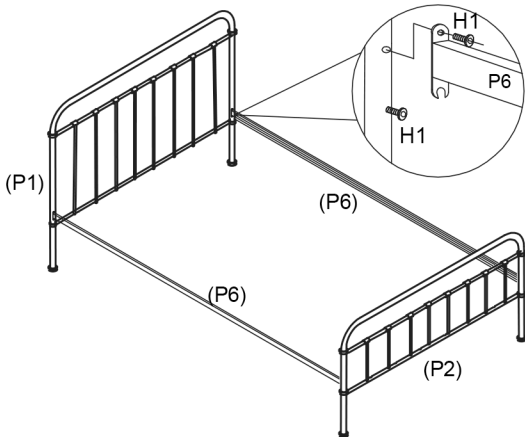


PART LIST

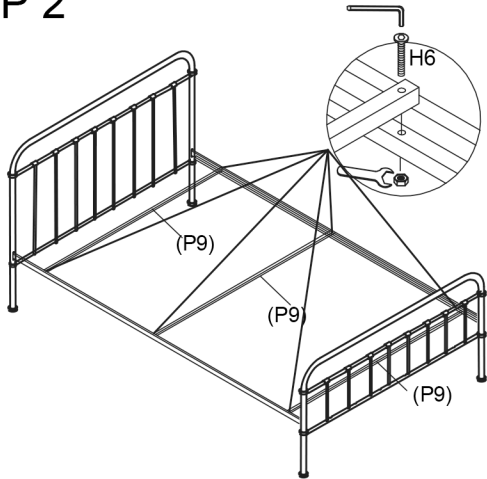
- | | |
|--|---|
| [H1] M6*20mm
 x 8 | [H5] M6*55mm
 x 3 |
| [H2] M6*35mm
 x 5 | [H6] M6*50mm
 x 6 |
| [H3] M6 Hex Nuts
 x 14 |  x 1 |
| [H4] Flat washers
 x 10 |  x 1 |



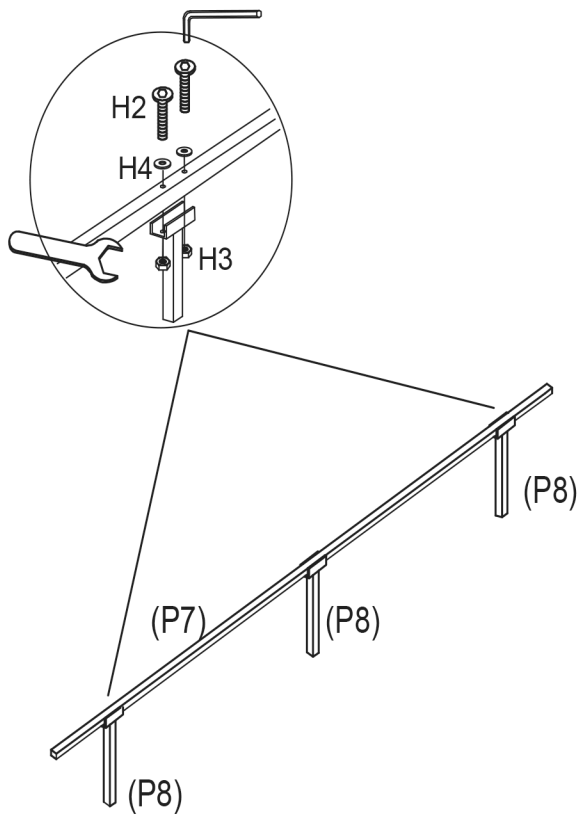
STEP 1



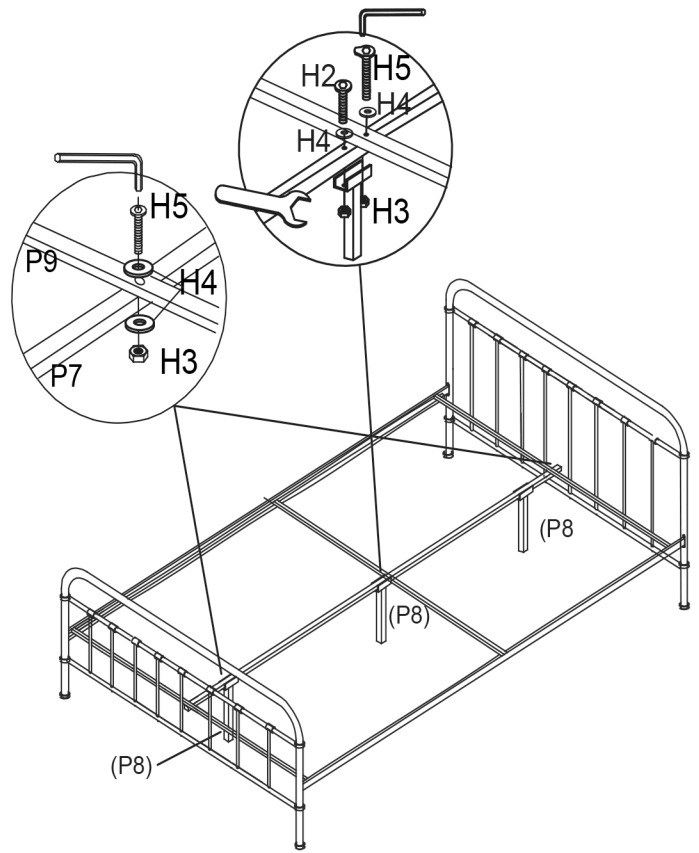
STEP 2



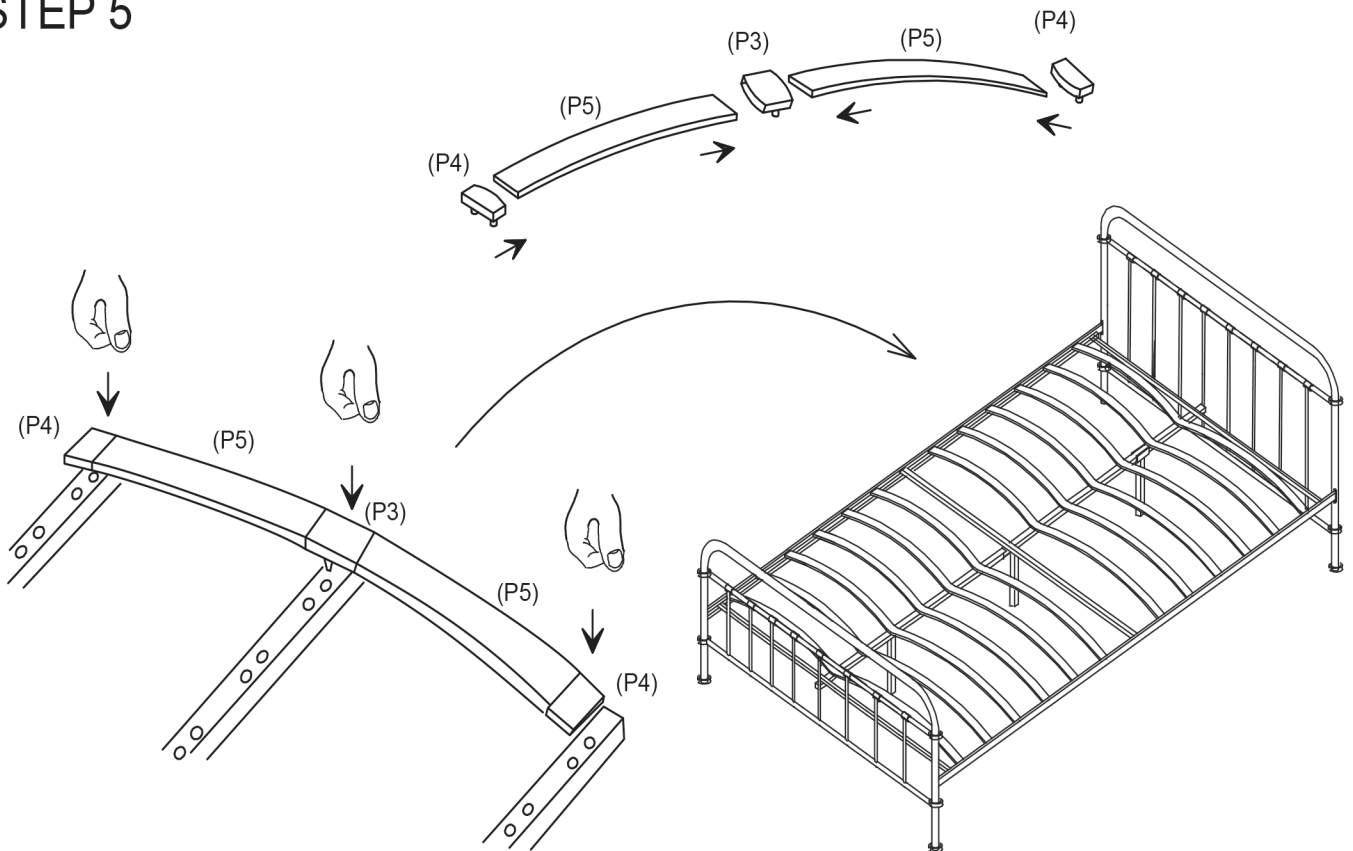
STEP 3



STEP 4



STEP 5



Note: Press side first then the middle