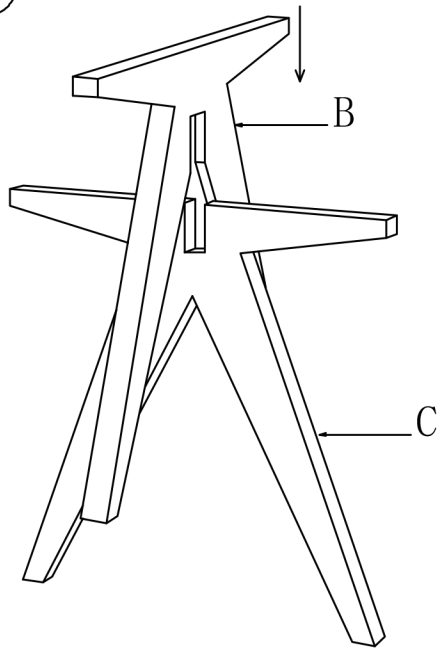
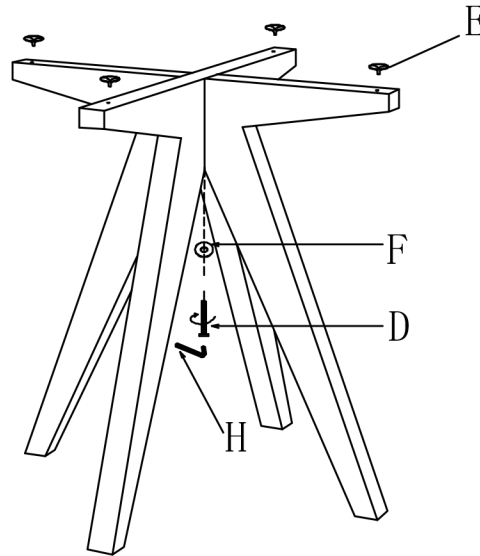


Assembly Instruction

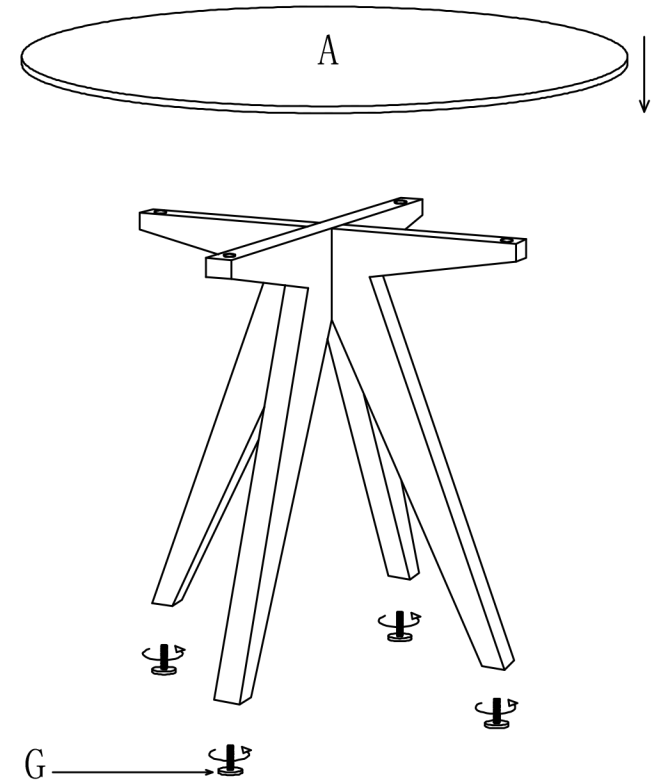
①



②



③



A



1PC

B



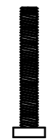
1PC

C



1PC

D



1PC

E



4PCS

F



1PC

G



4PCS

H



1PC