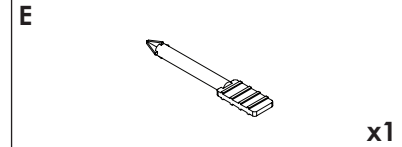
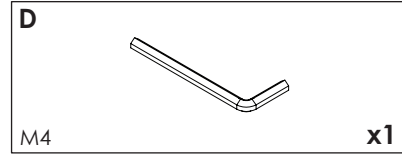
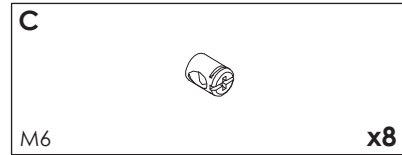
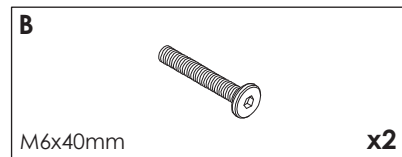
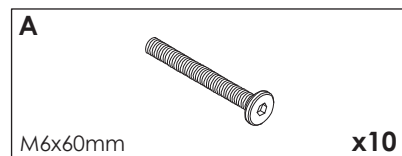
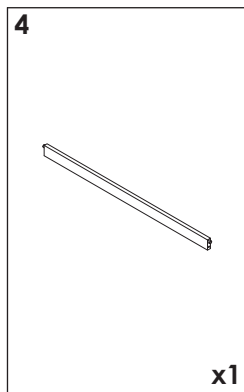
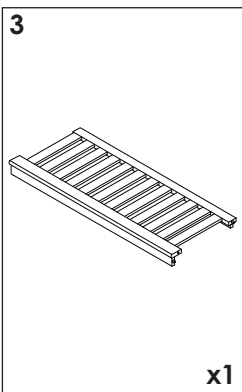
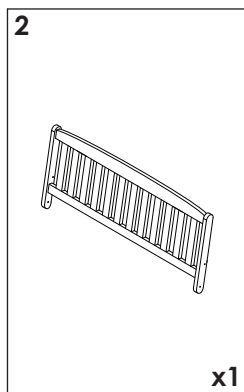
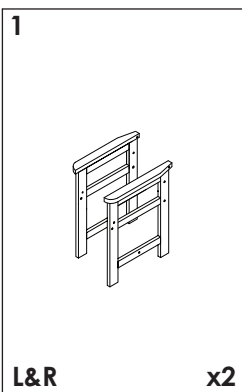
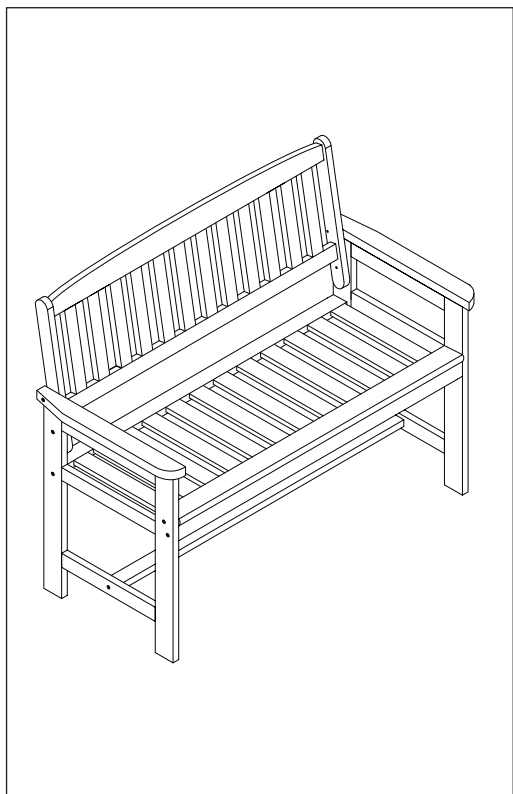


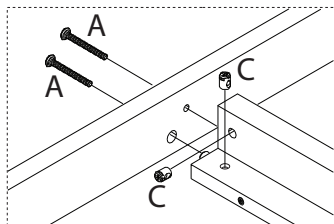
ASSEMBLY INSTRUCTION

NJ 1212

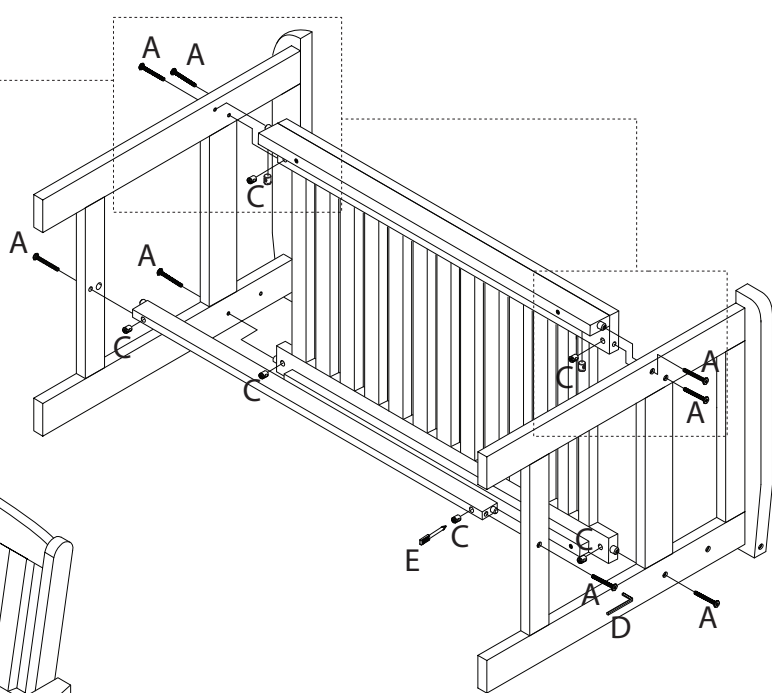
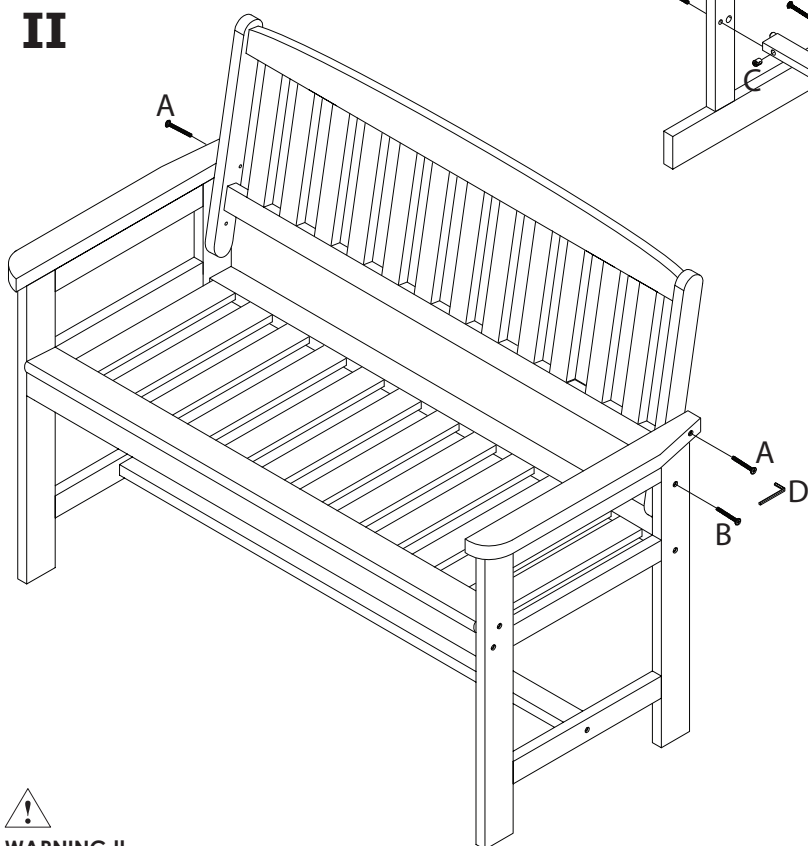
TEMPLE &
WEBSTER
WAP2SRET



I



II



WARNING !!

DO NOT tighten any bolts UNTIL the product is completely assembled.