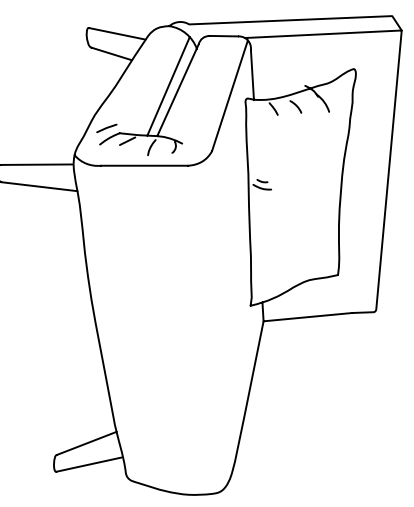


ASSEMBLY INSTRUCTION

Fold Out Chair-Charcoal
 Fold Out Chair-Red
 AA2DAN7AAXXXXXX
 AA2DAN7ABXXXXXX



PARTS AND HARDWARE

① 4pcs		5*25*66mm A X 1	
② 1pcs		φ8*65mm B X 4	
③ 1pcs		φ8*17mm C X 4	

ASSEMBLY INSTRUCTIONS

Step 1

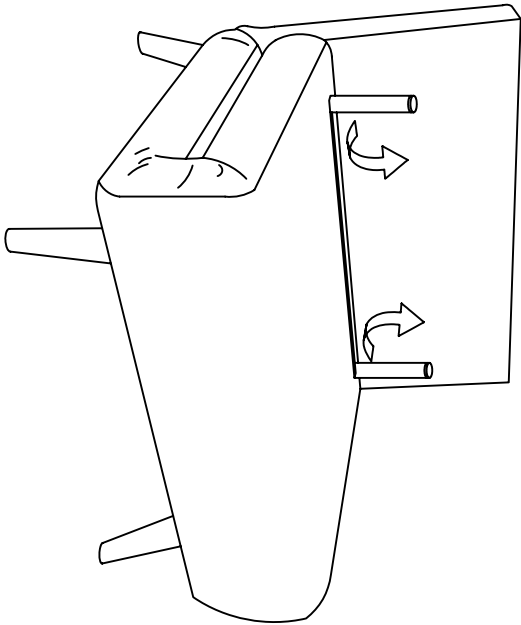
① 4pcs 5*25*66mm A X 1
 φ8*65mm B X 4
 φ8*17mm C X 4

Step 2

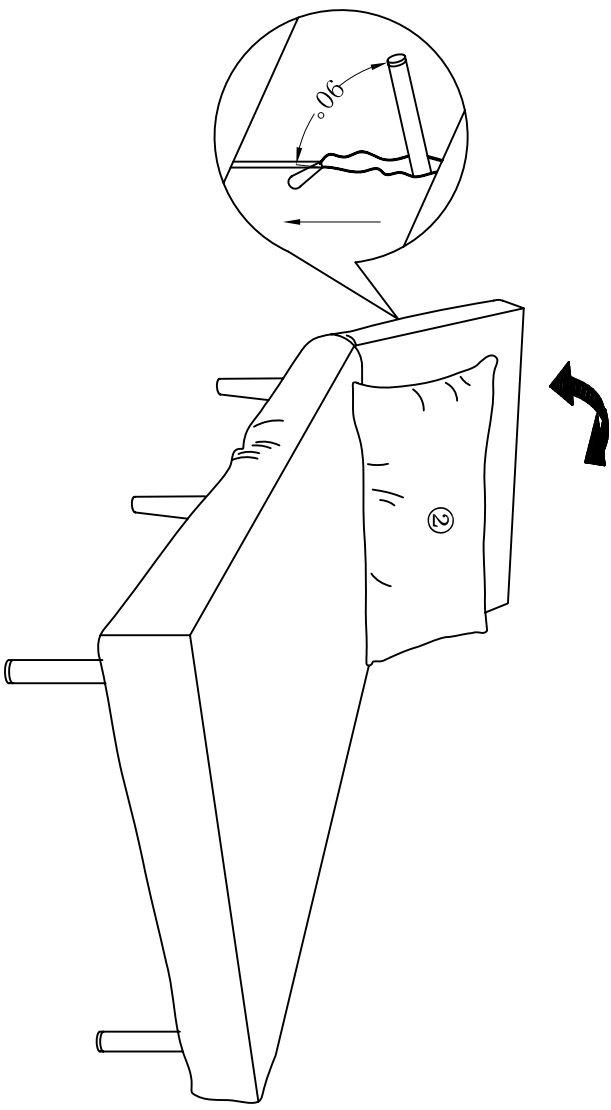
② 1pcs φ8*65mm B X 4
 φ8*17mm C X 4

OPERATING YOUR UNIT

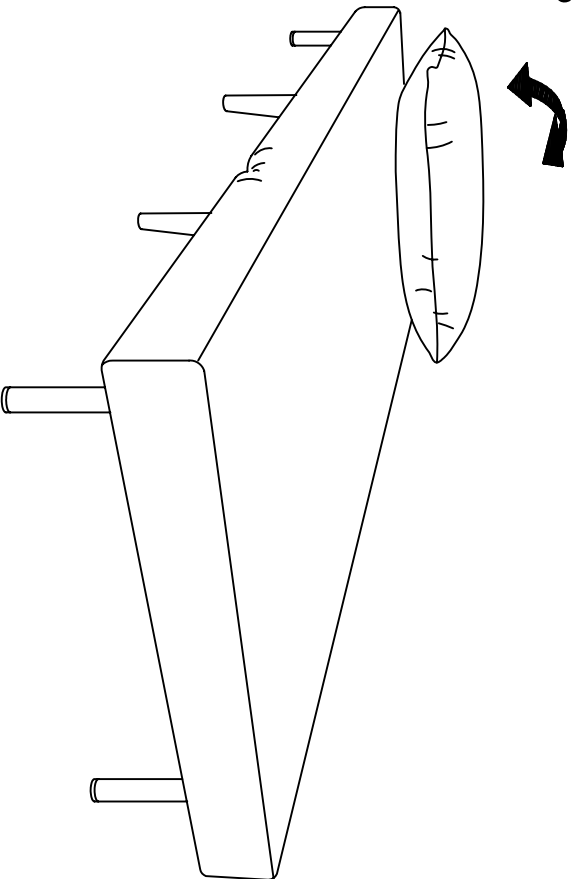
Step 3



Step 4



Step 5



Step 6