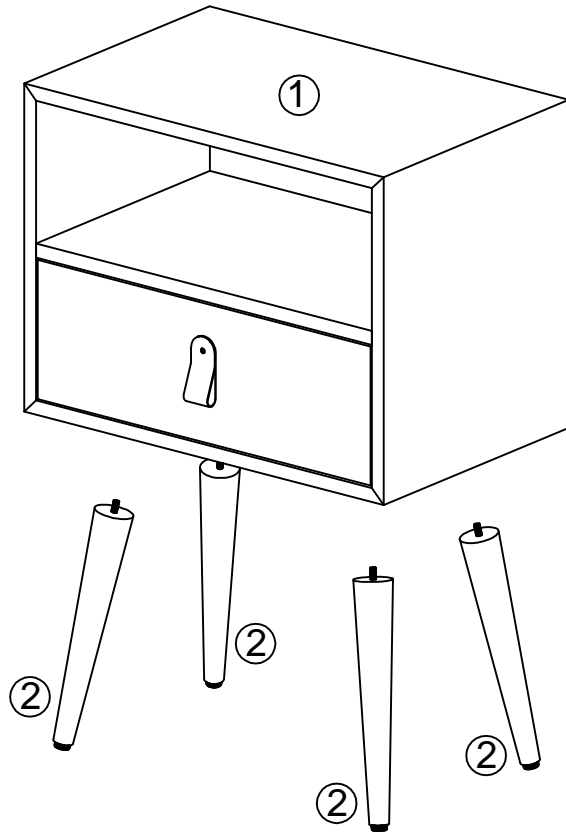


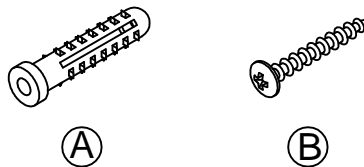
PARTS INCLUDED

1. CABINET : 1pc
2. LEG : 4pcs



HARDWARE LIST

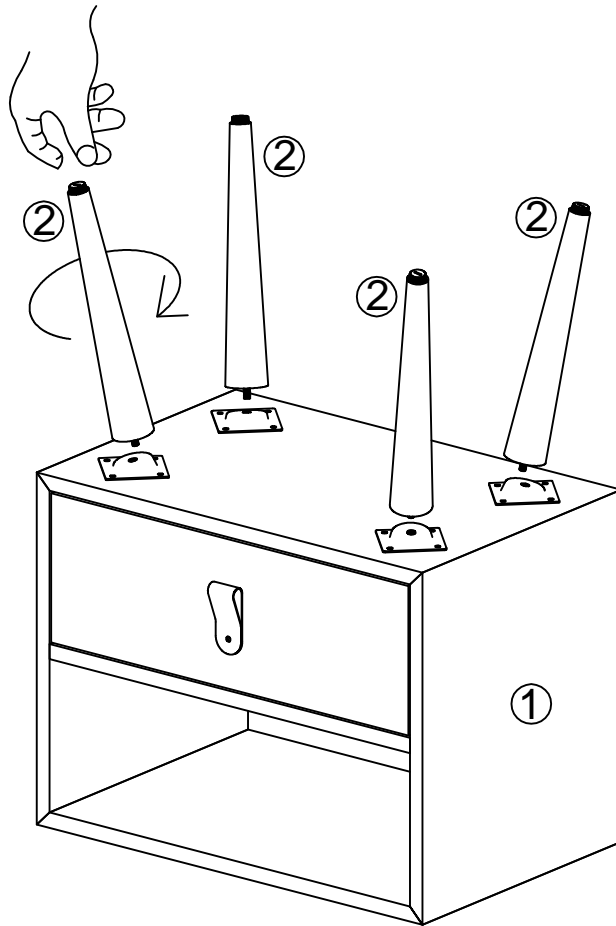
- A. RAWL PLUG : 1pc
B. SCREW : 1pc



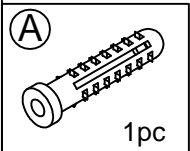
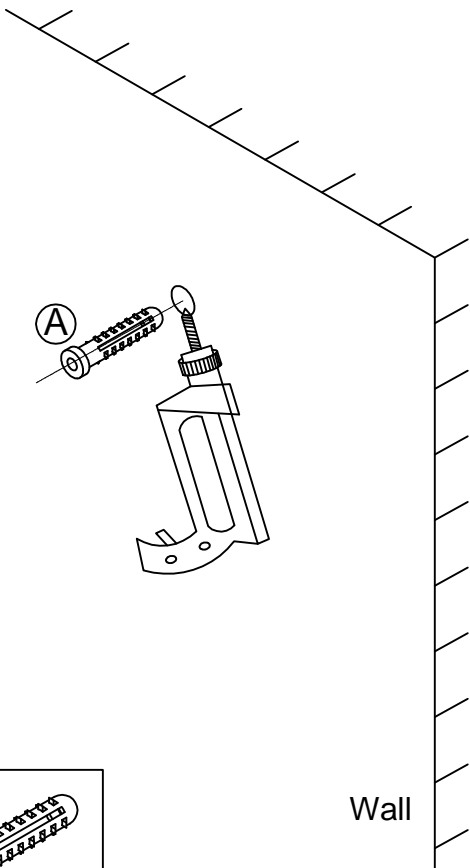
FOR ASSEMBLY

- First, check the contents to make sure that nothing is missing.
- Sort out the parts and fittings as shown. Assemble product step by step.
- It is preferable to rest the product on a soft surface to avoid damage during assembly.
- Do not overtighten screws and fittings.
- Re-tighten all screws and fittings periodically.
- Please use adjustable feet for uneven floor.

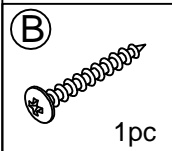
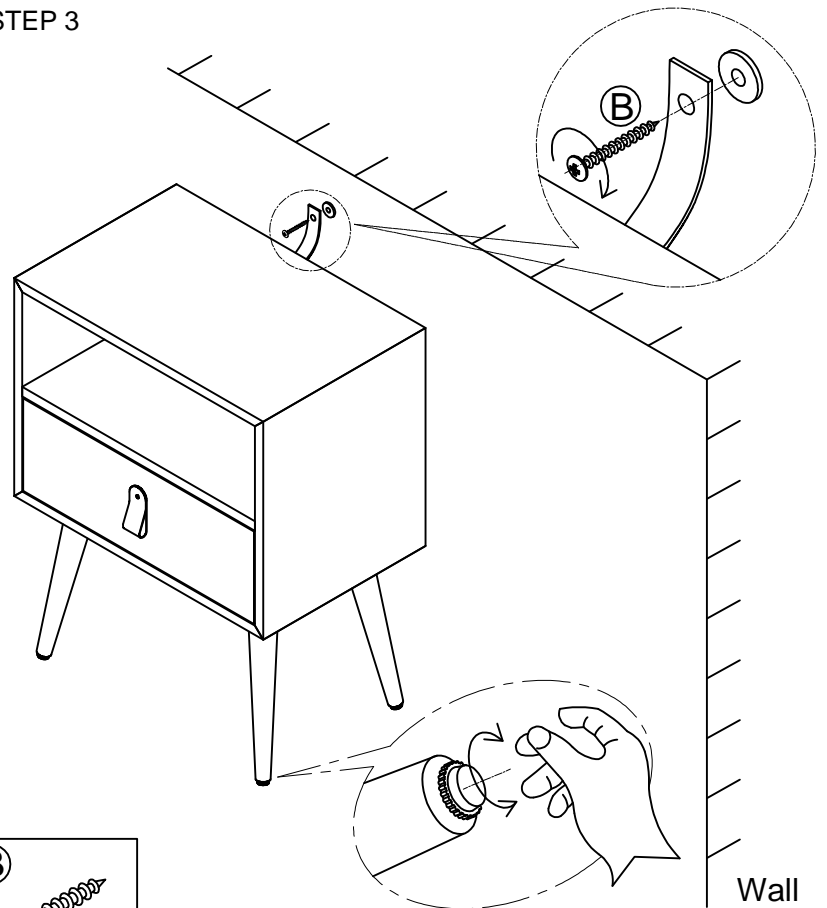
STEP 1



STEP 2



STEP 3



Note: Please use adjustable feet for uneven floor