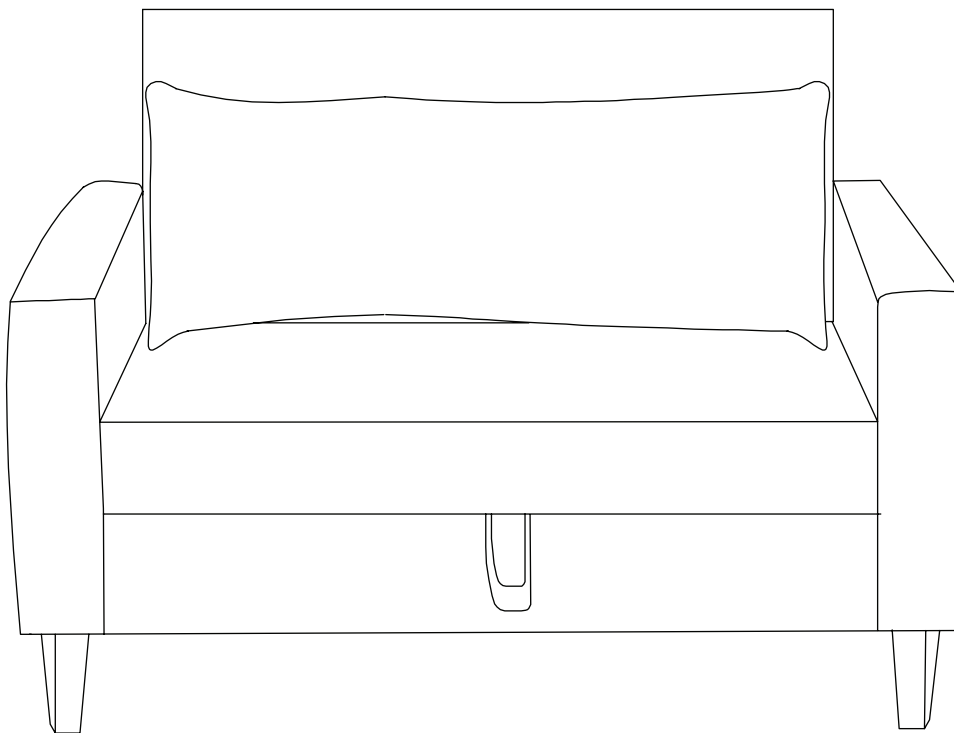




SOFA BED

ASSEMBLY INSTRUCTIONS

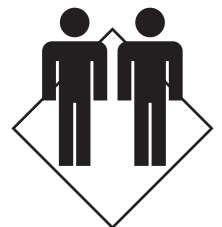


TIPS BEFORE YOU START

1. Please check that all parts are present before you start the assembly of your furniture.
2. For ease and speed of assembly, we recommend that before you commence each step of the assembly, that you identify all the parts required for that step.
3. For larger items, please ensure that you have sufficient space and people to assemble your product safely.
4. We recommend that, where possible, all items are assembled near to the area in which they will be placed in use, to avoid moving the product unnecessarily once assembled.
5. For the protection of your furniture, we recommend that the product is placed on a protected surface during assembly to prevent any damage.
6. During assembly please take care not to over-tighten any fittings, as this may damage the product. Do not use power tools.
7. Always place the product on a flat, steady and stable surface.
8. Do not stand on the product. Do not use the product as a stepladder.
9. This product is intended for indoor, household use only as it is a non-industrial product.
10. Please use caution and care when lifting the product to avoid personal injury and/or product damage.

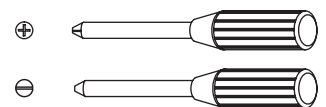
CARE AND MAINTENANCE OF YOUR FURNITURE

- Please periodically check all fittings and re-tighten as necessary.
- To clean your item, please use a damp cloth and wipe clean.
- To clean glass, please use glass cleaner.
- Never allow any kind of liquid to remain on your furniture. Absorption can cause wood to warp or finishes to de-laminate.
- Please do not place hot items (eg. hot drinks) directly on to the surface.
- Please do not drag and pull your furniture.

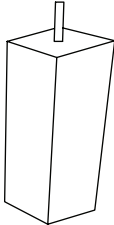


ASSEMBLY REQUIREMENTS

- Equipment: phillips head screwdriver, flat head screwdriver
- 2 x adults required
- 2m x 2m assembly space required
- 1 hour assembly time approx.

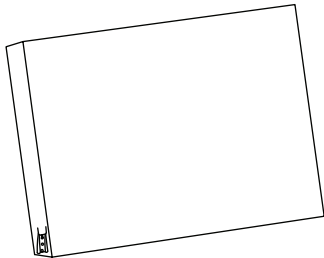


HARDWARE LIST

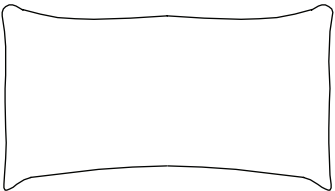


4 x A
Leg

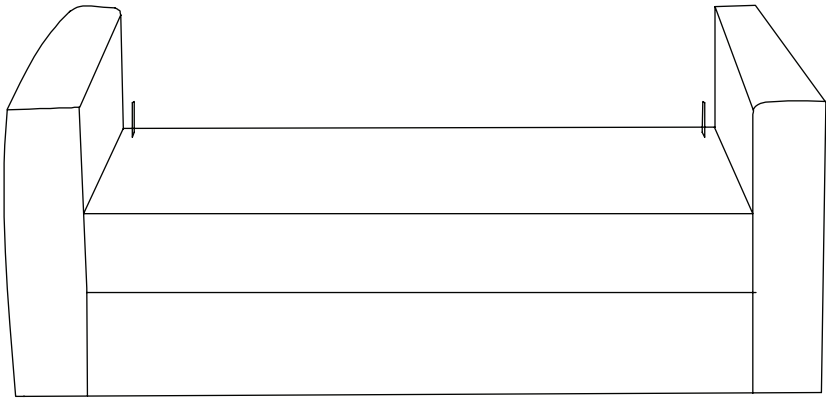
PARTS LIST



1
1 PC



2
1 PC

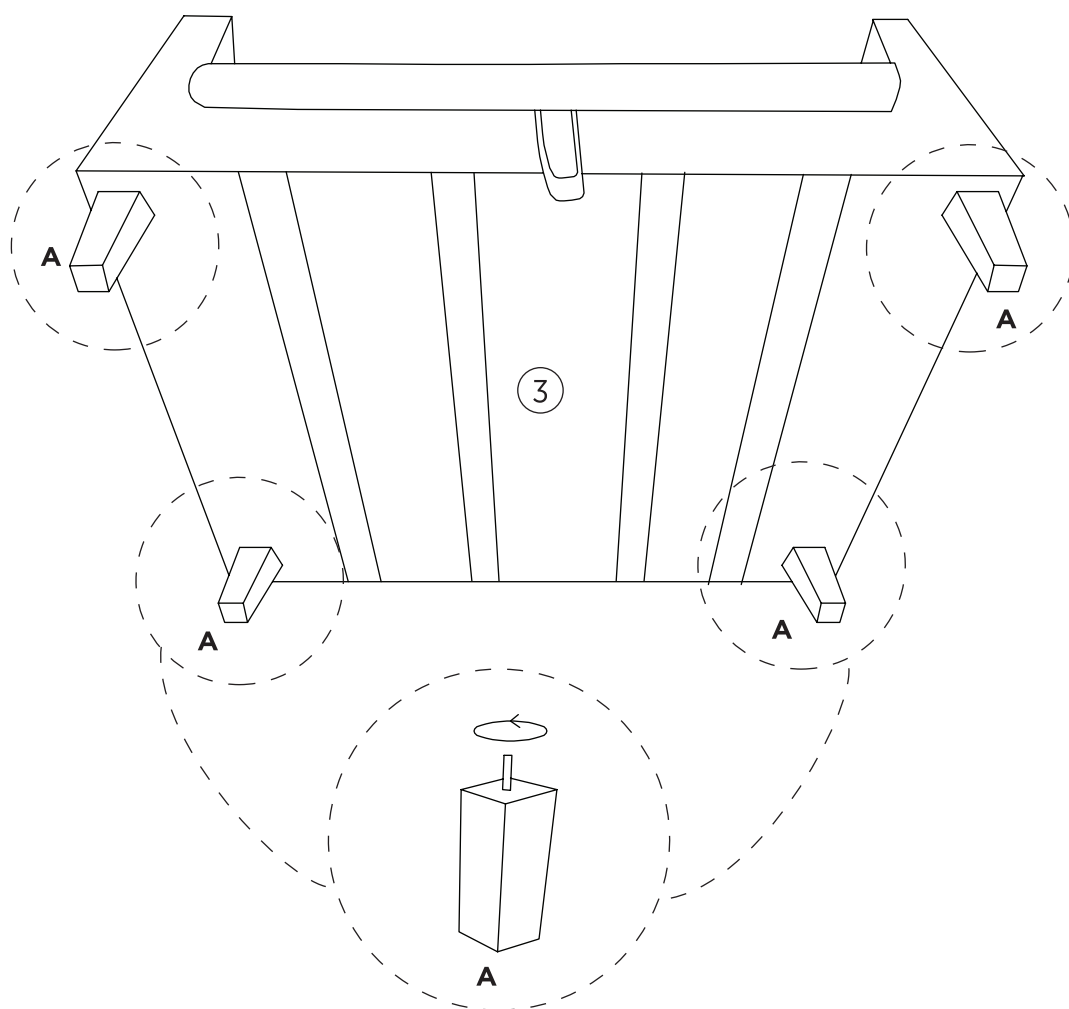
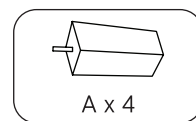


3
1 PC

ASSEMBLY INSTRUCTIONS

STEP 1

Fix legs (A) to the bottom of part 3 turning clockwise, as shown.

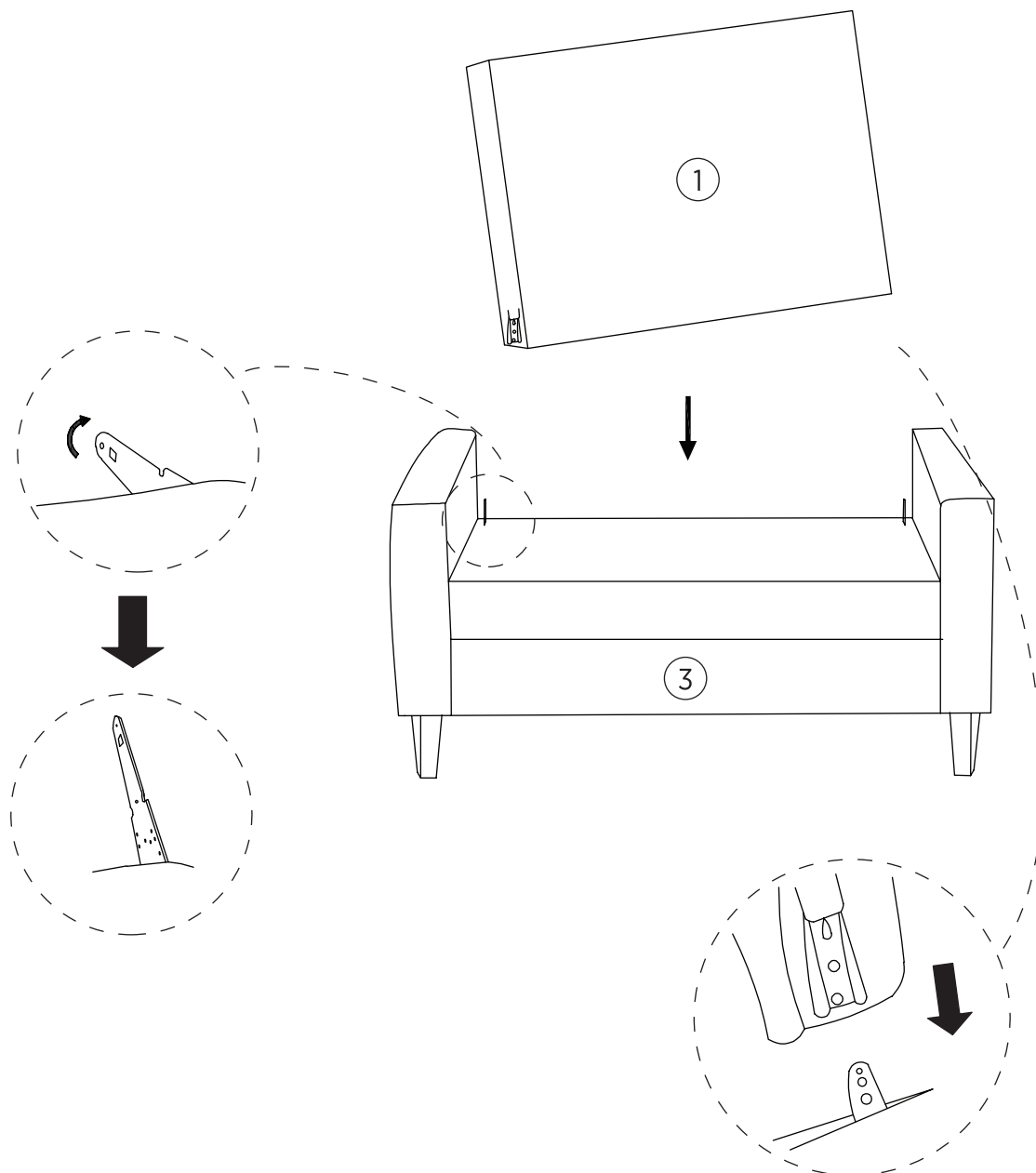


ASSEMBLY INSTRUCTIONS

STEP 2

Rising the bracket from the seat cushion.

Attach part 1 to the seat using the brackets into fastener.

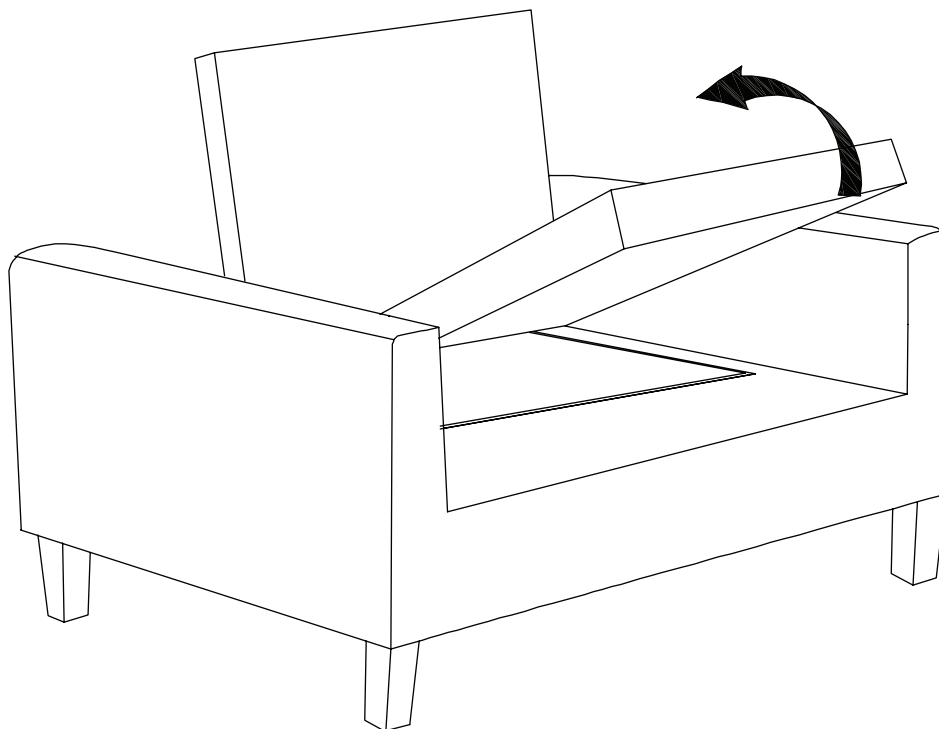


ASSEMBLY INSTRUCTIONS

STEP 3

Converting Sofa to Bed.

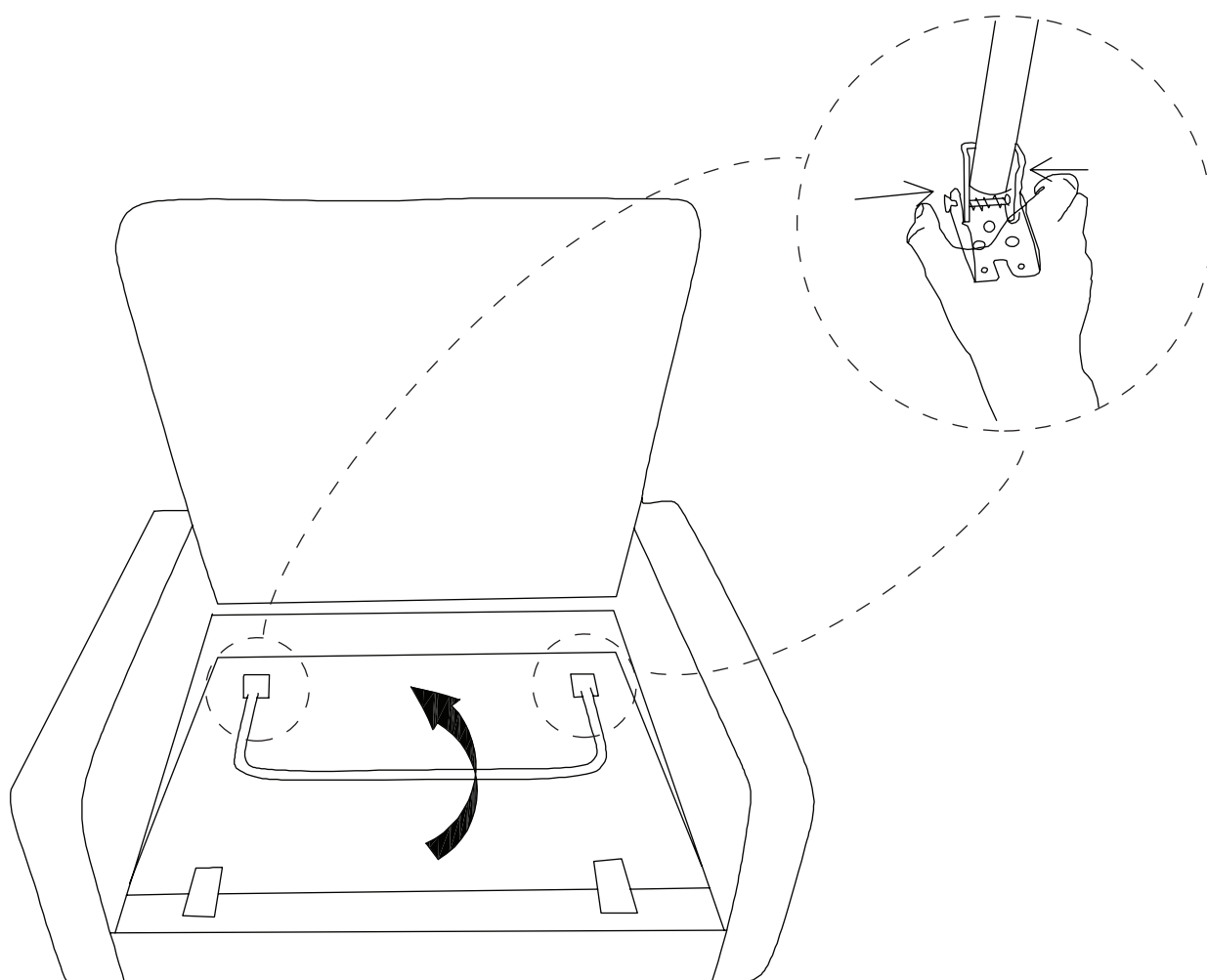
Lift up and pull the seat cushion backward.



ASSEMBLY INSTRUCTIONS

STEP 4

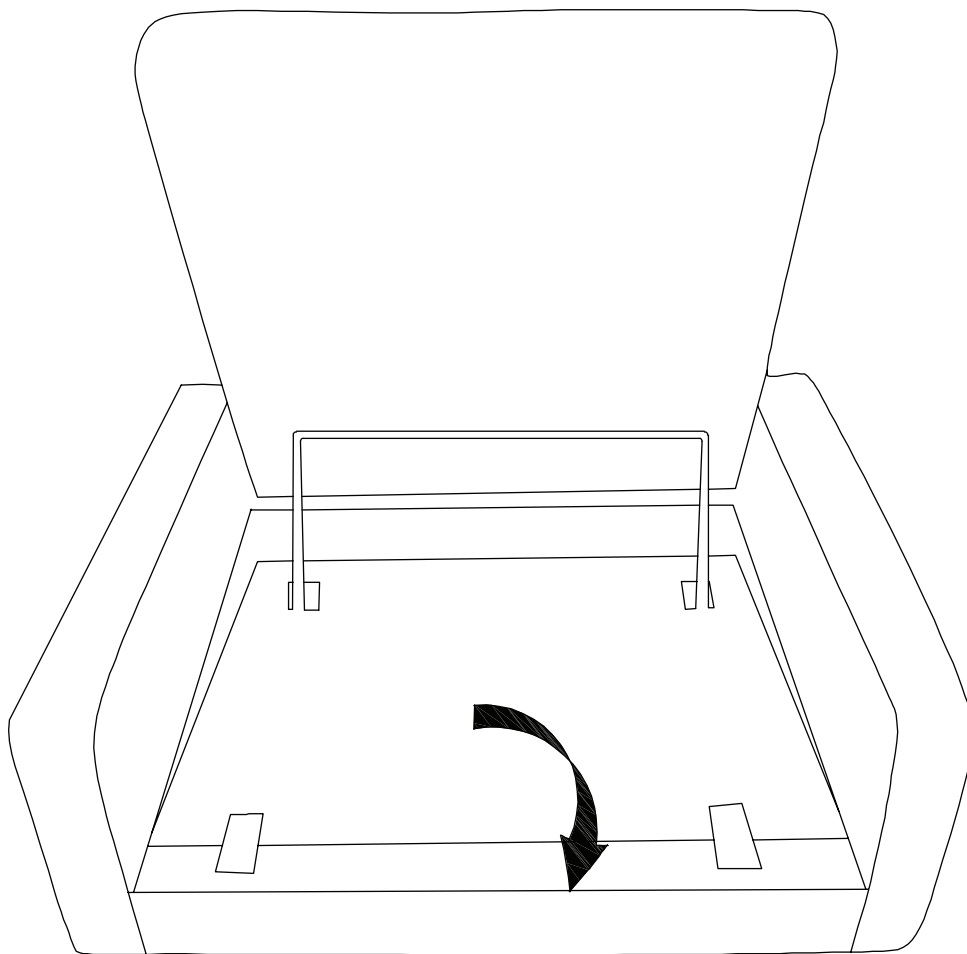
Press the buttons on the connection of U shape tube and standing U shape tubes on the support unit, as shown.



ASSEMBLY INSTRUCTIONS

STEP 5

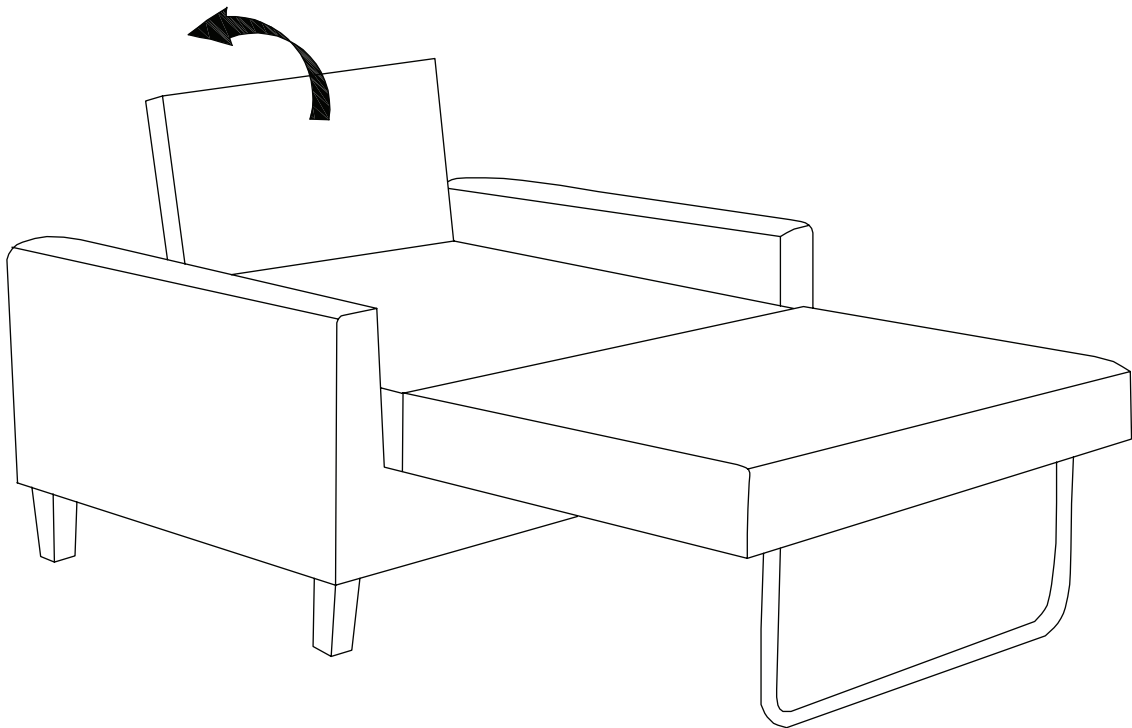
Flip and extend the support unit, as shown.



ASSEMBLY INSTRUCTIONS

STEP 6

Lower angled backrest, as shown.

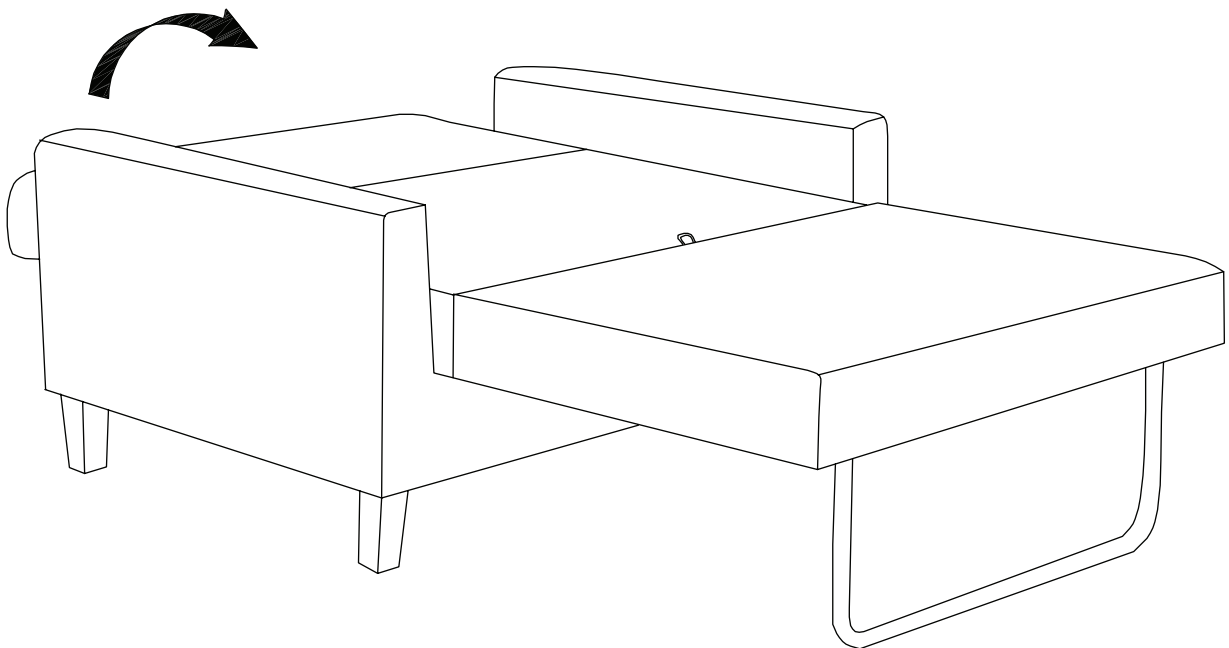


ASSEMBLY INSTRUCTIONS

STEP 7

Converting Bed to Sofa.

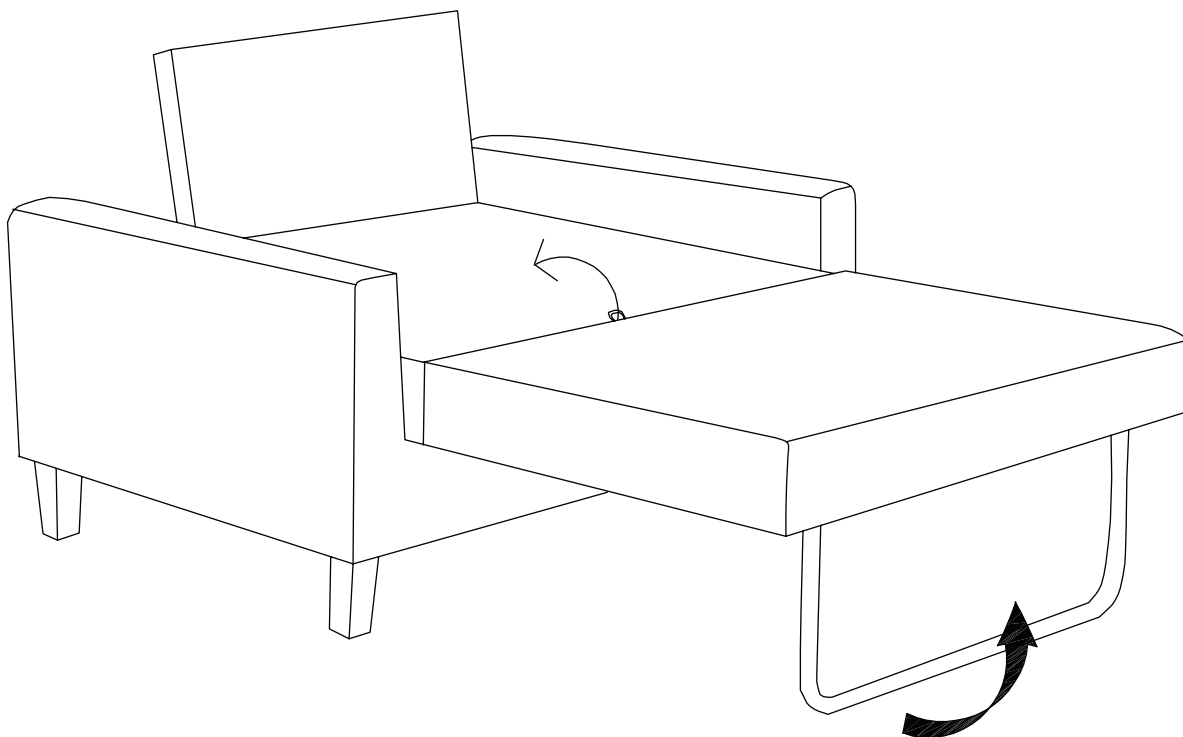
Move forward the angled backrest, as shown.



ASSEMBLY INSTRUCTIONS

STEP 8

Lift up and pull the seat and the support unit backward, as shown.

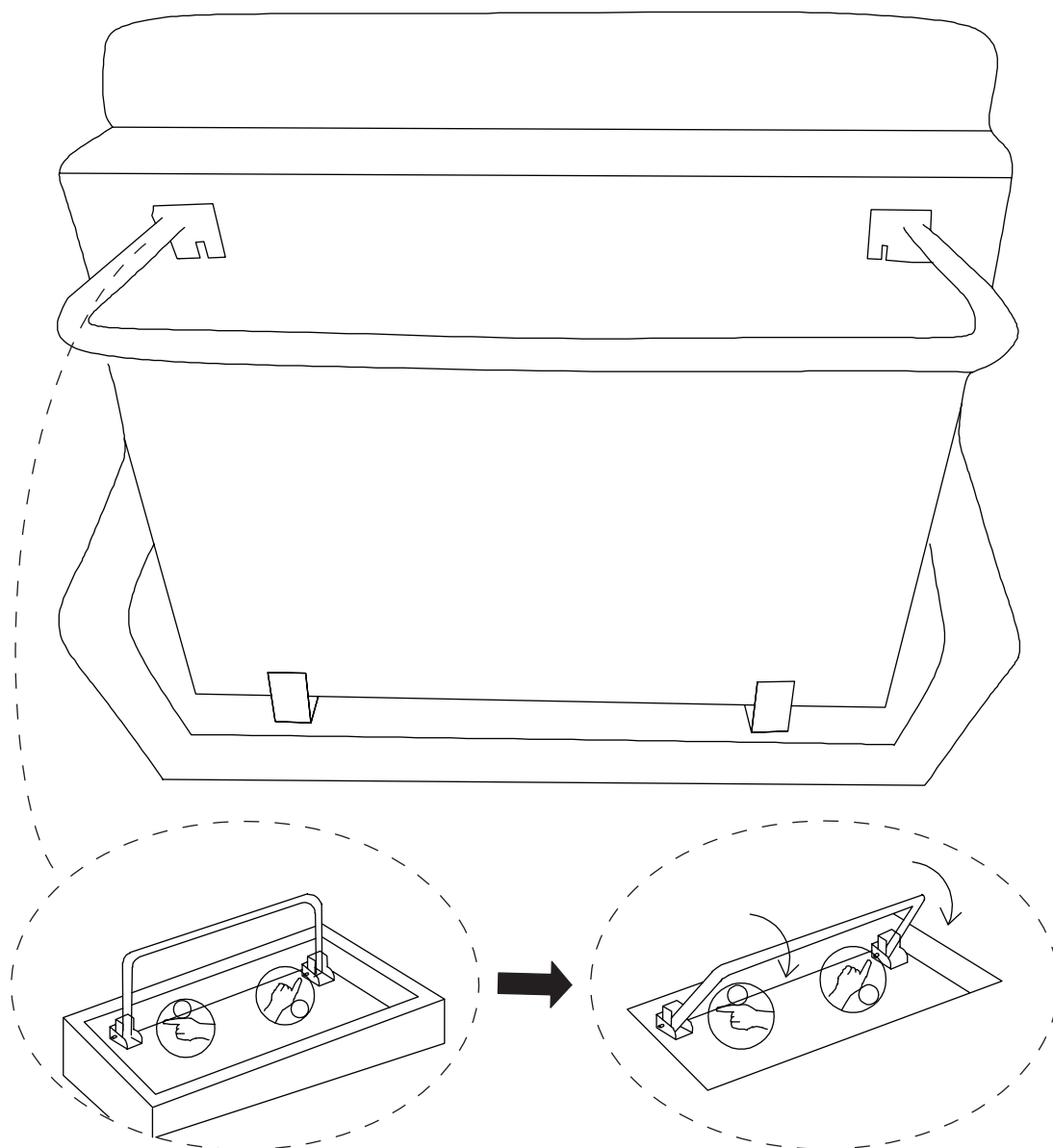


ASSEMBLY INSTRUCTIONS

STEP 9

Push the button to open legs.

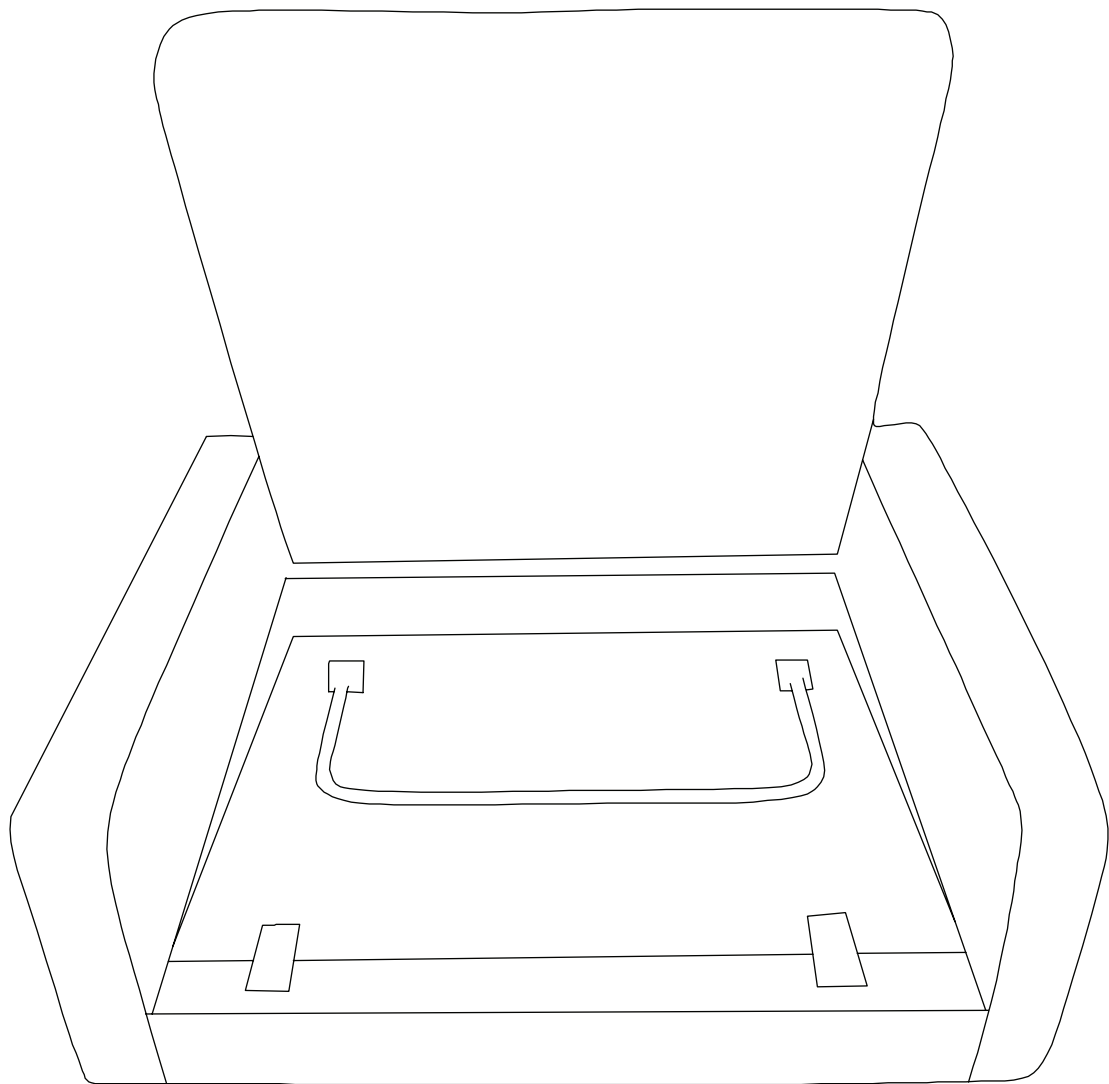
Slowly fold the leg to hide, as shown.



ASSEMBLY INSTRUCTIONS

STEP 10

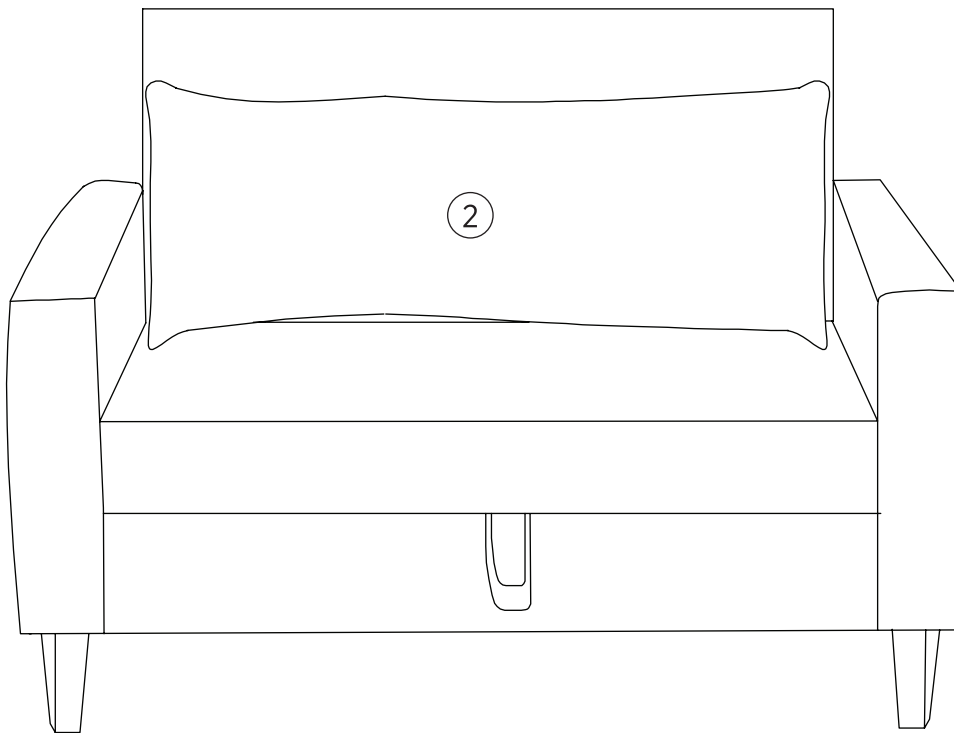
Repositioning the seat cushion, and become to sofa, as shown.



ASSEMBLY INSTRUCTIONS

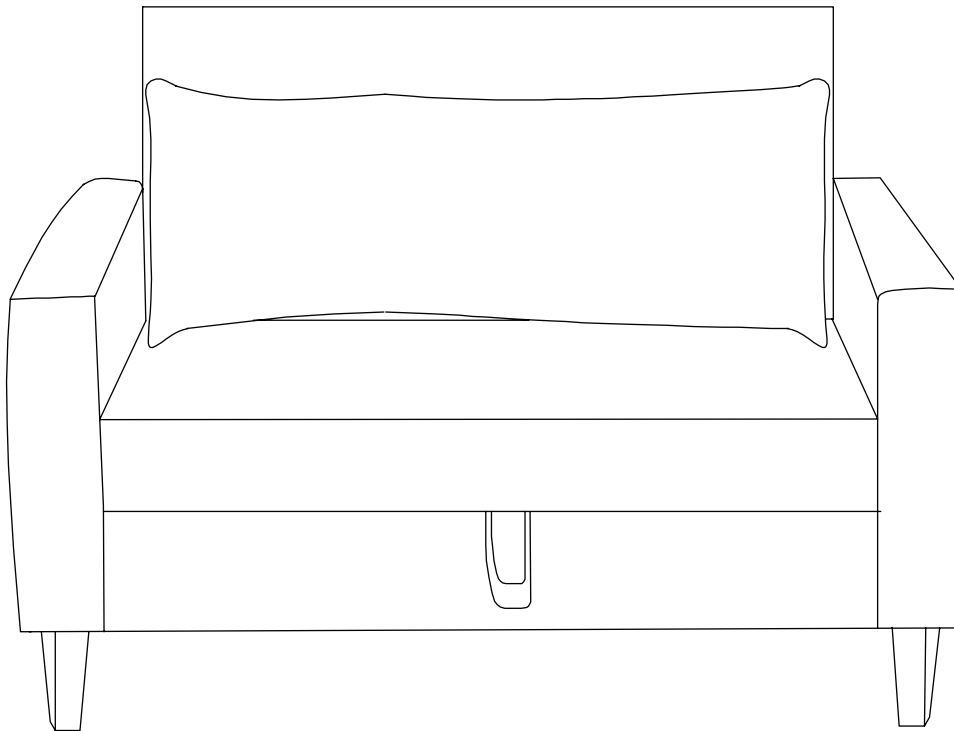
STEP 11

Place part 2 to the seat, as shown



ASSEMBLY INSTRUCTIONS

STEP 12



Maximum recommended weight is 160kg.

Your Sofa Bed is ready for use.