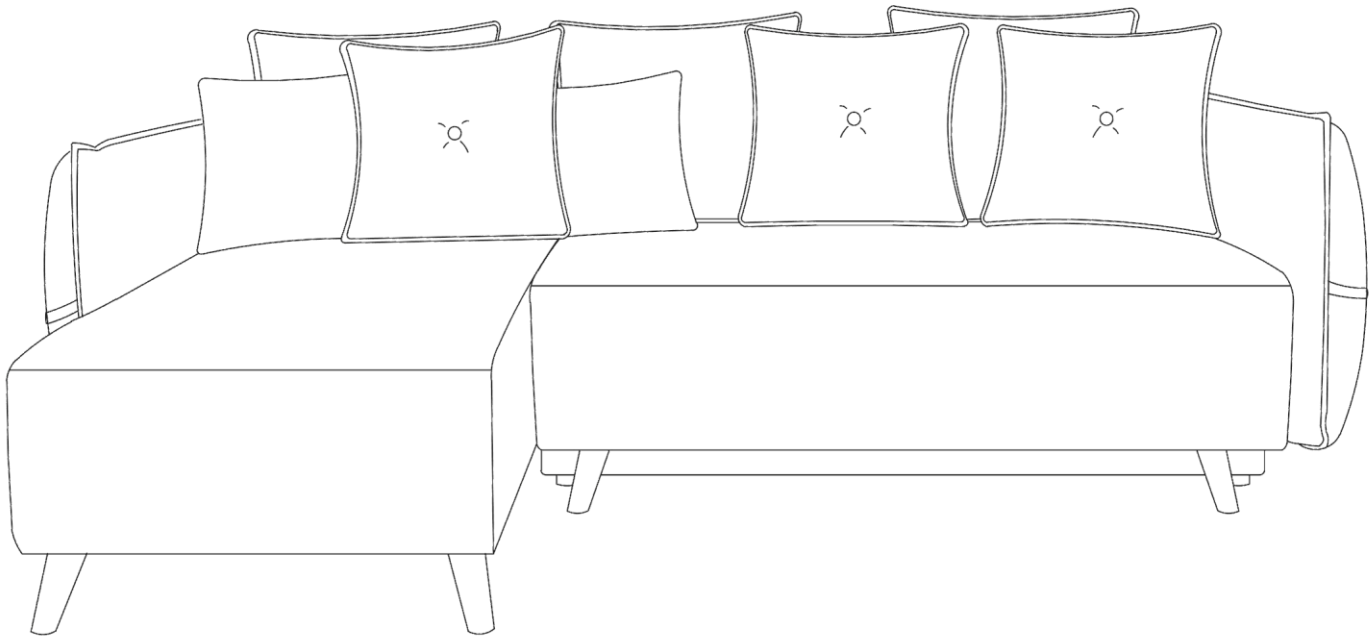


SOFA 3 SEATER LH

ASSEMBLY INSTRUCTIONS



TIPS BEFORE YOU START

1. Please check that all parts are present before you start the assembly of your furniture.
2. For ease and speed of assembly, we recommend that before you commence each step of the assembly, that you identify all the parts required for that step.
3. For larger items, please ensure that you have sufficient space and people to assemble your product safely.
4. We recommend that, where possible, all items are assembled near to the area in which they will be placed in use, to avoid moving the product unnecessarily once assembled.
5. For the protection of your furniture, we recommend that the product is placed on a protected surface during assembly to prevent any damage.
6. During assembly please take care not to over-tighten any fittings, as this may damage the product. Do not use power tools.
7. Always place the product on a flat, steady and stable surface.
8. Do not stand on the product. Do not use the product as a stepladder.
9. This product is intended for indoor, household use only as it is a non-industrial product.
10. Please use caution and care when lifting the product to avoid personal injury and/or product damage.

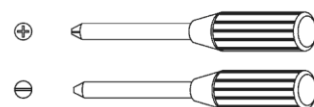
CARE AND MAINTENANCE OF YOUR FURNITURE

- Please periodically check all fittings and re-tighten as necessary.
- To clean your item, please use a damp cloth and wipe clean.
- To clean glass, please use glass cleaner.
- Never allow any kind of liquid to remain on your furniture. Absorption can cause wood to warp or finishes to de-laminate.
- Please do not place hot items (eg. hot drinks) directly on to the surface.
- Please do not drag and pull your furniture.

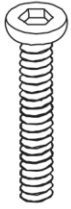


ASSEMBLY REQUIREMENTS

- Equipment: phillips head screwdriver, flat head screwdriver
- 2 x adults required
- 2m x 2m assembly space required
- 1.5 hour assembly time approx.



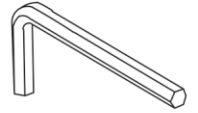
HARDWARE LIST



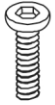
4 x A
Bolt



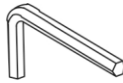
4 x B
Washer



1 x C
Allen Key Big

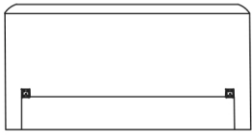


2 x D
Bolt

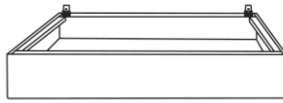


1 x E
Allen Key Small

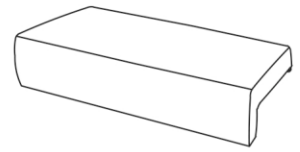
PARTS LIST



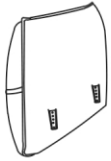
1
1 PC



2
1 PC



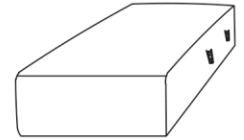
3
1 PC



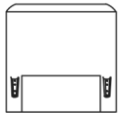
4
1 PC



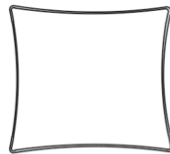
5
1 PC



6
1 PC



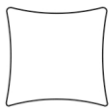
7
1 PC



8
3 PCS



9
3 PCS



10
2 PCS



11
4 PCS



12
2 PCS



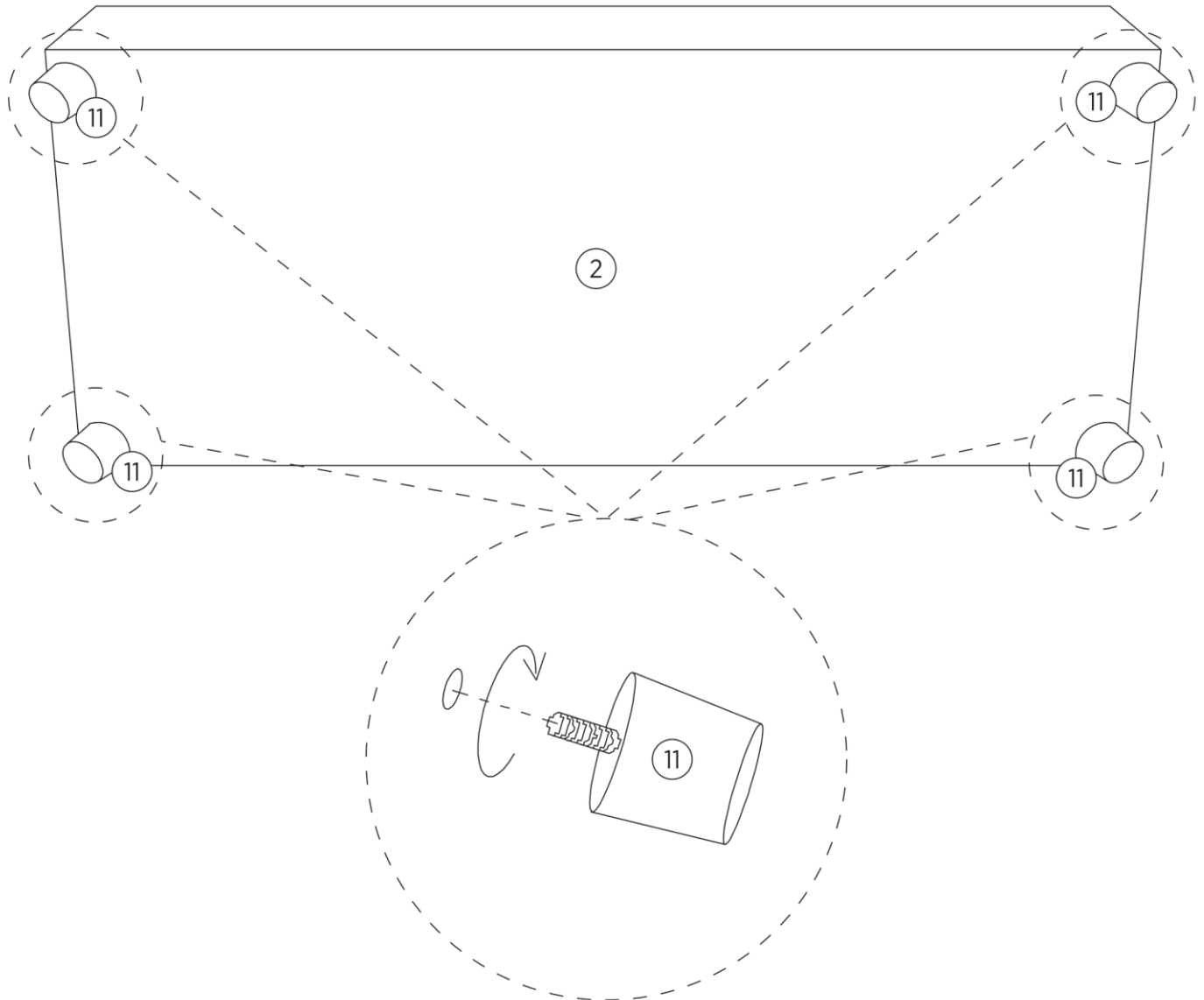
13
4 PCS

ASSEMBLY INSTRUCTIONS

STEP 1

Sofa Position

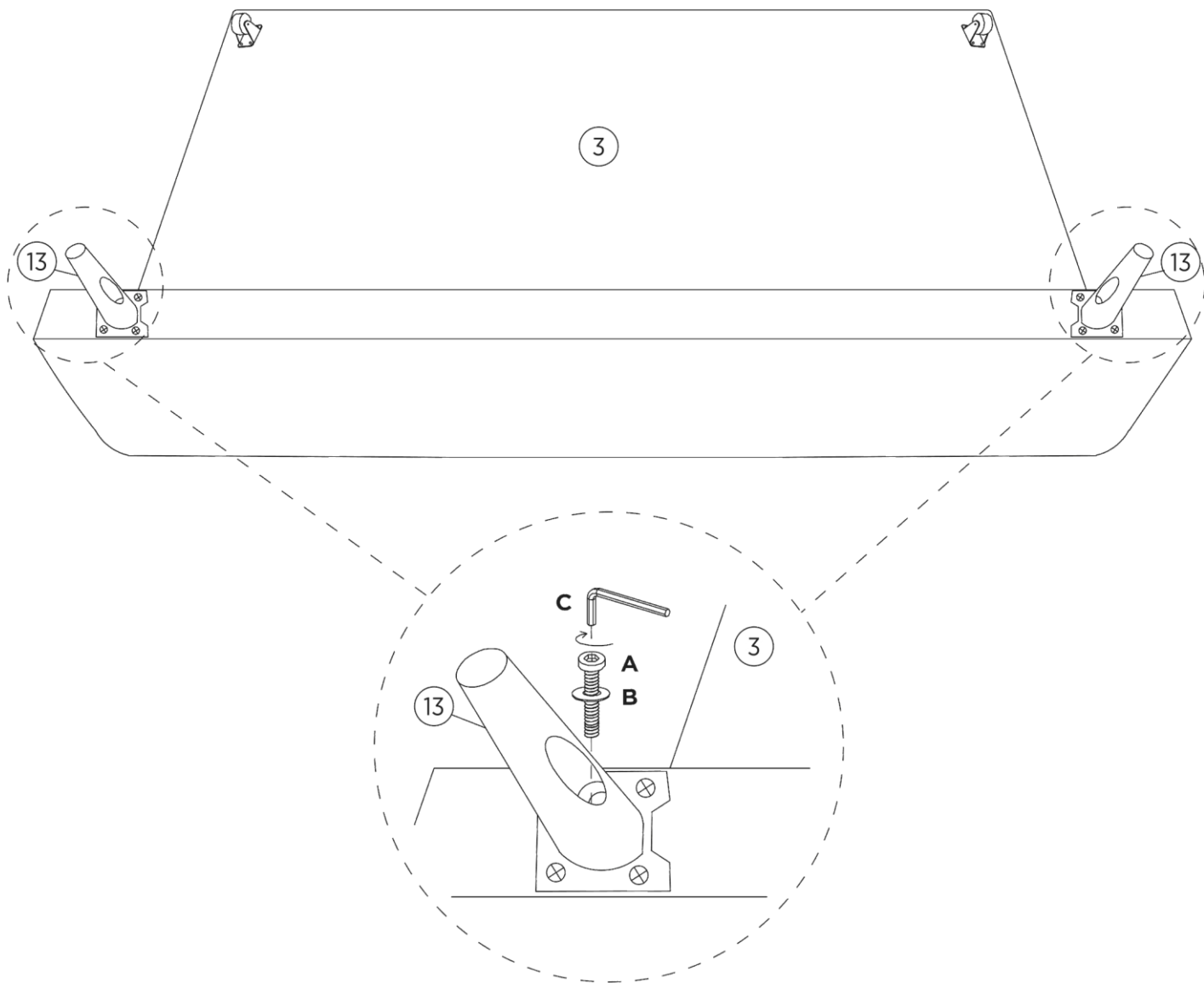
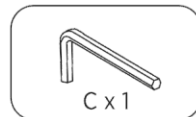
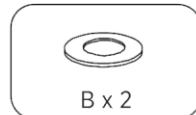
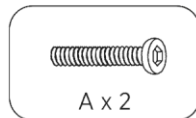
Screw parts 11 to part 2, as shown



ASSEMBLY INSTRUCTIONS

STEP 2

Fix parts 13 to part 3 using bolts (A), washers (B) and allen key big (C), as shown.

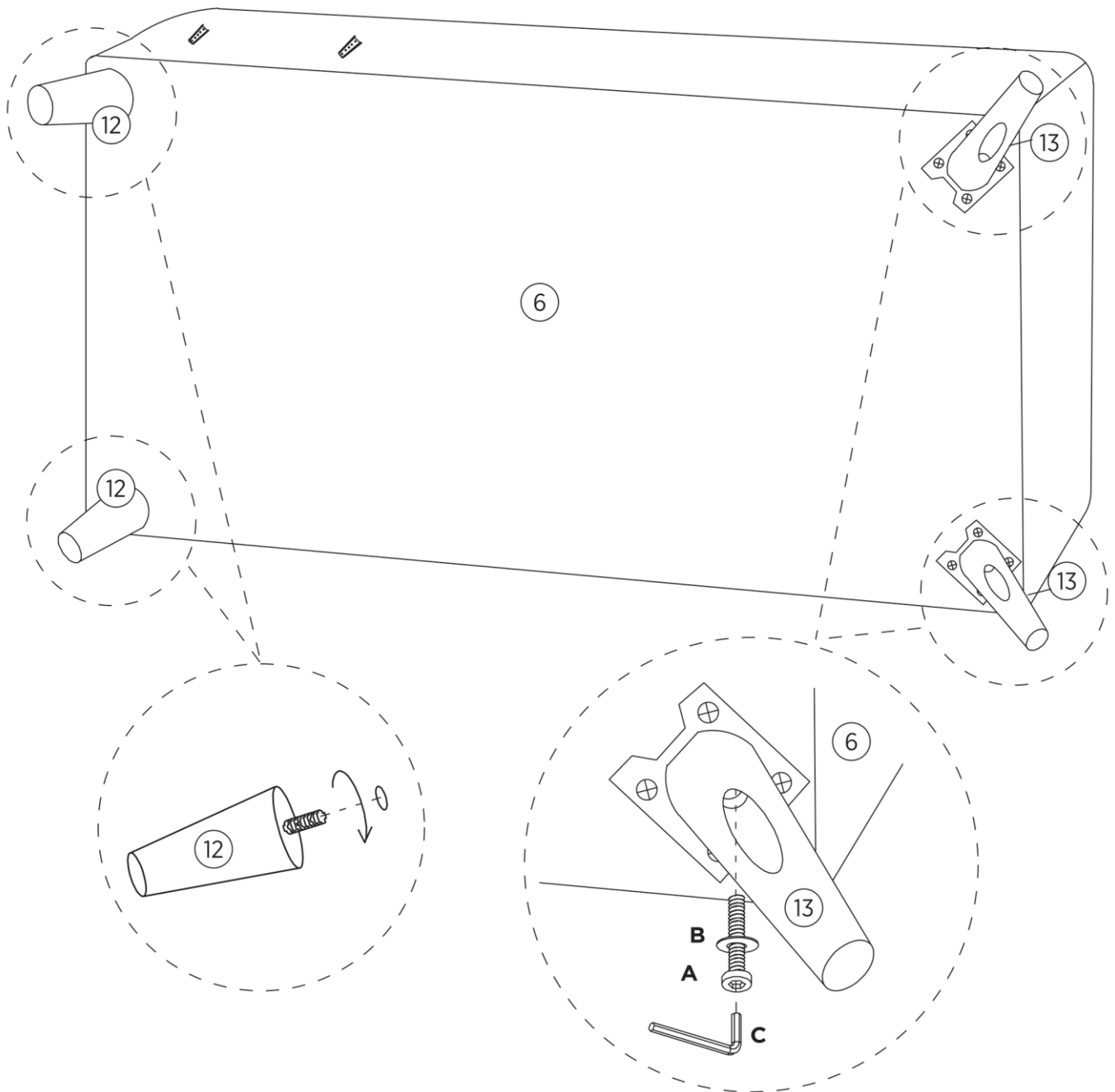
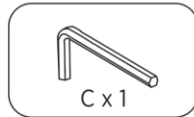
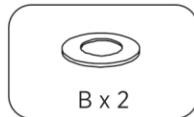
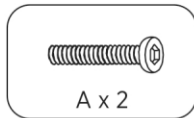


ASSEMBLY INSTRUCTIONS

STEP 3

Screw parts 12 to part 6.

Fix parts 13 to part 6 using bolts (A), washers (B) and allen key big (C), as shown.

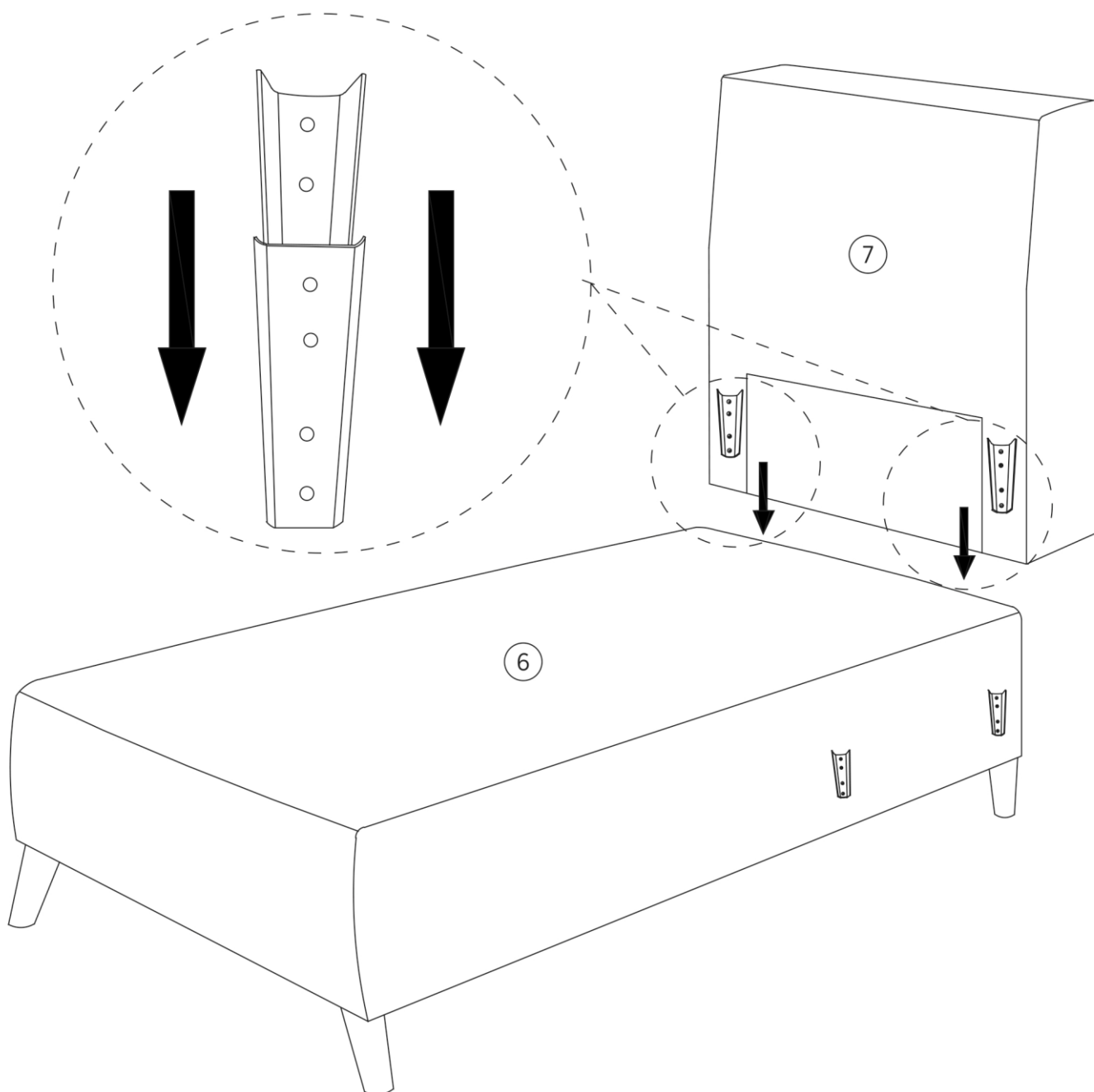


ASSEMBLY INSTRUCTIONS

STEP 4

Connect seat's connectors on part 7 & seat's receivers on part 6.

Push down part 7 to part 6 using bracket into bracket, as shown.

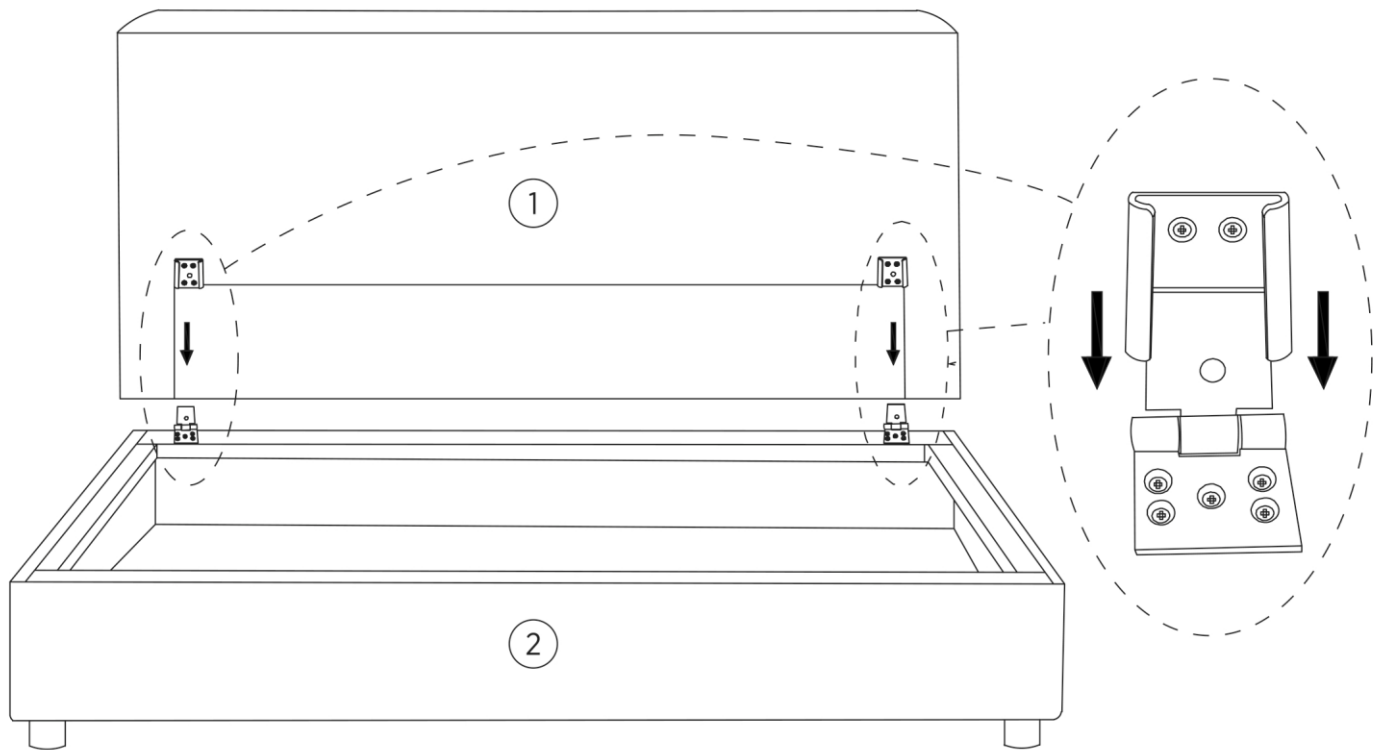


ASSEMBLY INSTRUCTIONS

STEP 5

Align to connect backrest's connector on part 1 & backrest's receiver on part 2

Insert the metal plates of part 2 into the brackets of part 1, as shown.



ASSEMBLY INSTRUCTIONS

STEP 6

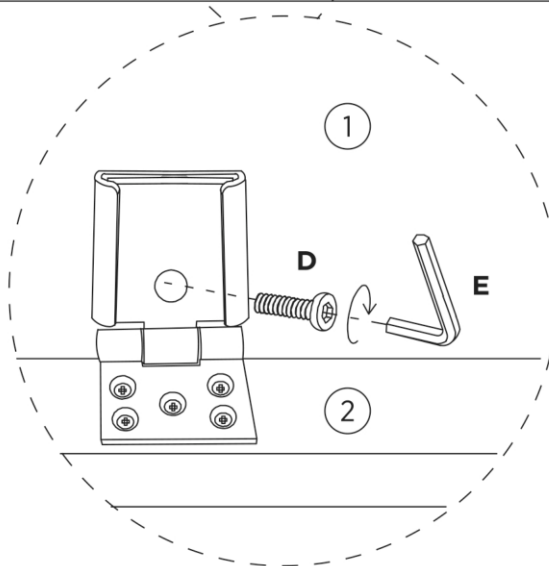
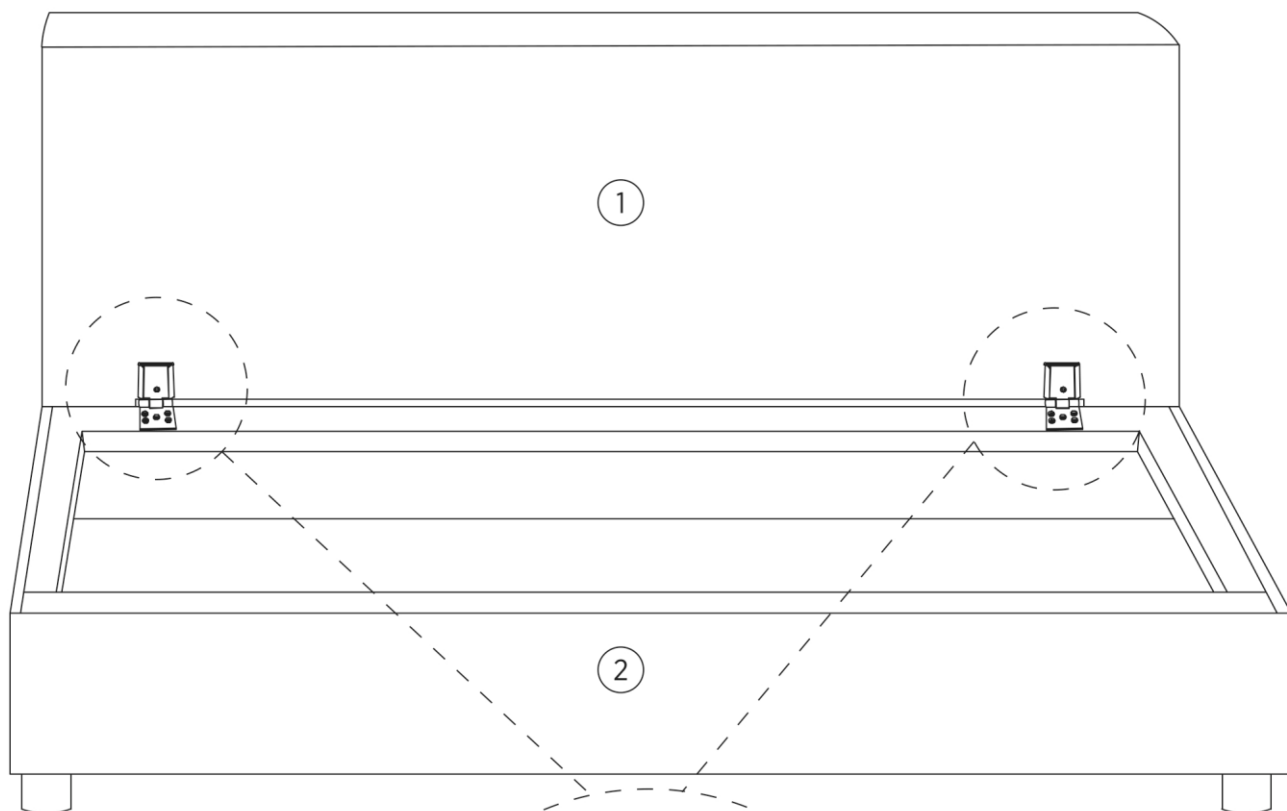
Secure the connection of backrest's connector on part 1 & backrest's receiver on part 2 by using bolts (D) and allen key small (E), as shown.



D x 2



E x 1

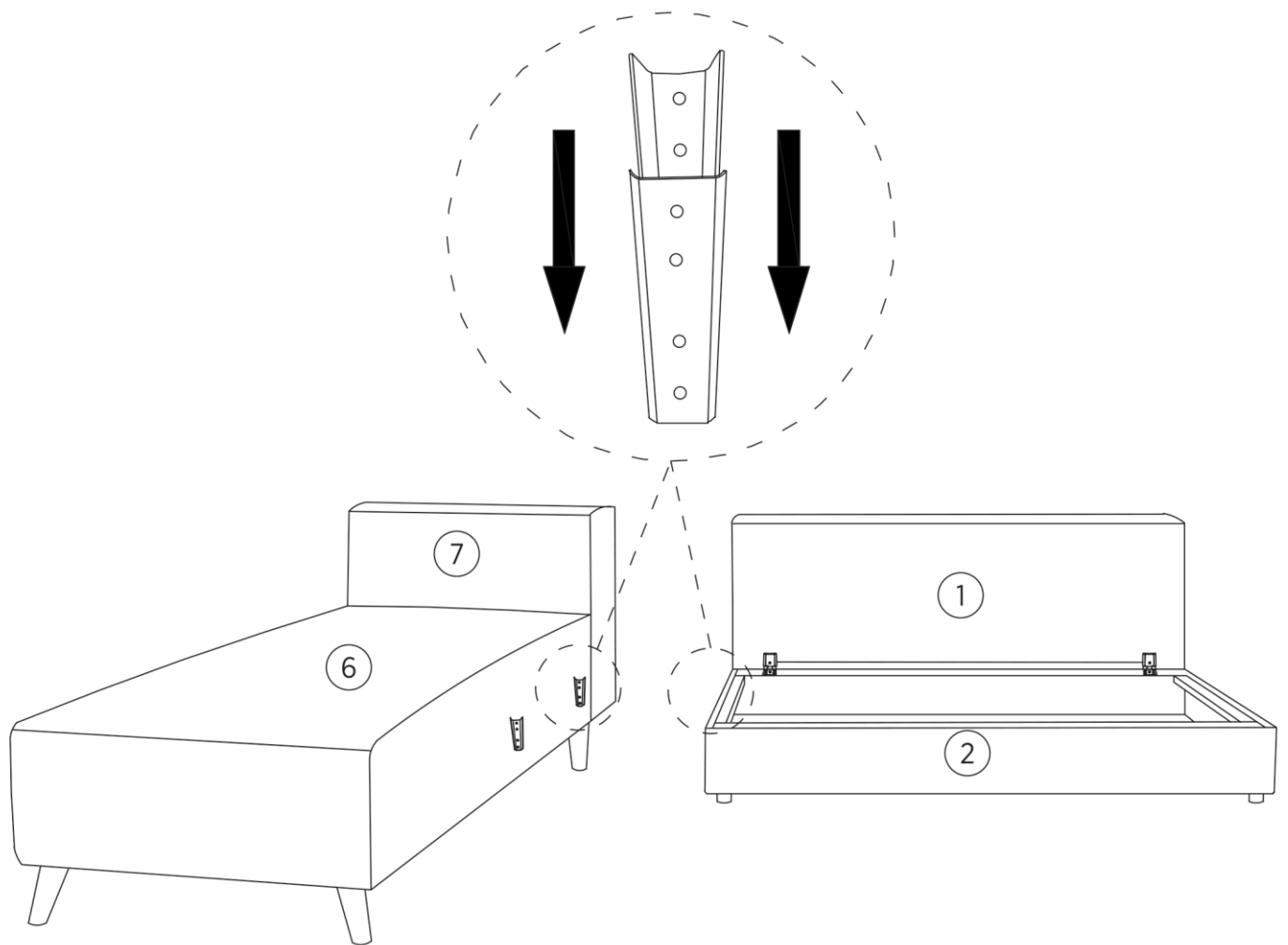


ASSEMBLY INSTRUCTIONS

STEP 7

Connect seat's connectors on part 2 & seat's receivers on part 6.

Push down part 7 to part 6 using bracket into bracket, as shown.



ASSEMBLY INSTRUCTIONS

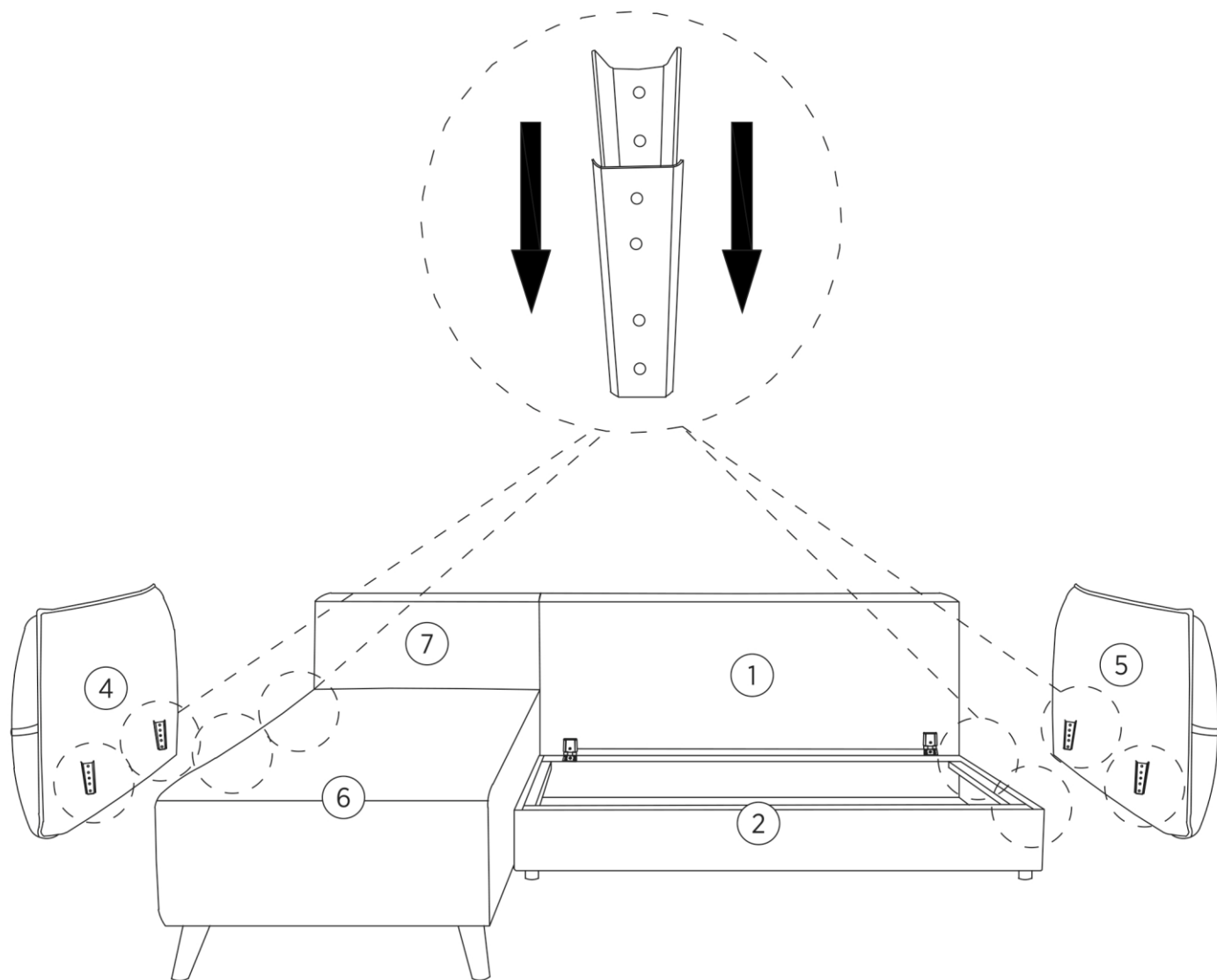
STEP 8

Connect seat's connectors on part 4 & seat's receivers on part 6.

Push down part 4 to part 6 using bracket into bracket.

Connect seat's connectors on part 5 & seat's receivers on part 2.

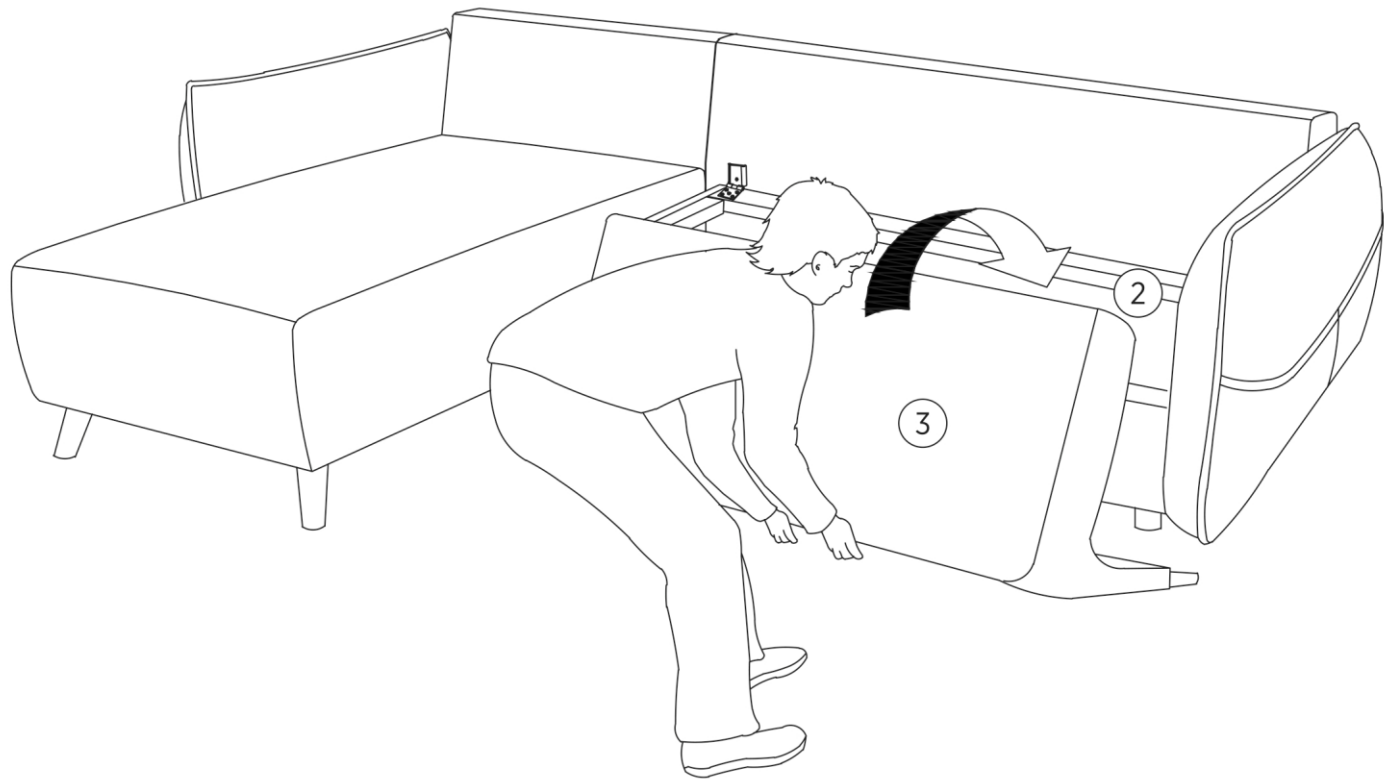
Push down part 5 to part 2 using bracket into bracket., as shown.



ASSEMBLY INSTRUCTIONS

STEP 9

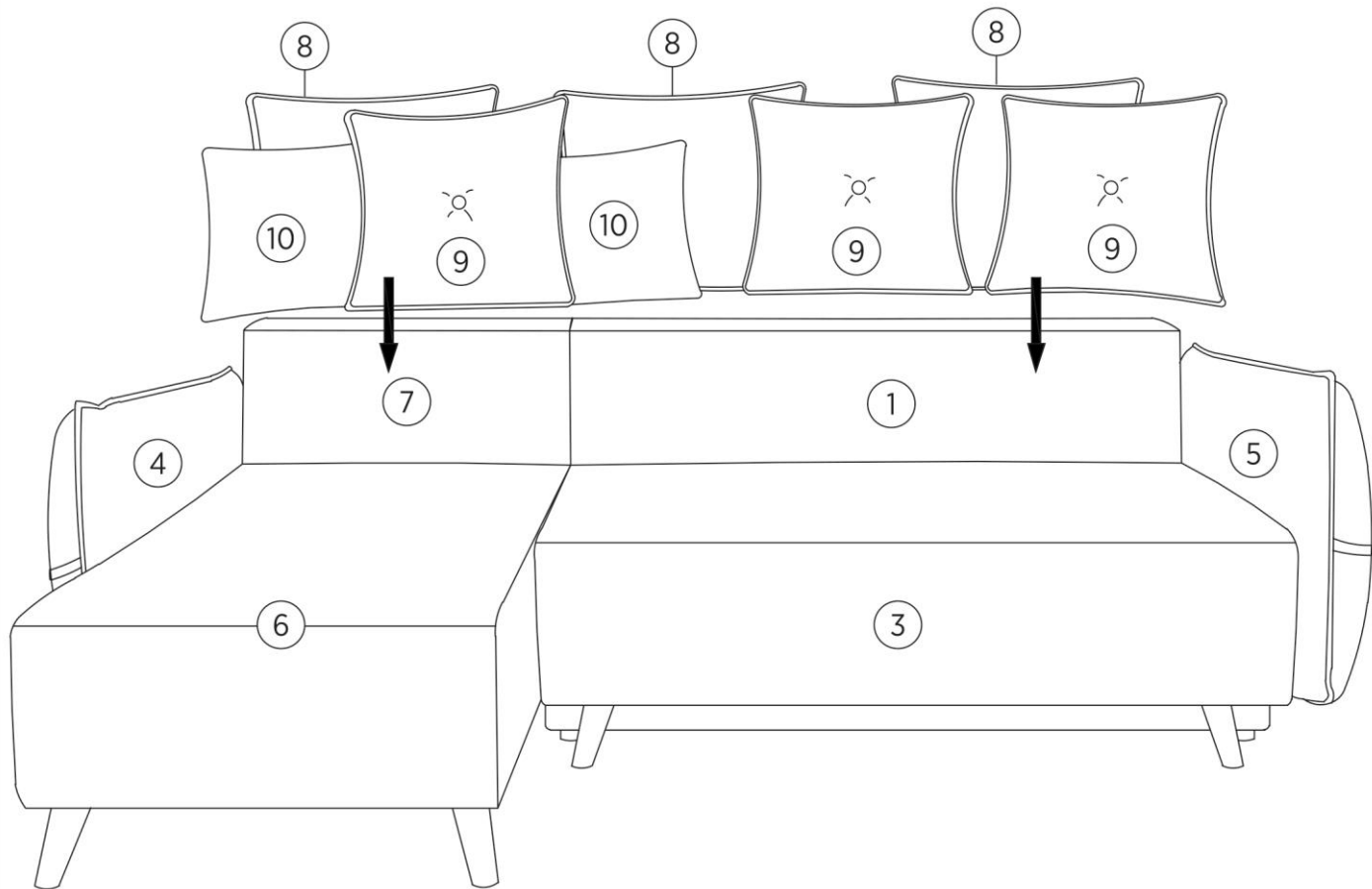
Put part 3 at the top of part 2, as shown.



ASSEMBLY INSTRUCTIONS

STEP 10

Place parts 8, 9 and 10 to assembled unit, as shown.

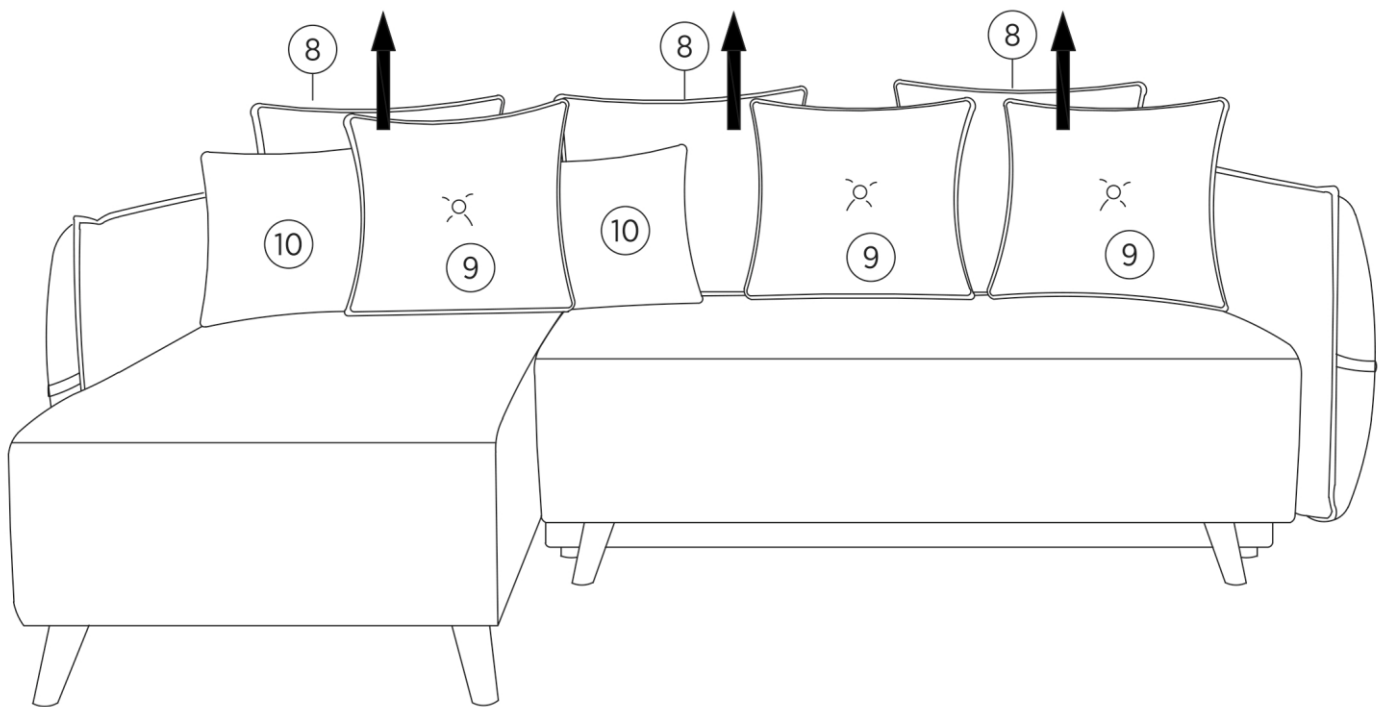


ASSEMBLY INSTRUCTIONS

STEP 11

Bed Position

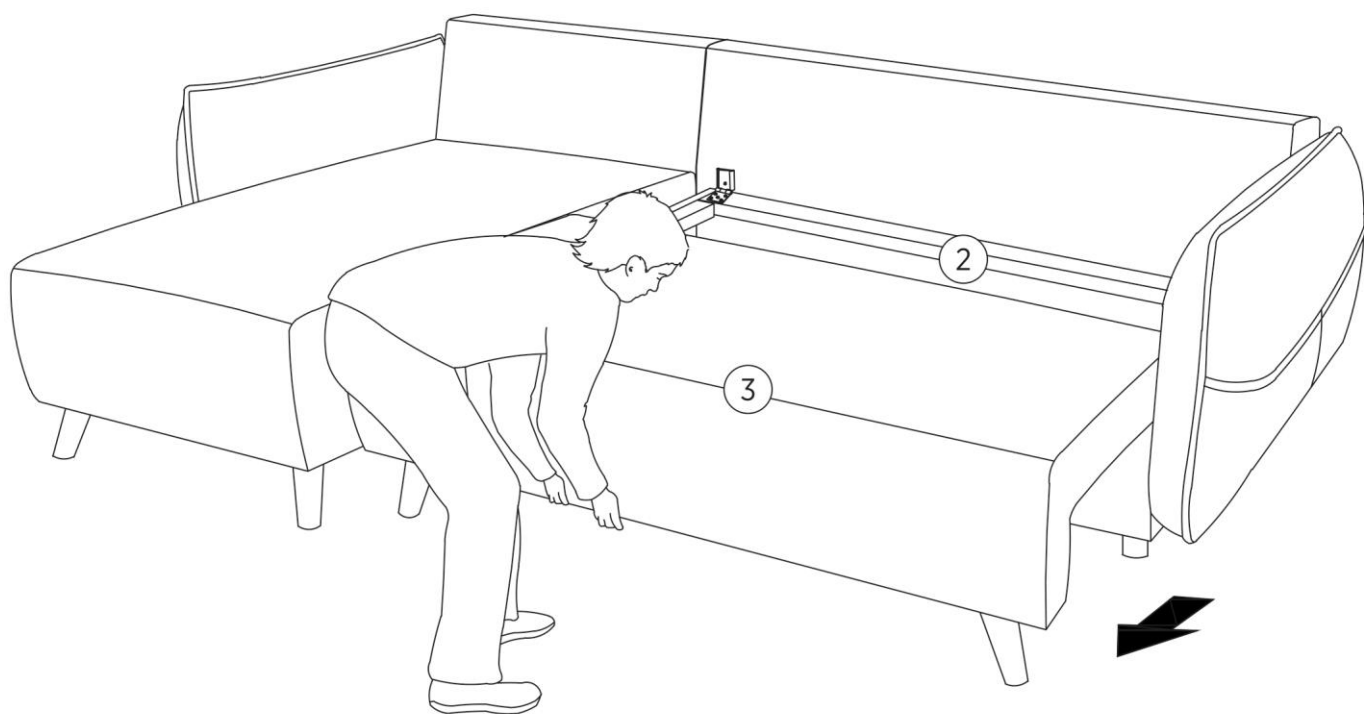
Remove parts 8, 9 and 10, as shown.



ASSEMBLY INSTRUCTIONS

STEP 12

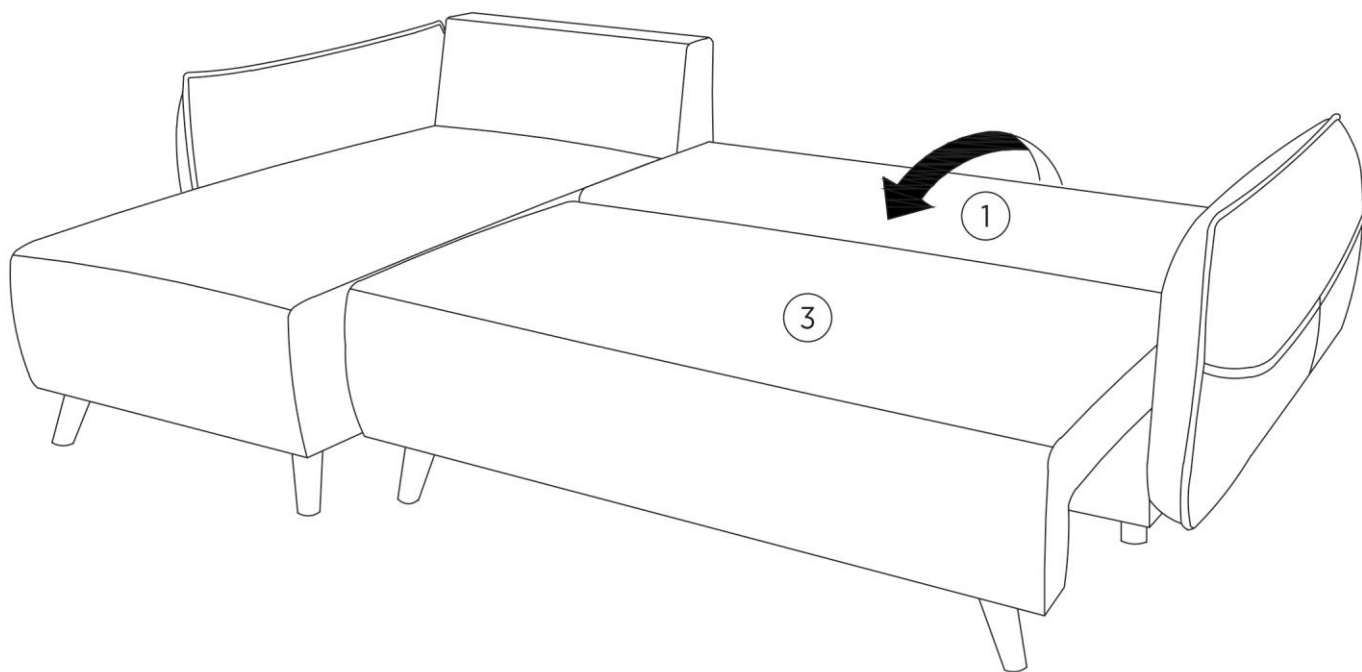
Lift part 3 a little first and then pull part 3 forward, as shown.



ASSEMBLY INSTRUCTIONS

STEP 13

Hold part 1 and tilt forward towards seat until it is in horizontal level with part 3, as shown.



The maximum recommended weight is 300kg.

Your Sofa 3 Seater LH is ready for use.