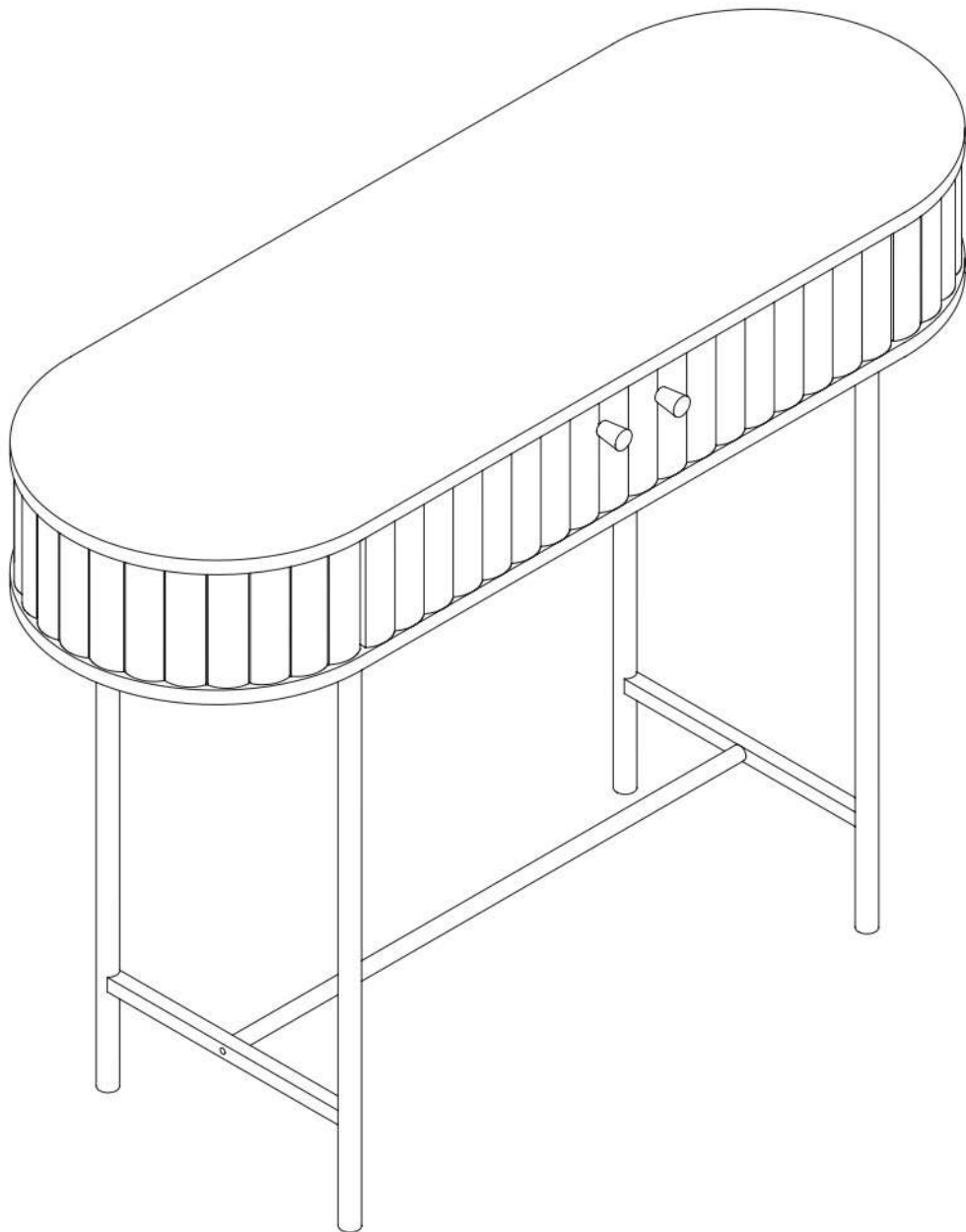


# CONSOLE 2 DOORS

## ASSEMBLY INSTRUCTIONS



# TIPS BEFORE YOU START

---

1. Please check that all parts are present before you start the assembly of your furniture.
2. For ease and speed of assembly, we recommend that before you commence each step of the assembly, that you identify all the parts required for that step.
3. For larger items, please ensure that you have sufficient space and people to assemble your product safely.
4. We recommend that, where possible, all items are assembled near to the area in which they will be placed in use, to avoid moving the product unnecessarily once assembled.
5. For the protection of your furniture, we recommend that the product is placed on a protected surface during assembly to prevent any damage.
6. During assembly please take care not to over-tighten any fittings, as this may damage the product. Do not use power tools.
7. Always place the product on a flat, steady and stable surface.
8. Do not stand on the product. Do not use the product as a stepladder.
9. This product is intended for indoor, household use only as it is a non-industrial product.
10. Please use caution and care when lifting the product to avoid personal injury and/or product damage.

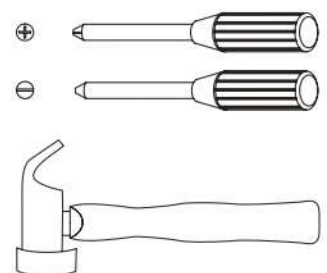
## CARE AND MAINTENANCE OF YOUR FURNITURE

- ☑ Please periodically check all fittings and re-tighten as necessary.
- ☑ To clean your item, please use a damp cloth and wipe clean.
- ☑ To clean glass, please use glass cleaner.
- ☑ Never allow any kind of liquid to remain on your furniture. Absorption can cause wood to warp or finishes to de-laminate.
- ☑ Please do not place hot items (eg. hot drinks) directly on to the surface.
- ☑ Please do not drag and pull your furniture.



## ASSEMBLY REQUIREMENTS

- ☑ Equipment: phillips head screwdriver, flat head screwdriver, hammer
- ☑ 2 x adults required
- ☑ 2m x 2m assembly space required
- ☑ 1.5 hour assembly time approx.



# ANTI-TOPPLING WARNING

## CHILDREN HAVE DIED FROM FURNITURE TIPOVER.

- **ALWAYS** secure this furniture with an anchor device
- **NEVER** allow children to stand, climb or hang on drawers, doors or shelves
- **NEVER** open more than one drawer at a time
- **NEVER** put a TV on this furniture
- Place heavy items down low

**For more information, visit <https://www.productsafety.gov.au>**

**WARNING**



**Children have died from furniture tipover.**

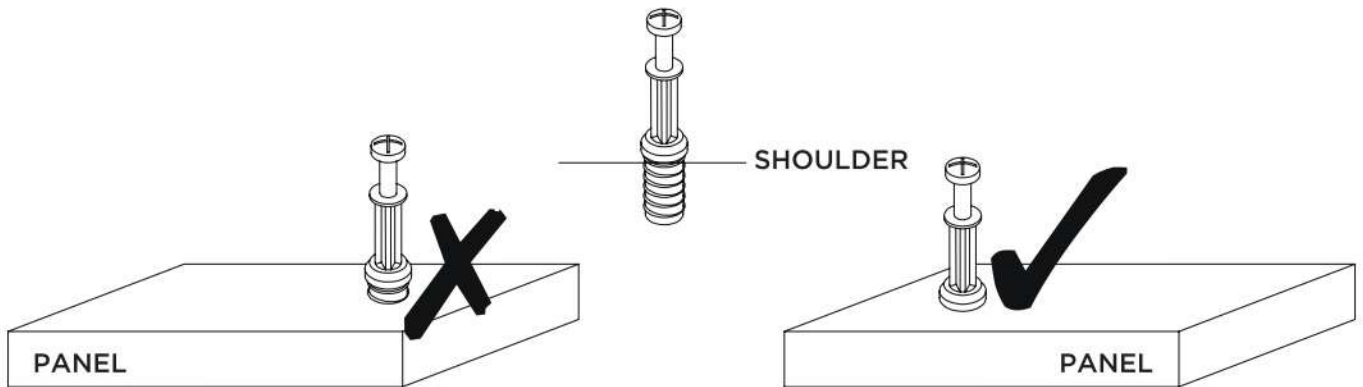
- ALWAYS secure this furniture with an anchor device.
- NEVER allow children to stand, climb or hang on drawers, doors, or shelves.
- NEVER open more than one drawer at a time.
- Place heavy items down low.

**NEVER put a TV on this furniture** 

# USING CAM LOCK AND QUICKFIT

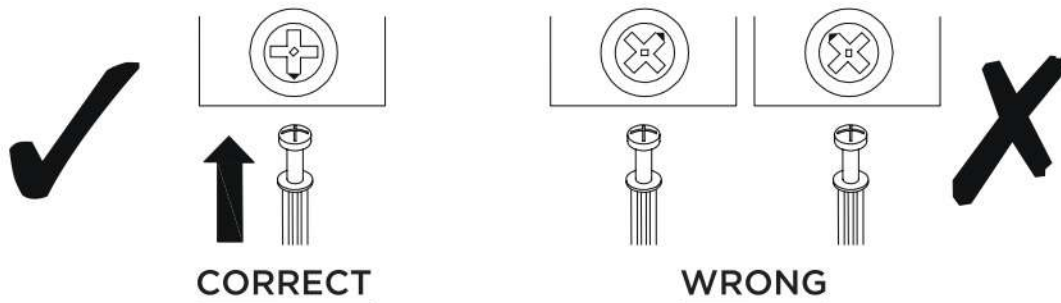
## QUICKFIT

Tighten quickfit until shoulder is flush with panel. Do not overtighten or undertighten.

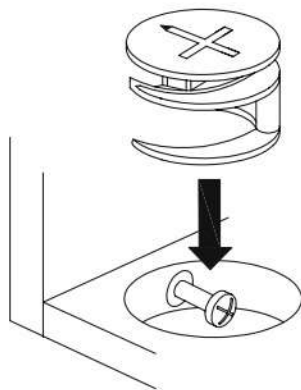


## CAM LOCK

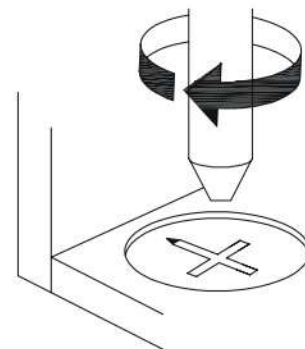
When fitting cam lock, ensure starting position is correct before you insert connecting quickfit.



Quickfit head should be in the centre of the cam lock when the two panels are joined.  
Cam lock should be inserted before quickfit.



Turn cam lock clockwise to tighten.



# HARDWARE LIST

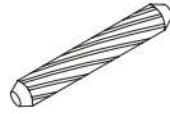
---



8 x A  
Quickfit  
Screw



8 x B  
Cam Lock



20 x C  
Wooden Dowel



2 x D  
Screw



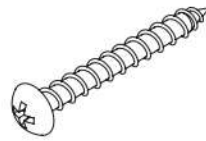
10 x E  
Screw



6 x F  
Bolt



1 x G  
Allen Key



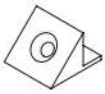
4 x H  
Screw



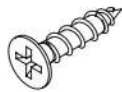
4 x I  
Screw



2 x J  
Screw



8 x K  
Wedge



12 x L  
Screw



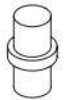
2 x M  
Door Stopper



2 x N  
Bracket



2 x O  
Handle



4 x P  
Shelf Pin



2 x Q  
Wall Plug



2 x R  
Wall Bracket



2 x S  
Screw



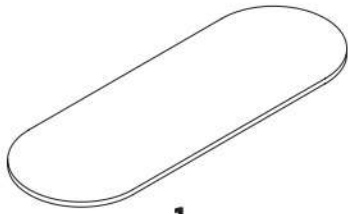
4 x T  
Bolt



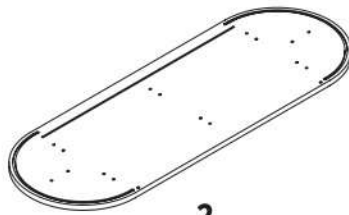
4 x U  
Bolt

# PARTS LIST

---



**1**  
1 PC



**2**  
1 PC



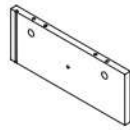
**3**  
1 PC



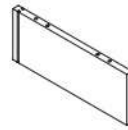
**4**  
1 PC



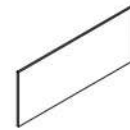
**5**  
1 PC



**6**  
1 PC



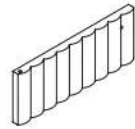
**7**  
1 PC



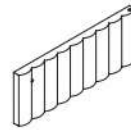
**8**  
2 PCS



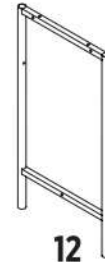
**9**  
2 PCS



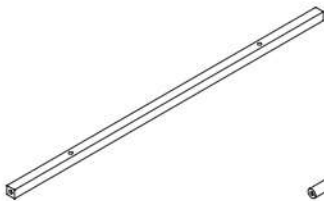
**10**  
1 PC



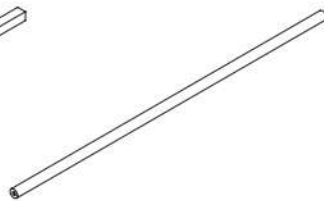
**11**  
1 PC



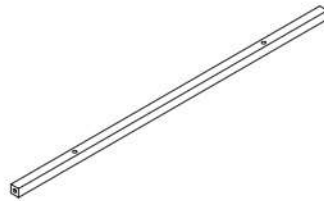
**12**  
2 PCS



**13**  
1 PC



**14**  
1 PC



**15**  
1 PC



**16**  
2 PCS

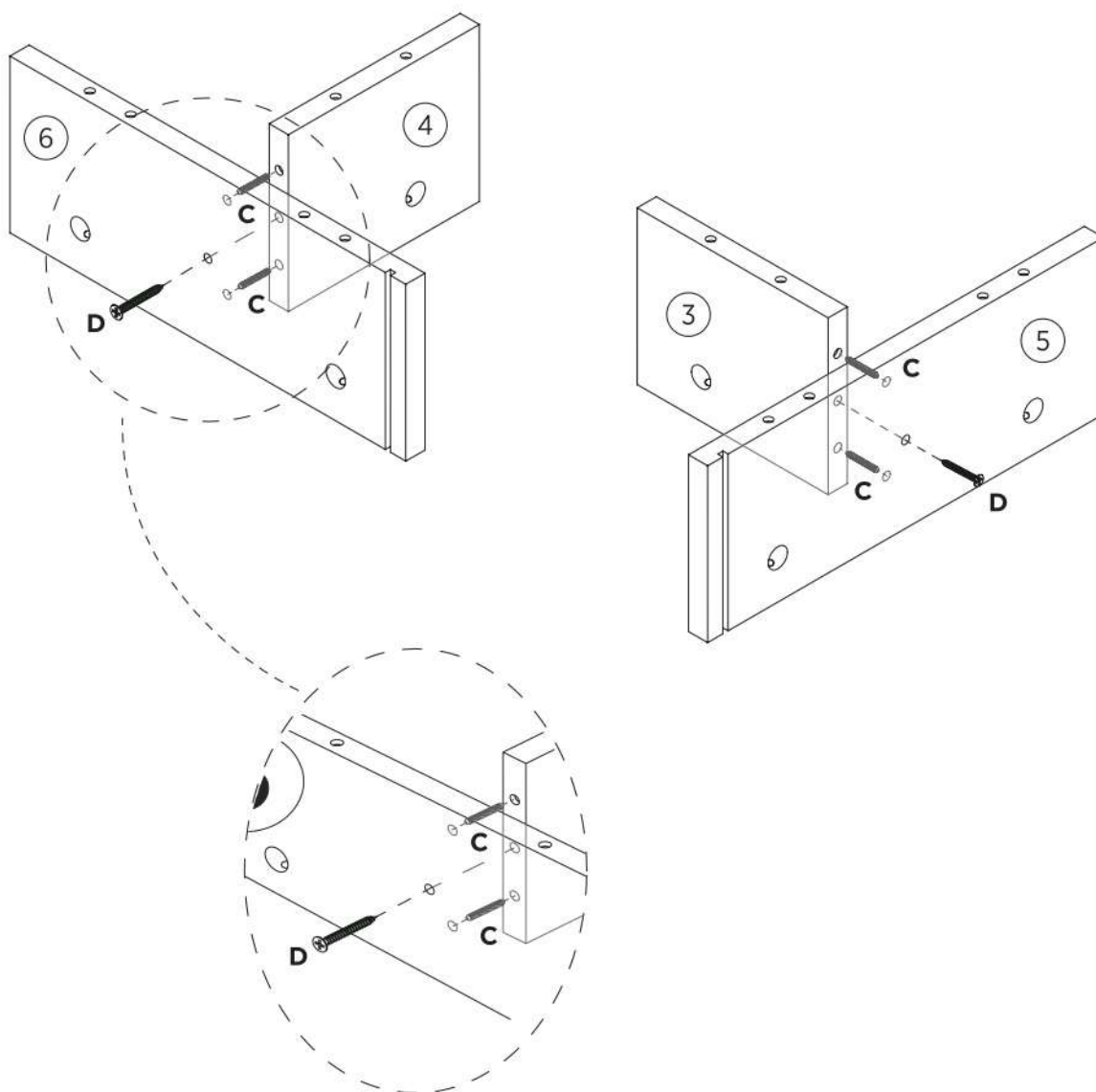
# ASSEMBLY INSTRUCTIONS

## STEP 1

Insert wooden dowels (C) to parts 5 and 6.

Fix parts 5 to part 3 using screws (D).

Fix part 6 to part 4 using screws (D), as shown.

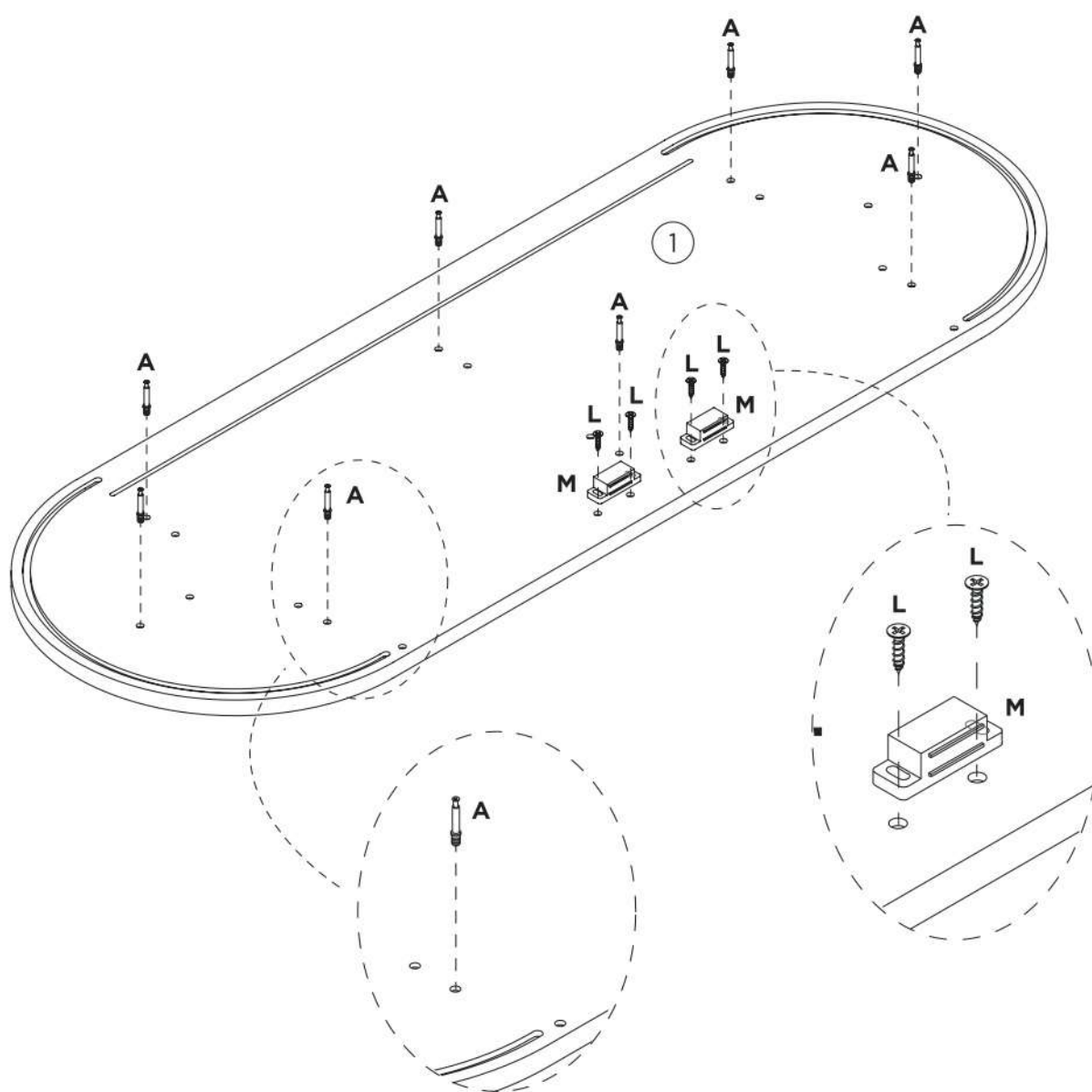
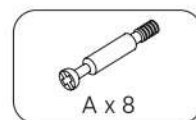


# ASSEMBLY INSTRUCTIONS

## STEP 2

Insert quickfit screws (A) to part 1.

Fix door stopper (M) to part 1 using screws (L), as shown.



# ASSEMBLY INSTRUCTIONS

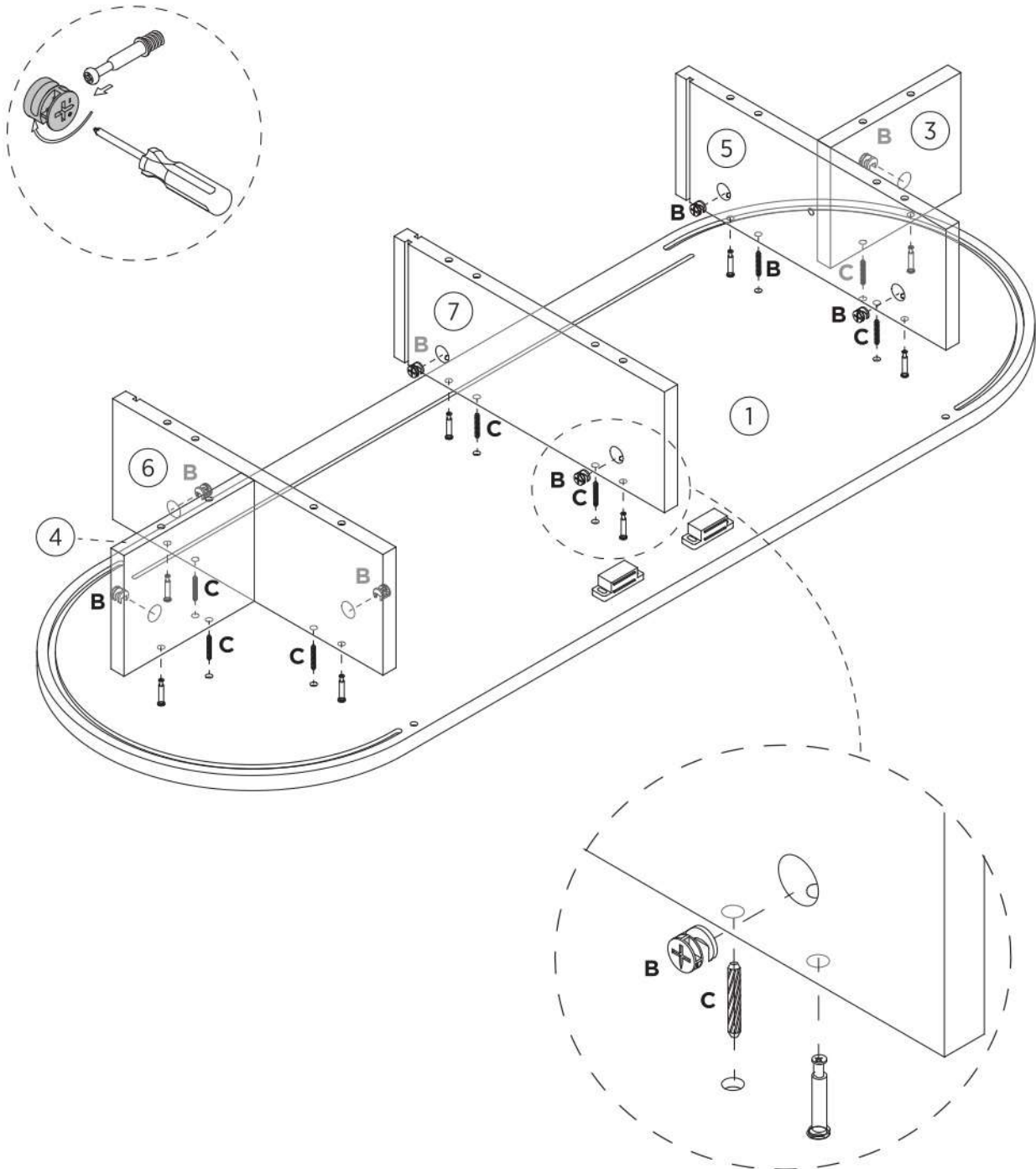
## STEP 3

Insert cam locks (B) to parts 3, 4, 5, 6 and 7.

Insert wooden dowels (C) to parts 1.

Attach parts 3, 4, 5, 6 and 7 to part 1, as shown.

Turn cam locks clockwise to tighten.

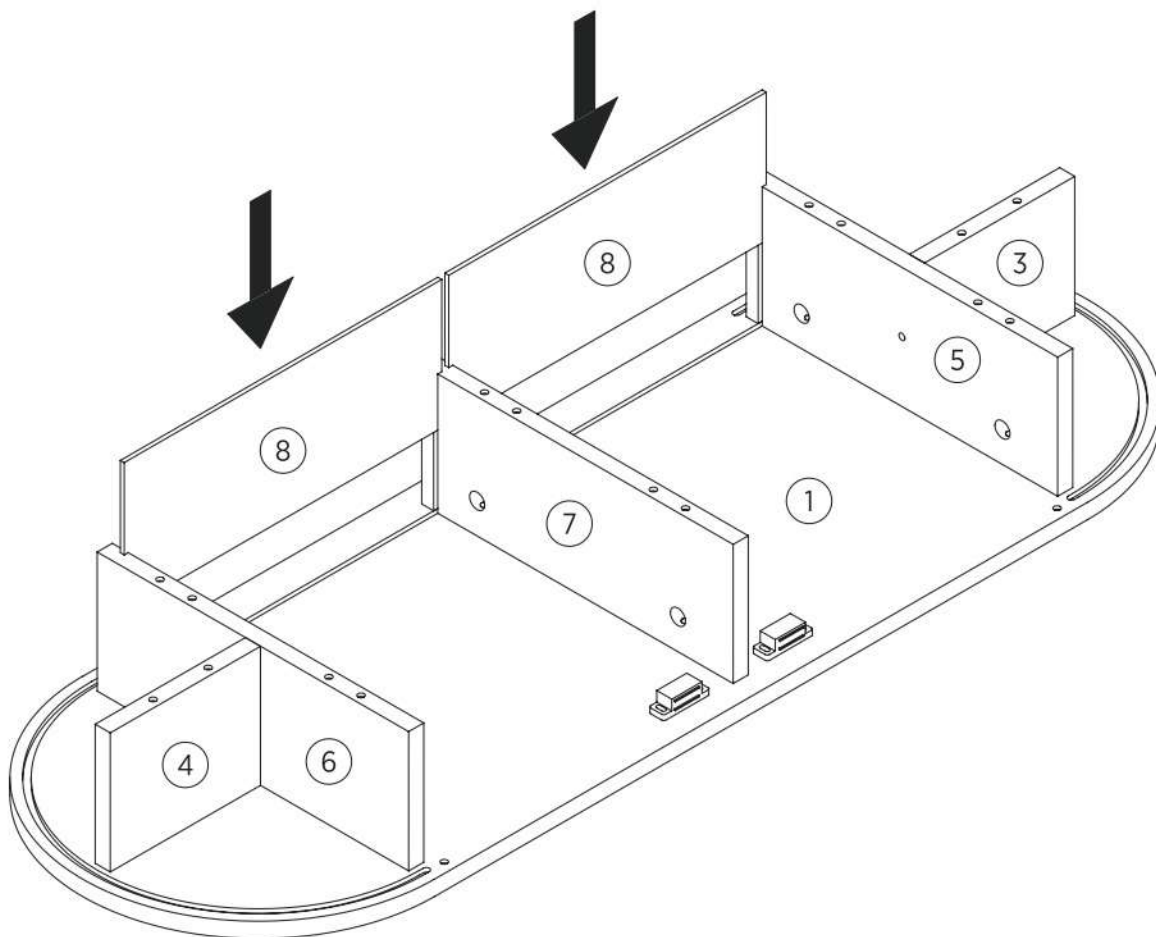


# ASSEMBLY INSTRUCTIONS

---

## STEP 4

Insert parts 8 into grooves between parts 5, 6 and 7, as shown.

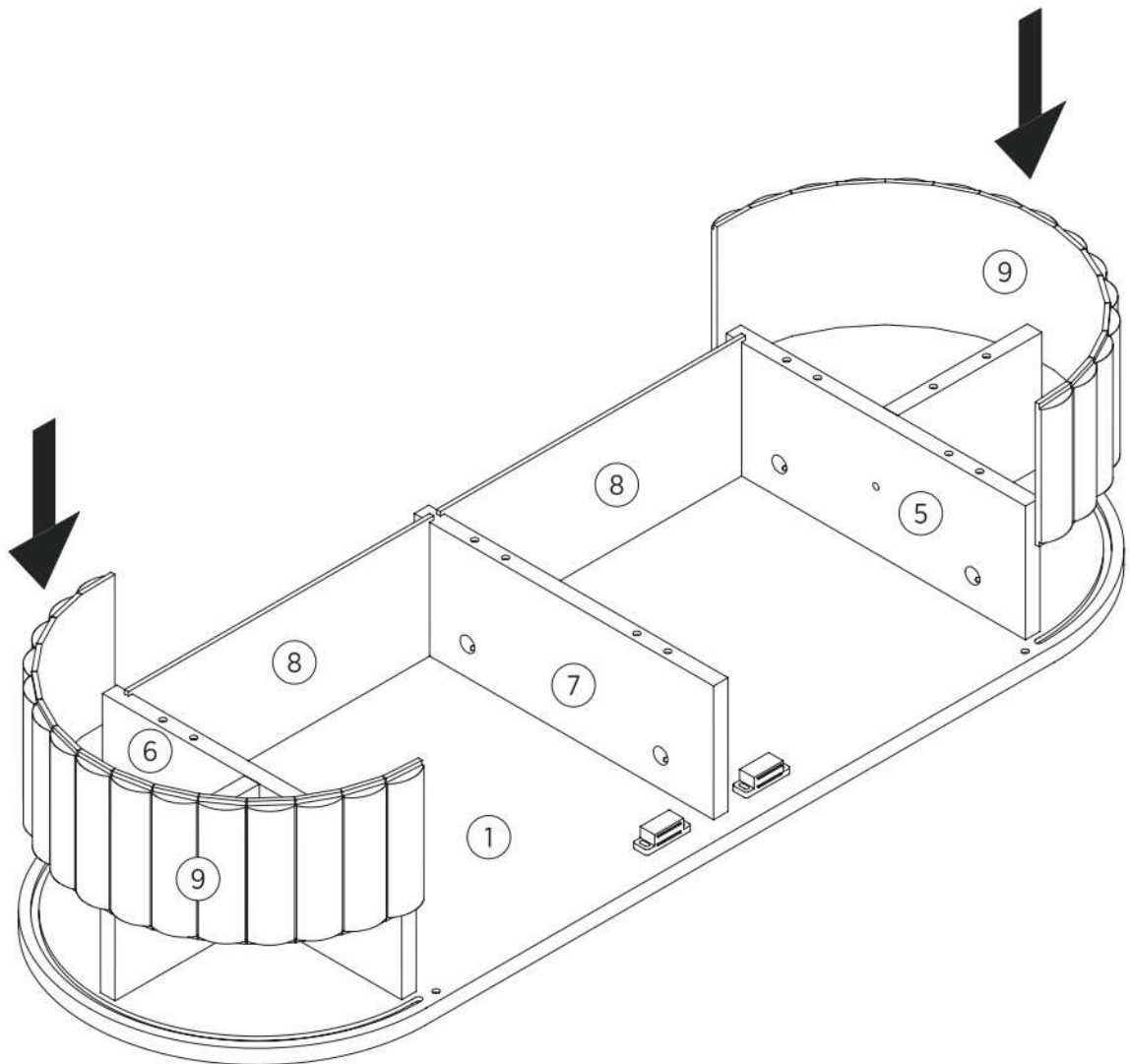


# ASSEMBLY INSTRUCTIONS

---

## STEP 5

Insert parts 9 into grooves between parts 5 and 6 to part 1, as shown.

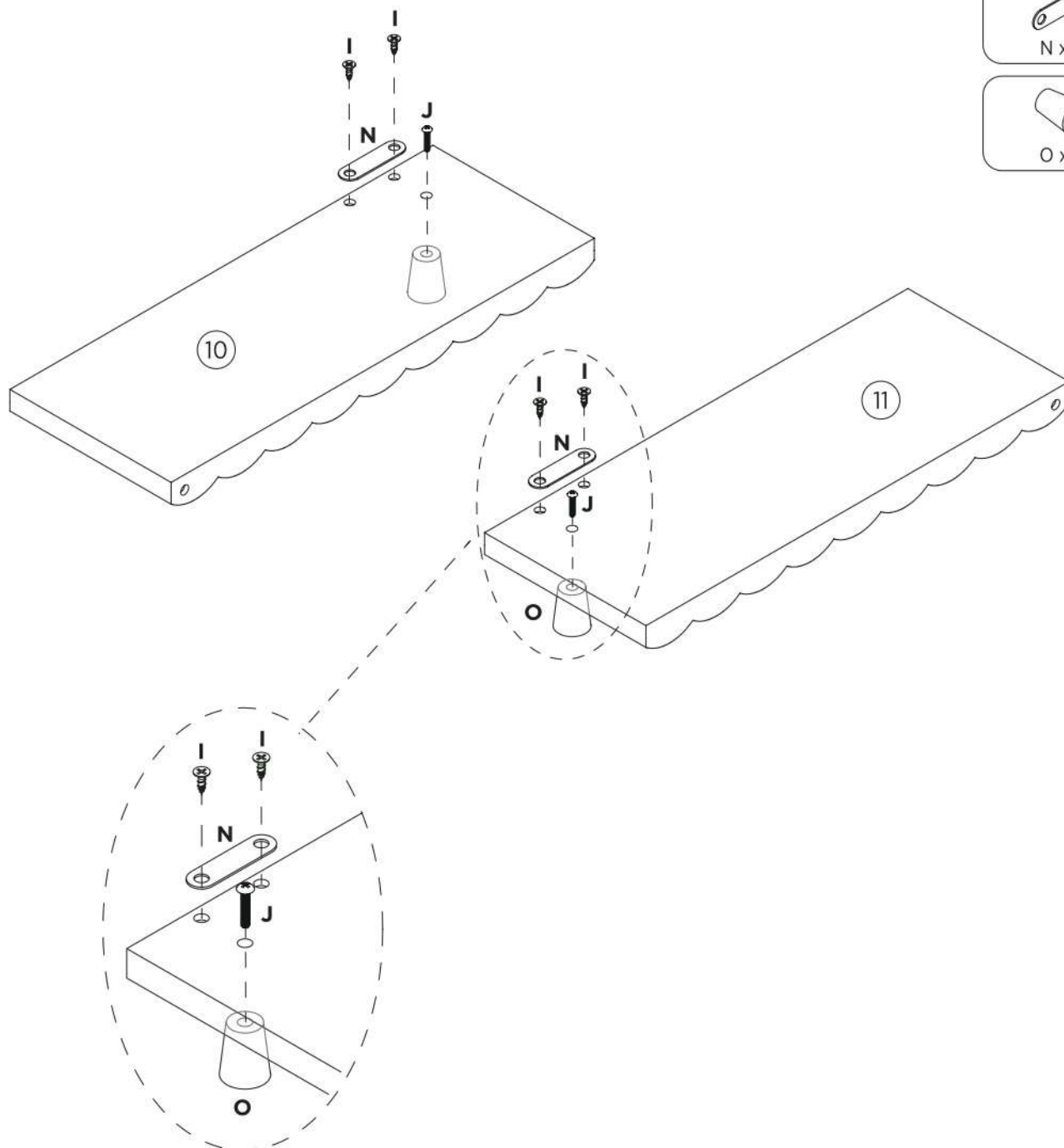
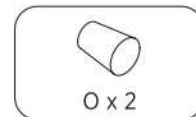
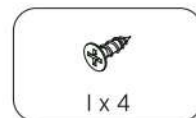


# ASSEMBLY INSTRUCTIONS

## STEP 6

Fix brackets (N) to parts 10 and 11 using screws (I).

Fix handles (O) to parts 10 and 11 using screws (J), as shown.





# ASSEMBLY INSTRUCTIONS

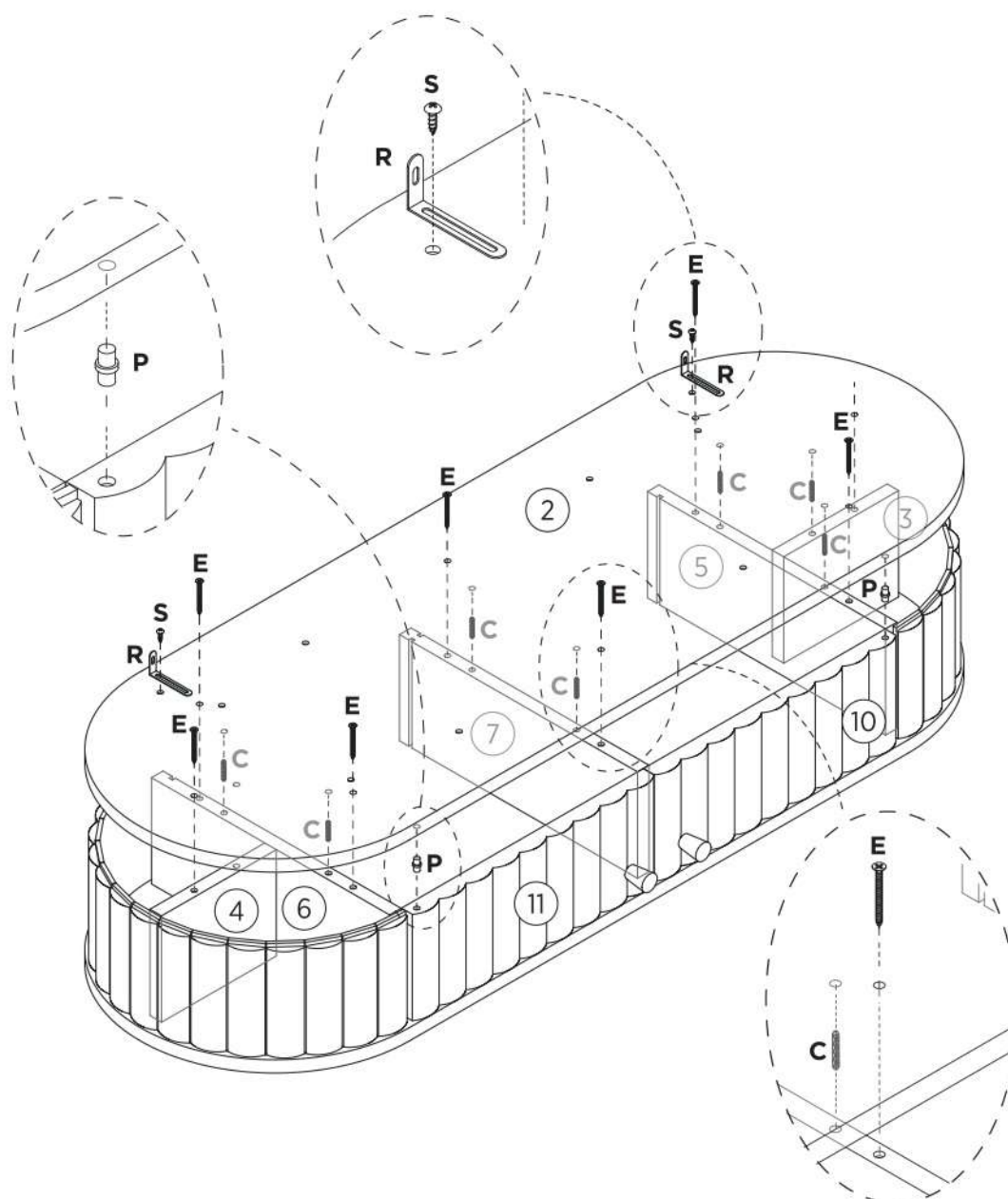
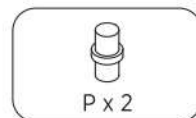
## STEP 8

Fix wall brackets (R) to part 2 using screws (S)

Fix shelf pins (P) to parts 10 and 11.

Insert wooden dowels (C) to parts 3, 4, 5, 6 and 7.

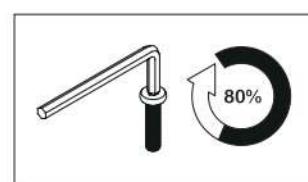
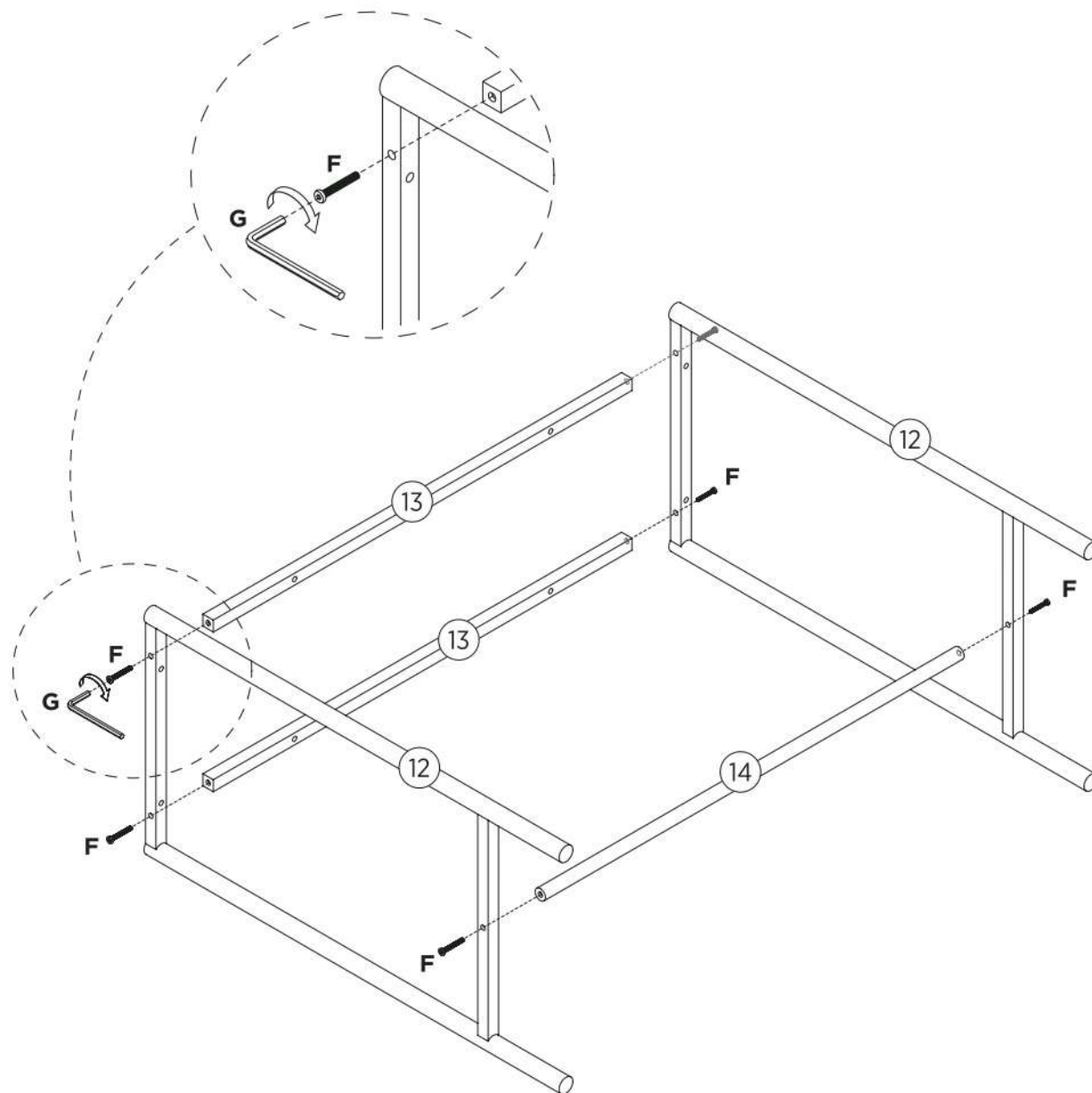
Attach part 2 to the assembled unit using screws (E), as shown.



# ASSEMBLY INSTRUCTIONS

## STEP 9

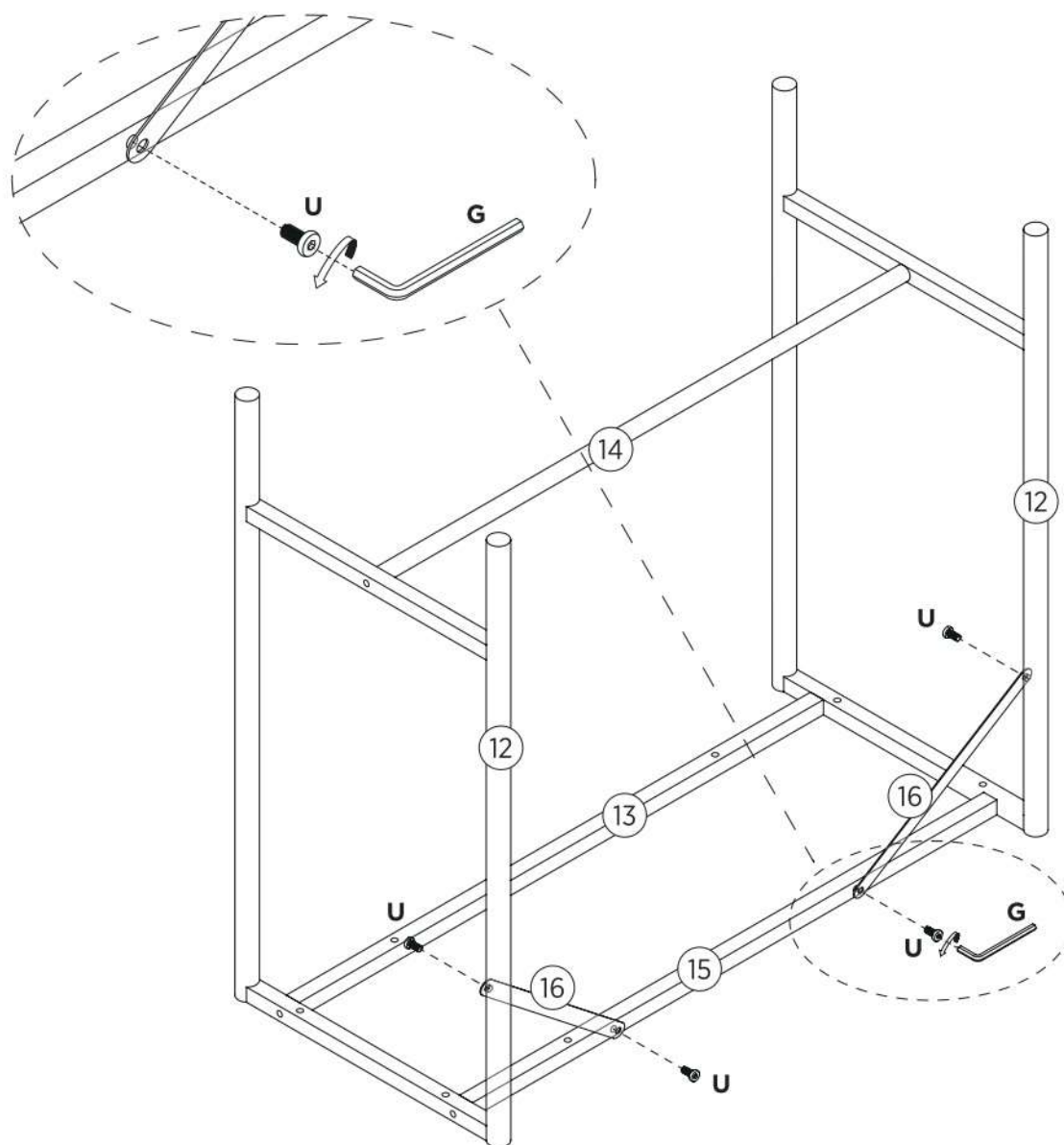
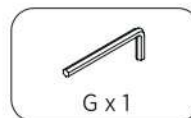
Fix parts 13 and 14 to parts 12 using bolts (F) and allen key (G), as shown.



# ASSEMBLY INSTRUCTIONS

## STEP 10

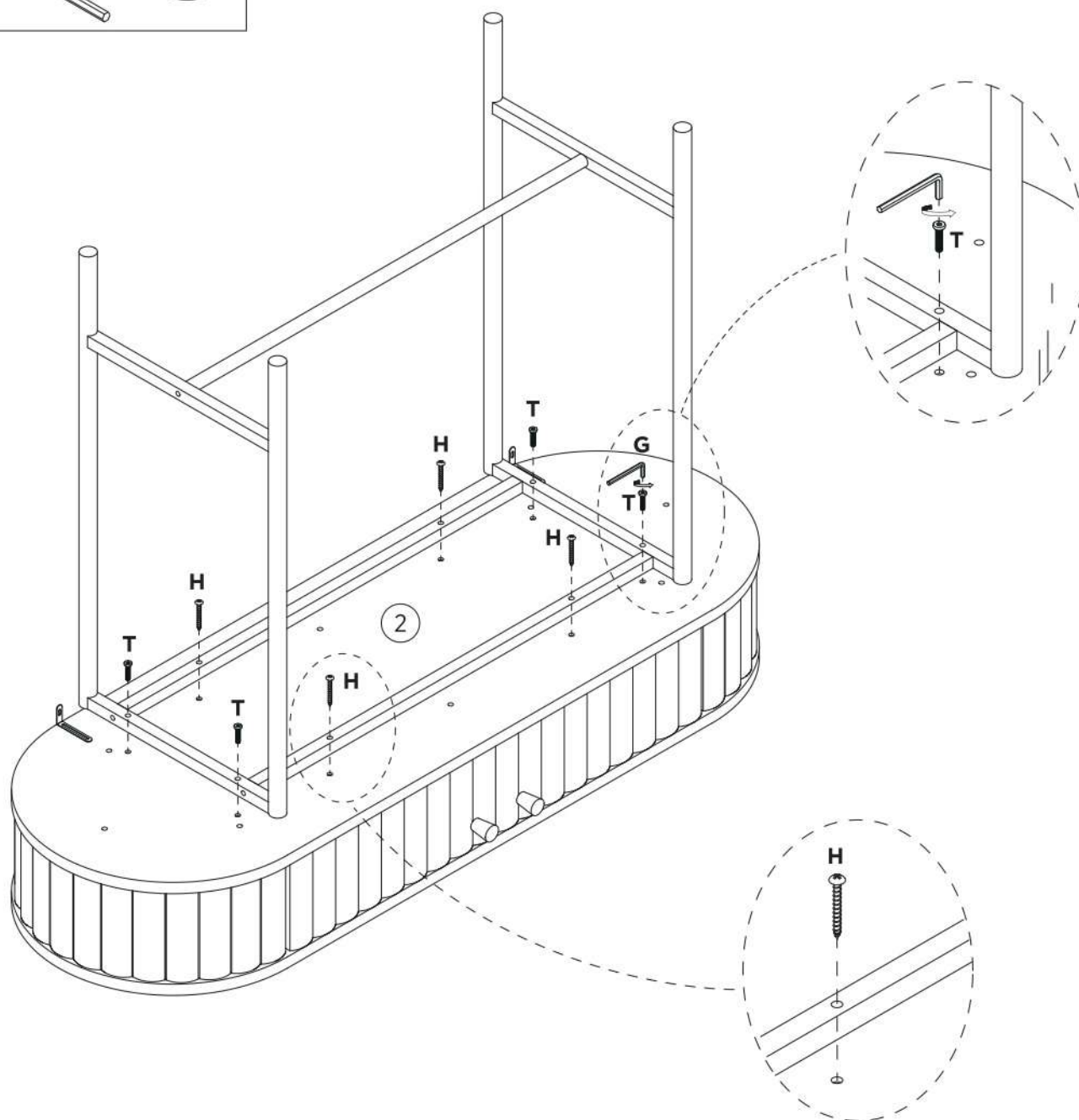
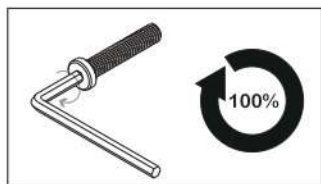
Fix parts 16 to parts 12 and 15 using screws (U), as shown.



# ASSEMBLY INSTRUCTIONS

## STEP 11

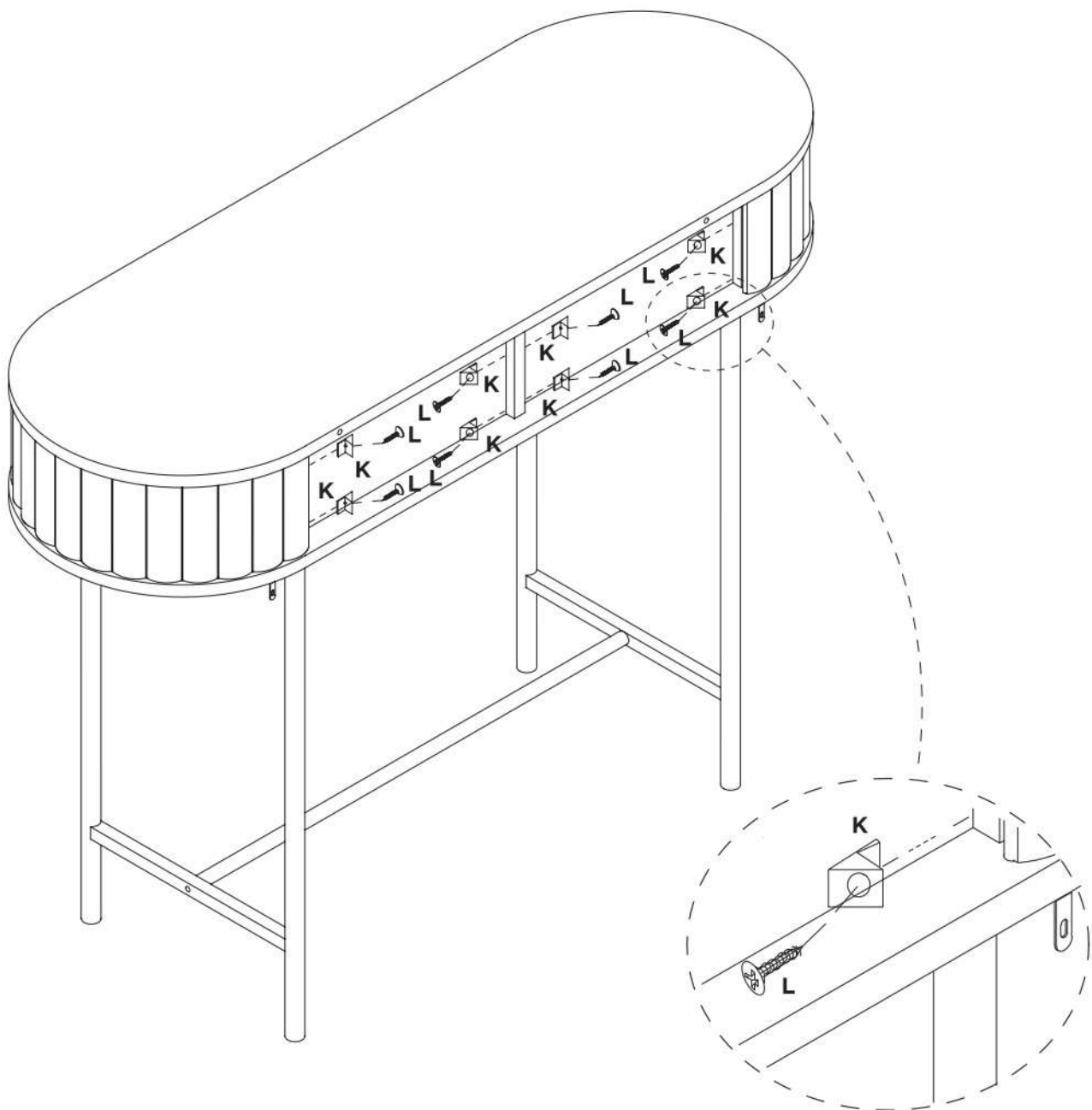
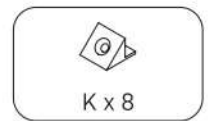
Fix assemble unit to part 2 using allen key (G), screws (K) and bolts (T), as shown.



# ASSEMBLY INSTRUCTIONS

## STEP 12

To secure parts 8, fix wedges (K) using screws (L), as shown.



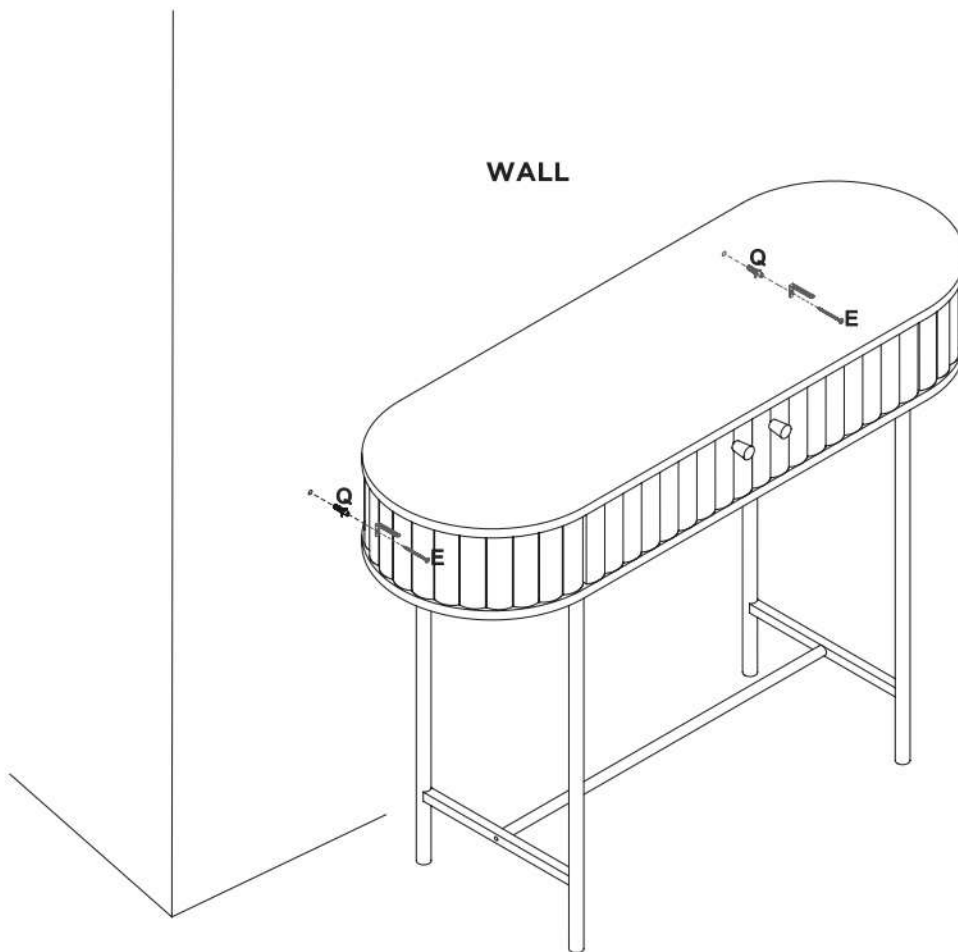
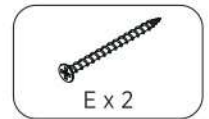
# ASSEMBLY INSTRUCTIONS

## STEP 13

**For extra stability, you must fix your chest to the wall using the additional hardware (E) and (Q), as shown.**

**Screw (E) is fixed through wall brackets (R) and into the wall plugs (Q).**

**Should you choose not to affix the product to the wall, serious injury may be caused if the product tips over.**



**WARNING**



**Children have died from furniture tipover.**

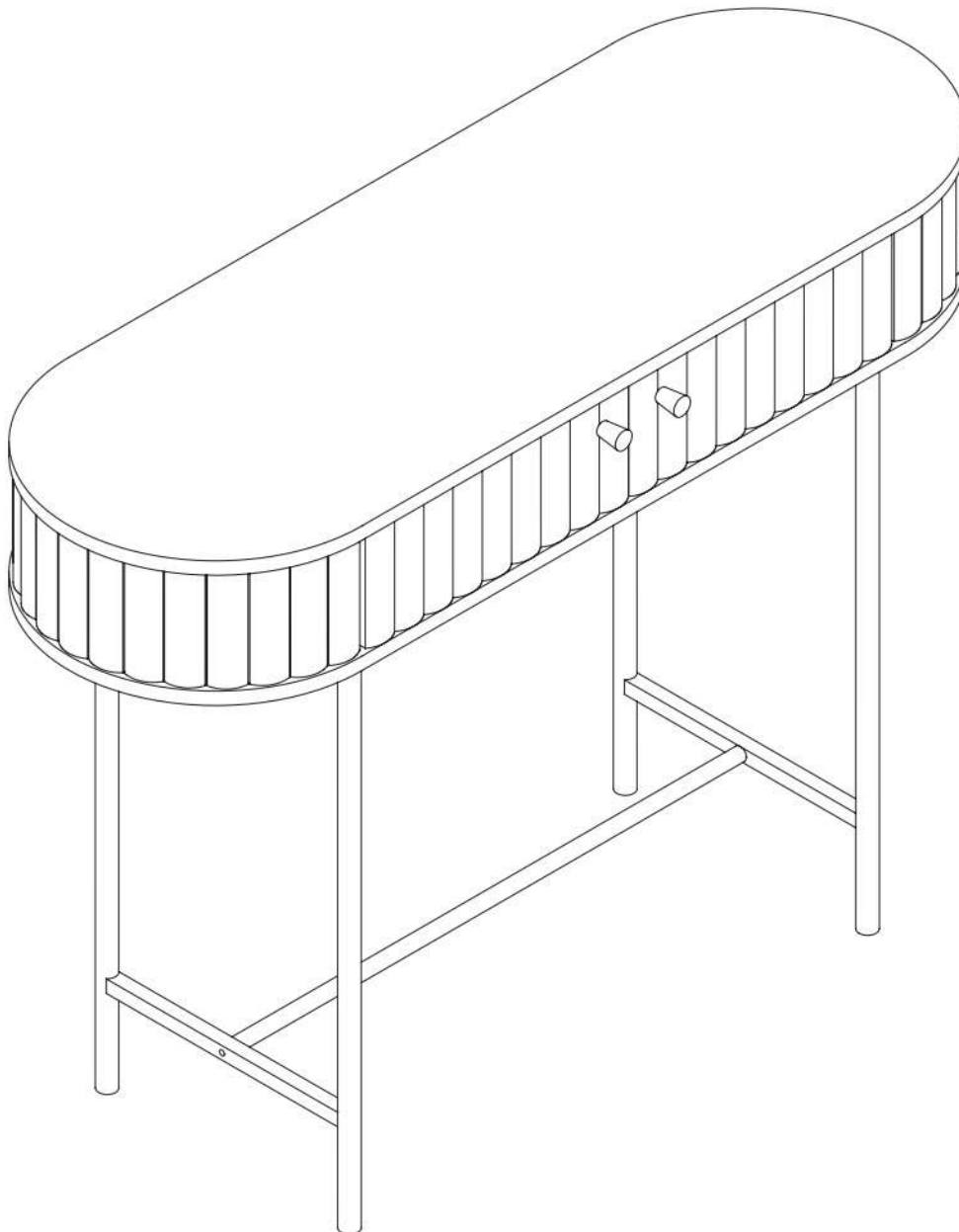
- ALWAYS secure this furniture with an anchor device.
- NEVER allow children to stand, climb or hang on drawers, doors, or shelves.
- NEVER open more than one drawer at a time.
- Place heavy items down low.

NEVER put a TV on this furniture 

# ASSEMBLY INSTRUCTIONS

---

## STEP 14



**Please note: the maximum recommended weight is 40kg for top and 5kg inside each storage.**

Your Console 2 Doors is ready for use.