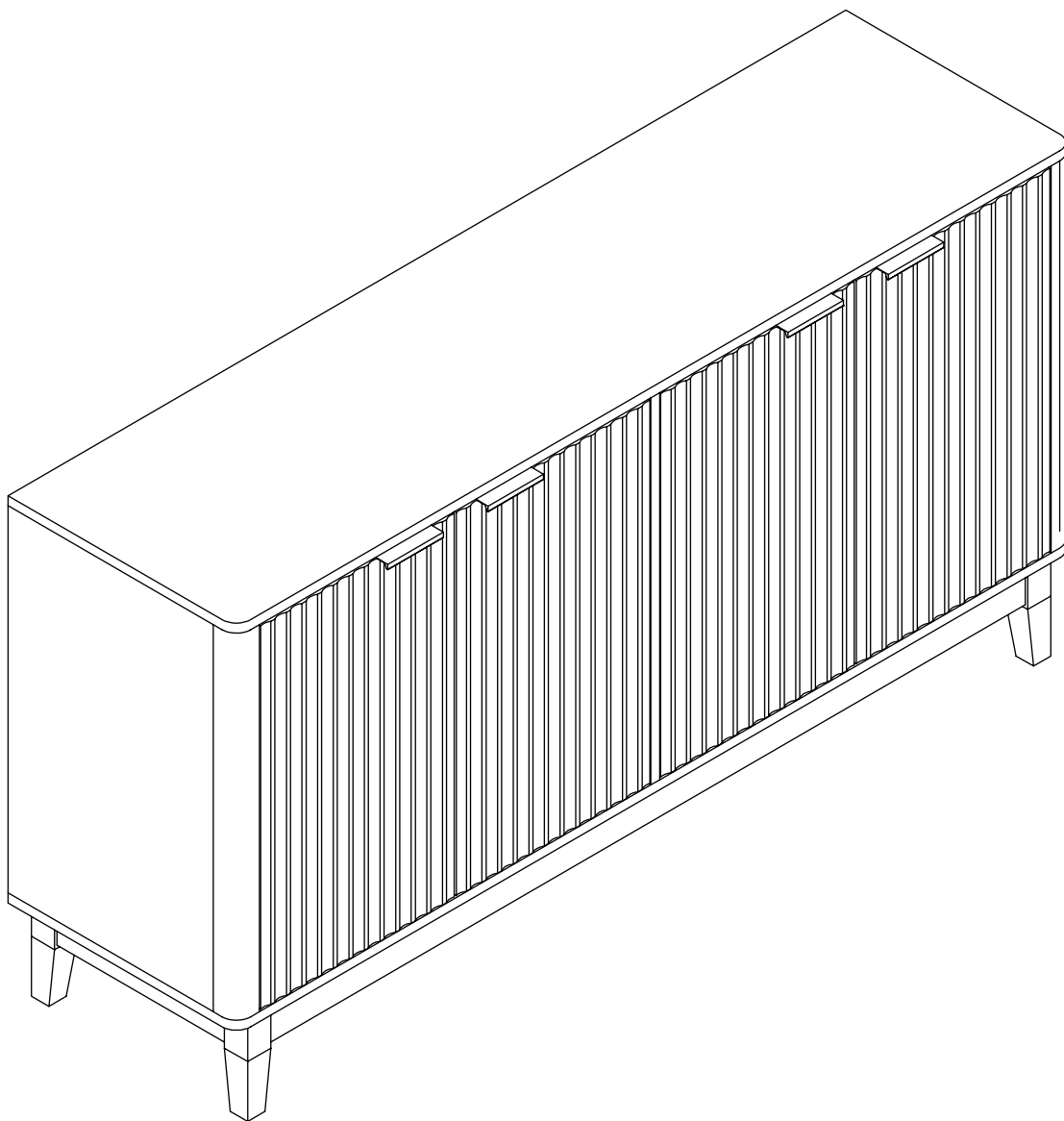


# **BUFFET 4 DOORS**

## ASSEMBLY INSTRUCTIONS



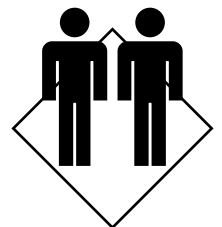
# TIPS BEFORE YOU START

---

1. Please check that all parts are present before you start the assembly of your furniture.
2. For ease and speed of assembly, we recommend that before you commence each step of the assembly, that you identify all the parts required for that step.
3. For larger items, please ensure that you have sufficient space and people to assemble your product safely.
4. We recommend that, where possible, all items are assembled near to the area in which they will be placed in use, to avoid moving the product unnecessarily once assembled.
5. For the protection of your furniture, we recommend that the product is placed on a protected surface during assembly to prevent any damage.
6. During assembly please take care not to over-tighten any fittings, as this may damage the product. Do not use power tools.
7. Always place the product on a flat, steady and stable surface.
8. Do not stand on the product. Do not use the product as a stepladder.
9. This product is intended for indoor, household use only as it is a non-industrial product.
10. Please use caution and care when lifting the product to avoid personal injury and/or product damage.

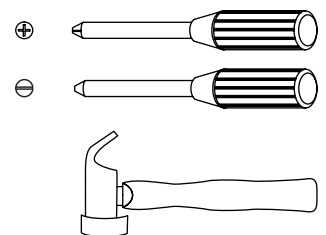
## CARE AND MAINTENANCE OF YOUR FURNITURE

- ✓ Please periodically check all fittings and re-tighten as necessary.
- ✓ To clean your item, please use a damp cloth and wipe clean.
- ✓ To clean glass, please use glass cleaner.
- ✓ Never allow any kind of liquid to remain on your furniture. Absorption can cause wood to warp or finishes to de-laminate.
- ✓ Please do not place hot items (eg. hot drinks) directly on to the surface.
- ✓ Please do not drag and pull your furniture.



## ASSEMBLY REQUIREMENTS

- ✓ Equipment: phillips head screwdriver, flat head screwdriver, hammer
- ✓ 2 x adults required
- ✓ 2m x 2m assembly space required
- ✓ 1 hour assembly time approx.



# ANTI-TOPPLING WARNING

---

## CHILDREN HAVE DIED FROM FURNITURE TIPOVER.

- **ALWAYS** secure this furniture with an anchor device
- **NEVER** allow children to stand, climb or hang on drawers, doors or shelves
- **NEVER** open more than one drawer at a time
- **NEVER** put a TV on this furniture
- Place heavy items down low

**For more information, visit <https://www.productsafety.gov.au>**

 **WARNING**





**Children have died from furniture tipover.**

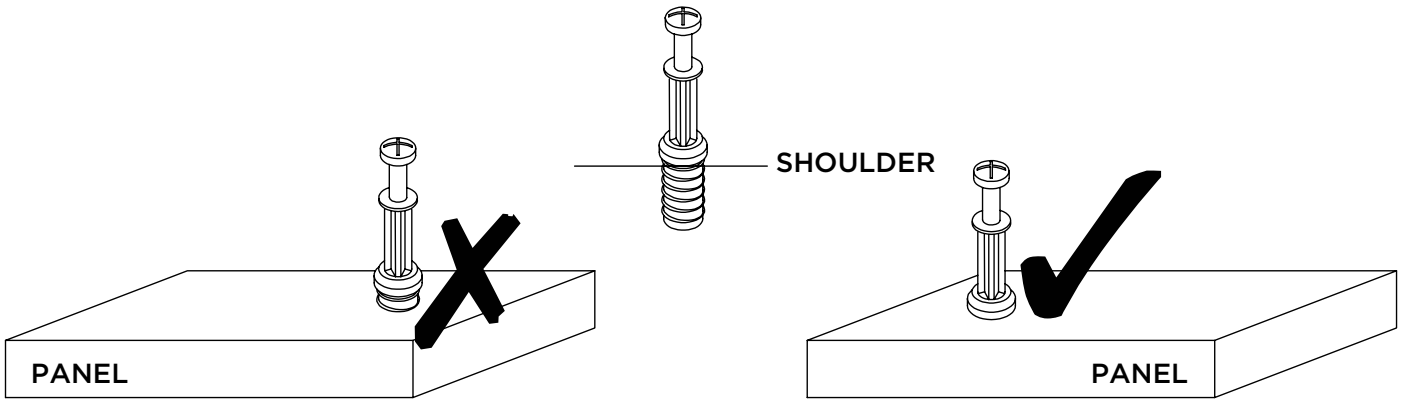
- ALWAYS secure this furniture with an anchor device.
- NEVER allow children to stand, climb or hang on drawers, doors, or shelves.
- NEVER open more than one drawer at a time.
- Place heavy items down low.

**NEVER put a TV on this furniture** 

# USING CAM LOCK AND QUICKFIT

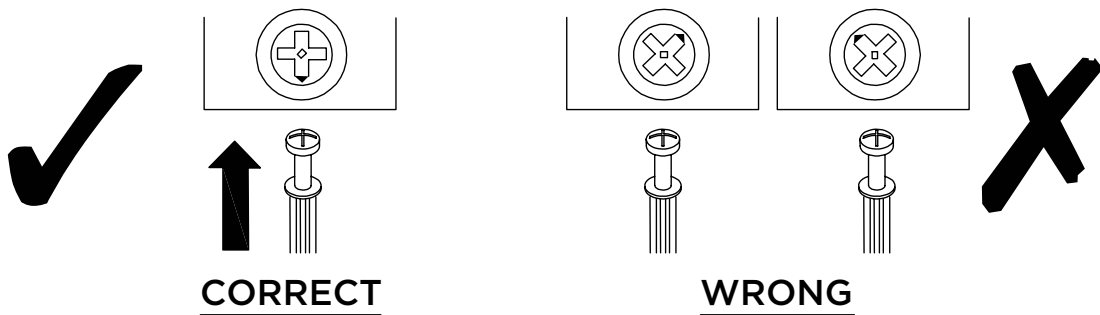
## QUICKFIT

Tighten quickfit until shoulder is flush with panel. Do not overtighten or undertighten.



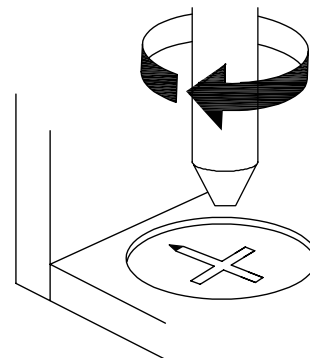
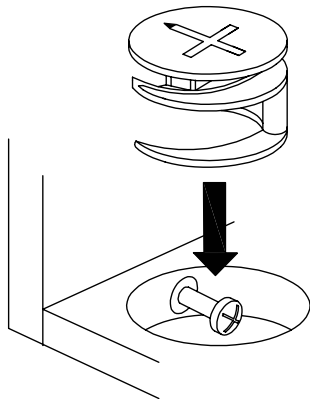
## CAM LOCK

When fitting cam lock, ensure starting position is correct before you insert connecting quickfit.



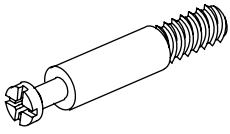
Quickfit head should be in the centre of the cam lock when the two panels are joined.  
Cam lock should be inserted before quickfit.

Turn cam lock clockwise to tighten.

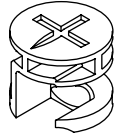


# HARDWARE LIST

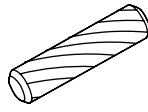
---



42 x A  
Quickfit Screw



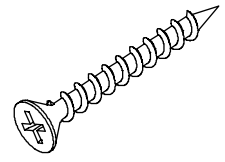
42 x B  
Cam Lock



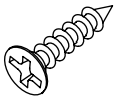
44 x C  
Wooden Dowel



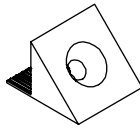
56 x D  
Screw



12 x E  
Screw



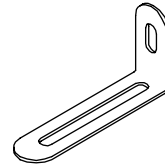
16 x F  
Screw



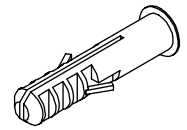
16 x G  
Wedge



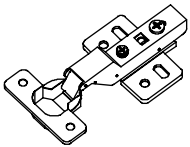
6 x H  
Screw



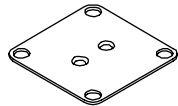
2 x I  
Wall Bracket



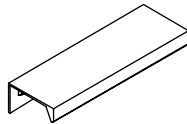
2 x J  
Wall Plug



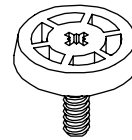
8 x K  
Hinge



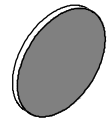
1 x L  
Plate



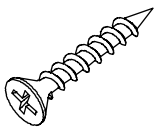
4 x M  
Handle



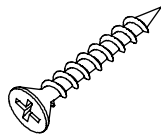
1 x N  
Adjustable Leg



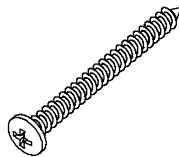
6 x O  
Sticker



16 x P  
Screw



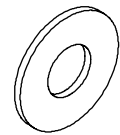
8 x Q  
Screw



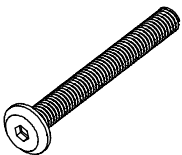
4 x R  
Screw



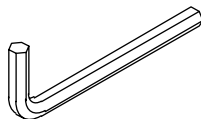
8 x S  
Split Lock  
Washer



8 x T  
Washer



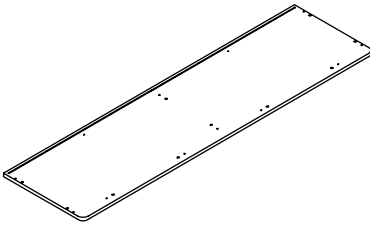
8 x U  
Bolt



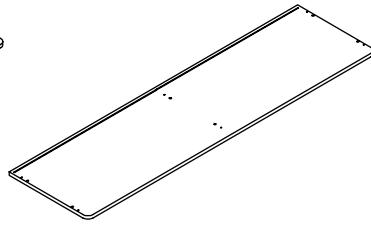
1 x V  
Allen Key

# PARTS LIST

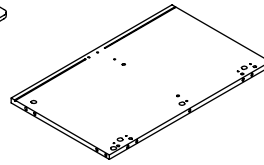
---



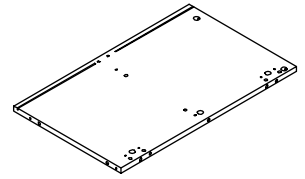
**1**  
1 PC



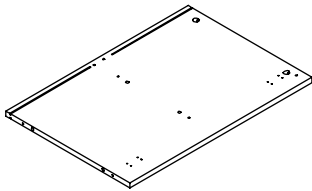
**2**  
1 PC



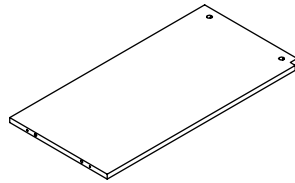
**3**  
1 PC



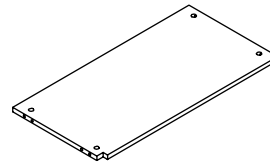
**4**  
1 PC



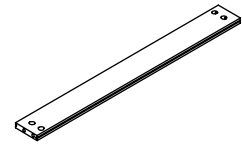
**5**  
1 PC



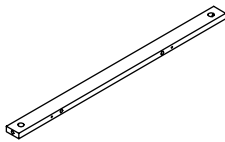
**6**  
1 PC



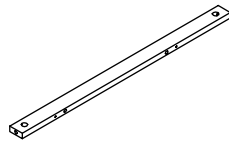
**7**  
1 PC



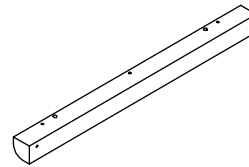
**8**  
2 PCS



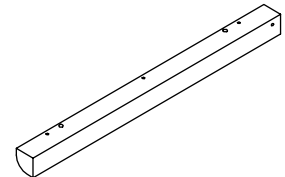
**9**  
1 PC



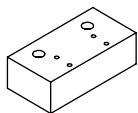
**10**  
1 PC



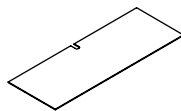
**11**  
1 PC



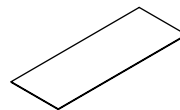
**12**  
1 PC



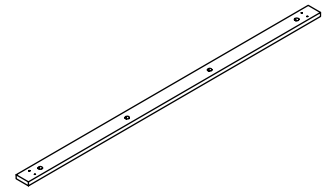
**13**  
4 PCS



**14**  
2 PCS



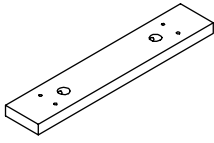
**15**  
2 PCS



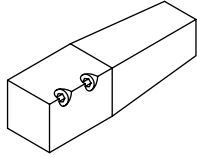
**16**  
2 PCS

# PARTS LIST

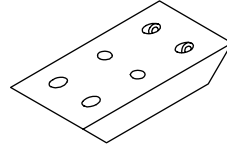
---



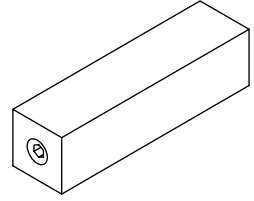
**17**  
2 PCS



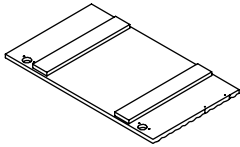
**18**  
4 PCS



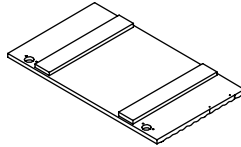
**19**  
4 PCS



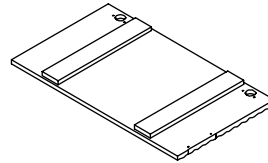
**20**  
1 PC



**21**  
1 PC



**22**  
1 PC

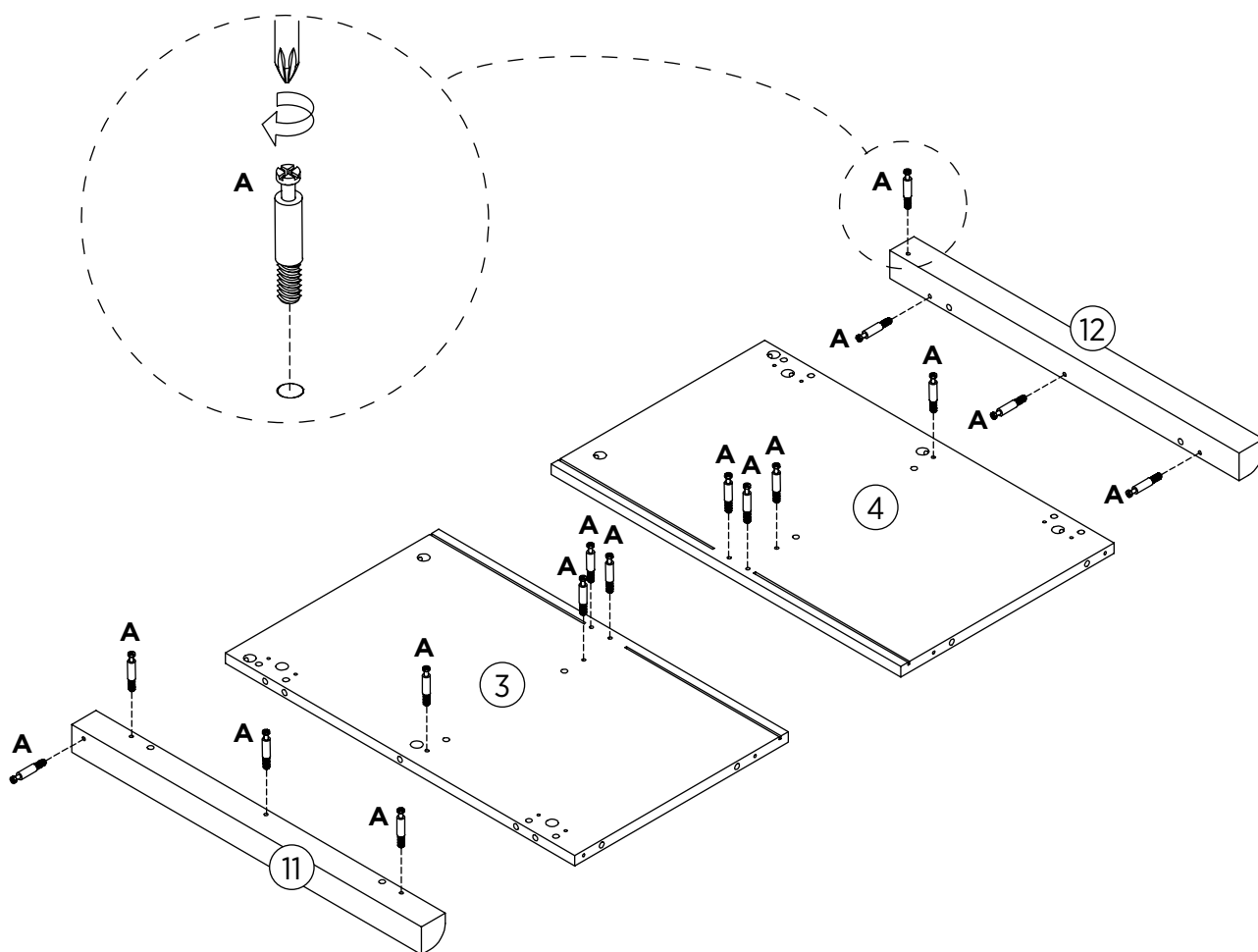
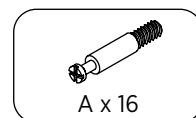


**23**  
2 PCS

# ASSEMBLY INSTRUCTIONS

## STEP 1

Insert quickfit screws (A) to parts 3, 4, 11 and 12, as shown.



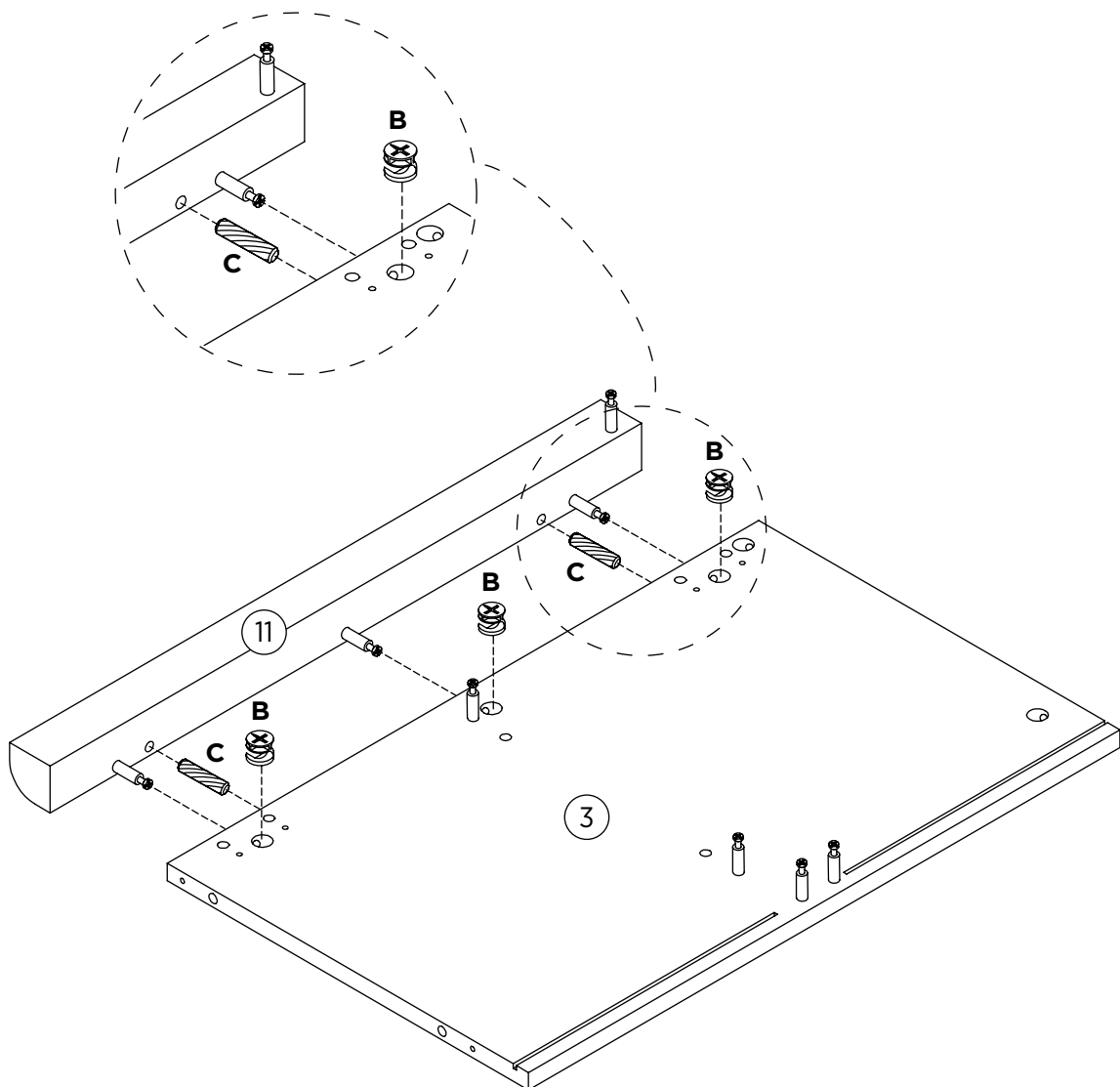
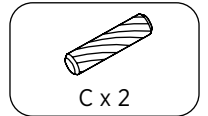
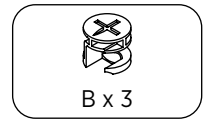
# ASSEMBLY INSTRUCTIONS

## STEP 2

Insert cam locks (B) to parts 3.

Insert wooden dowels (C) to part 3 and attach to part 11, as shown.

Turn cam lock clockwise to tighten.



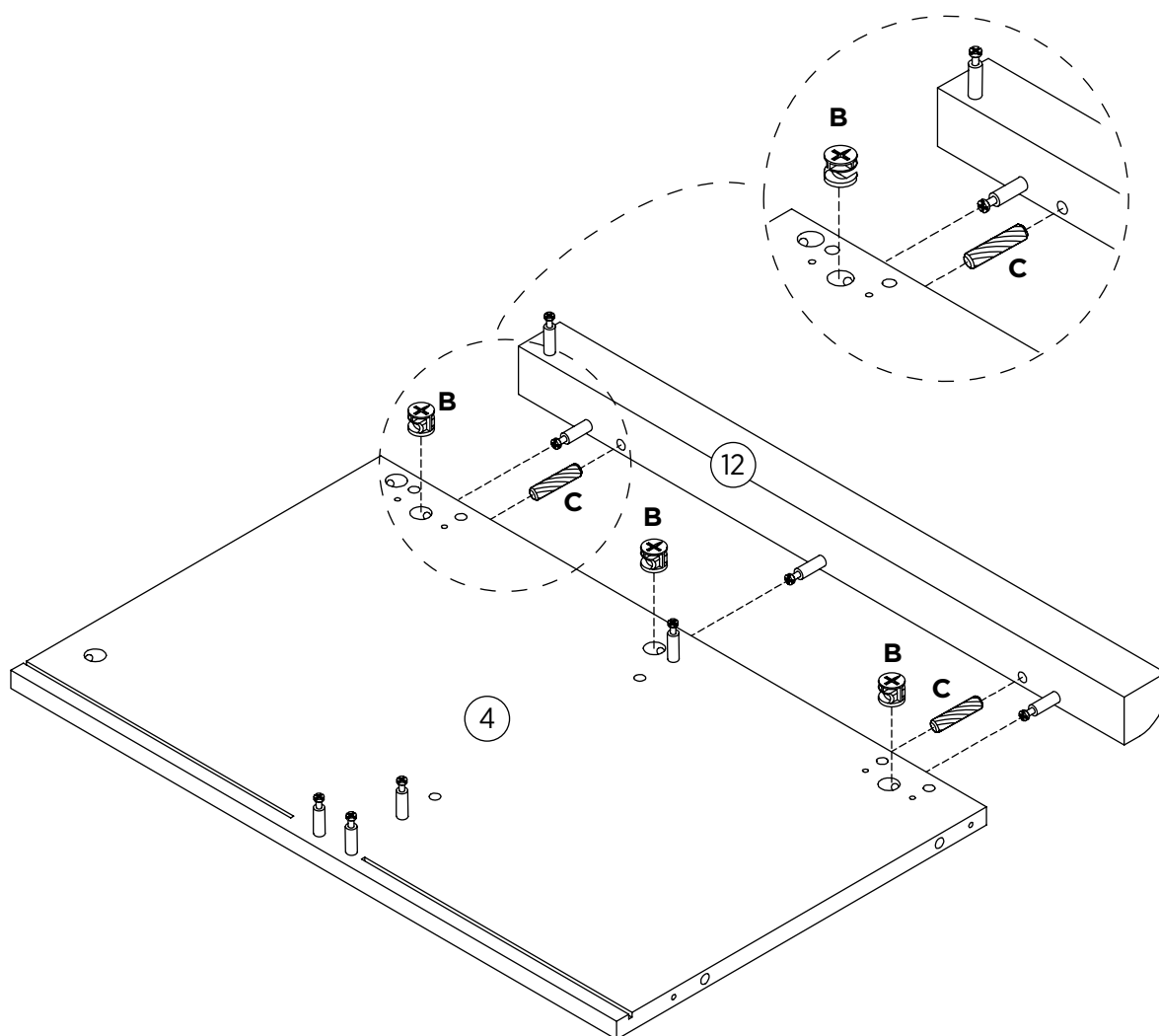
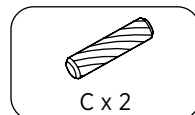
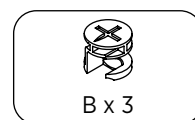
# ASSEMBLY INSTRUCTIONS

## STEP 3

Insert cam locks (B) to parts 4.

Insert wooden dowels (C) to part 4 and attach to part 12, as shown.

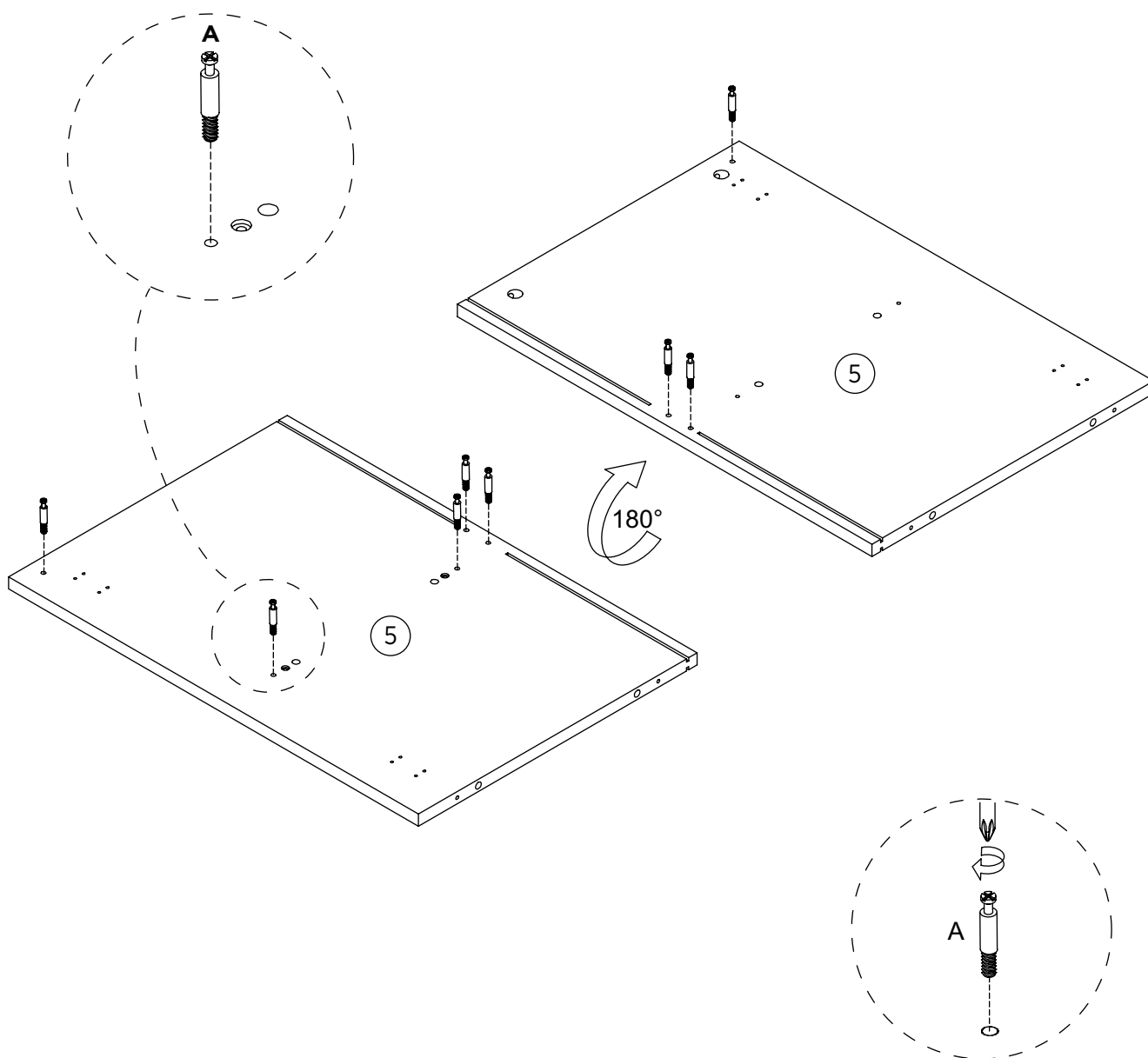
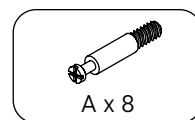
Turn cam lock clockwise to tighten.



# ASSEMBLY INSTRUCTIONS

## STEP 4

Insert quickfit screws (A) to part 5, as shown.



# ASSEMBLY INSTRUCTIONS

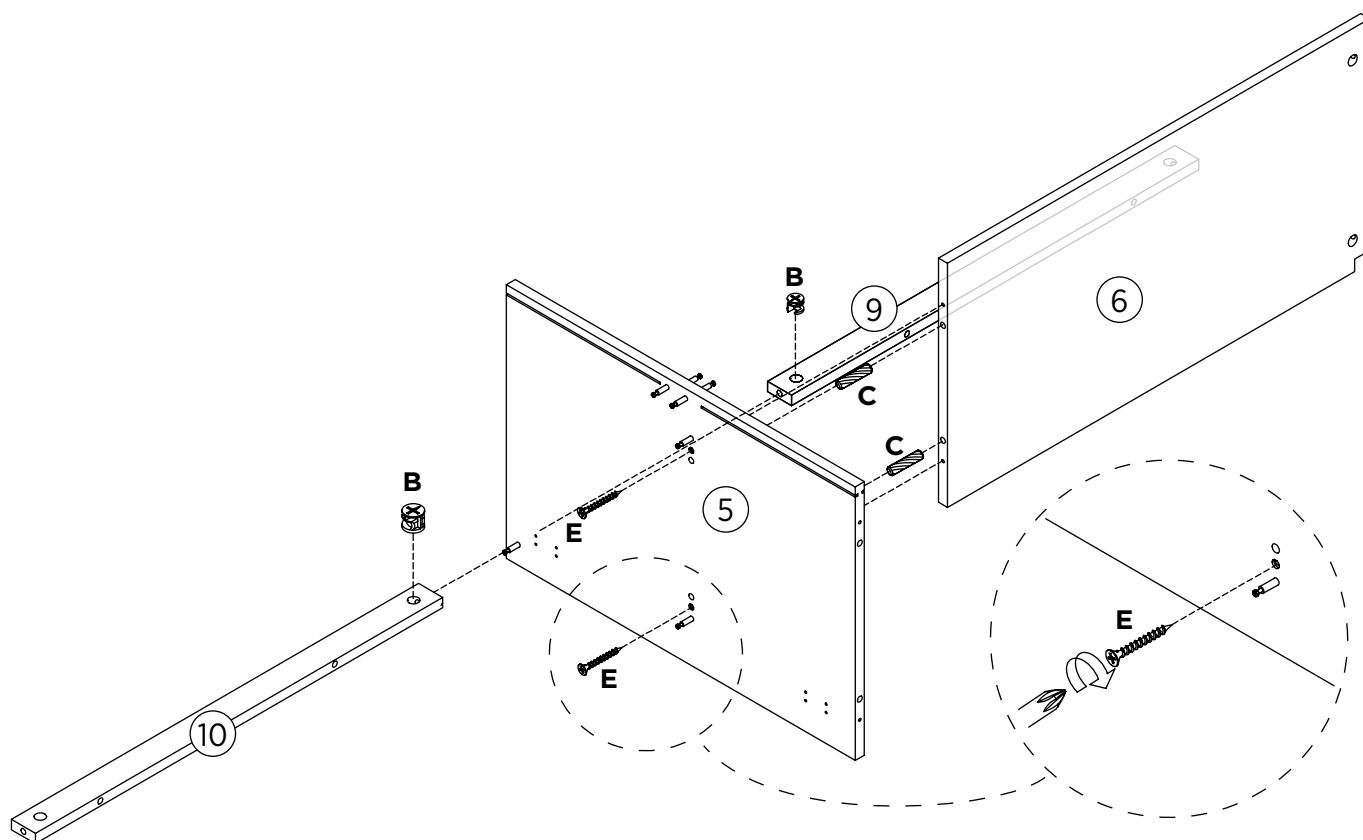
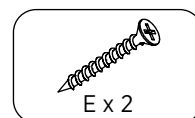
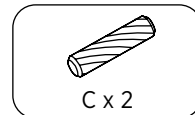
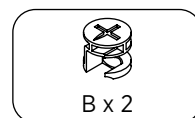
## STEP 5

Insert cam locks (B) to parts 9 and 10.

Insert wooden dowels (C) to part 5 and attach to part 6.

Fix parts 5 and 6 using screws (E), as shown.

Turn cam lock clockwise to tighten.



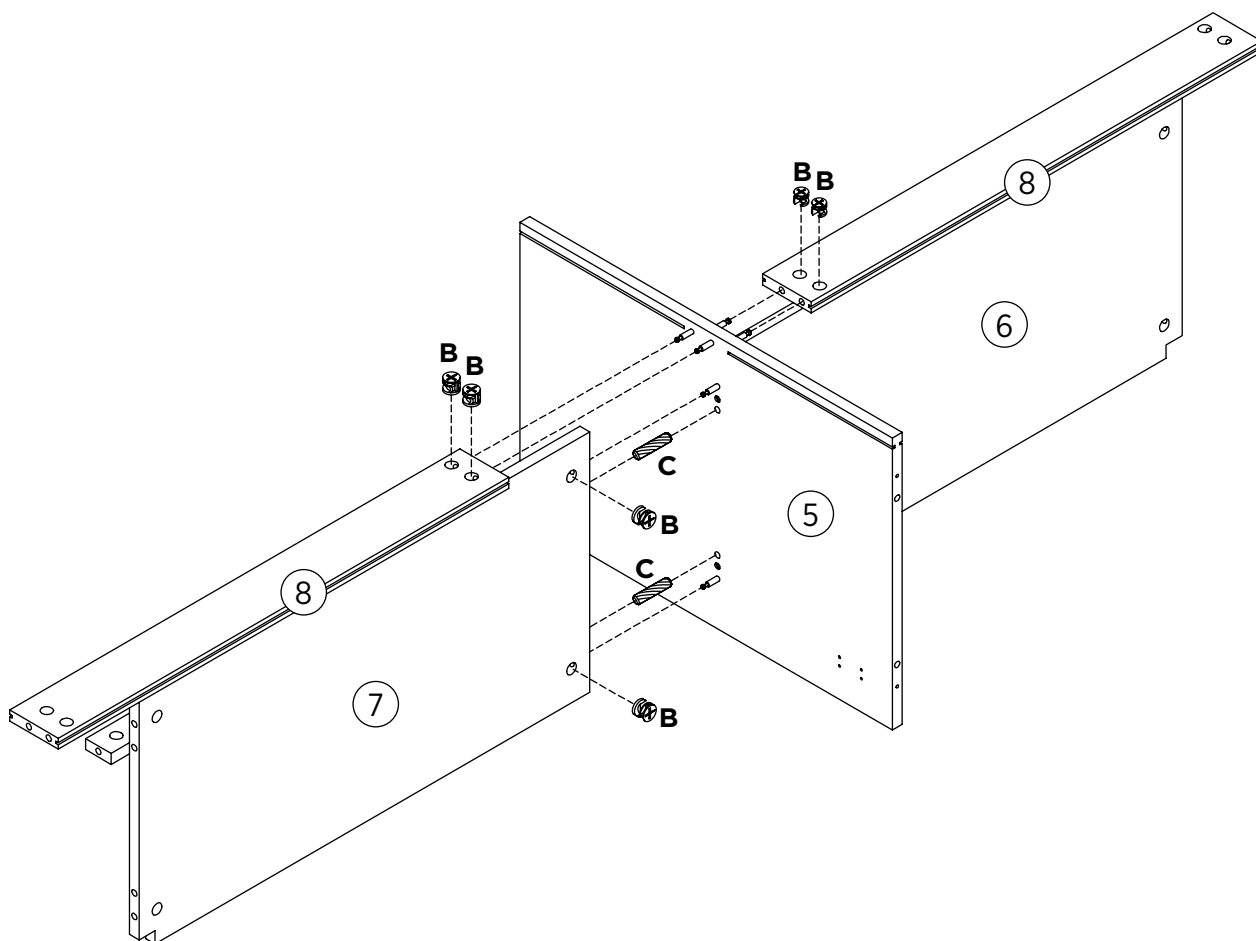
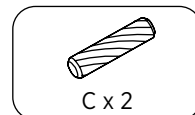
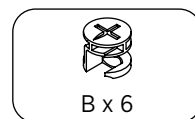
# ASSEMBLY INSTRUCTIONS

## STEP 6

Insert cam locks (B) to parts 7 and 8.

Insert wooden dowels (C) to part 7 and attach to parts 5, as shown.

Turn cam lock clockwise to tighten.



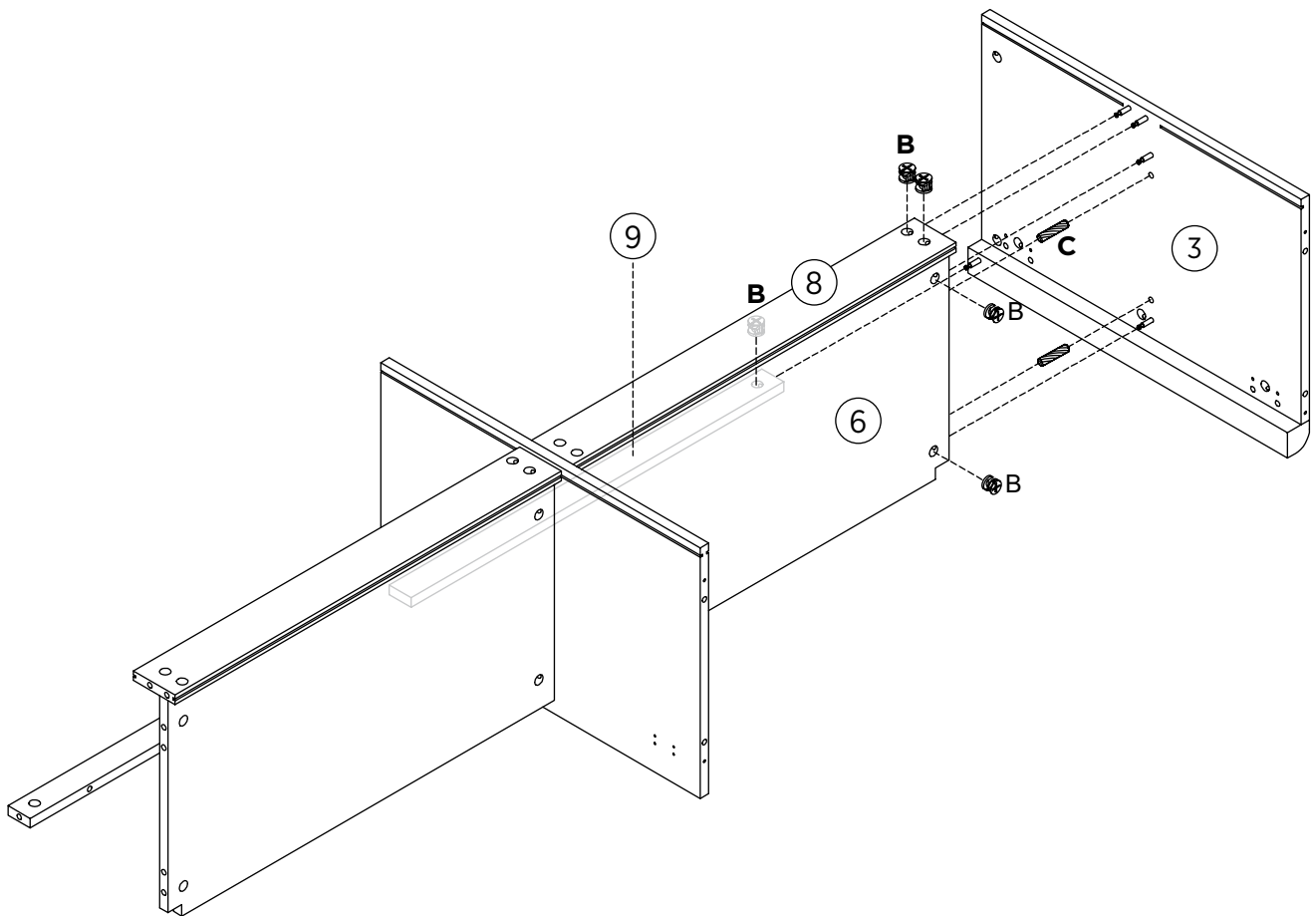
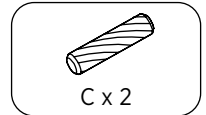
# ASSEMBLY INSTRUCTIONS

## STEP 7

Insert cam locks (B) to parts 6, 8 and 9.

Insert wooden dowels (C) to part 3 and attach to parts 6, 8 and 9, as shown.

Turn cam lock clockwise to tighten.



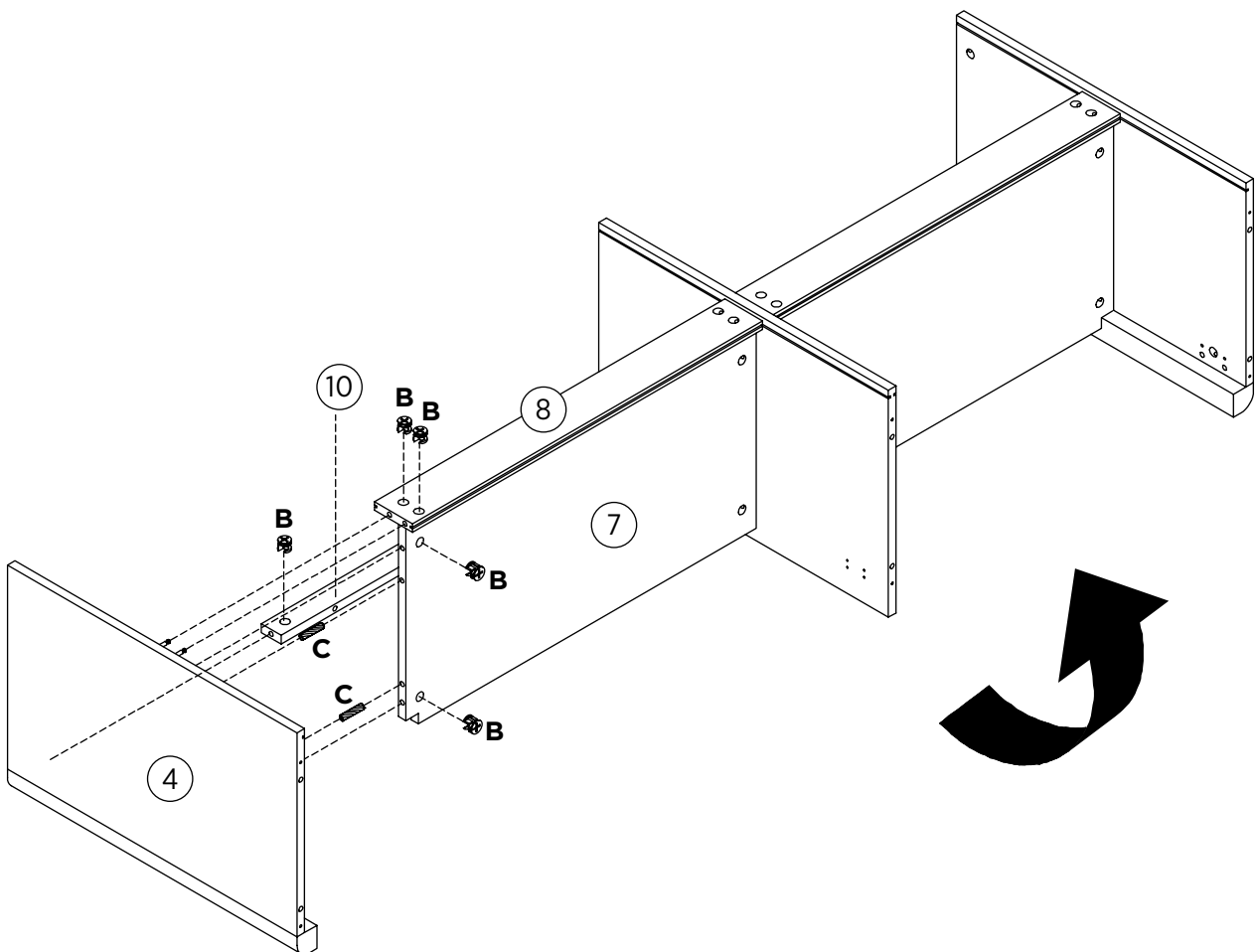
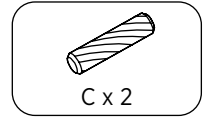
# ASSEMBLY INSTRUCTIONS

## STEP 8

Insert cam locks (B) to parts 6, 8 and 10.

Insert wooden dowels (C) to part 4 and attach to part 7, 8 and 10, as shown.

Turn cam lock clockwise to tighten

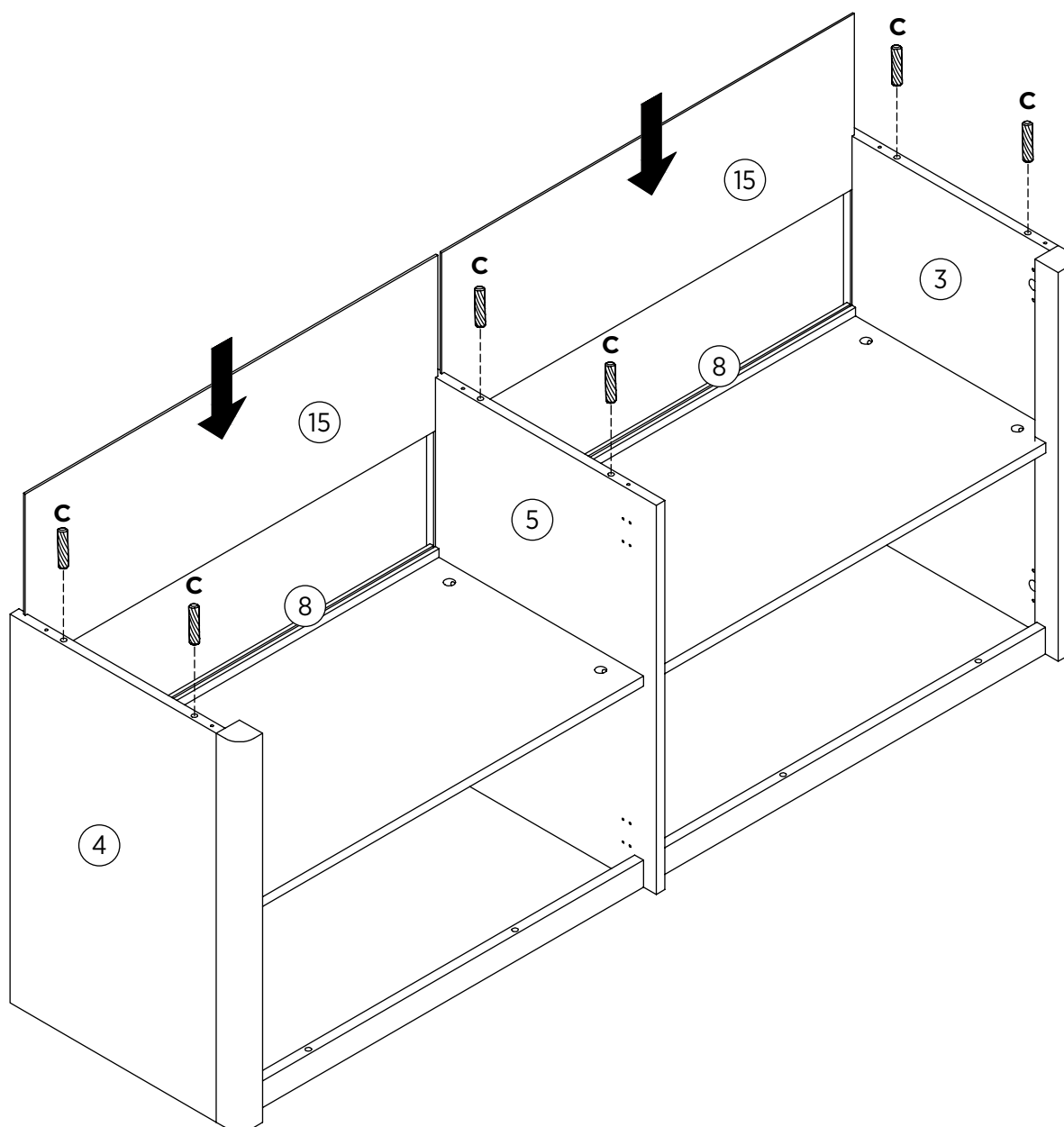
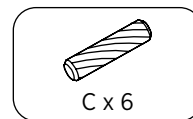


# ASSEMBLY INSTRUCTIONS

## STEP 9

Insert wood dowels(C) to parts 3, 4 and 5

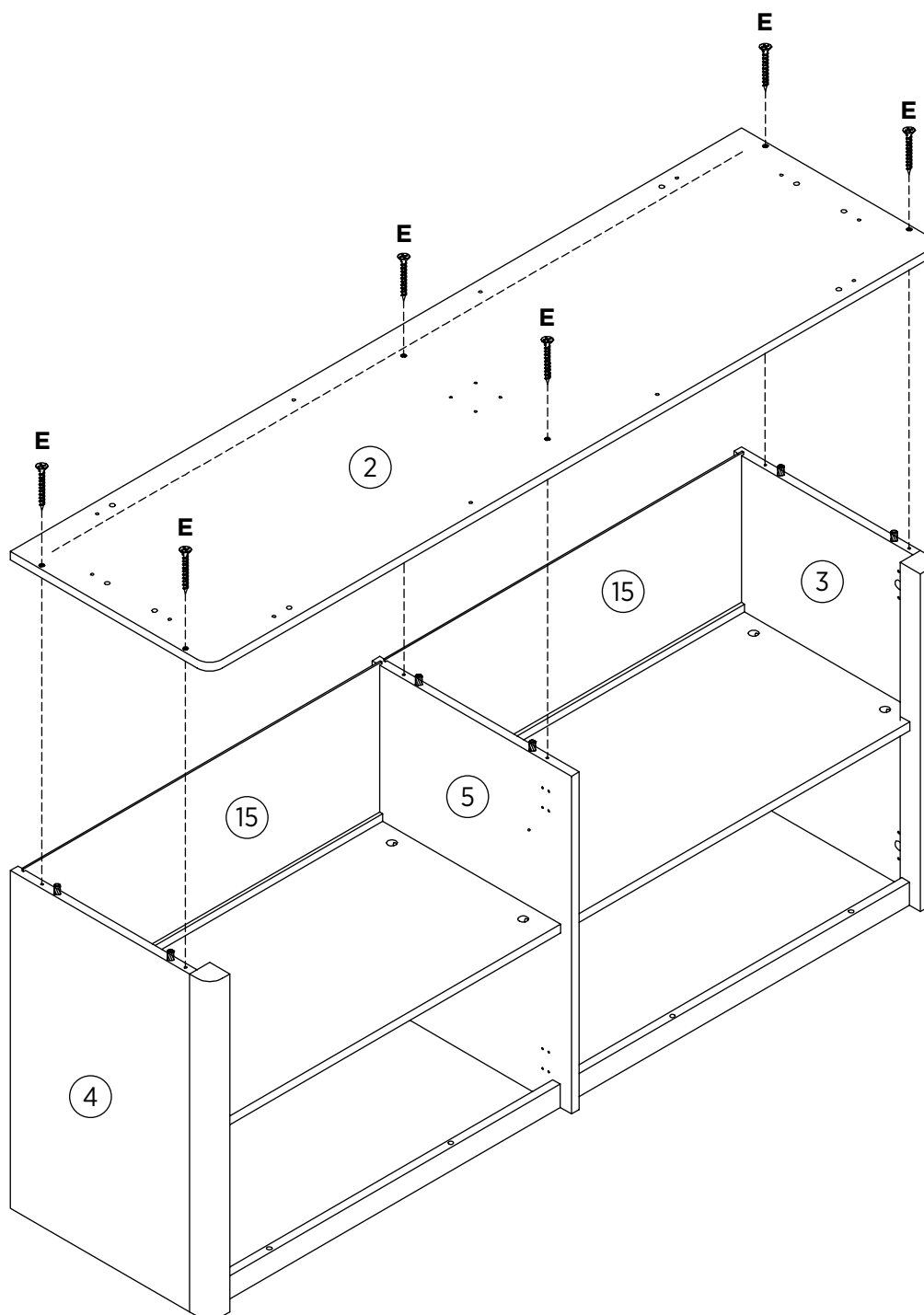
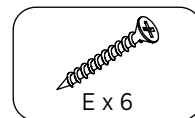
Attach parts 15 into grooves between parts 4, 3, 5 and 8, as shown.



# ASSEMBLY INSTRUCTIONS

## STEP 10

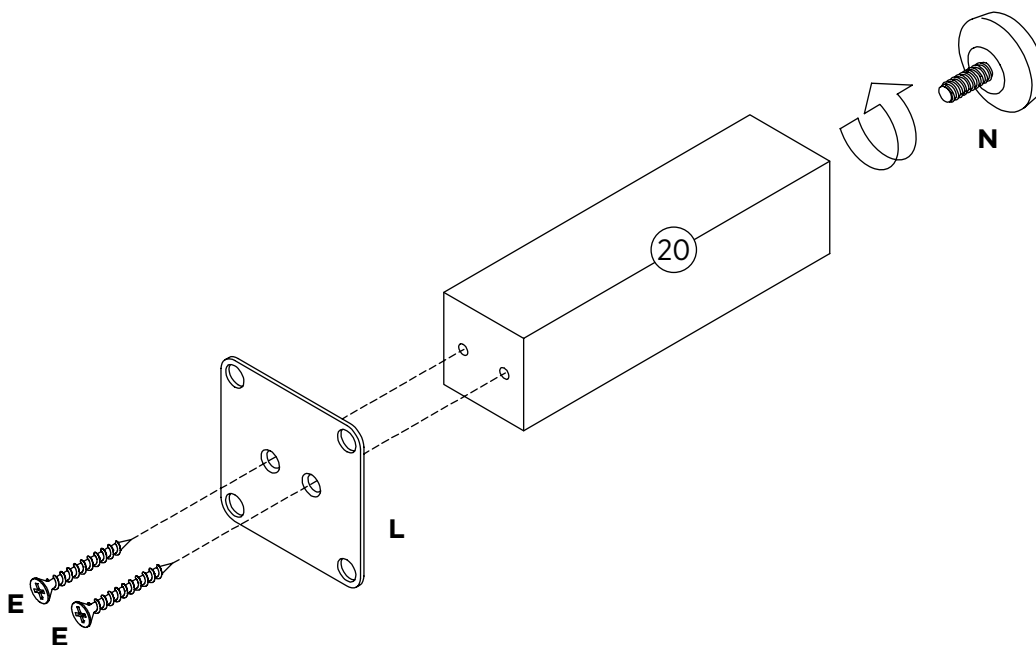
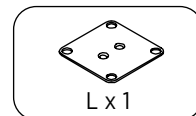
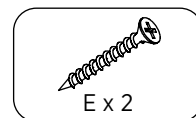
Fix part 2 using screws (E) to parts 3, 4 and 5, as shown.



# ASSEMBLY INSTRUCTIONS

## STEP 11

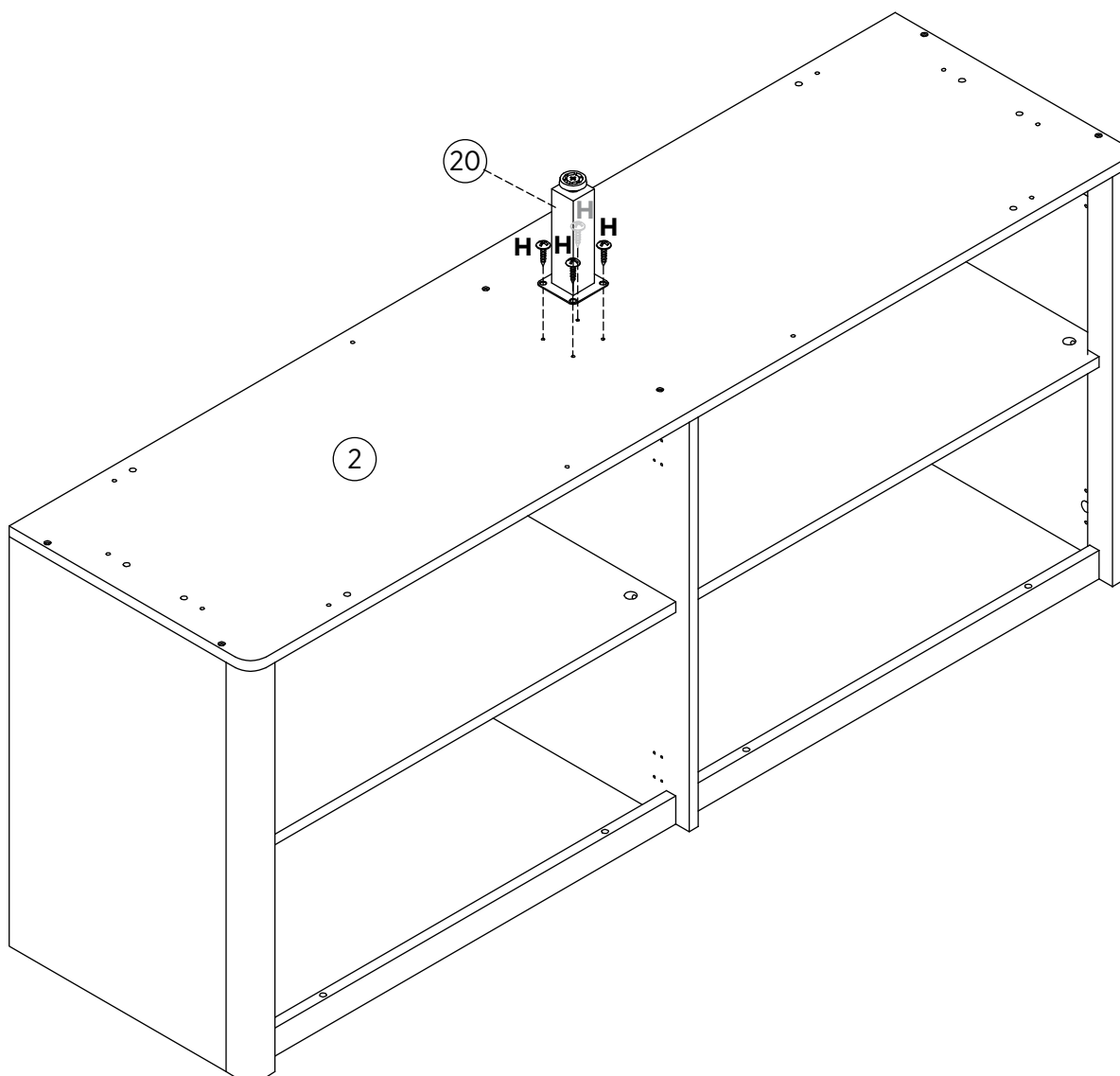
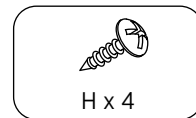
Fix plate (L) using screws (E), (N) and to part 20, as shown.



# ASSEMBLY INSTRUCTIONS

## STEP 12

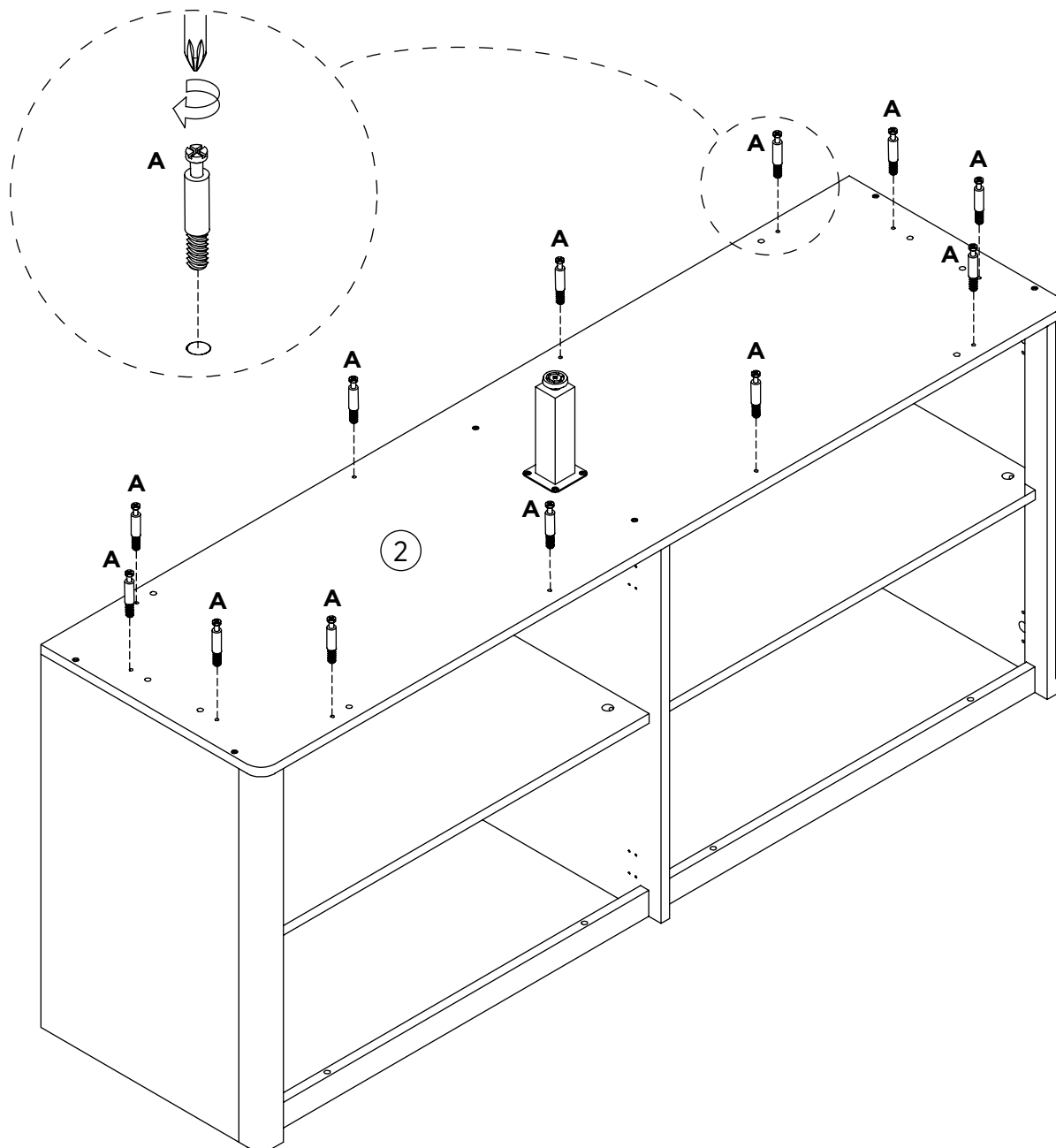
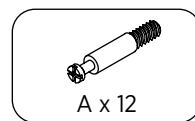
Attach part 20 to part 2 using screws (H), as shown.



# ASSEMBLY INSTRUCTIONS

## STEP 13

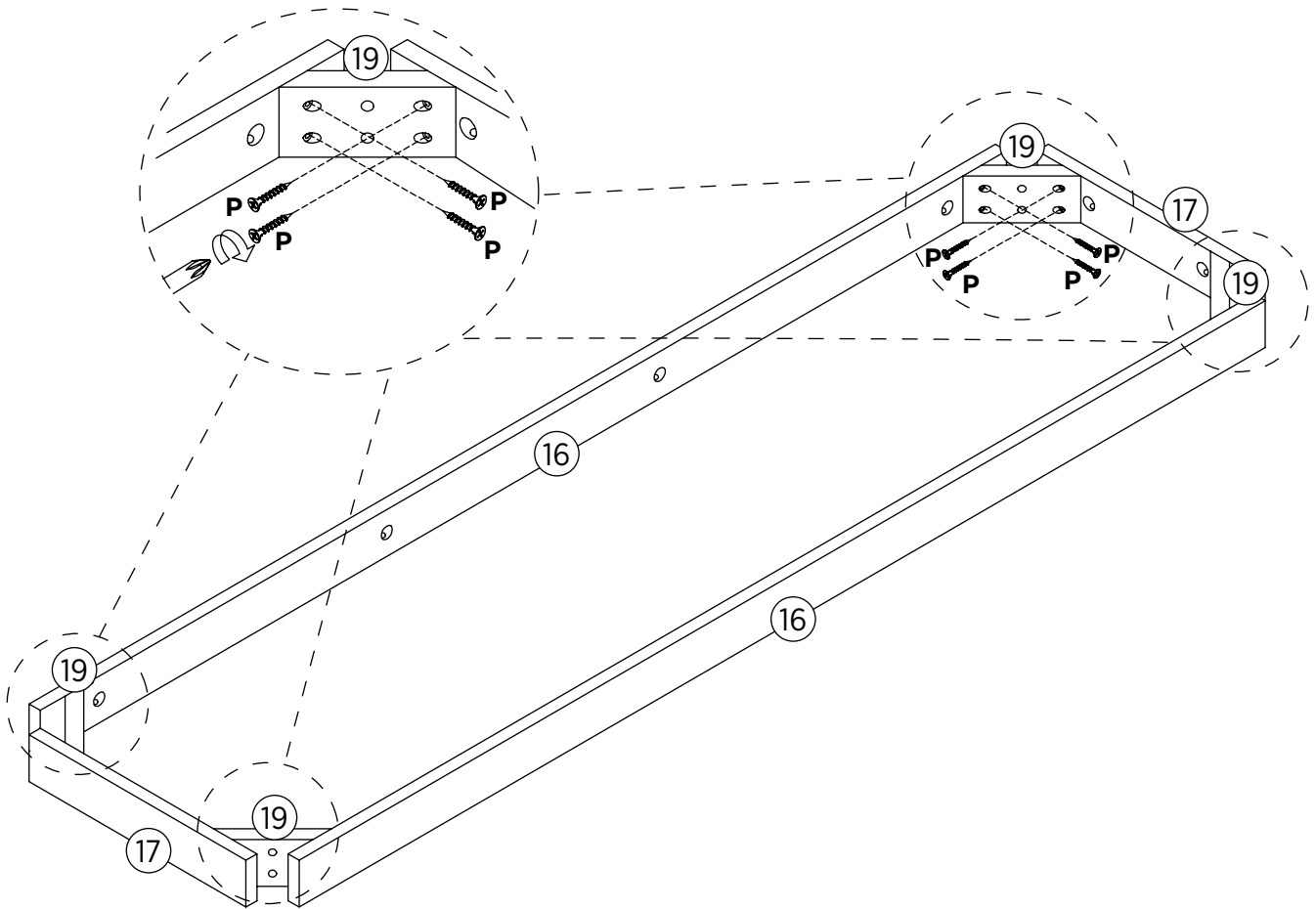
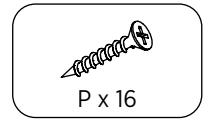
Insert quickfit screws (A) to part 2, as shown.



# ASSEMBLY INSTRUCTIONS

## STEP 14

Fix parts 19 to parts 16 and 17 using screws (P), as shown.

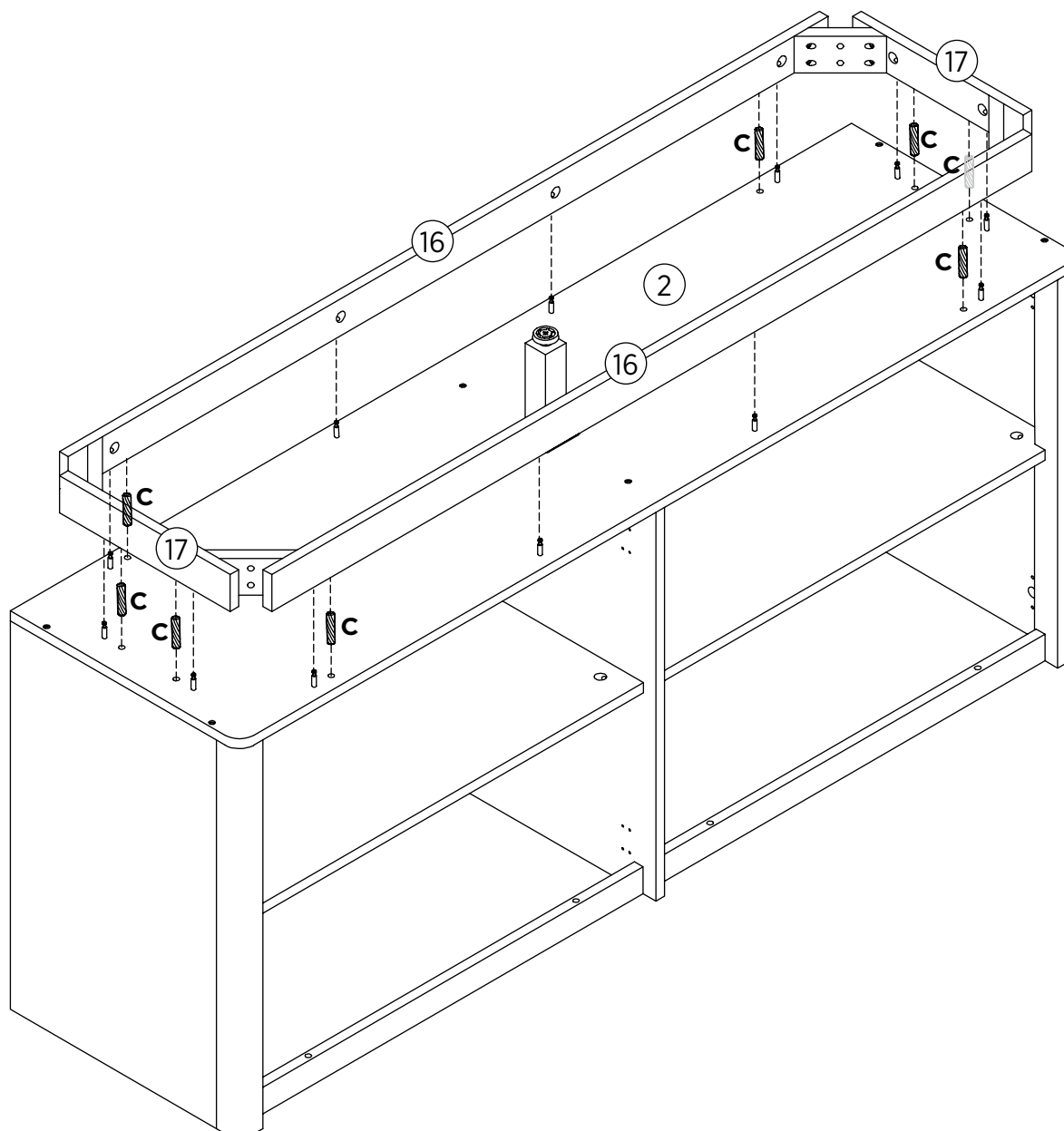
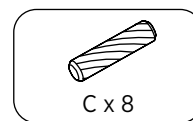


# ASSEMBLY INSTRUCTIONS

## STEP 15

Attach wooden dowels (C) to part 2.

Fix parts 16 and 17 to part 2, as shown.

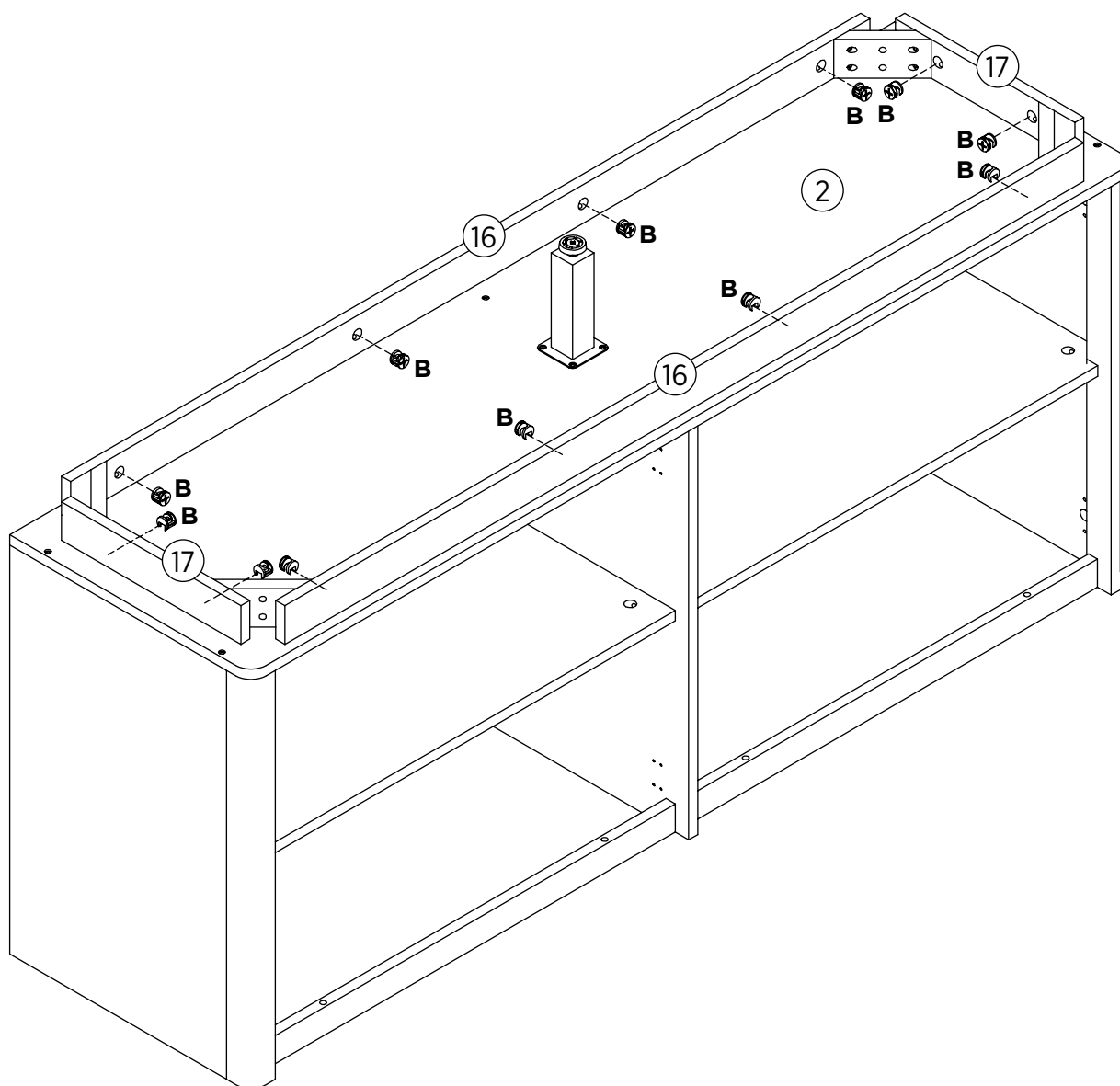
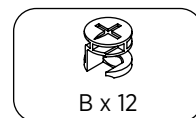


# ASSEMBLY INSTRUCTIONS

## STEP 16

Insert cam locks (B) to parts 16 and 17, as shown.

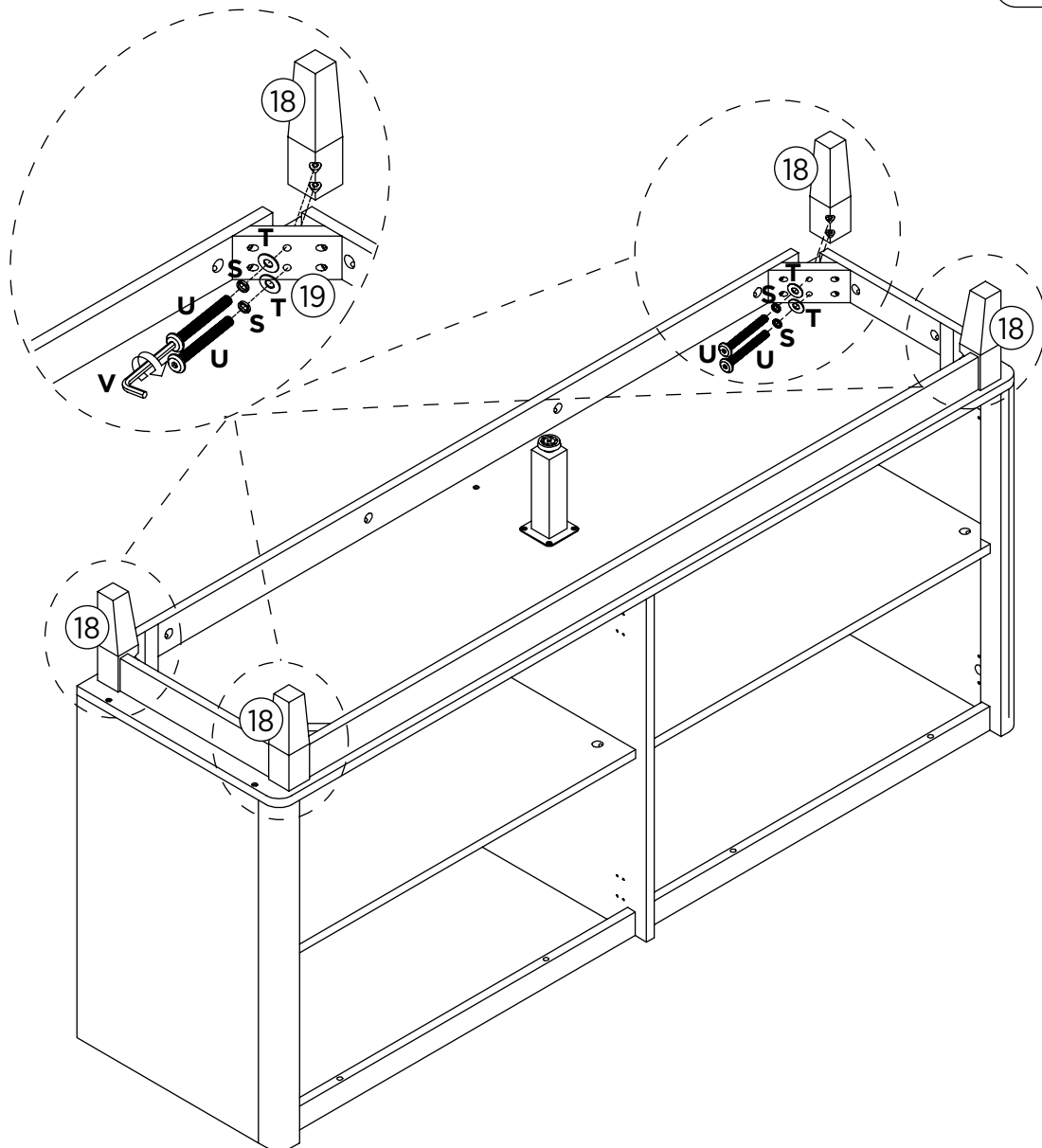
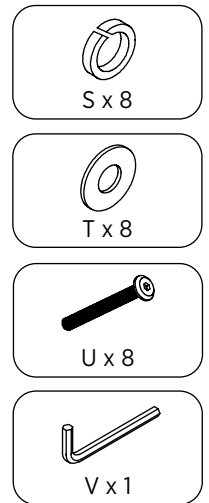
Turn cam lock clockwise to tighten.



# ASSEMBLY INSTRUCTIONS

## STEP 17

Fix parts 18 using solit lock washers (S), washers (T) and bolts (U) using allen key (V), as shown.

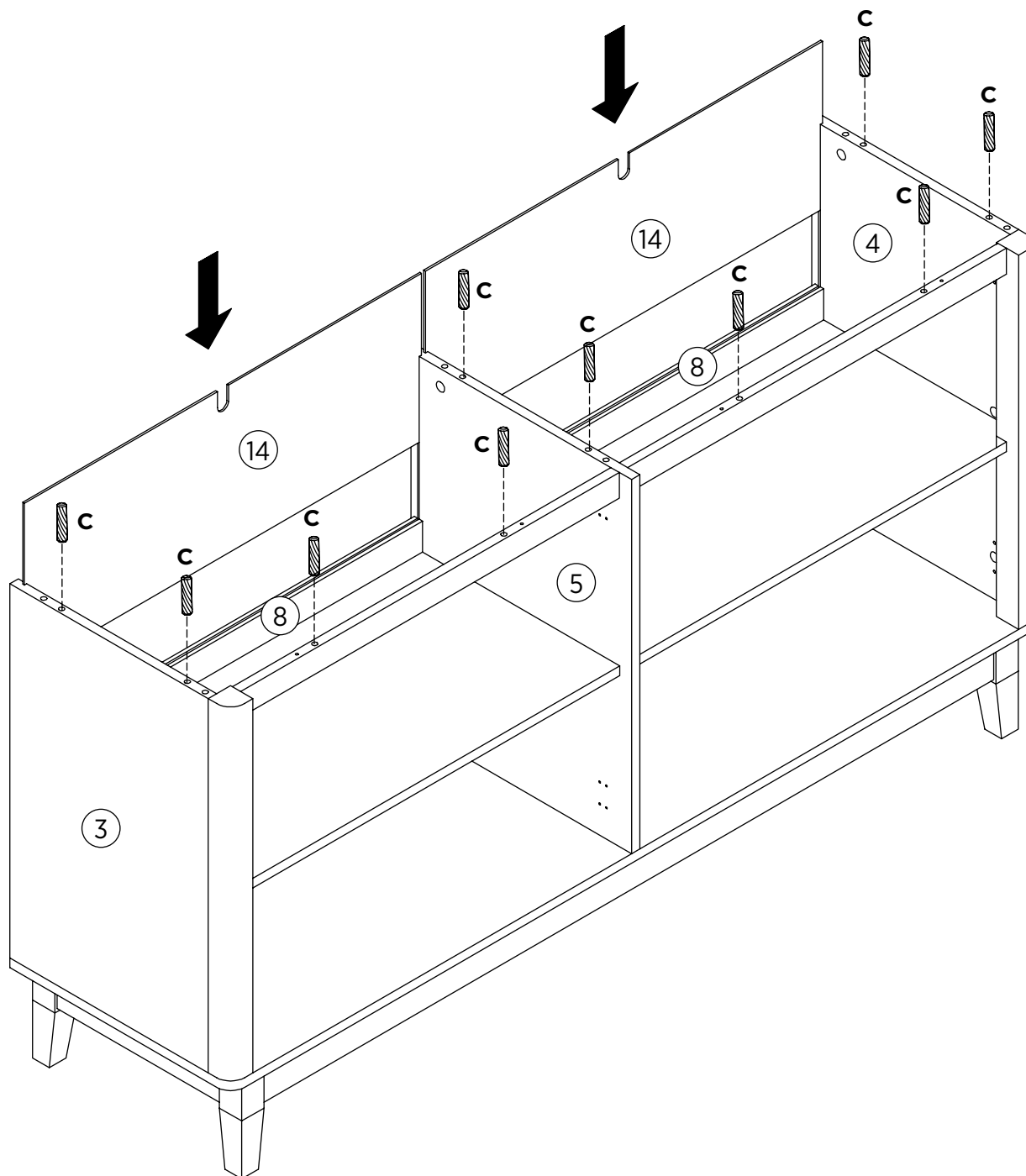
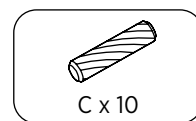


# ASSEMBLY INSTRUCTIONS

## STEP 18

Attach parts 14 into grooves between parts 4, 3, 5 and 8.

Attach wooden dowels (C) on the assembled unit, as shown.

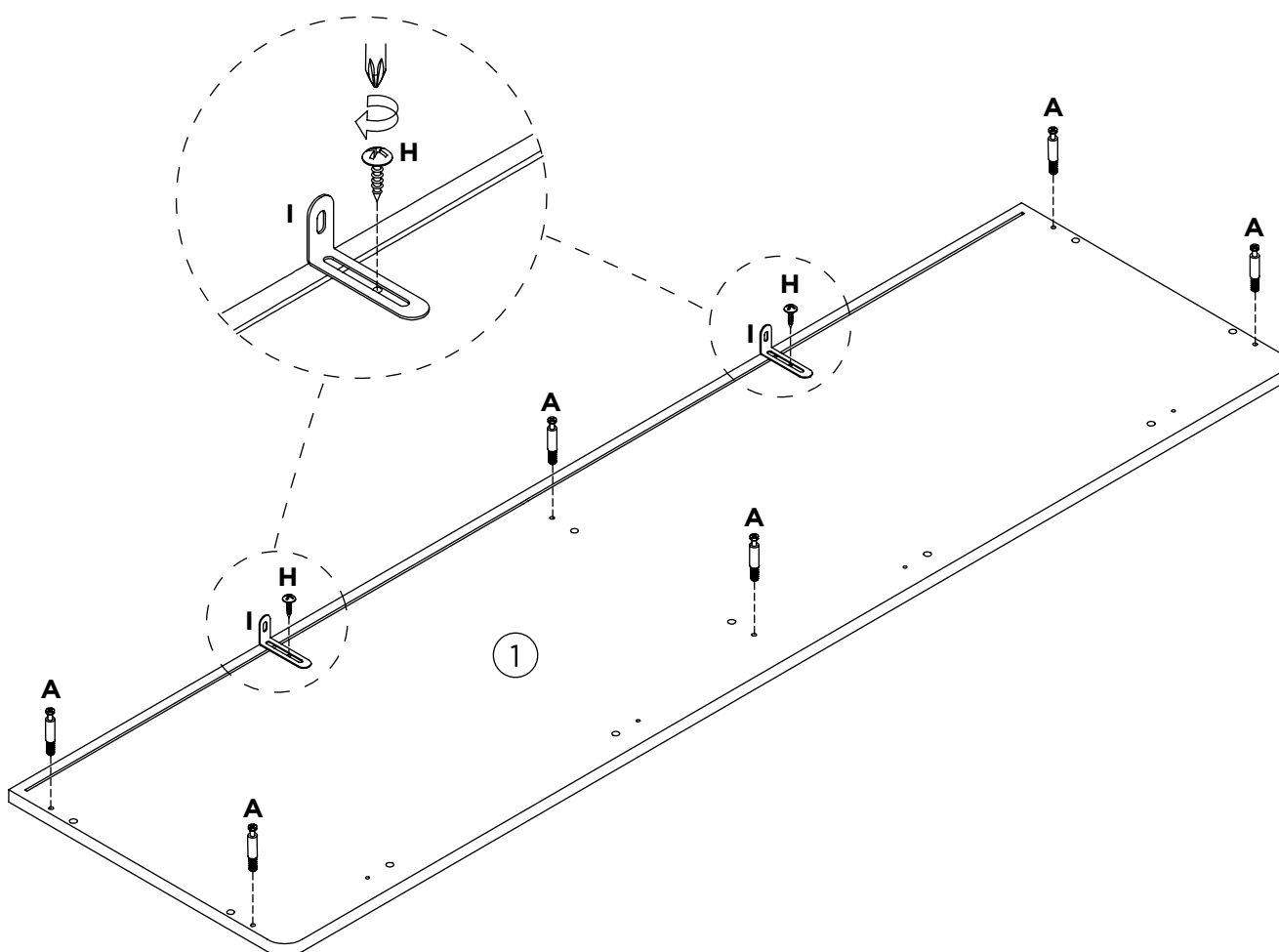
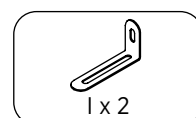
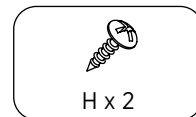
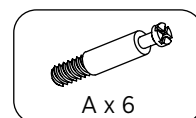


# ASSEMBLY INSTRUCTIONS

## STEP 19

Insert quickfit screws (A) to part 1.

Fix wall brackets (I) using screws (H), as shown.



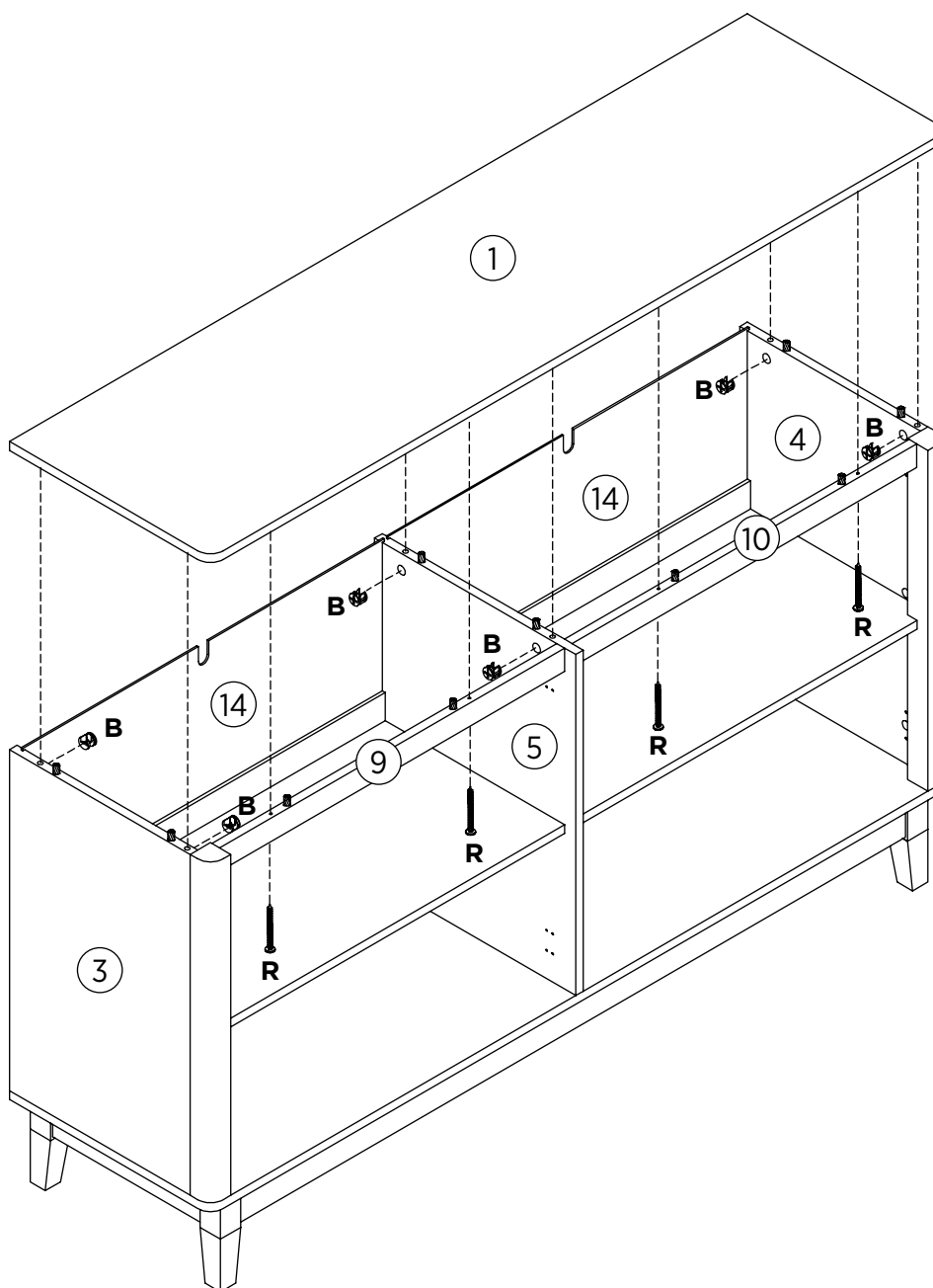
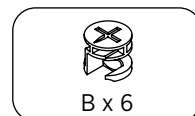
# ASSEMBLY INSTRUCTIONS

## STEP 20

Insert cam locks (B) to parts 3, 4 and 5.

Fix part 1 to parts 9 and 10 using screws (R), as shown.

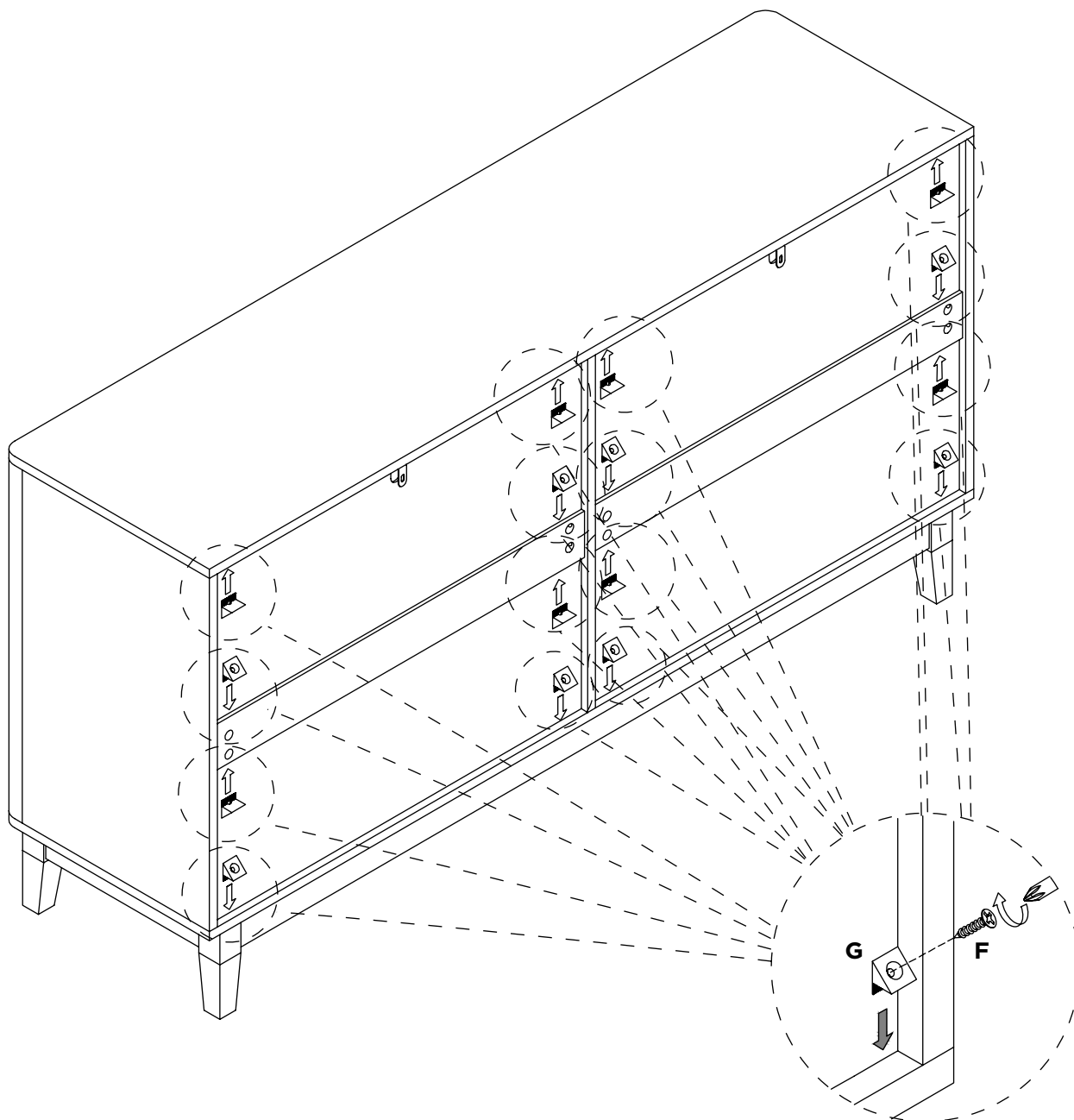
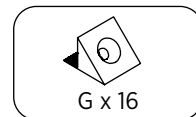
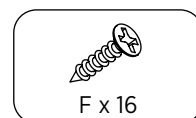
Turn cam lock clockwise to tighten.



# ASSEMBLY INSTRUCTIONS

## STEP 21

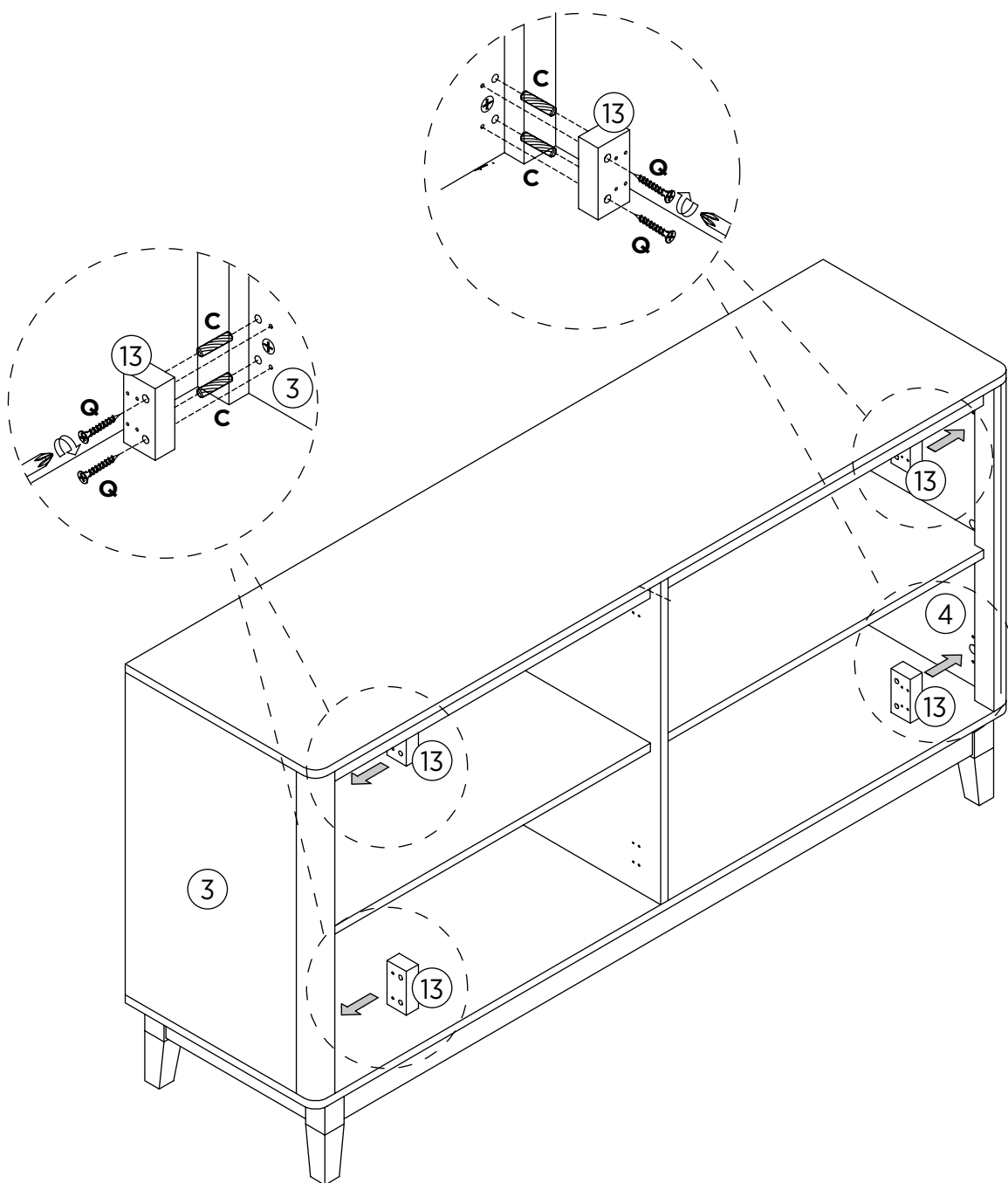
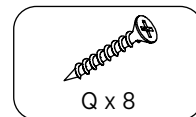
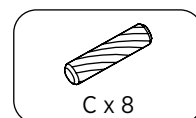
To secure the assembled unit, fix wedges (G) using screws (F), as shown.



# ASSEMBLY INSTRUCTIONS

## STEP 22

Fix parts 13 using wooden dowels (C) and screws (Q) to parts 3 and 4, as shown.

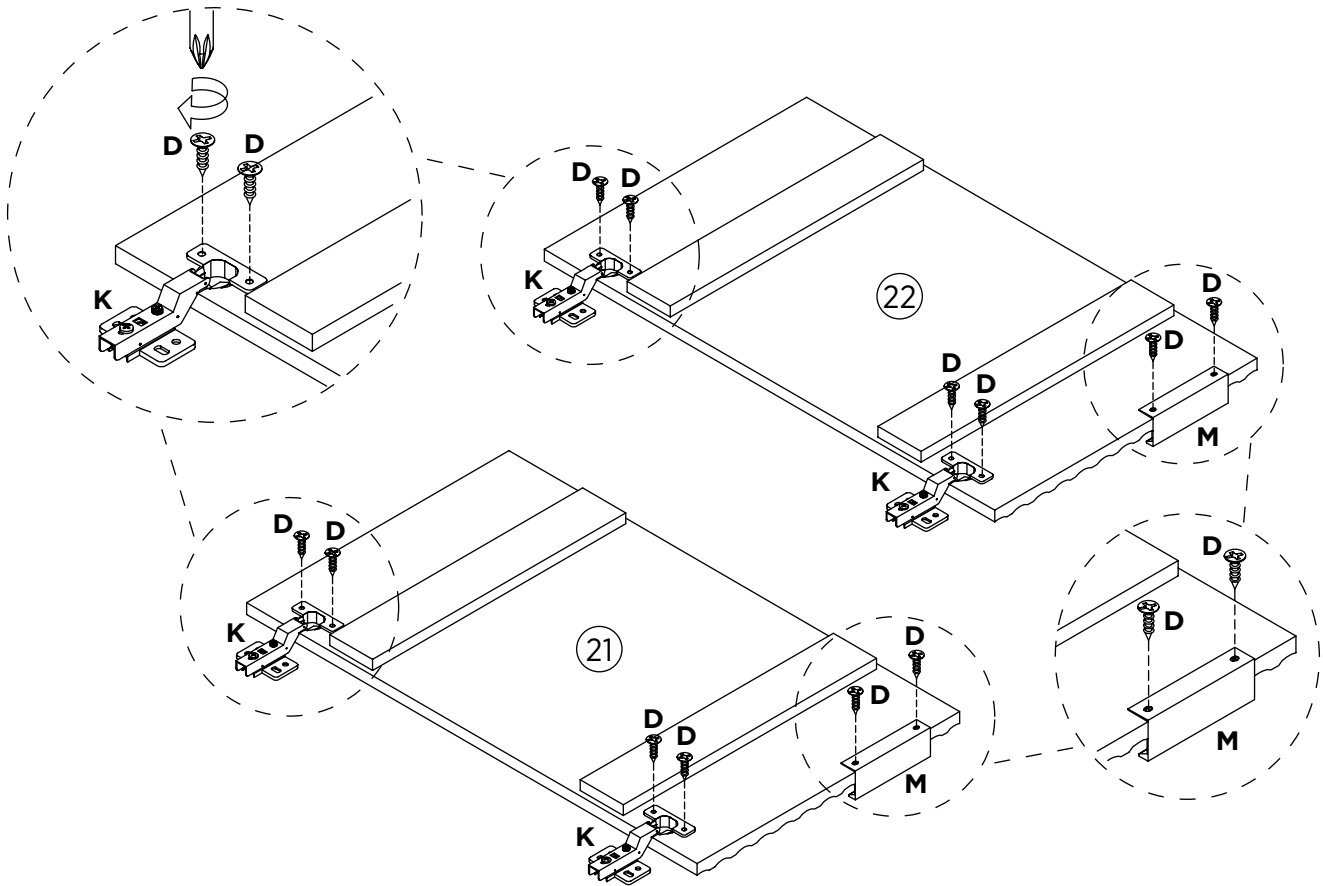
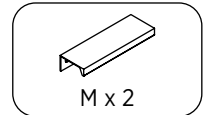
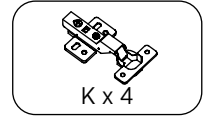
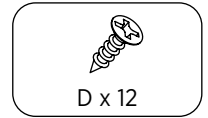


# ASSEMBLY INSTRUCTIONS

## STEP 23

Fix hinges (K) to parts 21 and 22 using screws (D).

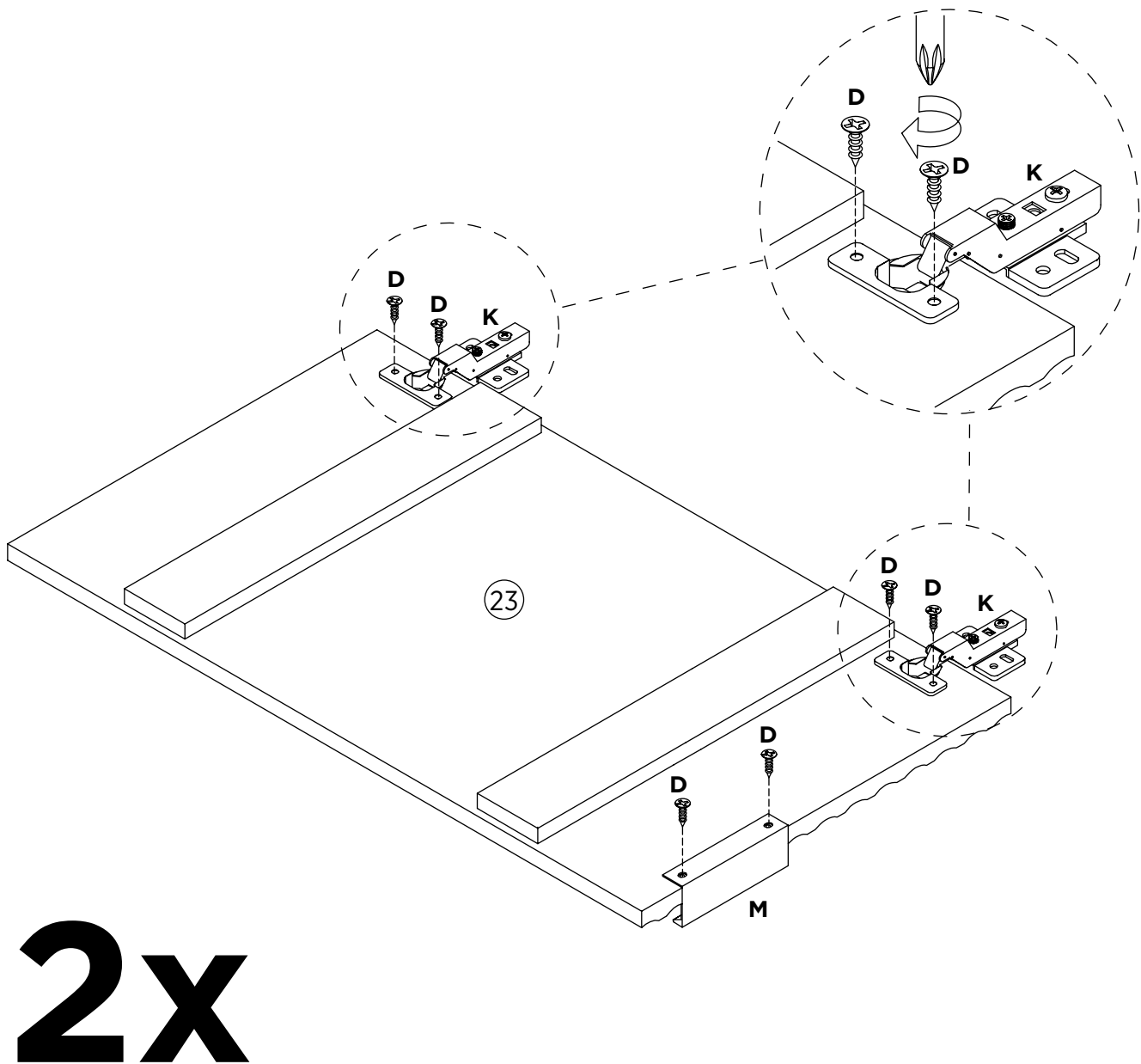
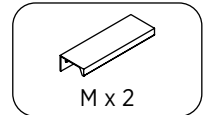
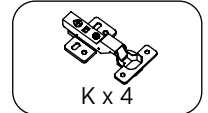
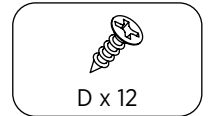
Fix handles (M) using screws (D), as shown.



# ASSEMBLY INSTRUCTIONS

## STEP 24

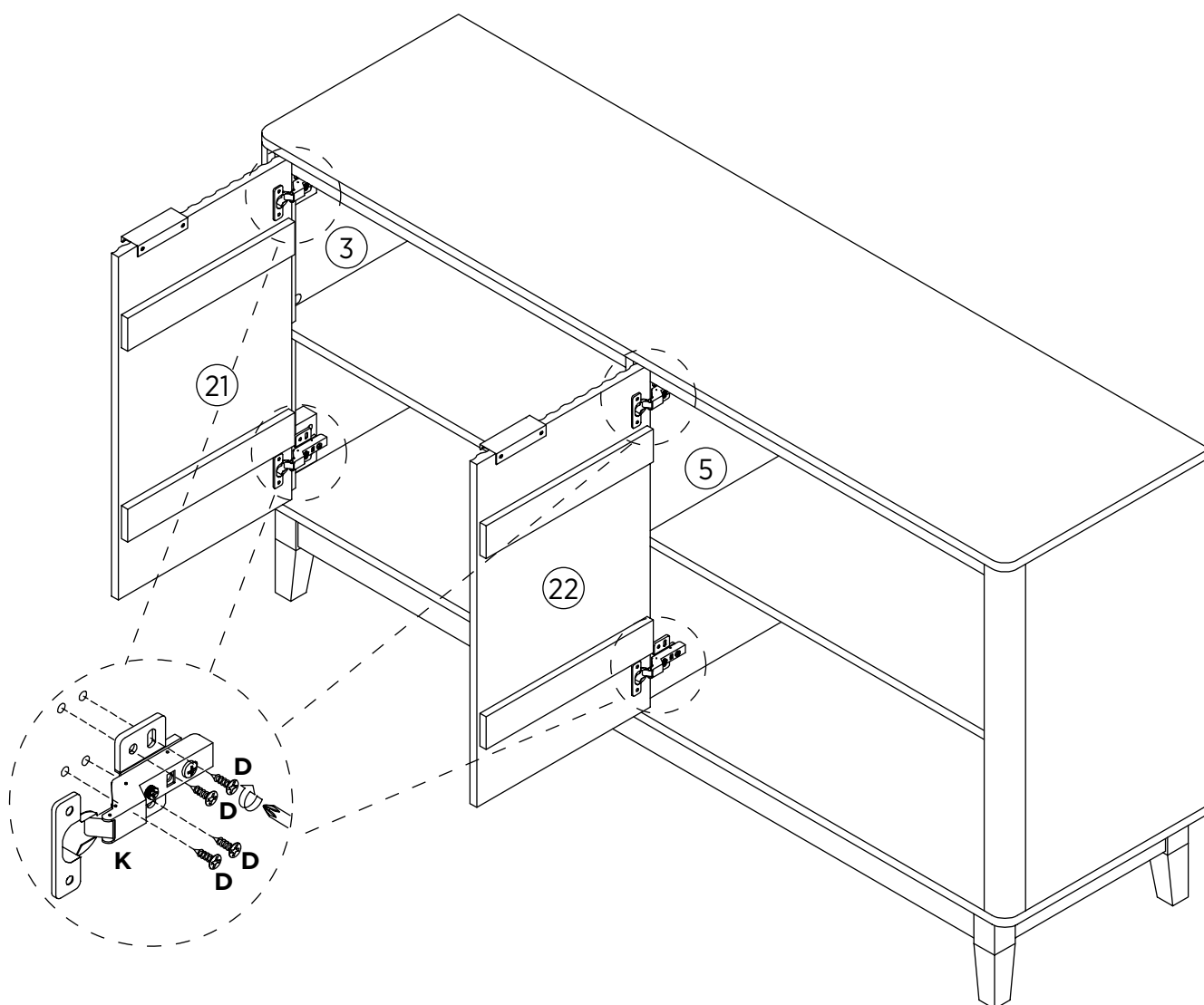
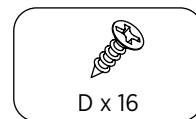
Fix handles (M) and hinges (K) to parts 23 using screws (D), as shown.



# ASSEMBLY INSTRUCTIONS

## STEP 25

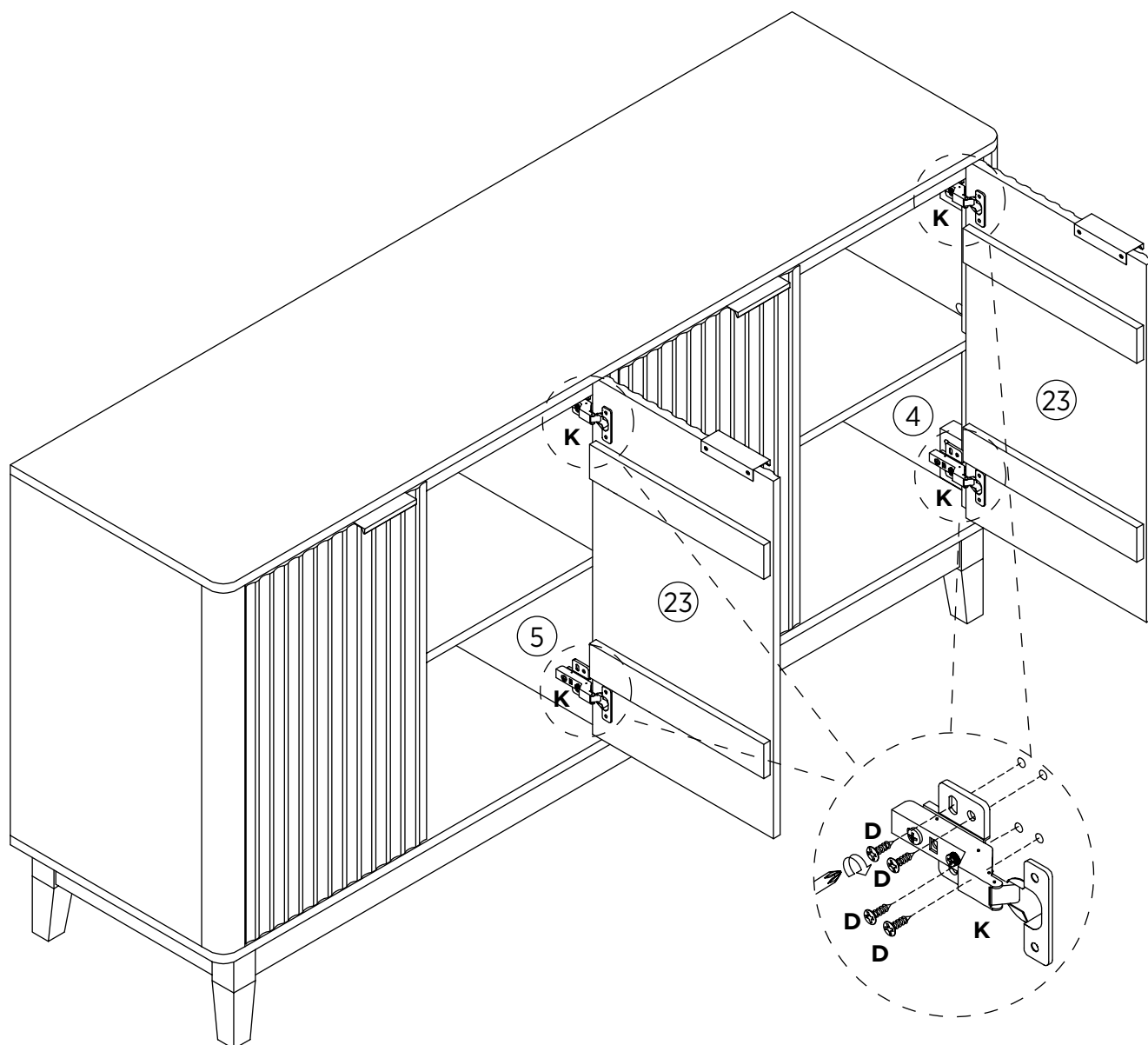
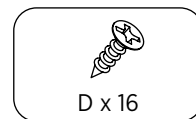
Fix parts 3 and 5 to parts 21 and 22 using screws (D), as shown.



# ASSEMBLY INSTRUCTIONS

## STEP 26

Fix parts 4 and 5 to parts 23 using screws (D), as shown.



# ASSEMBLY INSTRUCTIONS

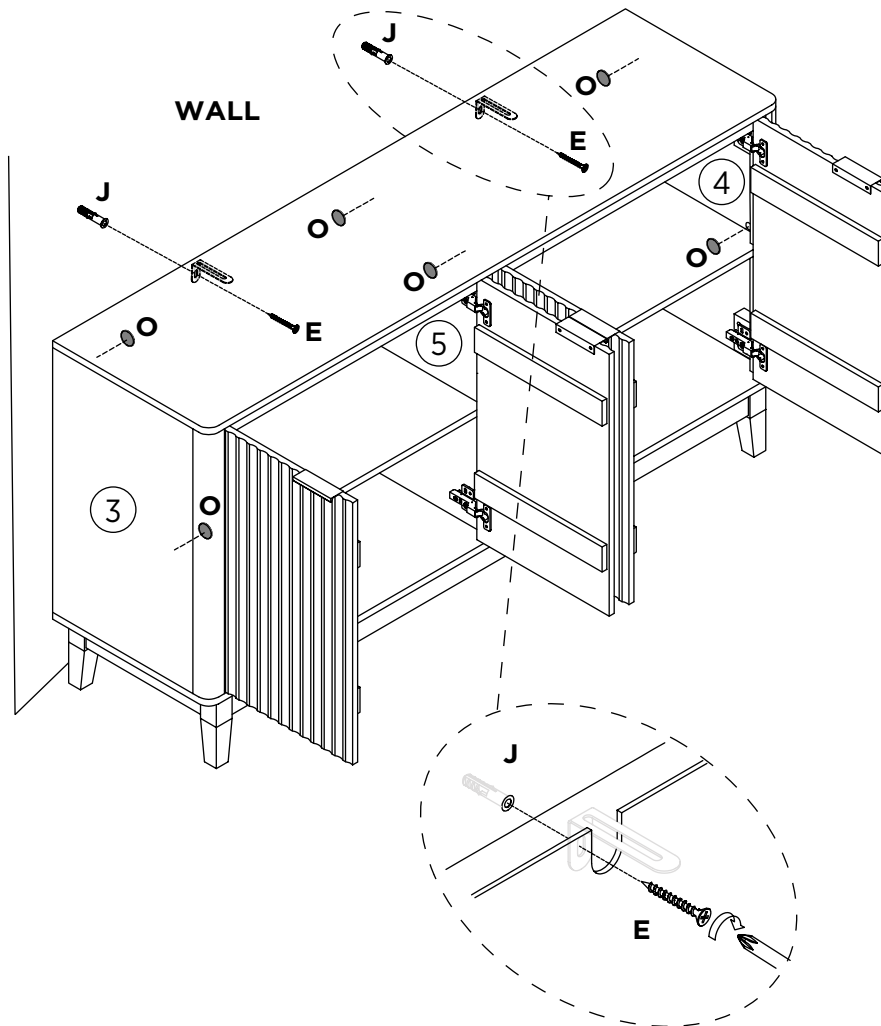
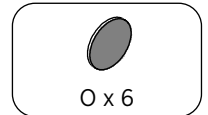
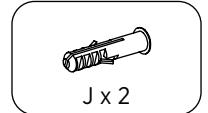
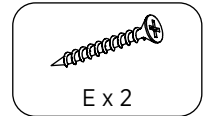
## STEP 27

Attach stickers (O) to parts 3, 4 and 5.

**For extra stability, you must fix your bookcase to the wall using the additional hardware (E and J), as shown.**

**Screws (E) is fixed into the wall plugs (J).**

**Should you choose not to affix the product to the wall, serious injury may be caused if the product tips over.**



**! WARNING**

**Children have died from furniture tipover.**

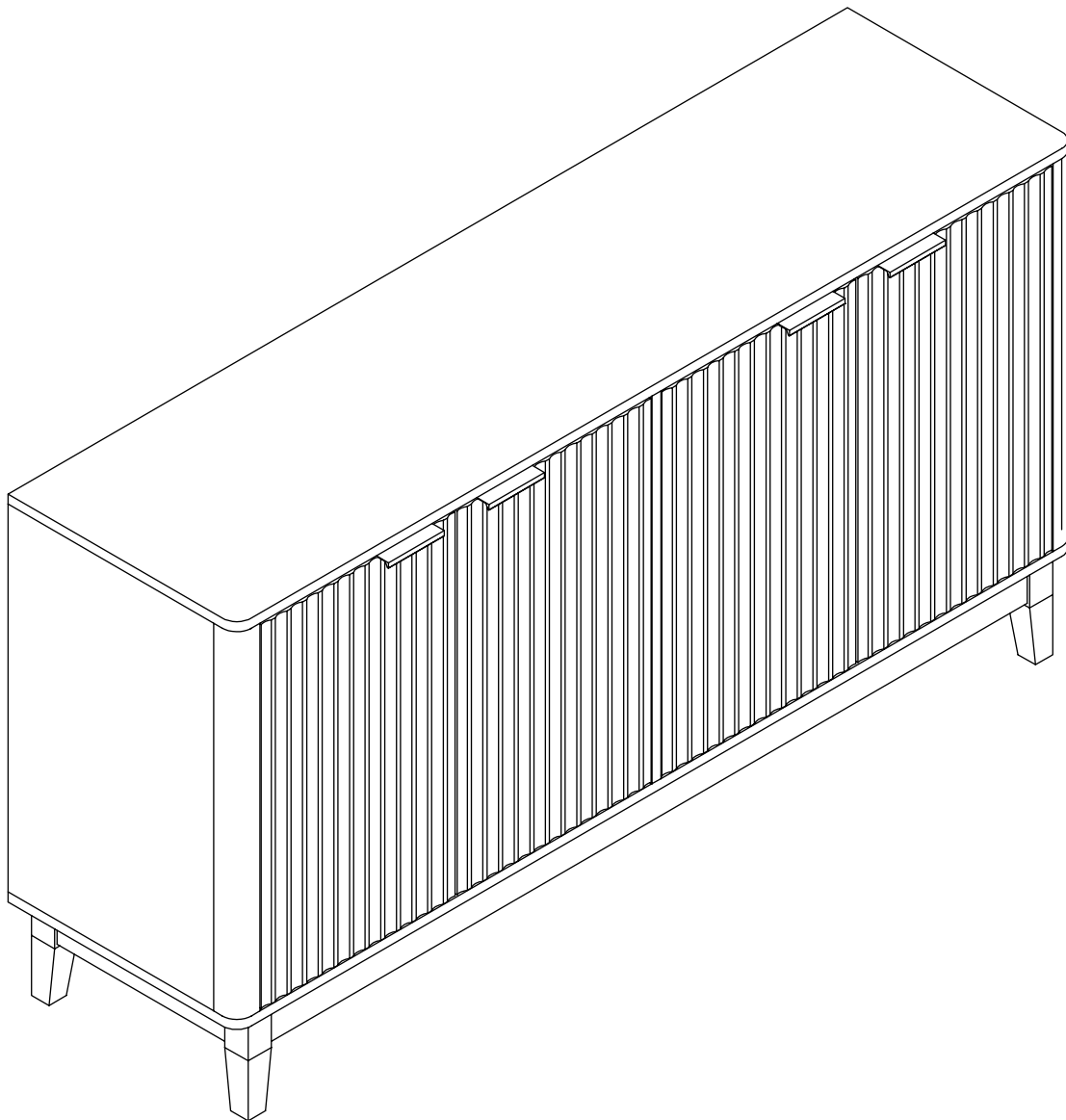
- ALWAYS secure this furniture with an anchor device.
- NEVER allow children to stand, climb or hang on drawers, doors, or shelves.
- NEVER open more than one drawer at a time.
- Place heavy items down low.

NEVER put a TV on this furniture

# ASSEMBLY INSTRUCTIONS

---

## STEP 28



**Maximum recommended weight on top is 50kg and for shelves is 10kg.**

Your Buffet 4 Doors is ready for use.

# WALL FIXING GUIDE

**NOTE: Supplied wall plugs are only suitable for use in masonry walls.**

If you have any doubts about using the correct plug for your wall, please seek professional advice.

Failure of the product due to using incorrect fixings is the responsibility of the installer.



## IMPORTANT:

When drilling into walls, always check for hidden wires or pipes, etc.



## Tips & Tricks

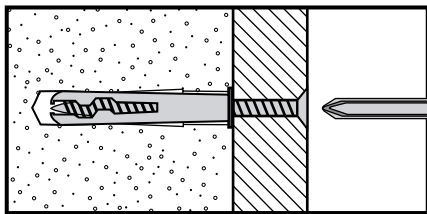
**Make sure that the hardware used is suitable for supporting your unit.**

**Please consult a qualified tradesperson if unsure.**

- ☑ Take extra care when drilling high walls, ceiling and ceramic tiles. Ensure wall plugs are inserted beyond the thickness of the ceramic tiles to avoid splitting or cracking.
- ☑ If you are unsure, please select a larger screw and wall plug.
- ☑ Ensure that you use the recommended drill bit to match the wall plug and hole size.
- ☑ Ensure that wall plugs are well fitted and are a tight fit in the drilled hole.

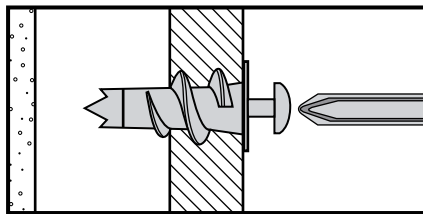
## Types of Walls

Use one of the following types of wall plug (not included) if your walls are made of brick, breeze block, concrete, stone or wood. Screws may be able to be fixed directly to solid wood walls as they will provide a secure anchor point.



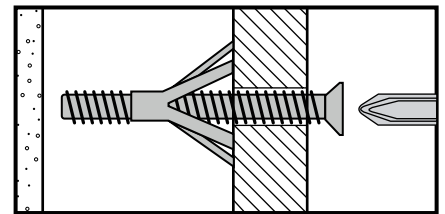
### 1. General Purpose Wall Plug

Generally, aerated blocks should not be used to support heavy loads, use a specialist fitting in this case. For light loads, general purpose wall plugs can be used.



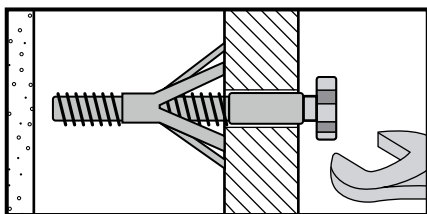
### 2. Plasterboard Wall Plug

For use when attaching light loads onto plasterboard partitions.



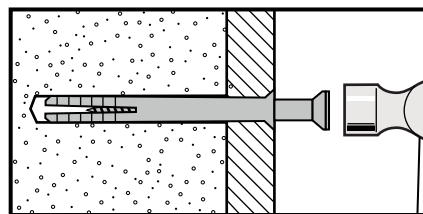
### 3. Cavity Fixing Wall Plug

For use with plasterboard partitions or hollow wooden doors.



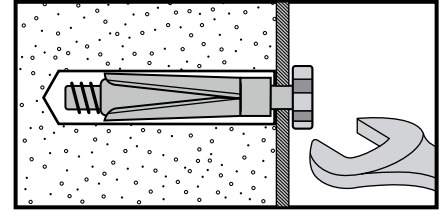
### 4. Cavity Fixing Heavy Duty Wall Plug

For use when fitting or supporting heavy loads such as shelving and wall cabinets.



### 5. Hammer Fixing Wall Plug

For use with concrete block or brick walls, or walls stuck with plasterboard. The hammer fixing allows it to be fixed to the wall rather than the plasterboard. Always check the fixing is secure to the retaining wall.



### 6. Shield Anchor Wall Plug Heavy Loads

For use with concrete or brick walls, or for use with heavier loads such as TV & HiFi speakers and satellite dishes, etc.