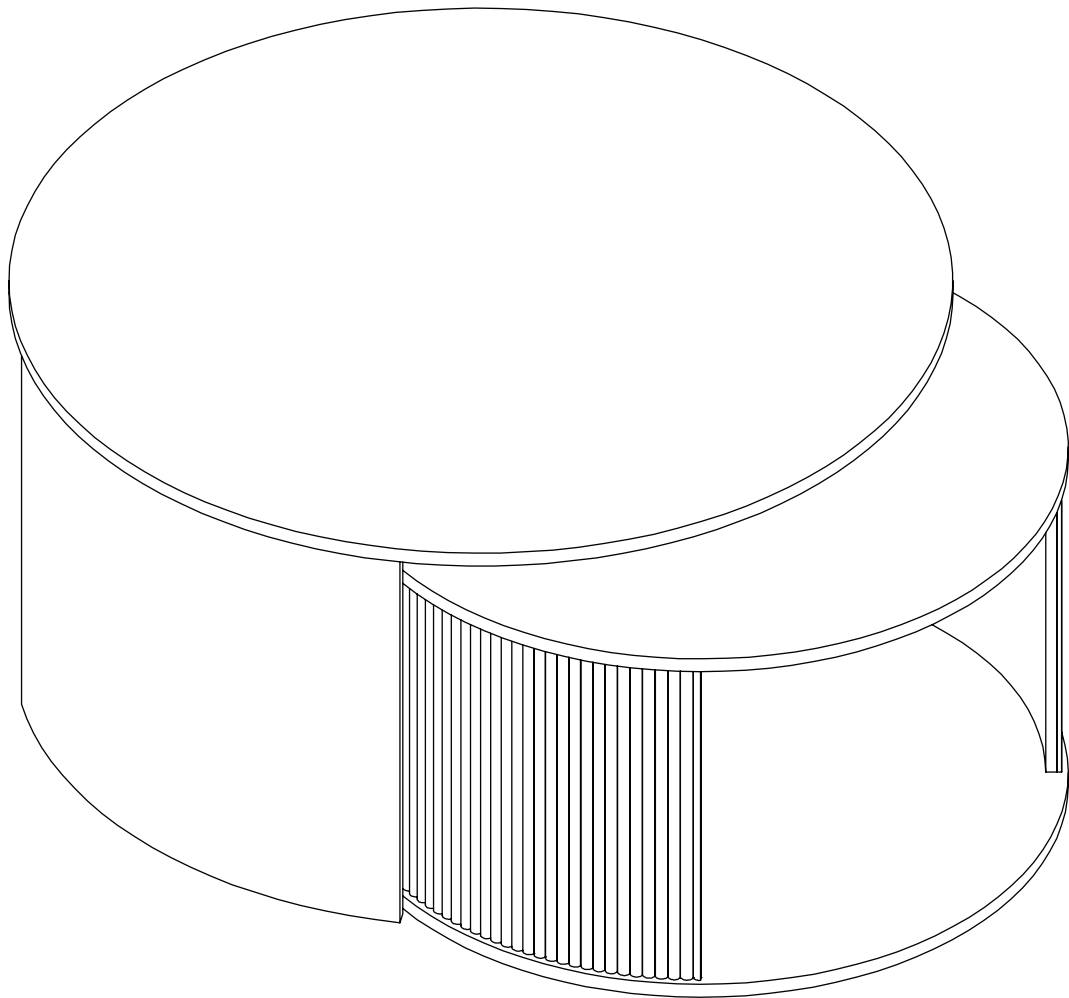


COFFEE TABLE SET OF 2

ASSEMBLY INSTRUCTIONS



TIPS BEFORE YOU START

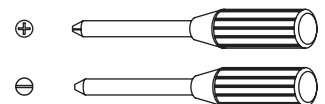
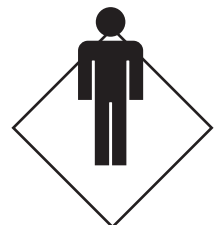
1. Please check that all parts are present before you start the assembly of your furniture.
2. For ease and speed of assembly, we recommend that before you commence each step of the assembly, that you identify all the parts required for that step.
3. For larger items, please ensure that you have sufficient space and people to assemble your product safely.
4. We recommend that, where possible, all items are assembled near to the area in which they will be placed in use, to avoid moving the product unnecessarily once assembled.
5. For the protection of your furniture, we recommend that the product is placed on a protected surface during assembly to prevent any damage.
6. During assembly please take care not to over-tighten any fittings, as this may damage the product. Do not use power tools.
7. Always place the product on a flat, steady and stable surface.
8. Do not stand on the product. Do not use the product as a stepladder.
9. This product is intended for indoor, household use only as it is a non-industrial product.
10. Please use caution and care when lifting the product to avoid personal injury and/or product damage.

CARE AND MAINTENANCE OF YOUR FURNITURE

- Please periodically check all fittings and re-tighten as necessary.
- To clean your item, please use a damp cloth and wipe clean.
- To clean glass, please use glass cleaner.
- Never allow any kind of liquid to remain on your furniture. Absorption can cause wood to warp or finishes to de-laminate.
- Please do not place hot items (eg. hot drinks) directly on to the surface.
- Please do not drag or pull your furniture.

ASSEMBLY REQUIREMENTS

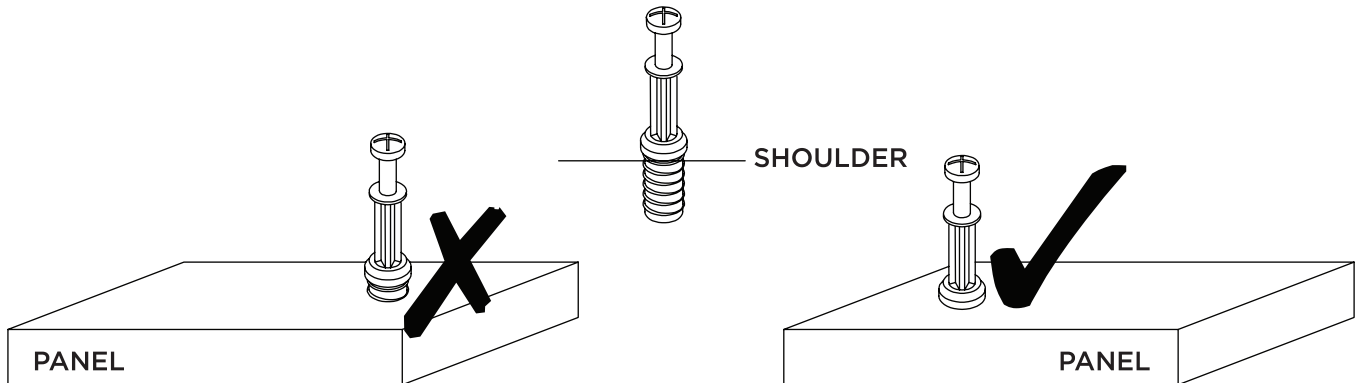
- Equipment: phillips head screwdriver, flat head screwdriver
- 1 x adult required
- 1m x 1.5m assembly space required
- 1 hour assembly time approx.



USING CAM LOCK AND QUICKFIT

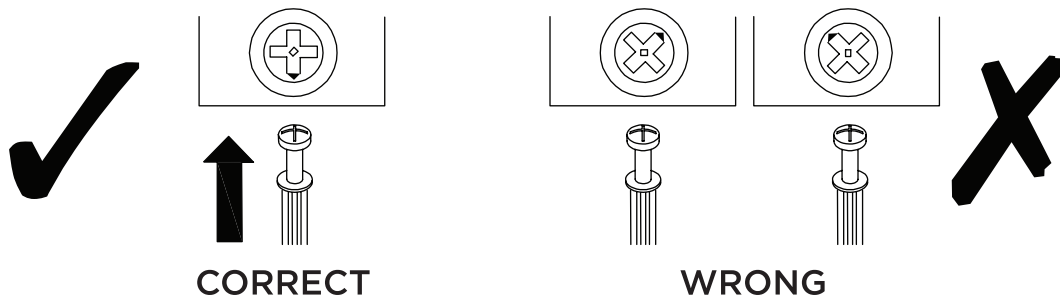
QUICKFIT

Tighten quickfit until shoulder is flush with panel. Do not overtighten or undertighten.



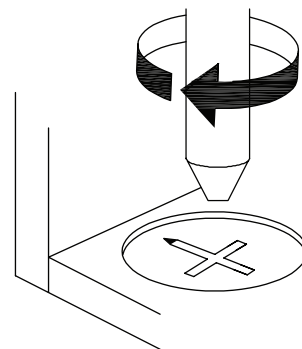
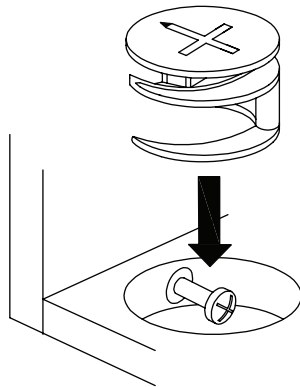
CAM LOCK

When fitting cam lock, ensure starting position is correct before you insert connecting quickfit.



Quickfit head should be in the centre of the cam lock when the two panels are joined.
Cam lock should be inserted before quickfit.

Turn cam lock clockwise to tighten.



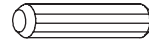
HARDWARE LIST



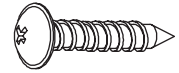
24 x A
Quickfit Screw



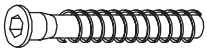
24 x B
Cam Lock



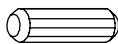
12 x C
Long Wooden Dowel



6 x D
Screw



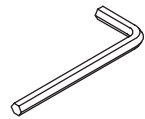
6 x E
Screw



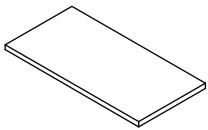
2 x F
Wooden Dowel



32 x G
Screw



1 x H
Allen Key

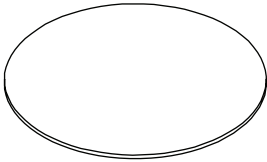


8 x I
Pad

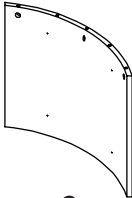


8 x J
Bracket

PARTS LIST



1
1 PC



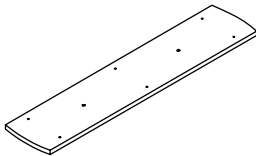
2
2 PCS



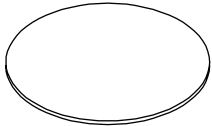
3
2 PCS



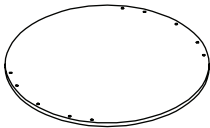
4
2 PCS



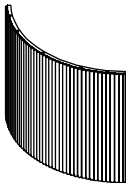
5
1 PC



6
1 PC



7
1 PC

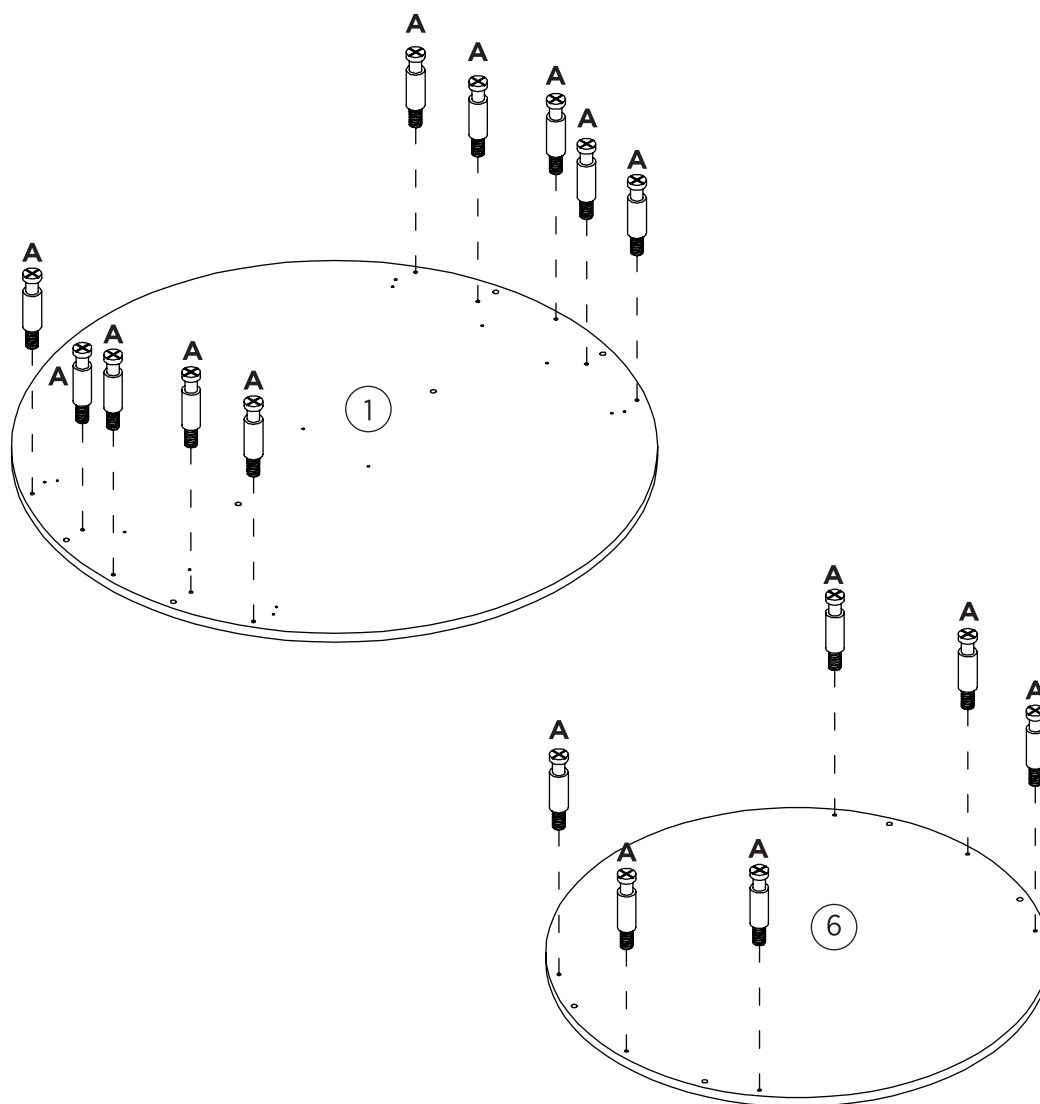
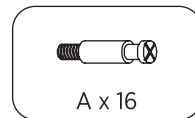


8
2 PCS

ASSEMBLY INSTRUCTIONS

STEP 1

Fix quickfit screws (A) to parts 1 and 6, as shown.



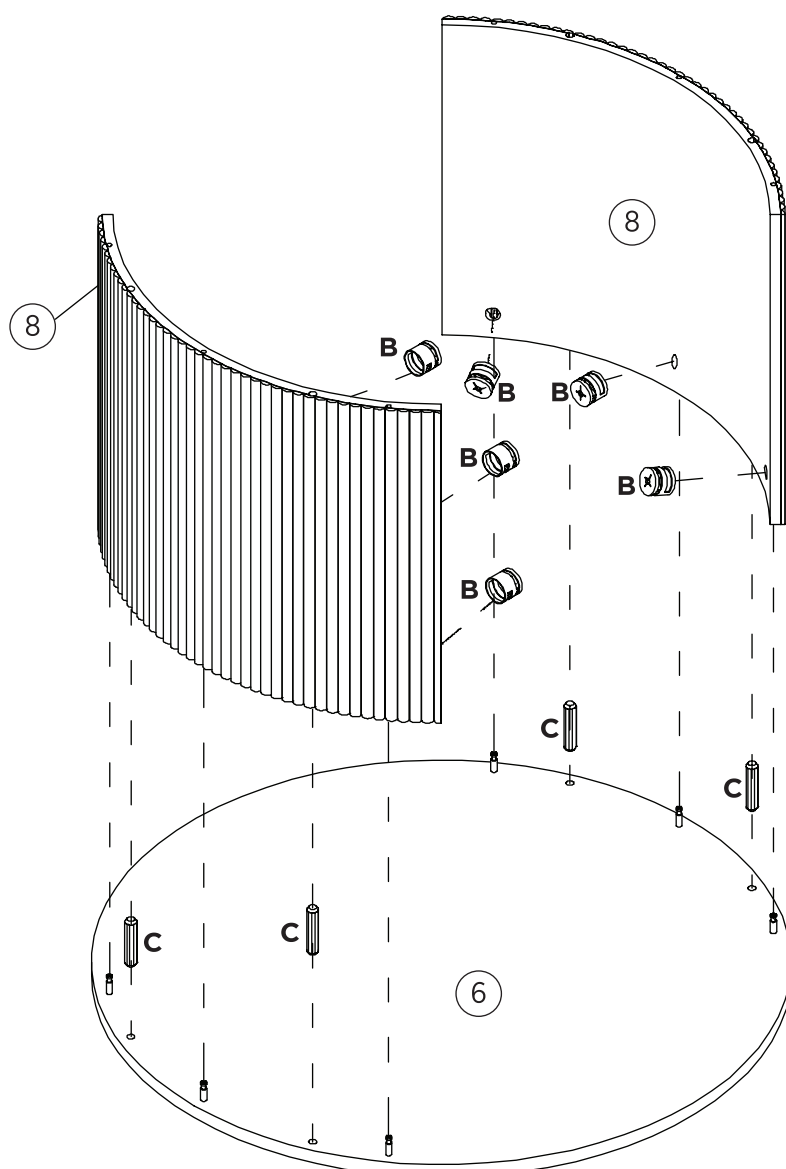
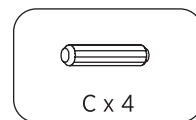
ASSEMBLY INSTRUCTIONS

STEP 2

Insert cam locks (B) and wooden dowels (C) to parts 8.

Attach parts 8 to part 6, as shown.

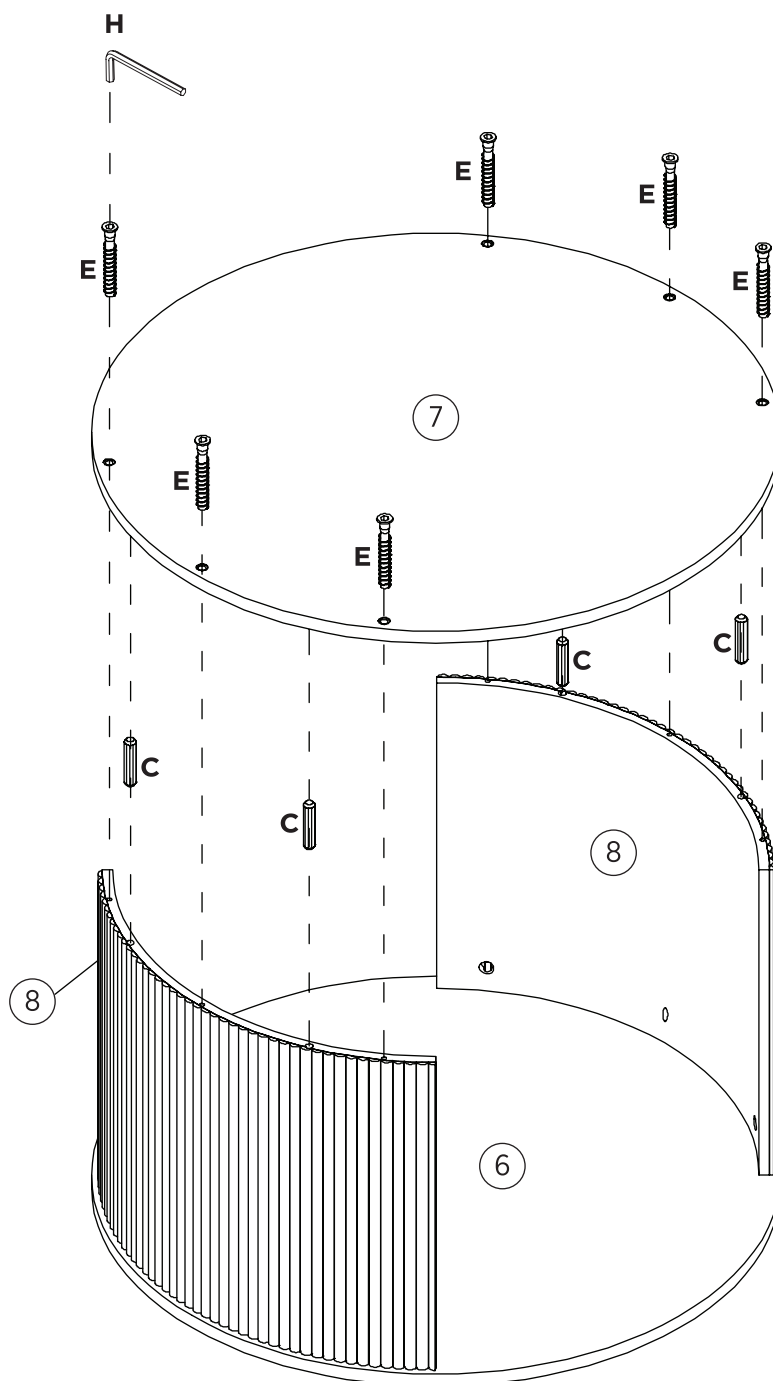
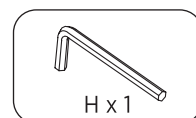
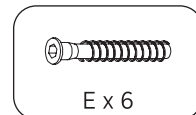
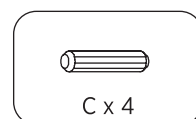
Turn cam locks clockwise to tighten.



ASSEMBLY INSTRUCTIONS

STEP 3

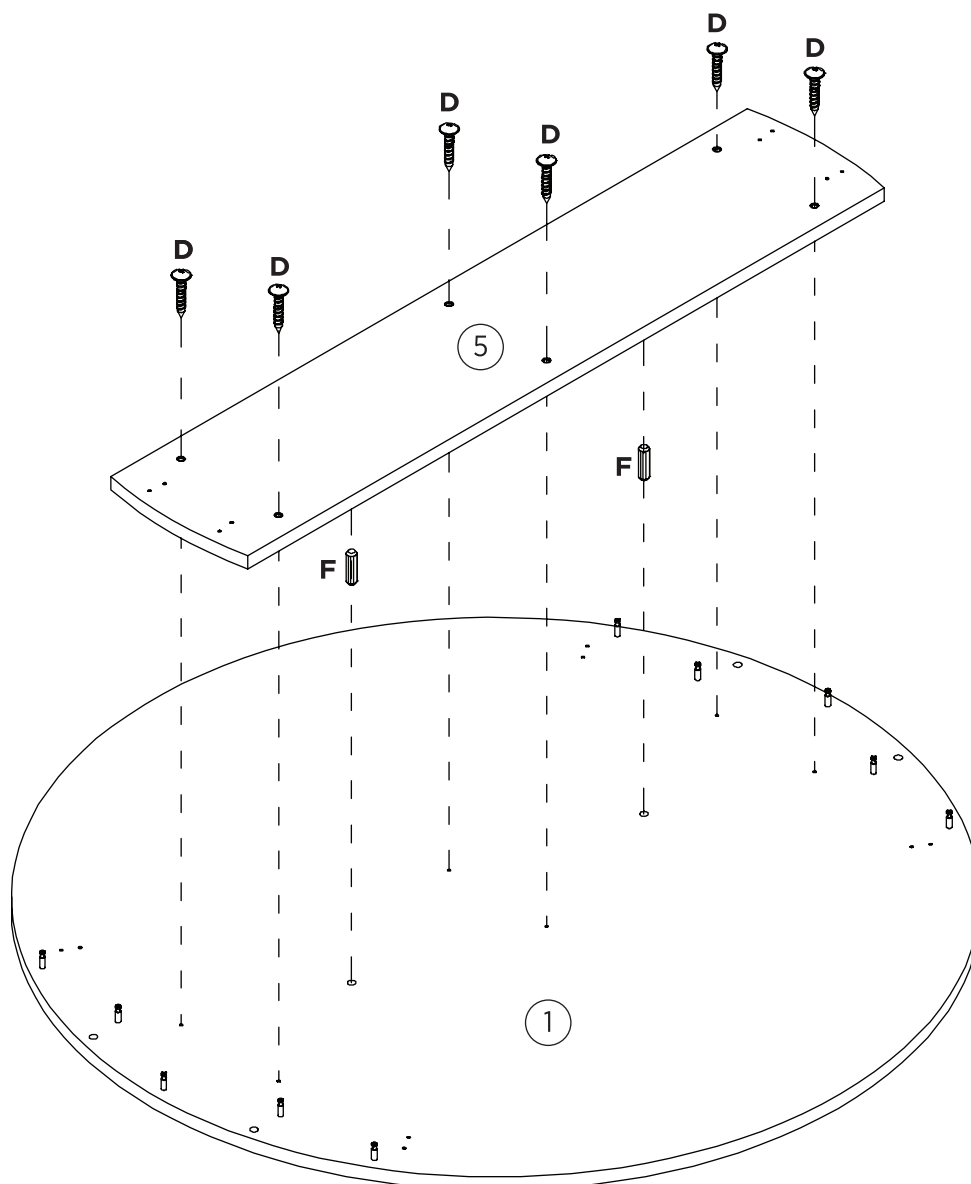
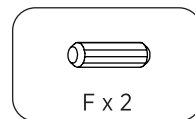
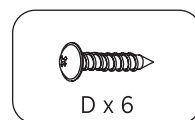
Fix part 7 to parts 8 using screws (E) and wooden dowels (C), as shown.



ASSEMBLY INSTRUCTIONS

STEP 4

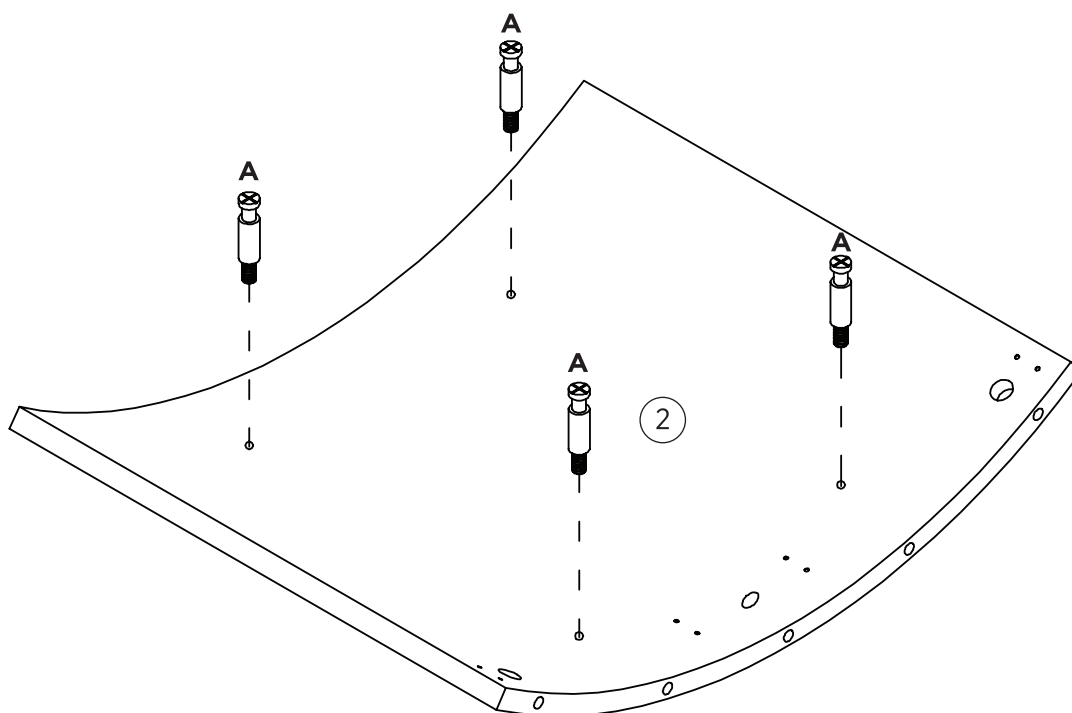
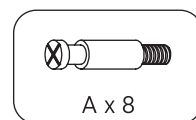
Fix part 5 to part 1 using screws (D) and wooden dowels (F), as shown.



ASSEMBLY INSTRUCTIONS

STEP 5

Insert quickfit screws (A) to parts 2, as shown.



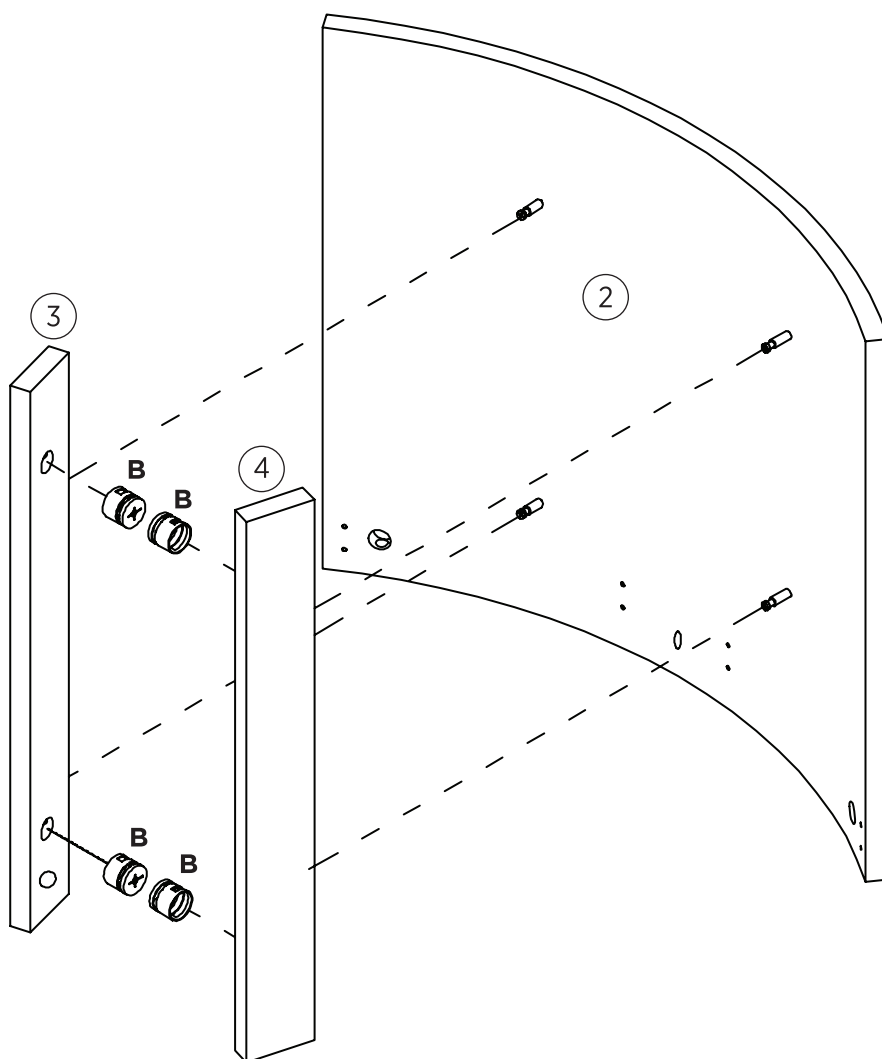
x2

ASSEMBLY INSTRUCTIONS

STEP 6

Fix part 2 to parts 3 and 4 using cam locks (B), as shown.

Turn cam locks clockwise to tighten.



x2

ASSEMBLY INSTRUCTIONS

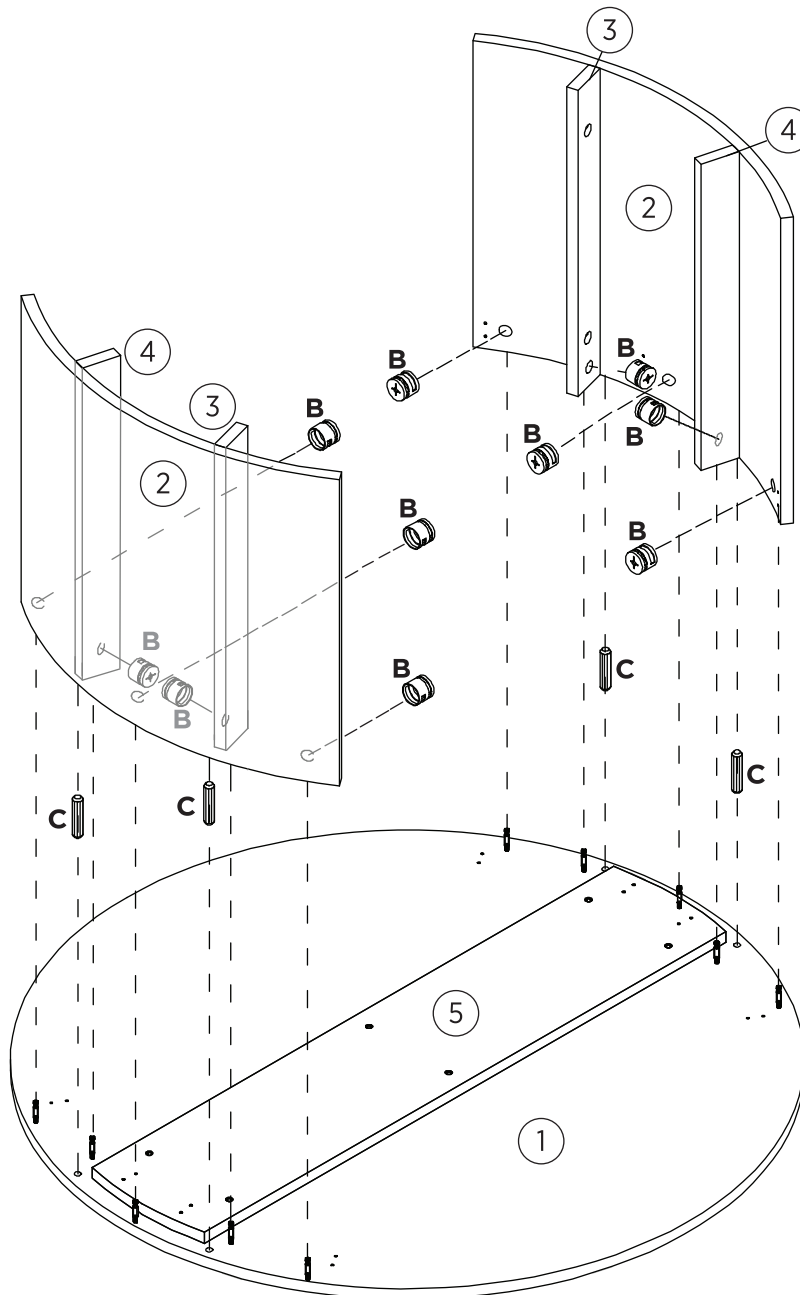
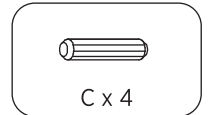
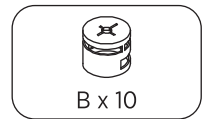
STEP 7

Insert cam locks (B) to parts 2, 3 and 4.

Insert wooden dowels (C) to part 2.

Attach parts 2,3 and 4 to part 1, as shown.

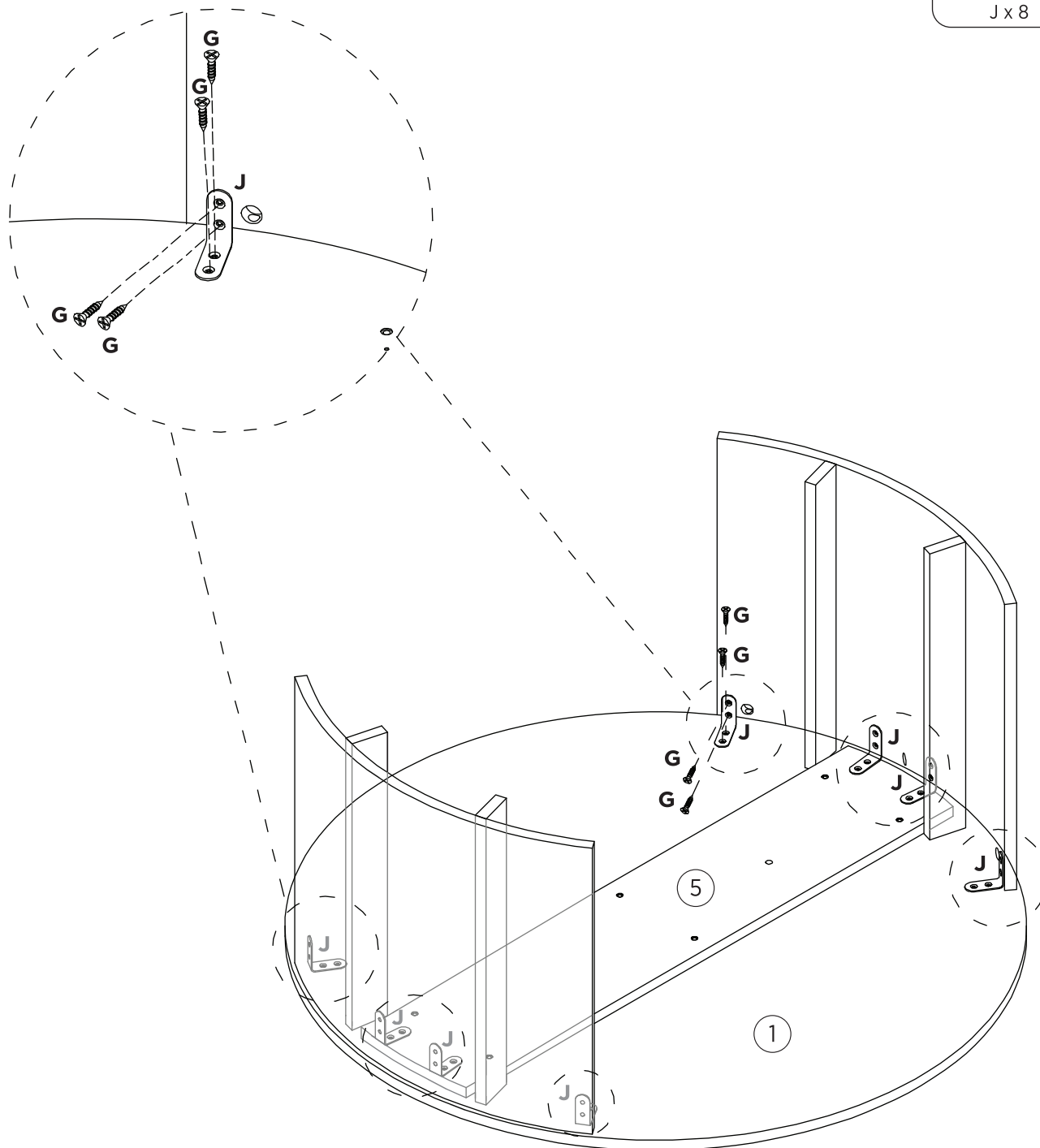
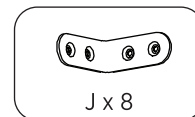
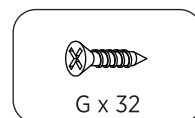
Turn cam locks clockwise to tighten.



ASSEMBLY INSTRUCTIONS

STEP 8

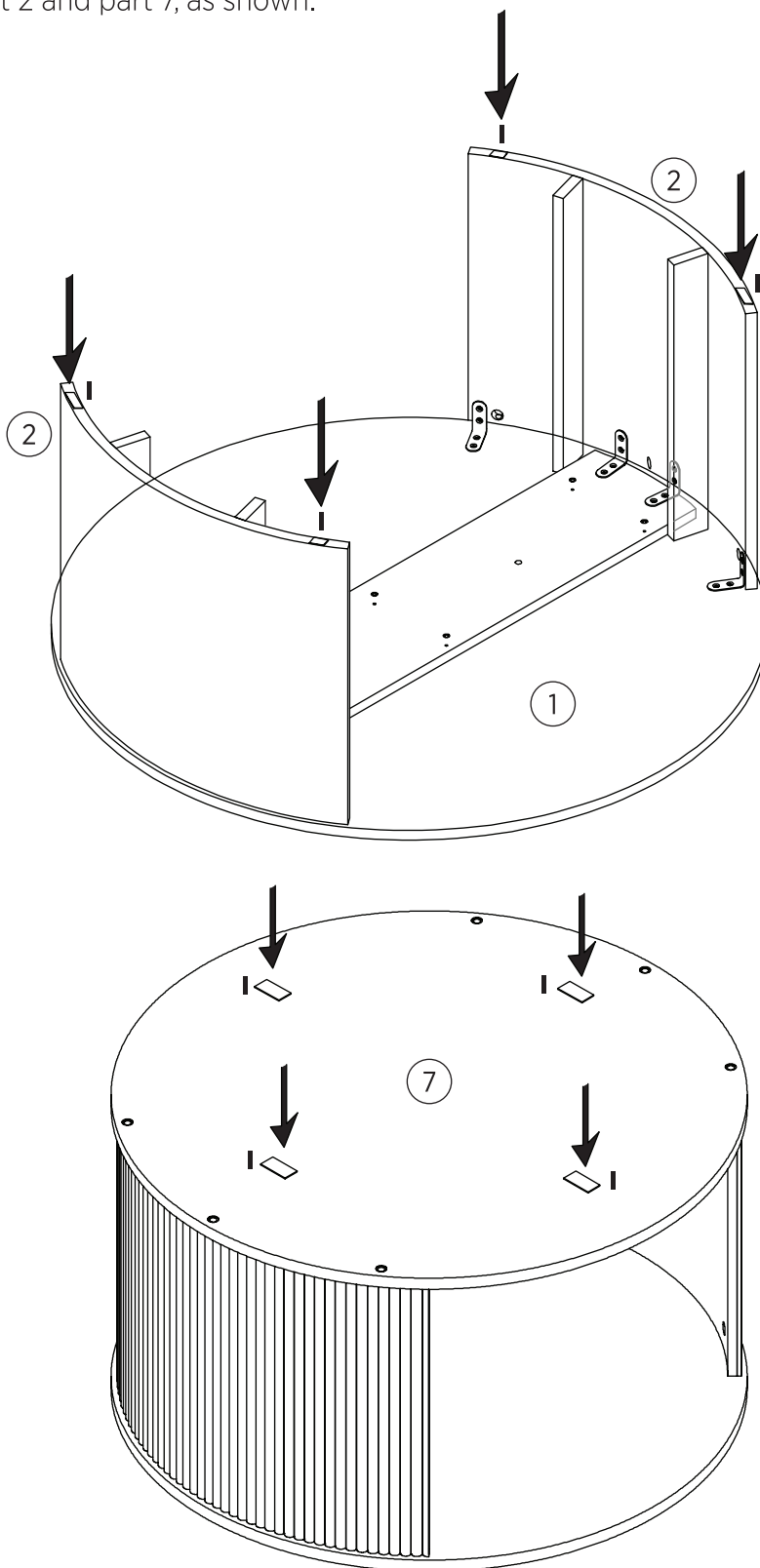
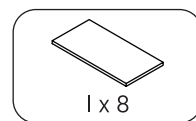
Fix brackets (G) to parts 1 and 5 using screws (G), shown.



ASSEMBLY INSTRUCTIONS

STEP 9

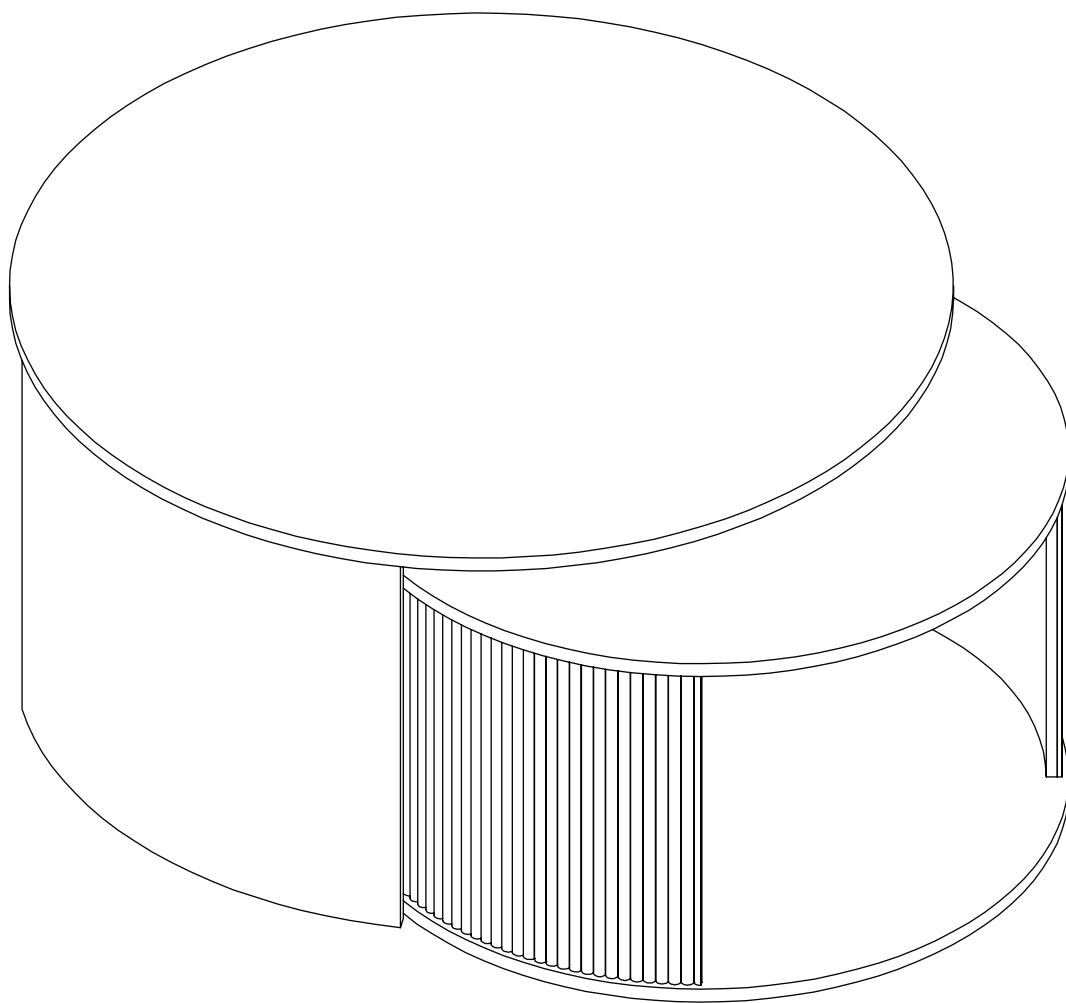
Paste pad (I) to part 2 and part 7, as shown.



ASSEMBLY INSTRUCTIONS

STEP 10

Carefully turn tables into upright position.



Maximum recommended weight is 5kg on top.

Your Coffee Table Set of 2 is ready for use.