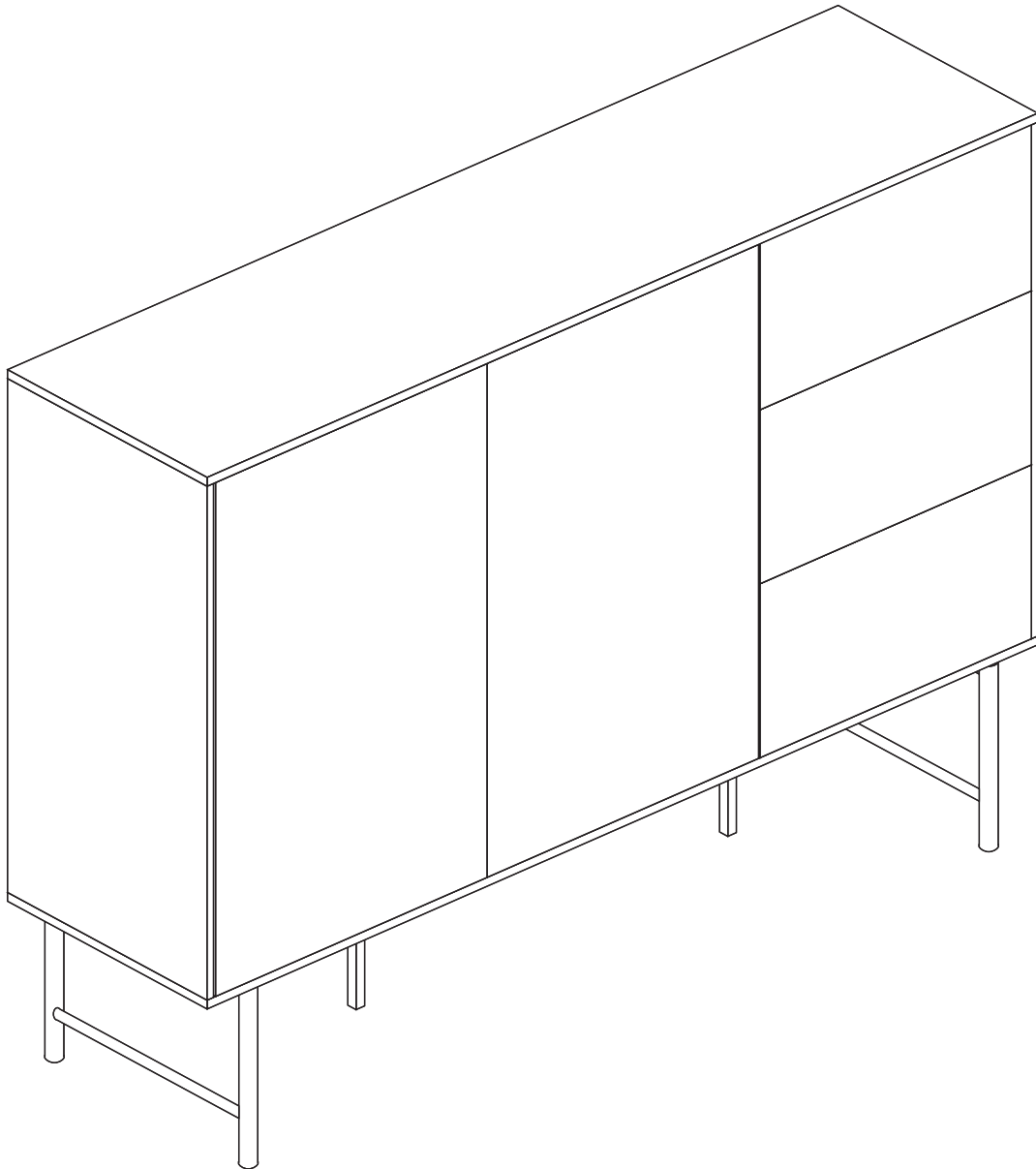


BUFFET 2 DOORS 3 DRAWERS

ASSEMBLY INSTRUCTIONS

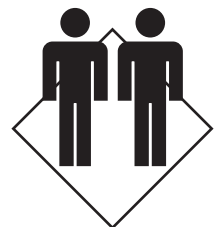


TIPS BEFORE YOU START

1. Please check that all parts are present before you start the assembly of your furniture.
2. For ease and speed of assembly, we recommend that before you commence each step of the assembly, that you identify all the parts required for that step.
3. For larger items, please ensure that you have sufficient space and people to assemble your product safely.
4. We recommend that, where possible, all items are assembled near to the area in which they will be placed in use, to avoid moving the product unnecessarily once assembled.
5. For the protection of your furniture, we recommend that the product is placed on a protected surface during assembly to prevent any damage.
6. During assembly please take care not to over-tighten any fittings, as this may damage the product. Do not use power tools.
7. Always place the product on a flat, steady and stable surface.
8. Do not stand on the product. Do not use the product as a stepladder.
9. This product is intended for indoor, household use only as it is a non-industrial product.
10. Please use caution and care when lifting the product to avoid personal injury and/or product damage.

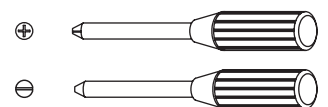
CARE AND MAINTENANCE OF YOUR FURNITURE

- Please periodically check all fittings and re-tighten as necessary.
- To clean your item, please use a damp cloth and wipe clean.
- To clean glass, please use glass cleaner.
- Never allow any kind of liquid to remain on your furniture. Absorption can cause wood to warp or finishes to de-laminate.
- Please do not place hot items (eg. hot drinks) directly on to the surface.
- Please do not drag and pull your furniture.



ASSEMBLY REQUIREMENTS

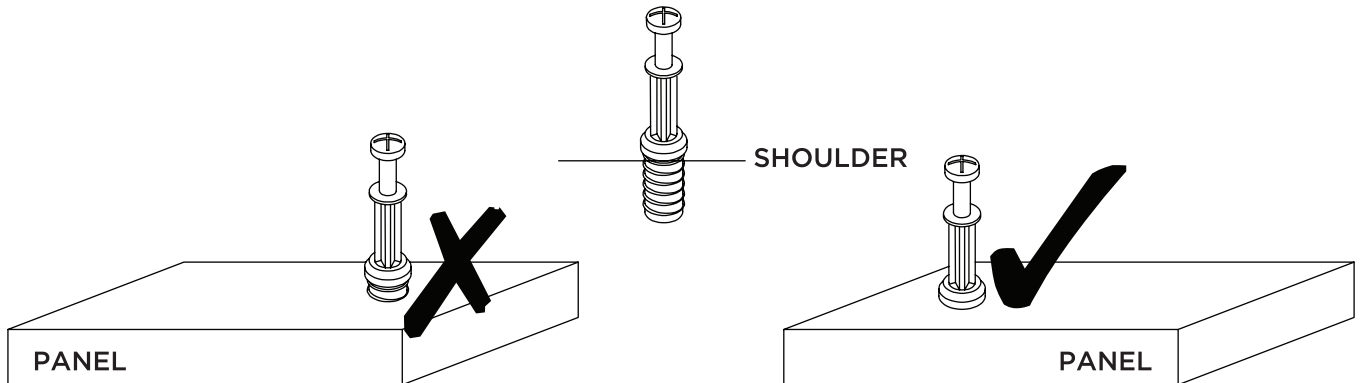
- Equipment: phillips head screwdriver, flat head screwdriver
- 2 x adults required
- 2m x 2m assembly space required
- 2 hour assembly time approx.



USING CAM LOCK AND QUICKFIT

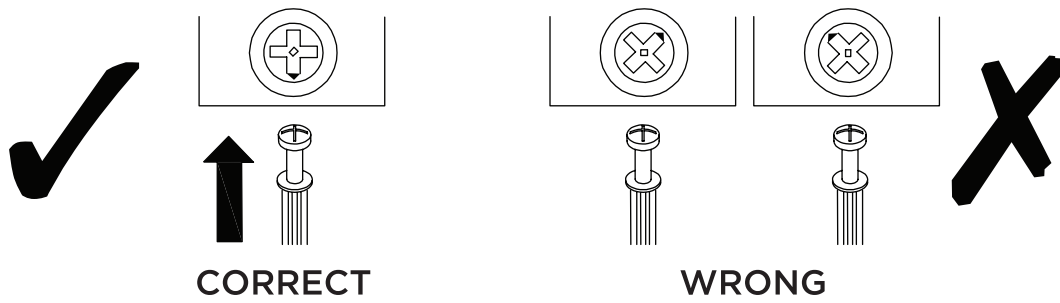
QUICKFIT

Tighten quickfit until shoulder is flush with panel. Do not overtighten or undertighten.



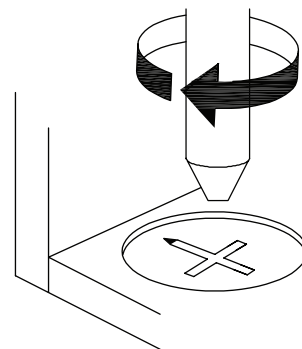
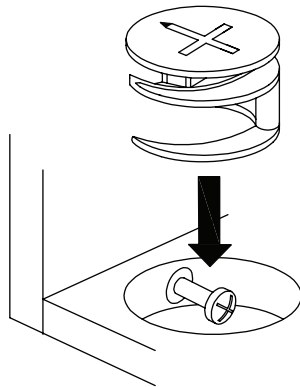
CAM LOCK

When fitting cam lock, ensure starting position is correct before you insert connecting quickfit.

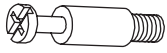


Quickfit head should be in the centre of the cam lock when the two panels are joined.
Cam lock should be inserted before quickfit.

Turn cam lock clockwise to tighten.



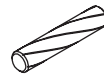
HARDWARE LIST



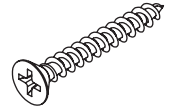
24 x A
Quickfit Screw



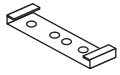
24 x B
Cam Lock



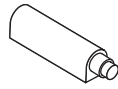
20 x C
Wooden Dowel



10 x D
Screw



5 x E
Drawer Opener



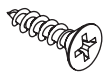
5 x F
Catch



2 x G
Screw



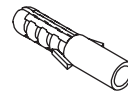
8 x H
Wedge



41 x I
Screw



8 x J
Shelf Support



2 x K
Wall Plug



4 x L
Washer



2 x M
Wall Strap



8 x N
Screw

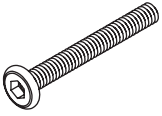


4 x O
Bolt

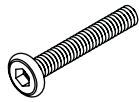


5 x P
Magnet

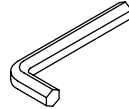
HARDWARE LIST



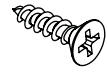
10 x Q
Bolt



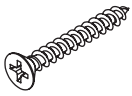
4 x R
Bolt



1 x S
Allen Key



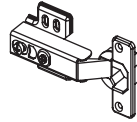
10 x T
Screw



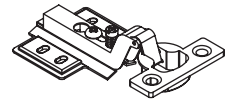
12 x U
Screw



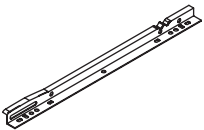
24 x V
Screw



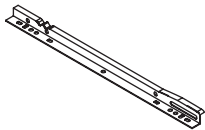
2 x W
Hinge



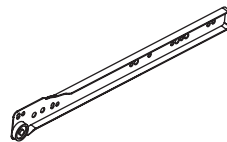
2 x X
Hinge



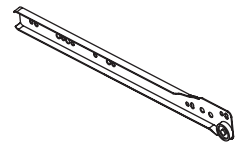
3 x DL
Inner Drawer Runner
Left



3 x DR
Inner Drawer Runner
Right

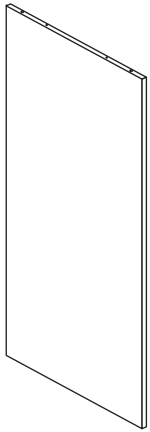


3 x CL
Outer Drawer Runner
Right

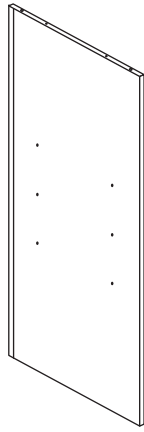


3 x CR
Outer Drawer Runner
Left

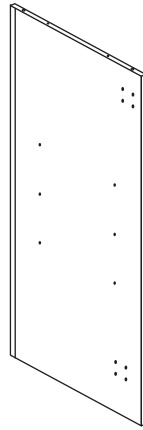
PARTS LIST



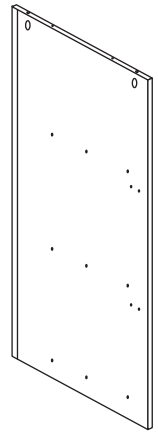
1
1 PC



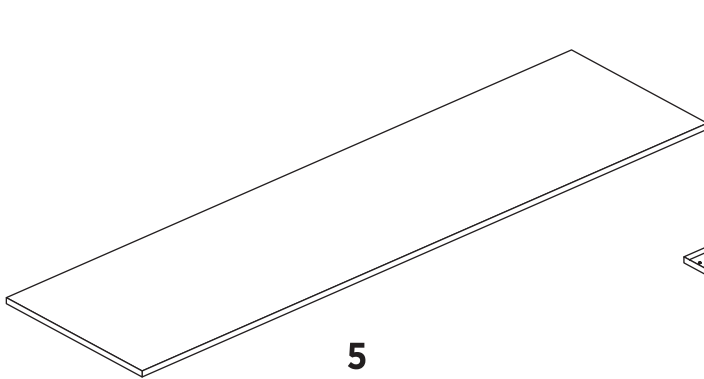
2
1 PC



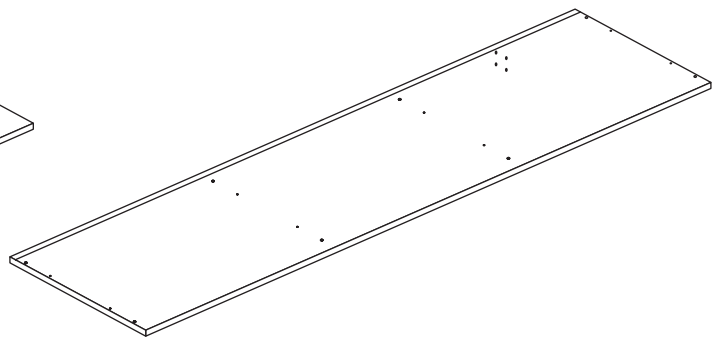
3
1 PC



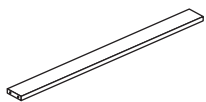
4
1 PC



5
1 PC



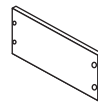
6
1 PC



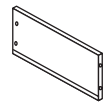
7
2 PCS



8
3 PCS

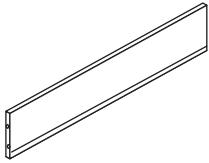


9
3 PCS

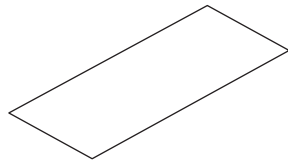


10
3 PCS

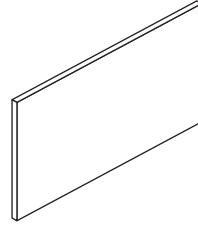
PARTS LIST



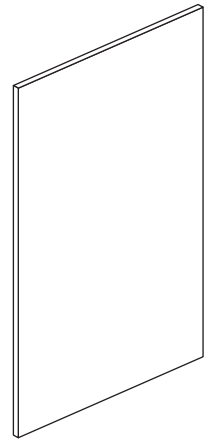
11
3 PCS



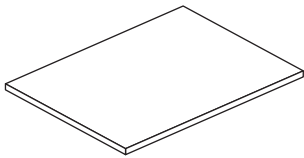
12
3 PCS



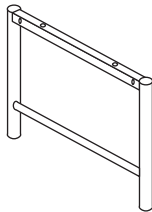
13
1 PC



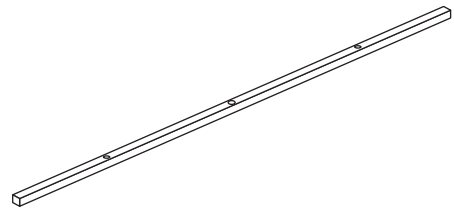
14
1 PC



15
2 PCS



16
2 PCS



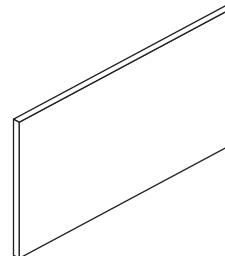
17
2 PCS



18
2 PCS



19
1 PC



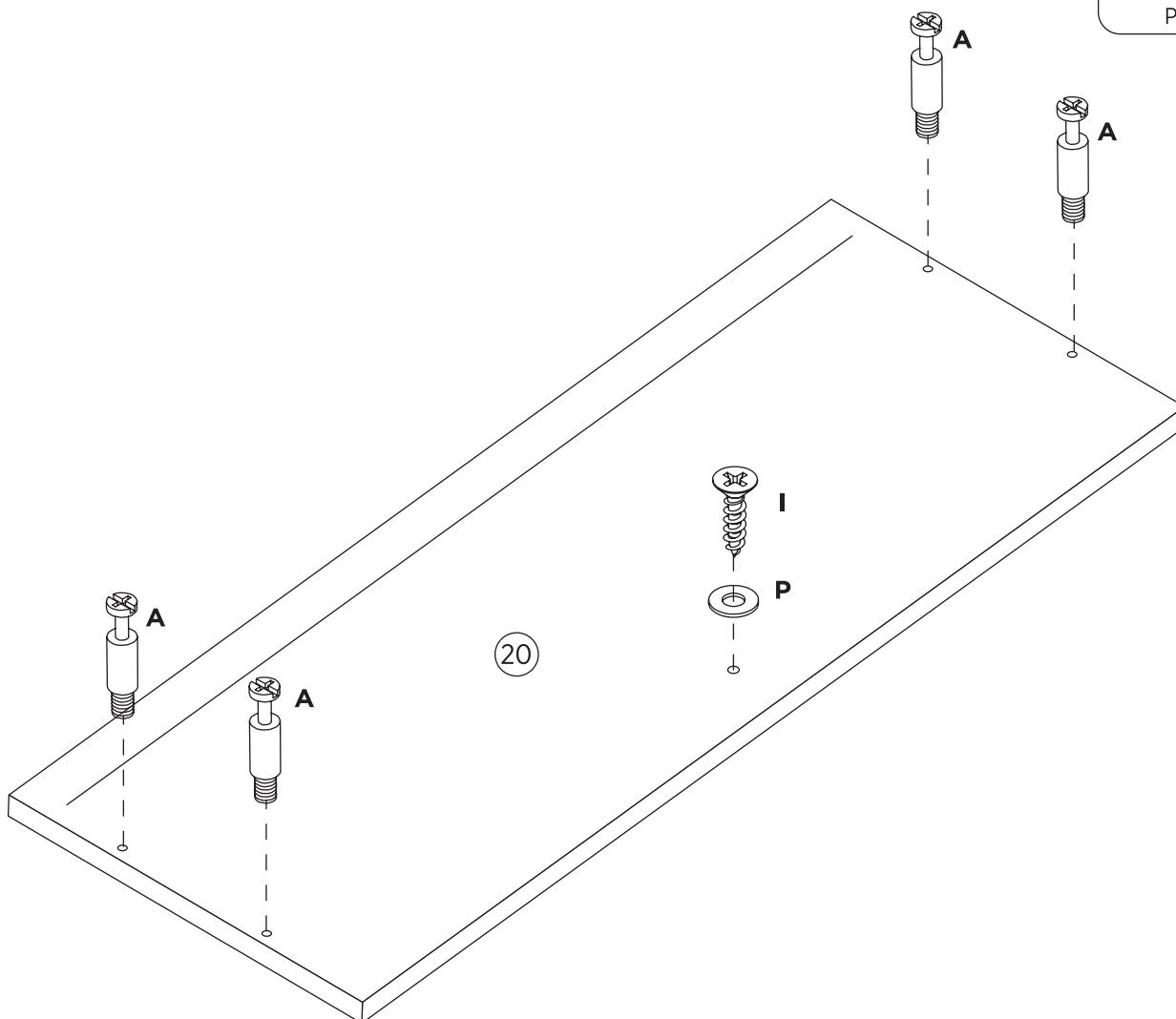
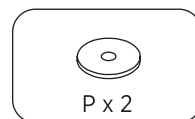
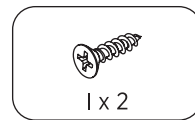
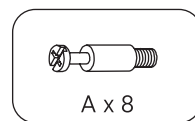
20
2 PCS

ASSEMBLY INSTRUCTIONS

STEP 1

Insert quickfit screws (A) to parts 20.

Fix magnets (P) to parts 20 using screws (I), as shown.



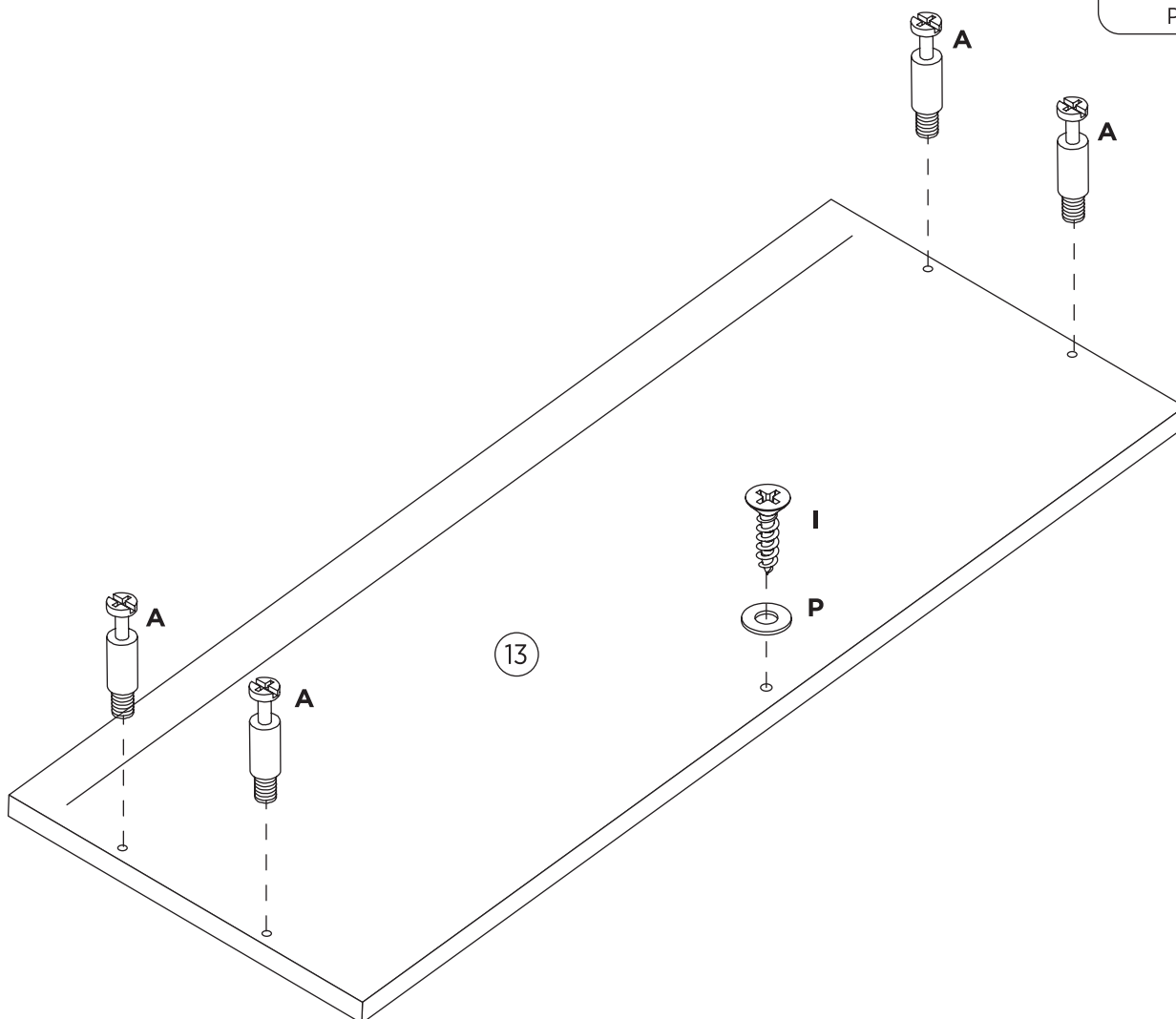
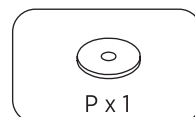
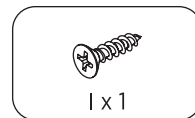
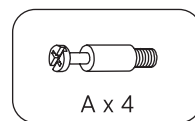
x2

ASSEMBLY INSTRUCTIONS

STEP 2

Insert quickfit screws (A) to part 13.

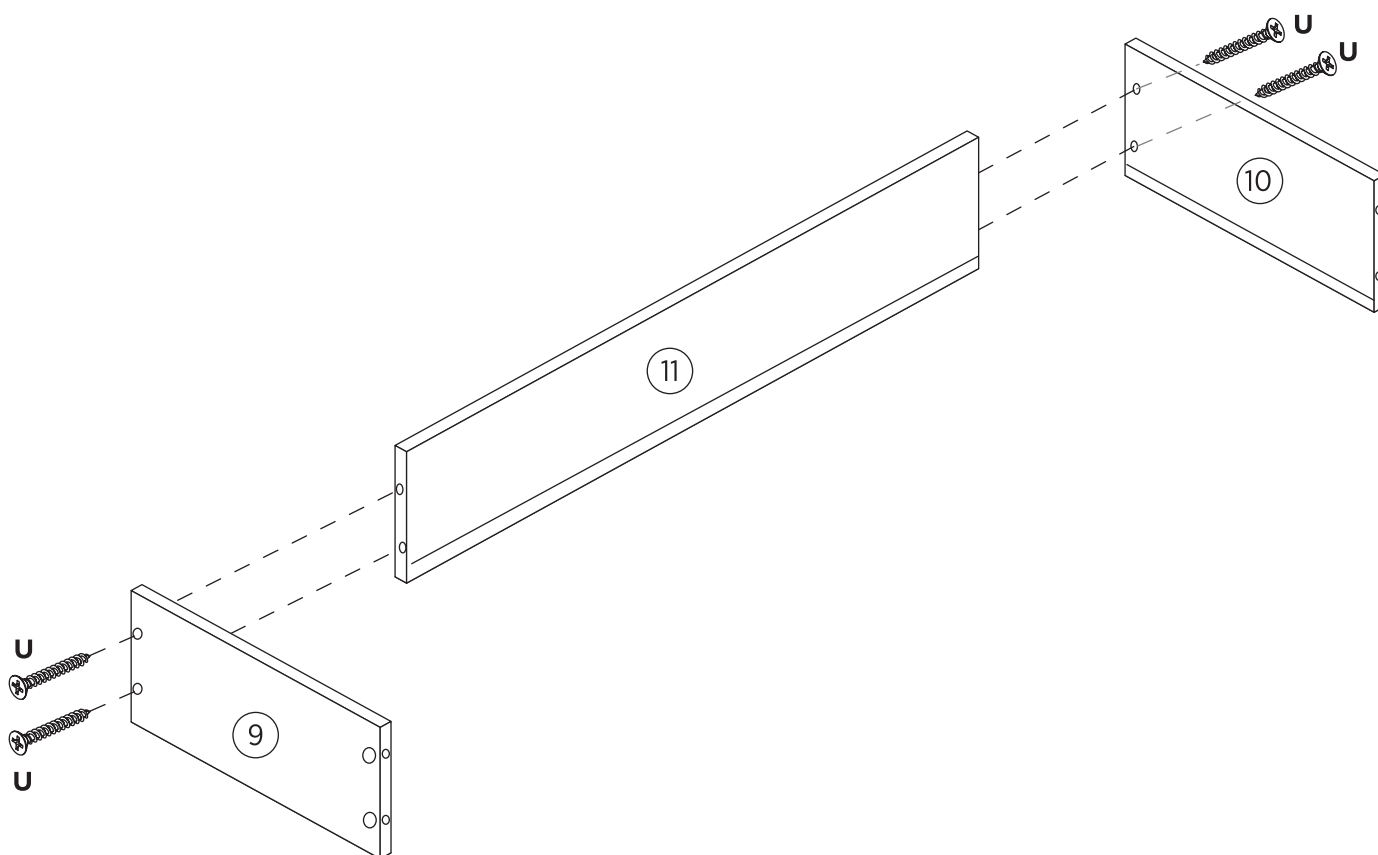
Fix magnet (P) to part 13 using screw (I), as shown.



ASSEMBLY INSTRUCTIONS

STEP 3

Fix parts 9 and 10 to parts 11 using screws (U), as shown.

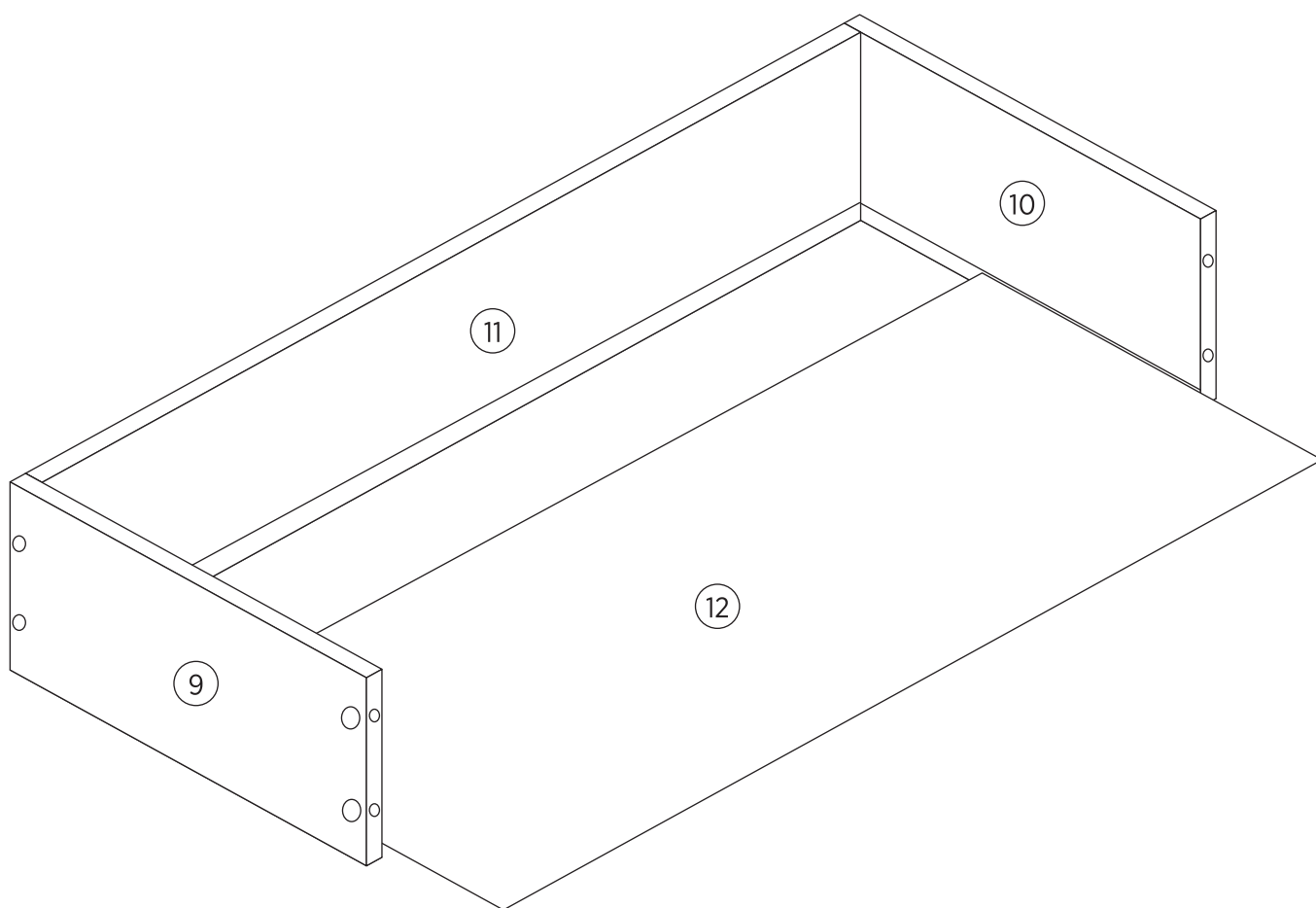


x3

ASSEMBLY INSTRUCTIONS

STEP 4

Insert parts 12 into grooves between parts 9, 10 and 11, as shown.



x3

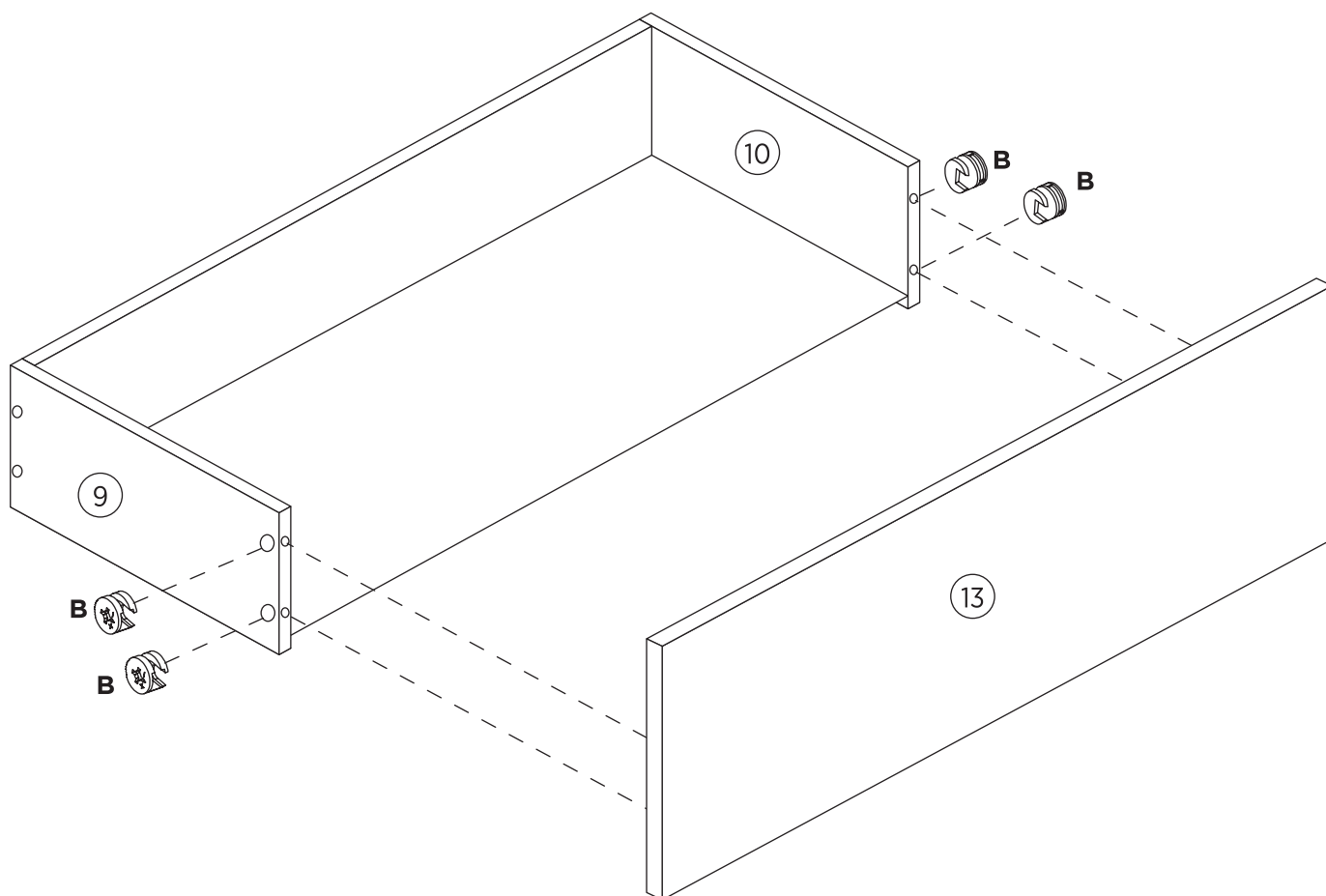
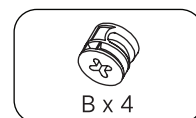
ASSEMBLY INSTRUCTIONS

STEP 5

Insert cam locks (B) to parts 9 and 10.

Attach part 13 to parts 9 and 10, as shown.

Turn cam locks clockwise to tighten.



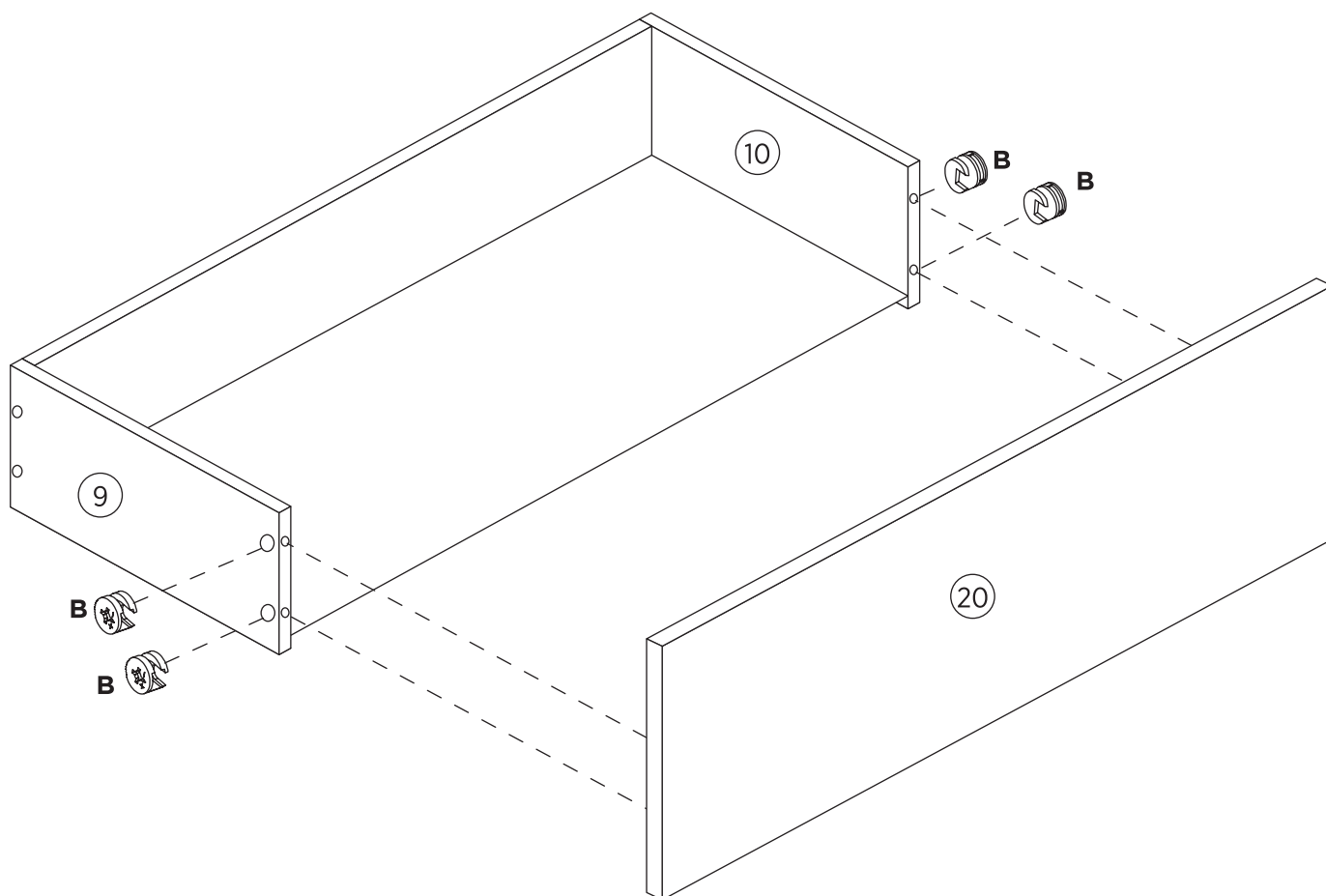
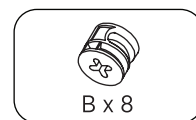
ASSEMBLY INSTRUCTIONS

STEP 6

Insert cam locks (B) to parts 9 and 10.

Attach parts 20 to parts 9 and 10, as shown.

Turn cam locks clockwise to tighten.

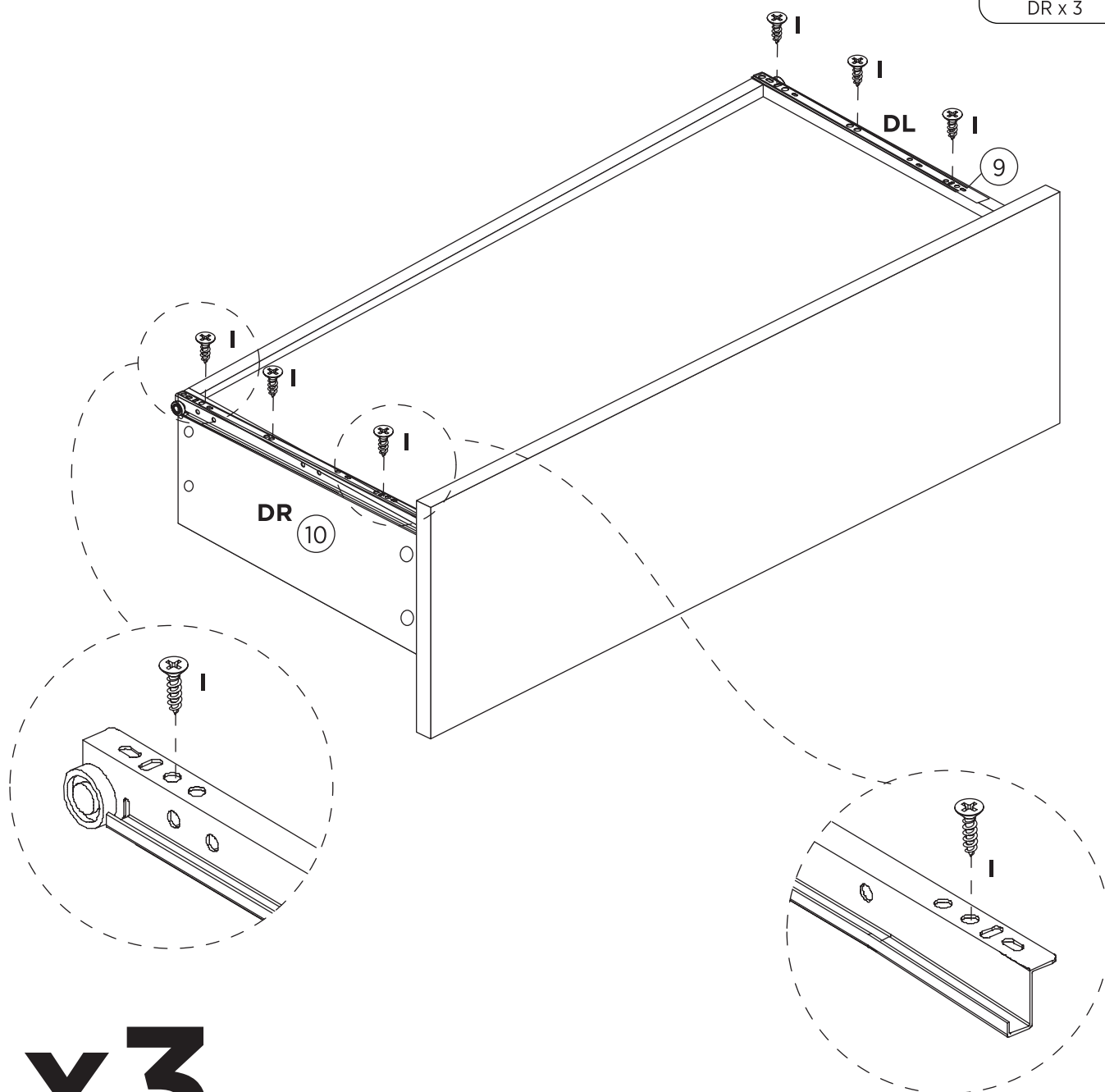
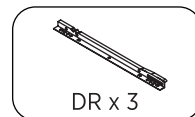
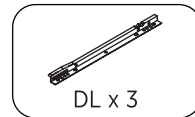
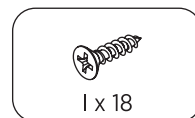


x2

ASSEMBLY INSTRUCTIONS

STEP 7

Fix inner drawer runners (DL) and (DR) to assembled drawers using screws (I), as shown.



x3

ASSEMBLY INSTRUCTIONS

STEP 8

Insert quickfit screws (A) to parts 3 and 4.

Fix outer drawer runners (CL) and (CR) to parts 3 and 4 using screws (I), as shown.



A x 4



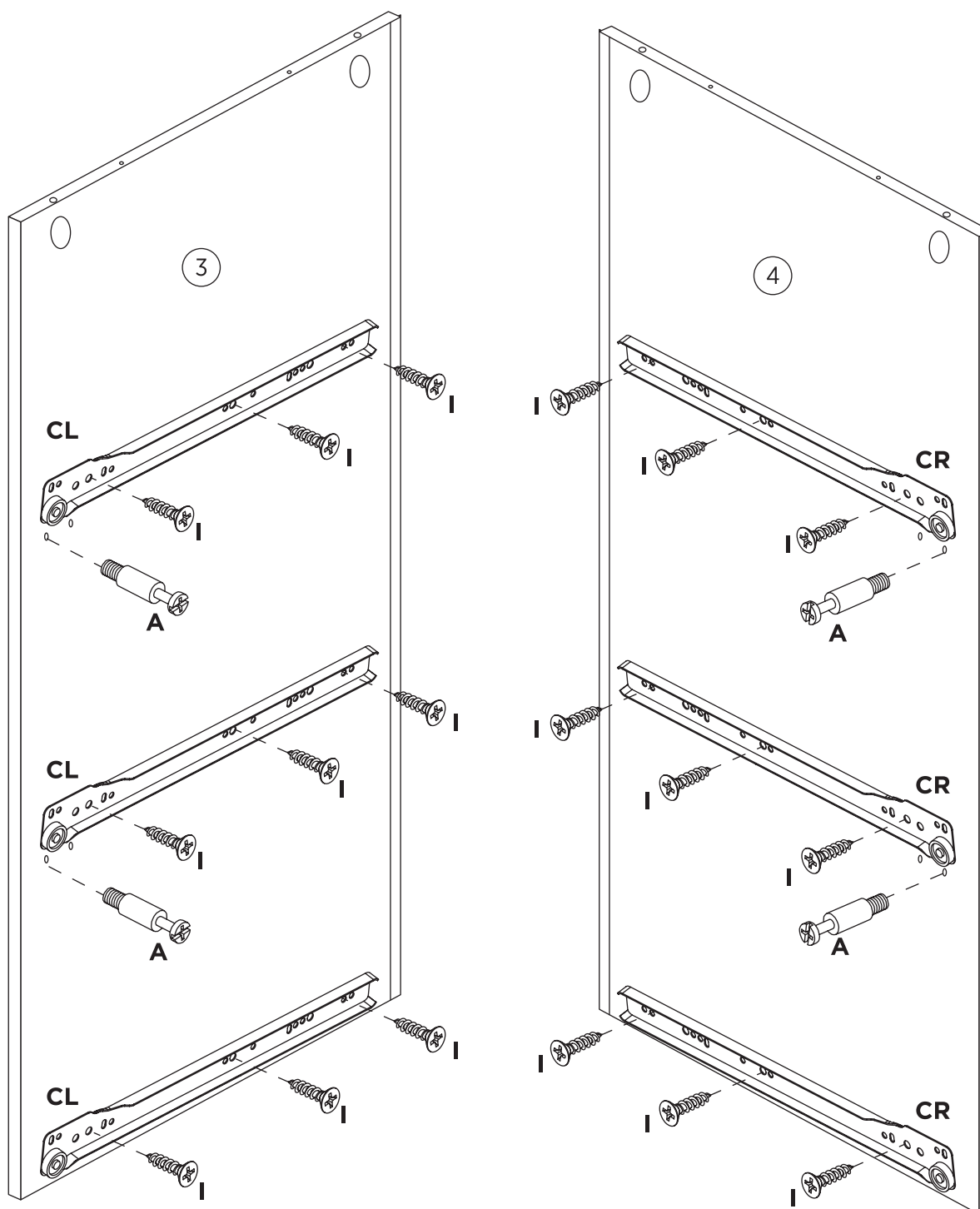
I x 18



CL x 3



CR x 3

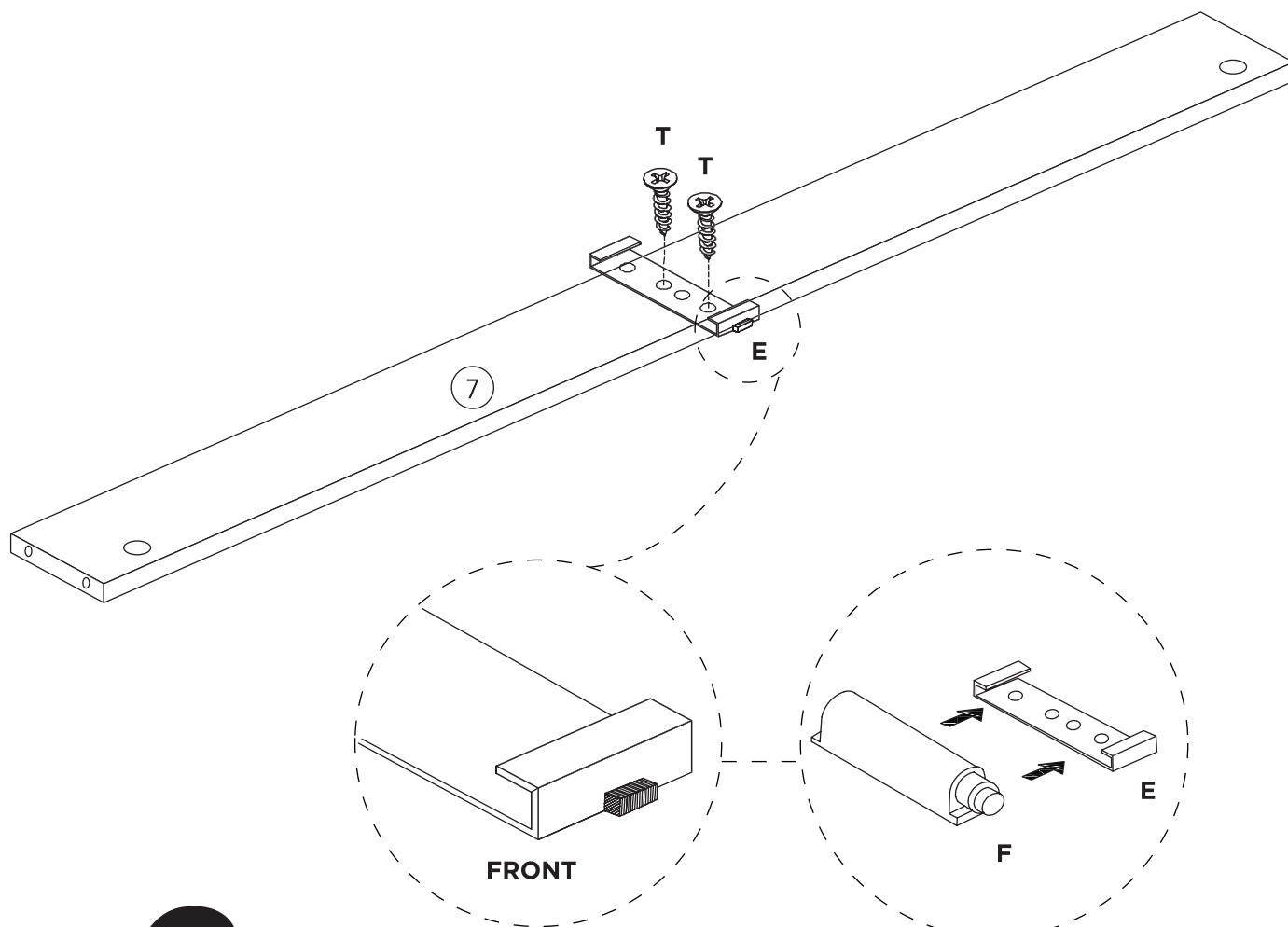
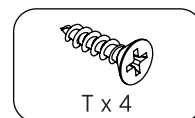
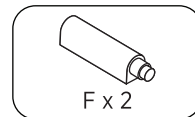
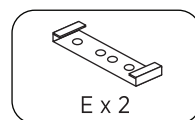


ASSEMBLY INSTRUCTIONS

STEP 9

Fix drawer openers (E) to parts 7 using screws (T).

Insert catches (F) to parts (E), as shown.



x2

ASSEMBLY INSTRUCTIONS

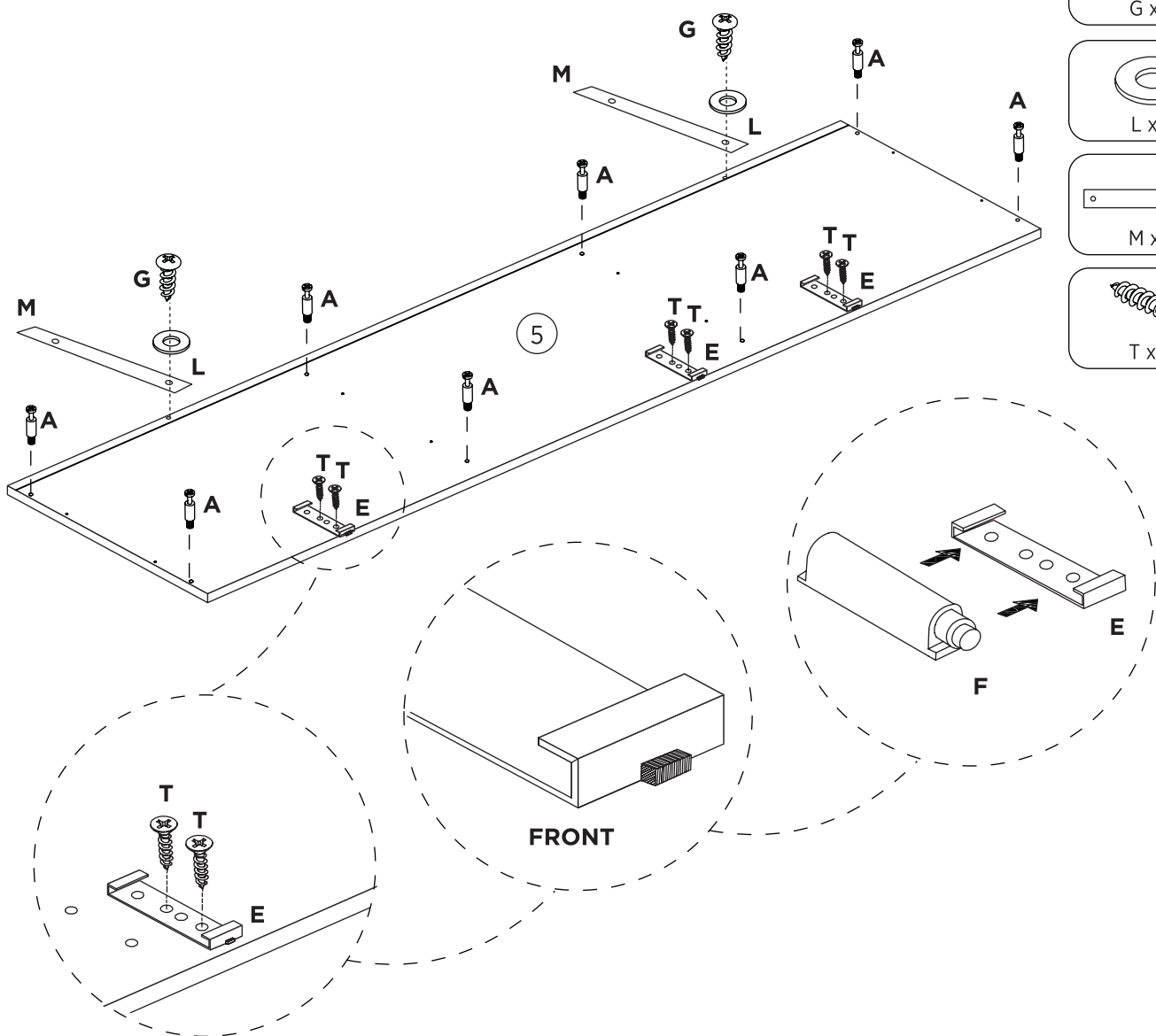
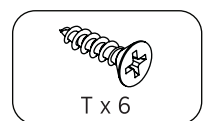
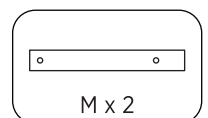
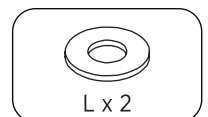
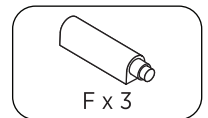
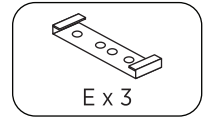
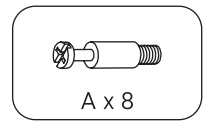
STEP 10

Insert quickfit screws (A) to part 5.

Fix drawer openers (E) to part 5 using screws (T).

Fix wall straps (M) to part 5 using washers (L) and screws (G).

Insert catches (F) to parts (E), as shown.



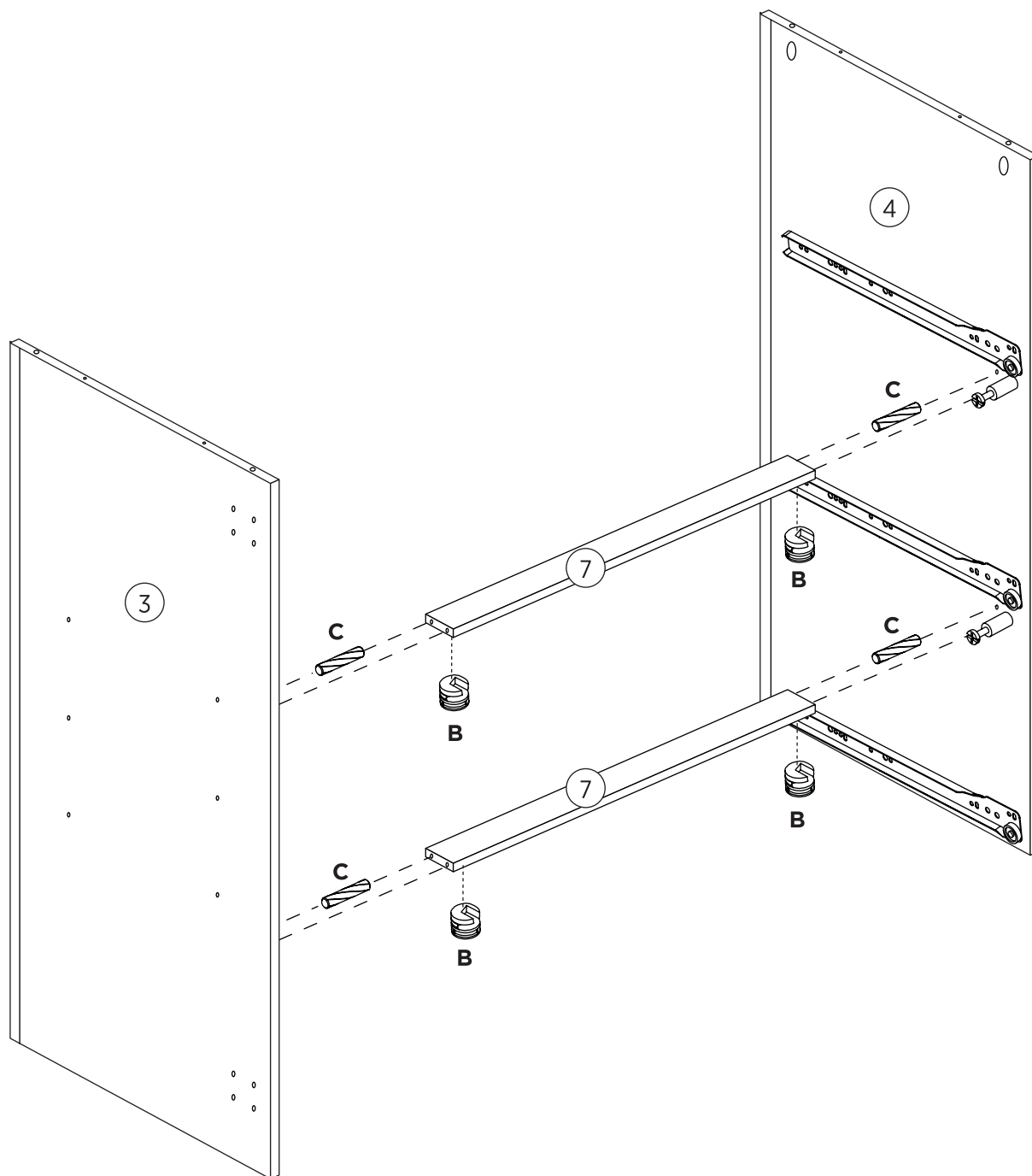
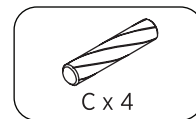
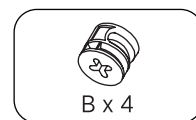
ASSEMBLY INSTRUCTIONS

STEP 11

Insert cam locks (B) and wooden dowels (C) to parts 7.

Attach parts 7 to parts 3 and 4, as shown.

Turn cam locks clockwise to tighten.



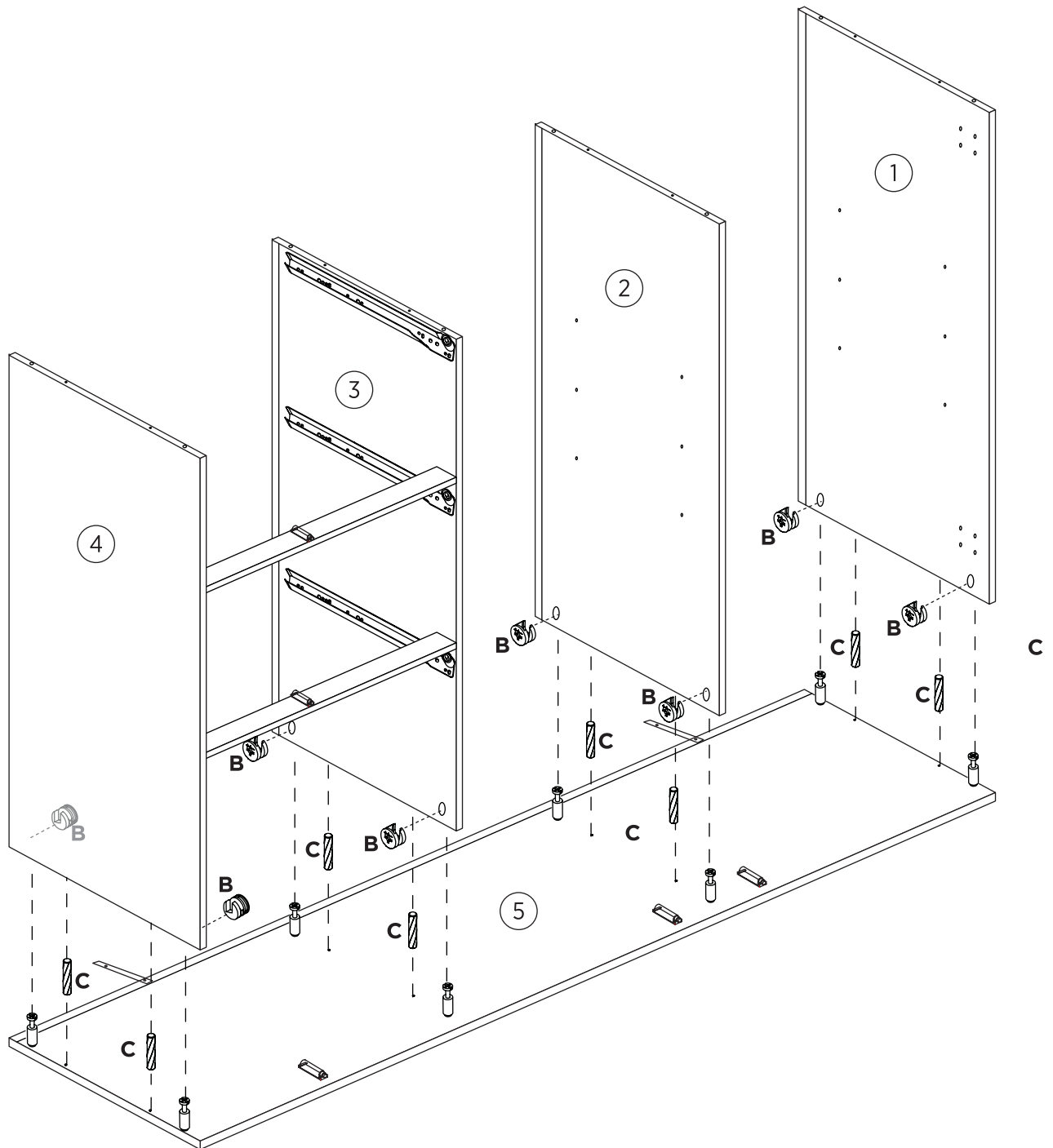
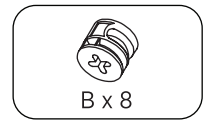
ASSEMBLY INSTRUCTIONS

STEP 12

Insert cam locks (B) and wooden dowels (C) to parts 1, 2, 3 and 4.

Attach parts 1, 2, 3 and 4 to part 5, as shown.

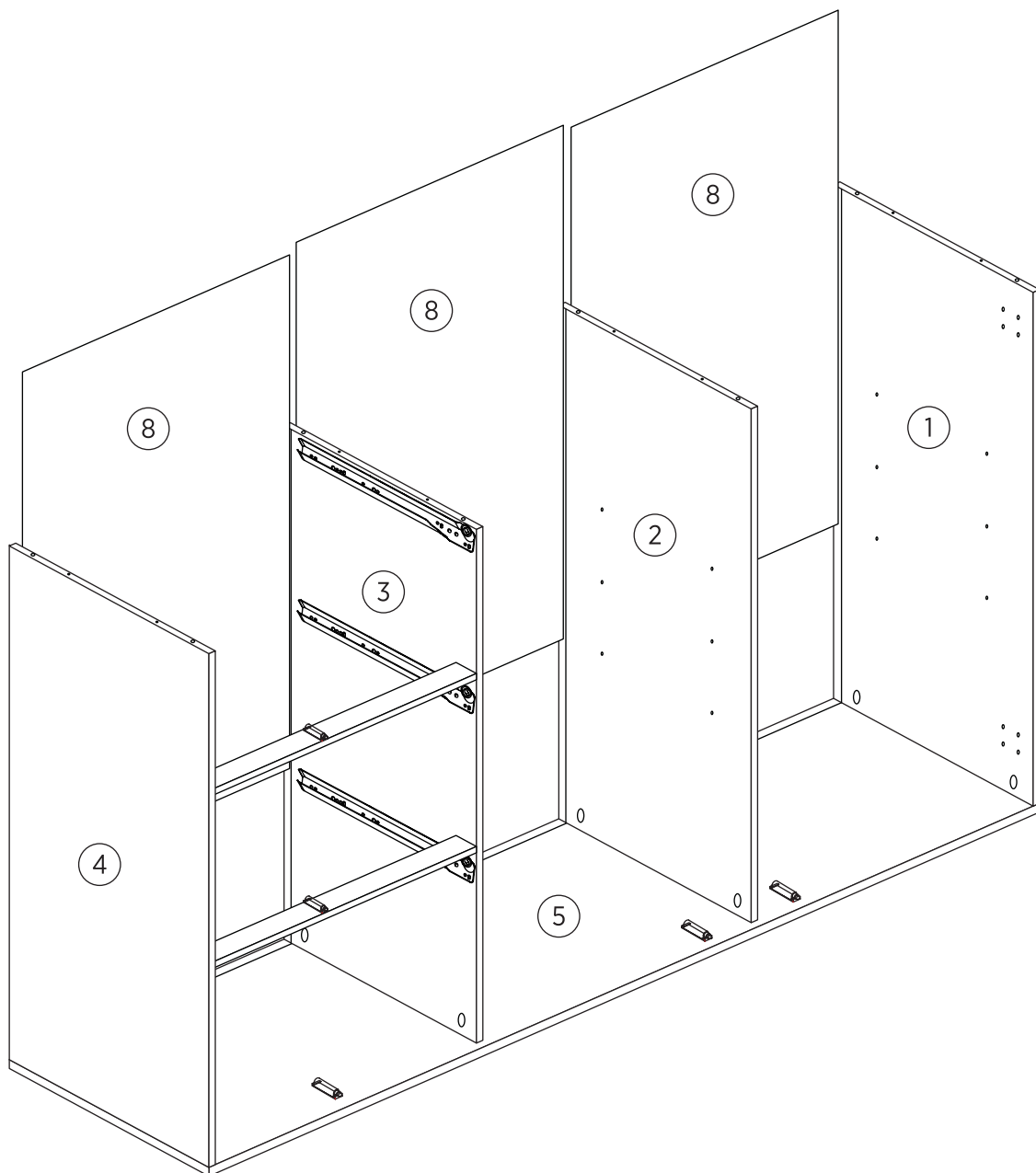
Turn cam locks clockwise to tighten.



ASSEMBLY INSTRUCTIONS

STEP 13

Insert parts 8 into grooves between parts 1, 2, 3, 4 and 5, as shown.

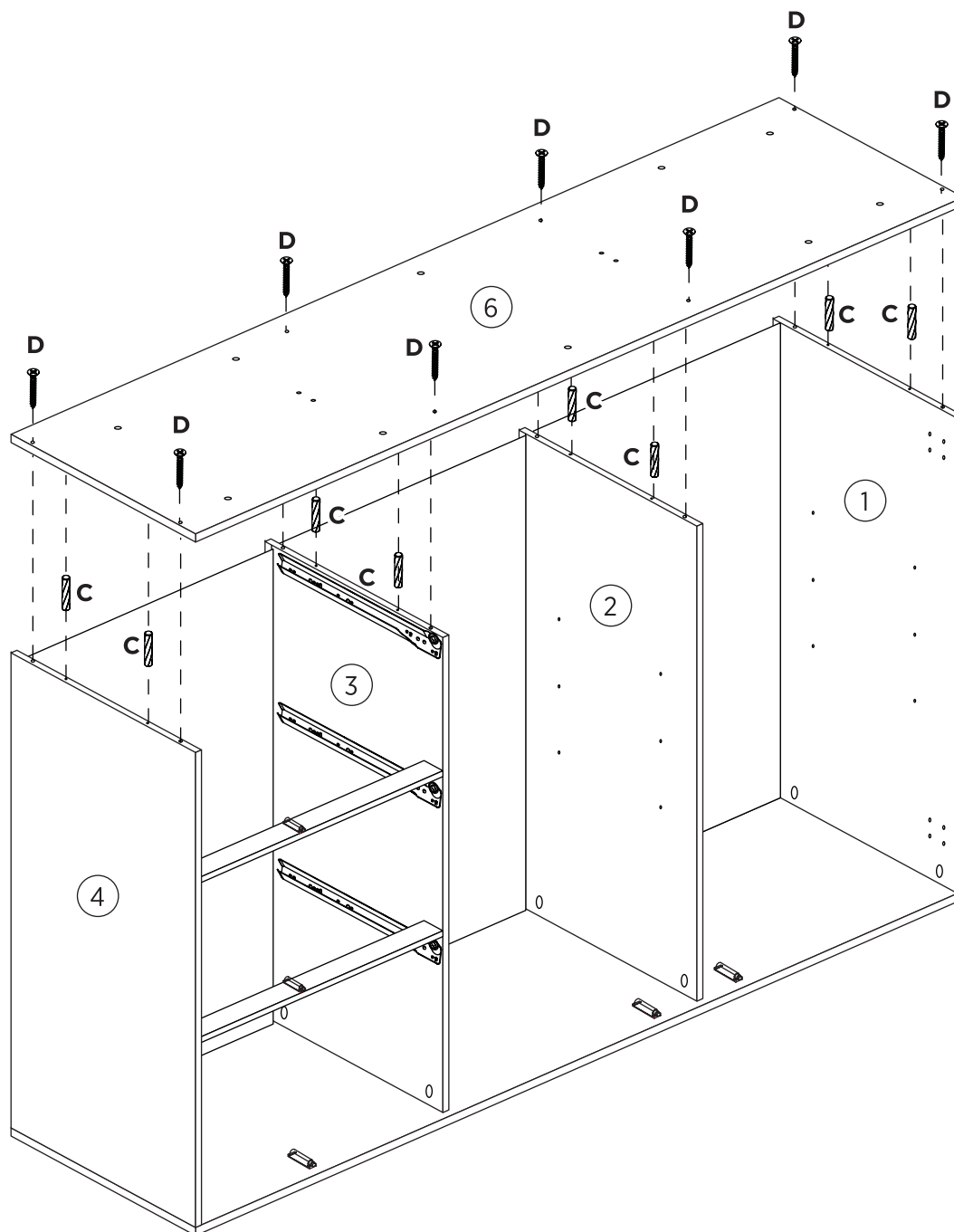
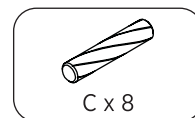


ASSEMBLY INSTRUCTIONS

STEP 14

Insert wooden dowels (C) to parts 1, 2, 3 and 4.

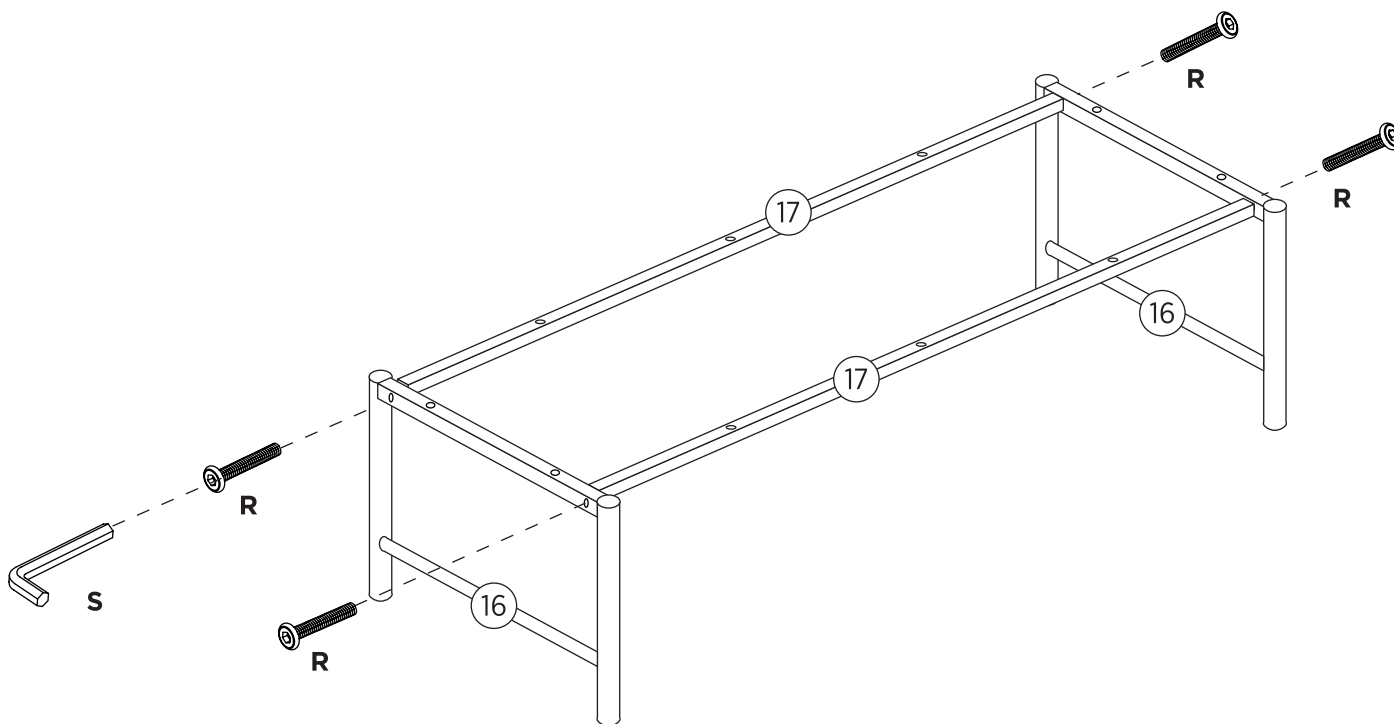
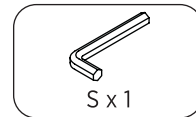
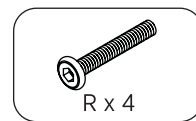
Fix part 6 to parts 1, 2, 3 and 4 using screws (D), as shown.



ASSEMBLY INSTRUCTIONS

STEP 15

Fix parts 16 to parts 17 using bolts (R) and allen key (S), as shown.



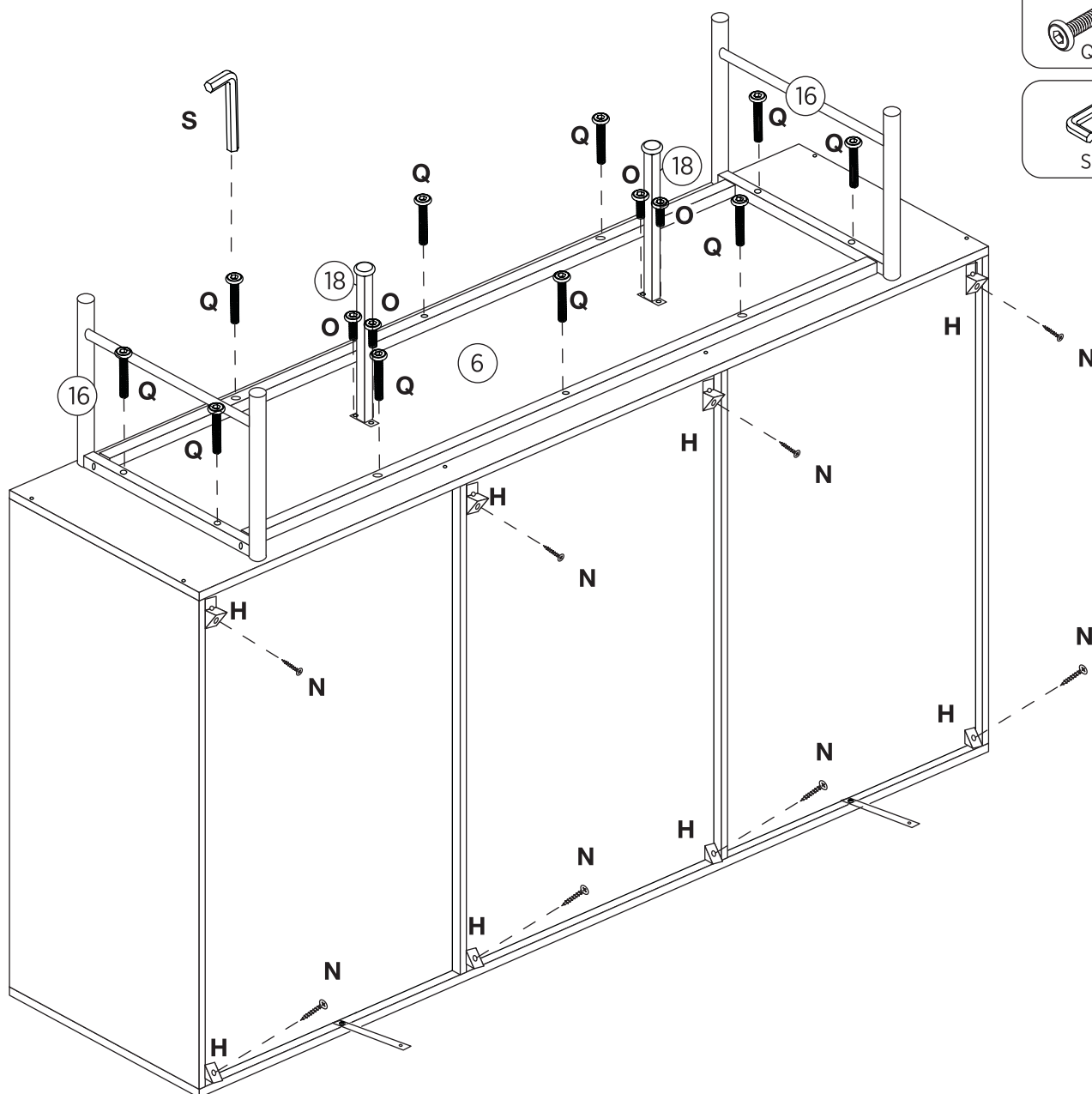
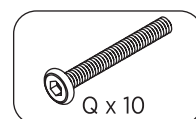
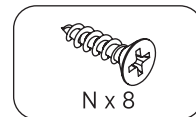
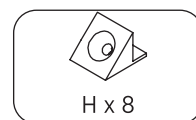
ASSEMBLY INSTRUCTIONS

STEP 16

Fix parts 16 and 17 to part 6 using bolts (Q) and allen key (S).

Fix parts 18 to part 6 using bolts (O) and allen key (S).

To secure backing panels, fix wedges (H) using screws (N), as shown.

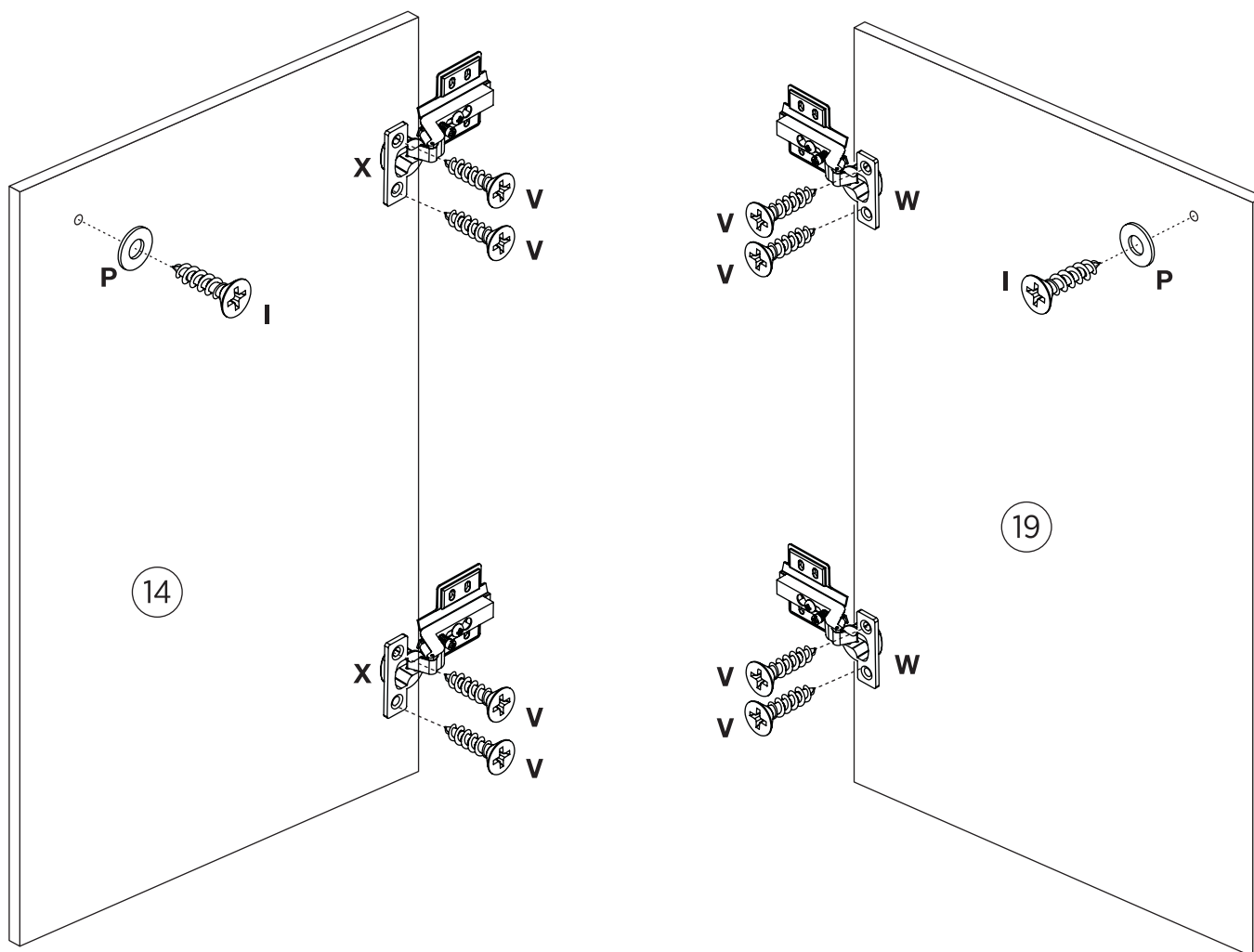
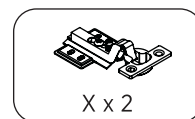
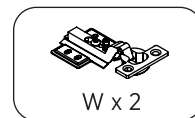
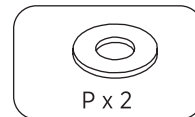
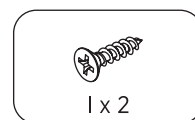


ASSEMBLY INSTRUCTIONS

STEP 17

Fix hinges (W) and (X) to parts 14 and 19 using screws (V).

Fix magnets (P) to parts 14 and 19 using screws (I), as shown.



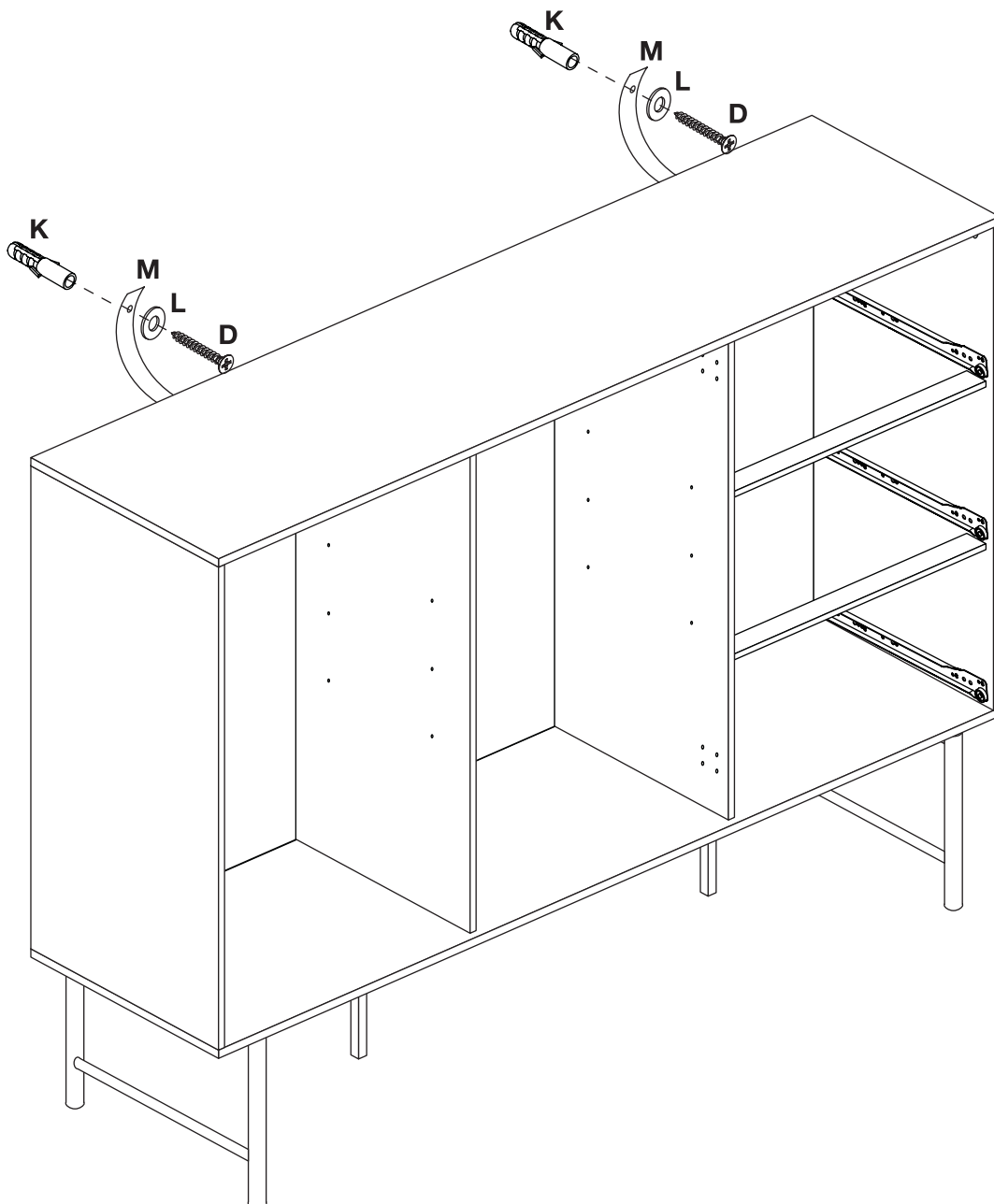
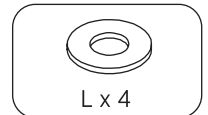
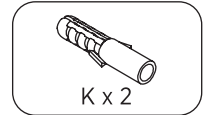
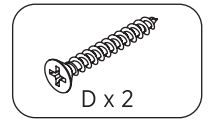
ASSEMBLY INSTRUCTIONS

STEP 18

For extra stability, you must fix your buffet to the wall using the additional hardware (D), (L) and (K), as shown.

Screw (D) is fixed through washers (L) and wall strap (M) and into the wall plug (K).

Should you choose not to affix the product to the wall, serious injury may be caused if the product tips over.

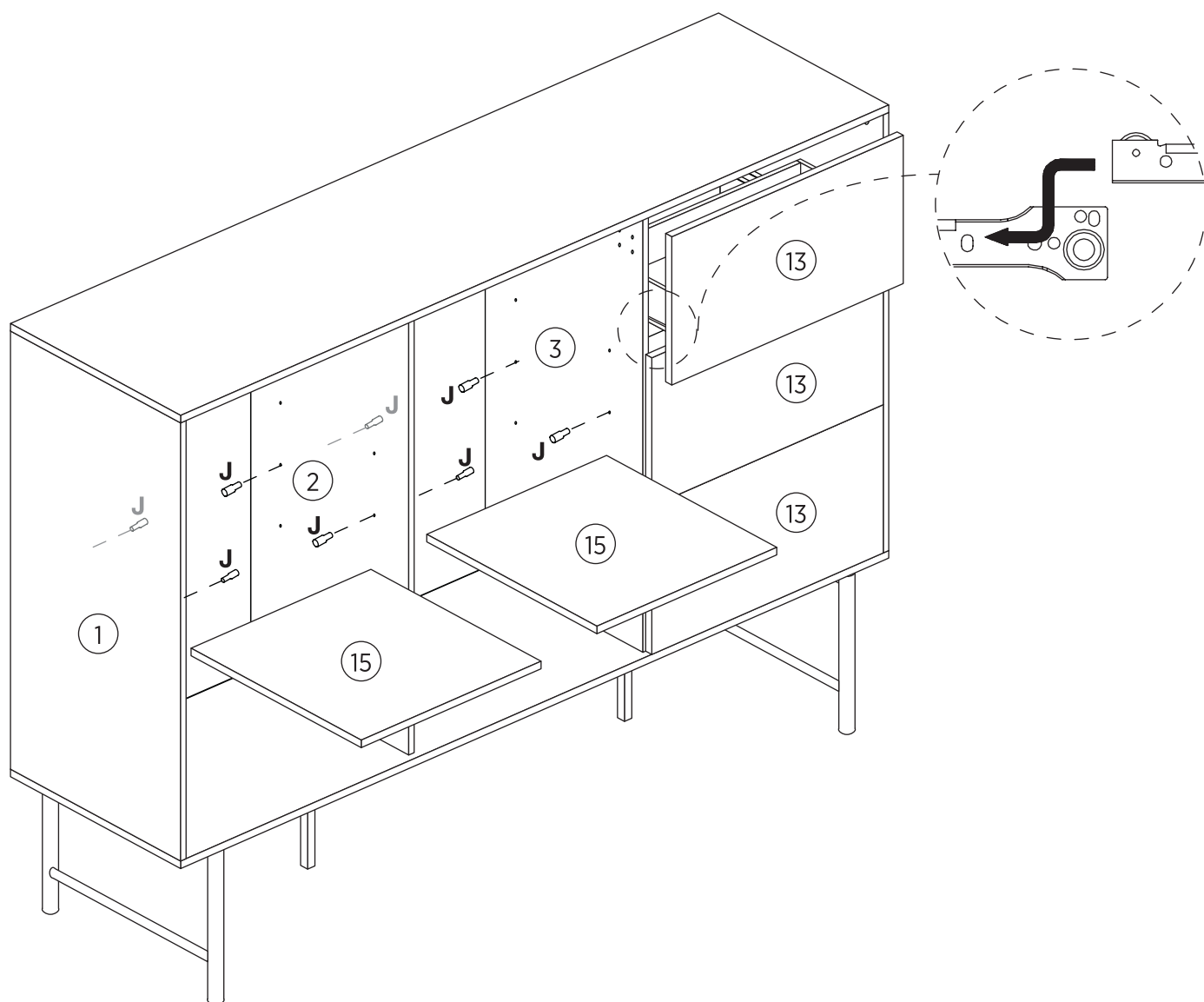
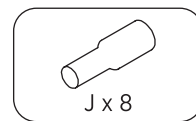


ASSEMBLY INSTRUCTIONS

STEP 19

Insert shelf supports (J) to parts 1, 2 and 3.

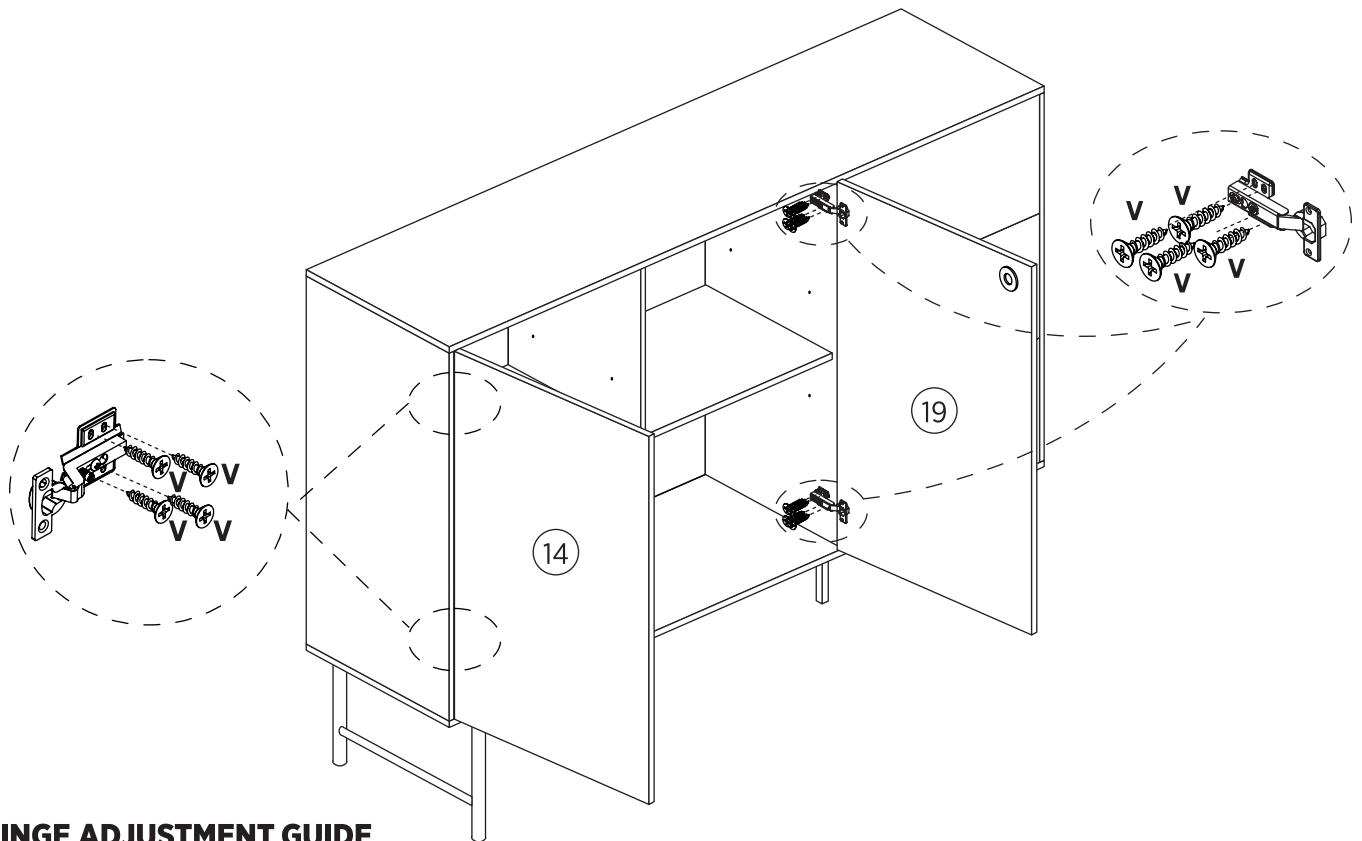
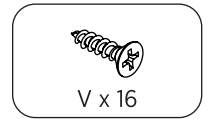
Insert parts 15 and drawers into assembled unit, as shown.



ASSEMBLY INSTRUCTIONS

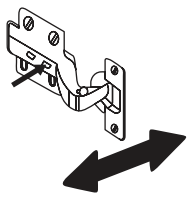
STEP 20

Fix parts 14 and 19 to assembled unit using screws (V), as shown.

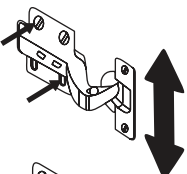


HINGE ADJUSTMENT GUIDE

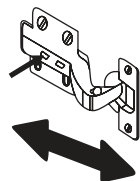
It may be necessary to adjust the hinges so that the doors align. Use the instructions below as a guide.



To adjust the door **laterally** adjust the screw as shown by turning clockwise or anti-clockwise.



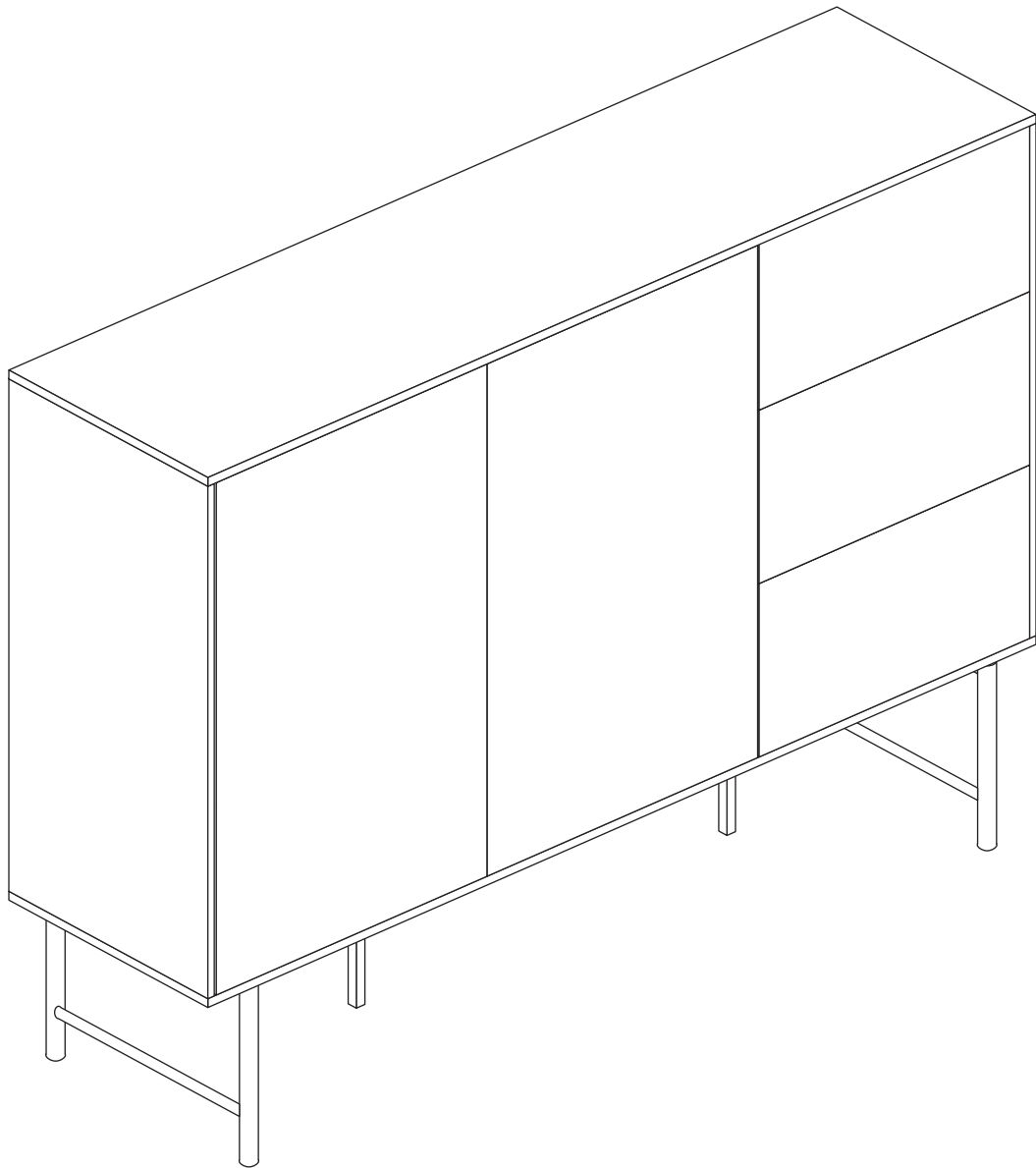
To adjust the door **vertically** loosen the screw as shown and move up and down as needed.



To adjust the **gap** from the door to the main frame turn the screw clockwise or anti-clockwise as needed.

ASSEMBLY INSTRUCTIONS

STEP 21



Please note: the maximum recommended weight is 15kg on top and 5kg inside drawer.

Your Buffet 2 Doors 3 Drawers is ready for use.

WALL FIXING GUIDE

NOTE: Supplied wall plugs are only suitable for use in masonry walls.

If you have any doubts about using the correct plug for your wall, please seek professional advice.

Failure of the product due to using incorrect fixings is the responsibility of the installer.



IMPORTANT:

When drilling into walls, always check for hidden wires or pipes, etc.



Tips & Tricks

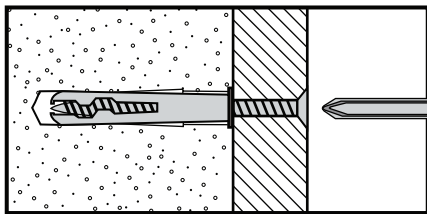
Make sure that the hardware used is suitable for supporting your unit.

Please consult a qualified tradesperson if unsure.

- ☑ Take extra care when drilling high walls, ceiling and ceramic tiles. Ensure wall plugs are inserted beyond the thickness of the ceramic tiles to avoid splitting or cracking.
- ☑ If you are unsure, please select a larger screw and wall plug.
- ☑ Ensure that you use the recommended drill bit to match the wall plug and hole size.
- ☑ Ensure that wall plugs are well fitted and are a tight fit in the drilled hole.

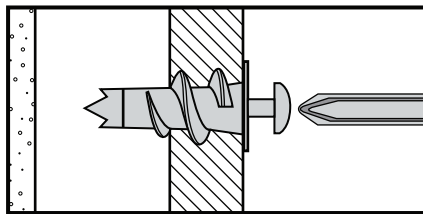
Types of Walls

Use one of the following types of wall plug (not included) if your walls are made of brick, breeze block, concrete, stone or wood. Screws may be able to be fixed directly to solid wood walls as they will provide a secure anchor point.



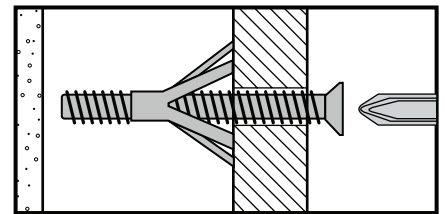
1. General Purpose Wall Plug

Generally, aerated blocks should not be used to support heavy loads, use a specialist fitting in this case. For light loads, general purpose wall plugs can be used.



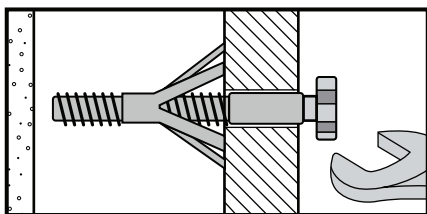
2. Plasterboard Wall Plug

For use when attaching light loads onto plasterboard partitions.



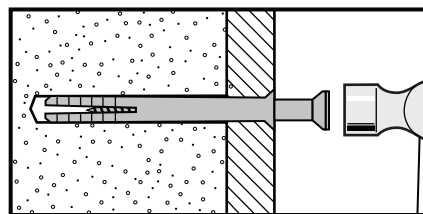
3. Cavity Fixing Wall Plug

For use with plasterboard partitions or hollow wooden doors.



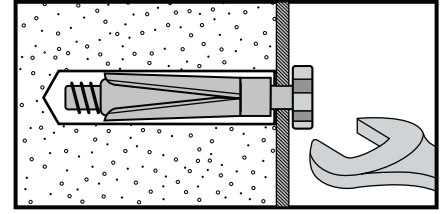
4. Cavity Fixing Heavy Duty Wall Plug

For use when fitting or supporting heavy loads such as shelving and wall cabinets.



5. Hammer Fixing Wall Plug

For use with concrete block or brick walls, or walls stuck with plasterboard. The hammer fixing allows it to be fixed to the wall rather than the plasterboard. Always check the fixing is secure to the retaining wall.



6. Shield Anchor Wall Plug Heavy Loads

For use with concrete or brick walls, or for use with heavier loads such as TV & HiFi speakers and satellite dishes, etc.