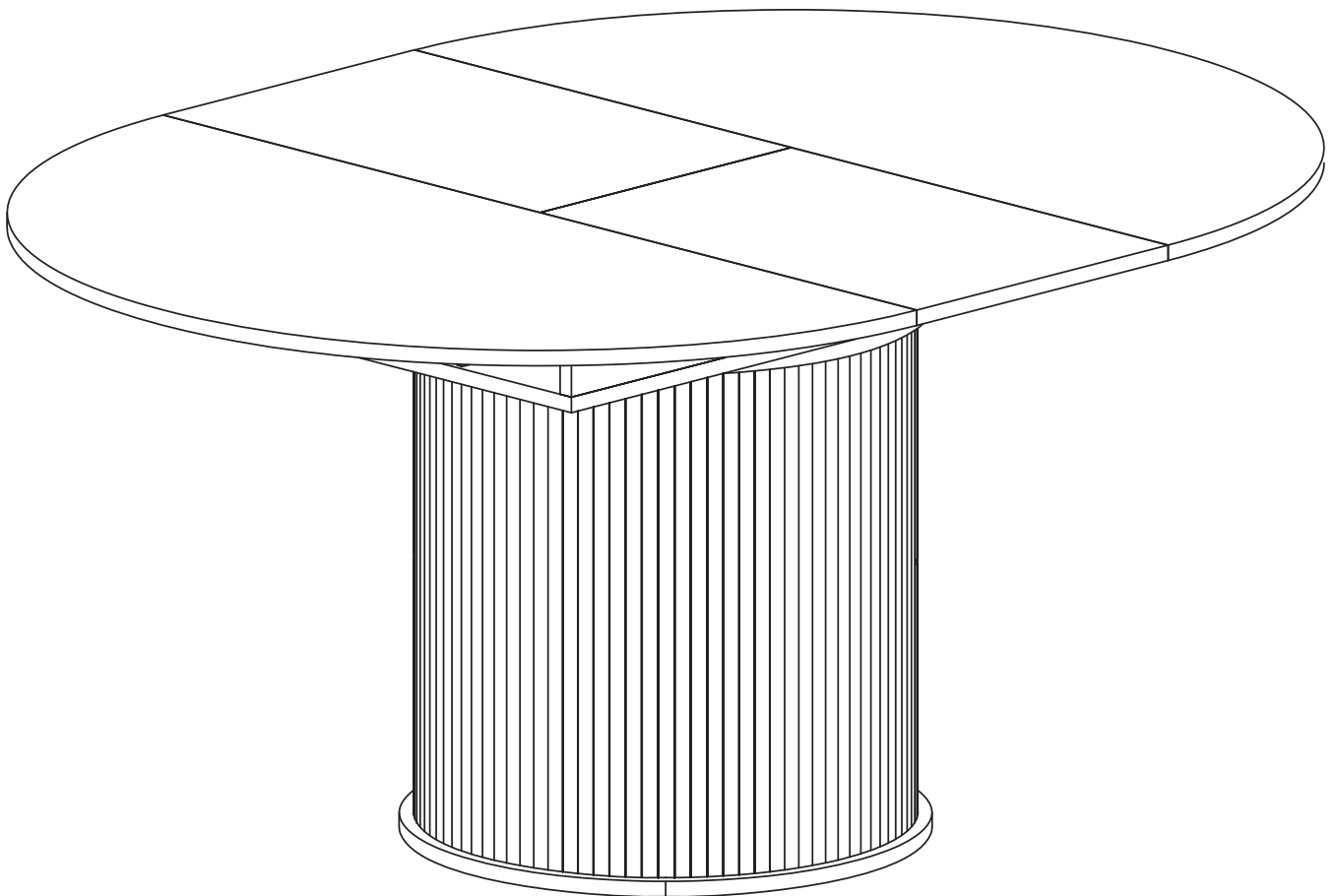


# EXTENDABLE DINING TABLE

## ASSEMBLY INSTRUCTIONS



# TIPS BEFORE YOU START

---

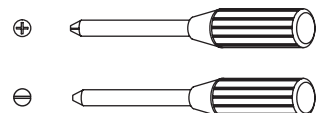
1. Please check that all parts are present before you start the assembly of your furniture.
2. For ease and speed of assembly, we recommend that before you commence each step of the assembly, that you identify all the parts required for that step.
3. For larger items, please ensure that you have sufficient space and people to assemble your product safely.
4. We recommend that, where possible, all items are assembled near to the area in which they will be placed in use, to avoid moving the product unnecessarily once assembled.
5. For the protection of your furniture, we recommend that the product is placed on a protected surface during assembly to prevent any damage.
6. During assembly please take care not to over-tighten any fittings, as this may damage the product. Do not use power tools.
7. Always place the product on a flat, steady and stable surface.
8. Do not stand on the product. Do not use the product as a stepladder.
9. This product is intended for indoor, household use only as it is a non-industrial product.
10. Please use caution and care when lifting the product to avoid personal injury and/or product damage.

## CARE AND MAINTENANCE OF YOUR FURNITURE

- ✓ Please periodically check all fittings and re-tighten as necessary.
- ✓ To clean your item, please use a damp cloth and wipe clean.
- ✓ To clean glass, please use glass cleaner.
- ✓ Never allow any kind of liquid to remain on your furniture. Absorption can cause wood to warp or finishes to de-laminate.
- ✓ Please do not place hot items (eg. hot drinks) directly on to the surface.
- ✓ Please do not drag or pull your furniture.

## ASSEMBLY REQUIREMENTS

- ✓ Equipment: phillips head screwdriver, flat head screwdriver
- ✓ 1 x adult required
- ✓ 1.5m x 1.5m assembly space required
- ✓ 1.5 hour assembly time approx.



# ANTI-TOPPLING WARNING

## CHILDREN HAVE DIED FROM FURNITURE TIPOVER.

- **ALWAYS** secure this furniture with an anchor device
- **NEVER** allow children to stand, climb or hang on drawers, doors or shelves
- **NEVER** open more than one drawer at a time
- **NEVER** put a TV on this furniture
- Place heavy items down low

**For more information, visit <https://www.productsafety.gov.au>**

**! WARNING**



**Children have died from furniture tipover.**

- ALWAYS secure this furniture with an anchor device.
- NEVER allow children to stand, climb or hang on drawers, doors, or shelves.
- NEVER open more than one drawer at a time.
- Place heavy items down low.

**NEVER put a TV on this furniture** 

# HARDWARE LIST

---



24 x A  
Bolt



5 x B  
Bolt



28 x C  
Screw



22 x D  
Screw



16 x E  
Screw



8 x F  
Screw



4 x G  
Dowel



5 x H  
Washer



8 x I  
Pad



8 x J  
Sticker



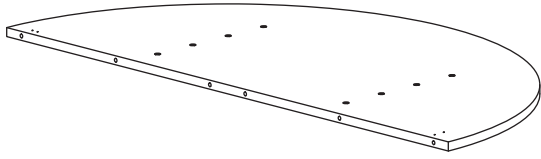
4 x K  
Fastener



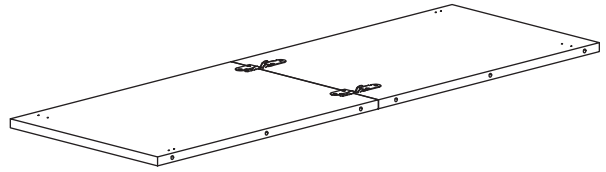
1 x L  
Allen Key

# PARTS LIST

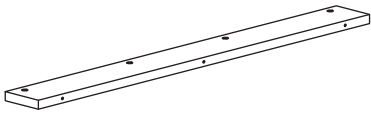
---



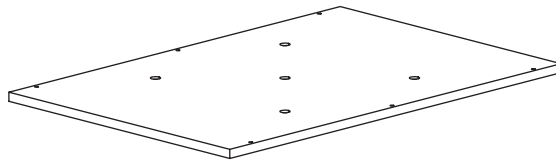
**1**  
2 PCS



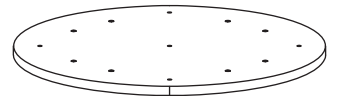
**2&3**  
1 PC



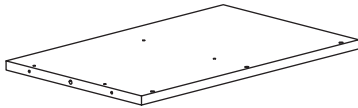
**4**  
2 PCS



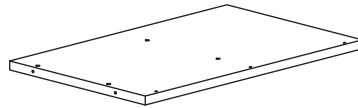
**5**  
1 PC



**6**  
1 PC



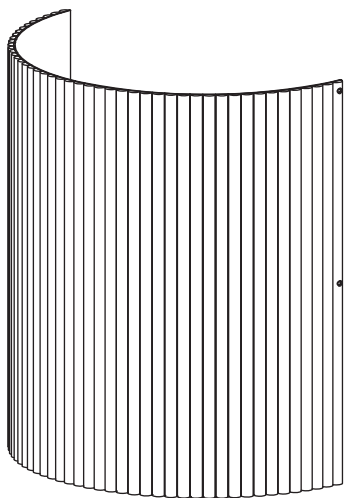
**7**  
2 PCS



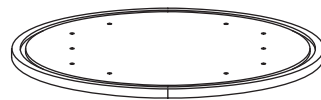
**8**  
2 PCS



**9**  
8 PCS



**11**  
2 PCS



**10**  
1 PC

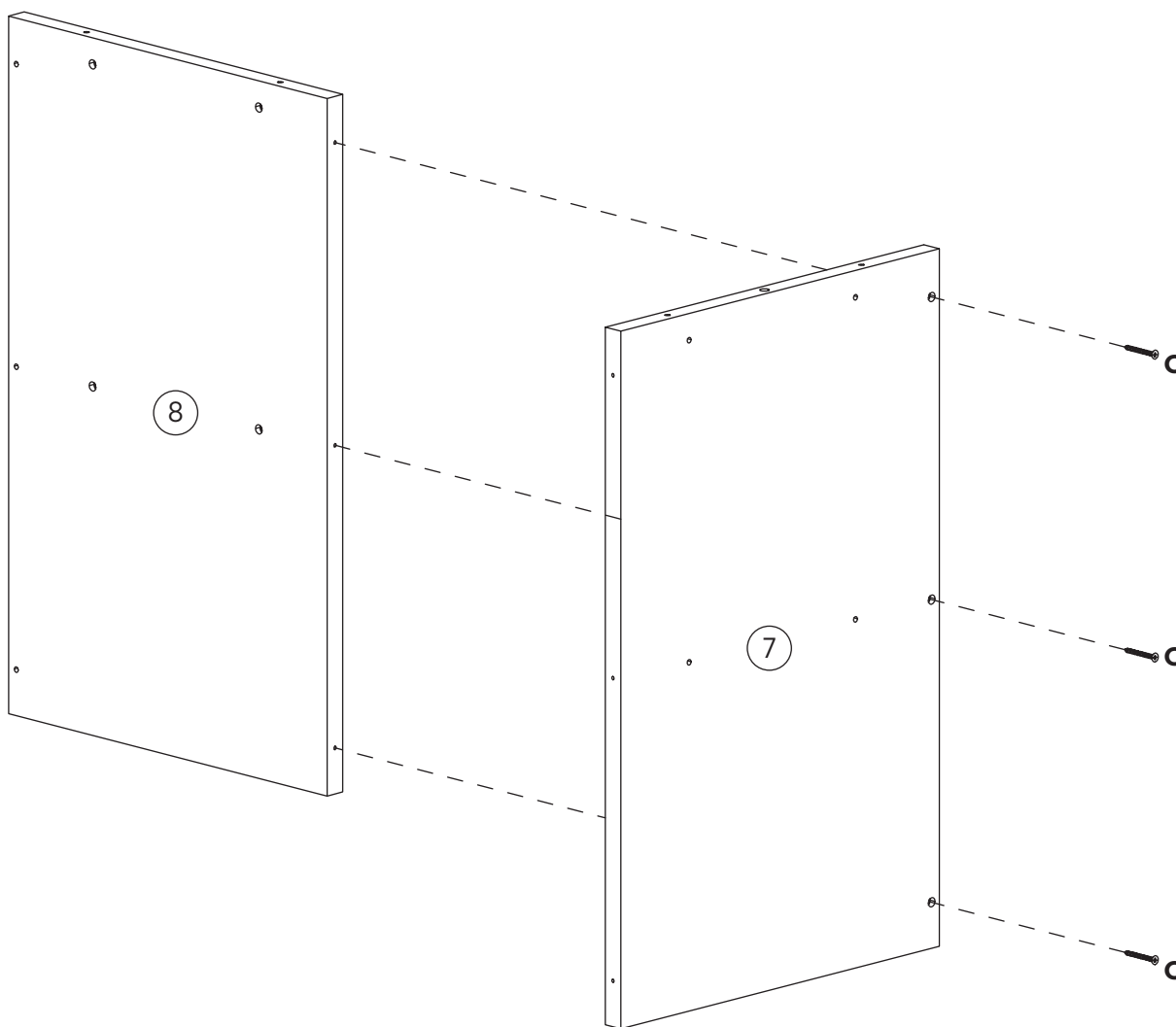
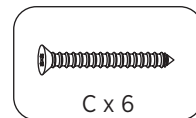


**12**  
2 PCS

# ASSEMBLY INSTRUCTIONS

## STEP 1

Fix parts 8 to parts 7 using screws (C), as shown.

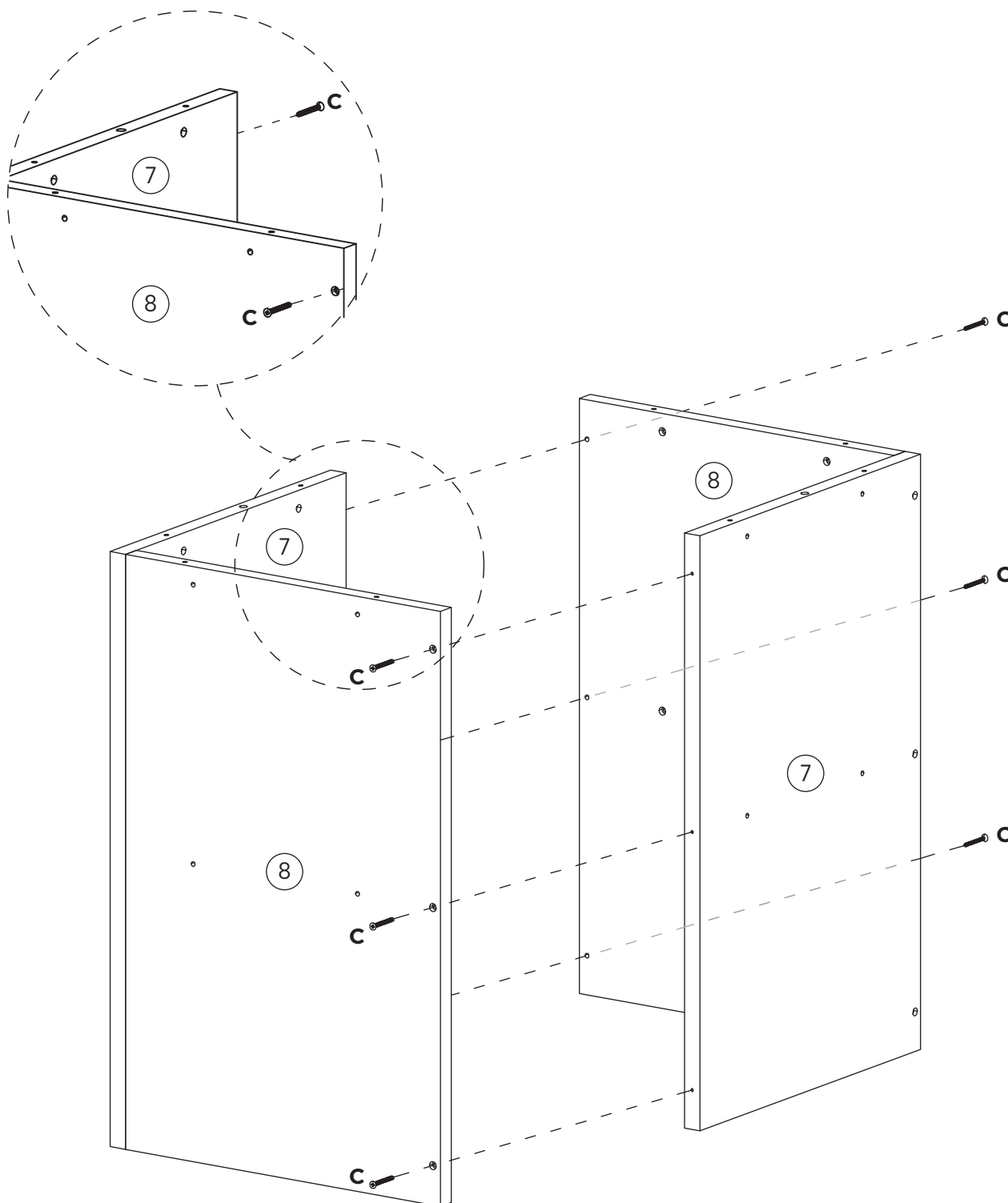
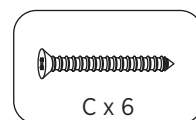


# x2

# ASSEMBLY INSTRUCTIONS

## STEP 2

Fix parts 7 to parts 8 using screws (C), as shown.

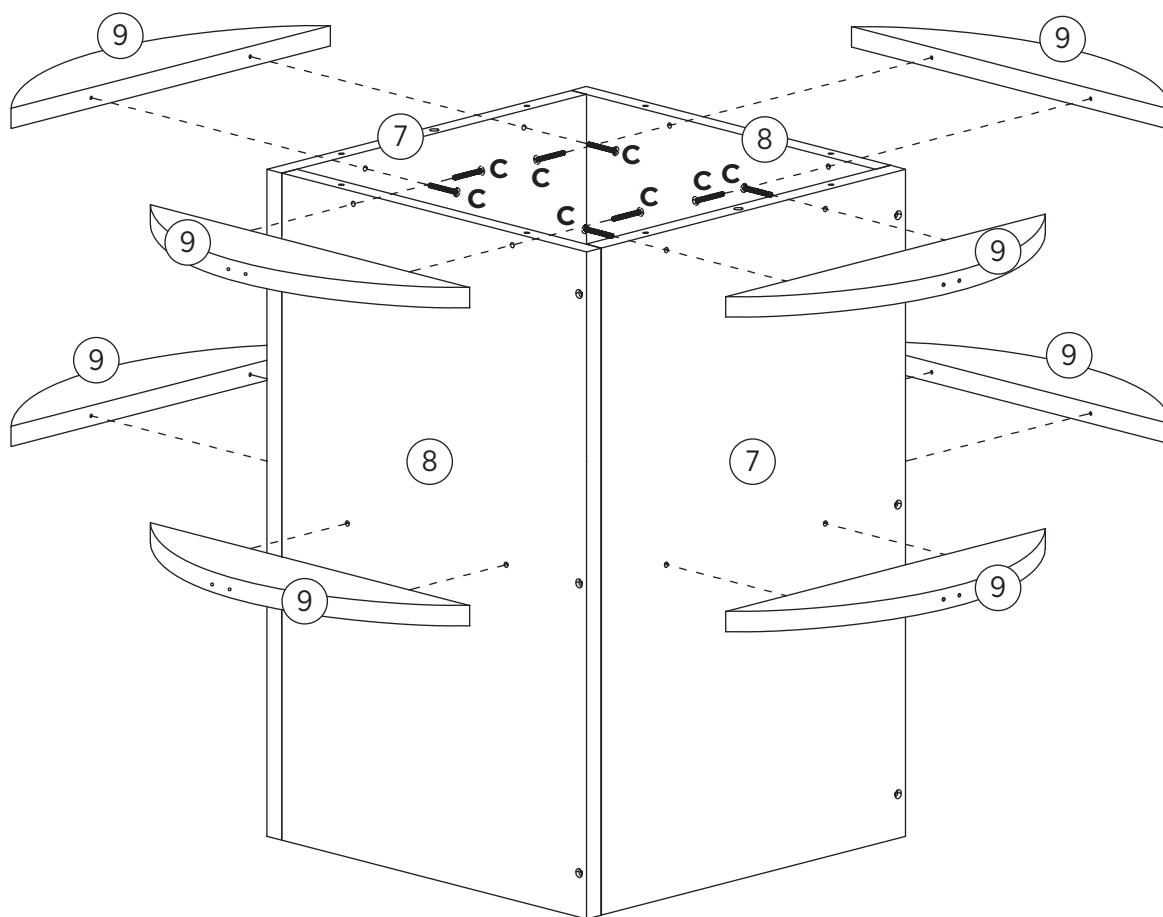
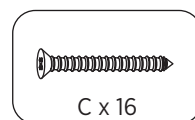


# ASSEMBLY INSTRUCTIONS

## STEP 3

Fix parts 9 to parts 7 and 8 using screws (C), as shown.

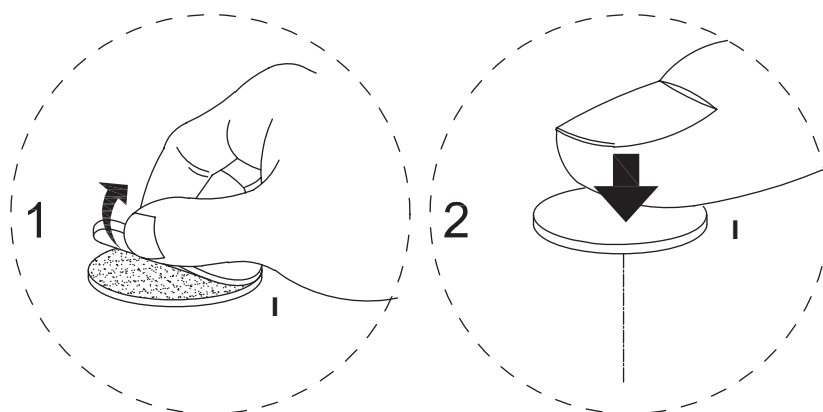
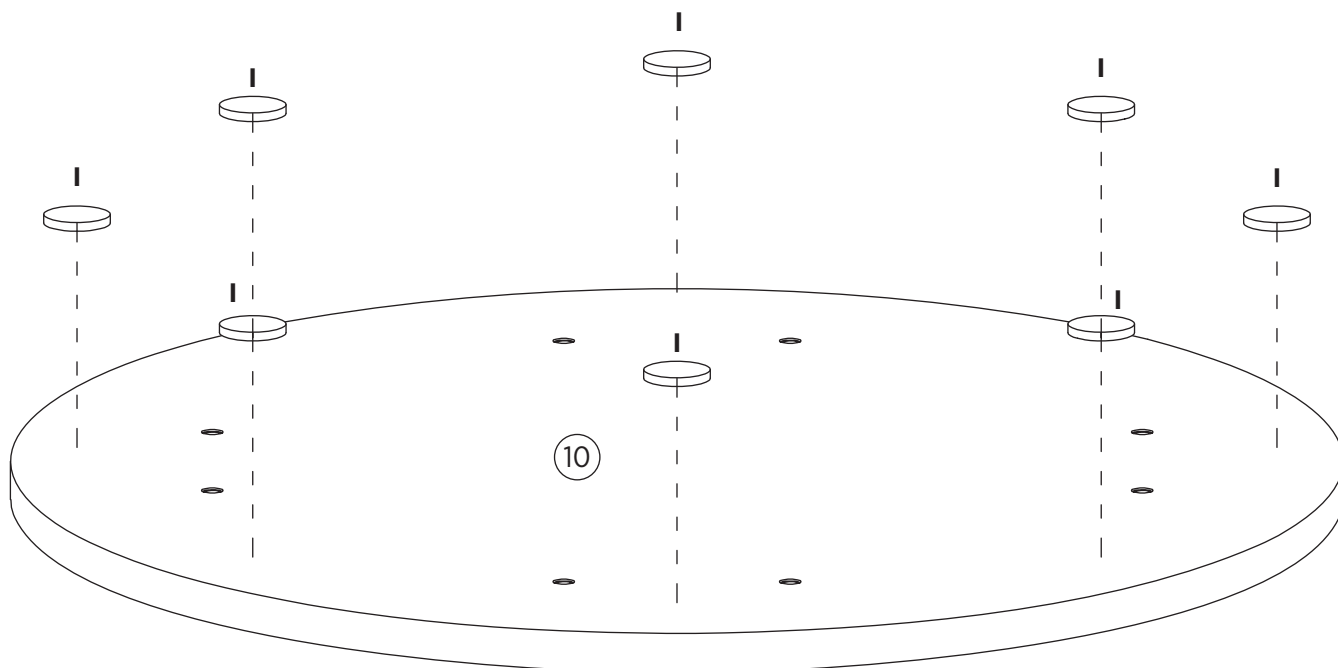
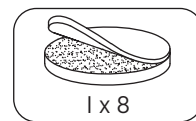
Turn assembled unit around and set aside for step 5.



# ASSEMBLY INSTRUCTIONS

## STEP 4

Attach part (I) to part 10, as shown.

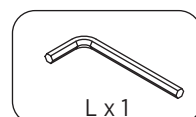
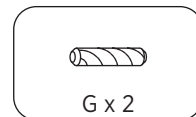
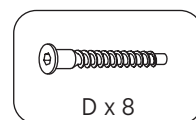
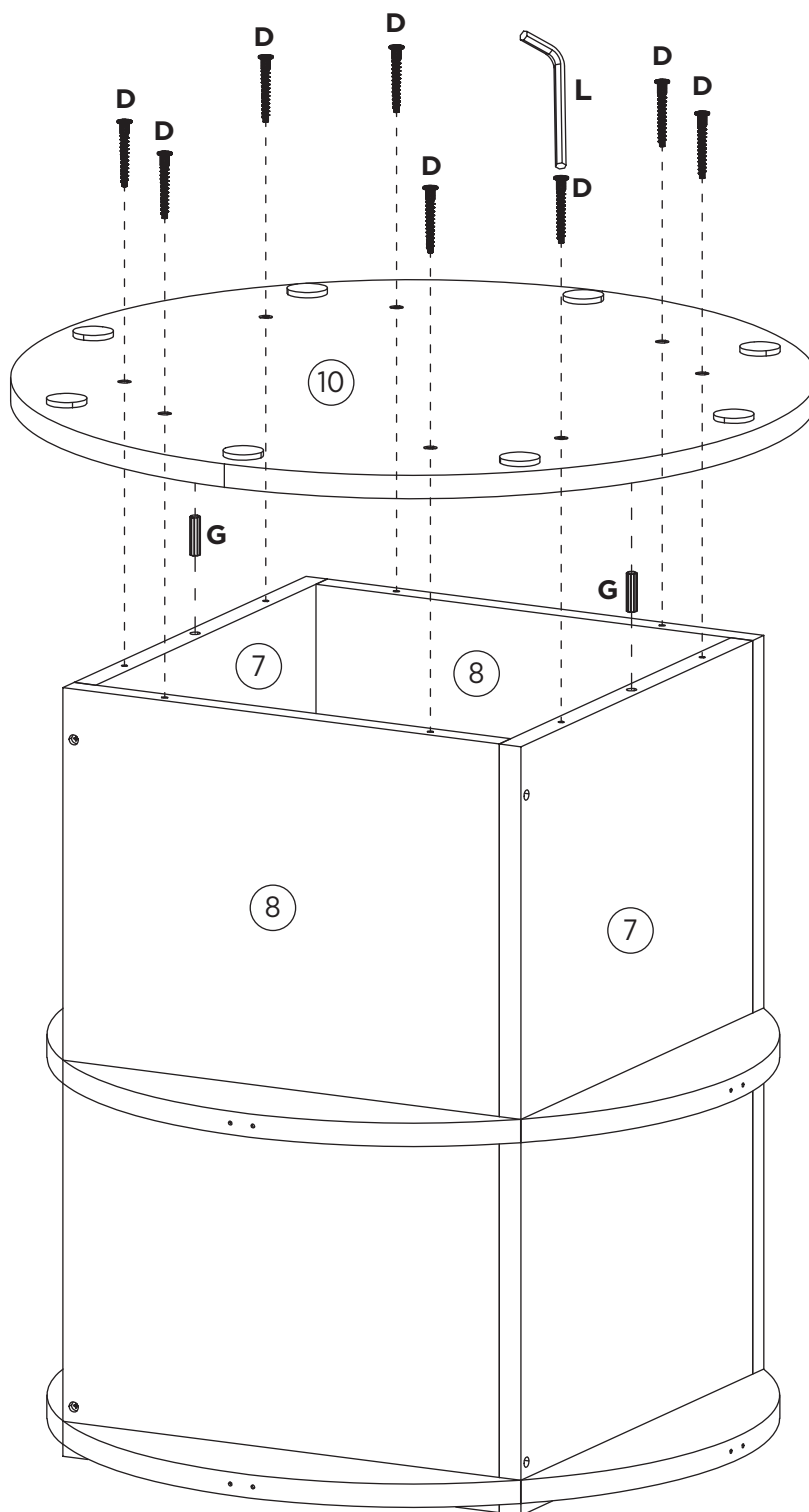


# ASSEMBLY INSTRUCTIONS

## STEP 5

Insert wooden dowels (G) to parts 7.

Fix part 10 to parts 7 and 8 using screws (D) and allen key (L), as shown.

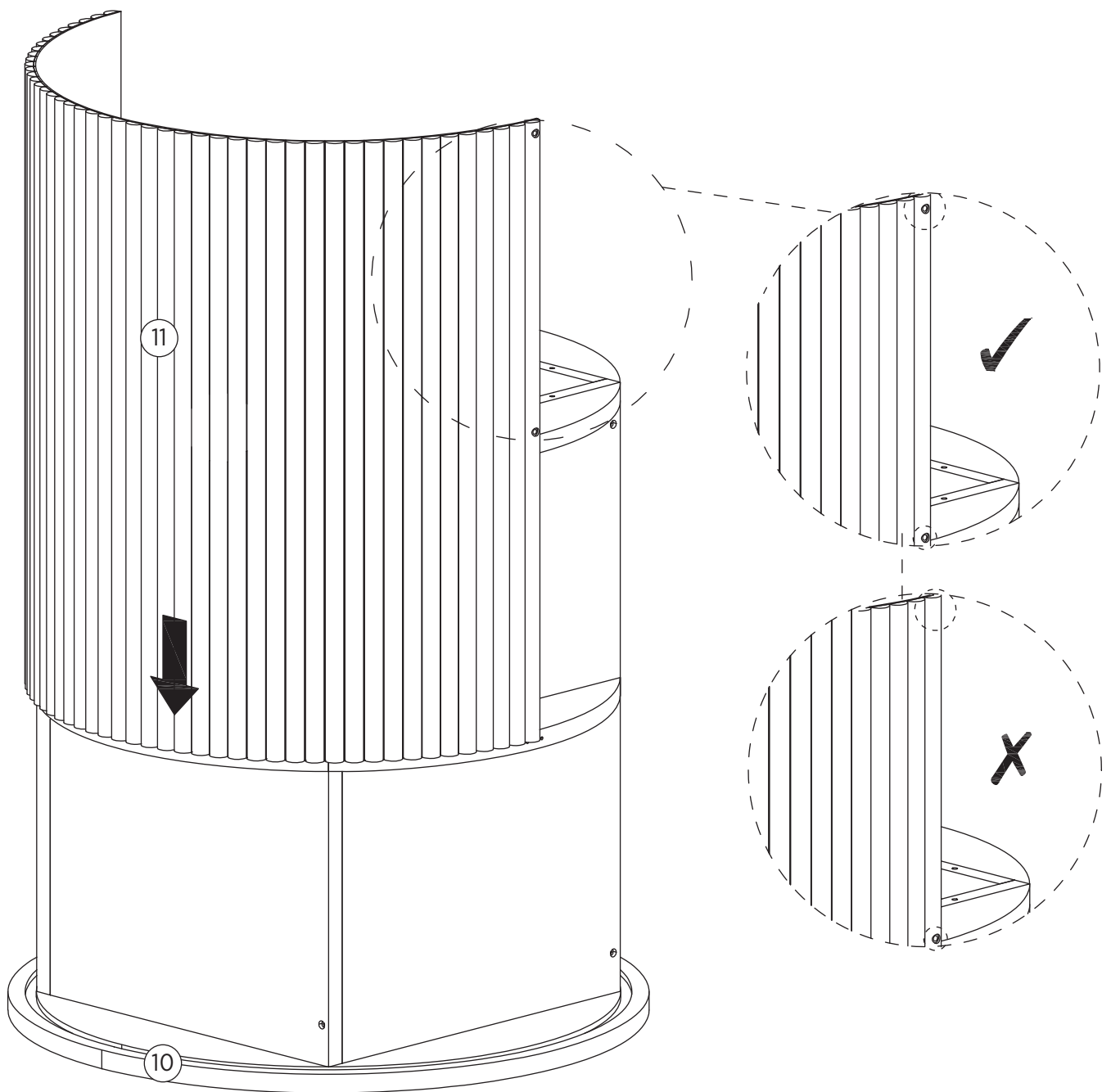


# ASSEMBLY INSTRUCTIONS

---

## STEP 6

Insert part 11 into groove of part 10, as shown.

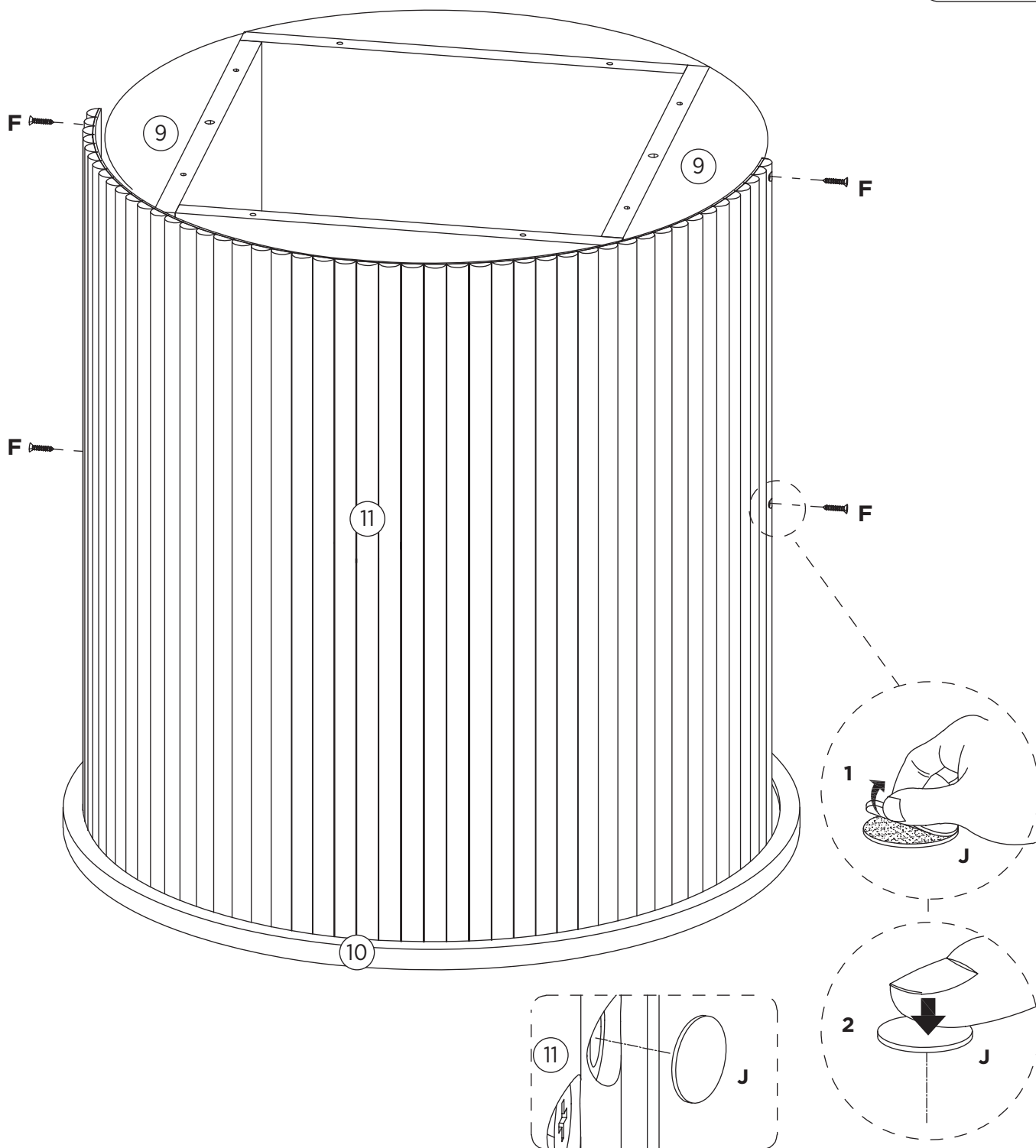
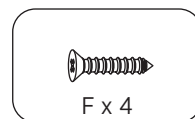


# ASSEMBLY INSTRUCTIONS

## STEP 7

Fix part 11 to part 9 using screws (F).

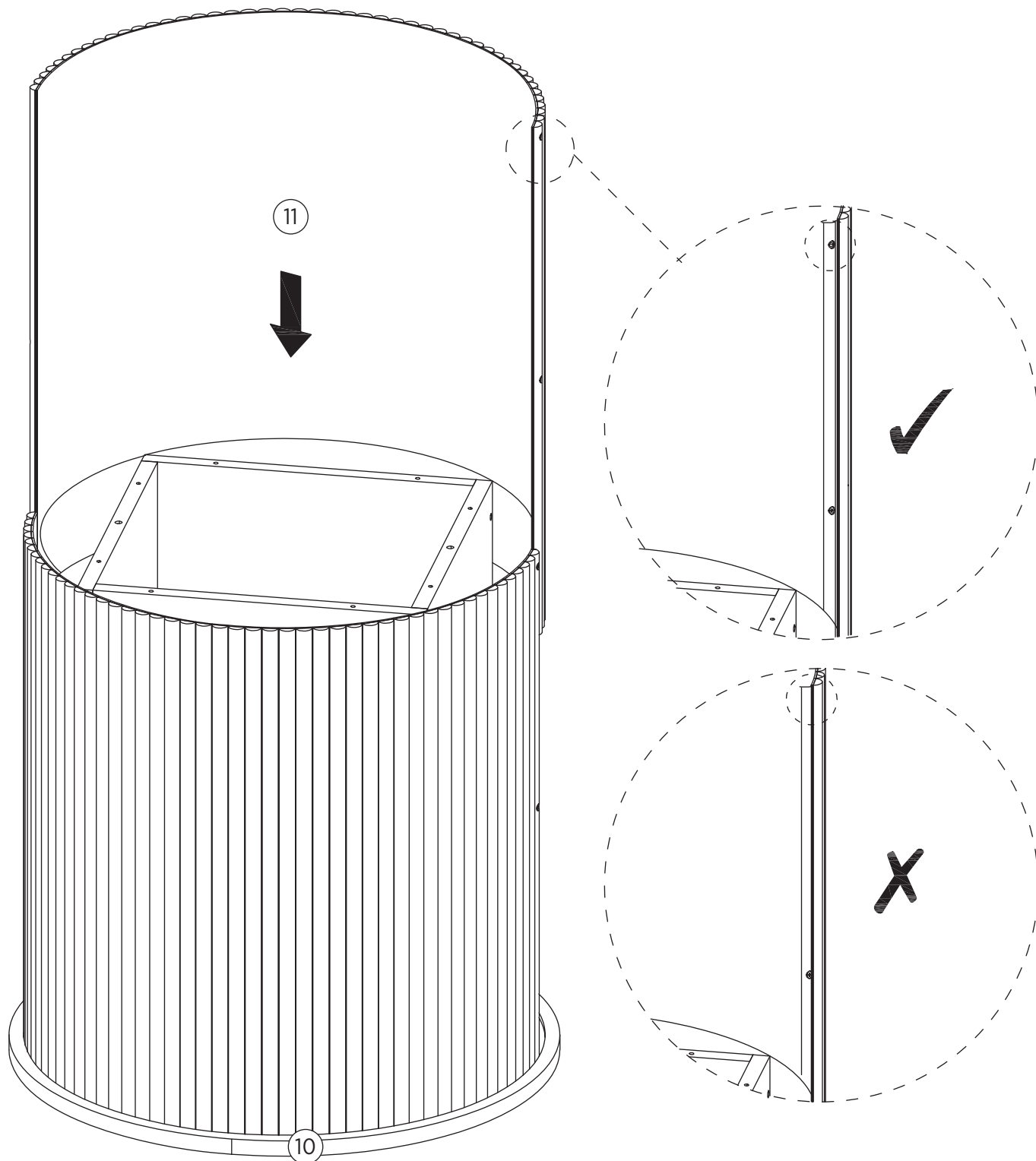
Attach stickers (J) to the screw holes, as shown.



# ASSEMBLY INSTRUCTIONS

## STEP 8

Insert part 11 into groove of part 10, as shown.

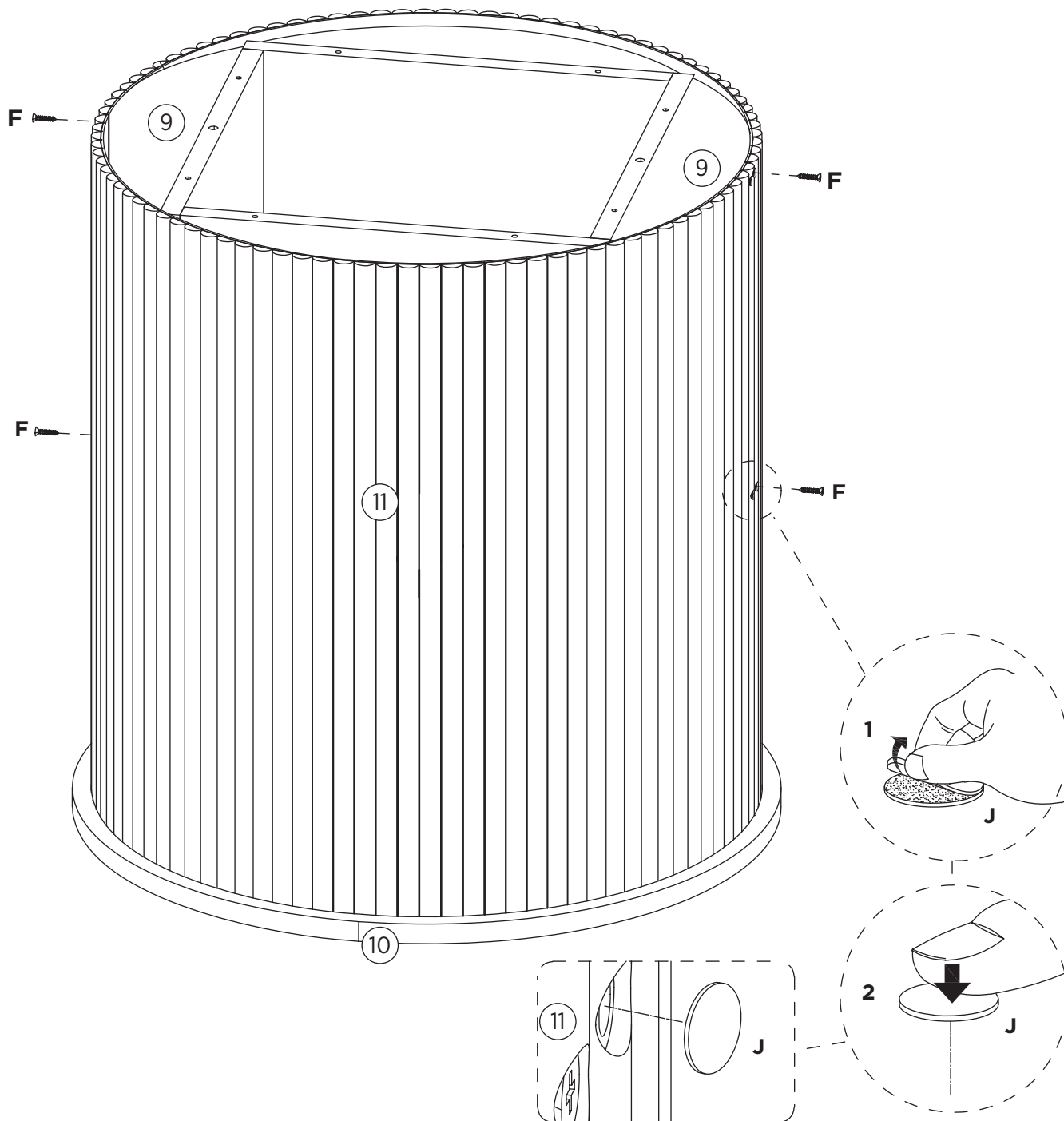
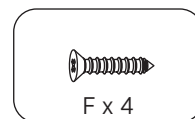


# ASSEMBLY INSTRUCTIONS

## STEP 9

Fix part 11 to part 9 using screws (F).

Attach stickers (J) to the screw holes., as shown.

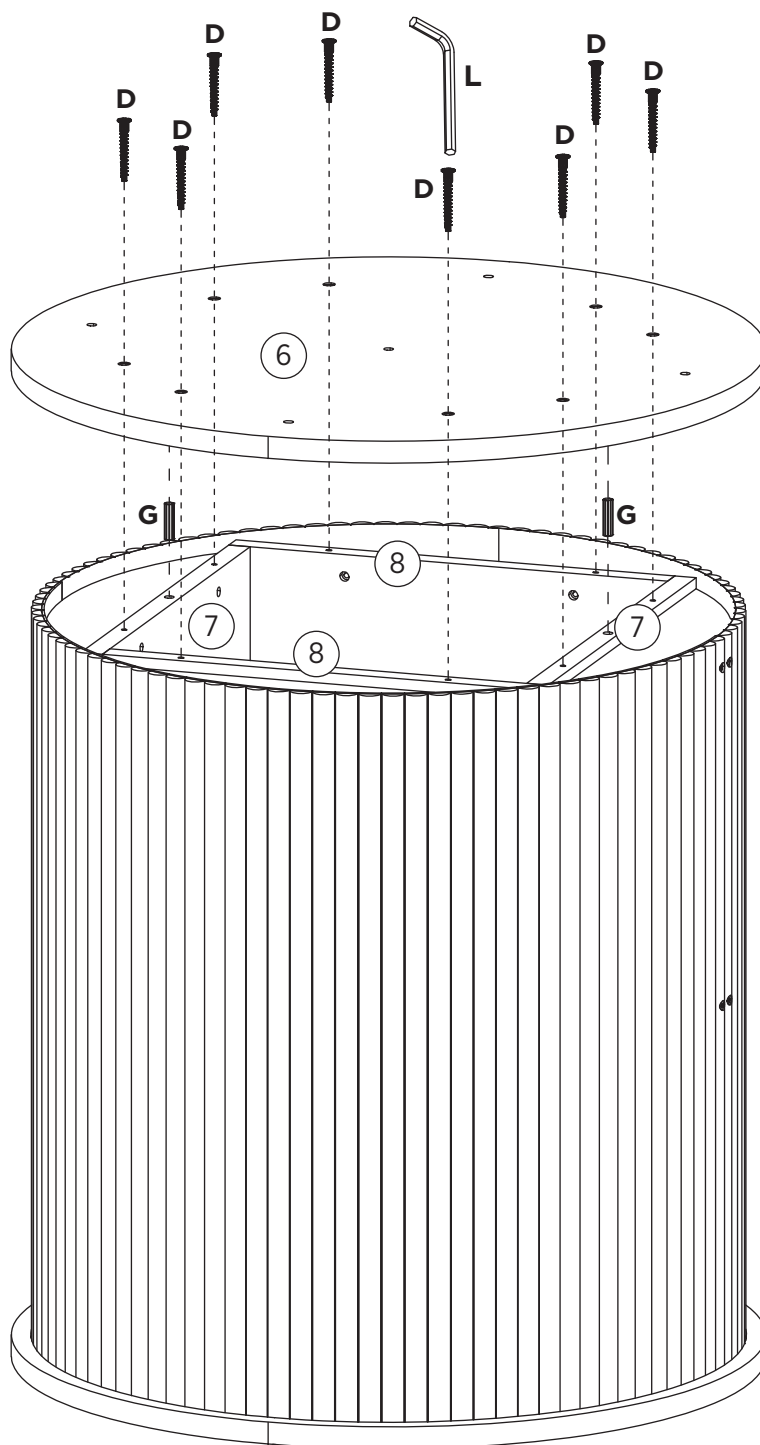
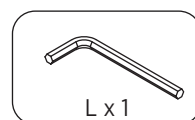
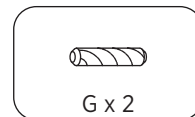
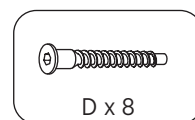


# ASSEMBLY INSTRUCTIONS

## STEP 10

Insert wooden dowels (G) to parts 7.

Fix part 6 to parts 7 and 8 using screws (D) and allen key (L), as shown.



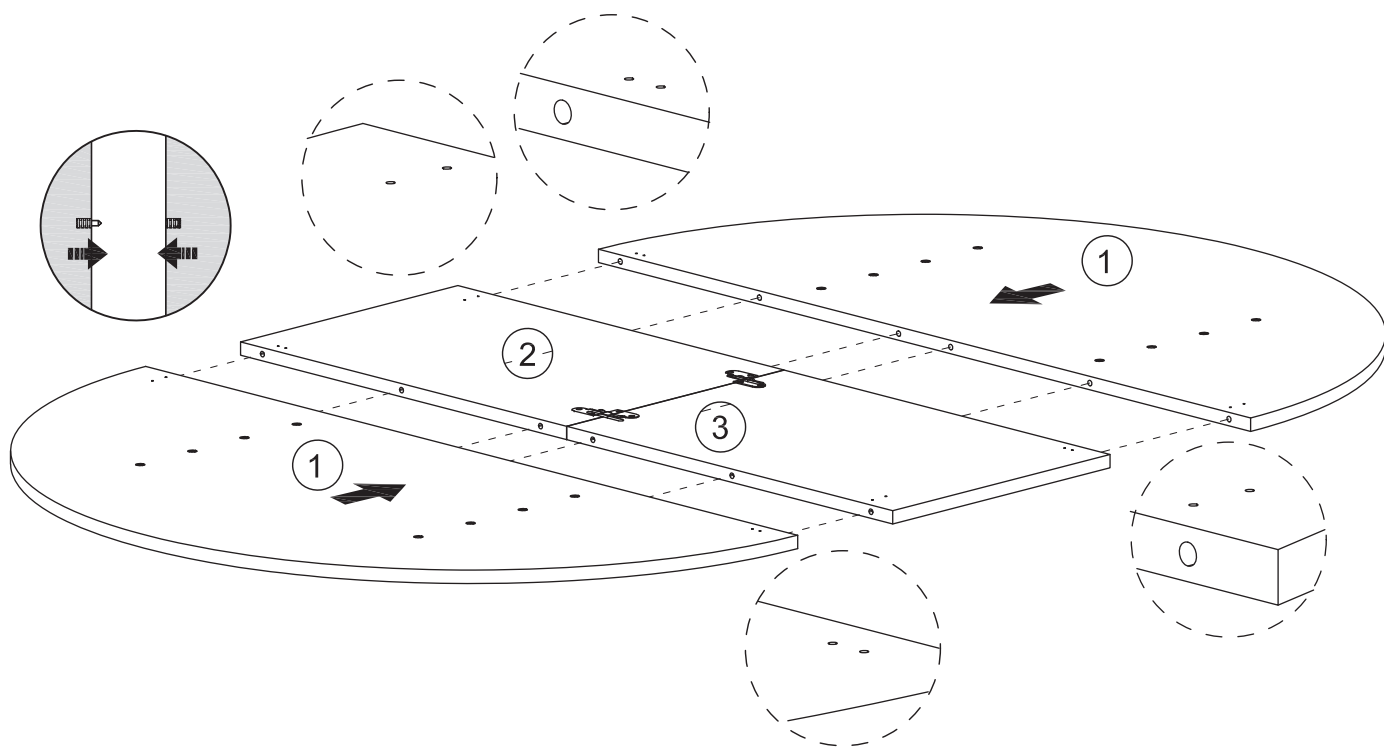
# ASSEMBLY INSTRUCTIONS

---

## STEP 11

Attach parts 1 to parts 2 and 3, as shown.

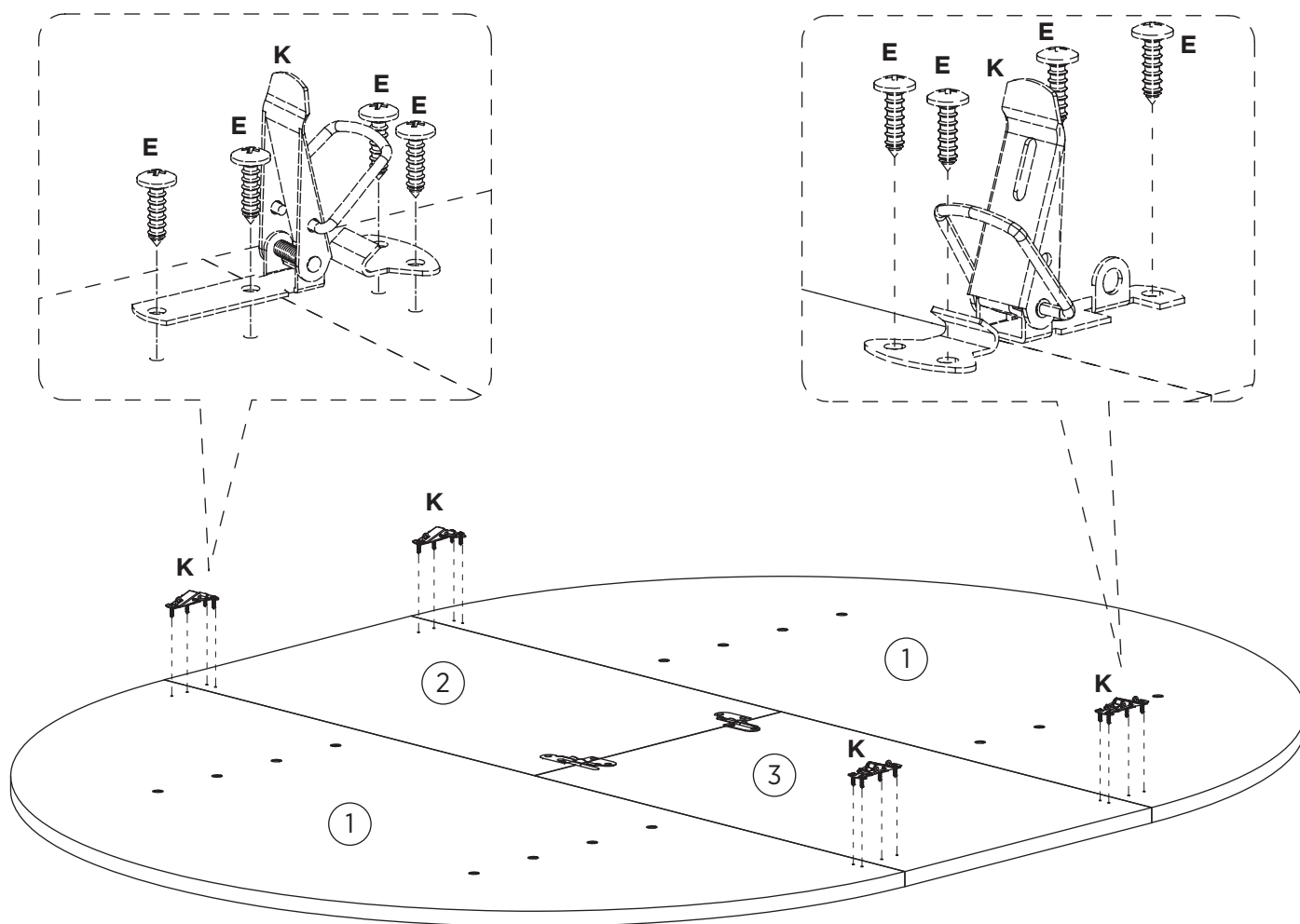
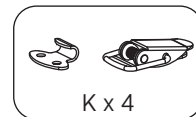
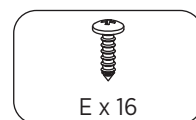
**Please note: it is recommended to assemble table top on soft clean surface to avoid damages.**



# ASSEMBLY INSTRUCTIONS

## STEP 12

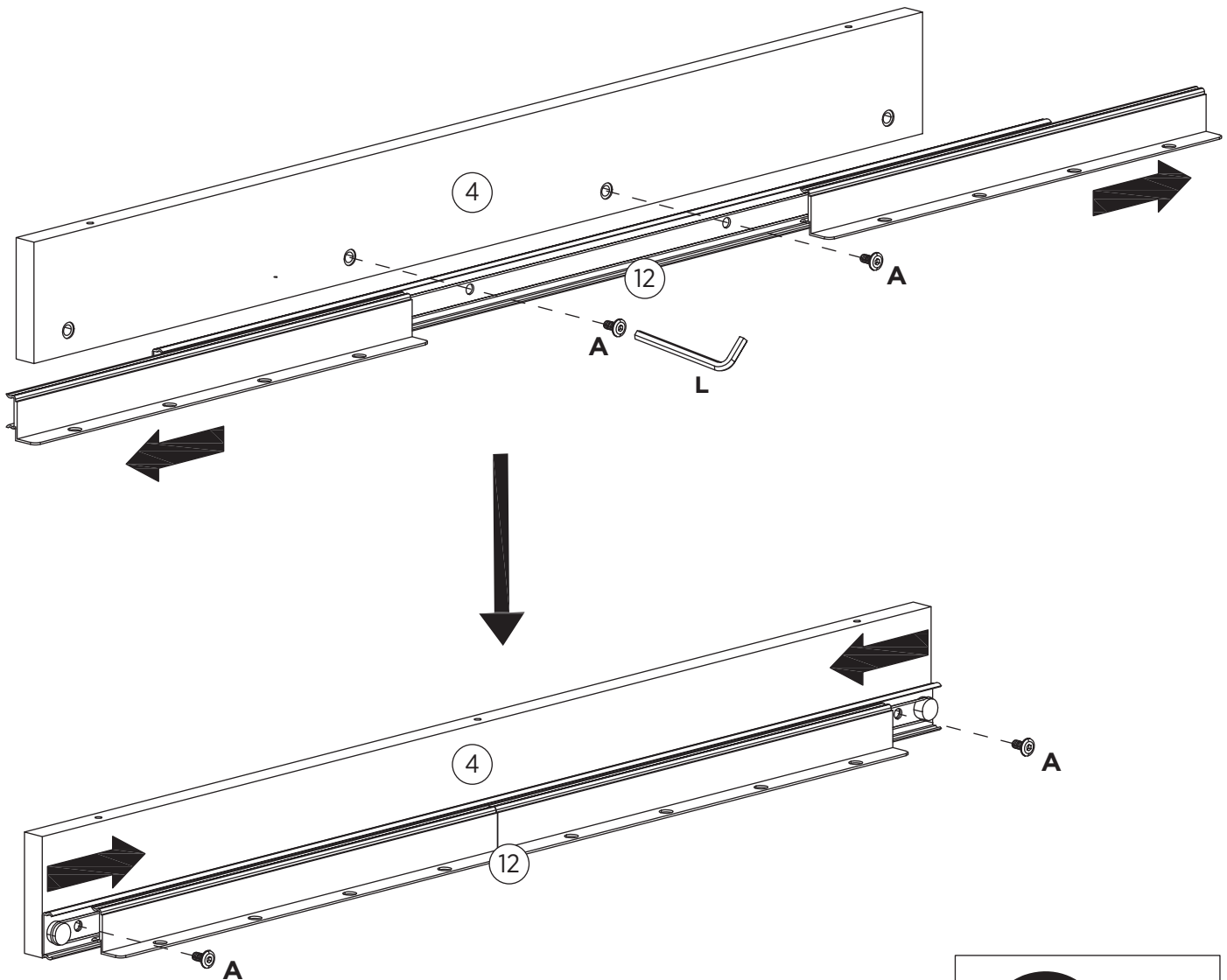
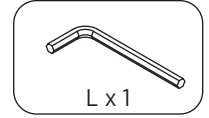
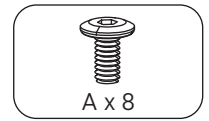
Fix fasteners (K) to parts 1, 2 and 3 using screws (E), as shown.



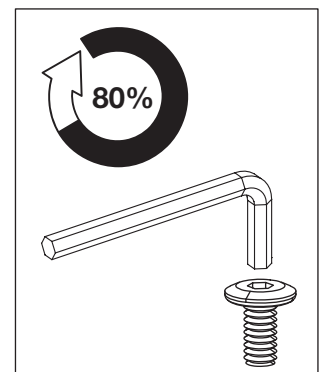
# ASSEMBLY INSTRUCTIONS

## STEP 13

Fix parts 4 to parts 12 using bolts (A) and allen key (L), as shown.



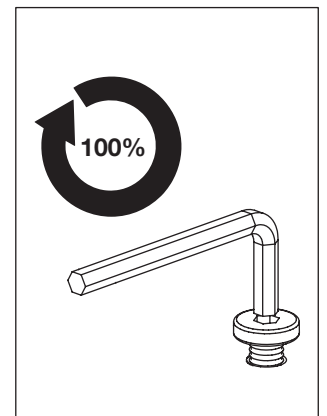
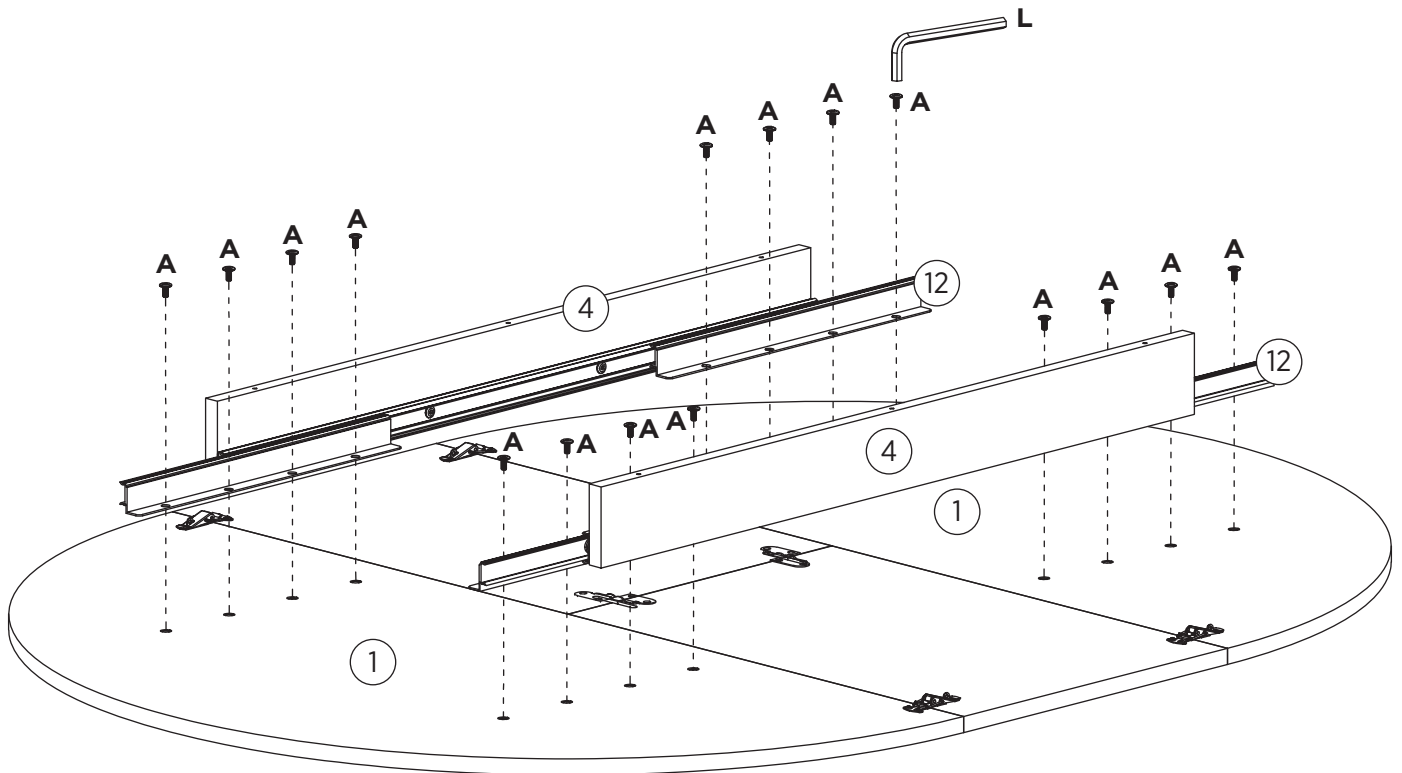
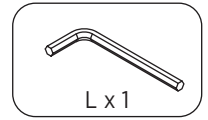
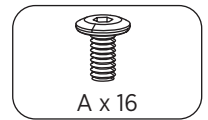
**x2**



# ASSEMBLY INSTRUCTIONS

## STEP 14

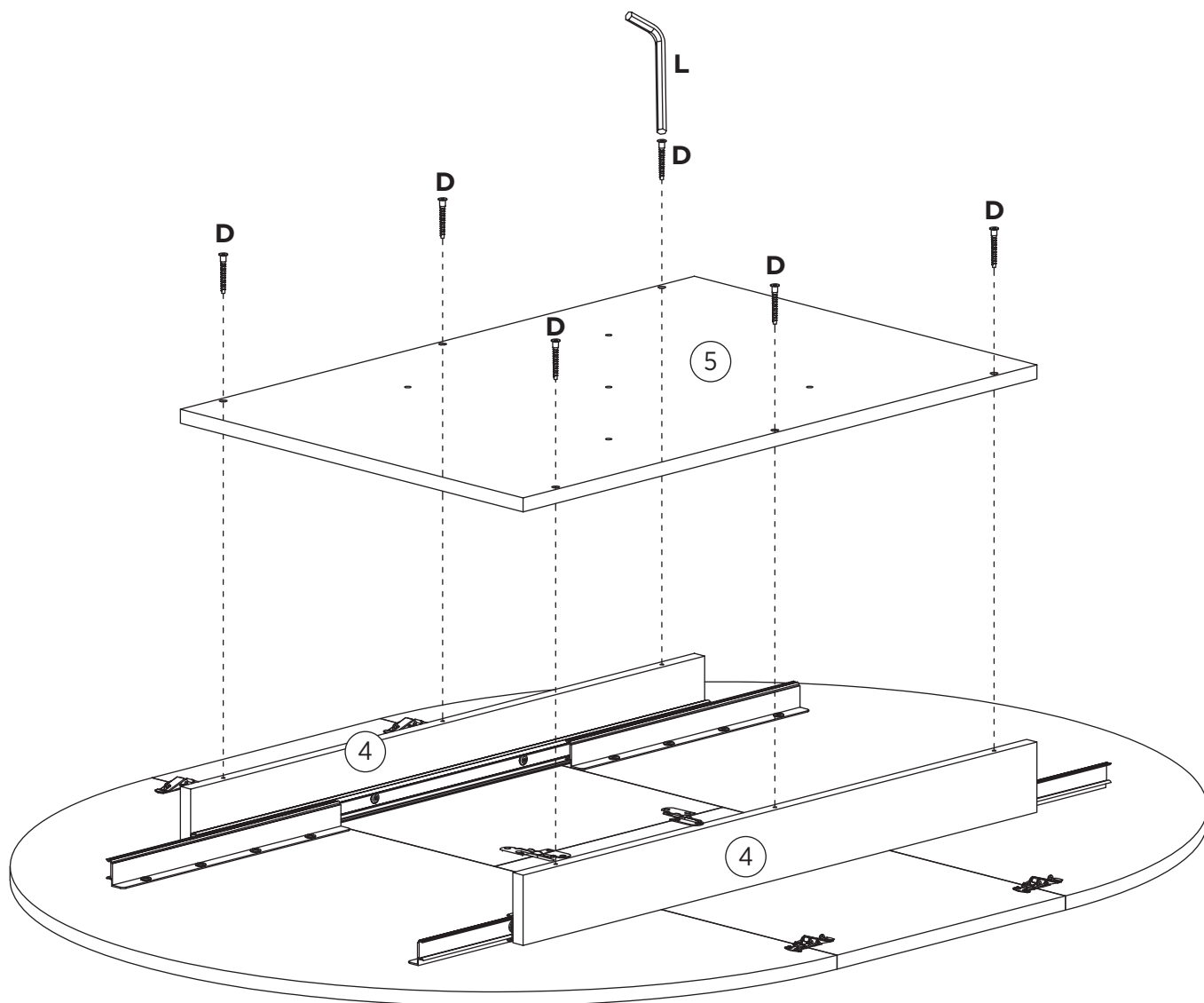
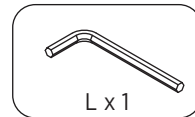
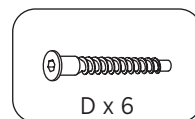
Fix parts 12 to parts 1 using bolts (A) and allen key (L), as shown.



# ASSEMBLY INSTRUCTIONS

## STEP 15

Fix part 5 to parts 4 using screws (D) and allen key (L), as shown.

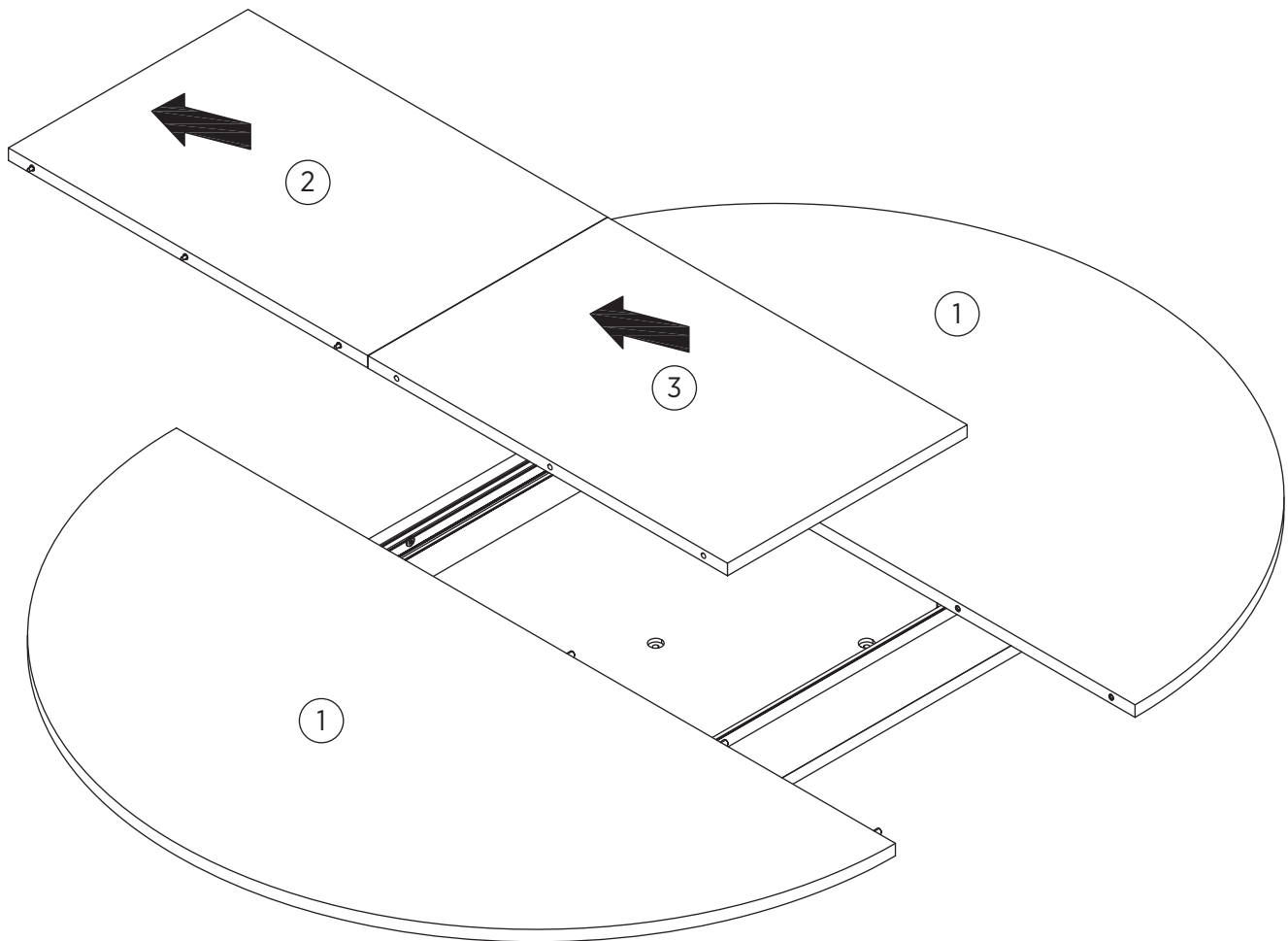


# ASSEMBLY INSTRUCTIONS

---

## STEP 16

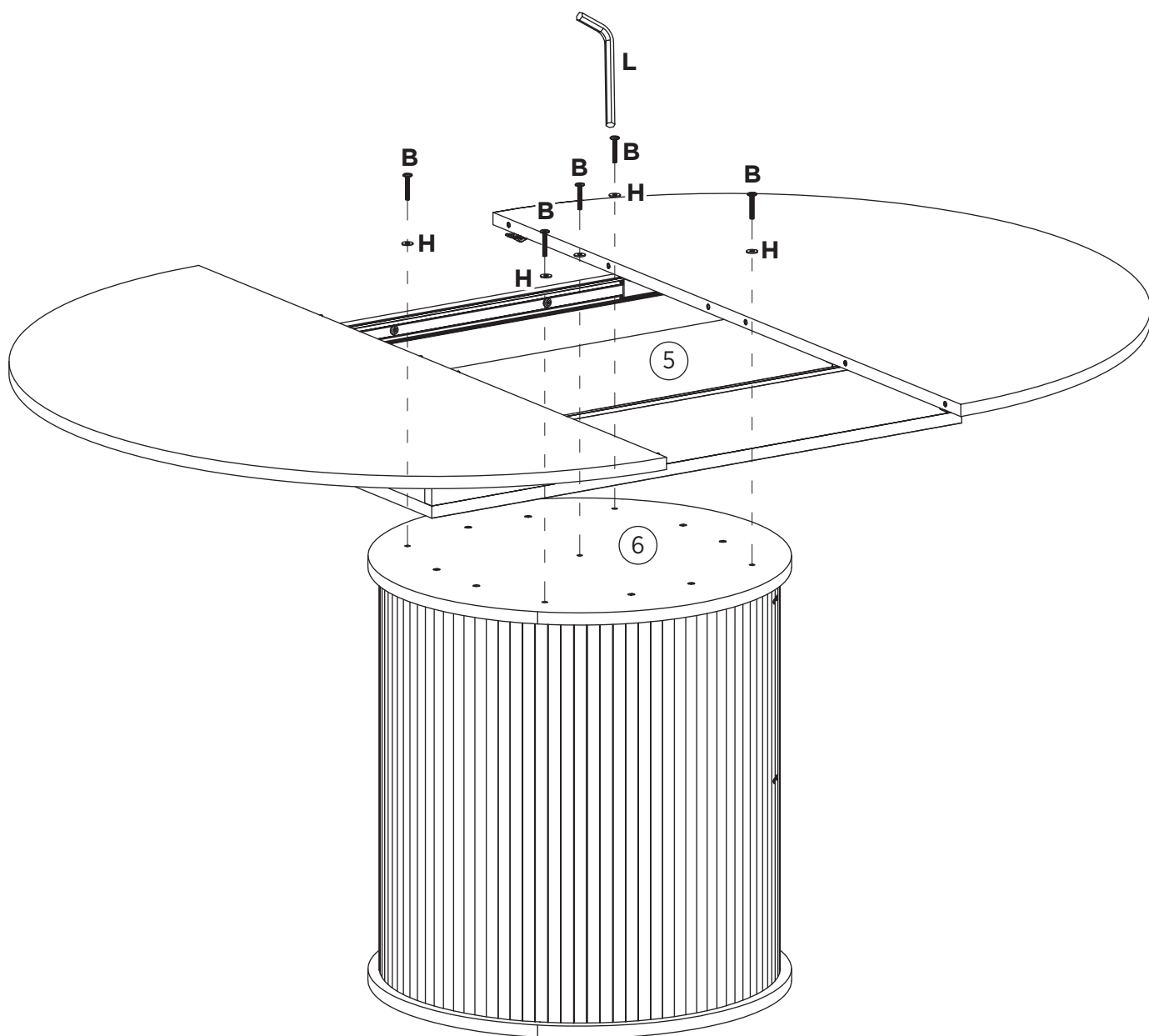
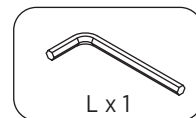
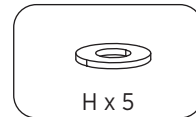
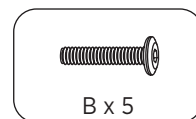
Release the lock of fastner and remove part 2 and 3, as shown.



# ASSEMBLY INSTRUCTIONS

## STEP 17

Fix part 5 to part 6 using washer (H) and bolts (B) tighten with allen key (L), as shown.

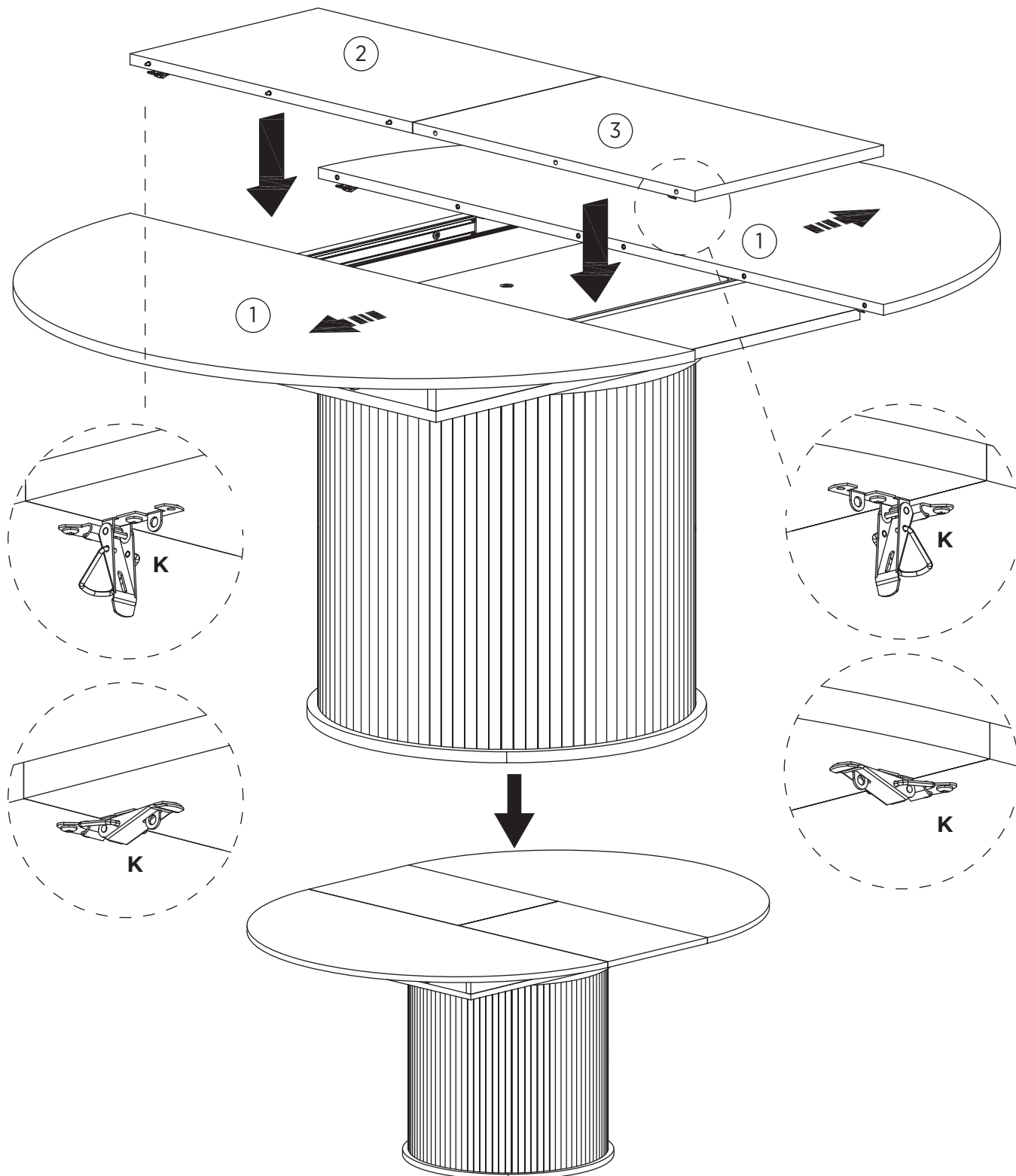


# ASSEMBLY INSTRUCTIONS

## STEP 18

Place parts 2 and 3 to the center of the table.

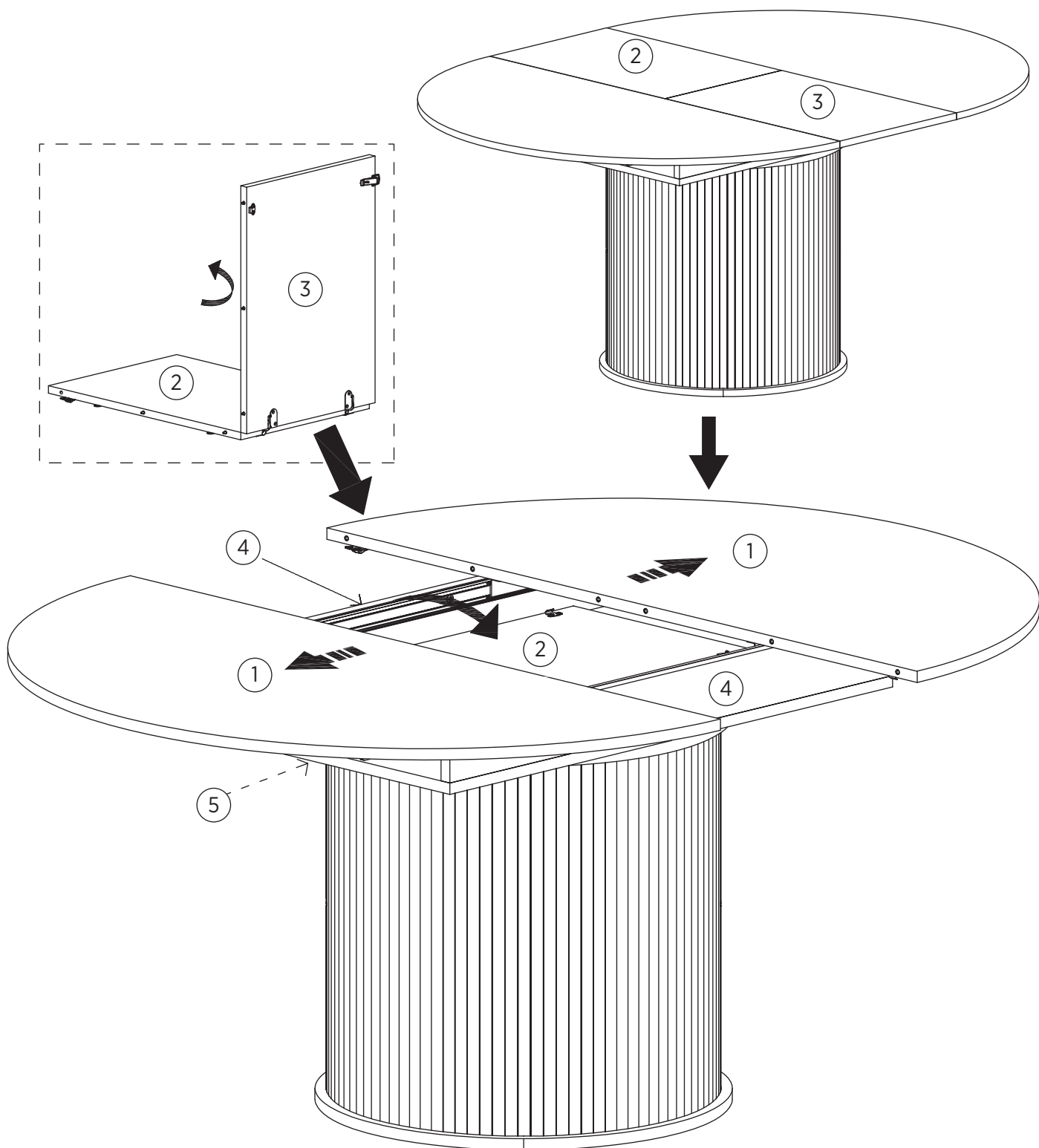
Lock the fasteners (K), as shown.



# ASSEMBLY INSTRUCTIONS

## STEP 19

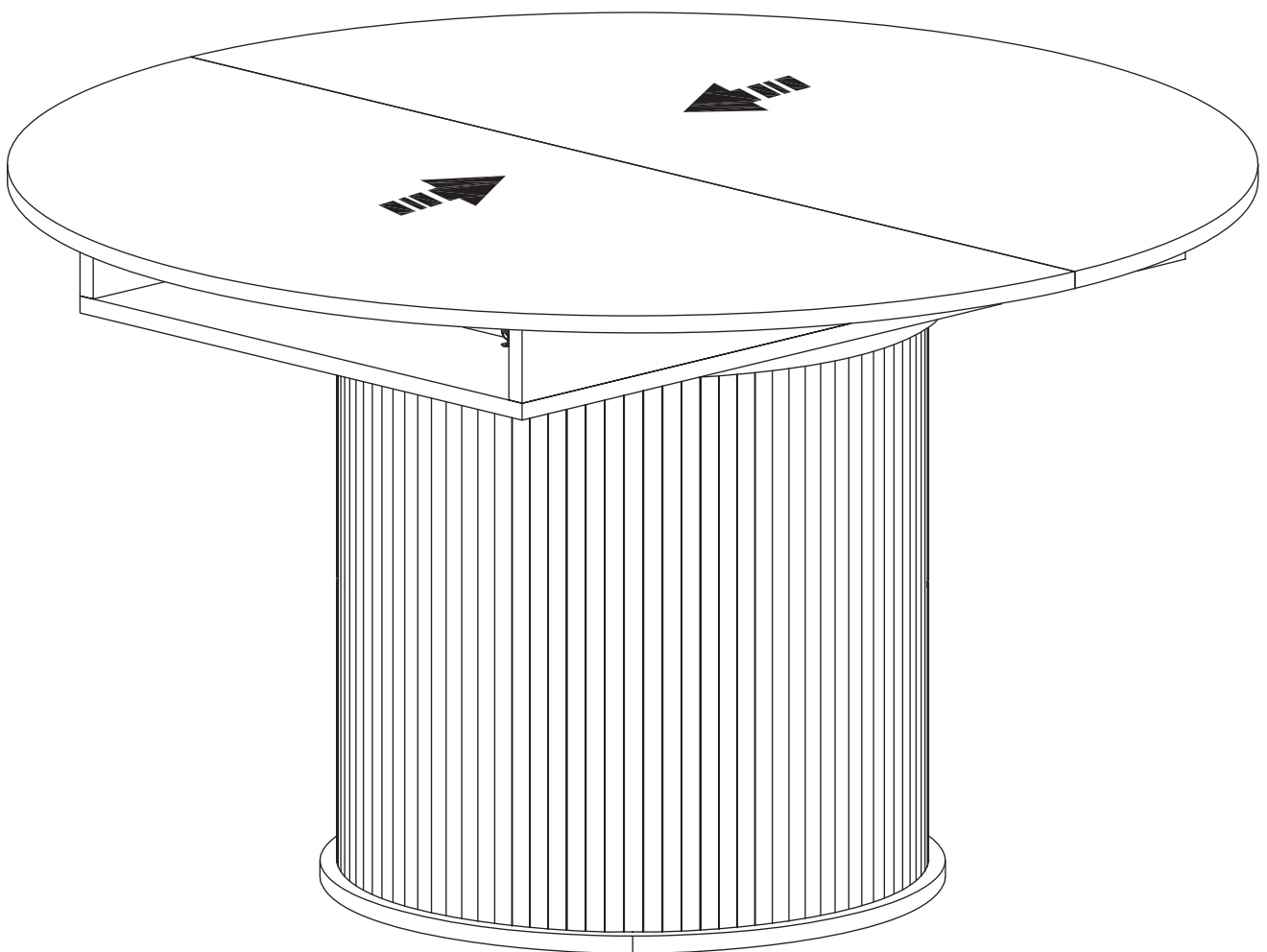
Fold 2 and 3 and place into the storage between parts 4 and 5, as shown.



# ASSEMBLY INSTRUCTIONS

---

## STEP 20



**Maximum recommended weight is 20KG.**

Your Dining Table 160W is ready for use.