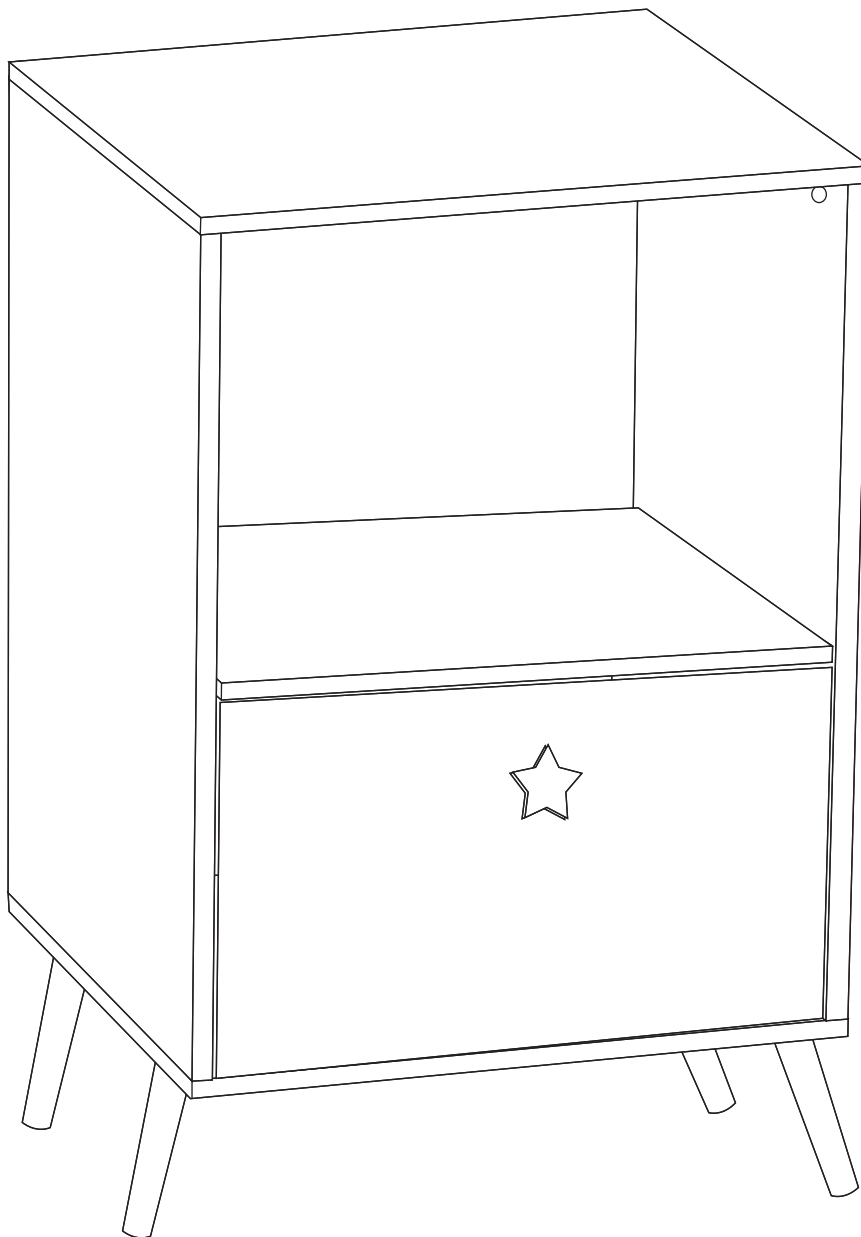


# STAR BEDSIDE TABLE 1 DRAWER

## ASSEMBLY INSTRUCTIONS



# TIPS BEFORE YOU START

---

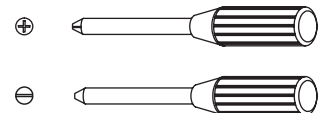
1. Please check that all parts are present before you start the assembly of your furniture.
2. For ease and speed of assembly, we recommend that before you commence each step of the assembly, that you identify all the parts required for that step.
3. For larger items, please ensure that you have sufficient space and people to assemble your product safely.
4. We recommend that, where possible, all items are assembled near to the area in which they will be placed in use, to avoid moving the product unnecessarily once assembled.
5. For the protection of your furniture, we recommend that the product is placed on a protected surface during assembly to prevent any damage.
6. During assembly please take care not to over-tighten any fittings, as this may damage the product. Do not use power tools.
7. Always place the product on a flat, steady and stable surface.
8. Do not stand on the product. Do not use the product as a stepladder.
9. This product is intended for indoor, household use only as it is a non-industrial product.
10. Please use caution and care when lifting the product to avoid personal injury and/or product damage.

## CARE AND MAINTENANCE OF YOUR FURNITURE

- Please periodically check all fittings and re-tighten as necessary.
- To clean your item, please use a damp cloth and wipe clean.
- To clean glass, please use glass cleaner.
- Never allow any kind of liquid to remain on your furniture. Absorption can cause wood to warp or finishes to de-laminate.
- Please do not place hot items (eg. hot drinks) directly on to the surface.
- Please do not drag and pull your furniture.

## ASSEMBLY REQUIREMENTS

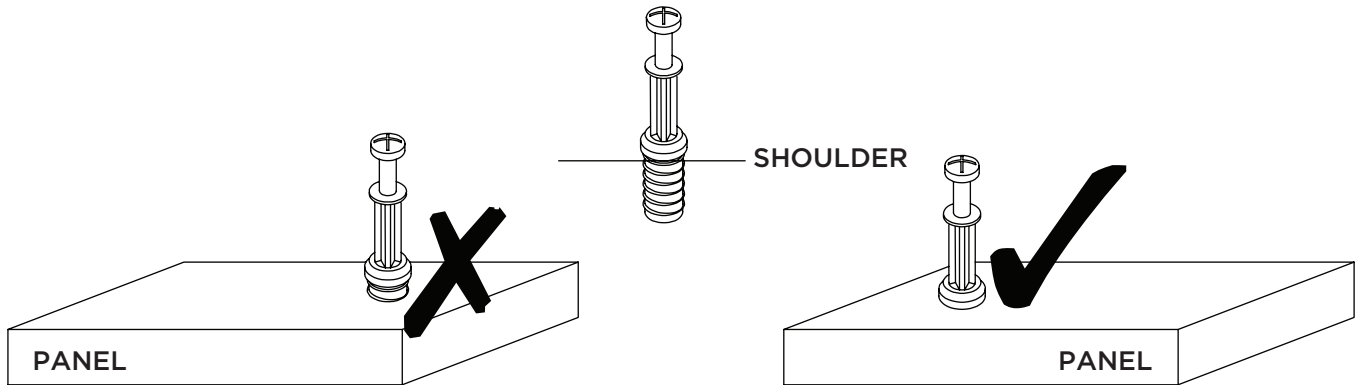
- Equipment: phillips head screwdriver, flat head screwdriver
- 1 x adult required
- 1.5m x 1.5m assembly space required
- 1 hour assembly time approx.



# USING CAM LOCK AND QUICKFIT

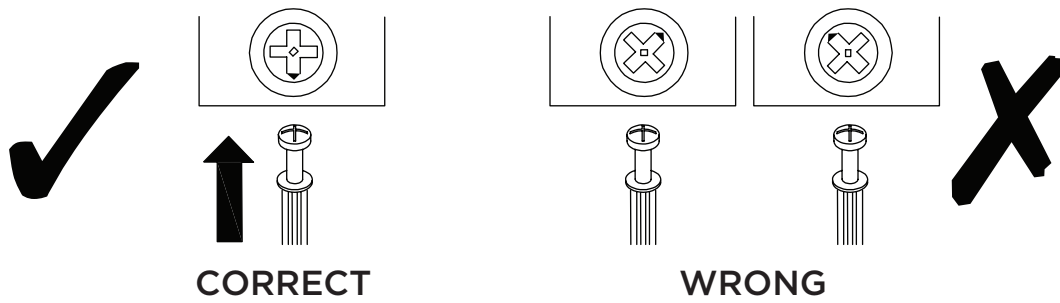
## QUICKFIT

Tighten quickfit until shoulder is flush with panel. Do not overtighten or undertighten.



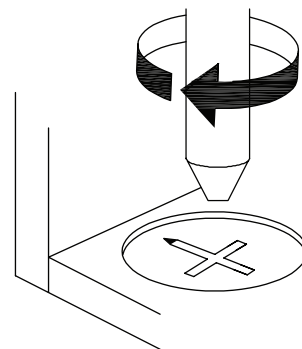
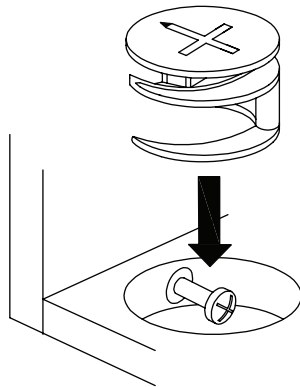
## CAM LOCK

When fitting cam lock, ensure starting position is correct before you insert connecting quickfit.



Quickfit head should be in the centre of the cam lock when the two panels are joined.  
Cam lock should be inserted before quickfit.

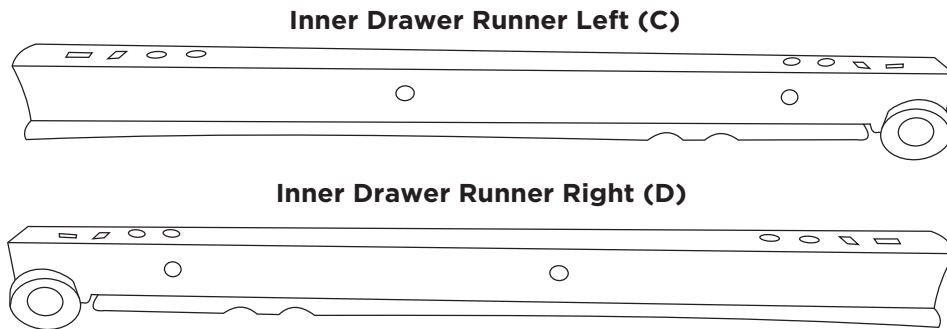
Turn cam lock clockwise to tighten.



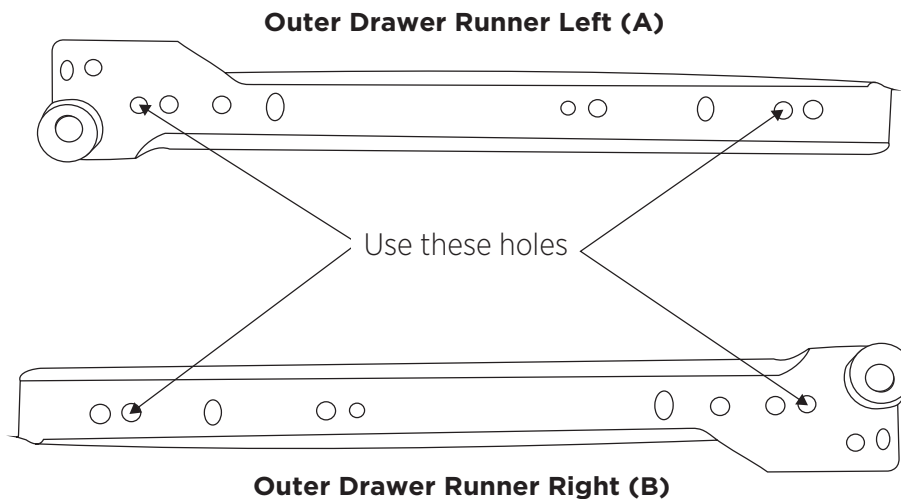
# DRAWER SLIDE GUIDE

---

Your pack will contain two sets of Metal Drawer Slides. These are bundled together with adhesive tape. The set comprises of 4 components. Undo the tape on one set at a time and separate the parts.



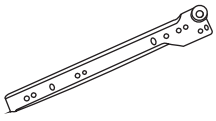
The Drawer Slide components shown above are attached to the **drawers**. They have the letters **DL** or **DR** stamped on them to indicate left hand or right hand components. Put these parts aside for attaching to the drawer later.



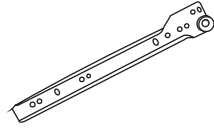
The Drawer Slide components shown above are attached to the **bedside table**. They have the letters **CL** or **CR** stamped on them to indicate left hand or right hand components. You will need these for step 1 and 2.

# HARDWARE LIST

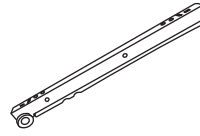
---



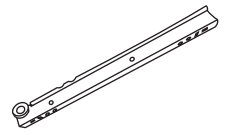
1 x A  
Outer Drawer Runner  
Left



1 x B  
Outer Drawer Runner  
Right



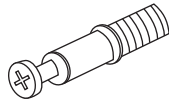
1 x C  
Inner Drawer Runner  
Left



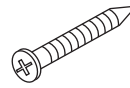
1 x D  
Outer Drawer Runner  
Left



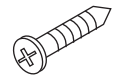
8 x E  
Cam Lock



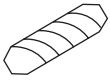
8 x F  
Quickfit Screw



8 x G  
Screw



8 x H  
Screw



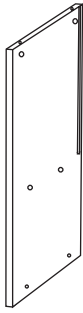
2 x I  
Wooden Dowel



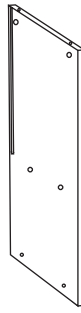
4 x J  
Eva Foot Pad

# PARTS LIST

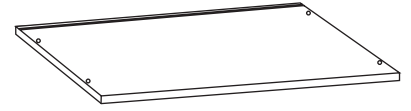
---



**1**  
1 PC



**2**  
1 PC



**3**  
1 PC



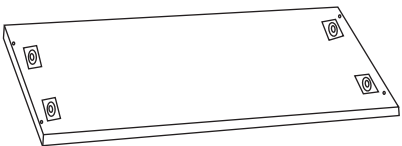
**4**  
1 PC



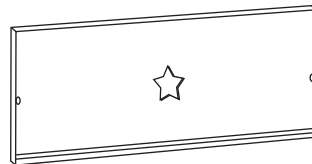
**5**  
1 PC



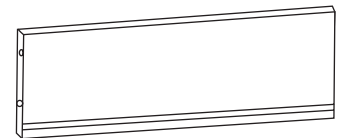
**6**  
1 PC



**7**  
1 PC



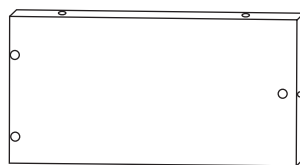
**8**  
1 PC



**9**  
1 PC



**10**  
1 PC



**11**  
1 PC



**12**  
4 PCS

# ASSEMBLY INSTRUCTIONS

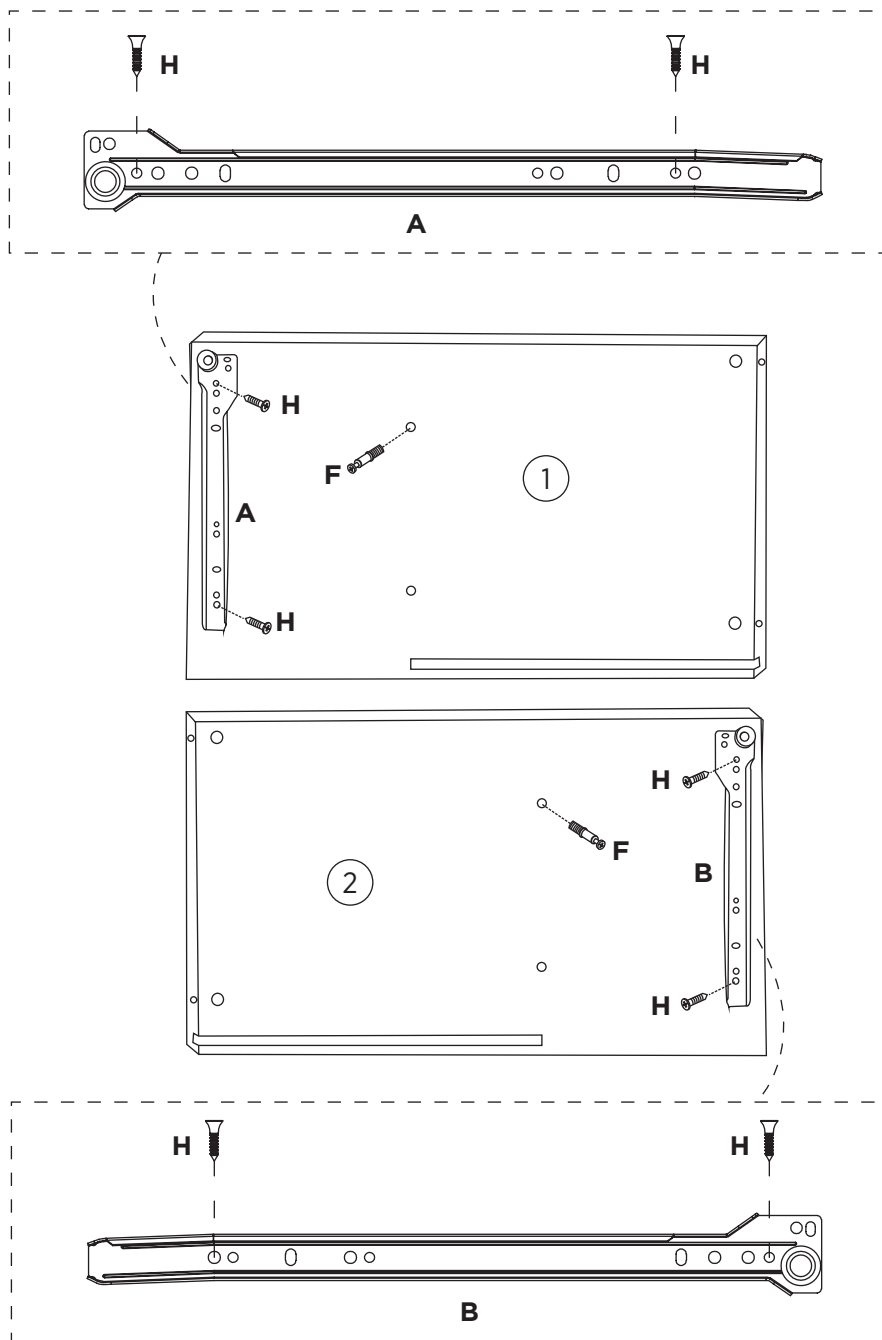
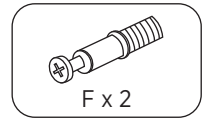
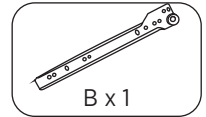
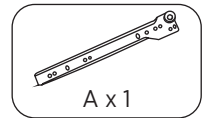
## STEP 1

Fix left and right outer drawer runners (A) and (B) to parts 1 and 2 using screws (H).

Insert quickfit screws (F) to parts 1 and 2, as shown.

### WARNING

The most common cause of drawers being misaligned is at the drawer assembly and runner installation stage. Please ensure all instructions and screw hole positions are followed as indicated to avoid misaligned drawers.



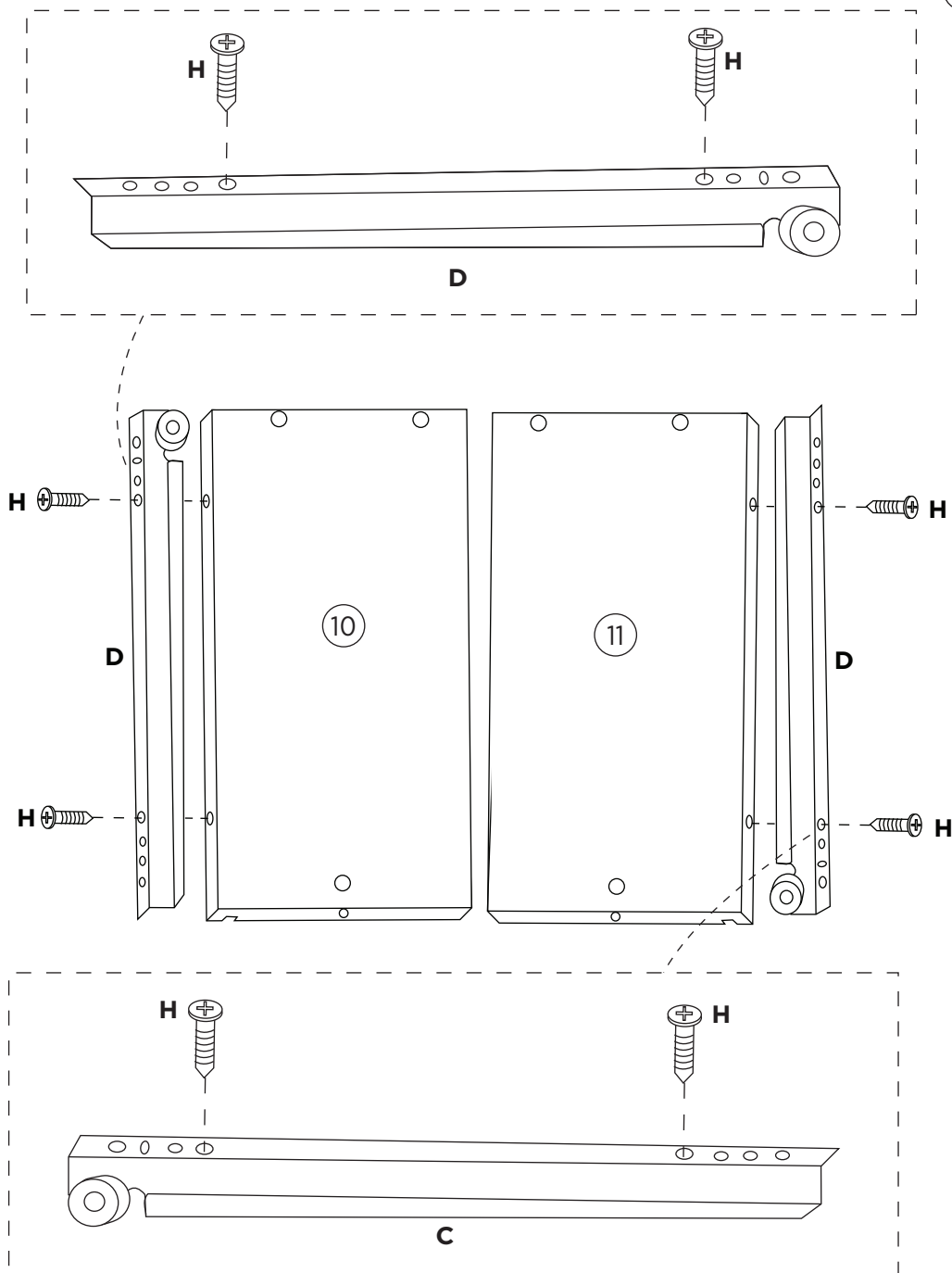
# ASSEMBLY INSTRUCTIONS

## STEP 2

Fix left and right inner drawer runners (C) and (D) to parts 10 and 11 using screws (H), as shown.

### WARNING

The most common cause of drawers being misaligned is at the drawer assembly and runner installation stage. Please ensure all instructions and screw hole positions are followed as indicated to avoid misaligned drawers.



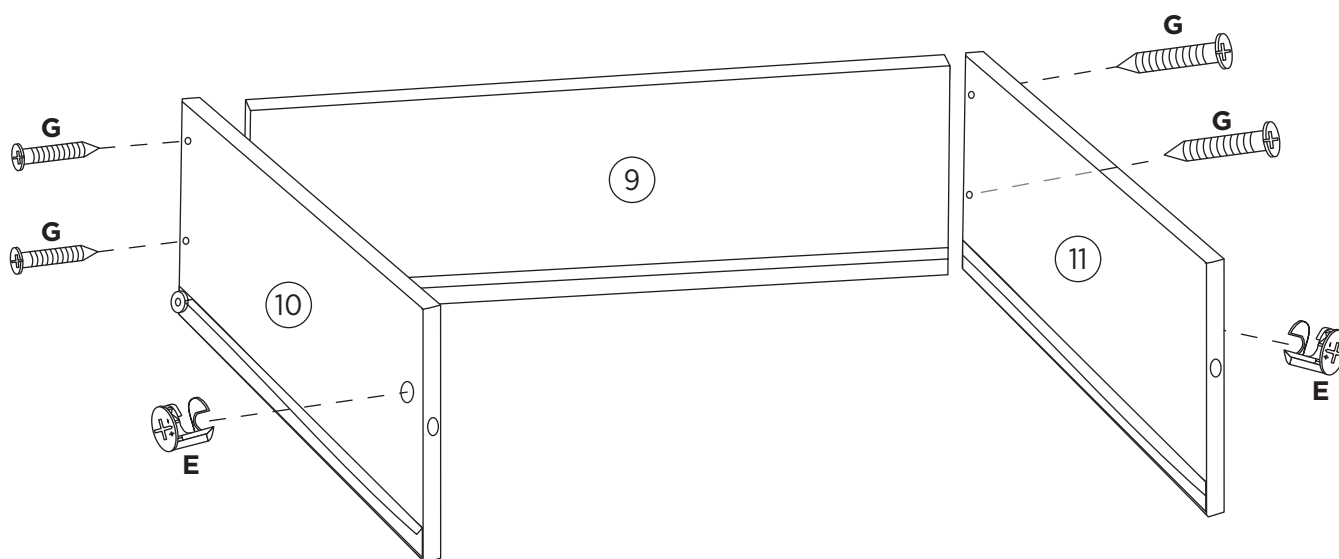
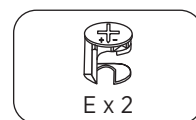
# ASSEMBLY INSTRUCTIONS

## STEP 3

Insert cam locks (E) to parts 10 and 11.

Fix parts 10 and 11 to part 9 using screws (G), as shown.

Turn cam locks clockwise to tighten.

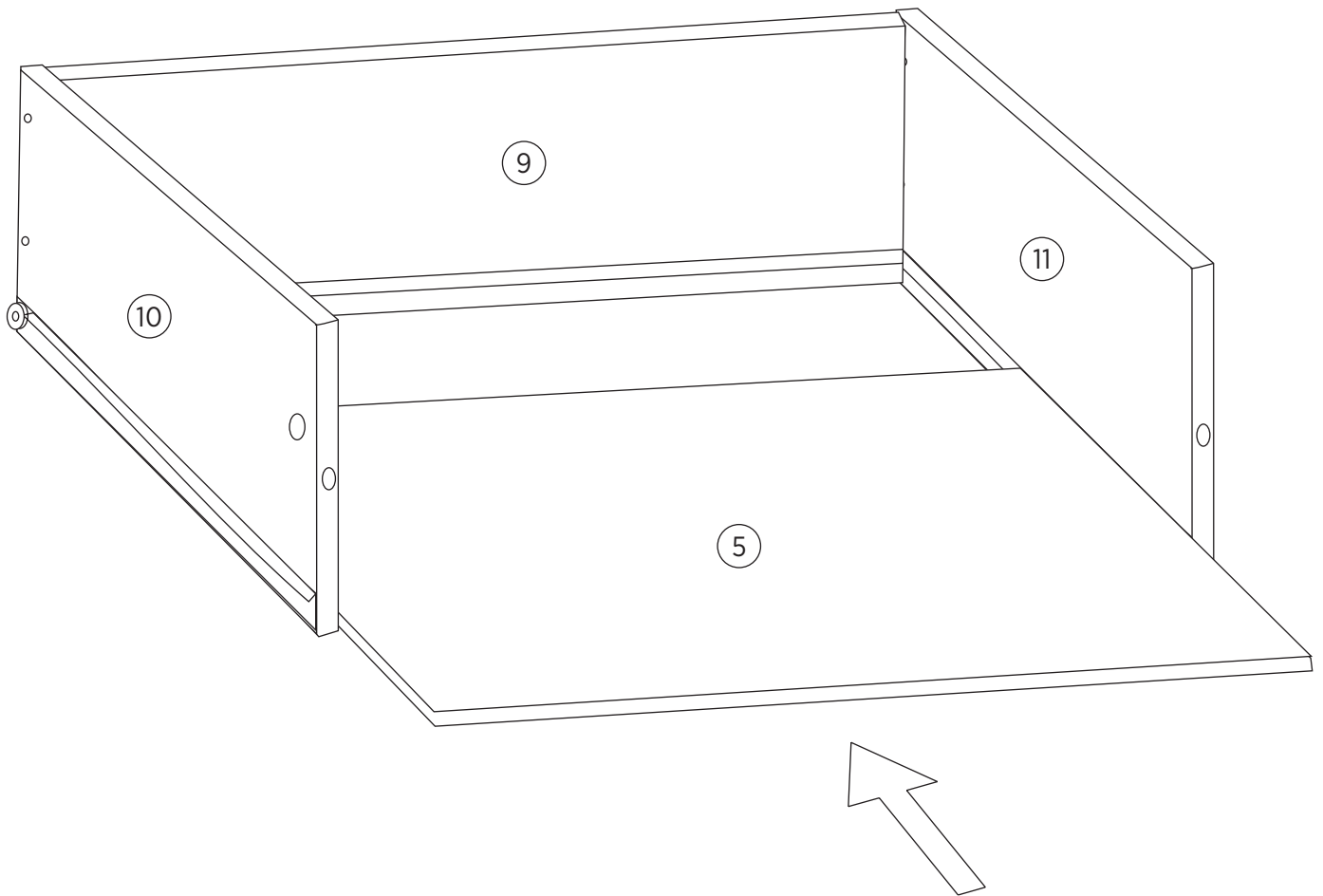


# ASSEMBLY INSTRUCTIONS

---

## STEP 4

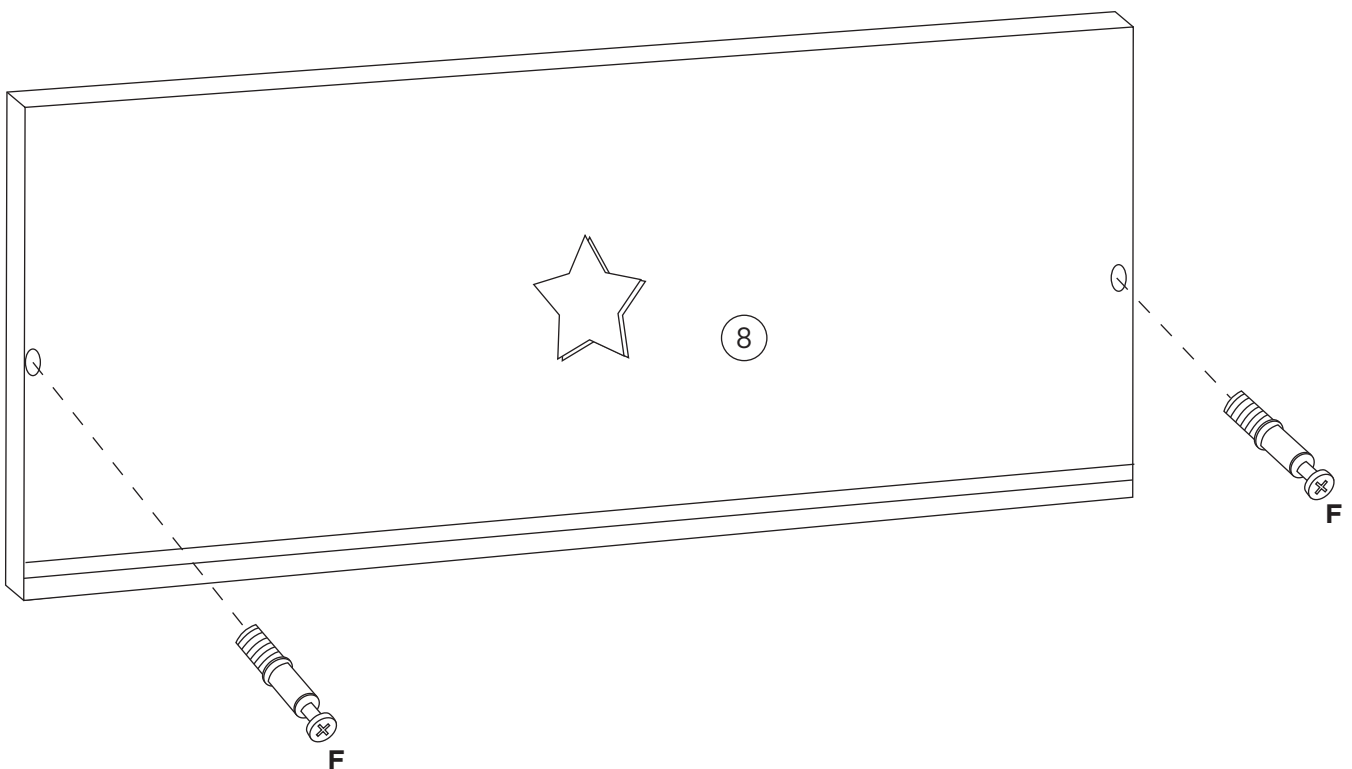
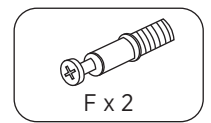
Slide part 5 into grooves between parts 9, 10 and 11, as shown.



# ASSEMBLY INSTRUCTIONS

## STEP 5

Insert quickfit screws (F) to part 8, as shown.

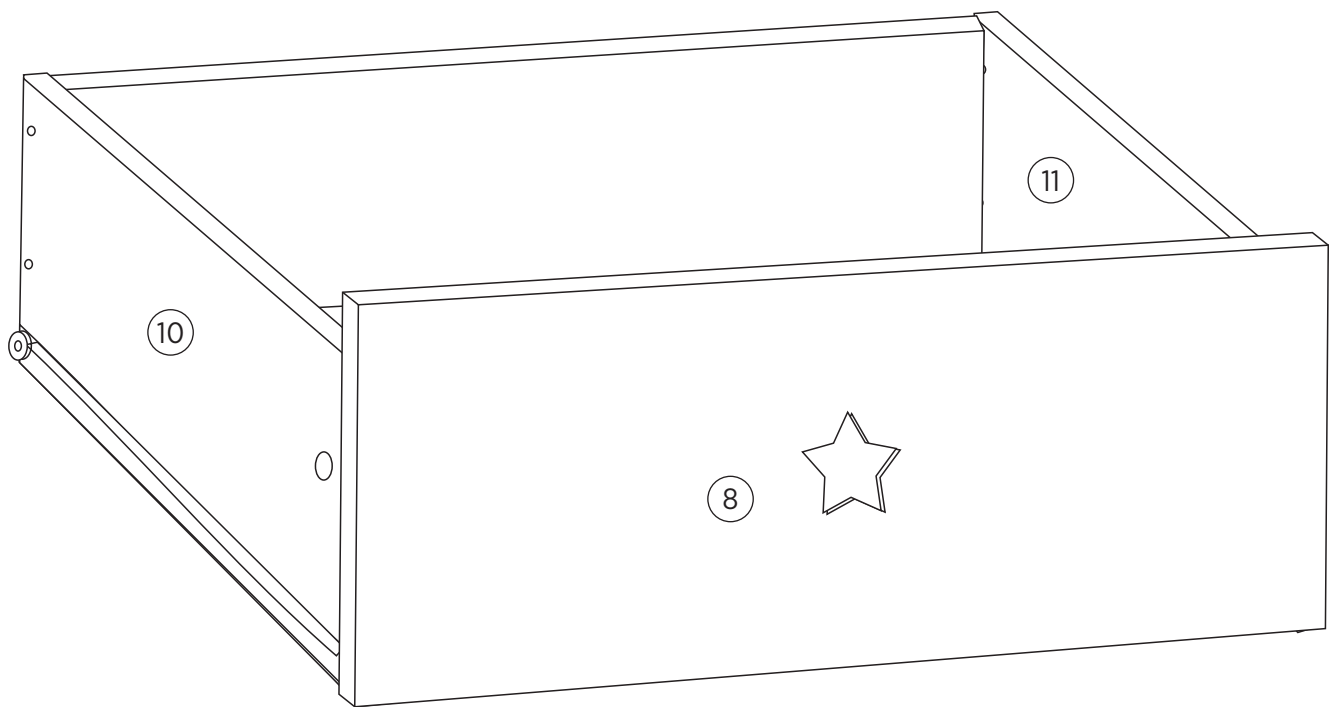


# ASSEMBLY INSTRUCTIONS

---

## STEP 6

Attach part 8 to assembled drawer, as shown.



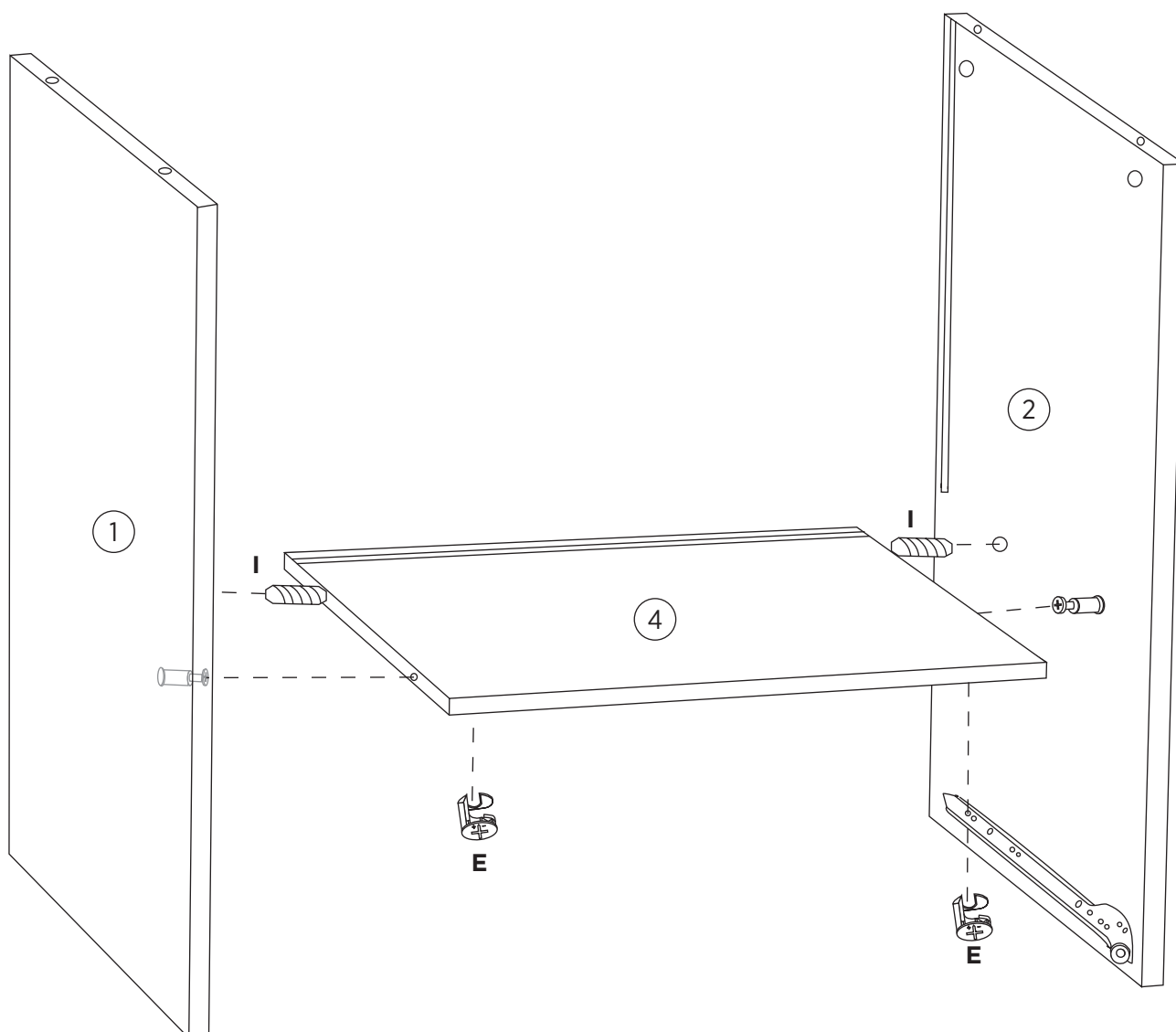
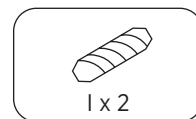
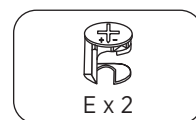
# ASSEMBLY INSTRUCTIONS

## STEP 7

Insert cam locks (E) and wooden dowels (I) to part 4.

Attach parts 1 and 2 to part 4, as shown.

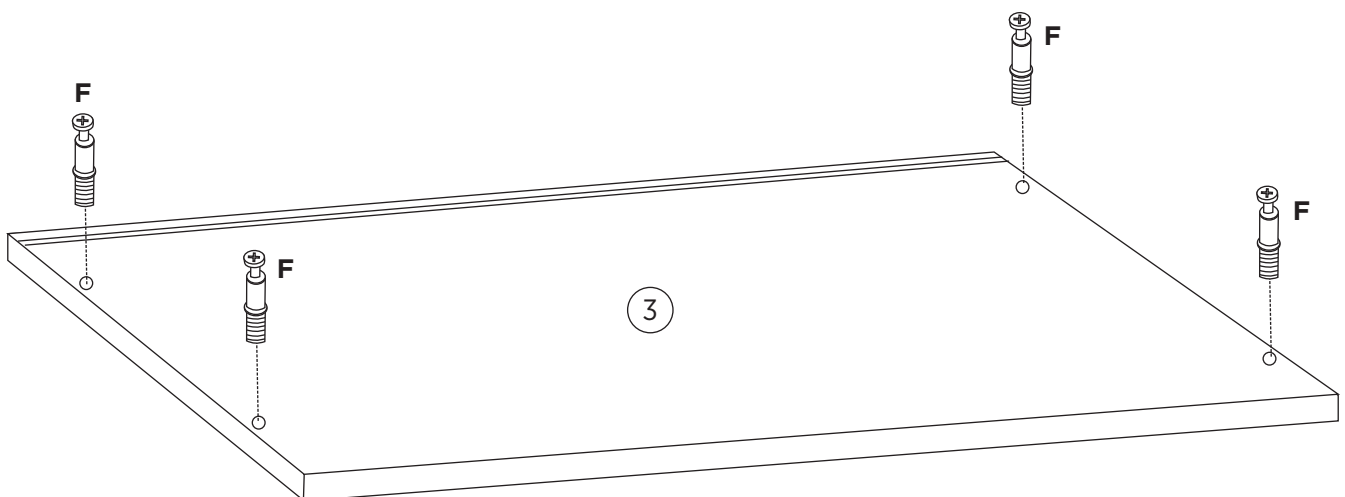
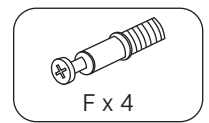
Turn cam locks clockwise to tighten.



# ASSEMBLY INSTRUCTIONS

## STEP 8

Insert quickfit screws (F) to part 3..



# ASSEMBLY INSTRUCTIONS

## STEP 9

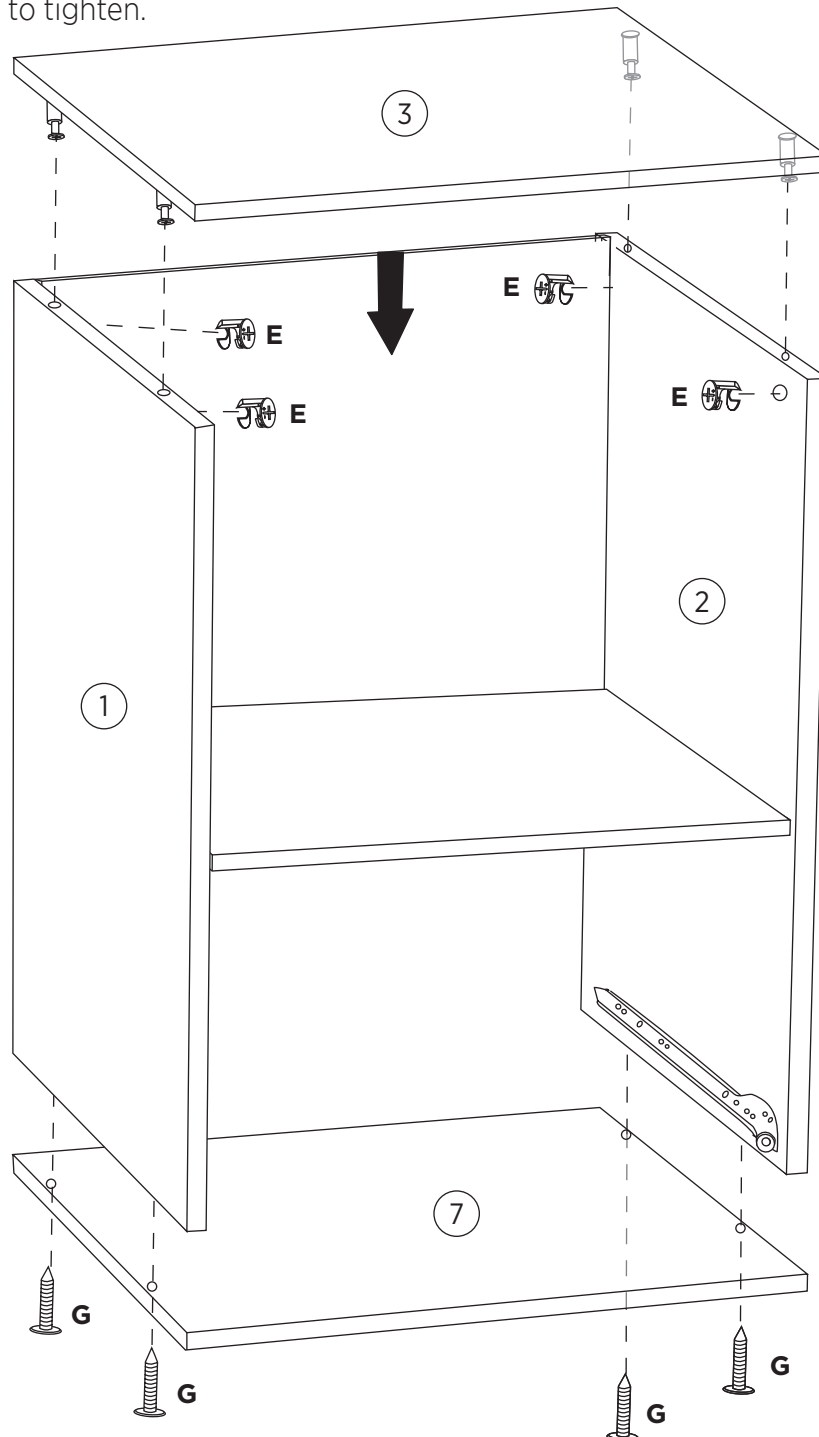
Fix part 7 to parts 1 and 2 using screws (G).

Insert cam locks (E) to parts 1 and 2.

Attach part 3 to parts 1 and 2.

Slide part 6 into grooves between parts 1 and 2, as shown.

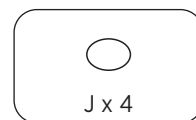
Turn cam locks clockwise to tighten.



# ASSEMBLY INSTRUCTIONS

## STEP 10

Fix legs 12 to part 7 by turning clockwise, as shown.

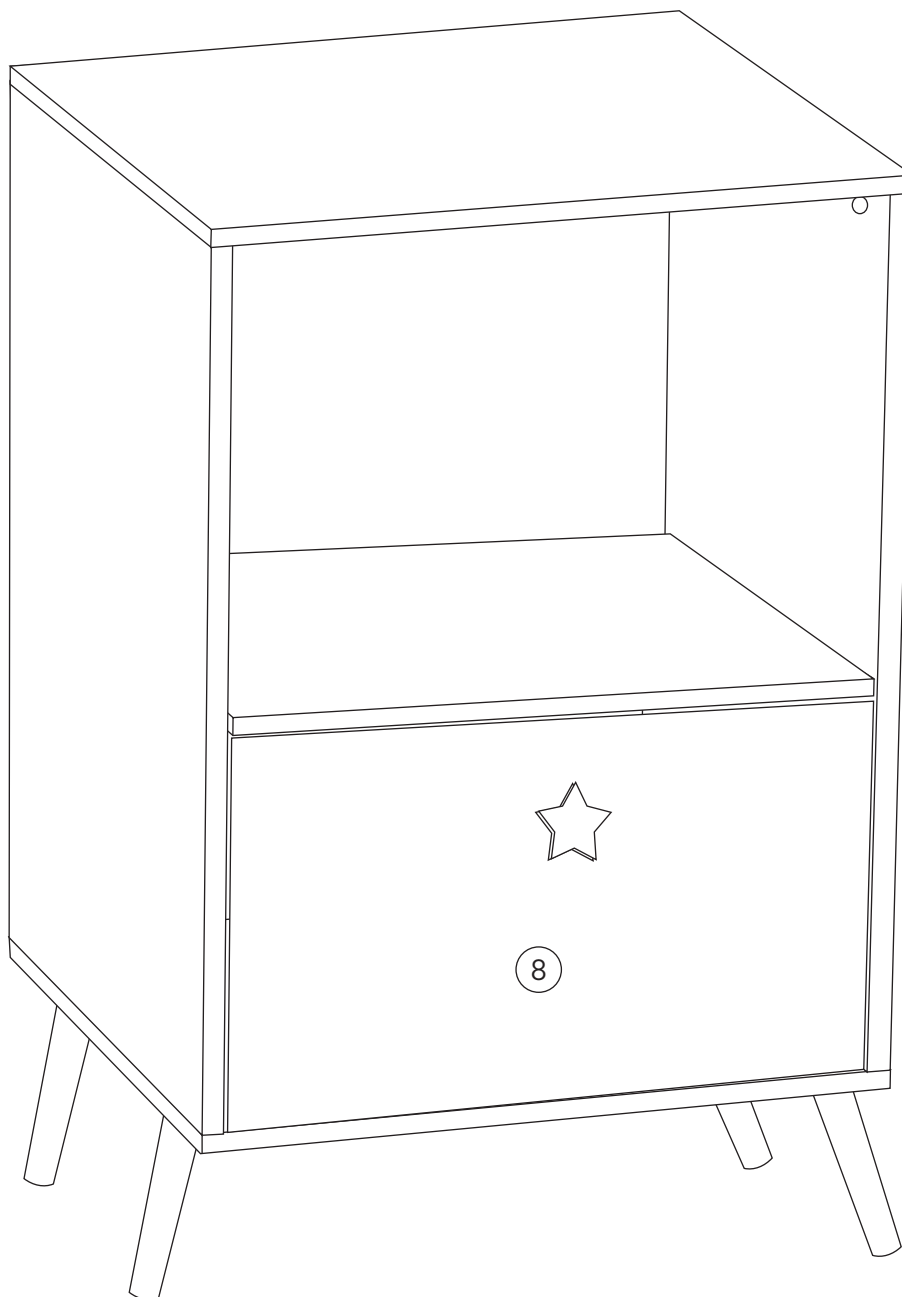


# ASSEMBLY INSTRUCTIONS

---

## STEP 11

Insert drawer into bedside, as shown.



**Maximum recommended weight is 5kg on top, 5kg for shelf and 5kg inside drawer.**

Your bedside cupboard is ready for use.