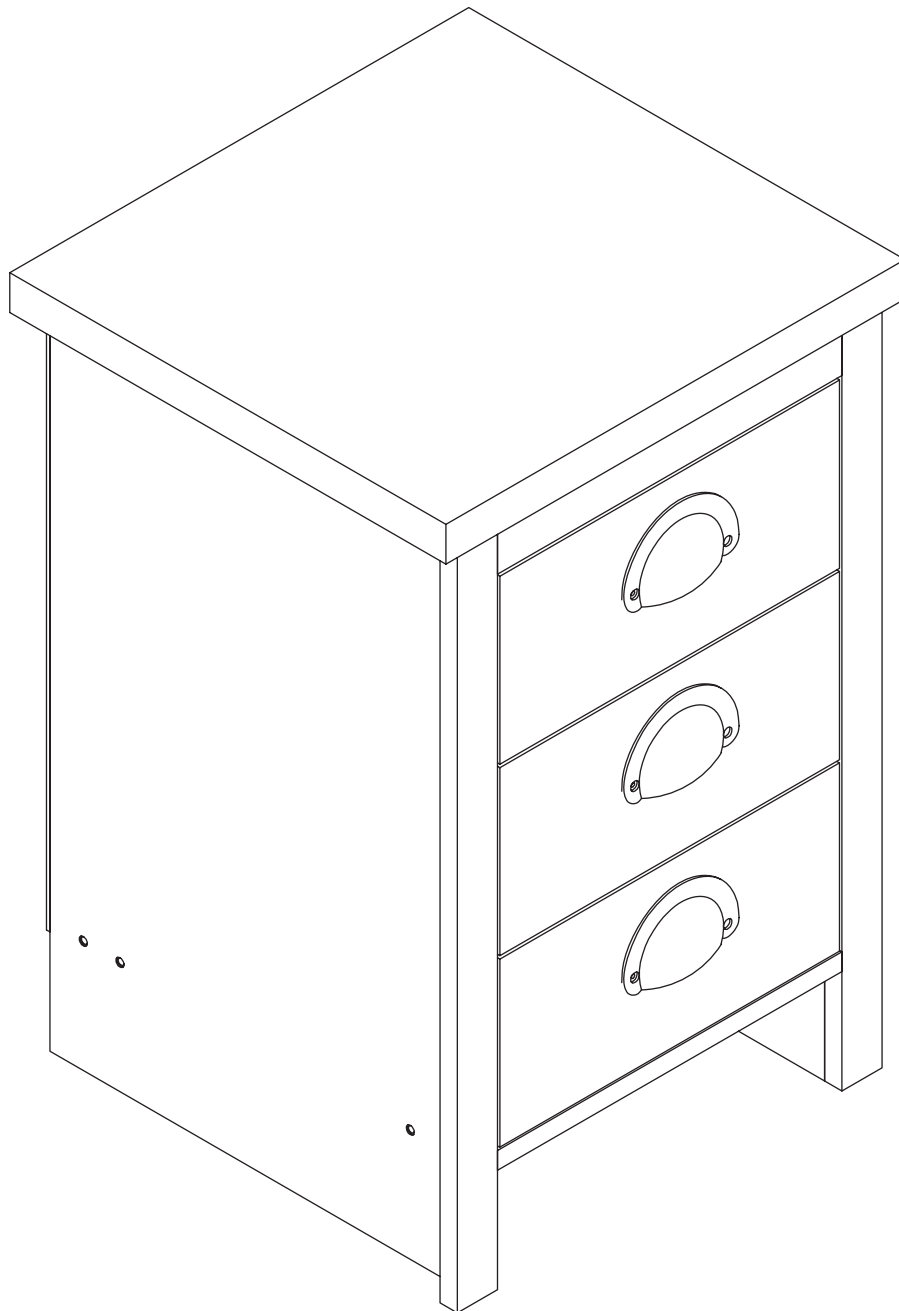


BEDSIDE TABLE 3 DRAWERS

ASSEMBLY INSTRUCTIONS



TIPS BEFORE YOU START

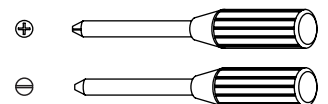
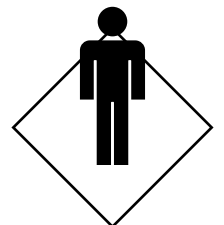
1. Please check that all parts are present before you start the assembly of your furniture.
2. For ease and speed of assembly, we recommend that before you commence each step of the assembly, that you identify all the parts required for that step.
3. For larger items, please ensure that you have sufficient space and people to assemble your product safely.
4. We recommend that, where possible, all items are assembled near to the area in which they will be placed in use, to avoid moving the product unnecessarily once assembled.
5. For the protection of your furniture, we recommend that the product is placed on a protected surface during assembly to prevent any damage.
6. During assembly please take care not to over-tighten any fittings, as this may damage the product. Do not use power tools.
7. Always place the product on a flat, steady and stable surface.
8. Do not stand on the product. Do not use the product as a stepladder.
9. This product is intended for indoor, household use only as it is a non-industrial product.
10. Please use caution and care when lifting the product to avoid personal injury and/or product damage.

CARE AND MAINTENANCE OF YOUR FURNITURE

- ✓ Please periodically check all fittings and re-tighten as necessary.
- ✓ To clean your item, please use a damp cloth and wipe clean.
- ✓ To clean glass, please use glass cleaner.
- ✓ Never allow any kind of liquid to remain on your furniture. Absorption can cause wood to warp or finishes to de-laminate.
- ✓ Please do not place hot items (eg. hot drinks) directly on to the surface.
- ✓ Please do not drag and pull your furniture.

ASSEMBLY REQUIREMENTS

- ✓ Equipment: phillips head screwdriver, flat head screwdriver
- ✓ 1 x adult required
- ✓ 1m x 1m assembly space required
- ✓ 1 hour assembly time approx.



ANTI-TOPPLING WARNING

CHILDREN HAVE DIED FROM FURNITURE TIPOVER.

- **ALWAYS** secure this furniture with an anchor device
- **NEVER** allow children to stand, climb or hang on drawers, doors or shelves
- **NEVER** open more than one drawer at a time
- **NEVER** put a TV on this furniture
- Place heavy items down low

For more information, visit <https://www.productsafety.gov.au>

! WARNING



Children have died from furniture tipover.

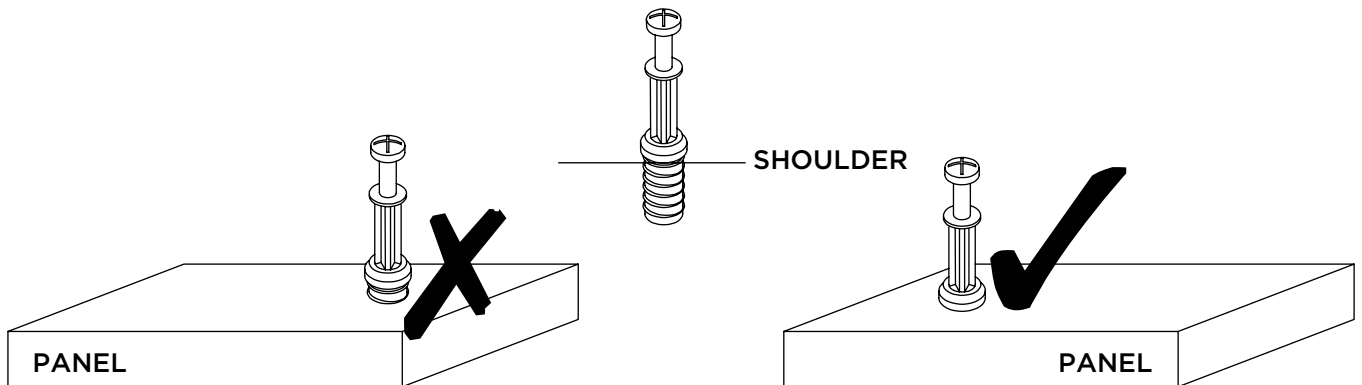
- ALWAYS secure this furniture with an anchor device.
- NEVER allow children to stand, climb or hang on drawers, doors, or shelves.
- NEVER open more than one drawer at a time.
- Place heavy items down low.

NEVER put a TV on this furniture 

USING CAM LOCK AND QUICKFIT

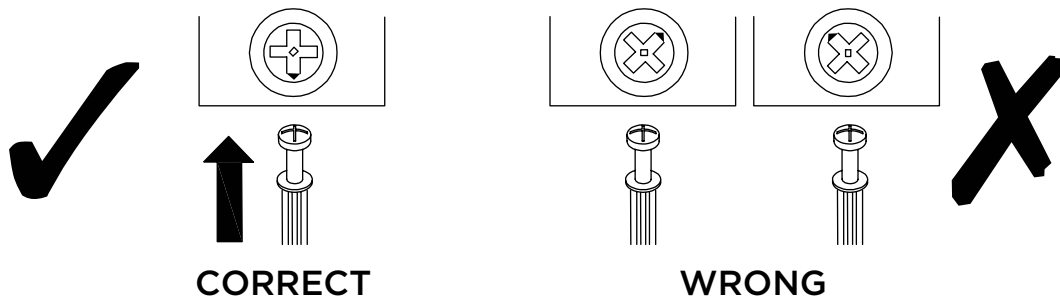
QUICKFIT

Tighten quickfit until shoulder is flush with panel. Do not overtighten or undertighten.



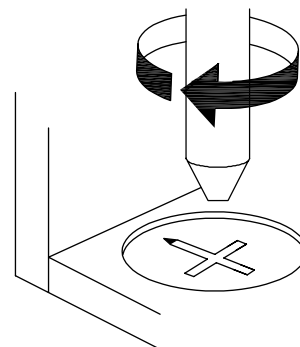
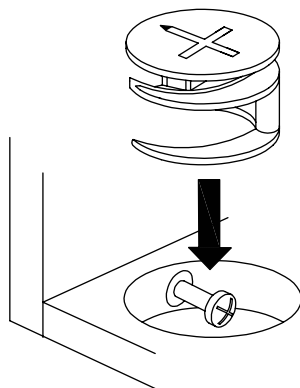
CAM LOCK

When fitting cam lock, ensure starting position is correct before you insert connecting quickfit.



Quickfit head should be in the centre of the cam lock when the two panels are joined.
Cam lock should be inserted before quickfit.

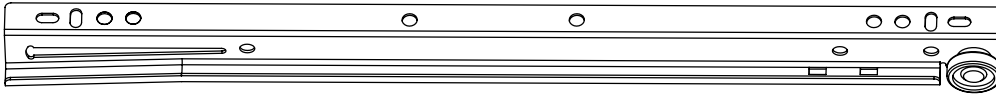
Turn cam lock clockwise to tighten.



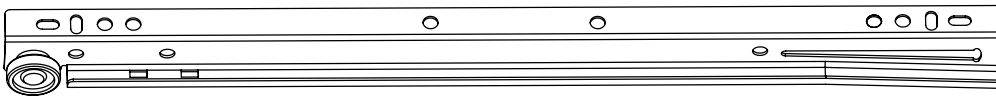
DRAWER SLIDE GUIDE

Your pack will contain two sets of Metal Drawer Slides. These are bundled together with adhesive tape. The set comprises of 4 components. Undo the tape on one set at a time and separate the parts.

Inner Drawer Runner Left (L)

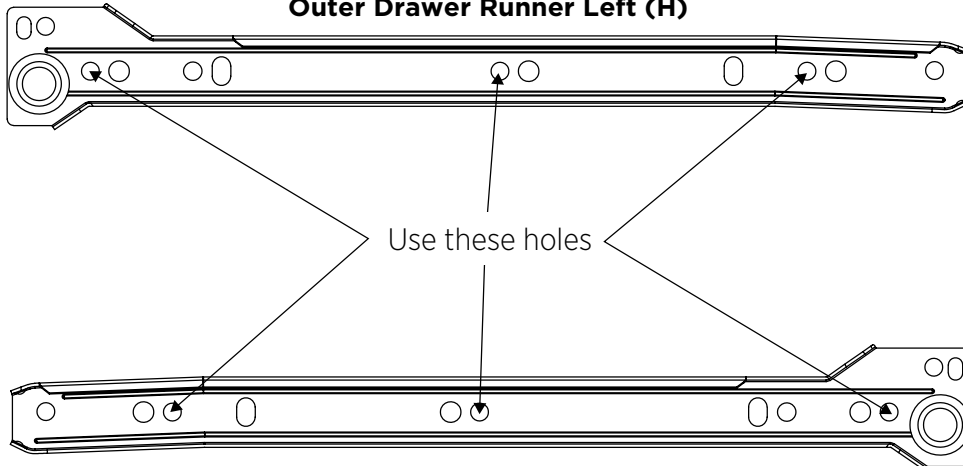


Inner Drawer Runner Right (K)



The Drawer Slide components shown above are attached to the **drawers**. They have the letters **DL** or **DR** stamped on them to indicate left hand or right hand components. Put these parts aside for attaching to the drawer later.

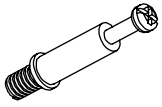
Outer Drawer Runner Left (H)



Outer Drawer Runner Right (G)

The Drawer Slide components shown above are attached to the **cabinet**. They have the letters **CL** or **CR** stamped on them to indicate left hand or right hand components. You will need these for step 4 and 12.

HARDWARE LIST



22 x A
Quickfit
Screw



22 x B
Cam Lock



6 x C
Screw



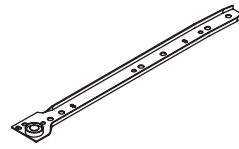
4 x D
Wooden
Dowel



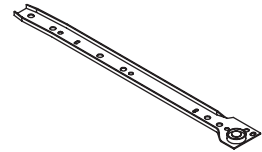
36 x E
Screw



8 x F
Cap Sticker



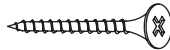
3 x G
Right Inner
Drawer Runner



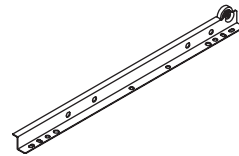
3 x H
Left Inner
Drawer Runner



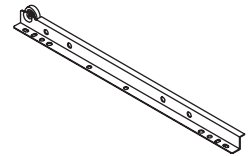
14 x I
Nail



20 x J
Screw



3 x K
Right Outer
Drawer Runner

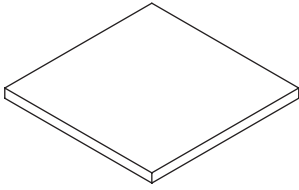


3 x L
Left Outer
Drawer Runner

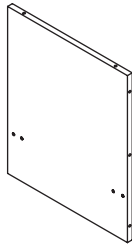


3 x M
Handle

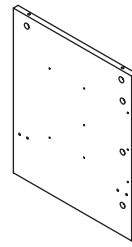
PARTS LIST



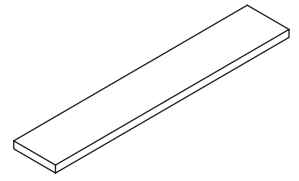
1
1 PC



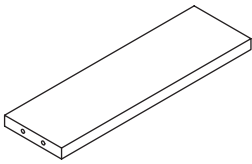
2
1 PC



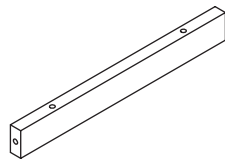
3
1 PC



4
1 PC



5
1 PC



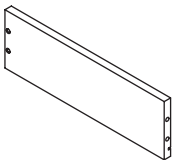
6
1 PC



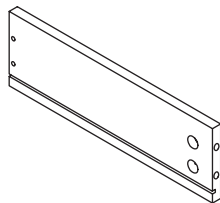
7
1 PC



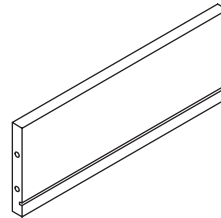
8
1 PCPCS



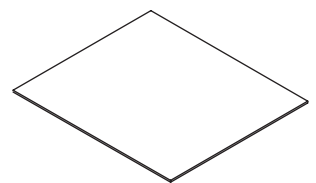
9
3 PCS



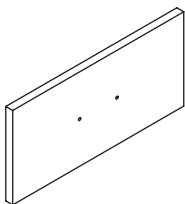
10
3 PCS



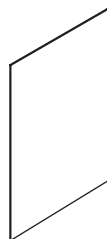
11
3 PCS



12
3 PCS



13
3 PCS

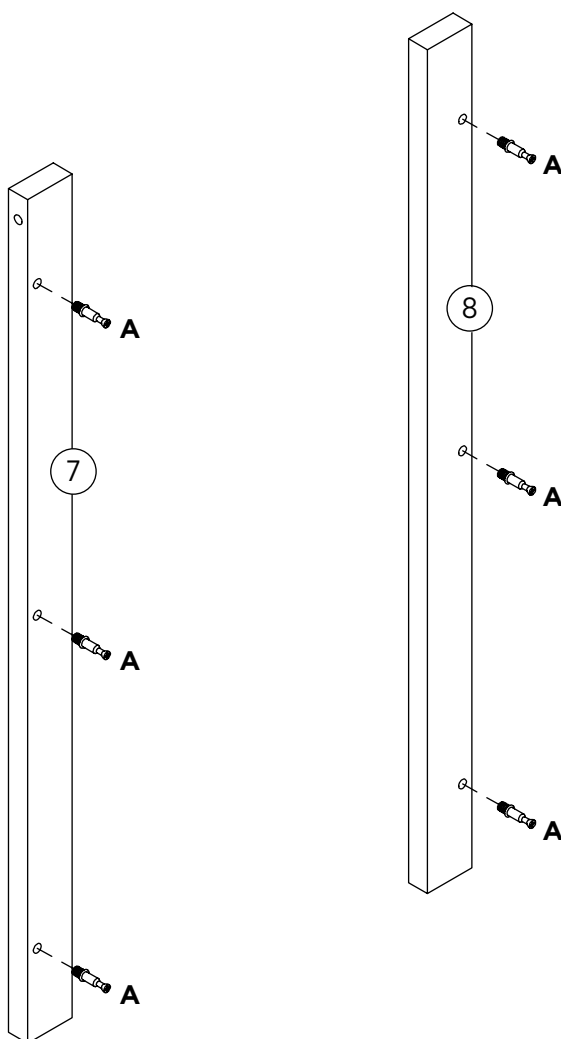
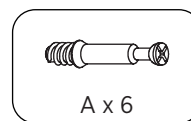


14
1 PC

ASSEMBLY INSTRUCTIONS

STEP 1

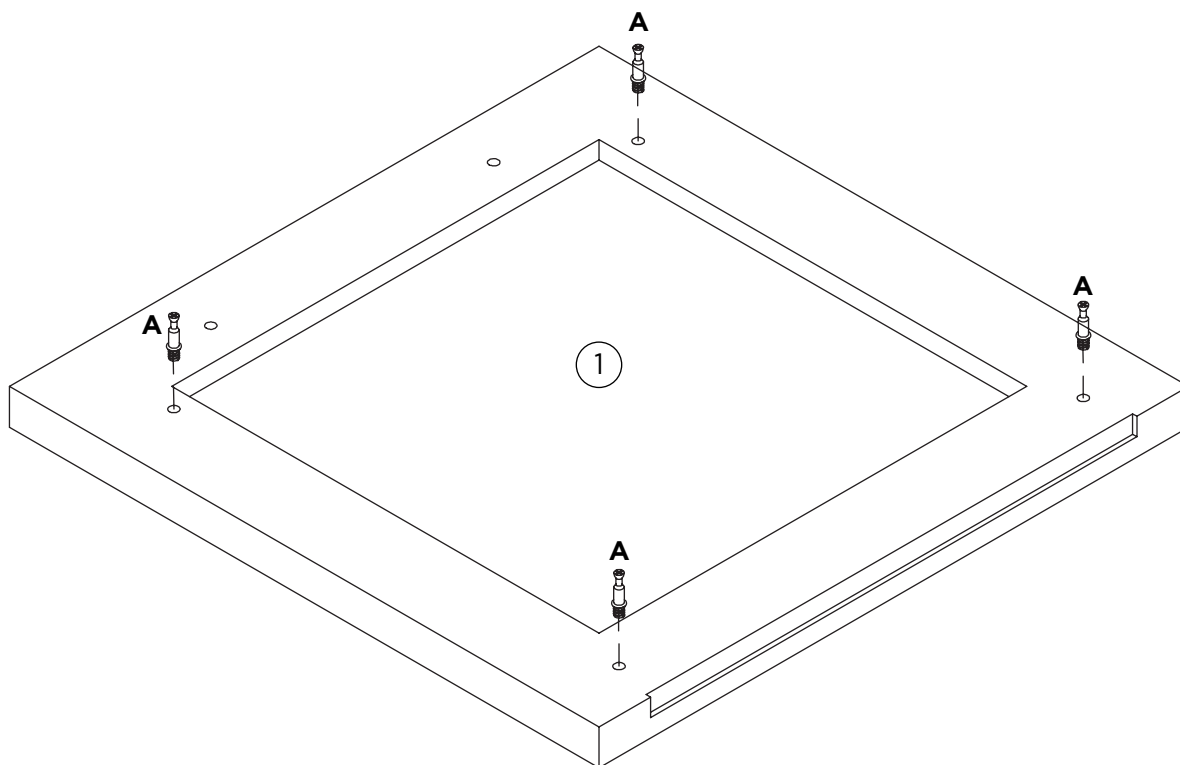
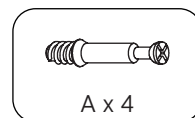
Insert quickfit screws (A) to parts 7 and 8, as shown.



ASSEMBLY INSTRUCTIONS

STEP 2

Insert quickfit screws (A) to part 1, as shown.



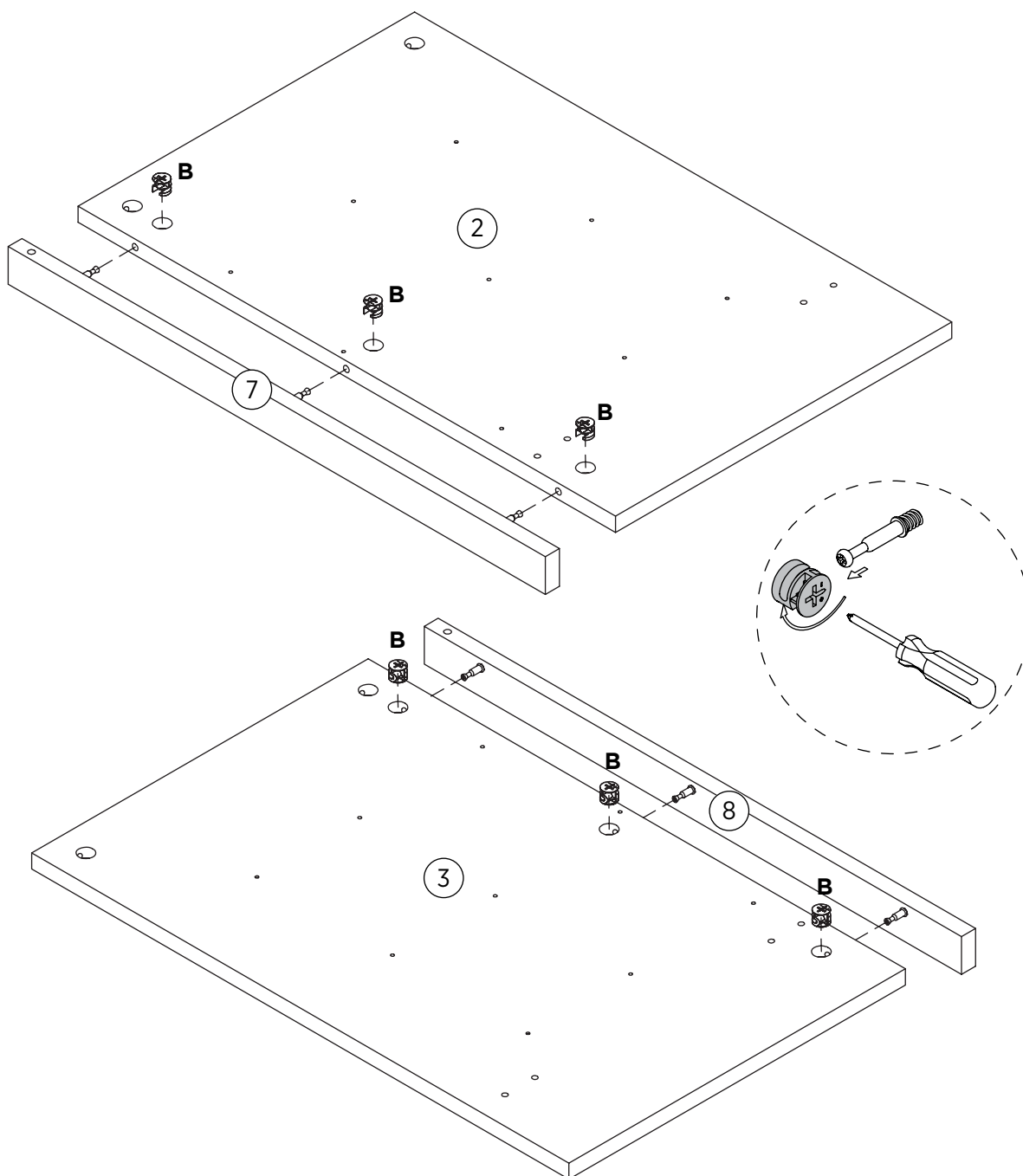
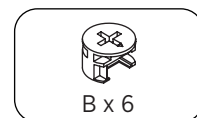
ASSEMBLY INSTRUCTIONS

STEP 3

Insert cam locks (B) to parts 2 and 3.

Fix parts 7 and 8 to parts 2 and 3, as shown.

Turn cam locks clockwise to tighten.

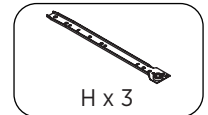
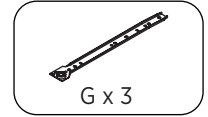
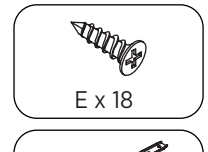


ASSEMBLY INSTRUCTIONS

STEP 4

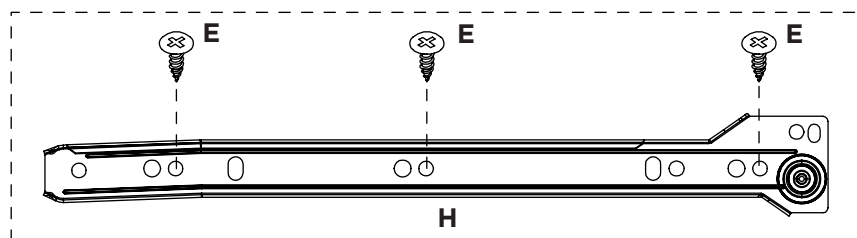
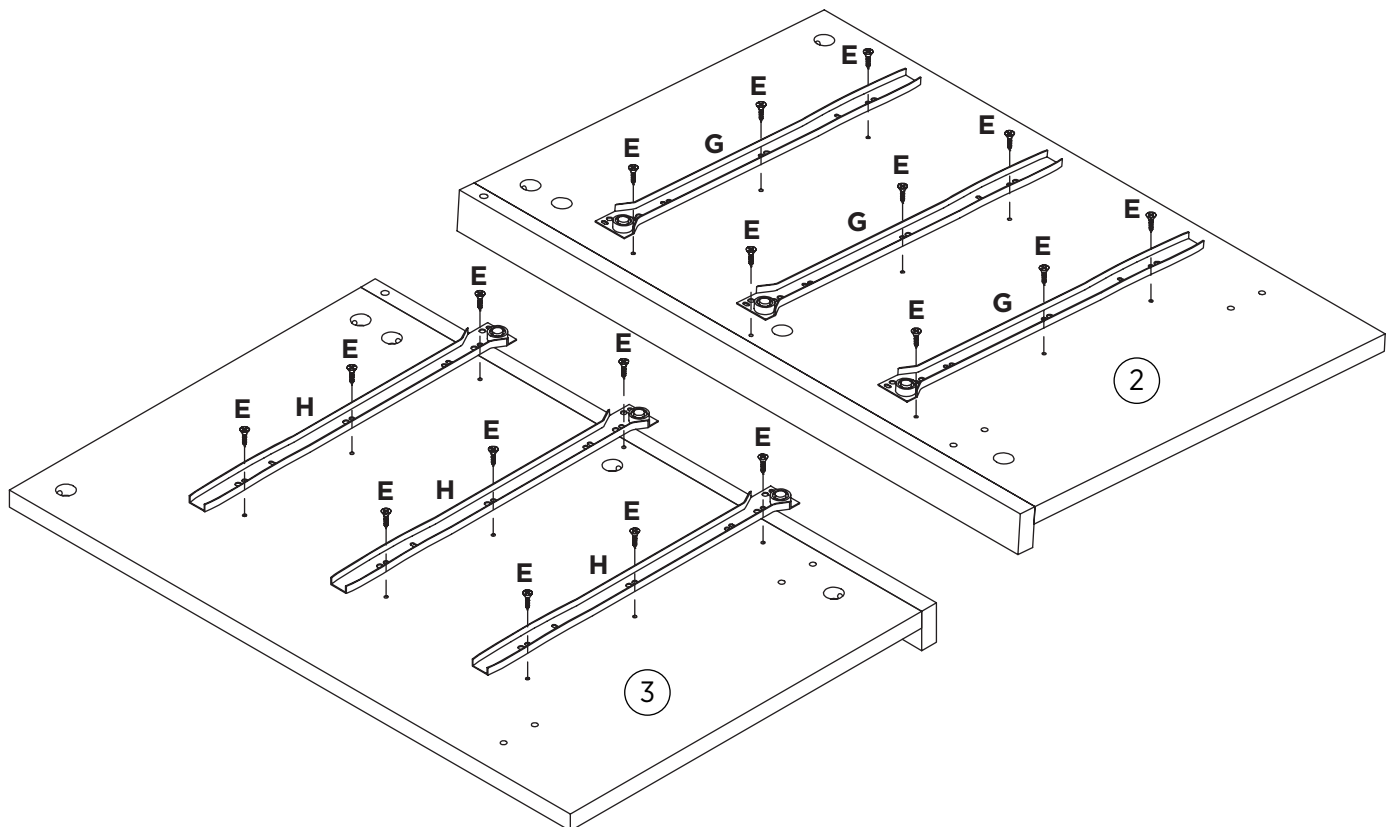
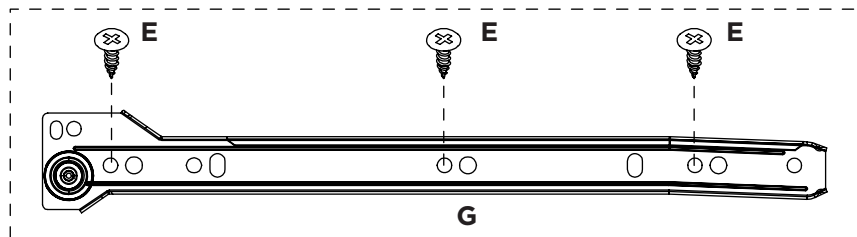
Fix right inner drawer runners (G) to part 2 using screws (E).

Fix left inner drawer runners (H) to part 3 using screws (E), as shown.



WARNING

The most common cause of drawers being misaligned is at the drawer assembly and runner installation stage. Please ensure all instructions and screw hole positions are followed as indicated to avoid misaligned drawers.

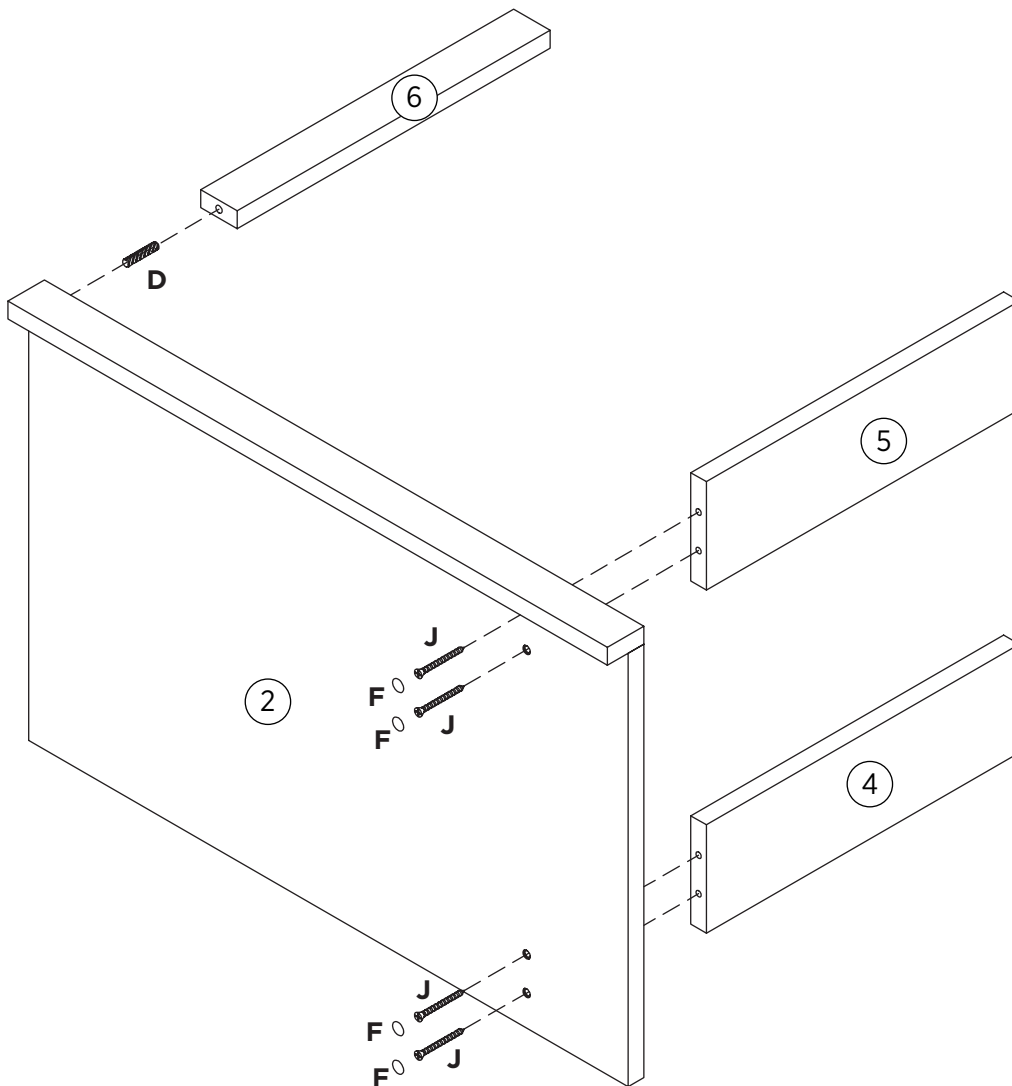
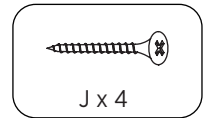
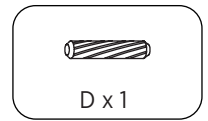


ASSEMBLY INSTRUCTIONS

STEP 5

Insert wooden dowel (D) to part 6 and attach part 2 to parts 4 and 5 using screws (J).

Stick cap stickers (F) on screws (J), as shown.

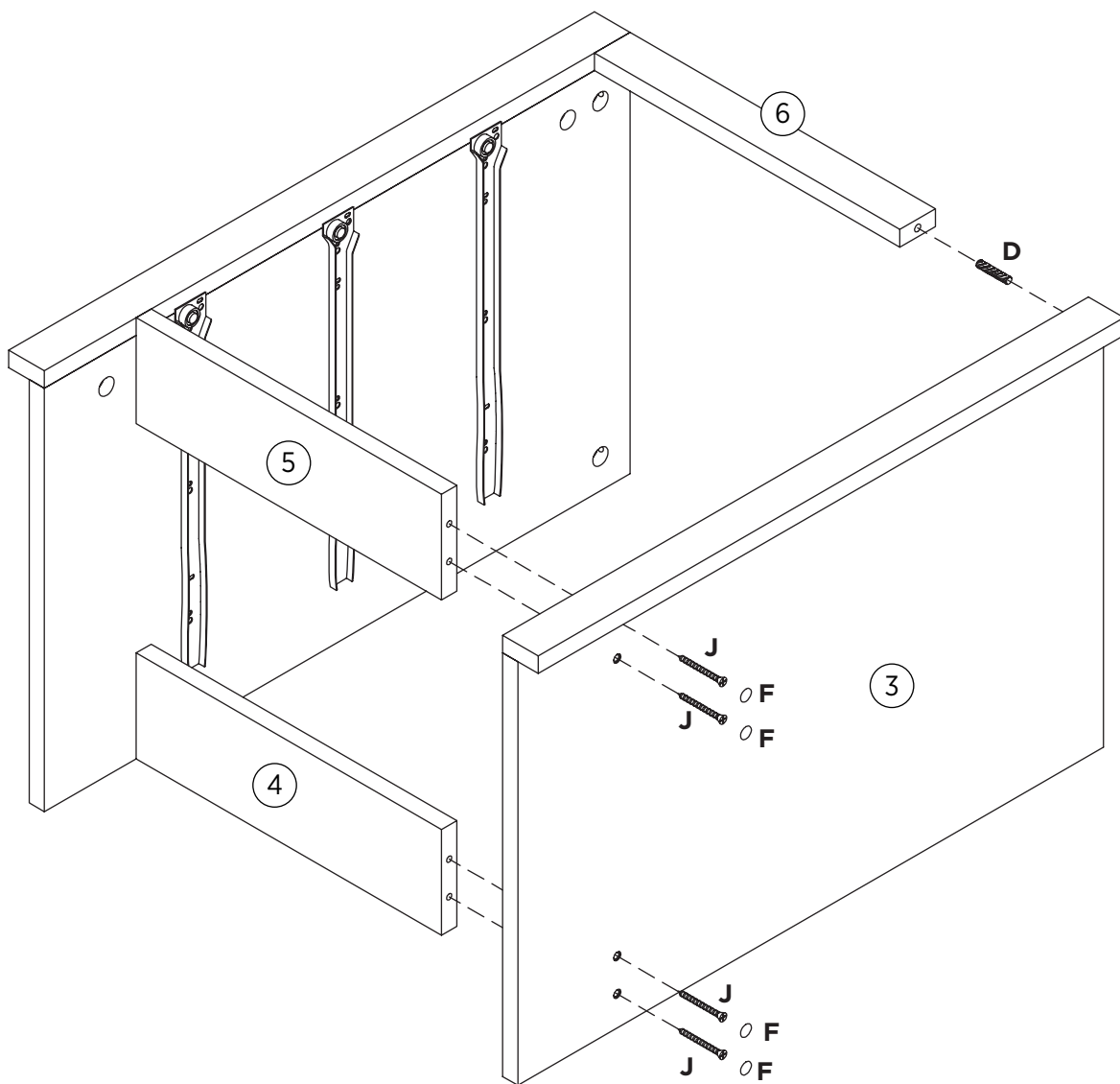
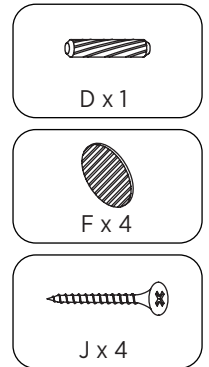


ASSEMBLY INSTRUCTIONS

STEP 6

Insert wooden dowel (D) to part 6 and attach part 3 to parts 4 and 5 using screws (J).

Stick cap stickers (F) on screws (J), as shown.



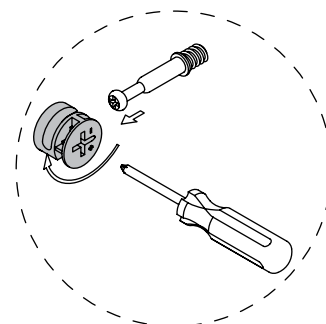
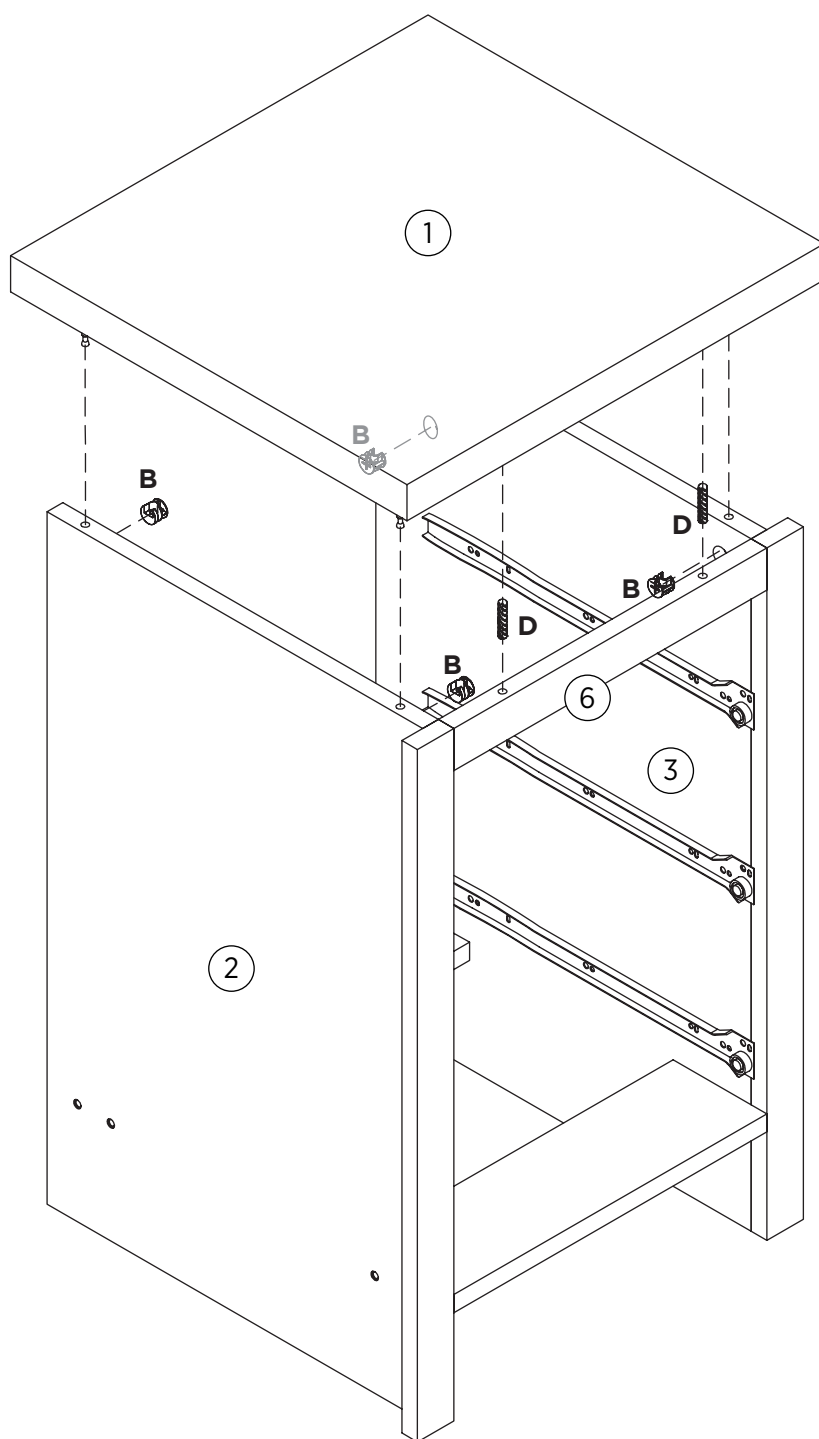
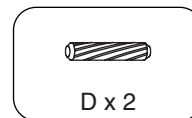
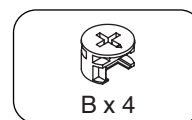
ASSEMBLY INSTRUCTIONS

STEP 7

Insert wooden dowels (D) to part 6.

Fix part 1 into parts 2, 3 and 6. Insert cam locks (B) to parts 2 and 3, as shown.

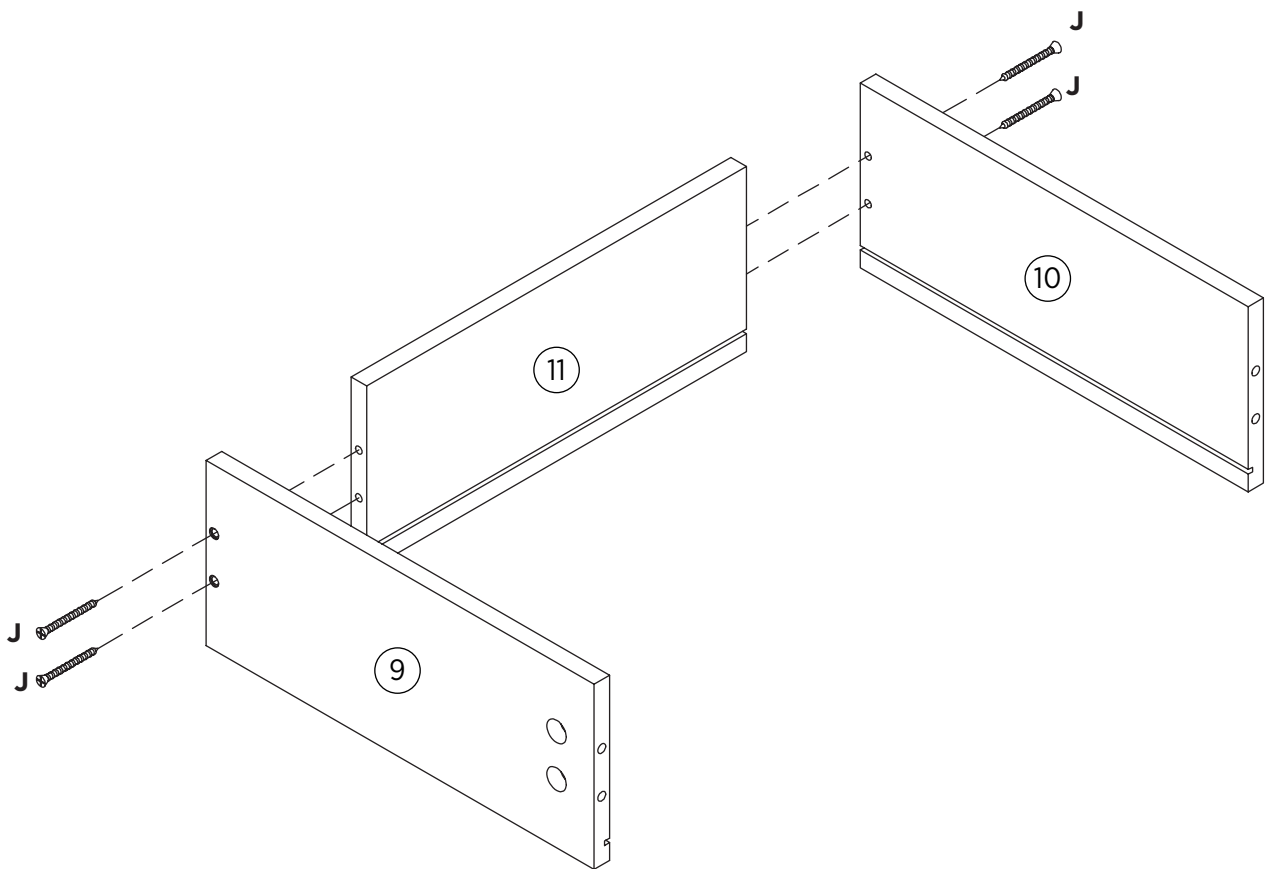
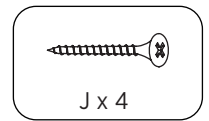
Turn cam locks clockwise to tighten.



ASSEMBLY INSTRUCTIONS

STEP 8

Fix parts 9 and 10 to part 11 using screws (J), as shown.

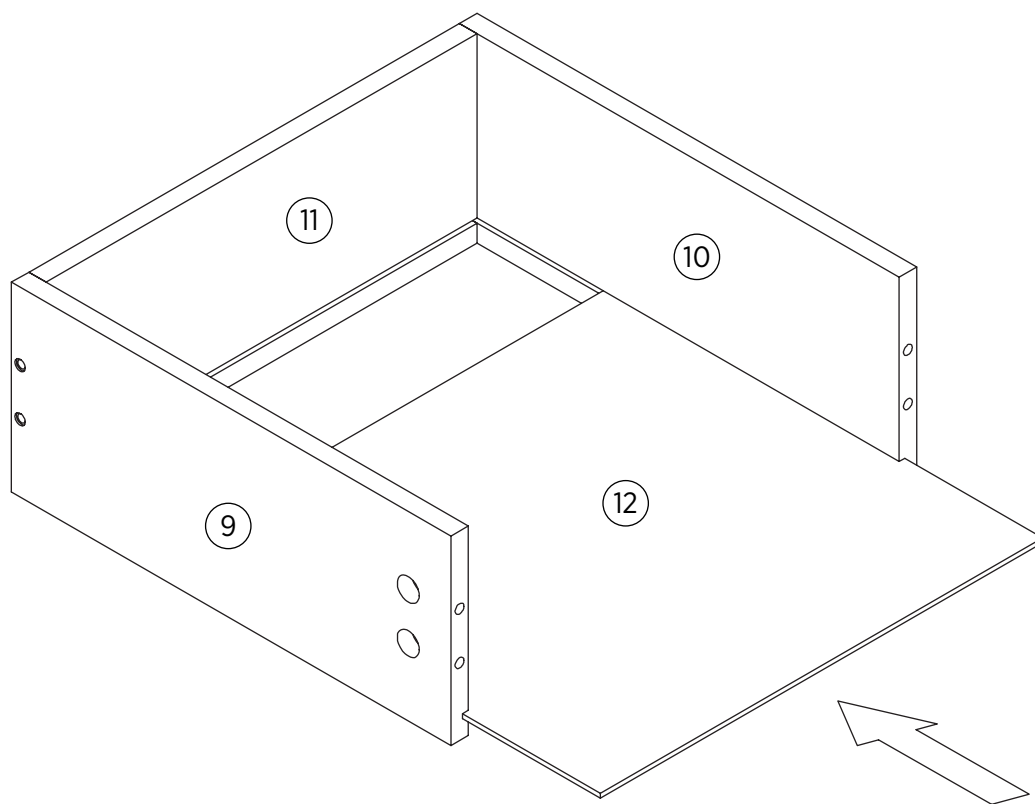


x3

ASSEMBLY INSTRUCTIONS

STEP 9

Insert part 12 into grooves of parts 9, 10 and 11, as shown.

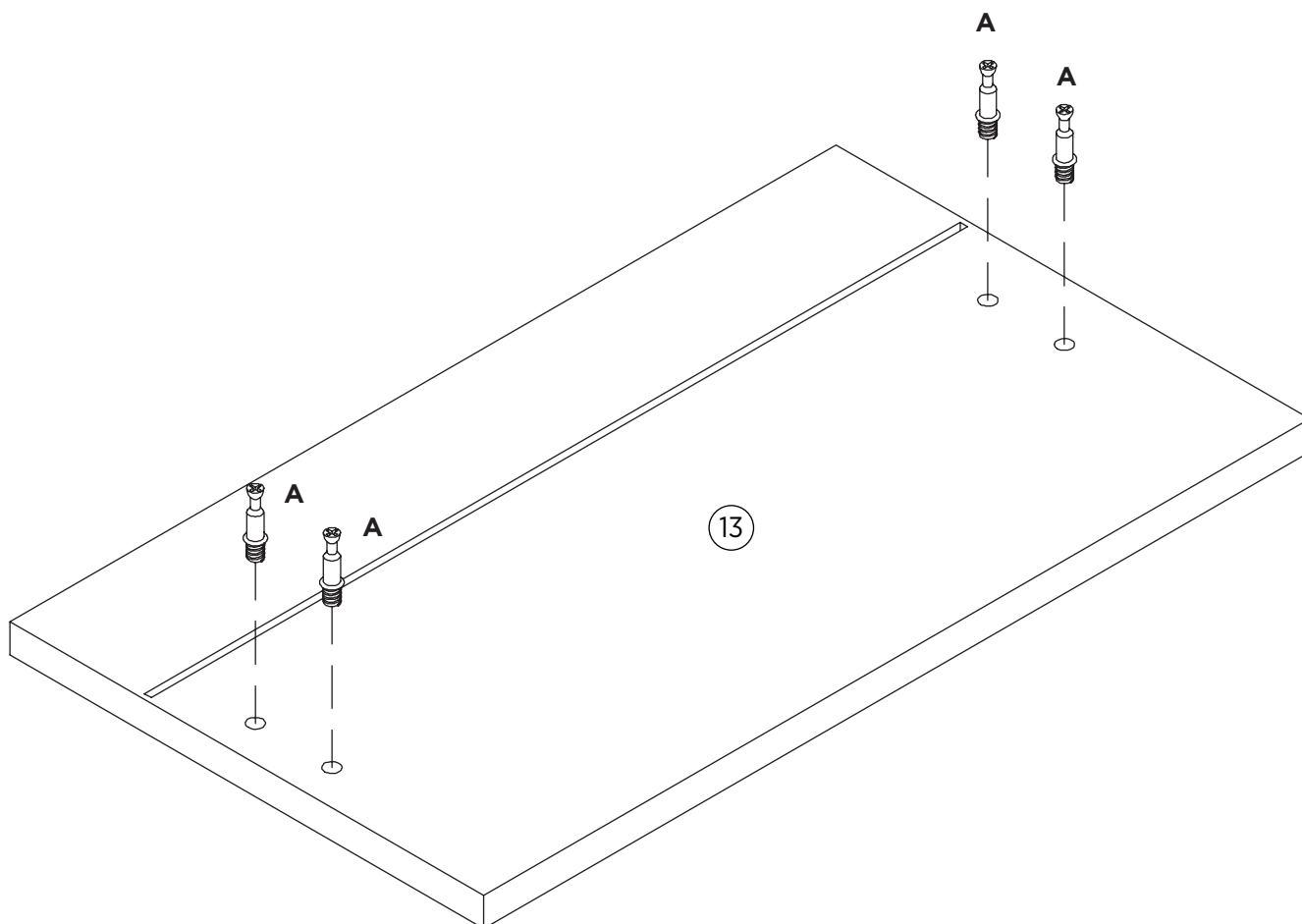
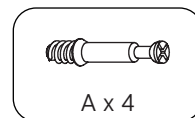


x3

ASSEMBLY INSTRUCTIONS

STEP 10

Insert quickfit screws (A) to part 13, as shown.



x3

ASSEMBLY INSTRUCTIONS

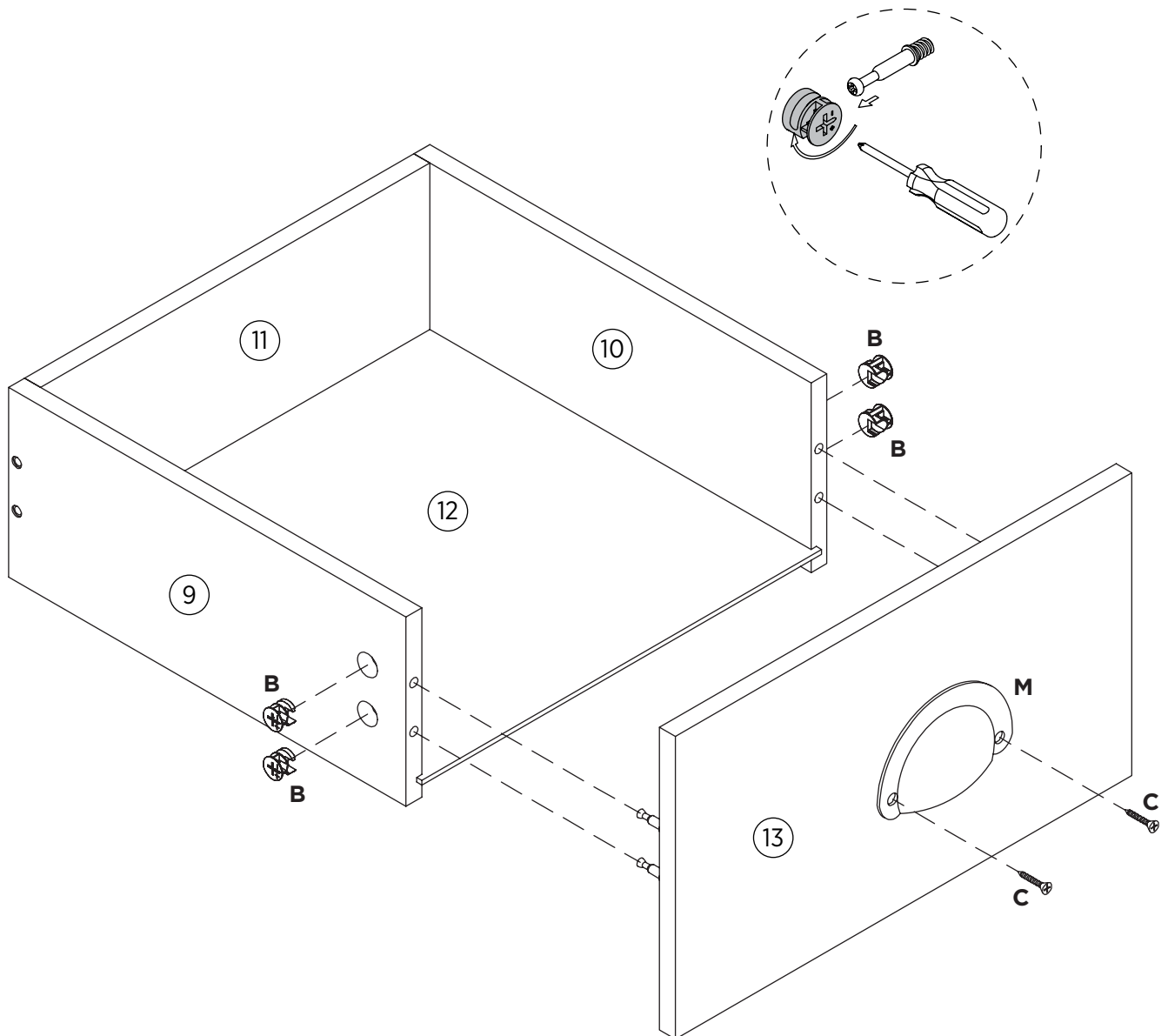
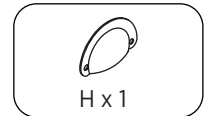
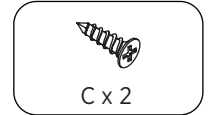
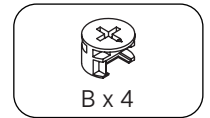
STEP 11

Fix handle (M) to part 13 using screws (C).

Insert cam locks (B) to parts 9 and 10.

Fix part 13 to parts 9 and 10, as shown.

Turn cam locks clockwise to tighten.



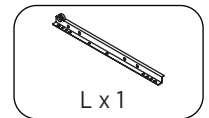
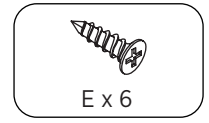
x3

ASSEMBLY INSTRUCTIONS

STEP 12

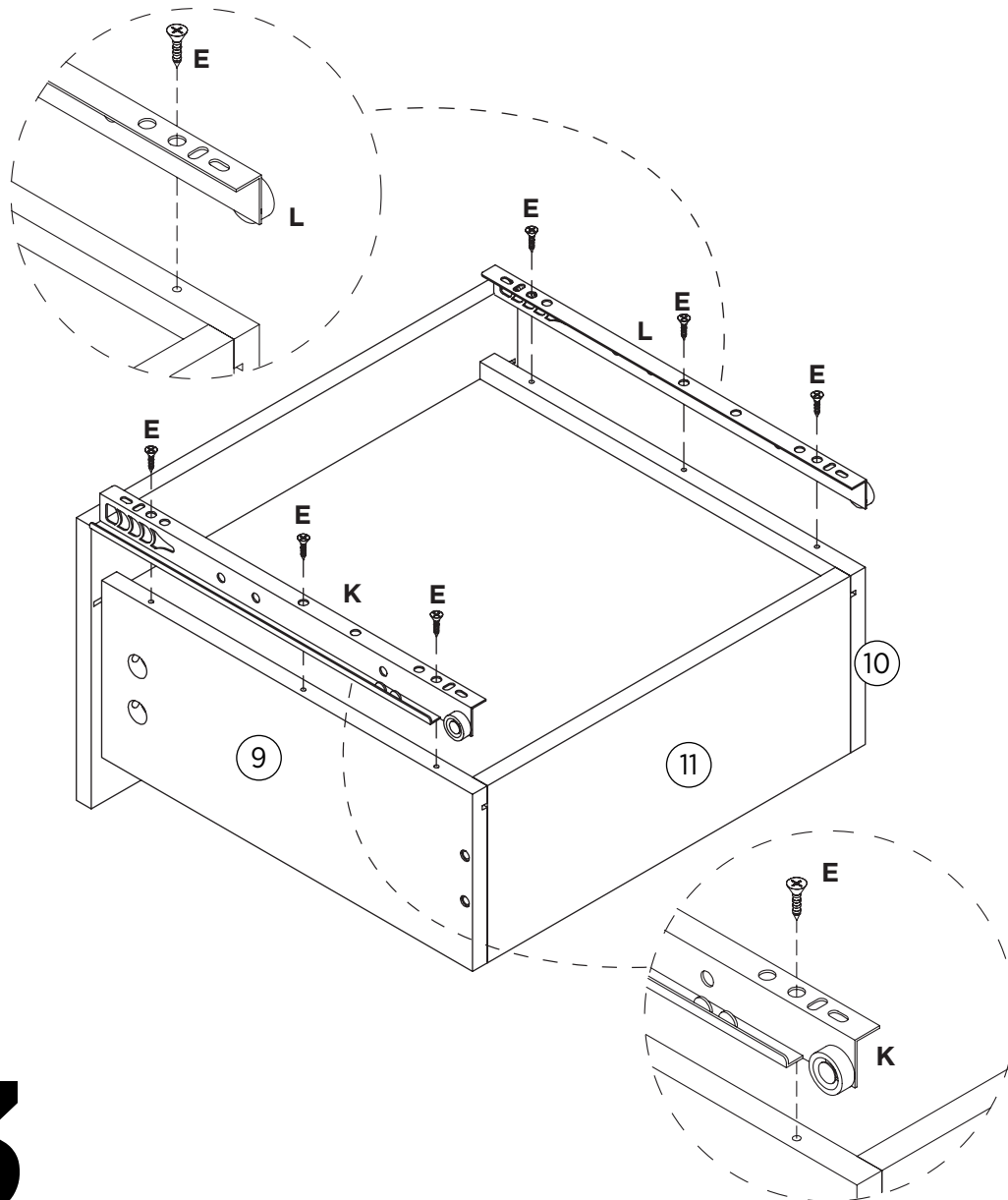
Fix right outer drawer runner (K) to part 9 using screws (E).

Fix left outer drawer runner (L) to part 10 using screws (E), as shown.



WARNING

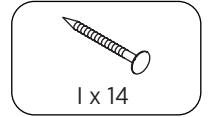
The most common cause of drawers being misaligned is at the drawer assembly and runner installation stage. Please ensure all instructions and screw hole positions are followed as indicated to avoid misaligned drawers.



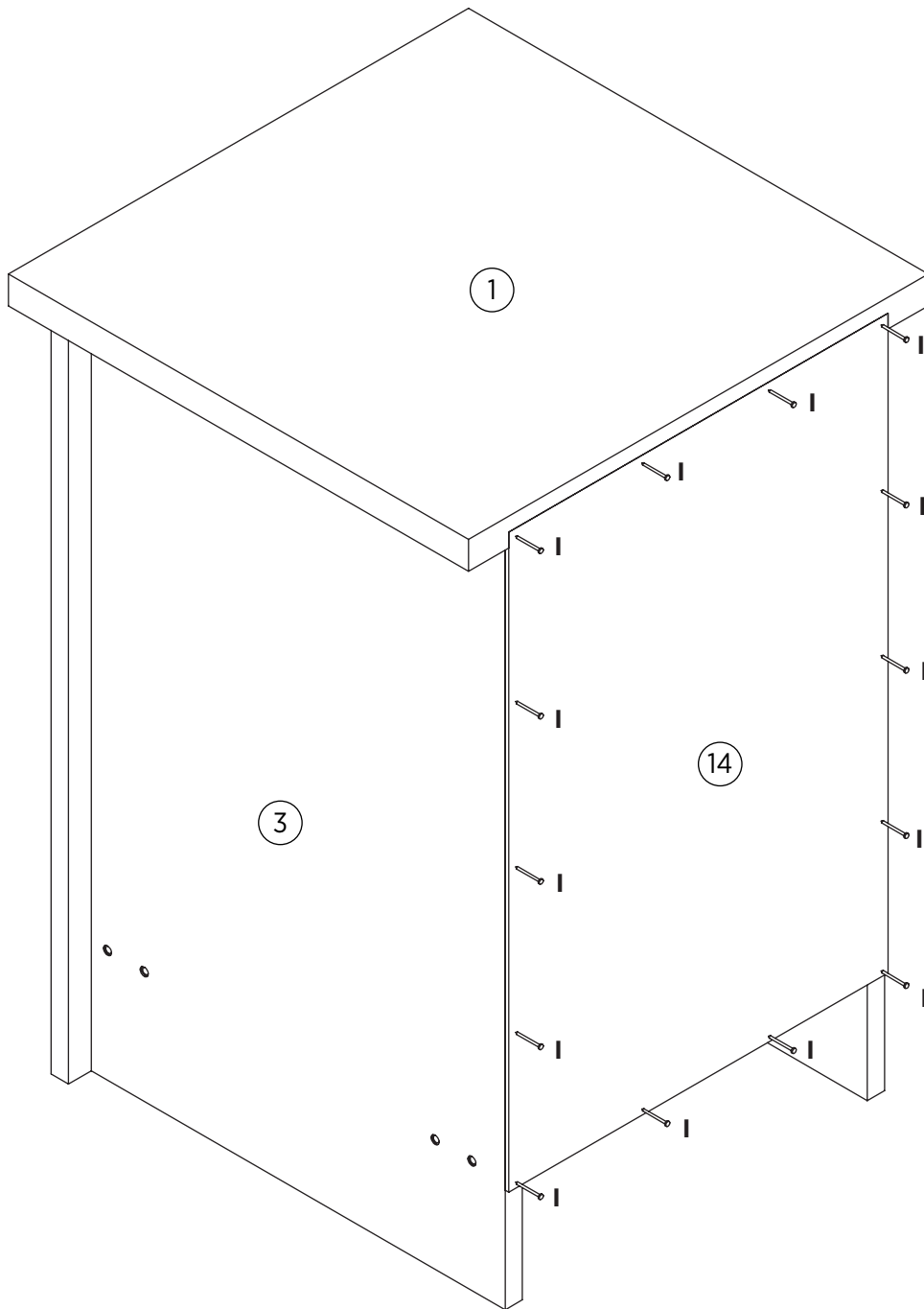
x3

ASSEMBLY INSTRUCTIONS

STEP 13



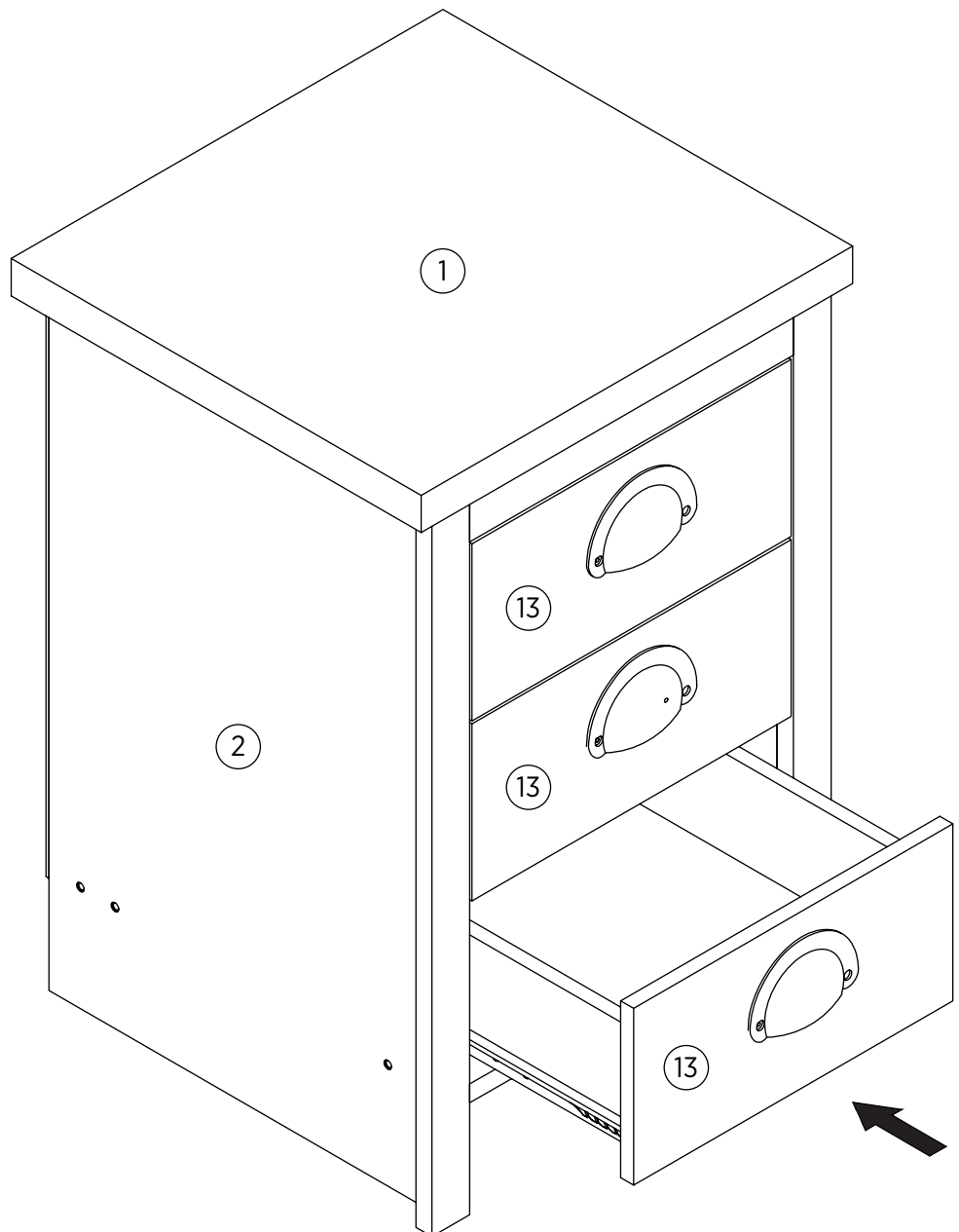
Fix part 14 to assembled unit using nails (I), as shown.



ASSEMBLY INSTRUCTIONS

STEP 14

Fit drawers to assembled unit, as shown.



⚠ WARNING



Children have died from furniture tipover.

- ALWAYS secure this furniture with an anchor device.
- NEVER allow children to stand, climb or hang on drawers, doors, or shelves.
- NEVER open more than one drawer at a time.
- Place heavy items down low.

NEVER put a TV on this furniture 

Please note: the maximum recommended weight is 10kg for top and 5kg per drawer.

Your Bedside Table is ready for use.