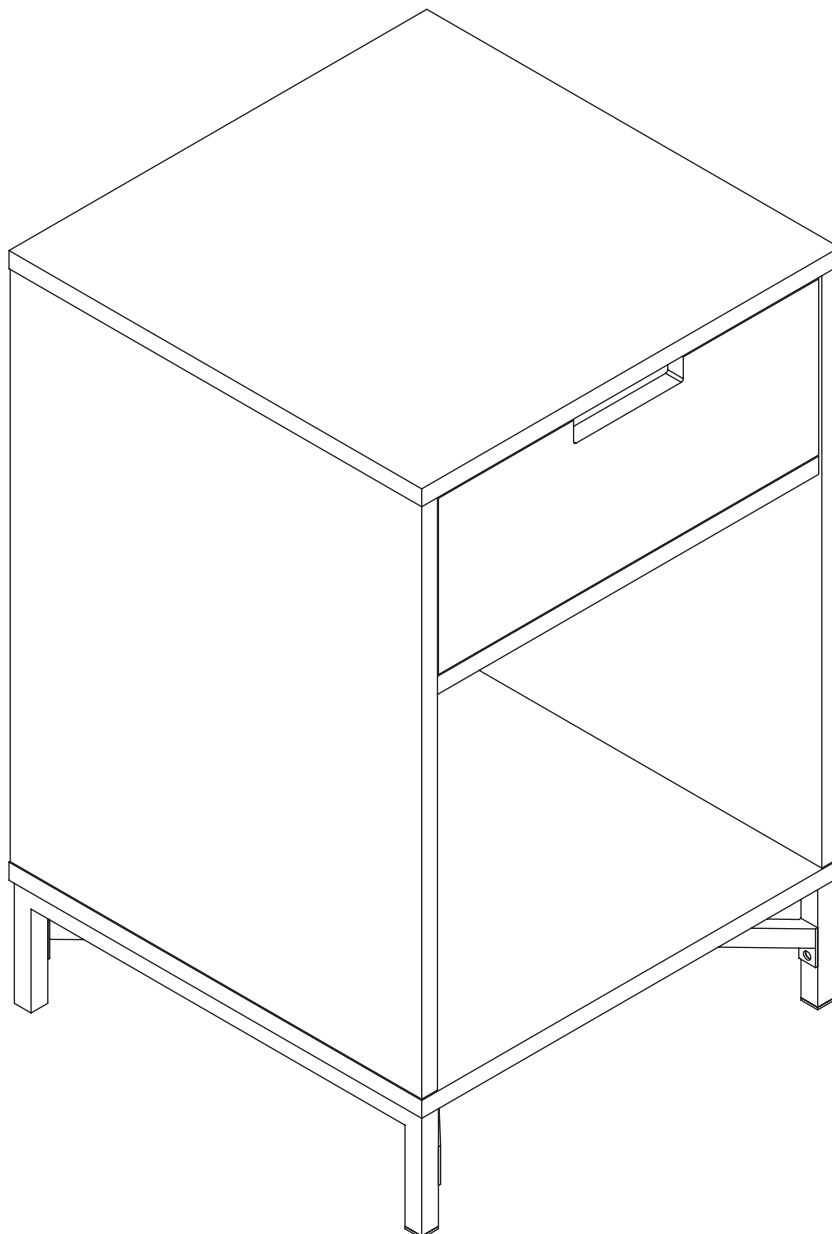




# BEDSIDE 1 DRAWER

## ASSEMBLY INSTRUCTIONS



# TIPS BEFORE YOU START

---

1. Please check that all parts are present before you start the assembly of your furniture.
2. For ease and speed of assembly, we recommend that before you commence each step of the assembly, that you identify all the parts required for that step.
3. For larger items, please ensure that you have sufficient space and people to assemble your product safely.
4. We recommend that, where possible, all items are assembled near to the area in which they will be placed in use, to avoid moving the product unnecessarily once assembled.
5. For the protection of your furniture, we recommend that the product is placed on a protected surface during assembly to prevent any damage.
6. During assembly please take care not to over-tighten any fittings, as this may damage the product. Do not use power tools.
7. Always place the product on a flat, steady and stable surface.
8. Do not stand on the product. Do not use the product as a stepladder.
9. This product is intended for indoor, household use only as it is a non-industrial product.
10. Please use caution and care when lifting the product to avoid personal injury and/or product damage.

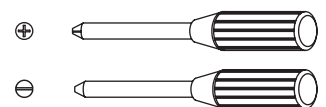
## CARE AND MAINTENANCE OF YOUR FURNITURE

- Please periodically check all fittings and re-tighten as necessary.
- To clean your item, please use a damp cloth and wipe clean.
- To clean glass, please use glass cleaner.
- Never allow any kind of liquid to remain on your furniture. Absorption can cause wood to warp or finishes to de-laminate.
- Please do not place hot items (eg. hot drinks) directly on to the surface.
- Please do not drag and pull your furniture.



## ASSEMBLY REQUIREMENTS

- Equipment: phillips head screwdriver, flat head screwdriver
- 1 x adult required
- 1m x 1m assembly space required
- 1 hour assembly time approx.



# ANTI-TOPPLING WARNING

## CHILDREN HAVE DIED FROM FURNITURE TIPOVER.

- **ALWAYS** secure this furniture with an anchor device
- **NEVER** allow children to stand, climb or hang on drawers, doors or shelves
- **NEVER** open more than one drawer at a time
- **NEVER** put a TV on this furniture
- Place heavy items down low

**For more information, visit <https://www.productsafety.gov.au>**

**! WARNING**



**Children have died from furniture tipover.**

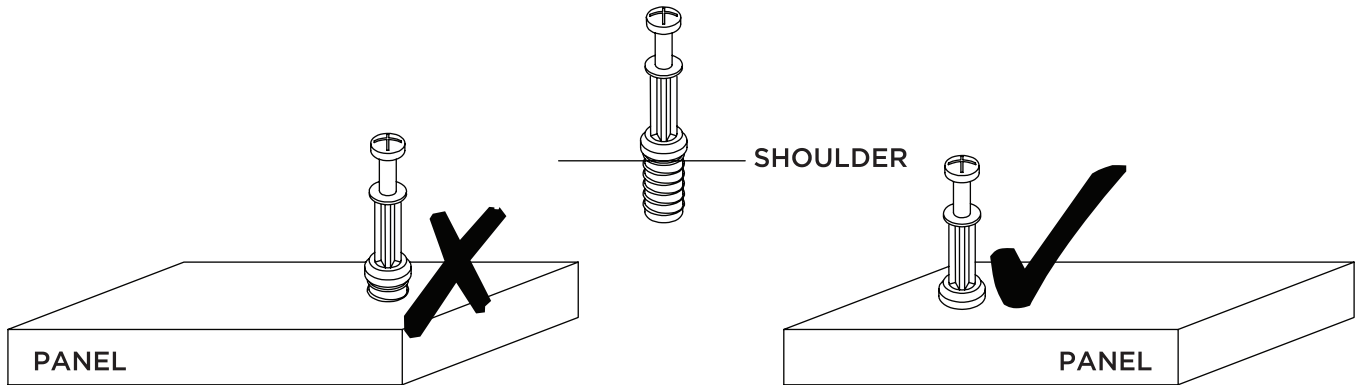
- ALWAYS secure this furniture with an anchor device.
- NEVER allow children to stand, climb or hang on drawers, doors, or shelves.
- NEVER open more than one drawer at a time.
- Place heavy items down low.

**NEVER put a TV on this furniture** 

# USING CAM LOCK AND QUICKFIT

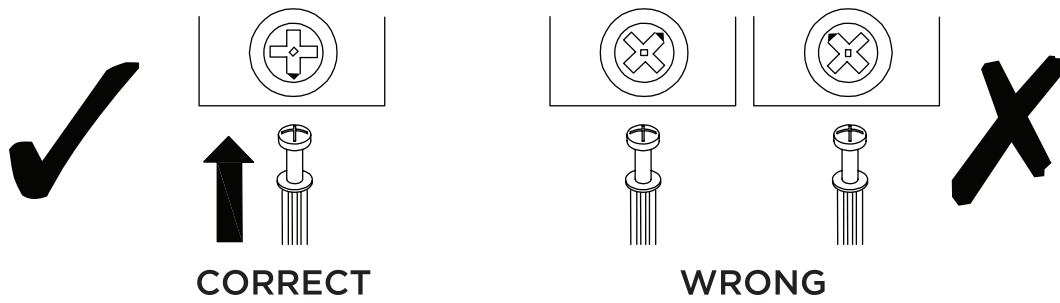
## QUICKFIT

Tighten quickfit until shoulder is flush with panel. Do not overtighten or undertighten.



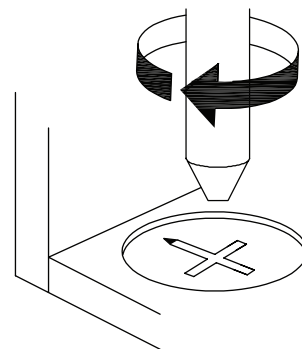
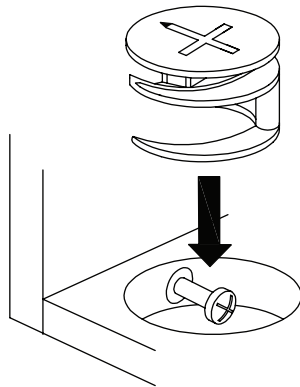
## CAM LOCK

When fitting cam lock, ensure starting position is correct before you insert connecting quickfit.



Quickfit head should be in the centre of the cam lock when the two panels are joined.  
Cam lock should be inserted before quickfit.

Turn cam lock clockwise to tighten.

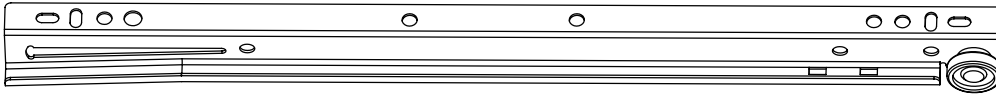


# DRAWER SLIDE GUIDE

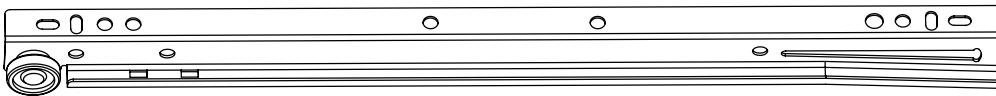
---

Your pack will contain two sets of Metal Drawer Slides. These are bundled together with adhesive tape. The set comprises of 4 components. Undo the tape on one set at a time and separate the parts.

**Inner Drawer Runner Left (J)**

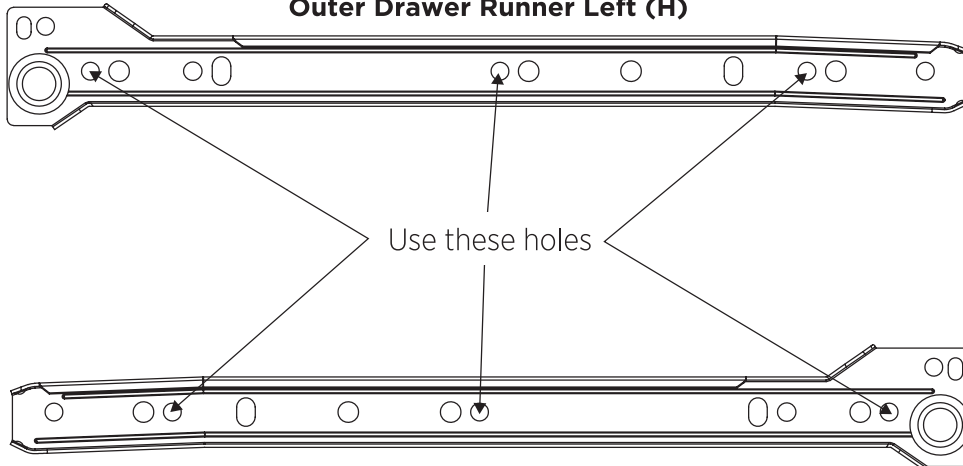


**Inner Drawer Runner Right (K)**



The Drawer Slide components shown above are attached to the **drawers**. They have the letters **DL** or **DR** stamped on them to indicate left hand or right hand components. Put these parts aside for attaching to the drawer later.

**Outer Drawer Runner Left (H)**

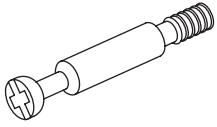


**Outer Drawer Runner Right (G)**

The Drawer Slide components shown above are attached to the **cabinet**. They have the letters **CL** or **CR** stamped on them to indicate left hand or right hand components. You will need these for step 4, 5 and 6.

# HARDWARE LIST

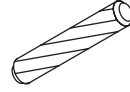
---



12 x A  
Quickfit Screw



12 x B  
Cam Lock



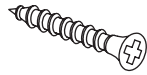
12 x C  
Wooden Dowel



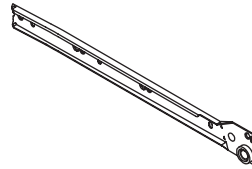
4 x D  
Bolt



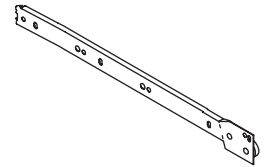
1 x E  
Allen Key



4 x F  
Screw



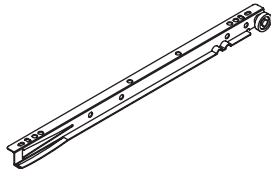
1 x G  
Outer Drawer Runner



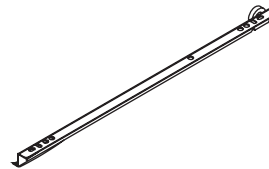
1 x H  
Outer Drawer Runner



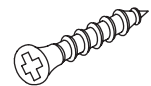
12 x I  
Screw



1 x J  
Inner Drawer Runner



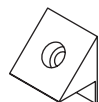
1 x K  
Inner Drawer qRunner



4 x L  
Screw



6 x M  
Screw



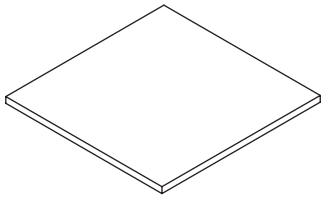
4 x N  
Wedge



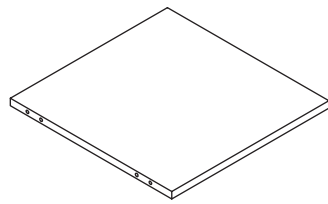
4 x O  
Screw

# PARTS LIST

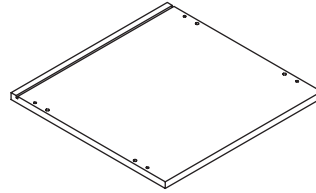
---



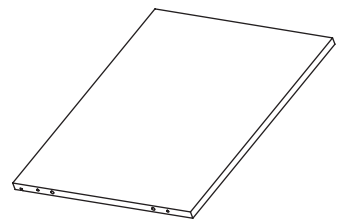
**1**  
1 PC



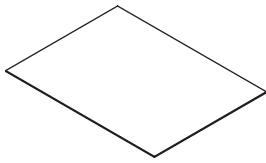
**2**  
1 PC



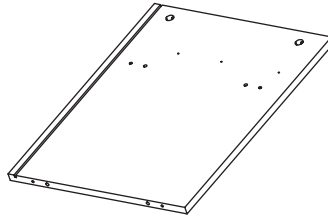
**3**  
1 PC



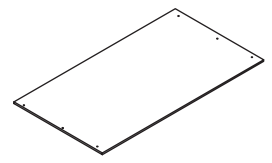
**4**  
1 PC



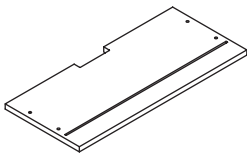
**5**  
1 PC



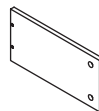
**6**  
1 PC



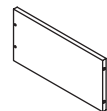
**7**  
1 PC



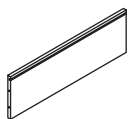
**8**  
1 PC



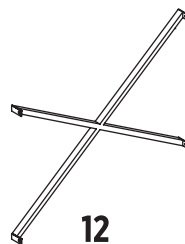
**9**  
1 PC



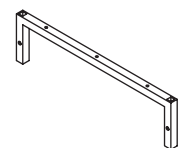
**10**  
1 PC



**11**  
1 PC



**12**  
1 PC

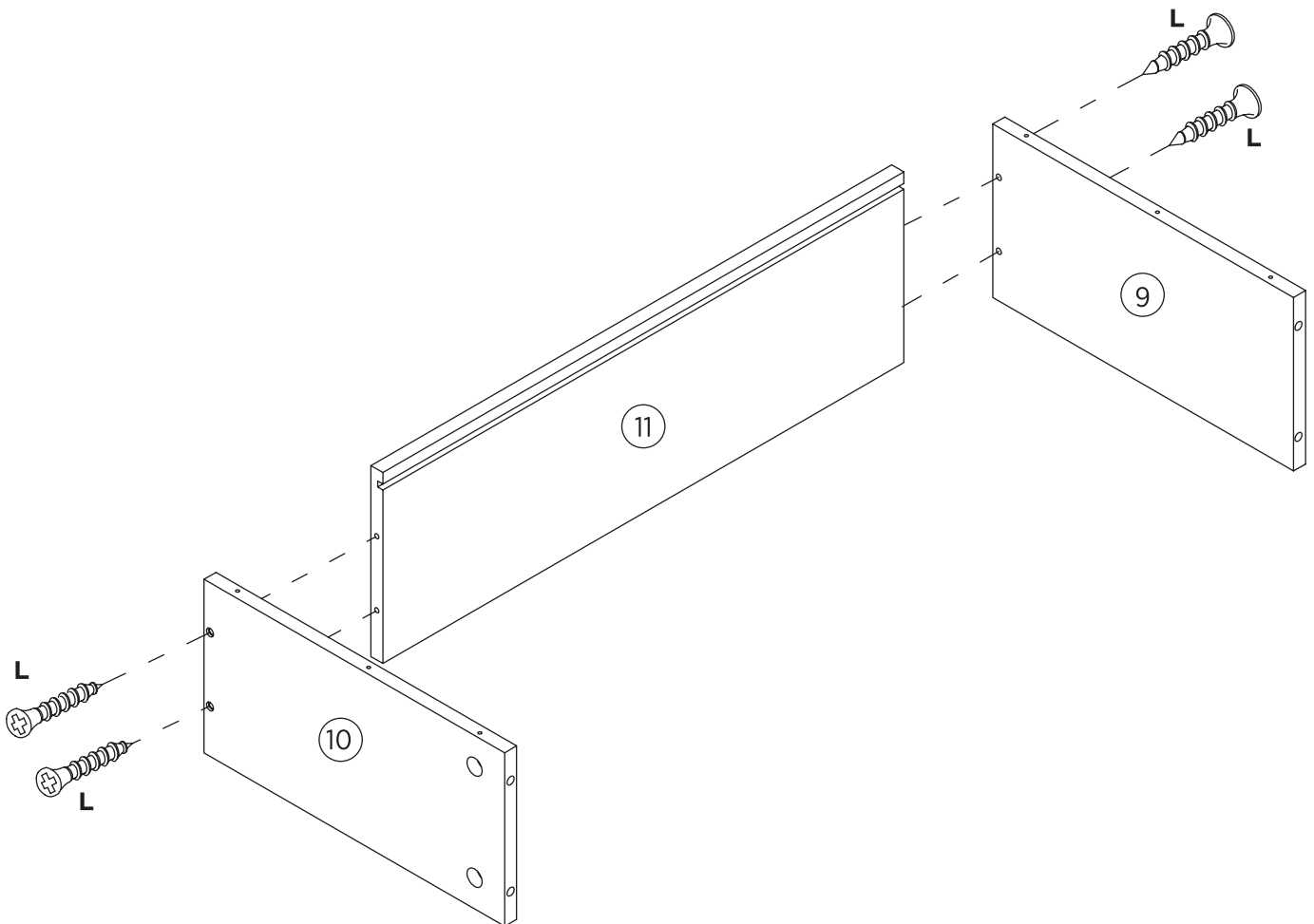
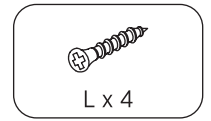


**13**  
2 PCS

# ASSEMBLY INSTRUCTIONS

## STEP 1

Fix parts 9 and 10 to part 11 using screws (L), as shown.

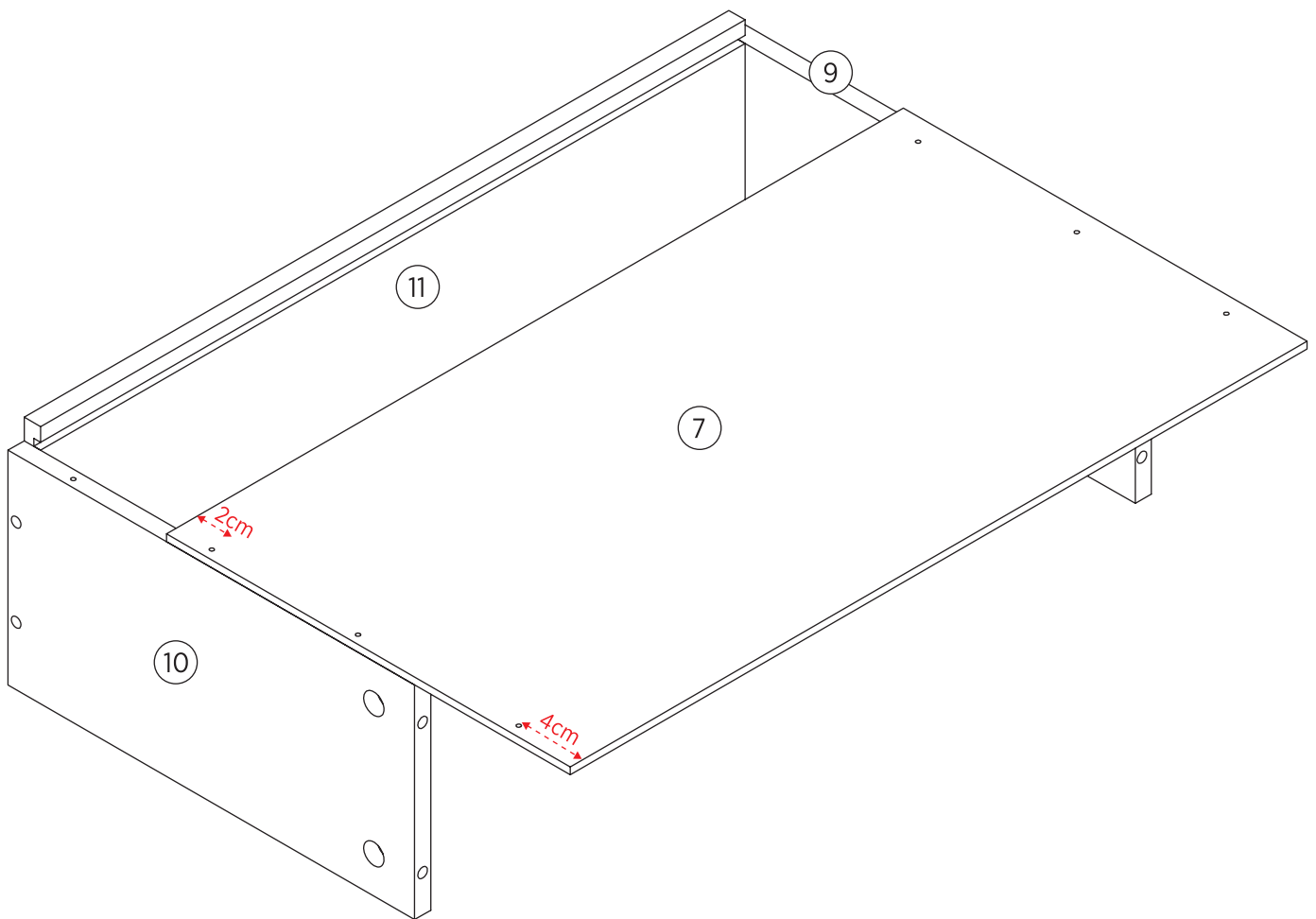


# ASSEMBLY INSTRUCTIONS

---

## STEP 2

Slide part 7 on top of parts 9, 10 and into grooves of part 11, as shown.



# ASSEMBLY INSTRUCTIONS

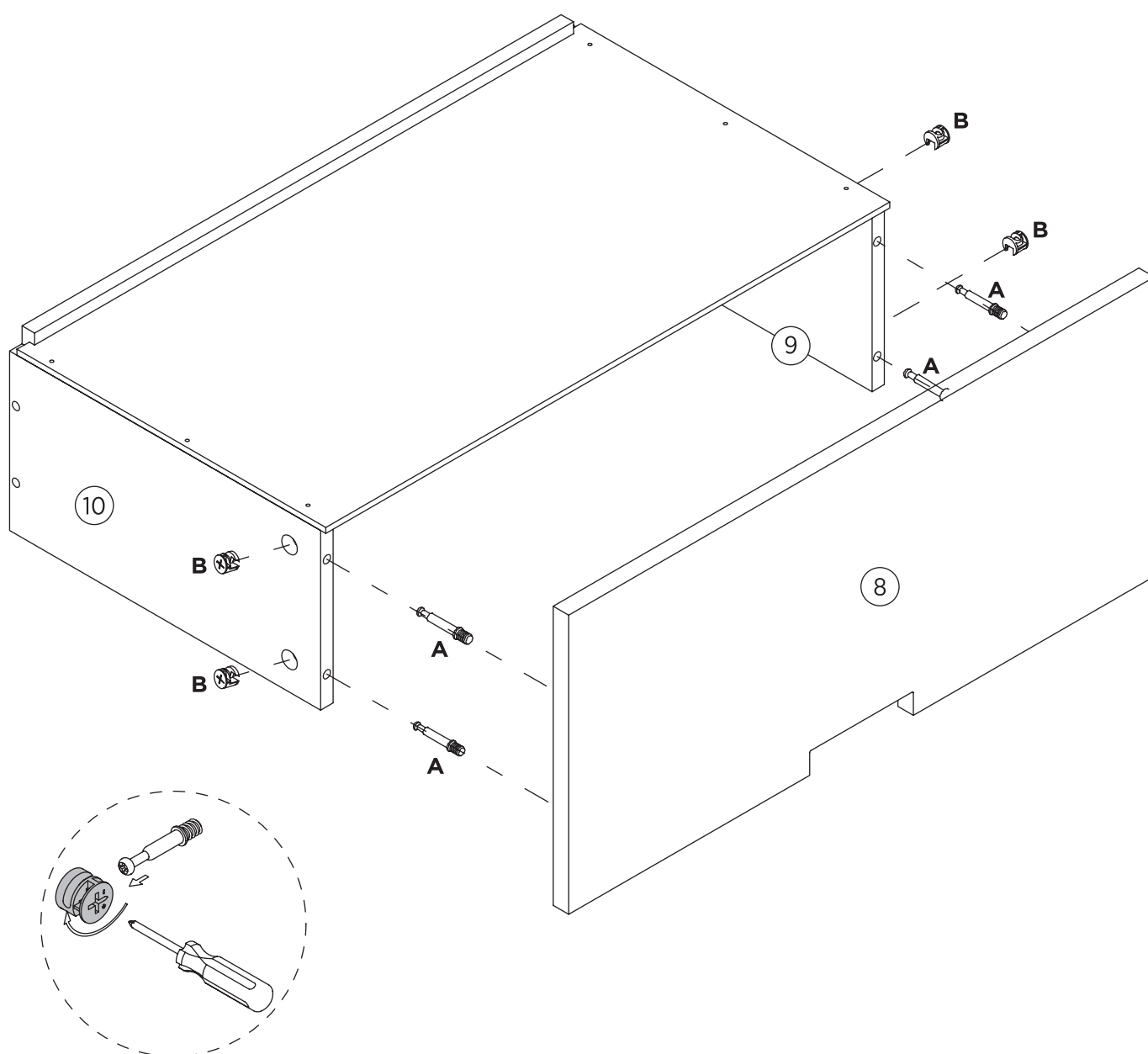
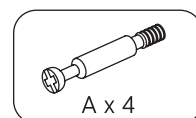
## STEP 3

Insert cam locks (B) to parts 9 and 10.

Insert quickfit screws (A) to part 8.

Fit part 8 to assembled drawer, as shown.

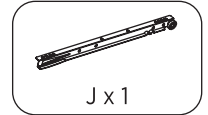
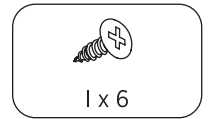
Turn cam locks clockwise to tighten.



# ASSEMBLY INSTRUCTIONS

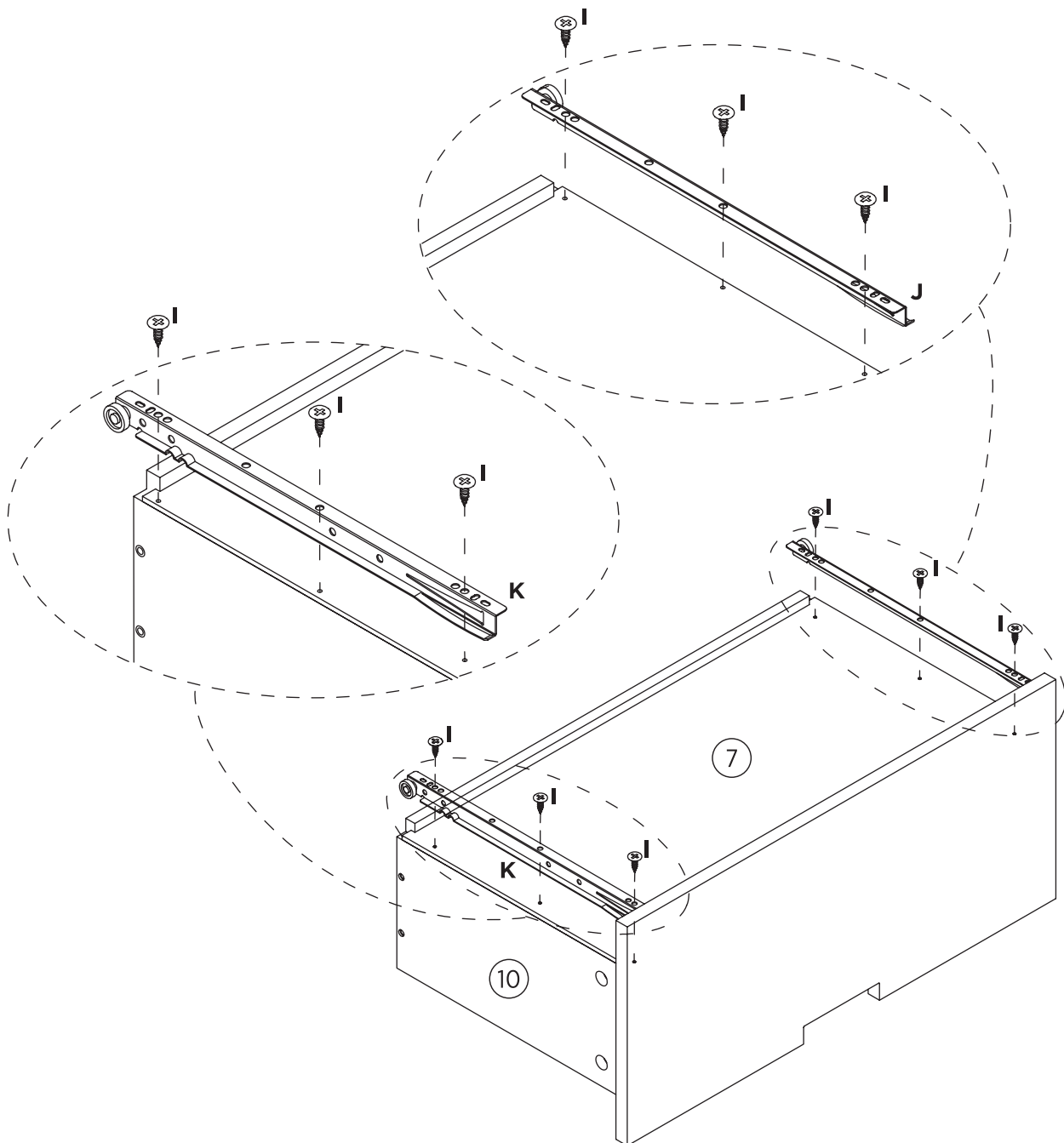
## STEP 4

Fix inner drawer runners (J) and (K) to underside of drawer using screws (I), as shown.



### WARNING

The most common cause of drawers being misaligned is at the drawer assembly and runner installation stage. Please ensure all instructions and screw hole positions are followed as indicated to avoid misaligned drawers.

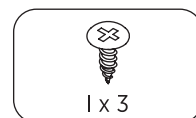
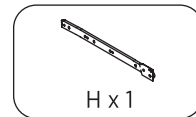
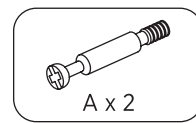


# ASSEMBLY INSTRUCTIONS

## STEP 5

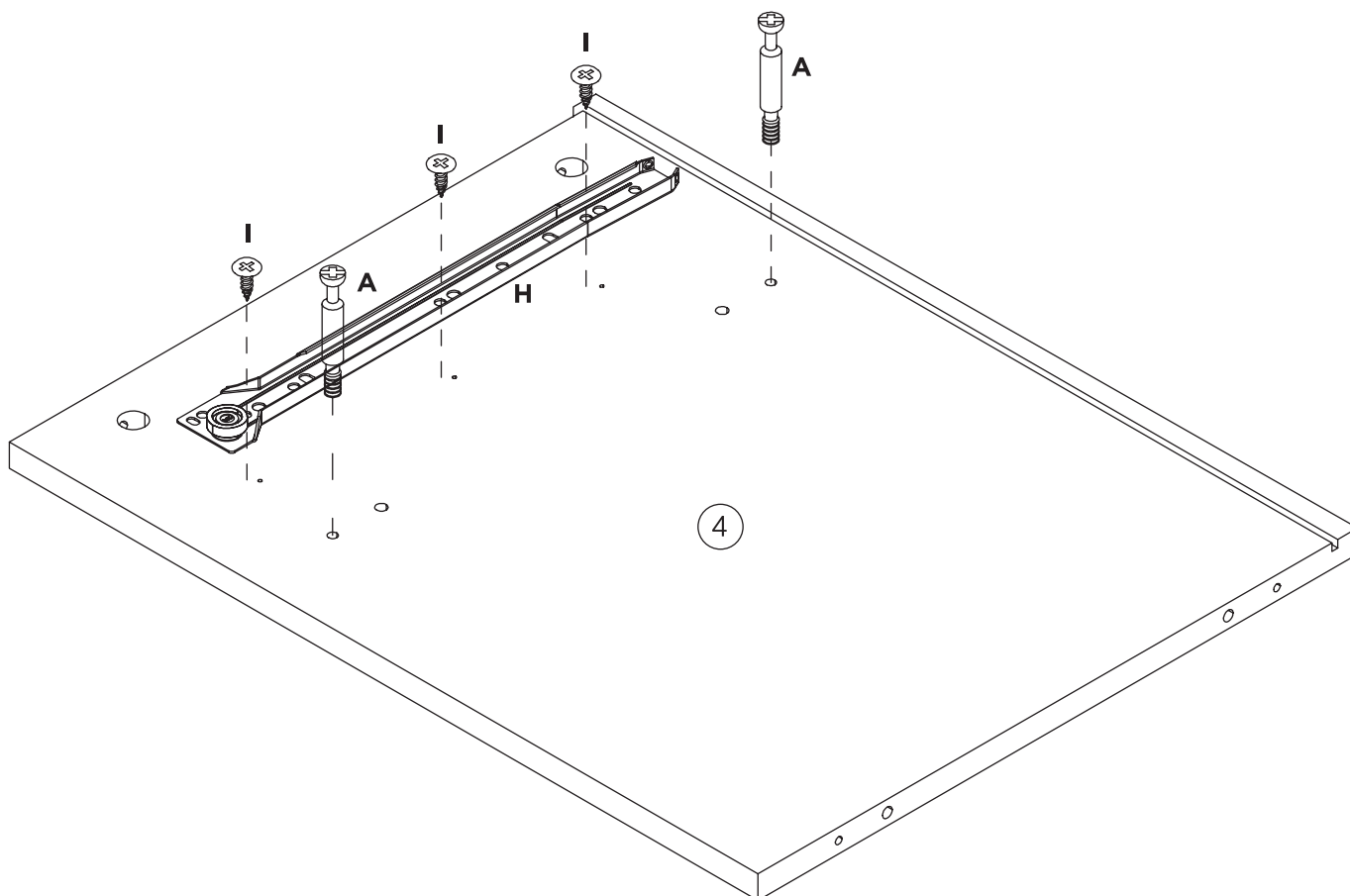
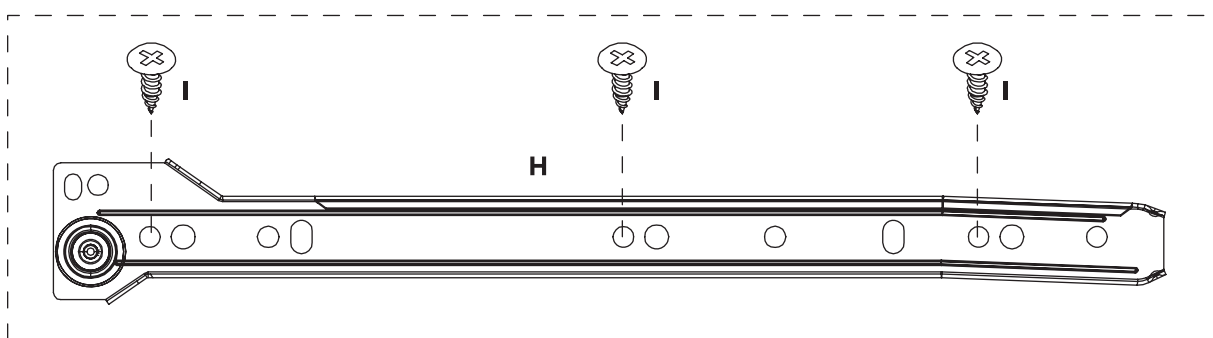
Fix outer drawer runners (H) to part 4 using screws (I).

Insert quickfit screws (A) to part 4, as shown.



### WARNING

The most common cause of drawers being misaligned is at the drawer assembly and runner installation stage. Please ensure all instructions and screw hole positions are followed as indicated to avoid misaligned drawers.

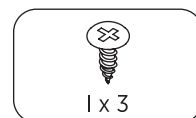
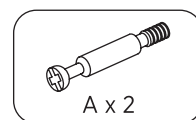


# ASSEMBLY INSTRUCTIONS

## STEP 6

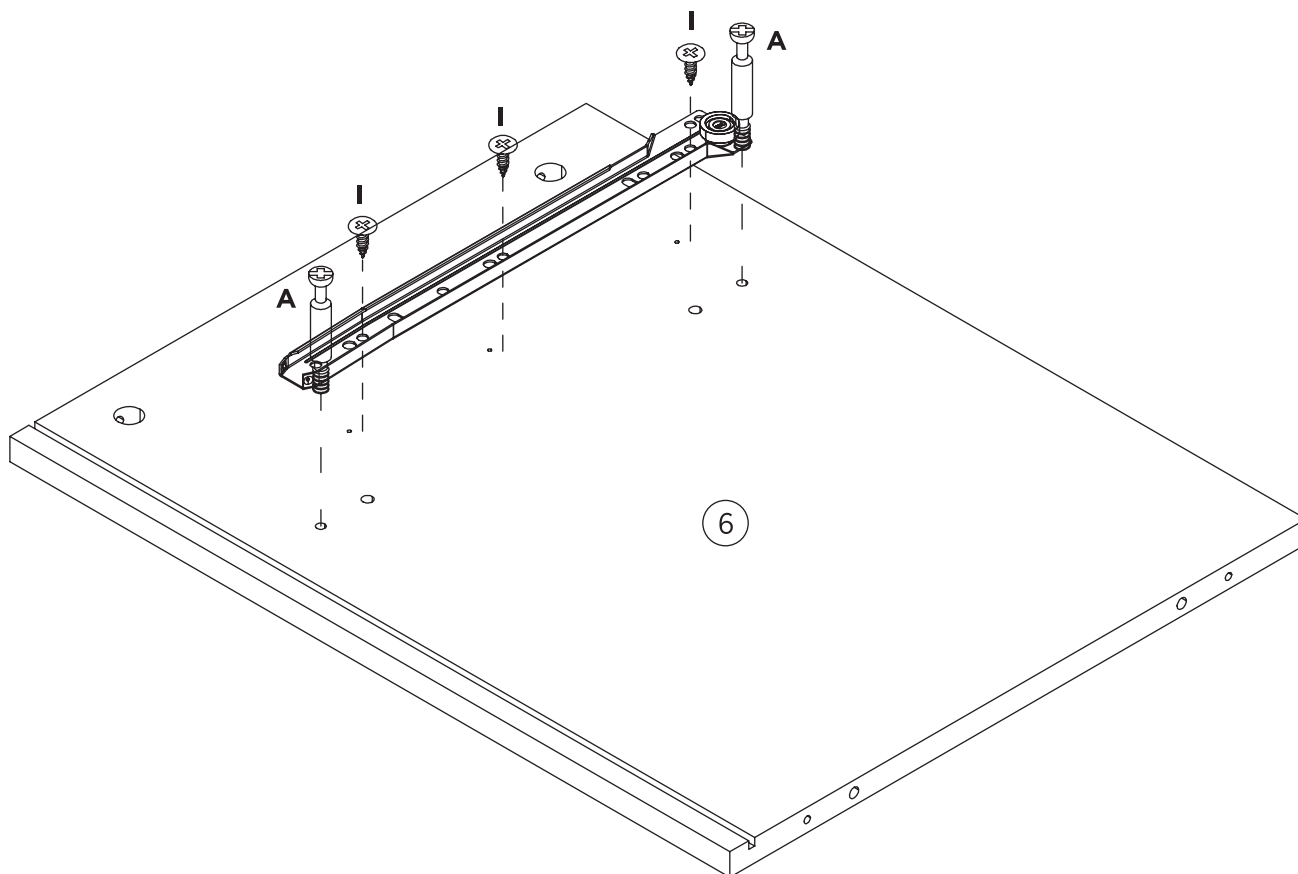
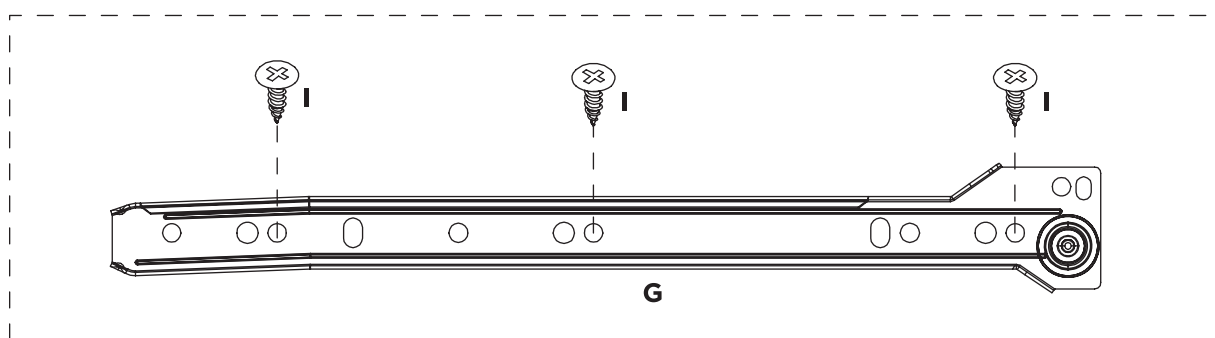
Fix outer drawer runners (G) to part 6 using screws (I).

Insert quickfit screws (A) to part 6, as shown.



### WARNING

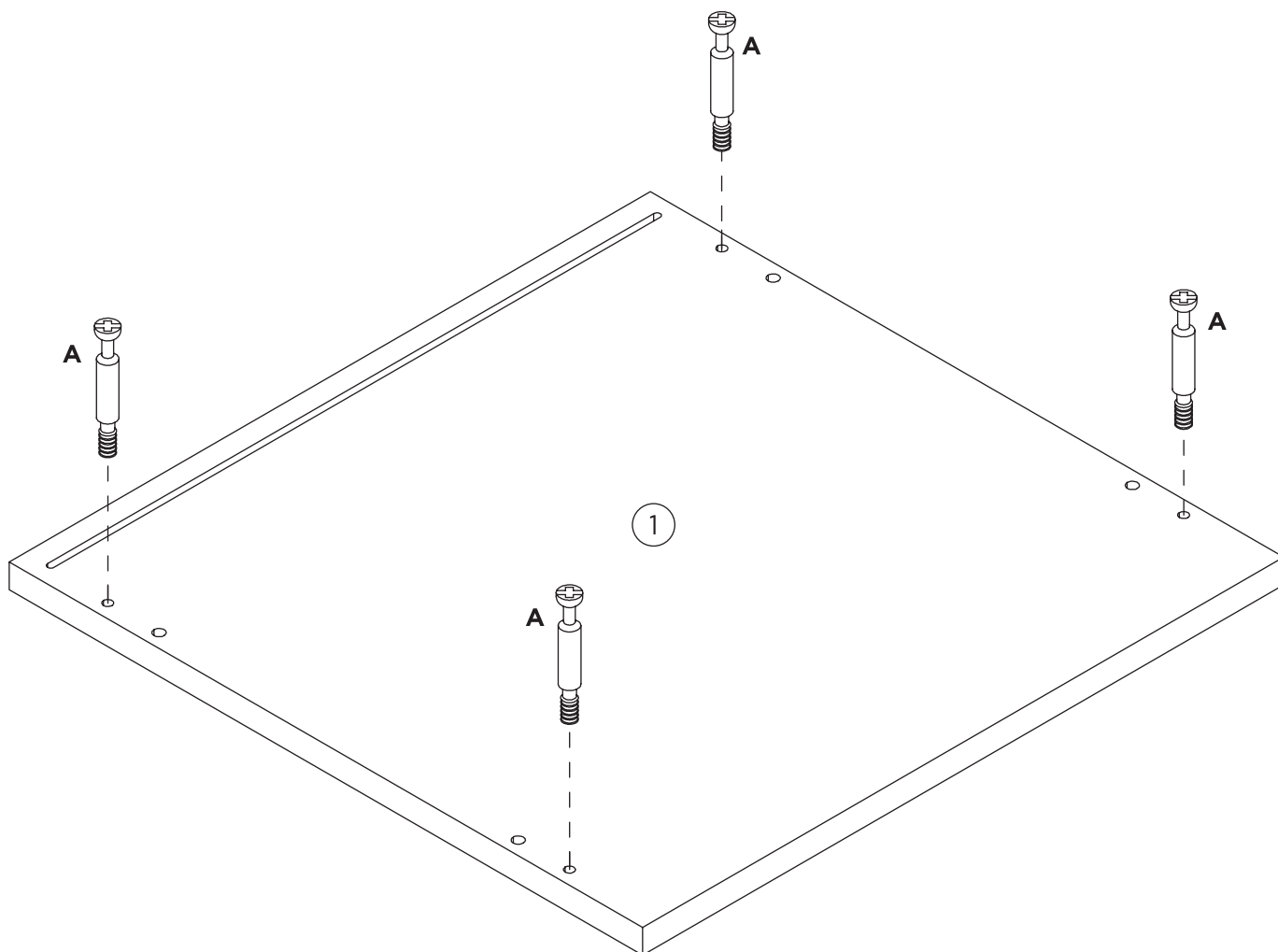
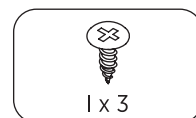
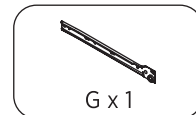
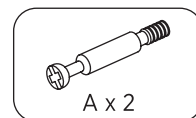
The most common cause of drawers being misaligned is at the drawer assembly and runner installation stage. Please ensure all instructions and screw hole positions are followed as indicated to avoid misaligned drawers.



# ASSEMBLY INSTRUCTIONS

## STEP 7

Insert quickfit screws (A) to part 1, as shown.



# ASSEMBLY INSTRUCTIONS

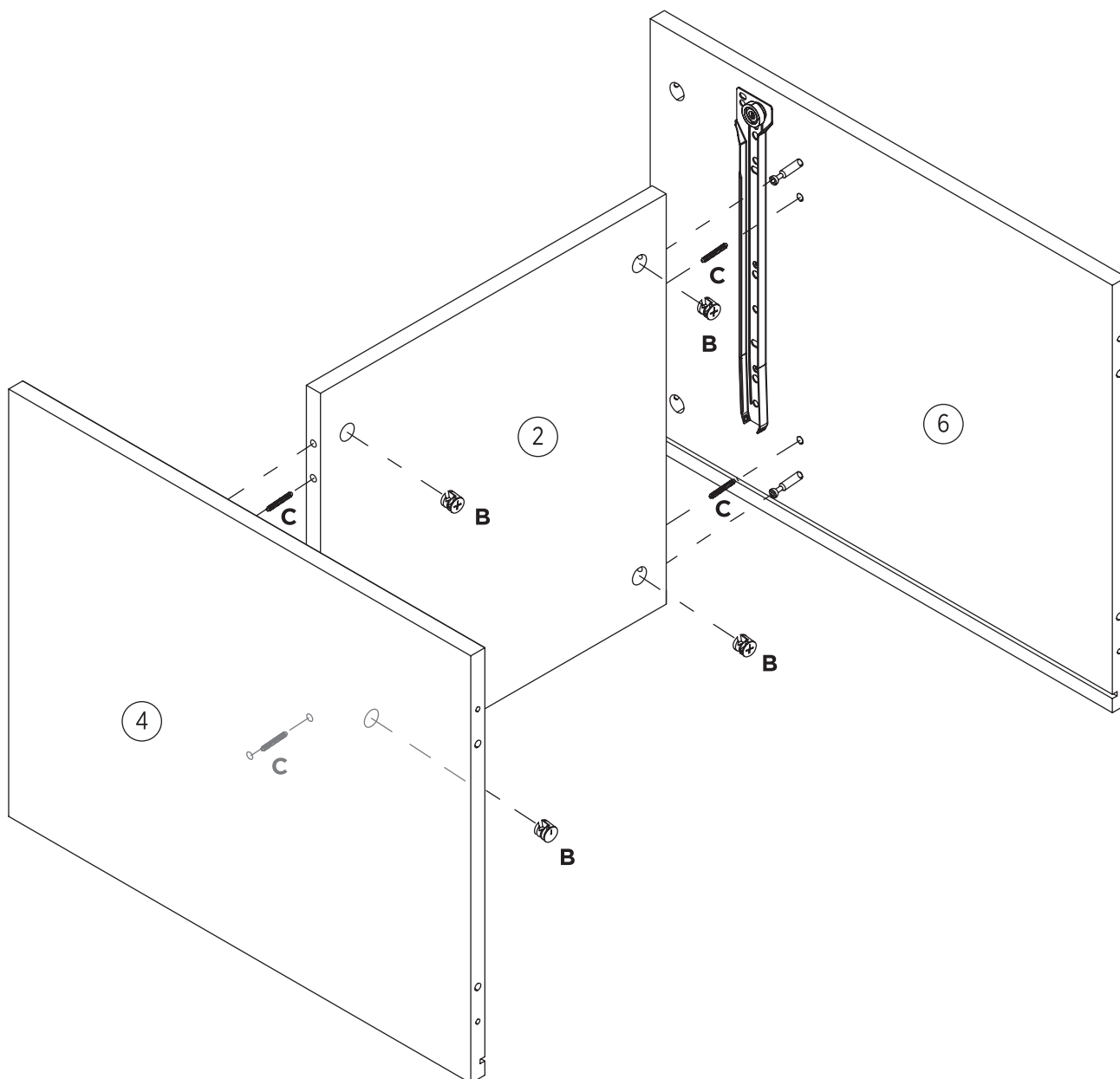
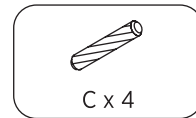
## STEP 8

Insert cam locks (B) to part 2.

Insert wooden dowel (C) into side panels 4 and 6.

Fit side panels 4 and 6 into part 2, as shown.

Turn cam locks clockwise to tighten.



# ASSEMBLY INSTRUCTIONS

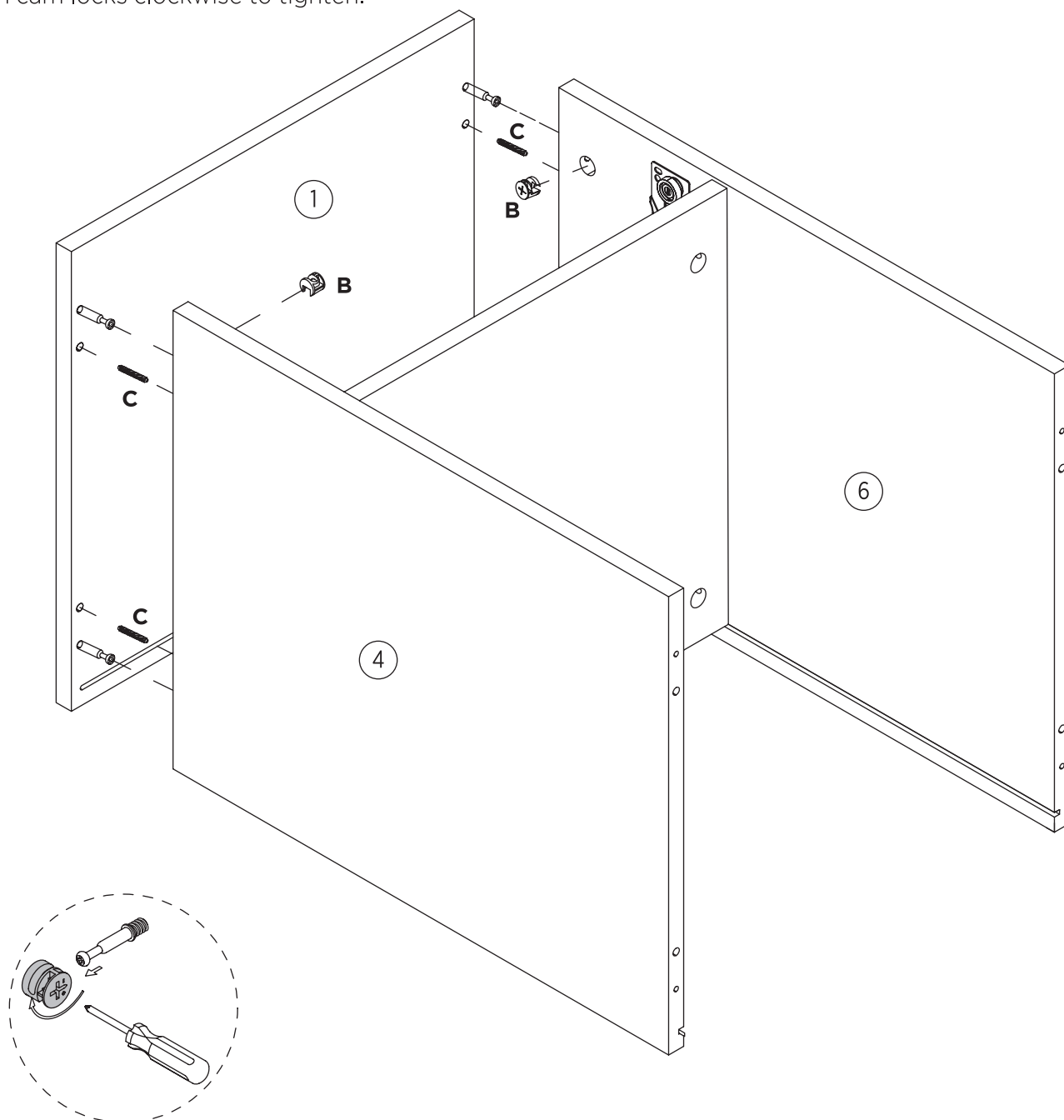
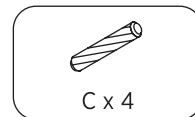
## STEP 9

Insert wooden dowels (C) into side panels 4 and 6.

Insert cam locks (B) to parts 4 and 6.

Fit top panel 1 onto parts 4 and 6, as shown.

Turn cam locks clockwise to tighten.

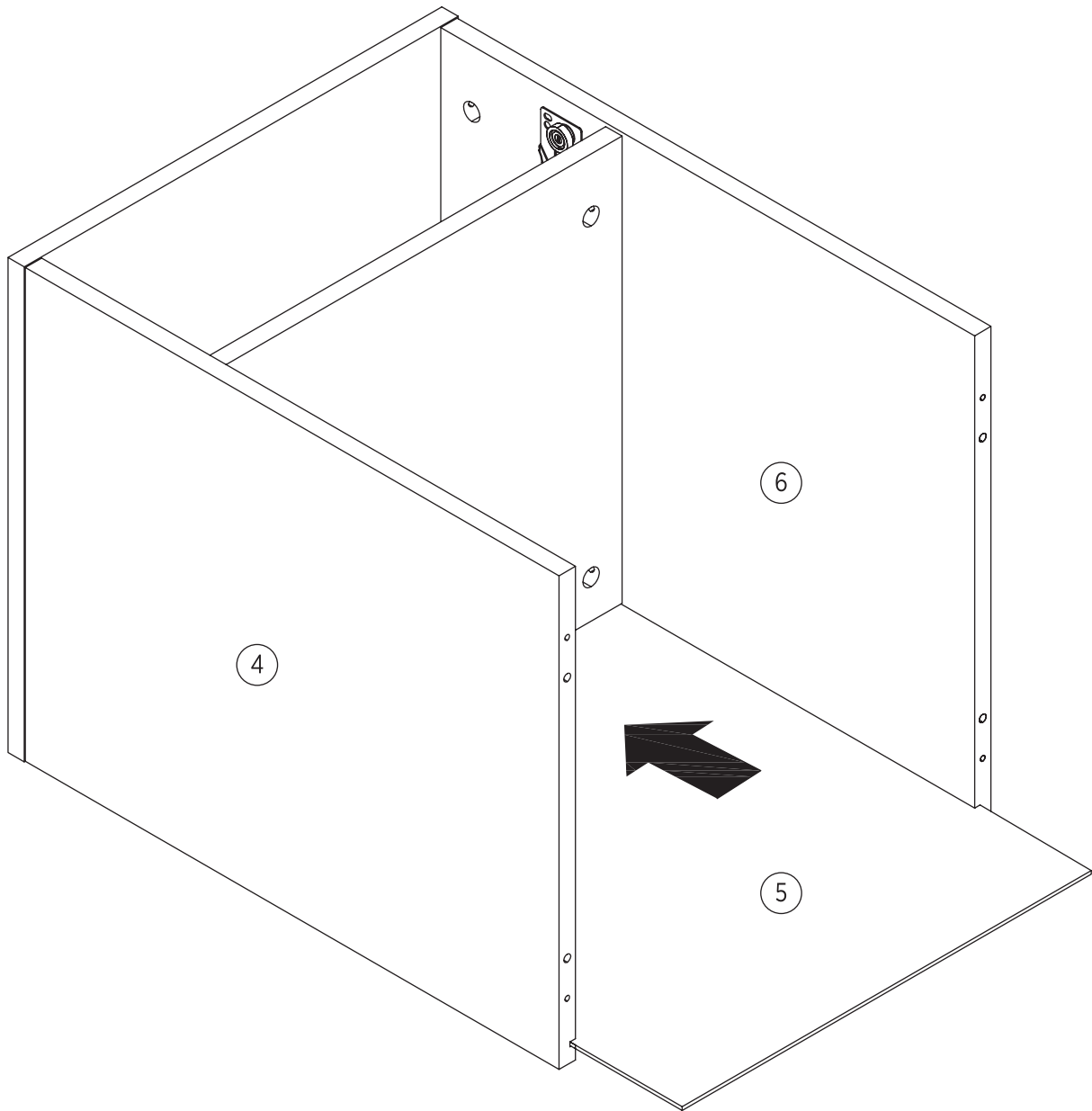


# ASSEMBLY INSTRUCTIONS

---

## STEP 10

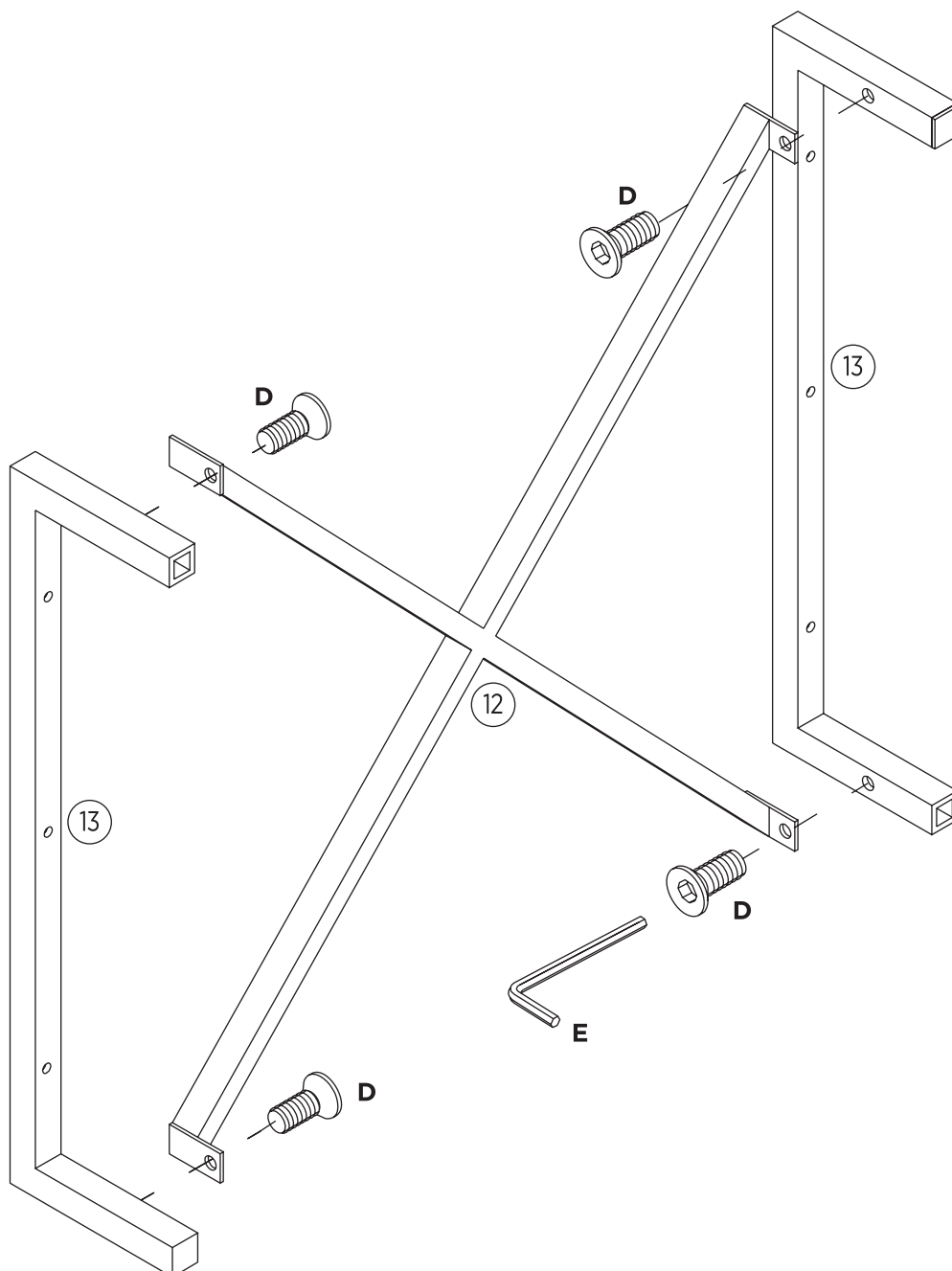
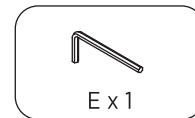
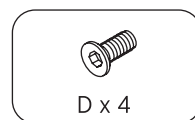
Slide parts 5 in between grooves of parts 4 and 6, as shown, as shown.



# ASSEMBLY INSTRUCTIONS

## STEP 11

Fix parts 13 and 12 together using bolts (D) and allen key (E), as shown.

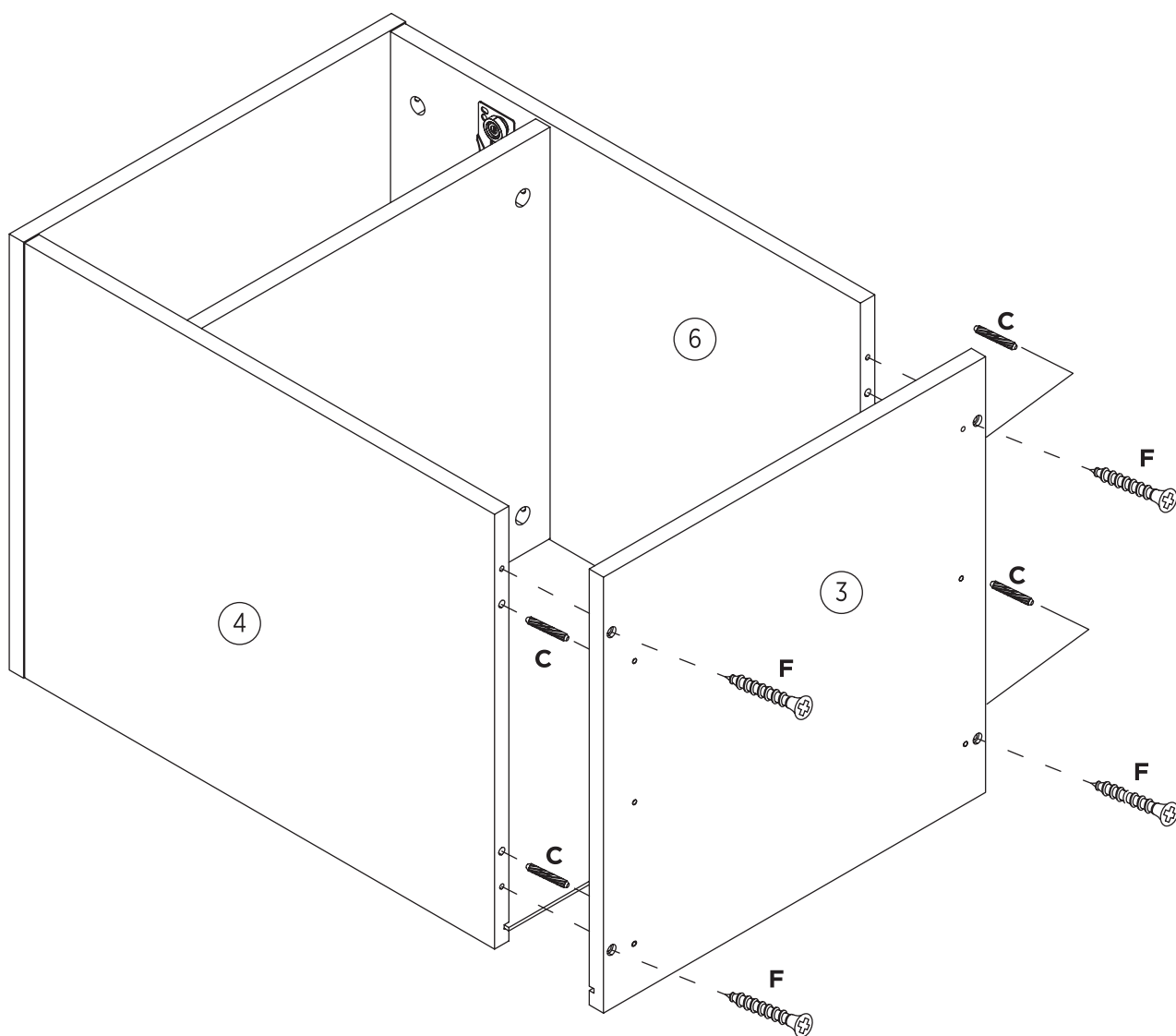
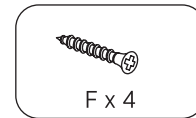
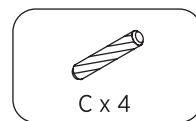


# ASSEMBLY INSTRUCTIONS

## STEP 12

Insert wooden dowels (C) to parts 4 and 6.

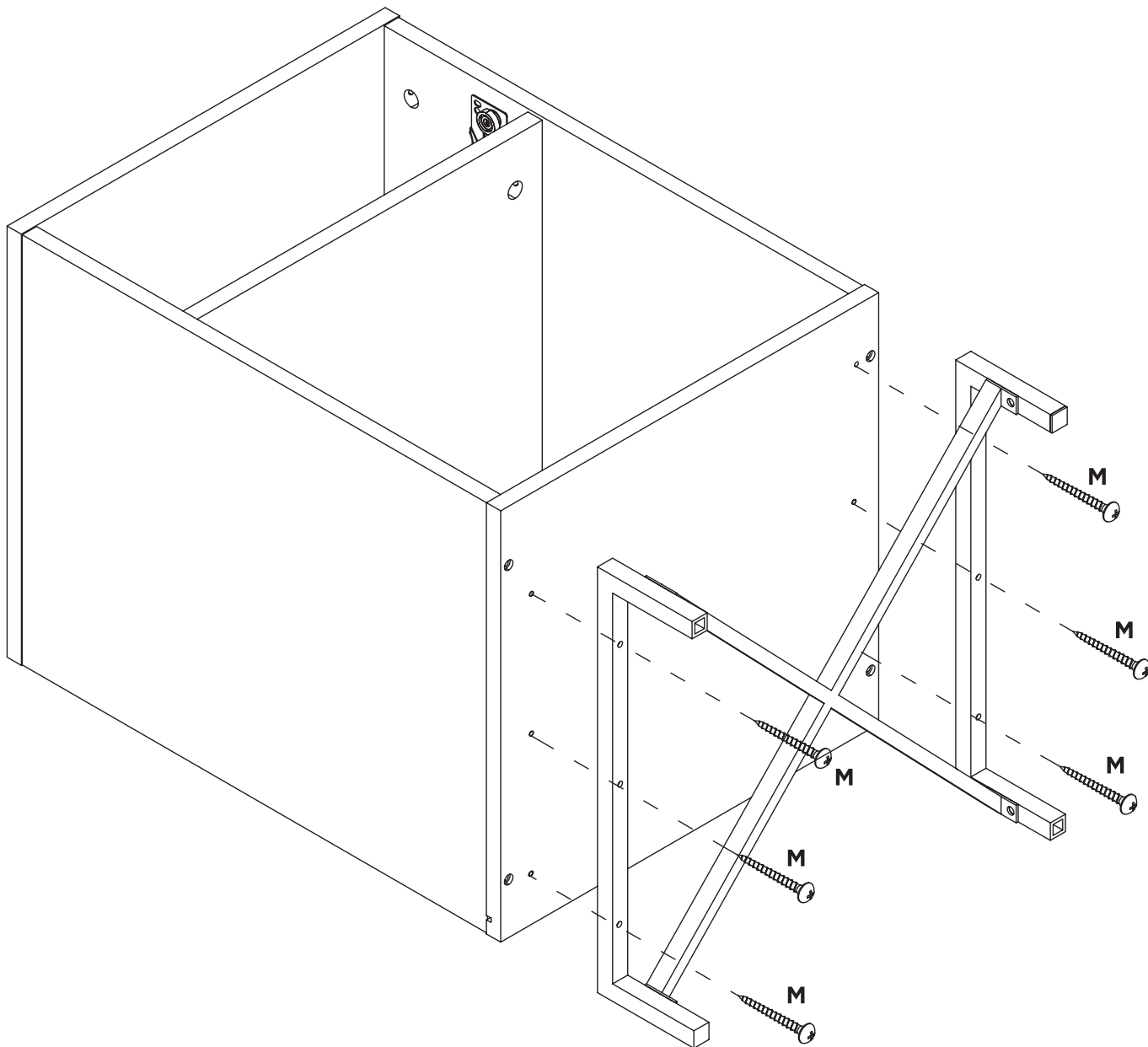
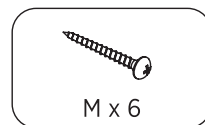
Fit part 3 to assembled unit and secure with screws (F), as shown.



# ASSEMBLY INSTRUCTIONS

## STEP 13

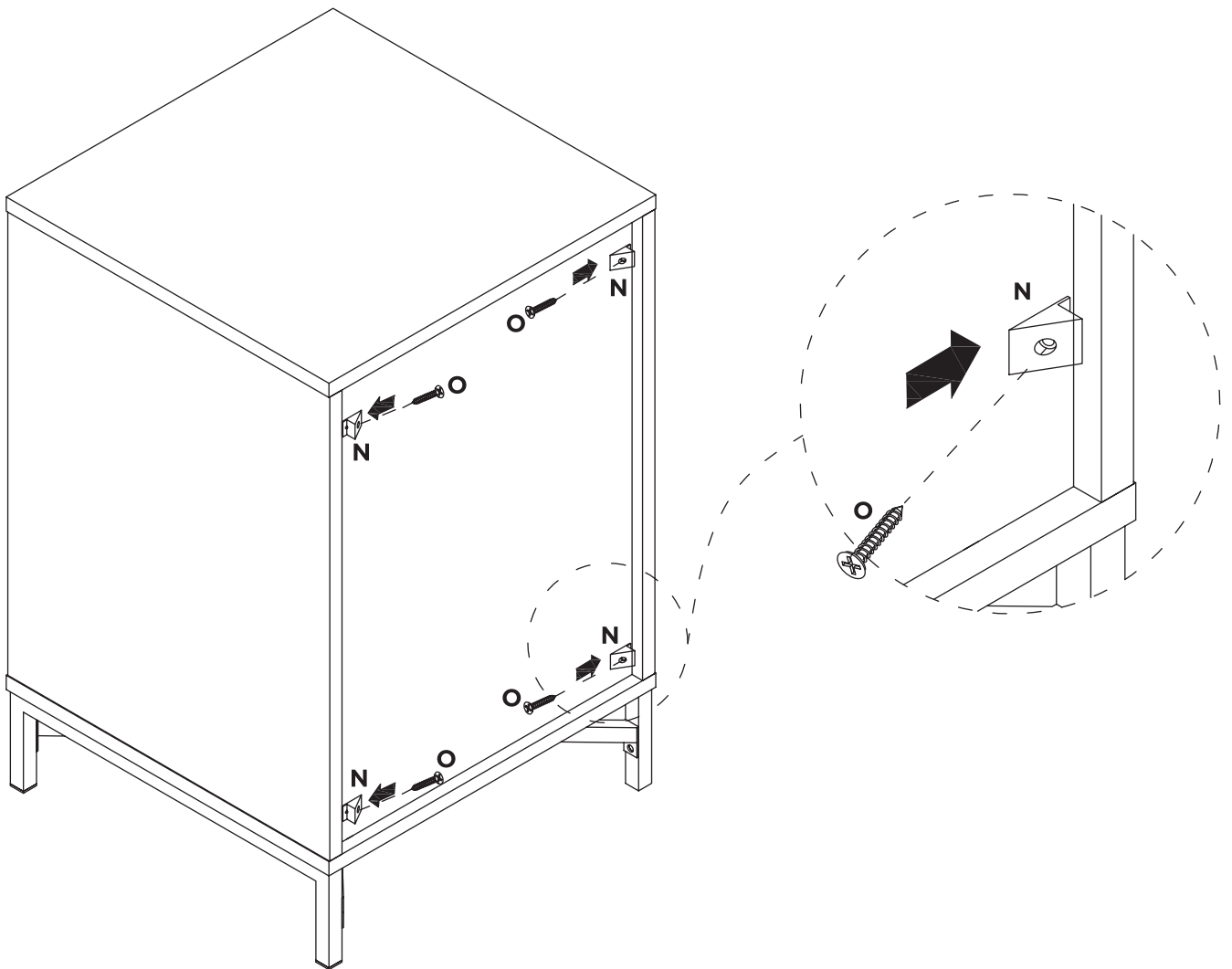
Fix legs to assembled unit using screws (M), as shown.



# ASSEMBLY INSTRUCTIONS

## STEP 14

Secure back panel by fixing wedges (N) to back of unit using screws (O), as shown.

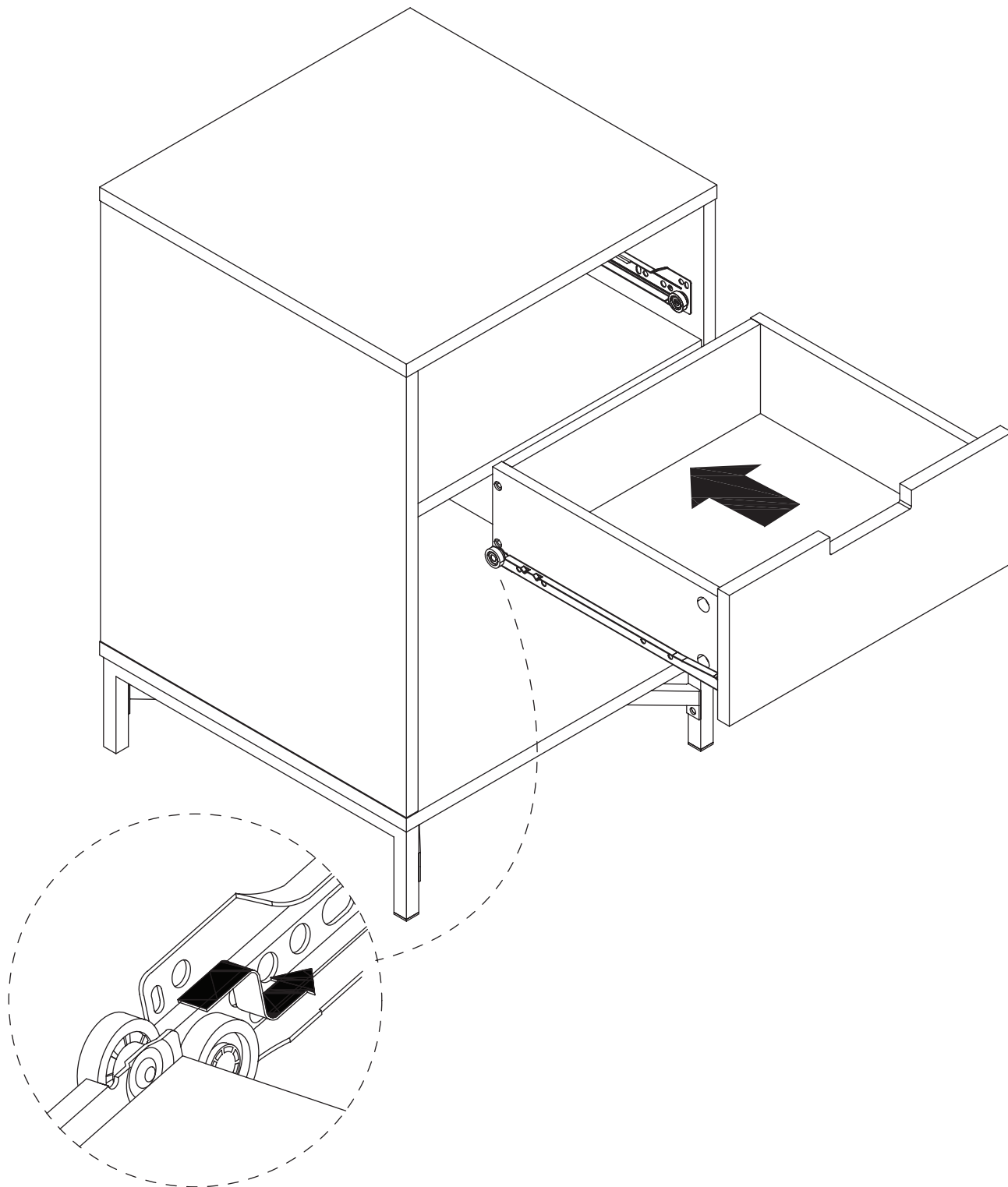


# ASSEMBLY INSTRUCTIONS

---

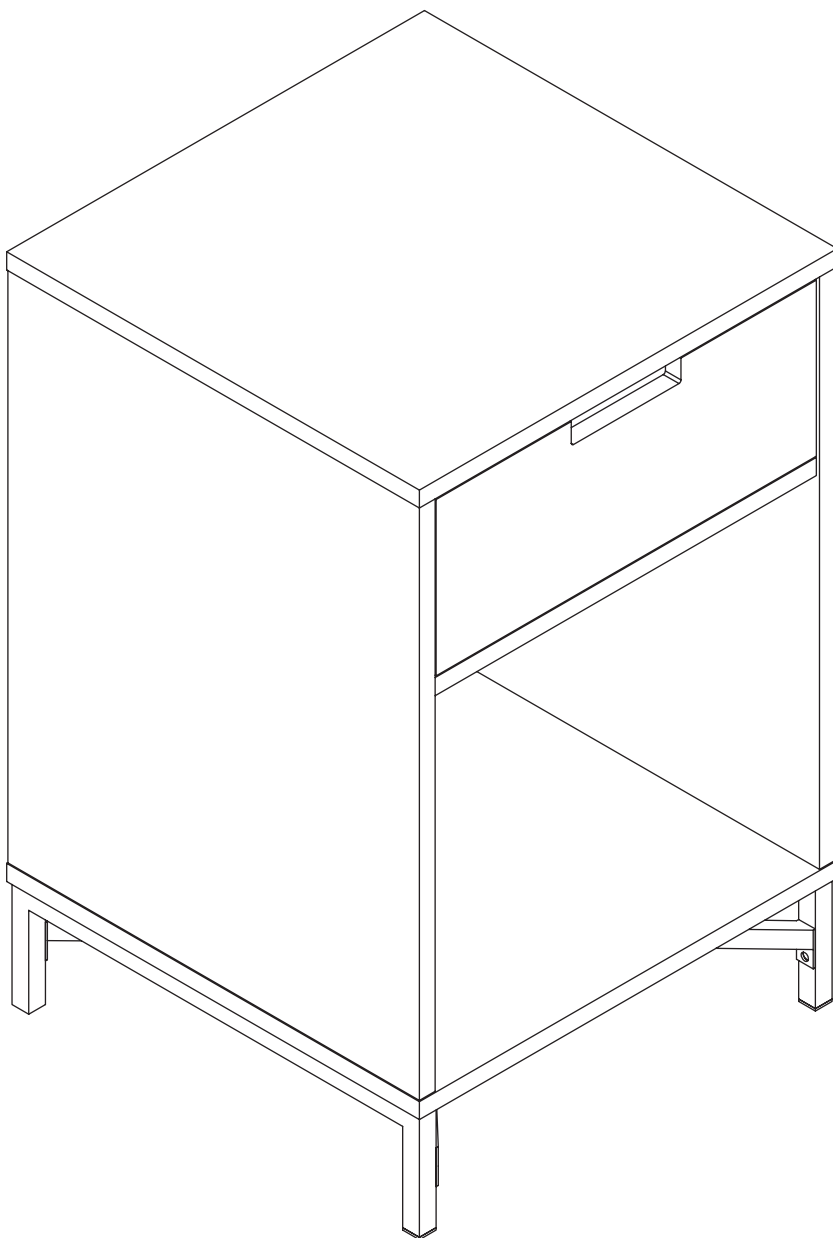
## STEP 15

Slide assembled drawer (step 1) into the bedside table, as shown.



# ASSEMBLY INSTRUCTIONS

## STEP 16



**WARNING**



**Children have died from furniture tipover.**

- ALWAYS secure this furniture with an anchor device.
- NEVER allow children to stand, climb or hang on drawers, doors, or shelves.
- NEVER open more than one drawer at a time.
- Place heavy items down low.

NEVER put a TV on this furniture 

**Please note: the maximum recommended weight is 10kg for top and 5kg for drawer.**

Your Bedside 1 Drawer is ready for use.