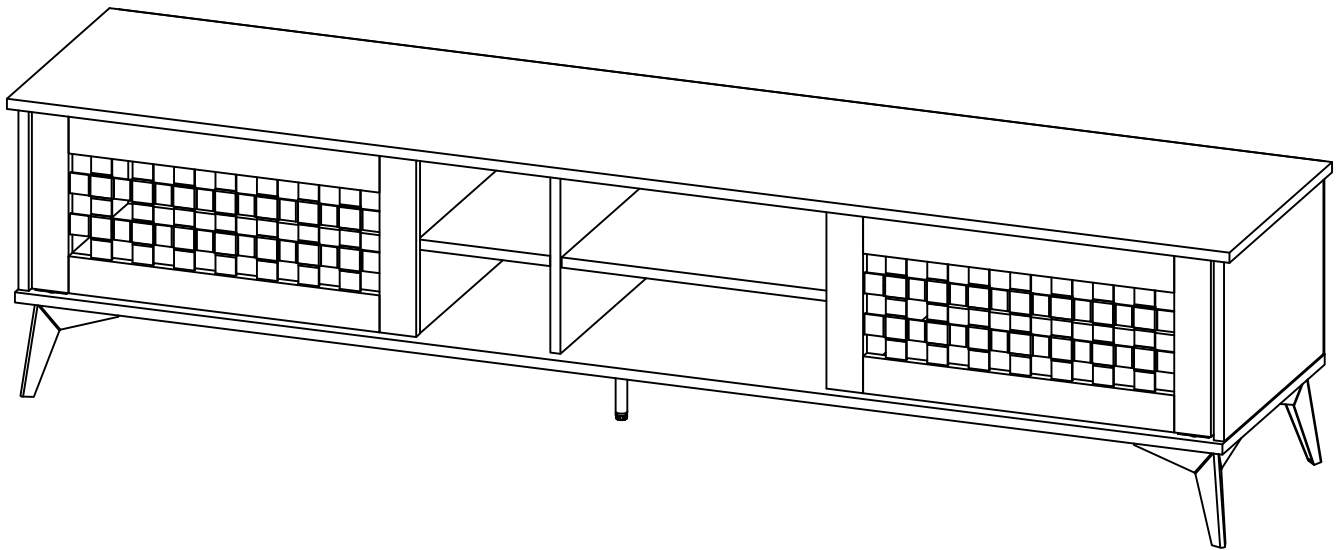


# TV UNIT

## 2 DOORS 180W

### ASSEMBLY INSTRUCTIONS



# TIPS BEFORE YOU START

---

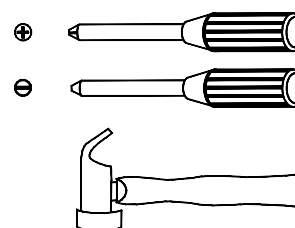
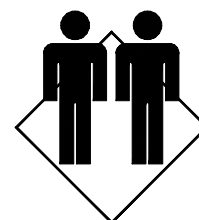
1. Please check that all parts are present before you start the assembly of your furniture.
2. For ease and speed of assembly, we recommend that before you commence each step of the assembly, that you identify all the parts required for that step.
3. For larger items, please ensure that you have sufficient space and people to assemble your product safely.
4. We recommend that, where possible, all items are assembled near to the area in which they will be placed in use, to avoid moving the product unnecessarily once assembled.
5. For the protection of your furniture, we recommend that the product is placed on a protected surface during assembly to prevent any damage.
6. During assembly please take care not to over-tighten any fittings, as this may damage the product. Do not use power tools.
7. Always place the product on a flat, steady and stable surface.
8. Do not stand on the product. Do not use the product as a stepladder.
9. This product is intended for indoor, household use only as it is a non-industrial product.
10. Please use caution and care when lifting the product to avoid personal injury and/or product damage.

## CARE AND MAINTENANCE OF YOUR FURNITURE

- ☑ Please periodically check all fittings and re-tighten as necessary.
- ☑ To clean your item, please use a damp cloth and wipe clean.
- ☑ To clean glass, please use glass cleaner.
- ☑ Never allow any kind of liquid to remain on your furniture. Absorption can cause wood to warp or finishes to de-laminate.
- ☑ Please do not place hot items (eg. hot drinks) directly on to the surface.
- ☑ Please do not drag and pull your furniture.

## ASSEMBLY REQUIREMENTS

- ☑ Equipment: phillips head screwdriver, flat head screwdriver, hammer
- ☑ 2 x adults required
- ☑ 2m x 2m assembly space required
- ☑ 1 hour assembly time approx.



# ANTI-TOPPLING WARNING

## CHILDREN HAVE DIED FORM FURNITURE TIPOVER.

**ALWAYS** secure this furniture with an anchor device

**NEVER** allow children to stand, climb or hang on doors or shelves

**NEVER** open more than one drawer at a time

**NEVER** put a TV on this furniture

Place heavy items down low

**For more infirmation, visit <https://www.productsafety.gov.au>**

 **WARNING**





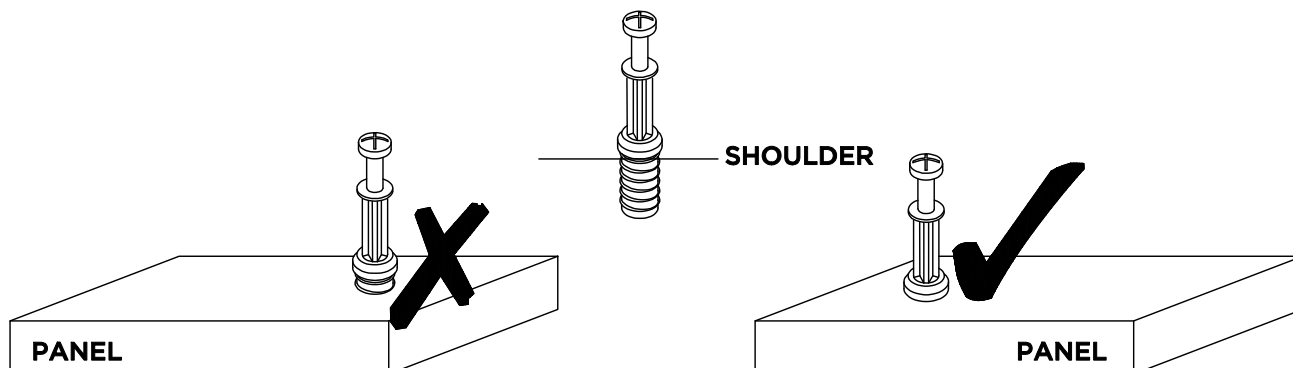
**Children have died from furniture tipover.**

- NEVER allow children to stand, climb or hang on drawers, doors, or shelves.
- ALWAYS secure your television with an anchor device or mount the television on a wall.

# USING CAM LOCK AND QUICKFIT

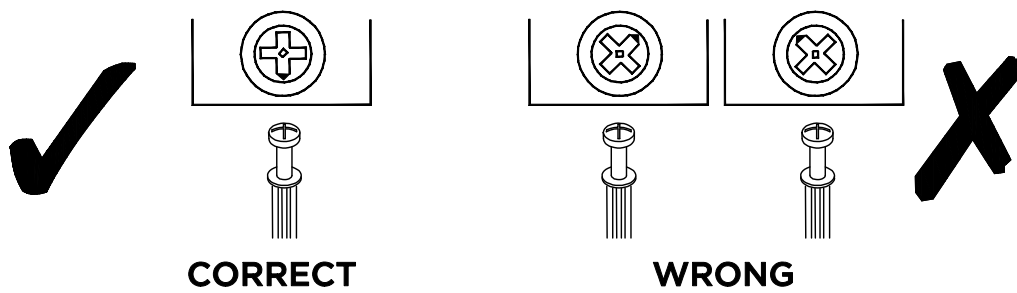
## QUICKFIT

Tighten quickfit until shoulder is flush with panel. Do not overtighten or undertighten.



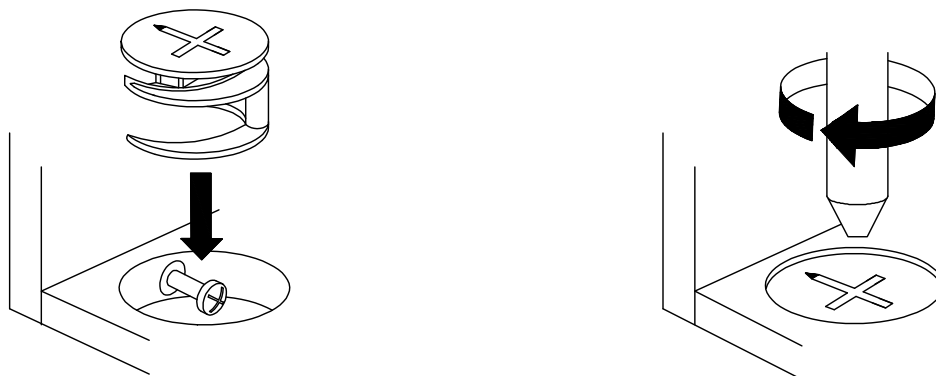
## CAM LOCK

When fitting cam lock, ensure starting position is correct before you insert connecting quickfit.



Quickfit head should be in the centre of the cam lock when the two panels are joined.  
Cam lock should be inserted before quickfit.

Turn cam lock clockwise to tighten.

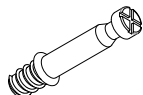


# HARDWARE LIST

---



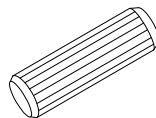
10 x A  
Cam Lock



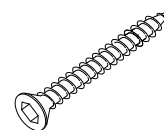
10 x B  
Quickfit Screw



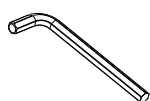
10 x C  
Cam Lock Cover



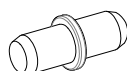
20 x D  
Wooden Dowel



10 x E  
Screw



1 x F  
Allen Key



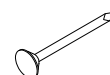
8 x G  
Metal Shelf  
Support



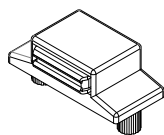
10 x H  
Screw



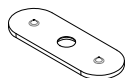
28 x I  
Screw



21 x J  
Nail



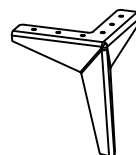
2 x K  
Door Magnet



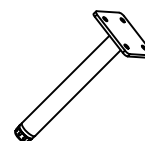
2 x L  
Door Support



4 x M  
Door Stopper

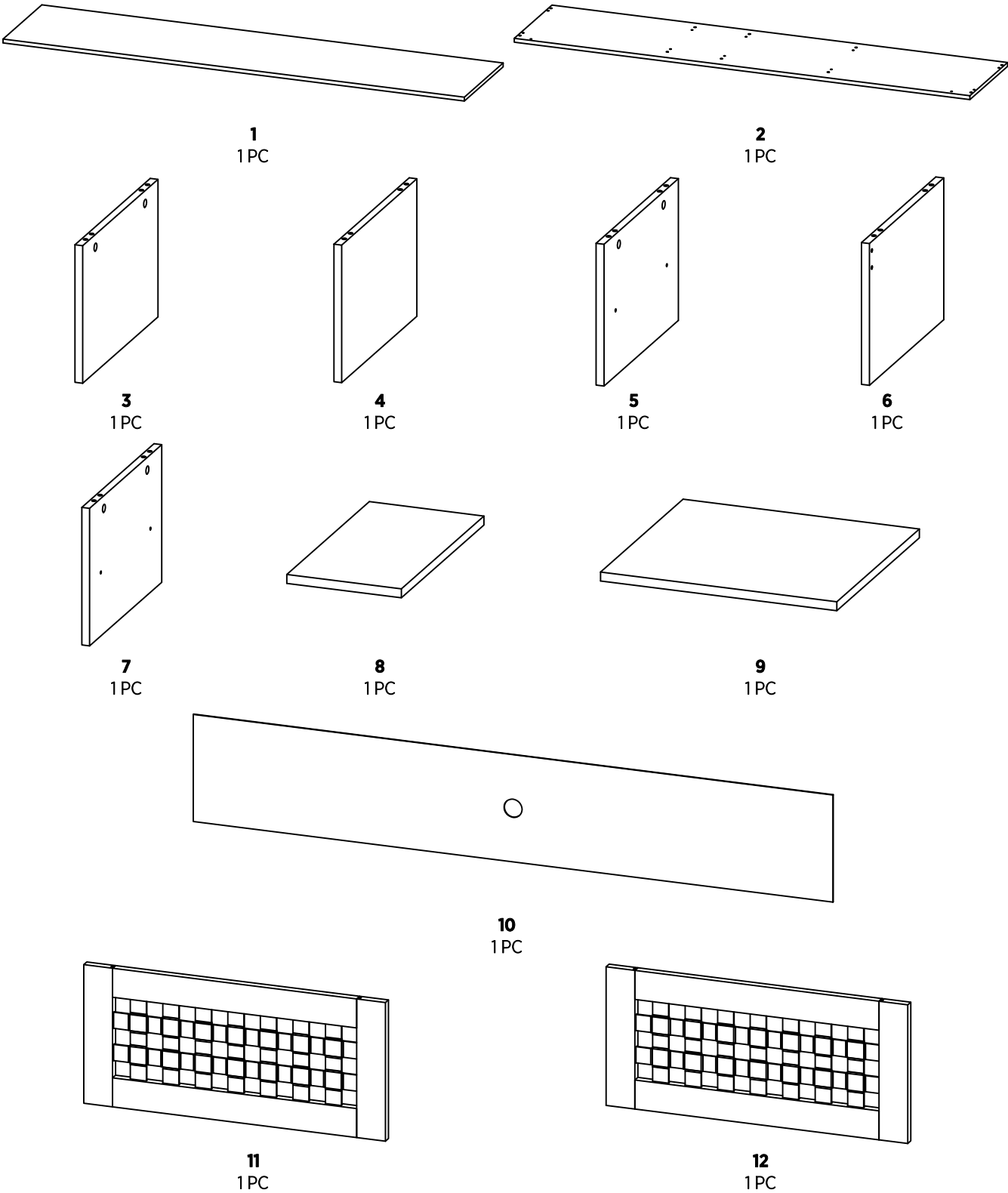


4 x N  
Leg



1 x O  
Center Leg

# PARTS LIST

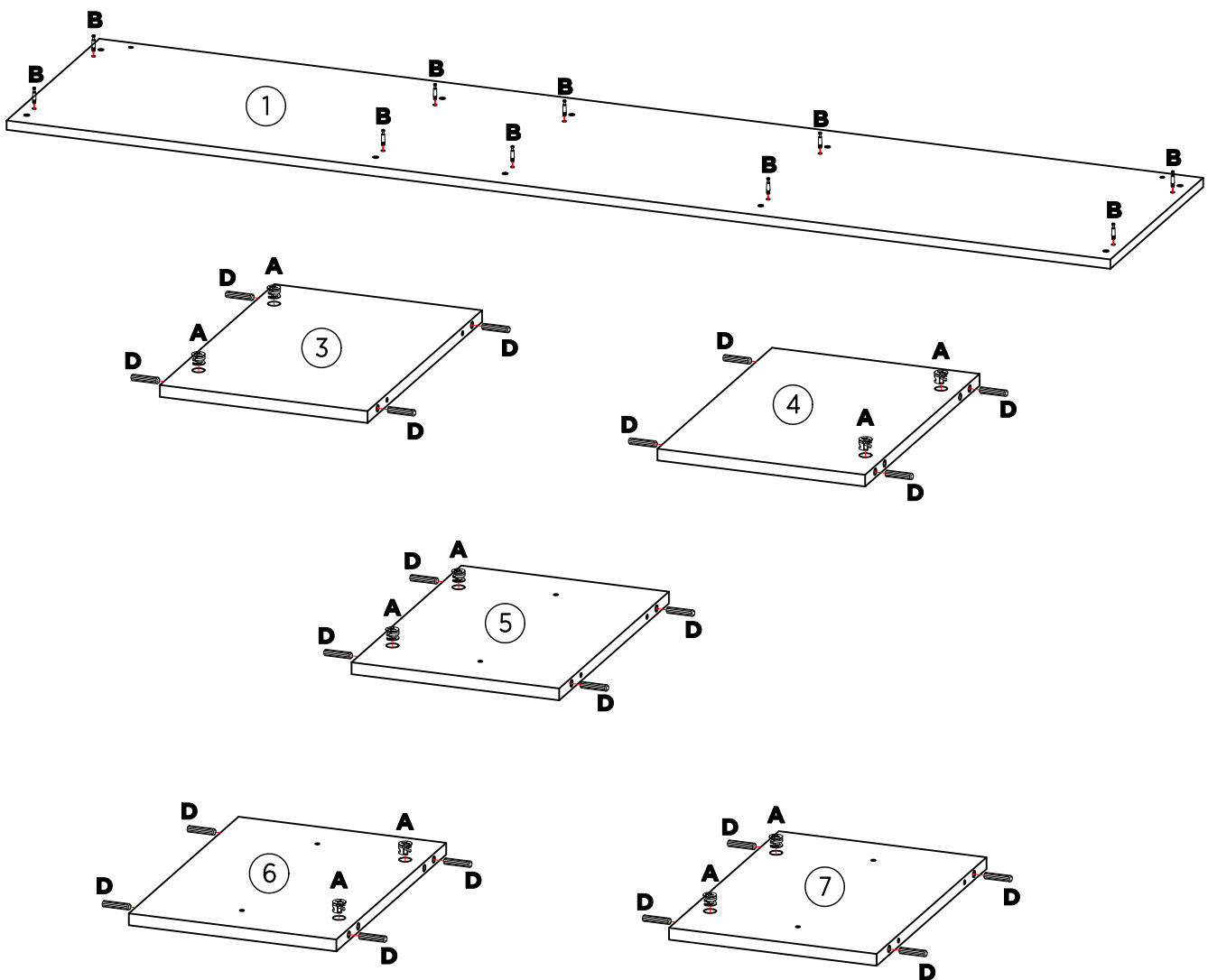
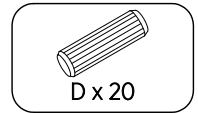
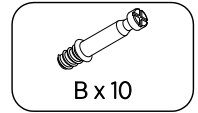
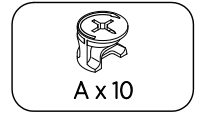


# ASSEMBLY INSTRUCTIONS

## STEP 1

Insert cam locks (A) and wooden dowels (D) to parts 3, 4, 5, 6 and 7.

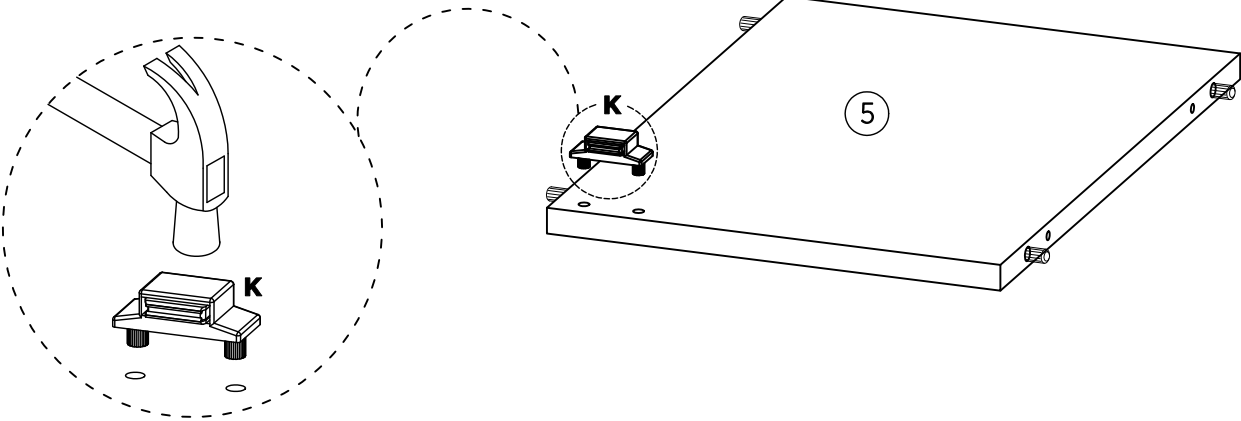
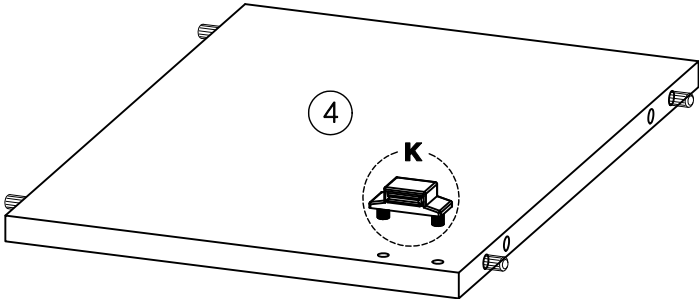
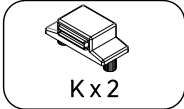
Insert quickfit screws (B) to part 1, as shown.



# ASSEMBLY INSTRUCTIONS

## STEP 2

Fix door magnet (K) to parts 4 and 5, as shown.



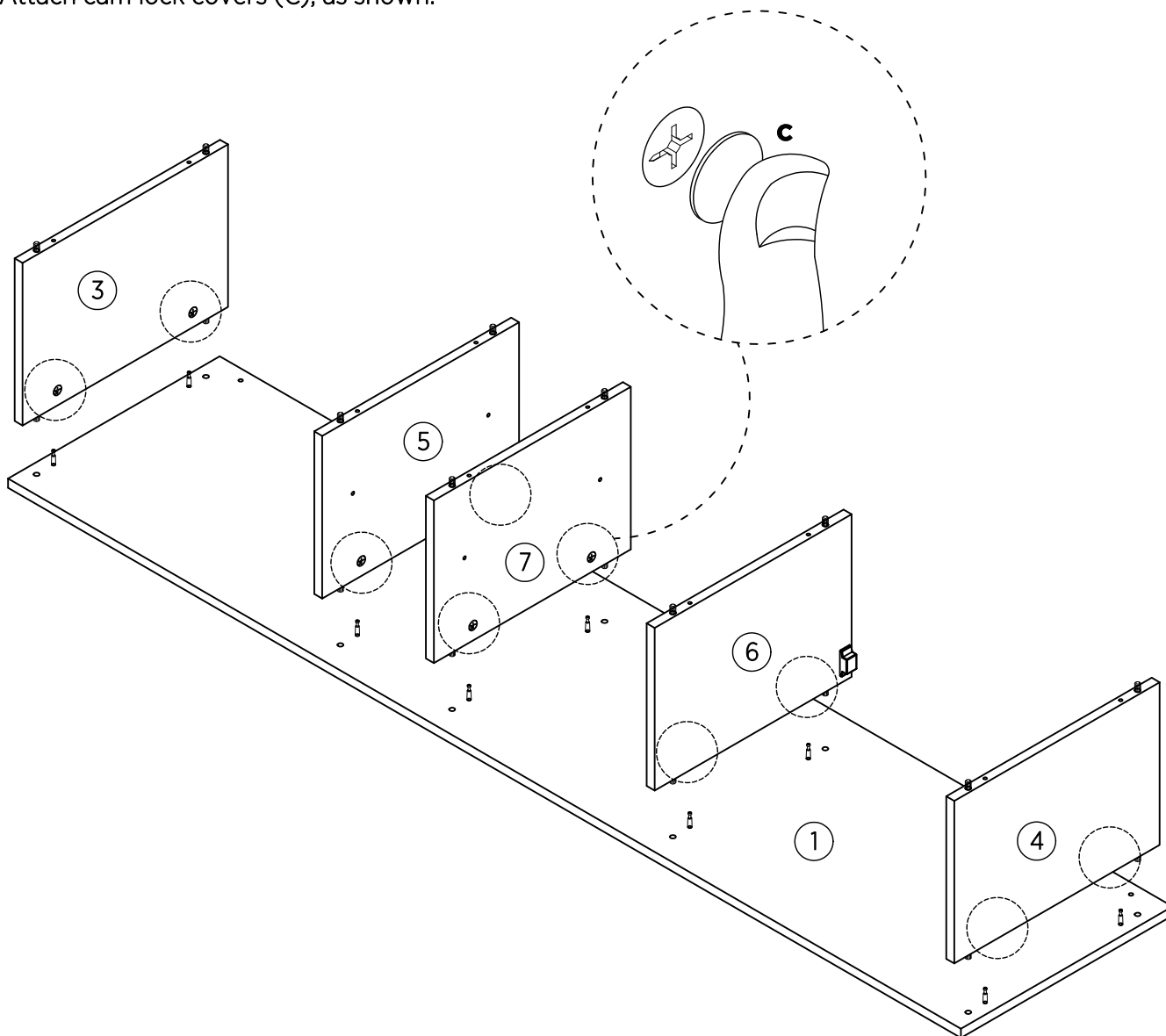
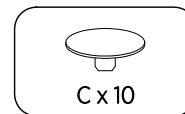
# ASSEMBLY INSTRUCTIONS

## STEP 3

Attach part 1 to parts 3, 4, 5, 6 and 7.

Turn cam locks clockwise to tighten.

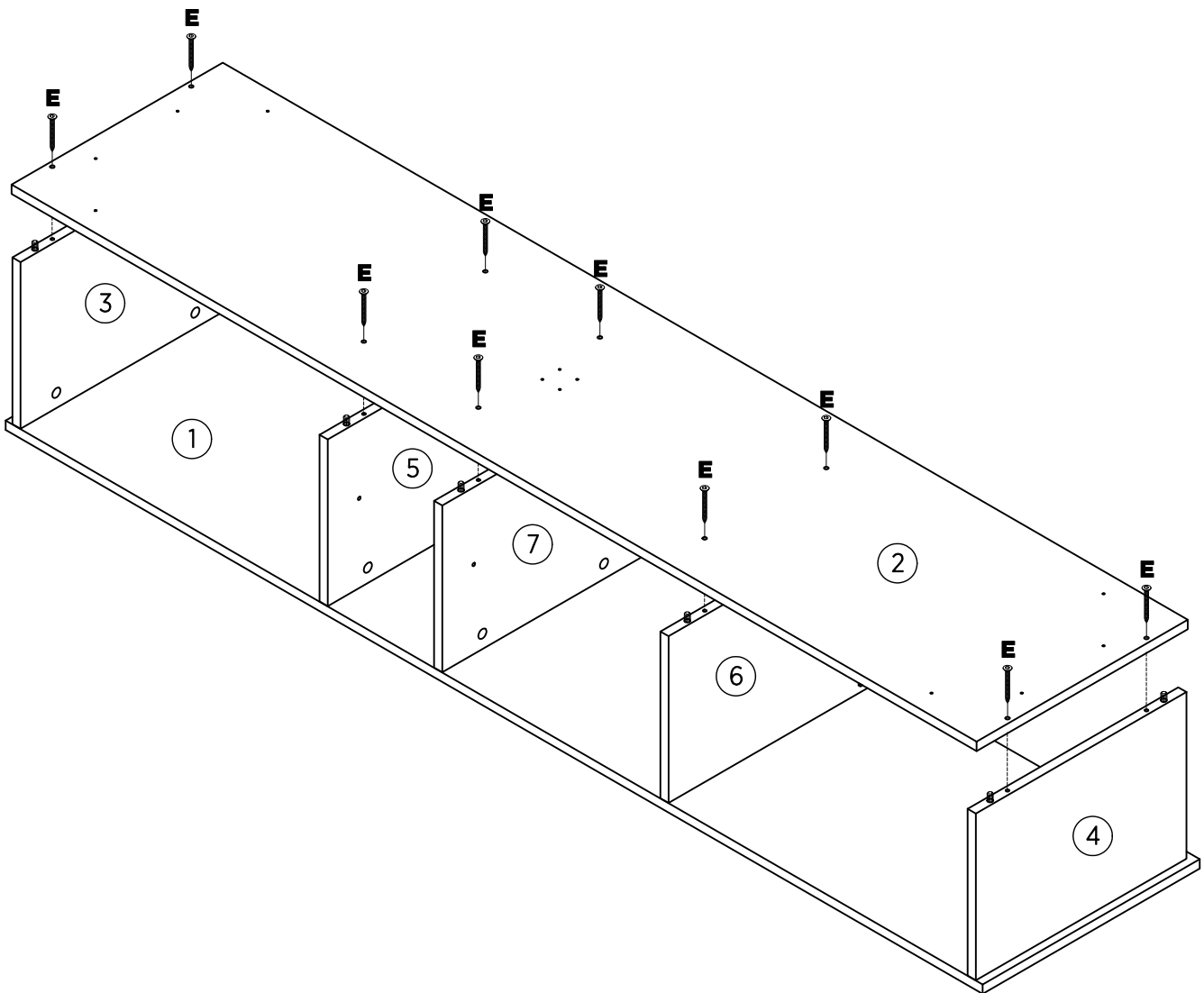
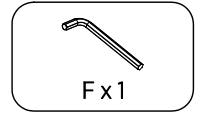
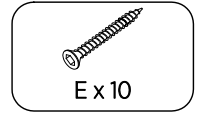
Attach cam lock covers (C), as shown.



# ASSEMBLY INSTRUCTIONS

## STEP 4

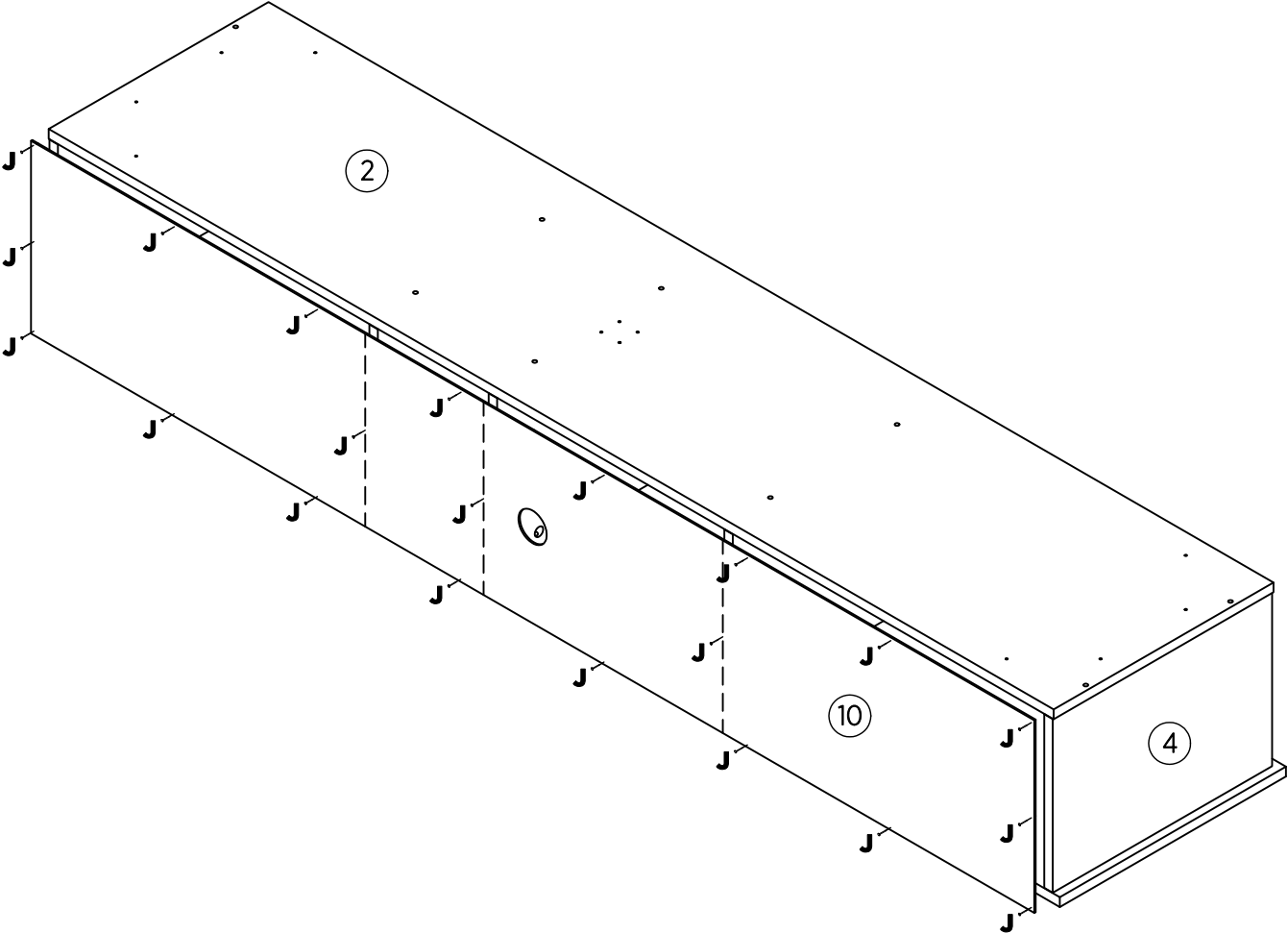
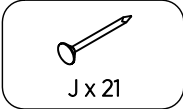
Fix part 2 to parts 3, 4, 5, 6 and 7 using screws (E) and allen key (F), as shown.



# ASSEMBLY INSTRUCTIONS

## STEP 5

Fix part 10 to parts 1, 2, 3, 4, 5, 6 and 7 using nails (J), as shown.

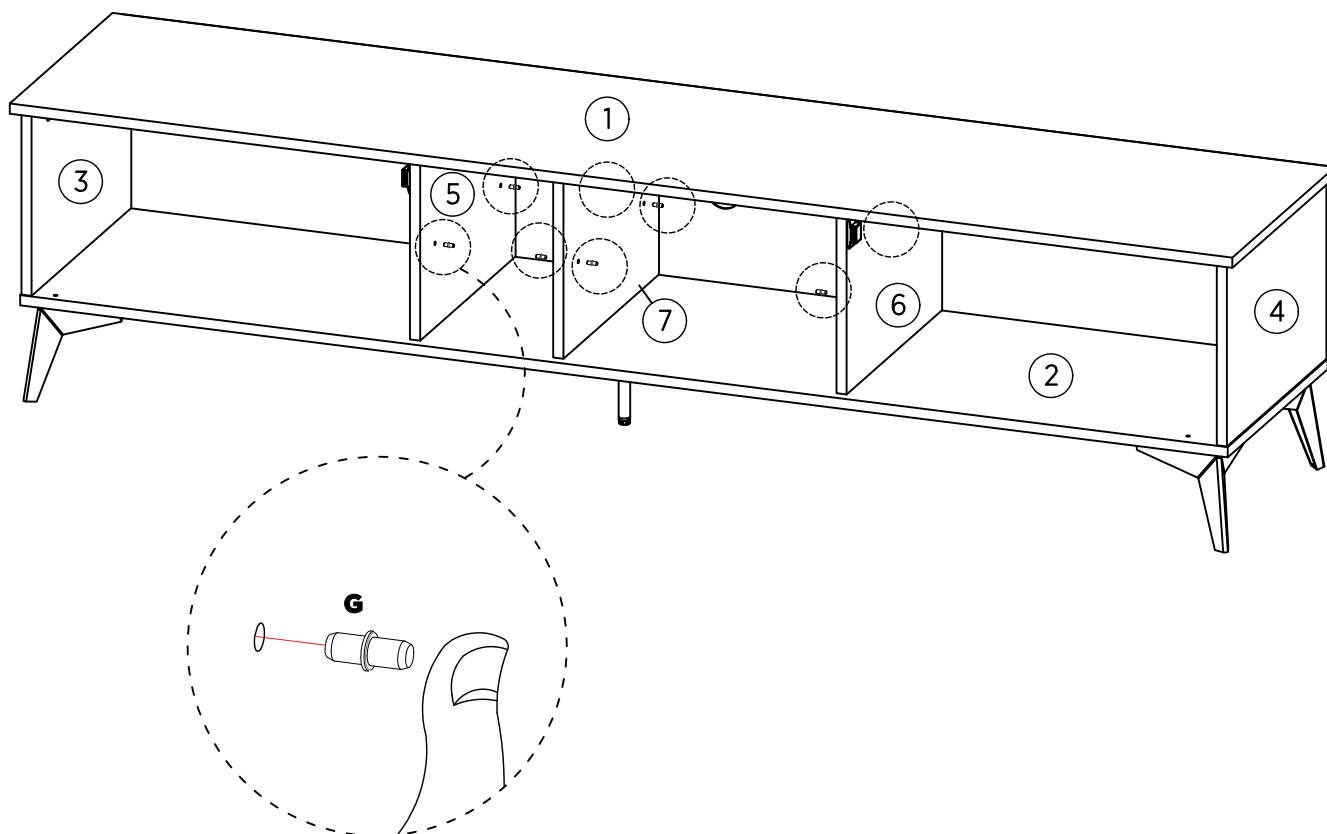
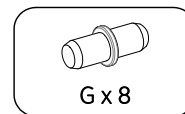




# ASSEMBLY INSTRUCTIONS

## STEP 7

Insert shelf pins (G) to parts 5, 6 and 7, as shown.

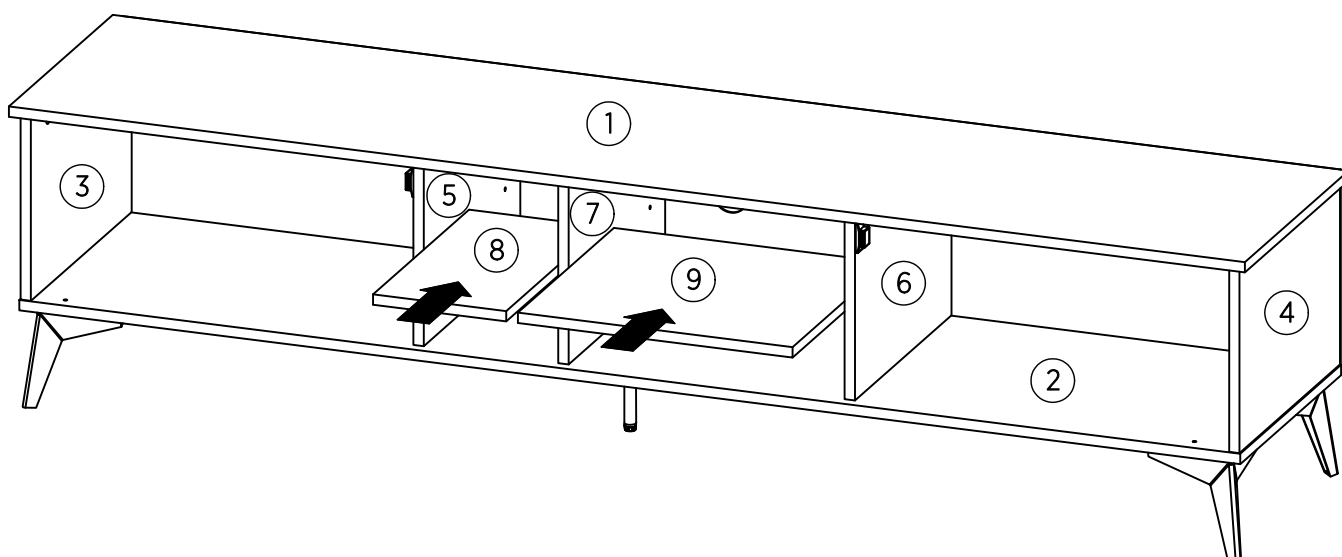


# ASSEMBLY INSTRUCTIONS

---

## STEP 8

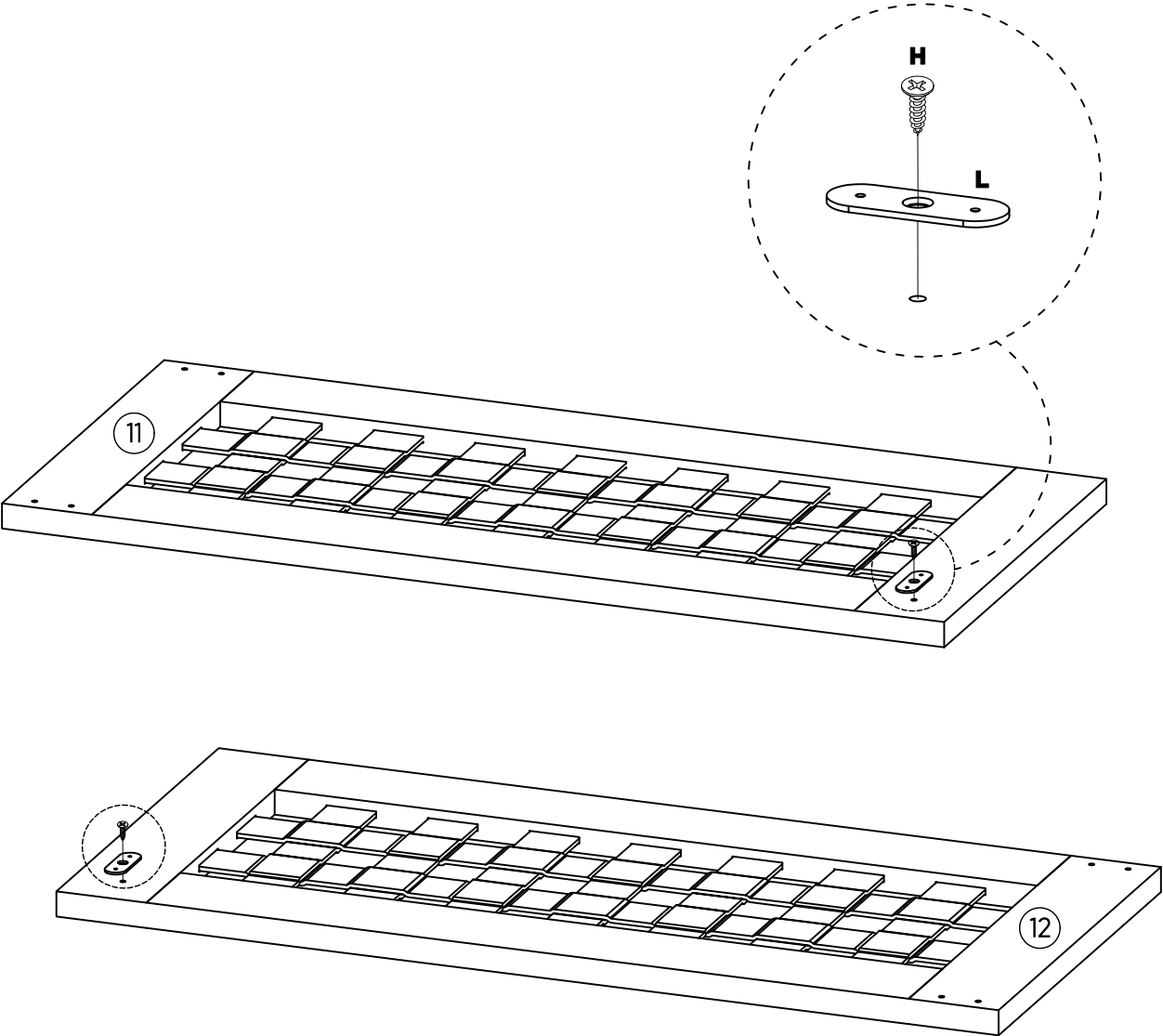
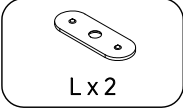
Insert shelves 8 and 9 to assembled unit, as shown.



# ASSEMBLY INSTRUCTIONS

## STEP 9

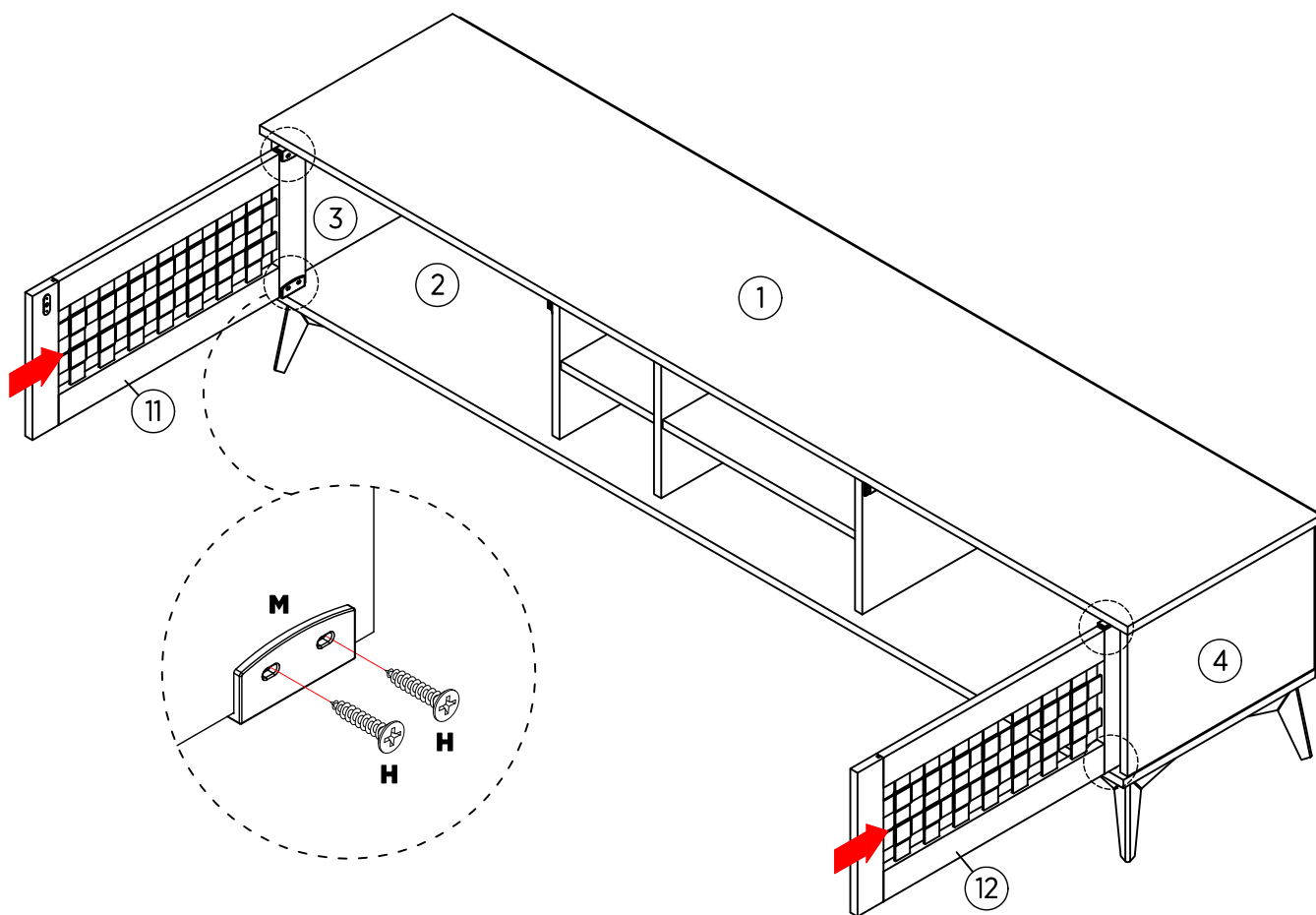
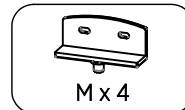
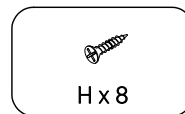
Fix door support (L) to parts 11 and 12 using screws (H), as shown.



# ASSEMBLY INSTRUCTIONS

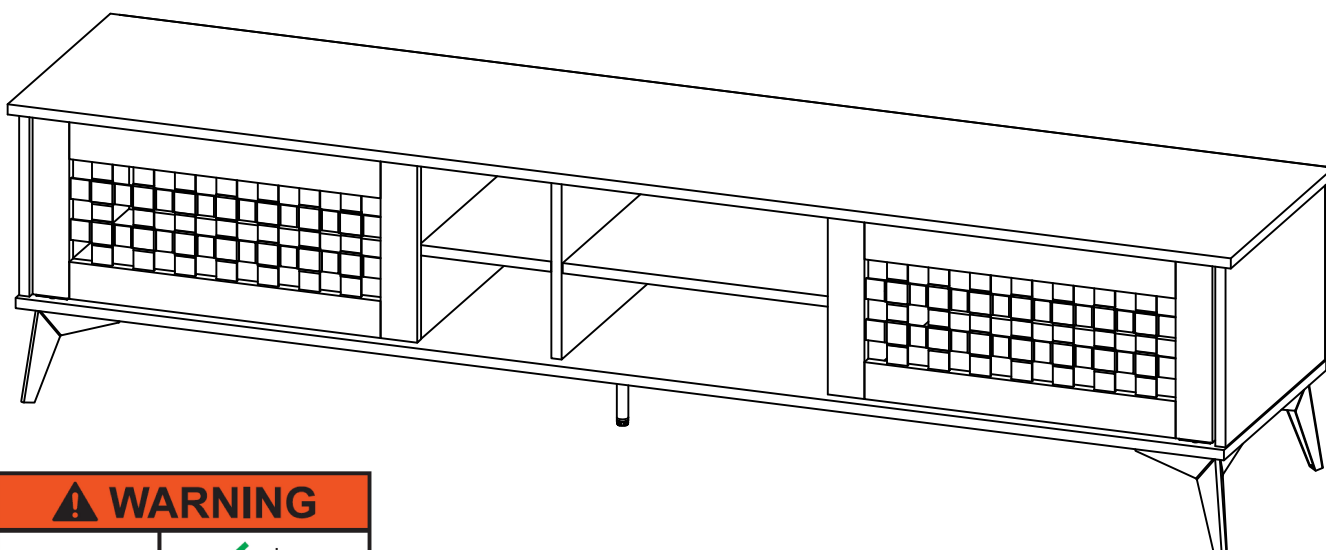
## STEP 10

Fix door stopper (M) into parts 11 and 12 using screws (H), as shown.



# ASSEMBLY INSTRUCTIONS

## STEP 11



**⚠ WARNING**



**Children have died from furniture tipover.**

- NEVER allow children to stand, climb or hang on drawers, doors, or shelves.
- ALWAYS secure your television with an anchor device or mount the television on a wall.

**Maximum recommended weight is 25 kg on top, 5 kg on each shelf.**

Your product is ready for use.